



**TEREX®**

# **Master Part Manual**

## **Compact Track Loader**

**PT-70 (Sunbelt)**

Part Number: 2046-330  
Printed (10-10)

# Table of Contents

<b>1. Cab (R.O.P.S.) Assembly</b>		<b>18. Undercarriage Assembly (LT)</b>	
Serial # DTH 00682-Current* . . . . .	<b>1-A</b>	Serial # DTH 00682-00719 . . . . .	<b>18-A</b>
		Serial # DTH 00720-Current* . . . . .	<b>18-B</b>
<b>2. Cab Interior Assembly</b>		<b>19. Drive Table Assembly (RT)</b>	
Serial # DTH 00682-Current* . . . . .	<b>2-A</b>	Serial # DTH 00682-Current* . . . . .	<b>19-A</b>
<b>3. Cab Door Assembly (Optional)</b>		<b>20. Drive Table Assembly (LT)</b>	
Serial # DTH 00682-Current* . . . . .	<b>3-A</b>	Serial # DTH 00682-Current* . . . . .	<b>20-A</b>
<b>4. Enclosed Cab (R.O.P.S.) Assembly (Optional)</b>		<b>21. Lift Arm Assembly</b>	
Serial # DTH 00682-Current* . . . . .	<b>4-A</b>	Serial # DTH 00682-Current* . . . . .	<b>21-A</b>
<b>5. Chassis Assembly</b>		<b>22. Lift Arm Tubes and Fittings</b>	
Serial # DTH 00682-Current* . . . . .	<b>5-A</b>	Serial # DTH 00682-Current* . . . . .	<b>22-A</b>
<b>6. Hood Assembly</b>		<b>23. Quick Attach Assembly</b>	
Serial # DTH 00682-Current* . . . . .	<b>6-A</b>	Serial # DTH 00682-Current* . . . . .	<b>23-A</b>
<b>7. Radiator/Oil Cooler Assembly</b>		<b>24. Hydraulic Quick Attach Assembly</b>	
Serial # DTH 00682-Current* . . . . .	<b>7-A</b>	Serial # DTH 00682-Current* . . . . .	<b>24-A</b>
<b>8. Hydraulic Reservoir Assembly</b>		<b>25. Air Conditioning Assemblies (Optional)</b>	
Serial # DTH 00682-Current* . . . . .	<b>8-A</b>	Serial # DTH 00682-Current* . . . . .	<b>25-A</b>
<b>9. Hydraulic Control Assembly</b>		<b>26. Cab Heater Assembly (Optional)</b>	
Serial # DTH 00682-Current* . . . . .	<b>9-A</b>	Serial # DTH 00682-Current* . . . . .	<b>26-A</b>
<b>10. Lift Arm Control Valve Assembly</b>			
Serial # DTH 00682-Current* . . . . .	<b>10-A</b>		
<b>11. Hyd. Drive/Auxiliary Pump Assembly</b>			
Serial # DTH 00682-Current* . . . . .	<b>11-A</b>		
<b>12. Pilot Generation Block</b>			
Serial # DTH 00682-Current* . . . . .	<b>12-A</b>		
<b>13. Engine Assembly</b>			
Serial # DTH 00682-Current* . . . . .	<b>13-A</b>		
<b>14. Intake/Exhaust Assemblies</b>			
Serial # DTH 00682-Current* . . . . .	<b>14-A</b>		
<b>15. Fuse Panel Assembly</b>			
Serial # DTH 00682-Current* . . . . .	<b>15-A</b>		
<b>16. Torsion Axle Assembly</b>			
Serial # DTH 00682-Current* . . . . .	<b>16-A</b>		
<b>17. Undercarriage Assembly (RT)</b>			
Serial # DTH 00682-00719 . . . . .	<b>17-A</b>		
Serial # DTH 00720-Current* . . . . .	<b>17-B</b>		

\* Current refers to the machines being produced at the time this manual was printed. See manual cover for print date.

## GENERAL SERVICE ITEMS & LUBRICANTS

<u>ITEM</u>	<u>MANUFACTURER/DESCRIPTION</u>	<u>PART NUMBER</u>
-Engine Oil Filter	Perkins (MP10169)	2045-752
-Primary Air Filter	Donaldson (P601437)	0403-003
-Secondary Air Filter	Donaldson (P601476)	0403-004
-Diesel Fuel Filter	Perkins (MP10326)	2045-218
-Fan Belt	Perkins (MP10209)	2045-751
-A/C Belt	Gates (9390HD)	2045-793
-Antifreeze/Coolant (1 gal.)	Ethylene Glycol (long life)	0300-766
-Antifreeze/Coolant (Case/6 gal.)	Ethylene Glycol (long life)	0402-841
-Engine Oil (1 qt.)	Multi-Grade 10W-30	0300-767
-Engine Oil (Case/12 qt.)	Multi-Grade 10W-30	0402-838
-Engine Oil (1 gal.)	Multi-Grade 10W-30	0402-839
-Engine Oil (Case/6 gal.)	Multi-Grade 10W-30	0402-840
-Grease (1 Tube)	Multi-Purpose Lithium	0300-769
-Grease (Box/10 Tubes)	Multi-Purpose Lithium	0402-844
-Grease (Case/40 Tubes)	Multi-Purpose Lithium	0402-834

## HYDRAULIC SERVICE ITEMS & LUBRICANTS

<u>ITEM</u>	<u>DESCRIPTION</u>	<u>PART NUMBER</u>
-Hydraulic Oil Filter (2)	Hydraulic filter	0307-921
-Case Drain Oil Filter	Lenz (CP-752-10)	2046-286
-Hydraulic Oil (5 gal.)	All Season MV	0400-253
-Hydraulic Oil (55 gal.)	All Season MV	0402-833

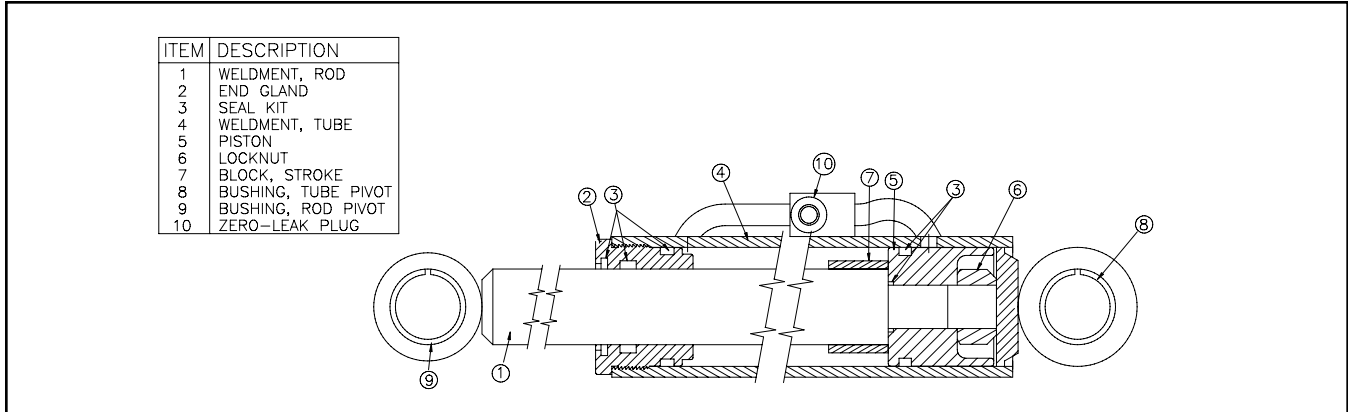
<u>O-RING</u>	<u>PART NUMBER</u>
-# 4, Flat Face Type	2055-196
-# 6, Flat Face Type	0310-285
-# 8, Flat Face Type	0310-286
-# 10, Flat Face Type	0310-287
-# 12, Flat Face Type	0310-288
-# 16, Flat Face Type	0310-289
-# 20, Flat Face Type	0310-290
-# 24, Flat Face Type	0201-479
-# 4, ORB Type	0314-366
-# 6, ORB Type	0310-619
-# 8, ORB Type	0307-353
-# 10, ORB Type	0310-620
-# 12, ORB Type	0310-621
-# 16, ORB Type	0307-354
-# 20, ORB Type	0310-832

# CYLINDER SERVICE ITEMS

## PT-70

### Current Hydraulic Cylinders

- LH-Bucket/Tilt P/N: 0201-968
- LH-Q/A P/N: 0201-971
- RH-Bucket/Tilt P/N: 0201-969
- RH-Q/A P/N: 0201-970
- Lift-Arm P/N: 2045-195



**ITEM**

**MANUFACTURER/DESCRIPTION**

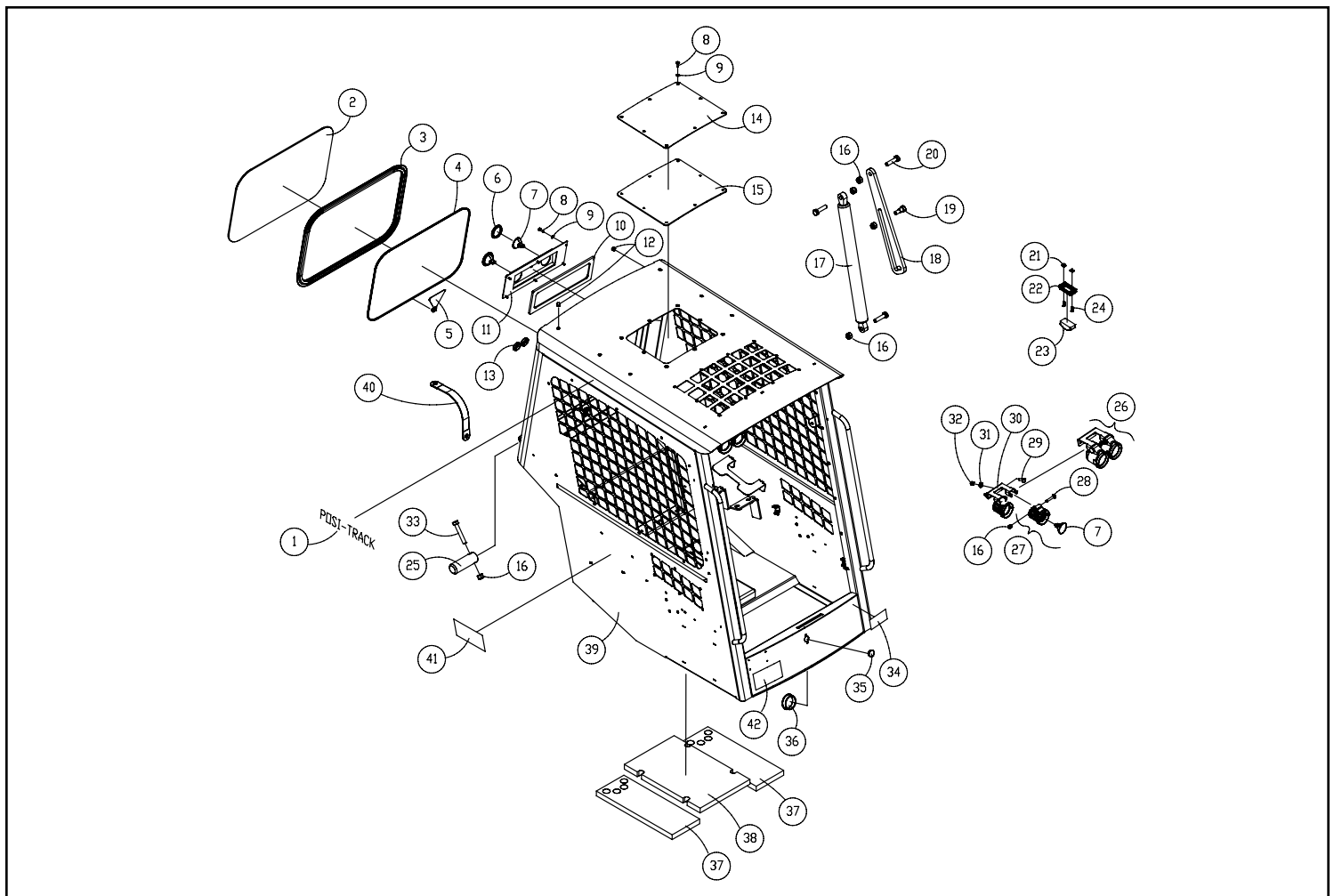
**PART NUMBER**

-Kit,Seal,Bucket/Tilt Cylinder	Flts Cylinder (P/N:0201-968/969)	0003-059
-Wlmt,Tube,Bucket/Tilt Cylinder	Flts Cylinder (P/N:0201-968)	0003-077
-Wlmt,Tube,Bucket/Tilt Cylinder	Flts Cylinder (P/N:0201-969)	0003-076
-Rod,Bucket/Tilt Cylinder	Flts Cylinder (P/N:0201-968)	0003-057
-Rod,Bucket/Tilt Cylinder	Flts Cylinder (P/N:0201-969)	0003-061
-Piston	Flts Cylinder (P/N:0201-968/969)	0003-075
-End Gland,Bucket/Tilt Cylinder	Flts Cylinder (P/N:0201-968/969)	0003-058
-Nut,Bucket/Tilt Cylinder	Flts Cylinder (P/N:0201-968/969)	0003-037
-Bushing,Tube Pivot	Flts Cylinder (P/N:0201-968/969)	0003-052
-Bushing,Rod Pivot	Flts Cylinder (P/N:0201-968/969)	0003-053
-Kit,Seal,Lift Arm Cylinder	Flts Cylinder (P/N:2045-195)	0003-062
-End Gland,Lift Arm Cylinder	Flts Cylinder (P/N:2045-195)	0003-066
-Wlmt,Tube,Lift Arm Cylinder	Flts Cylinder (P/N:2045-195)	0003-071
-Rod,Lift Arm Cylinder	Flts Cylinder (P/N:2045-195)	0003-065
-Piston	Flts Cylinder (P/N:2045-195)	0003-072
-Nut,Lift Arm Cylinder	Flts Cylinder (P/N:2045-195)	0003-037
-Bushing,Tube Pivot	Flts Cylinder (P/N:2045-195)	0003-054
-Bushing,Rod Pivot	Flts Cylinder (P/N:2045-195)	0003-055
-Plug,Zero-leak	Flts Cylinder (P/N:2045-195)	0003-074
-Block,Stroke	Flts Cylinder (P/N:2045-195)	0003-073
-Kit,Seal,Q/A Cylinder	Flts Cylinder (P/N:0201-970/971)	0003-063

# CAB ASSEMBLY (R.O.P.S. CANOPY) (Serial #: DTH 00682-Current)

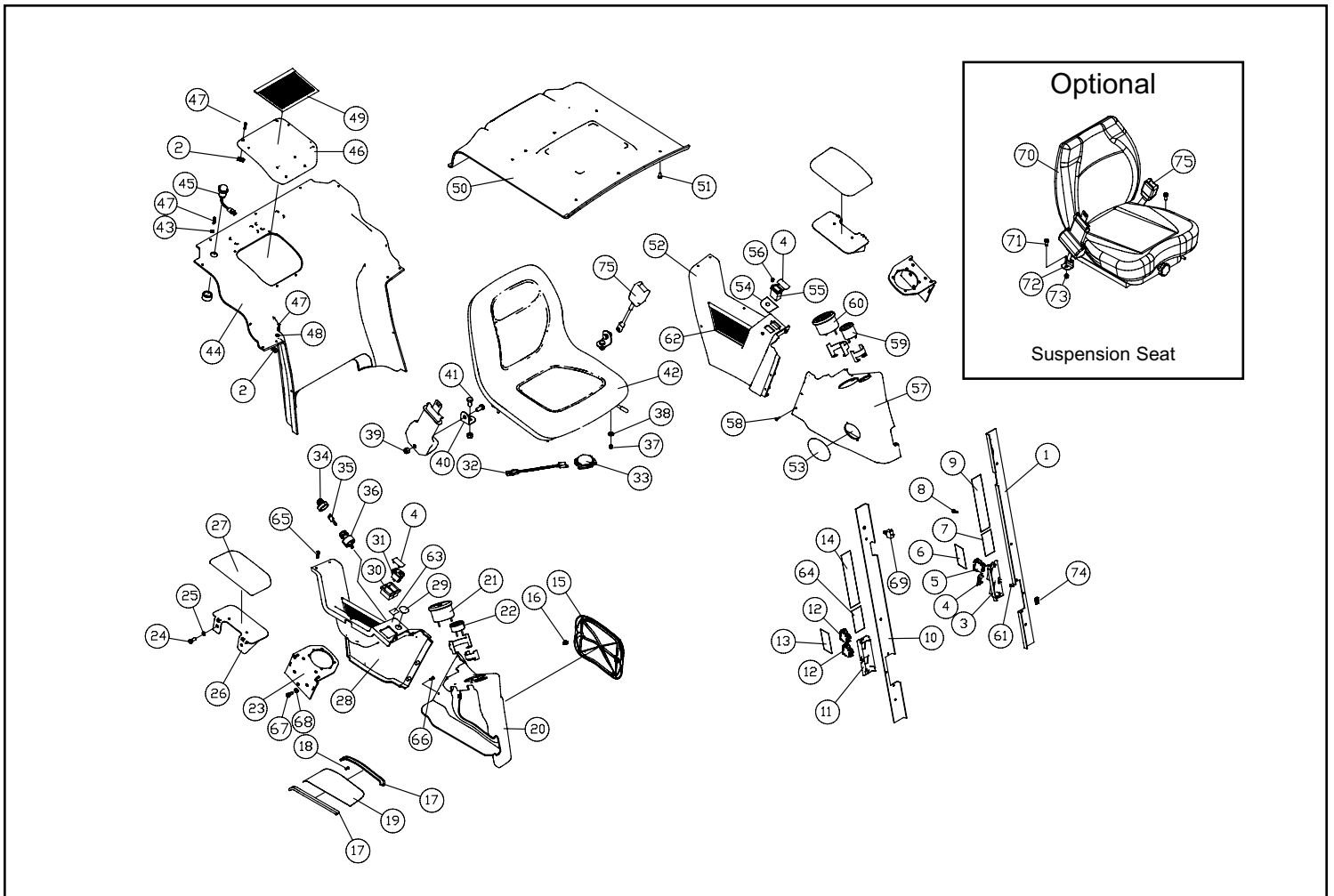
Section 1

REF. NO.	PART NUMBER	QTY.	DESCRIPTION	REF. NO.	PART NUMBER	QTY.	DESCRIPTION
1	2030-334	2	DECAL, POSI-TRACK	41	2030-602	2	DECAL SKIN OIL INJECTION
2	2045-815	1	WINDOW REAR	42	2030-597	1	DECAL 3 POINT
3	0090-113	1	SEAL .125 OFFSET WINDOW LOCKING W/ZI				
4	0090-114	1	SEAL FILLER STRIP				
5	0201-748	1	ASSY, TAG, EMERGENCY EXIT				
6	0201-742	2	BEZEL, RUBBER, LIGHT				
7	2045-756	6	LIGHT 35W W/BEZEL				
8	8102-040	20	CAPSCREW, HH, 1/4-20 UNC x .75, GD8				
9	8051-212	14	WASHER, SPRING LOCK, 1/4, ZN				
10	2045-544	1	SEAL REAR ACCESS				
11	2045-730	1	WLMT BRACKET LIGHT				
12	2045-817	8	PLUG FINISHING .5				
13	2045-510	2	PLUG HOLE 1.375"				
14	2045-541	1	COVER A/C REAR ACCESS				
15	2045-542	1	SEAL A/C TOP ACCESS				
16	8040-426	18	NUT, HEX, NYLOCK, 5/16-18 UNC, ZN				
17	2045-620	2	SHOCK LIFT CAB				
18	2045-624	1	ROD PROP SLOTTED				
19	0090-015	1	BOLT SHOULDER 3/8 x 3 /8 GR 8				
20	8102-134	5	CAPSCREW, HH, 5/16-18 UNC x 1.25 GD8				
21	0310-231	2	NUT-U, 10-32				
22	2045-501	1	BASE LIGHT CAB				
23	2045-500	1	LIGHT CAB				
24	0090-014	2	SCREW FH PH #10-32 x .875				
25	0201-482	2	PIN, 1.00 x 2.88				
26	2045-426	2	ASSY LIGHT				
27	2045-428	4	ASSY LIGHT SINGLE				
28	8011-137	4	BOLT, CARRIAGE, 5/16-18 UNC x 2.0,				
29	8011-132	4	BOLT, CARRIAGE, 5/16-18 UNC x 1.0,				
30	2045-427	2	BRKT MTG DUAL LIGHT				
31	8050-277	4	WASHER, WROUGHT, 3/8, SAE, ZN				
32	8040-456	4	NUT, HEX, NYLOCK, 5/16-24 UNF, ZN				
33	8102-137	2	CAPSCREW, HH, 5/16-18 UNC x 2.0 GD8				
34	2045-727	1	DECAL CAUTION HOOD DAMAGE				
35	2045-829	1	PLUG FINISHING 1.00				
36	2045-536	1	PLUG FINISHING PLASTIC 2.500"				
37	2045-701	2	FOAM SOUND				
38	2045-700	1	FOAM SOUND				
39	2075-119	1	ROPS SR SERIES				
40	0300-546	1	CABLE, GROUND, ENGINE				



# CAB INTERIOR (Serial #: DTH 00682-Current)

REF. NO.	PART NUMBER	QTY.	DESCRIPTION	REF. NO.	PART NUMBER	QTY.	DESCRIPTION
1	2075-104	1	COVER POST LH	41	8102-402	4	CAPSCREW,HH 1/2-13 UNCx1.0 GD8
2	0090-163	23	NUT U 10-24 UNC SS	42	2051-913	1	SEAT BLACK W/O ARMRESTS
3	2075-090	1	MOUNT SWITCH LH	43	0090-012	7	WASHER FINISHING #10 SS
4	0310-138	2	PLUG	44	2075-234	1	PANEL BACK GRAY
5	2045-413	1	SWITCH LOCKING PARK	45	2045-414	1	OUTLET POWER
6	2046-007	1	DECAL SWITCHES LT	46	2045-757	1	PAN CARGO
7	2046-149	1	DECAL CONTROL DRIVE PT 70-80	47	0090-164	11	CAPSCREW OH PH 10-24 UNC X 1.25 SS
8	8102-040	6	CAPSCREW,HH,1/4-20 UNCx.75,GD8	48	0090-012	13	WASHER FINISHING #10 SS
9	2046-300	1	DECAL ROLLOVER / FALL	49	2045-636	1	NET CARGO
10	2075-105	1	COVER POST RH	50	2075-236	1	PANEL ROOF GRAY
11	2075-091	1	MOUNT SWITCH RH	51	0090-019	4	CLIP TREE
12	0200-252	2	SWITCH,3 POSITION,LOCKING	52	2075-092	1	PANEL REAR LH
13	2046-006	1	DECAL SWITCHES RT	53	2075-222	1	PLUG HEATER VENT
14	2046-299	1	DECAL READ O&M / FALL / FIRE	54	2046-005	1	DECAL PT 70-80 HEATER MP1
15	2075-102	1	COVER FUSE PANEL	55	2045-502	1	METER HOUR
16	0090-084	2	CLIP RETAINING	56	2045-657	1	PLUG HOLE .375
17	0090-075	2	SEAL FUSE PANEL SHIELD	57	2075-094	1	PANEL FRONT LH
18	0304-381	2	SCREW,MACH,PH PAN HD 10-24X0.5	58	0090-117	6	CAPSCREW TH PH 10-24 X .75 SS
19	2075-342	1	WLMT FUSE PANEL SHIELD	59	2045-378	1	GAUGE,ENGINE,TEMP
20	2075-095	1	PANEL FRONT RH	60	2045-379	1	GAUGE,INSTRUMENT,4IN1
21	2045-380	1	GAUGE,TACHOMETER	61	0090-051	6	SCREW TH PH #8 x .75, SS
22	2045-381	1	GAUGE,WARNING,INDICATION	62	2075-125	2	NET CARGO
23	0200-600	2	MNTS JOYSTICK (RH & LH)	63	2046-081	1	DECAL IGNITION
24	8102-222	4	CAPSCREW,HH,3/8-16 UNCx1.0,GD8	64	2046-148	1	DECAL CONTROL LOADER PT70-80
25	8051-242	4	WASHER,SPRING LOCK,5/16,ZN	65	0090-165	12	CAPSCREW TH PH 10-24 X 1.0 SS
26	2075-109	2	WLMT ARM REST MOUNT	66	0090-128	6	SCREW TH PH 10-24 x 5 SS
27	2045-337	2	PAD ARM REST	67	8102-220	4	CAPSCREW,HH,3/8-16x0.75",GD8
28	2075-093	1	PANEL REAR RH	68	8051-272	4	WASHER,SPRING LOCK,3/8,ZN
29	2045-829	1	PLUG FINISHING 1"	69	0201-481	1	SWITCH,PUSH BUTTON
30	0310-136	2	FRAME,END	70	2045-452	1	SEAT,SUSP,60MM
31	0310-126	1	SWITCH,LIGHT	71	8102-311	2	CAPSCREW HH 7/16-14UNC x 7/8 GD8
32	0304-662	1	HARNESS,SWITCH,SEAT	72	2045-481	2	TETHER,SEAT
33	2010-127	1	SWITCH,SEAT (NEW STYLE)	73	8040-546	2	NUT,HEX,NYLOCK,7/16-14 UNC,ZN
34	2045-792	1	COVER KEY IGNITION	74	0090-050	6	NUT SPEED #8
35	2045-432	1	KEY IGNITION	75	2045-499	1	ASSY BELT
36	0304-028	1	SWITCH,IGNITION,RC				
37	8040-426	4	NUT,HEX,NYLOCK,5/16-18 UNC,ZN				
38	8050-262	4	WASHER,WROUGHT,5/16,STD,ZN				
39	8040-606	4	NUT,HEX,NYLOCK,1/2-13 UNC,ZN				
40	2075-163	2	MOUNT SEAT BELT LOWER				



# CAB DOOR ASSEMBLY (OPTIONAL) (Serial #: DTH 00682-Current)

Section 3

REF. NO.	PART NUMBER	QTY.	DESCRIPTION	REF. NO.	PART NUMBER	QTY.	DESCRIPTION
1	0090-007	20	NUT,FLANGE, 1/4-20 UNC	41	0402-243	1	ARM,WIPER,15-19"
2	2045-529	2	MOUNT,SEAL,SIDE	42	2045-593	1	WIPER BLADE 16"
3	2045-531	2	SEAL,DOOR,SIDE	43	2046-227	2	DECAL,DOOR HANDLE
4	2045-519	1	SIDE FRAME,RH	44	0403-341	1	MOTOR,WIPER,65^
5	0304-495	4	STUD,BALL,10MM	45	8040-366	3	NUT,HEX,NYLOCK,1/4-20 UNC,ZN
6	0090-006	4	NUT,FLANGE, 5/16-18 UNC	46	0090-046	1	WASHER RUBBER .688 OD x .31 ID
7	2045-528	2	SPRING,GAS ASSIST,DOOR	47	8050-222	3	WASHER,WROUGHT,1/4,STD,ZN
8	2045-524	1	HANDLE,DOOR,RH	48	2045-623	1	PLATE MOUNTING WIPER CONTACT
9	2045-530	1	SEAL,DOOR,TOP	49	8102-042	1	CAPSCREW, HH 1/4-20UNC 1" GD8
10	2045-523	1	HANDLE,DOOR,LH	50	2045-621	1	CONTACT WIPER
11	2045-526	1	STRIKE,LATCH	51	2045-622	1	CONTACT SPRING WIPER
12	2045-537	4	ROLLER,DOOR	52	0310-475	4	SCREW,10-32x.5,TRUSSHEAD
13	0090-008	8	NUT,JAM LOCKING 7/16-14 UNC				
14	2045-532	1	SEAL,DOOR,BOTTOM				
15	2045-522	10	WASHER,MOUNTING,DOOR HANDLE				
16	0301-033	8	WASHER,FENDER,1/4 x 1 1/4,STL,				
17	8102-044	8	CAPSCREW,HH,1/4-20UNCx1.25,GD8				
18	8008-582	2	SCREW,MACH,SL,TR HD,1/4-20 UNC				
19	2045-525	1	HANDLE,GRAB,DOOR				
20	2045-517	1	TOP FRAME,LOWER,RH				
21	2045-515	1	TOP FRAME,UPPER,RH				
22	2045-527	1	RETAINER,DOOR				
23	8051-212	2	WASHER,SPRING LOCK,1/4,ZN				
24	8102-040	2	CAPSCREW,HH,1/4-20 UNCx.75,GD8				
25	8102-039	8	CAPSCREW,HH,1/4-20UNCx.625,GD8				
26	2045-514	1	TOP FRAME,UPPER, LH				
27	2045-516	1	TOP FRAME, LOWER, LH				
28	2045-534	1	T-HANDLE, LATCH DOOR				
29	2045-533	1	LATCH, DOOR				
30	2045-635	1	SPACER, INSIDE T-HANDLE				
31	2045-634	1	T-HANDLE, INSIDE, DOOR				
32	2045-674	1	PLUG FINISH PLASTIC 11/16"				
33	2045-657	1	PLUG HOLE .375				
34	2045-794	1	MOUNT PLATE, HANDLE				
35	2045-795	1	SPRING .688" X 2.50"				
36	8050-320	5	WASHER,WROUGHT,7/16,SAE,ZN				
37	2045-521	1	WINDOW, DOOR (GLASS)				
38	0304-816	1	KEY,DOOR				
39	2045-518	1	SIDE FRAME,LH				
40	8040-276	4	NUT,HEX,NYLOCK,10-32 UNF,ZN				

**LEXAN DOOR (OPTIONAL)**

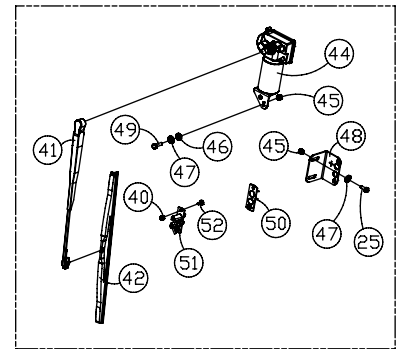
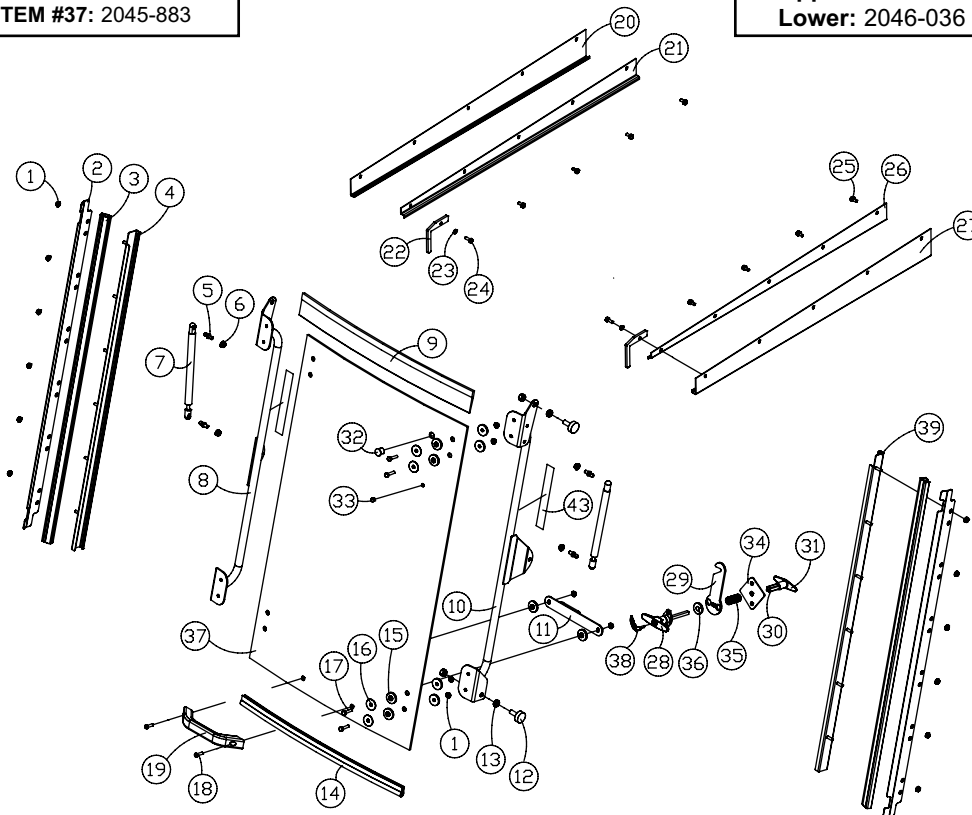
- ITEM #14: 2045-884
- ITEM #17: 8102-045
- ITEM #37: 2045-883

**Door Handle Braces**

- (mount between items 8 & 10)
- Upper: 2046-039
  - Lower: 2046-036

**WIPER KIT (OPTIONAL)**

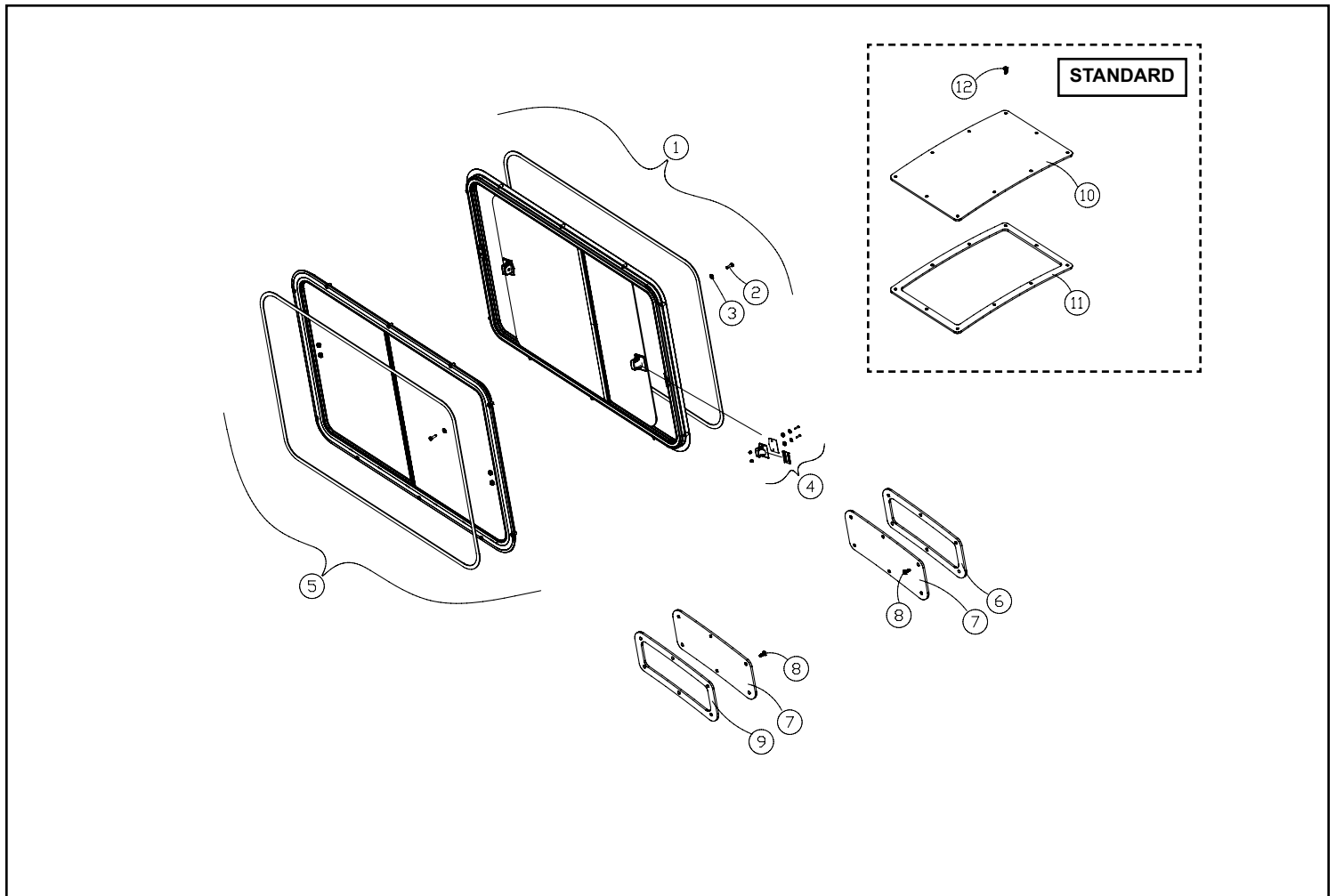
P/N: 0403-340



**ENCLOSED CAB (OPTIONAL) (Serial #: DTH 00682-Current)**

Section 4

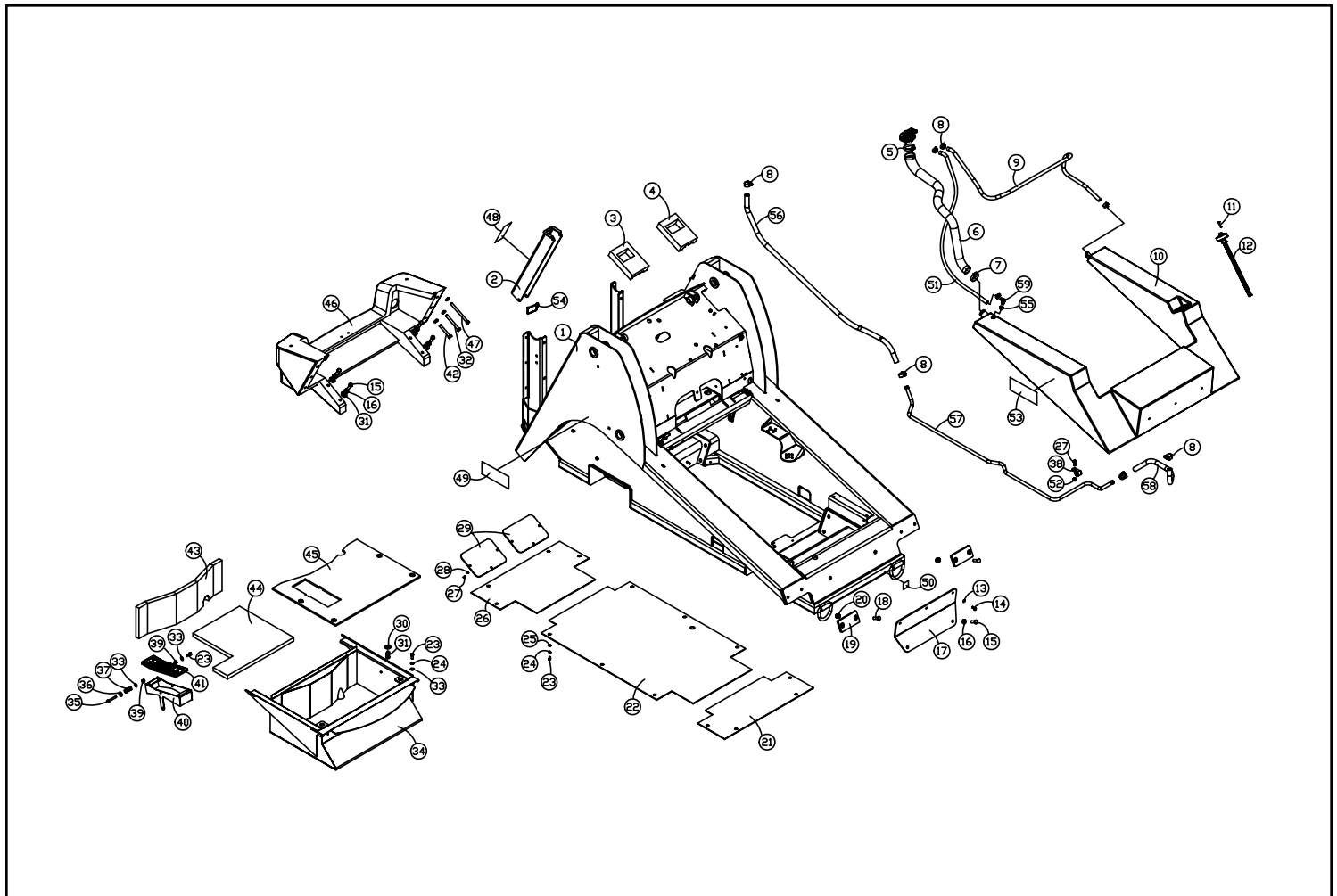
REF. NO.	PART NUMBER	QTY.	DESCRIPTION	REF. NO.	PART NUMBER	QTY.	DESCRIPTION
1	2045-965	1	WINDOW SLIDING LH				
2	0305-011	20	CAPSCREW,HH,M6x1.0x20mm,ZN				
3	8050-157	20	WASHER,WROUGHT,3/16,STD,ZN				
4	2045-923	2	LATCH WINDOW				
5	2045-966	1	ASSY WINDOW RH SR NON LATCH				
6	2045-956	1	SEAL LOWER WINDOW LH				
7	2045-955	1	PANEL LEXAN LOWER WINDOW				
8	0090-092	12	SCREW TH PH 1/4-20 x .75 ZN				
9	2045-957	1	SEAL LOWER WINDOW RH				
10	0200-606	1	PANEL ROOF LEXAN				
11	0200-607	1	SEAL PANEL ROOF				
12	0090-109	10	SCREW TH PH 1/4-20 x 1.00 ZN				





# CHASSIS ASSEMBLY (Serial #: DTH 00682-Current)

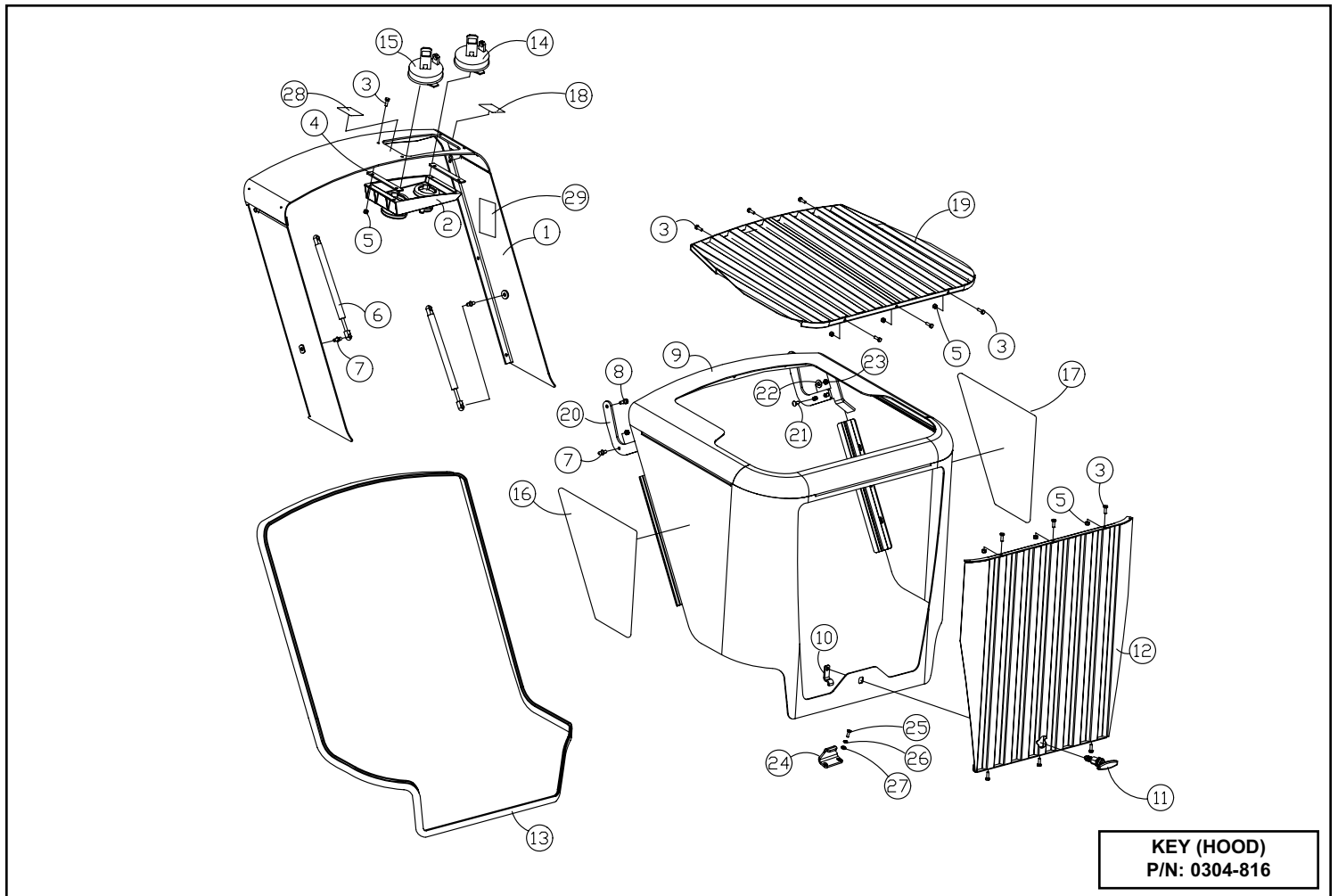
REF. NO.	PART NUMBER	QTY.	DESCRIPTION	REF. NO.	PART NUMBER	QTY.	DESCRIPTION
1	2045-251	1	WLMT CHASSIS TAPERED	41	2045-666	1	COVER THROTTLE PEDAL MACHINED
2	2045-464	1	WLMT,LOCK,LOADER	42	0090-029	2	CAPSCREW TAPERED 1/2-13 x 3.75" GD8
3	2045-562	1	SEAL CAB RH	43	2045-698	1	FOAM SOUND
4	2045-561	1	SEAL CAB LH	44	2045-699	1	FOAM SOUND
5	0300-686	1	CLAMP,HOSE,2.0,#32	45	2045-641	1	MAT FLOOR
6	2045-144	1	HOSE FILLER FUEL	46	2045-089	1	BUMPER REAR
7	0300-687	1	CLAMP,HOSE,1.5,#24	47	0090-027	2	CAPSCREW TAPERED 1/2-13 x 6.00" GD8
8	0301-125	8	CLAMP,HOSE,#6	48	2030-594	1	DECAL LOADER LOCK (NO TEXT)
9	2045-652	1	HOSE FUEL VENT	49	2030-593	2	DECAL RUN OVER
10	2045-143	1	TANK FUEL PLASTIC	50	0310-197	4	DECAL,TIE DOWN
11	0090-023	5	SCREW PH 10-32 x 1.25 ZN	51	0090-106	1	HOSE FUEL 1/2" x 36"
12	2045-654	1	UNIT SENDER INTELLISENSOR FUEL	52	8040-366	1	NUT,HEX,NYLOCK,1/4-20 UNC,ZN
13	8051-242	3	WASHER,SPRING LOCK,5/16,ZN	53	2030-592	2	DECAL LOADER CRUSH
14	8102-130	3	CAPSCREW,HH 5/16-18x3/4,GR8	54	0090-039	2	PIN SNAP LOCK 5/16 x 3.5"
15	8102-405	6	CAPSCREW,HH,1/2-13 UNCx1.5,GD8	55	0090-101	1	GROMMET RUBBER LG 1/2" FUEL
16	8051-332	12	WASHER,SPRING LOCK,1/2,ZN	56	2045-992	1	HOSE FUEL REAR
17	2045-347	1	PLATE MNT FUEL TANK	57	2045-952	1	TUBE PICKUP FUEL
18	0201-483	4	BOLT,PLOW,1/2-13x2.00"	58	2045-993	1	HOSE FUEL FRONT
19	0201-066	2	PLATE,BOLT	59	0090-102	1	ADAPTER INSERT 1/2" 90*
20	8040-606	4	NUT,HEX,NYLOCK,1/2-13 UNC,ZN				
21	2045-174	1	PLATE SKID FRONT				
22	2045-173	1	PLATE SKID MID				
23	8102-222	20	CAPSCREW,HH,3/8-16 UNCx1.0,GD8				
24	8051-272	18	WASHER,SPRING LOCK,3/8,ZN				
25	8050-282	14	WASHER,WROUGHT,3/8,STD,ZN				
26	2045-175	1	PLATE SKID REAR				
27	8102-040	7	CAPSCREW,HH,1/4-20 UNCx.75,GD8				
28	8051-212	6	WASHER,SPRING LOCK,1/4,ZN				
29	2045-062	2	COVER ACCESS				
30	0090-030	2	CAPSCREW TAPERED 1/2-13 x 1.5" GD8				
31	8050-347	6	WASHER,WROUGHT,1/2,STD,ZN				
32	0090-028	2	CAPSCREW TAPERED 1/2-13 x 5.00" GD8				
33	8050-277	6	WASHER,WROUGHT,3/8,SAE,ZN				
34	2045-603	1	WLMT FOOTWELL				
35	8102-230	1	CAPSCREW,HH 3/8-16UNCx2.75 GD8				
36	2045-678	1	WASHER LEATHER				
37	2045-662	1	SPRING 2.0" x 1/2" ID 1140 LBF				
38	0310-465	1	CLAMP,WIRE,5/8				
39	8040-486	2	NUT,HEX,NYLOCK,3/8-16 UNC,ZN				
40	2045-571	1	WLMT PEDAL THROTTLE				



# HOOD ASSEMBLY (Serial #: DTH 00682-Current)

Section 6

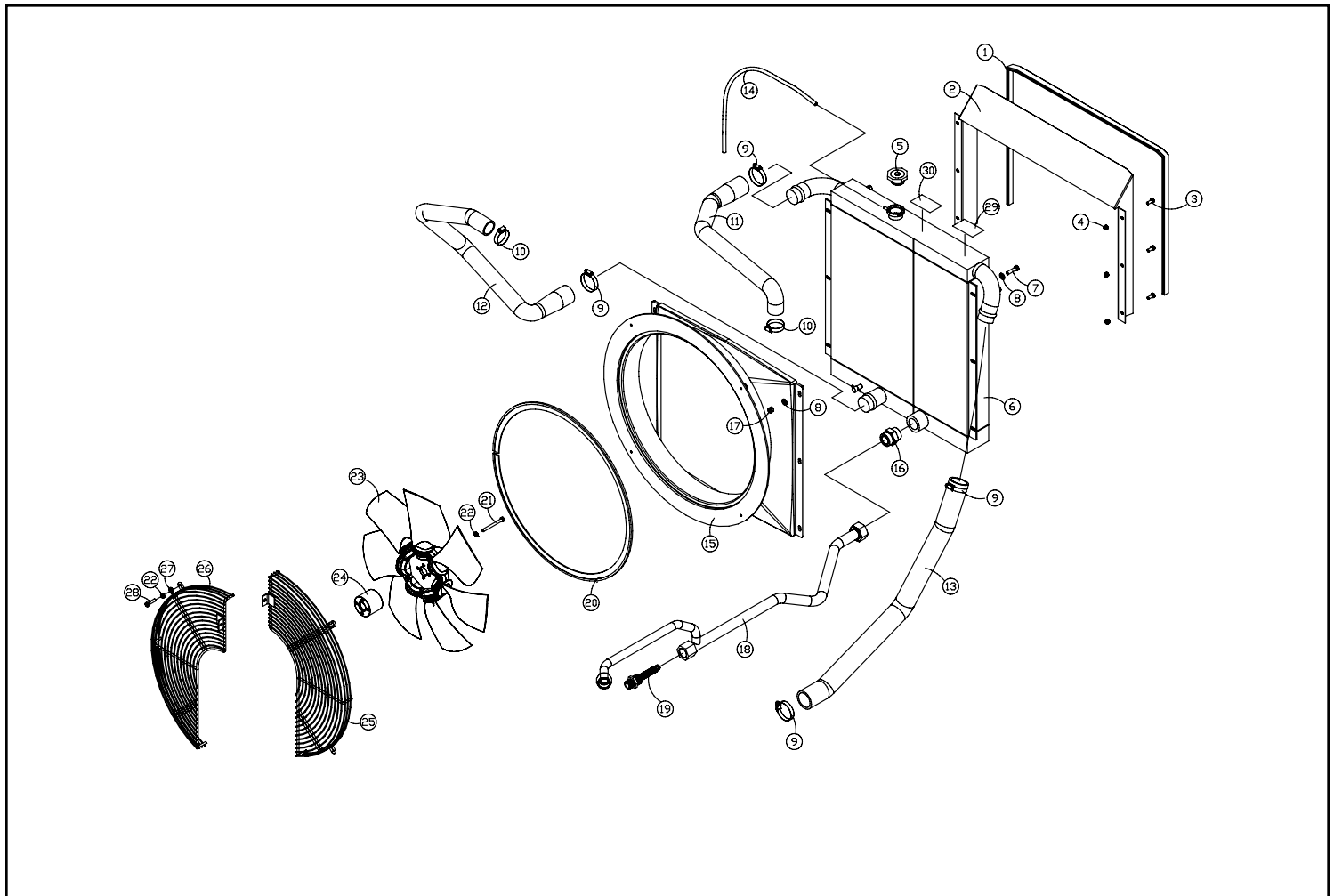
REF. NO.	PART NUMBER	QTY.	DESCRIPTION	REF. NO.	PART NUMBER	QTY.	DESCRIPTION
1	2045-953-grn	1	WLMT COWLGREEN				
2	2045-148	1	GUARD SPILL DUAL CAP				
3	8102-040	16	CAPSCREW,HH,1/4-20 UNCx.75,GD8				
4	2045-760	2	FOAM,ADHESIVE BACK,.75 X 1 (6" LENGTH)				
5	8040-366	16	NUT,HEX,NYLOCK,1/4-20 UNC,ZN				
6	2045-582	2	SPRING GAS HOOD				
7	0304-495	4	STUD,BALL,10MM STUD				
8	0090-015	2	BOLT SHOULDER 3/8 x3 /8 GR 8				
9	2045-954-grn	1	WLMT HOOD GREEN				
10	0090-033	1	PAWL HOOD				
11	0090-031	1	LATCH T-HANDLE LOCKING				
12	2045-281	1	WLMT SCREEN REAR				
13	2045-696	1	SEAL HOOD PERIMETER 153"				
14	4046-088	1	CAP FUEL YELLOW				
15	2045-408	1	CAP OIL BLACK				
16	2046-232	1	DECAL HOOD LEFT TEREX PT70/80				
17	2046-231	1	DECAL HOOD RIGHT TEREX PT70/80				
18	4046-078	1	DECAL CE DIESEL FUEL ONLY				
19	2045-284	1	WLMT,SCREEN, TOP				
20	2045-945	2	HINGE HOOD				
21	8111-224	4	BOLT,CARRIAGE,3/8-16UNCX1.25,G				
22	8050-282	4	WASHER,WROUGHT,3/8,STD,ZN				
23	8040-486	4	NUT,HEX,NYLOCK,3/8-16 UNC,ZN				
24	0090-032	1	CATCH HOOD				
25	8102-134	2	CAPSCREW,HH 5/16				
26	8051-242	2	WASHER,SPRING LOCK,5/16,ZN				
27	8050-222	2	WASHER,WROUGHT,1/4,STD,ZN				
28	4046-079	1	DECAL CE HYDRAULIC OIL ONLY				
29	2030-603	1	DECAL BATTERY EXPLOSION				



# RADIATOR/OIL COOLER ASSEMBLY (Serial #: DTH 00682-Current)

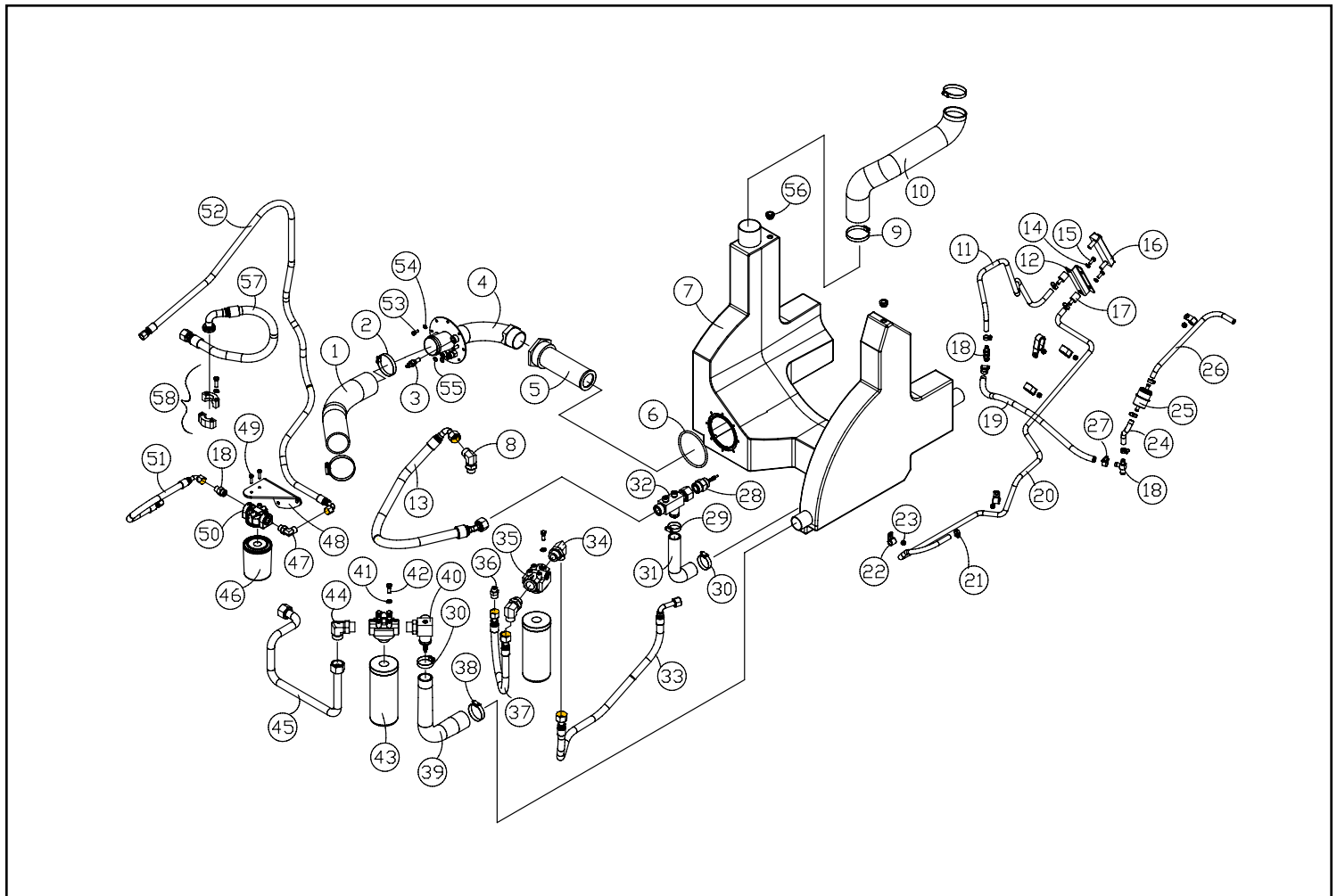
Section 7

REF. NO.	PART NUMBER	QTY.	DESCRIPTION	REF. NO.	PART NUMBER	QTY.	DESCRIPTION
1	2045-728	1	SEAL AIRDAM				
2	2045-199	1	BOX AIRFLOW				
3	8102-130	6	CAPSCREW,HH 5/16-18x3/4,GR8				
4	8040-426	6	NUT,HEX,NYLOCK,5/16-18 UNC,ZN				
5	0201-884	1	CAP,RADIATOR,13PSI				
6	2045-033	1	ASSY COOLER 6FPI				
7	8102-225	6	CAPSCREW,HH,3/8-16 UNCx1.5,GD8				
8	8050-277	12	WASHER,WROUGHT,3/8,SAE,ZN				
9	0300-686	4	CLAMP,HOSE,2.0,#32				
10	0300-687	2	CLAMP,HOSE,1.5,#24				
11	2045-224	1	HOSE,RADIATOR,UPPER				
12	2045-223	1	HOSE RADIATOR LOWER LONG				
13	2045-072	1	HOSE RETURN COOLER				
14	0304-444	1	HOSE,7/16X5/16POLY,4FT				
15	2045-066	1	SHROUD MOLDED				
16	0310-333	1	ADAPTER,20MFFOR-20MB				
17	8040-486	6	NUT,HEX,NYLOCK,3/8-16 UNC,ZN				
18	2045-191	1	TUBE FILTER TO COOLER				
19	0201-154	1	RELIEF, TANK, O-RING 0-3 PSI				
20	2045-067	1	RING BRUSH				
21	0090-013	4	CAPSCREW HH M8 x 1.25 x 85MM GD 8.8				
22	8051-242	8	WASHER,SPRING LOCK,5/16,ZN				
23	2045-885	1	FAN 22.5" BLOWER				
24	2045-267	1	SPACER,FAN,3"				
25	2045-430	1	GUARD FAN LH				
26	2045-431	1	GUARD FAN RH				
27	8050-262	4	WASHER,WROUGHT,5/16,STD,ZN				
28	8102-134	4	CAPSCREW,HH,5/16-18UNCx1.25GD8				
29	2030-600	1	DECAL BELT / FAN				
30	2030-595	1	DECAL RADIATOR				



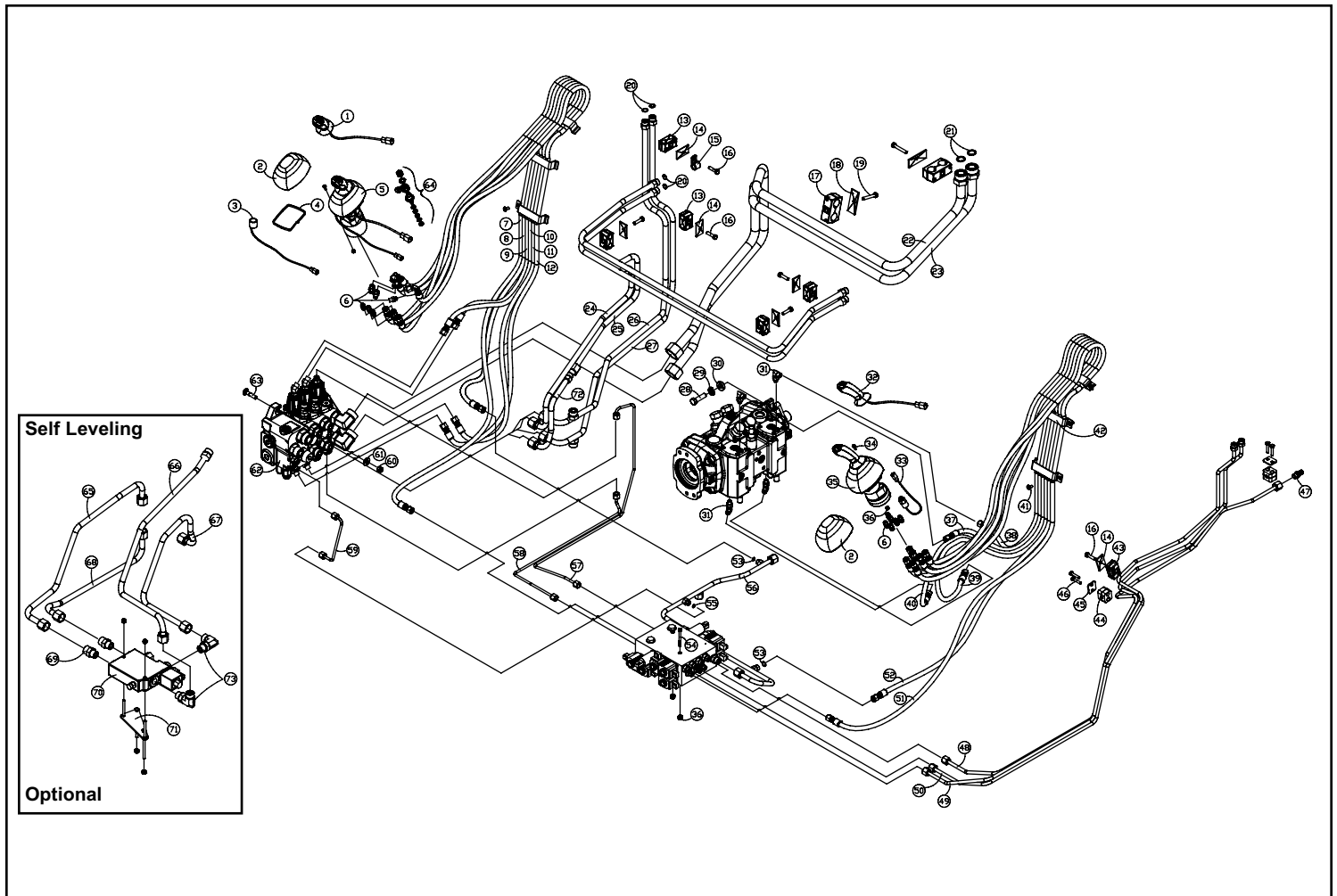
# HYDRAULIC RESERVOIR ASSEMBLY (Serial #: DTH 00682-Current)

REF. NO.	PART NUMBER	QTY.	DESCRIPTION	REF. NO.	PART NUMBER	QTY.	DESCRIPTION
1	2045-567	1	HOSE INTAKE AUX 18"	41	8051-272	8	WASHER, SPRING LOCK, 3/8, ZN
2	0303-175	2	HOSE, CLAMP, 2.75, HI-TORQUE	42	8102-222	8	CAPSCREW, HH, 3/8-16 UNC x 1.0, GD8
3	2045-383	1	UNIT SENDING TEMP HYDRAULIC	43	0307-921	2	FILTER SPIN-ON HYD
4	2045-082	1	WLMT TUBE INTAKE	44	0310-343	1	ADAPTER, 16MFFOR-16MB-90^
5	0201-151	1	SCREEN, SUCTION, 2.5"	45	2045-122	1	TUBE VALVE RETURN
6	2045-493	1	O-RING OIL TANK DASH 428	46	2046-286	1	ELEMENT, FILTER, SPIN-ON
7	2045-068	1	RESERVOIR OIL	47	0310-346	1	ADAPTER, 8MFFOR-8MB-90^
8	0310-321	1	ADAPTER, 12MFFOR-12MB90	48	2045-348	1	BRKT FILTER CASE DRAIN
9	0308-185	2	CLAMP, HOSE, #48	49	8102-042	2	CAPSCREW, HH 1/4-20UNC 1" GD8
10	2045-146	1	HOSE FILLER OIL	50	0201-608	1	HEAD, FILTER
11	2045-553	1	HOSE SIGHT GAUGE UPPER 3/8" x 38"	51	2045-577	1	HOSE DRAIN FILTER TO TANK
12	2045-423	1	WLMT BRKT SIGHT GAUGE	52	2045-576	1	HOSE DRAIN LOADER TO FILTER
13	2045-579	1	HOSE DRAIN CASE	53	8102-040	8	CAPSCREW, HH, 1/4-20 UNC x .75, GD8
14	8051-242	2	WASHER, SPRING LOCK, 5/16, ZN	54	8051-212	8	WASHER, SPRING LOCK, 1/4, ZN
15	8102-130	2	CAPSCREW, HH 5/16-18x3/4, GR8	55	0310-286	2	O-RING, 8 ORFF
16	0304-642	1	GAUGE, SIGHT 5"	56	2046-171	2	GROMMET RUBBER 5/8
17	2045-424	2	NIPPLE SIGHT GAUGE	57	2045-321	1	HOSE 12MK4 16FL90S 12FFORX 30"
18	2046-172	2	TEE DAPCO VENT	58	0201-410	1	FLANGE, SPLIT, CODE, 61
19	2045-512	1	HOSE VENT CENTER				
20	2045-554	1	HOSE SIGHT GAUGE LOWER 3/8" x 65"				
21	0300-732	8	CLAMP, HOSE, #4				
22	0310-465	3	CLAMP, WIRE, 5/8				
23	8040-426	6	NUT, HEX, NYLOCK, 5/16-18 UNC, ZN				
24	2045-538	1	HOSE VENT LOWER LEFT 3/8" x 7"				
25	0201-914	1	FILTER, FUEL, 3/8", STEEL				
26	2045-539	1	HOSE VENT UPPER LEFT 3/8" x 15"				
27	0301-125	2	CLAMP, HOSE, #6				
28	0201-154	1	RELIEF, TANK, O-RING, 0-3 PSI				
29	0304-384	1	CLAMP, HOSE # 16				
30	0300-687	2	CLAMP, HOSE, 1.5, #24				
31	2045-078	1	TUBE DRAIN TRANS				
32	2045-119	1	TEE CASE DRAIN				
33	2045-568	1	HOSE CHARGE PUMP TO FILTER				
34	0201-317	2	ADAPTER, FS6801-12-16-NW0				
35	0201-403	2	HEAD, FILTER				
36	0201-658	1	ADAPTER, 10MFFOR-8MB-S				
37	2045-569	1	HOSE CHARGE FILTER TO PUMP				
38	0300-686	1	CLAMP, HOSE, 2.0, #32				
39	2045-121	1	HOSE RETURN FORMED				
40	2045-185	1	ASSY TEE RETURN VALVE				



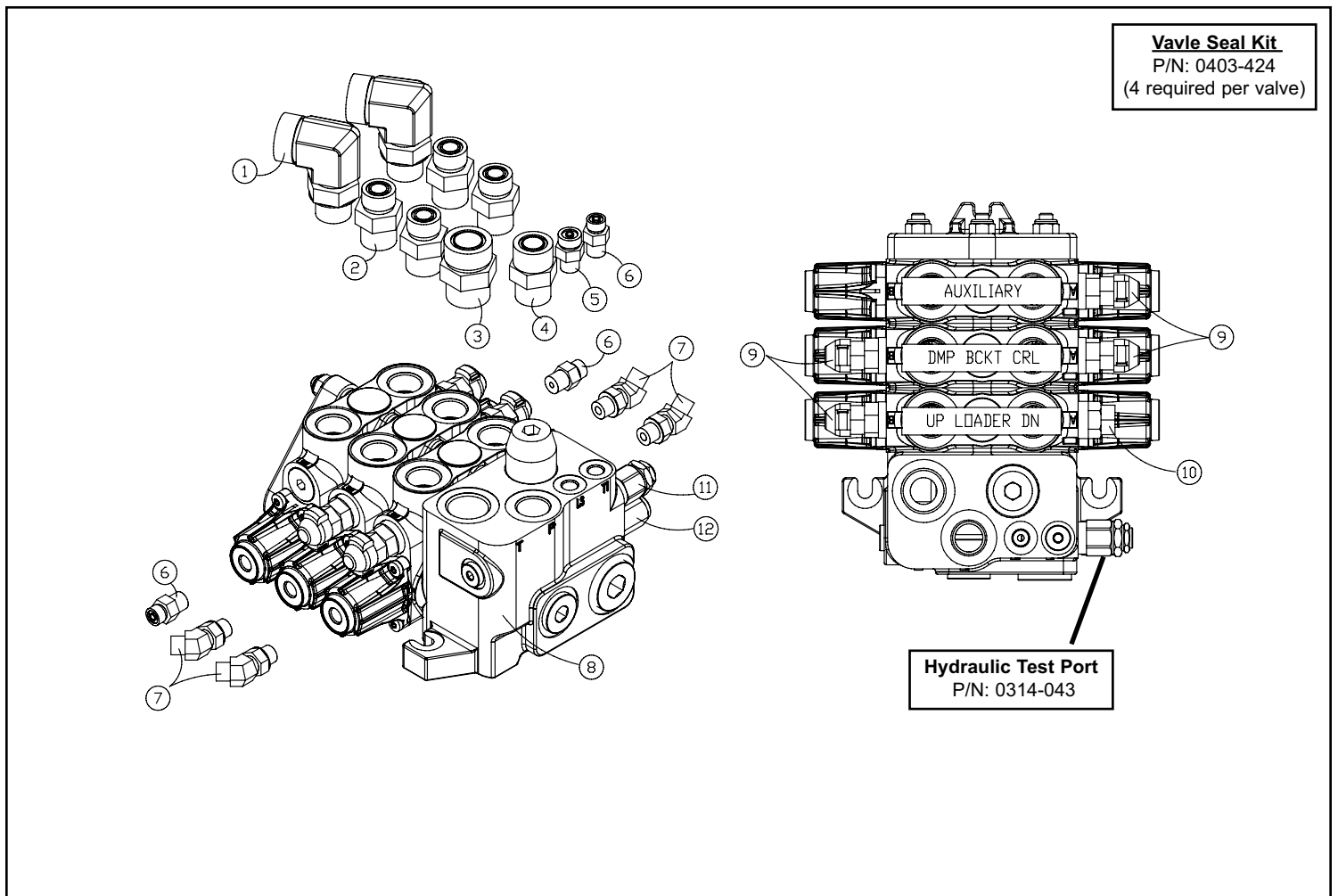
# HYDRAULIC CONTROL ASSEMBLY (Serial #: DTH 00682-Current)

REF. NO.	PART NUMBER	QTY.	DESCRIPTION	REF. NO.	PART NUMBER	QTY.	DESCRIPTION
1	2045-737	1	HANDLE,CONTROLLER,RH	41	0302-864	6	CAPSCREW,FLHD,SOC,1/4-20UNCx.6
2	2045-735	2	BOOT,CONTROLLER	42	2045-360	6	CLAMP HOSE CONTROLLER
3	0304-516	1	MAGNET,DETENT	43	0201-225	1	CLAMP,SET,T2038-PP (OPTIONAL/FOR HYD Q/A)
4	0307-882	2	TIE,CABLE,BLACK,18.1",W/STL IN	44	2045-580	2	CLAMP SET 1038-PP
5	2045-797	1	JOYSTICK SR70 NON SELF LEVEL	45	2045-581	2	PLATE COVER COP-1
6	0201-309	12	ADAPTER,FS6400-04-06-0	46	8102-044	4	CAPSCREW,HH,1/4-20UNCx1.25
7	2045-594	1	HOSE CONTROLLER PRESSURE P LOADER	47	0314-043	1	COUPLING,PORT,TEST,MALE,#6SAE-
8	2045-595	1	HOSE CONTROLLER TANK T LOADER	48	2045-570	1	TUBE GAUGE PORT PILOT GEN
9	2045-605	1	HOSE CONTROLLER DUMP 6	49	2045-177	1	TUBE QUICK ATTACH FRONT (OPTIONAL/FOR HYD Q/A)
10	2045-602	1	HOSE CONTROLLER UP 3	50	2045-176	1	TUBE QUICK ATTACH REAR (OPTIONAL/FOR HYD Q/A)
11	2045-607	1	HOSE CONTROLLER DOWN 5S	51	2045-590	1	HOSE CONTROLLER PRESSURE P DRIVE
12	2045-606	1	HOSE CONTROLLER CURL 1	52	2045-591	1	HOSE CONTROLLER TANK T DRIVE
13	0310-831	5	CLAMP, SET, T2062-PP	53	0310-285	2	O-RING,6 ORFF
14	0310-584	6	PLATE,COVER TCP-T2	54	0090-037	2	CAPSCREW SOC HD 1/4-20 x 3 1/2
15	0310-465	1	CLAMP,WIRE,5/8	55	2055-196	1	O-RING,#4,ORFF
16	8102-134	6	CAPSCREW,HH,5/16-18UNCx1.25GD8	56	2045-398	1	TUBE TANK PILOT BLOCK
17	0201-226	2	CLAMP,SET,T4100-PP	57	2045-405	1	TUBE AUX B
18	0201-227	2	CLAMP,COVER,TCP-T4	58	2045-404	1	TUBE AUX A
19	8102-138	2	CAPSCREW,HH,5/16-18 X 2.25 GD8	59	2045-400	1	TUBE T1 VALVE
20	0310-286	4	O-RING,8 ORFF	60	8040-486	3	NUT,HEX,NYLOCK,3/8-16 UNC,ZN
21	0310-289	2	O-RING,16 ORFF	61	8050-282	3	WASHER,WROUGHT,3/8,STD,ZN
22	2045-116	1	TUBE HIGH FLOW A	62	2045-834	1	ASSY LOADER VALVE SR
23	2045-115	1	TUBE HIGH FLOW B	63	8111-226	3	BOLT,CARRIAGE,3/8-16 x1.75 GD8
24	2045-113	1	WLMT TUBE BOOM B	64	2010-138	1	KIT CARDAN RH
25	2045-927	1	ASSY TUBE BOOM UPPER	65	2045-937	1	TUBE TEE BUCKET B
26	2045-935	1	TUBE BUCKET B SL	66	2045-933	1	TUBE BOOM ROD SL
27	2045-934	1	TUBE BUCKET A SL	67	2045-932	1	TUBE BOOM A SL
28	8102-406	2	CAPSCREW,HH,1/2-13UNCx1.75,GD8	68	2045-936	1	TUBE TEE BUCKET A
29	0090-148	2	WASHER,SPRING LOCK,1/2,ZN	69	0310-318	2	ADAPTER,10MFFOR-10MB
30	0304-404	2	WASHER,FLAT,1.125 OD x .5 ID x 1/4,ZN	70	2045-925	1	ASSY VALVE SELF LEVEL EATON
31	0201-314	4	ADAPTER,FS6801-04-04-NW0	71	2045-939	1	WLMT MNT SL EATON
32	2045-736	1	HANDLE,CONTROLLER,LH	72	2045-930	1	TUBE BOOM LOWER
33	0304-441	1	SWITCH,PRESSURE	73	0201-668	2	ADAPTER,FF6801-10-10NWO
34	8102-040	8	CAPSCREW,HH,1/4-20 UNCx.75,GD8				
35	2045-343	1	JOYSTICK CONTROL LH				
36	8040-366	10	NUT,HEX,NYLOCK,1/4-20 UNC,ZN				
37	2045-587	1	HOSE CONTROLLER FORWARD RIGHT C				
38	2045-585	1	HOSE CONTROLLER FORWARD LEFT D				
39	2045-589	1	HOSE CONTROLLER REVERSE LEFT F				
40	2045-588	1	HOSE CONTROLLER REVERSE RIGHT E				



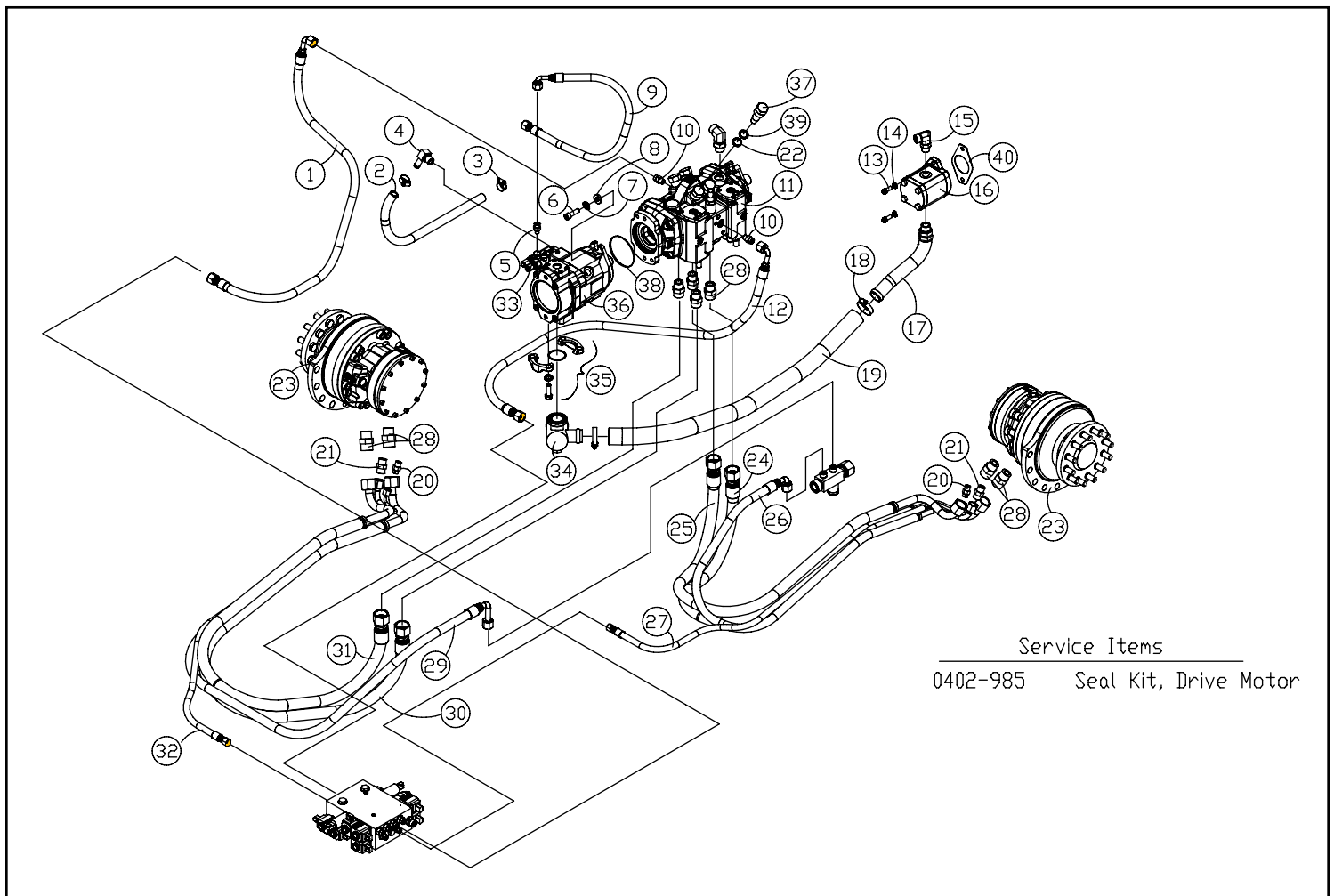
# LIFT ARM CONTROL VALVE ASSEMBLY (Serial #: DTH 00682-Current)

REF. NO.	PART NUMBER	QTY.	DESCRIPTION	REF. NO.	PART NUMBER	QTY.	DESCRIPTION
1	0310-324	2	ADAPTER,16MFFOR-12MB-90				
2	0310-332	4	ADAPTER,10MFFOR-12MB				
3	2045-878	1	RELIEF TANK 5 BAR (72.5 PSI) SR80				
4	0310-313	1	ADAPTER,12MFFOR-12MB				
5	0310-329	1	ADAPTER,6MFFOR-6MB				
6	0201-309	3	ADAPTER,FS6400-04-06-0				
7	2045-600	4	ADAPTER FS6802-04-06-NWO				
8	2045-798	1	VALVE LOADER SR80 NO-SLF-LEV				
9	0403-426	4	VALVE RELIEF				
10	0403-425	1	VALVE ANTI CAV				
11	0403-427	1	RELIEF INLET				
12	0403-428	1	FLOW DIVIDER				



# HYDRAULIC DRIVE/AUXILIARY ASSEMBLY (Serial #: DTH 00682-Current)

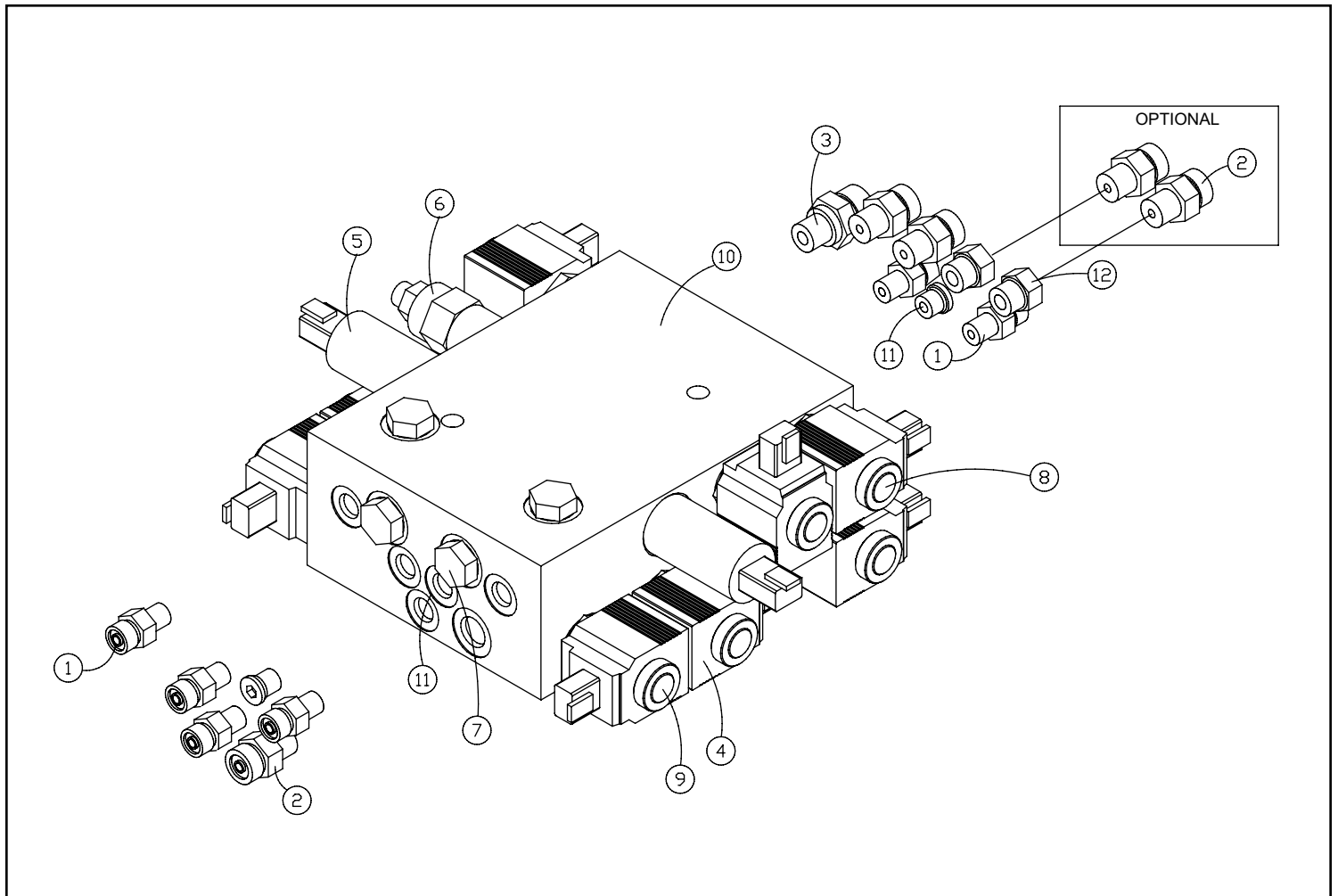
REF. NO.	PART NUMBER	QTY.	DESCRIPTION	REF. NO.	PART NUMBER	QTY.	DESCRIPTION
1	2045-611	1	HOSE PILOT GEN BLOCK PORT P				
2	2045-563	1	HOSE CASE DRAIN AUX PUMP				
3	0301-110	2	CLAMP,HOSE,#8				
4	2045-946	1	ADAPTER 90° 4601-10-10-0				
5	0314-014	1	ADAPTER,6MFFOR-4MB				
6	0201-541	2	CAPSCREW,SOC HEAD,12x1.75x40				
7	8051-332	2	WASHER,SPRING LOCK,1/2,ZN				
8	0304-404	2	WASHER,FLAT,1.125 OD x .5 ID x 1/4,ZN				
9	2045-601	1	HOSE LOAD SENSE				
10	0310-329	2	ADAPTER,6MFFOR-6MB				
11	2045-198	1	PUMP TANDEM				
12	2045-612	1	HOSE PILOT GEN BLOCK PORT P1				
13	2045-458	2	CAPSCREW FERRY M10 x 1.5 x 25MM				
14	0301-781	2	WASHER,SPLIT LOCK,10mm,ZN				
15	0201-668	1	ADAPTER,FF6801-10-10NWO				
16	2045-473	1	PUMP CHARGE GEAR				
17	2045-087	1	FITTING INTAKE CHARGE				
18	0300-687	2	CLAMP,HOSE,1.5,#24				
19	2045-491	1	HOSE INTAKE CHARGE				
20	0201-309	2	ADAPTER,FS6400-04-06-0				
21	0310-345	2	ADAPTER,8MFFOR-8MB				
22	0403-001	4	O-RING VALVE RELIEF				
23	2060-080	2	MOTOR HYD DRIVE				
24	2045-686	1	HOSE DRIVE LEFT FORWARD SR70				
25	2045-687	1	HOSE DRIVE LEFT REVERSE SR70				
26	2045-688	1	HOSE CASE DRAIN LEFT SR70				
27	2045-690	1	HOSE BRAKE LH SR70				
28	0310-313	4	ADAPTER,12MFFOR-12MB				
29	2045-668	1	HOSE CASE DRAIN RH				
30	2045-667	1	HOSE DRIVE RIGHT FORWARD				
31	2045-663	1	HOSE DRIVE RIGHT REVERSE				
32	2045-685	1	HOSE BRAKE RH SR70				
33	2045-759	1	VALVE CONTROL W/ RELIEF				
34	2045-086	1	MANIFOLD INTAKE				
35	2045-474	1	KIT FLANGE SKF-24				
36	2045-215	1	PUMP AUXILIARY LOAD SENSE				
37	0201-876	4	VALVE,RELIEF,5500 PSI				
38	0307-169	1	O-RING,4.0" ID x 4-3/16" OD				
39	0403-002	4	O-RING BACK-UP VALVE RELIEF				
40	0302-322	1	GASKET,PTO				



# PILOT GENERATION BLOCK (Serial #: DTH 00682-Current)

Section 12

REF. NO.	PART NUMBER	QTY.	DESCRIPTION	REF. NO.	PART NUMBER	QTY.	DESCRIPTION
1	0201-311	6	ADAPTER,FS6400-04-04-0				
2	0310-329	3	ADAPTER,6MFFOR-6MB				
3	0310-567	1	ADAPTER,8MFFOR-6MB				
4	2045-742	9	VALVE SOLENOID COIL				
5	2045-747	2	VALVE PRESSURE REDUCING PROPORTIONAL				
6	2045-745	1	VALVE PRESSURE REDUCING				
7	2045-746	4	VALVE SHUTTLE				
8	2045-743	1	SPOOL 4-WAY 2-POSITION				
9	2045-744	8	SPOOL 3-WAY 2-POSITION				
10	2045-406	4	BLOCK, PILOT GEN, SR				
11	0307-973	2	PLUG,4MB, SOCKET HEAD PLUG				
12	0304-188	2	PLUG,6 ORING,HH				



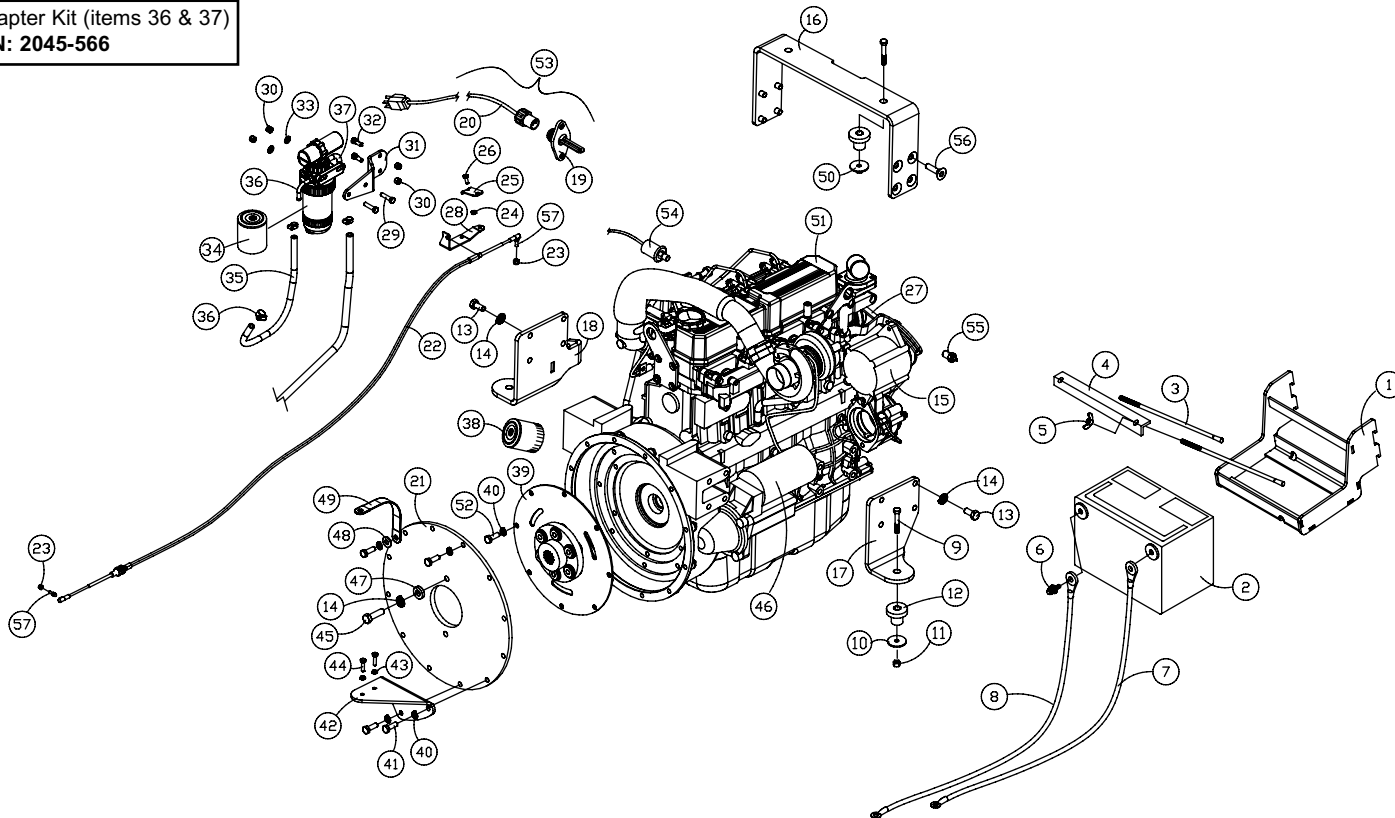


# ENGINE ASSEMBLY (Serial #: DTH 00682-Current)

REF. NO.	PART NUMBER	QTY.	DESCRIPTION	REF. NO.	PART NUMBER	QTY.	DESCRIPTION
1	2045-139	1	WLMT BOX BATTERY	41	0301-389	20	CAPSCREW,HH,M10 x 1.50 x 30,ZN
2	0200-160	1	BATTERY,50 SERIES	42	2045-348	1	BRKT FILTER CASE DRAIN
3	2045-142	2	HOOK BATTERY	43	8051-212	2	WASHER,SPRING LOCK,1/4,ZN
4	2045-141	2	CLAMP BATTER	44	8102-042	2	CAPSCREW, HH 1/4-20UNC 1" GD8
5	0300-692	2	NUT,WING,1/4-20	45	8102-406	2	CAPSCREW,HH,1/2-13UNCx1.75,GD8
6	0304-335	2	BOLT,BATTERY,SIDEMOUNT	46	2045-749	1	STARTER,SR-70/80
7	2045-489	1	CABLE,BATTERY,GROUND	47	0304-404	2	WASHER,FLAT,1.125 OD x .5 ID x 1/4,ZN
8	2045-490	1	CABLE,BATTERY,POSITIVE	48	8051-282	1	WASHER,SPRING LOCK,7/16,ZN
9	8102-561	4	CAPSCREW,HH,5/8-11UNCx3.00,GD8	49	0300-546	1	CABLE,GROUND,ENGINE
10	0201-409	4	WASHER,MNT,MOTOR	50	0090-042	2	WASHER NUT 5/8-11 TOPLOCK
11	8040-726	4	NUT,HEX,NYLOCK,5/8-11 UNC,ZN	51	2045-401	1	ENGINE,PERKINS,804C-33T,71
12	0201-315	2	MOTOR,MOUNT,RUBBER	52	0303-095	8	CAPSCREW,HH,M10 x 1.5 x 25,ZN
13	0310-523	8	CAPSCREW,HH M12 x 1.75 x 25mm	53	2045-658	1	ASSY,BLOCK HEATER
14	8051-332	10	WASHER,SPRING LOCK,1/2,ZN	54	2045-384	1	SENDING UNIT,OIL PRESSURE
15	2045-750	1	ALTERNATOR,SR-70/80	55	2045-382	1	SENDING UNIT,COOLANT TEMP
16	2045-083	1	BRIDGE MNT MOTOR	56	0090-044	8	CAPSCREW FHS M12 x 1.75 x 30MM
17	2045-091	1	MNT MOTOR LH REAR	57	2045-565	2	JOINT BALL SNAP CLIP
18	2045-220	1	WLMT MNT MOTOR A/C				
19	2045-676	1	HEATER,BLOCK				
20	2045-675	1	CORD, BLOCK HEATER				
21	0304-900	1	MNT,PLATE,PUMP				
22	2045-564	1	CABLE THROTTLE SR				
23	8040-396	2	NUT,HEX,NYLOCK,1/4-28 UNF,ZN				
24	0307-783	1	NUT,HEX,M6x1.0,NYLOCK				
25	2045-437	1	LEVER THROTTLE				
26	0304-465	1	CAPSCREW,HH,M6-1.0x16mm				
27	2045-751	1	BELT,FAN/ALTERNATOR				
28	2045-439	1	WLMT PLATE MNT				
29	8102-225	2	CAPSCREW,HH,3/8-16 UNCx1.5,GD8				
30	8040-486	4	NUT,HEX,NYLOCK,3/8-16 UNC,ZN				
31	2045-227	1	BRKT FILTER FUEL				
32	8102-222	2	CAPSCREW,HH,3/8-16 UNCx1.0,GD8				
33	8050-277	2	WASHER,WROUGHT,3/8,SAE,ZN				
34	2045-218	1	FILTER FUEL				
35	2045-650	1	HOSE FUEL PRESSURE 24"				
36	2045-614	1	ADAPTER 06-05-NWO-90				
37	2045-613	1	ADAPTER 08-05-NWO-90L				
38	2045-752	1	FILTER,ENGINE OIL				
39	2045-247	1	COUPLING FLYWHEEL				
40	0301-781	22	WASHER,SPLIT LOCK,10mm,ZN				

Fuel Pump (complete, does not include items 36 & 37) P/N: 2045-802

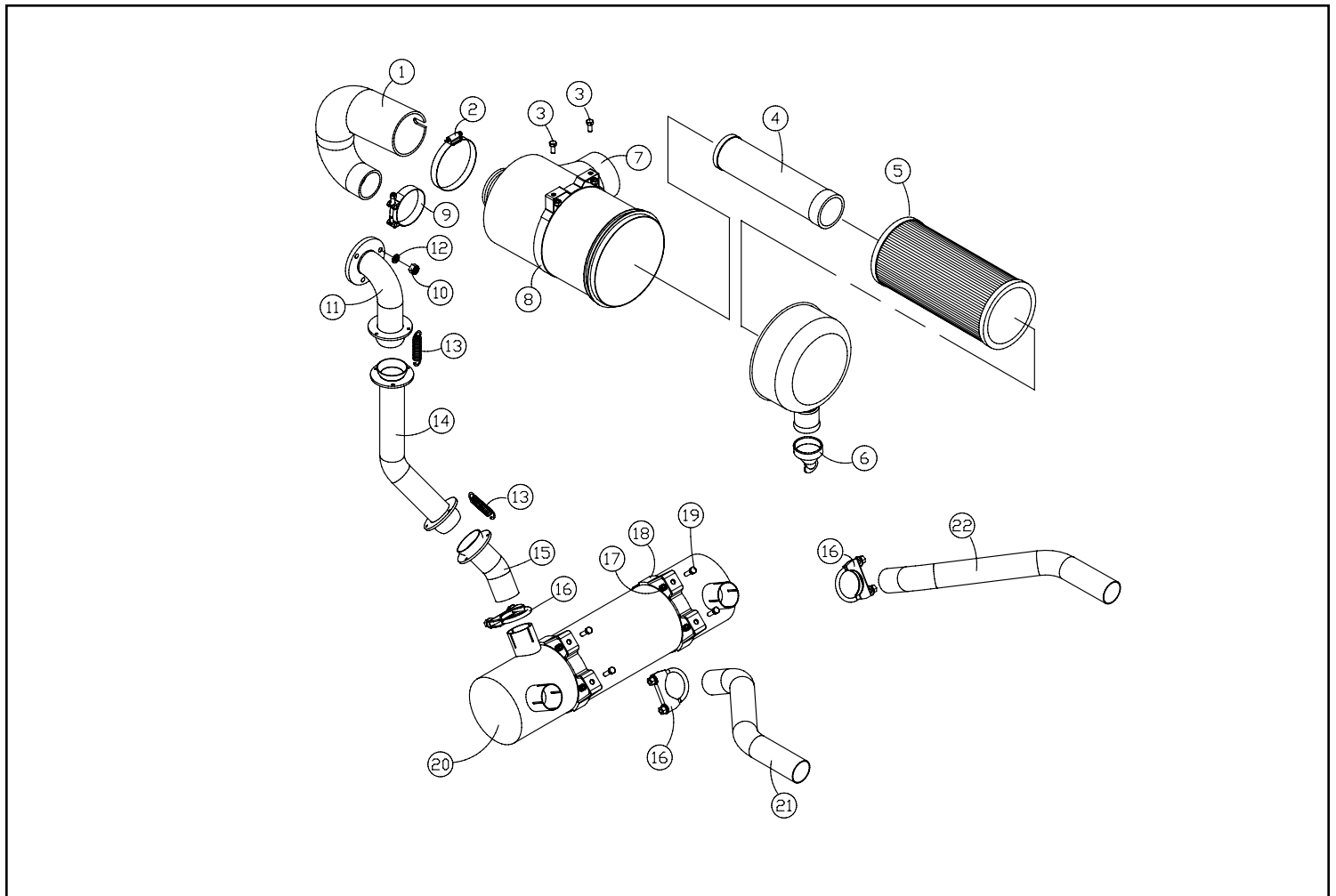
Adapter Kit (items 36 & 37) P/N: 2045-566



# INTAKE/EXHAUST ASSEMBLIES (Serial #: DTH 00682-Current)

Section 14

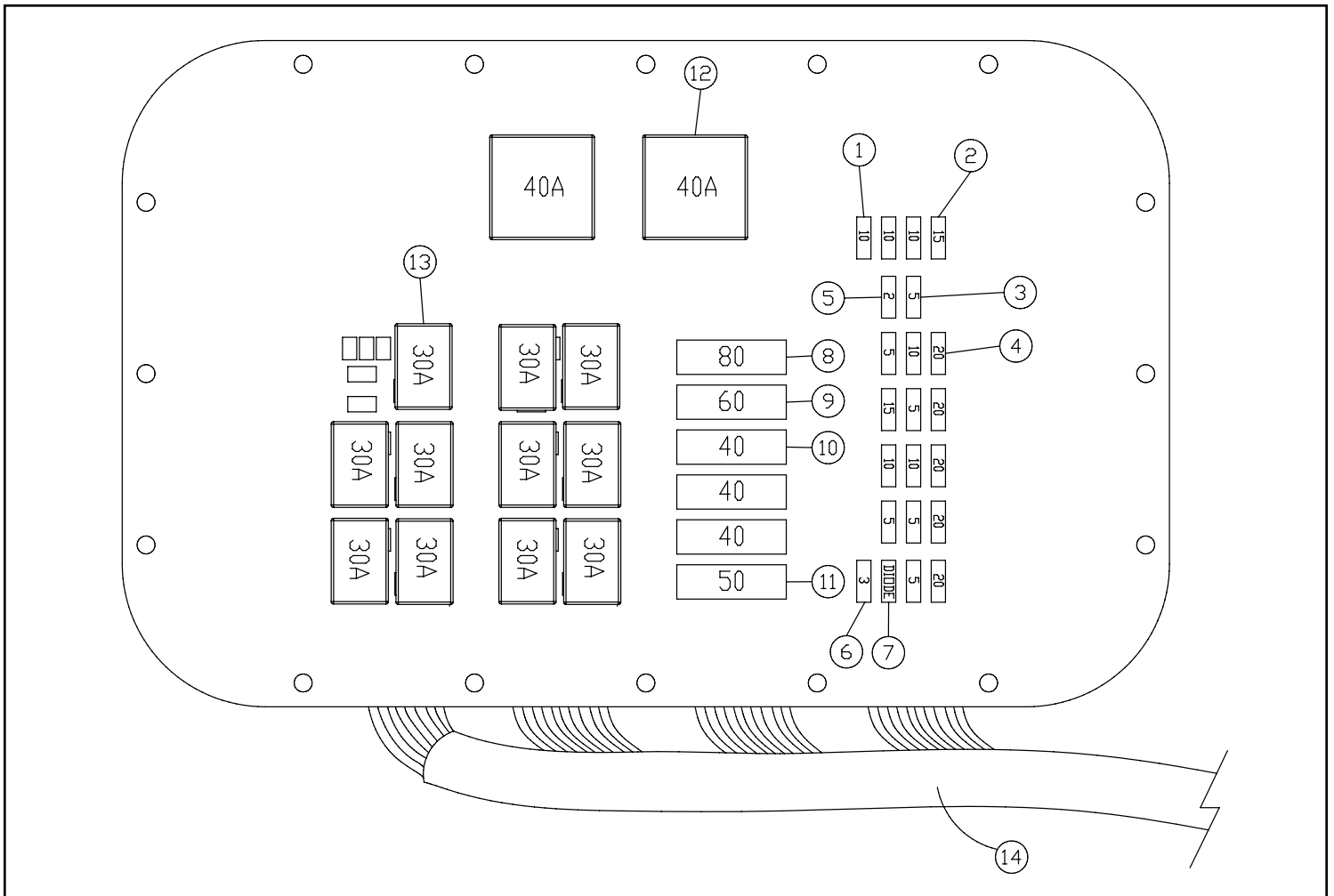
REF. NO.	PART NUMBER	QTY.	DESCRIPTION	REF. NO.	PART NUMBER	QTY.	DESCRIPTION
1	2045-118	1	TUBE INTAKE ENGINE				
2	2045-558	1	CLAMP HOSE 3.75X4.625				
3	8102-130	2	CAPSCREW,HH 5/16-18x3/4,GR8				
4	0403-004	1	FILTER SAFETY				
5	0403-003	1	FILTER PRIMARY				
6	0201-534	1	VALVE,VACUATOR				
7	2045-248	1	ASSY FILTER AIR				
8	0307-231	1	CLAMP,MOUNT,AIR CLEANER				
9	0310-429	1	CLAMP, T-BOLT, 2.75"				
10	0312-051	3	NUT,HEX,M8 x 1.25				
11	2045-193	1	WLMT FLANGE EXHAUST				
12	8051-242	3	WASHER,SPRING LOCK,5/16,ZN				
13	2045-777	6	SPRING,TAIPIPE				
14	2045-154	1	ASSY MID PIPE EXHAUST				
15	2045-153	1	ASSY INLET EXHAUST				
16	0300-263	1	CLAMP,MUFFLER,2"				
17	8040-426	6	NUT,HEX,NYLOCK,5/16-18 UNC,ZN				
18	2045-555	2	BAND MNT MUFFLER				
19	8102-132	4	CAPSCREW,HH,5/16-18UNCx1.0 GD8				
20	2076-243	1	MUFFLER DUAL OUTLET				
21	2045-053	1	PIPE TAIL RH				
22	2045-054	1	PIPE TAIL RH				



# FUSE PANEL ASSEMBLY (Serial #: DTH 00682-Current)

Section 15

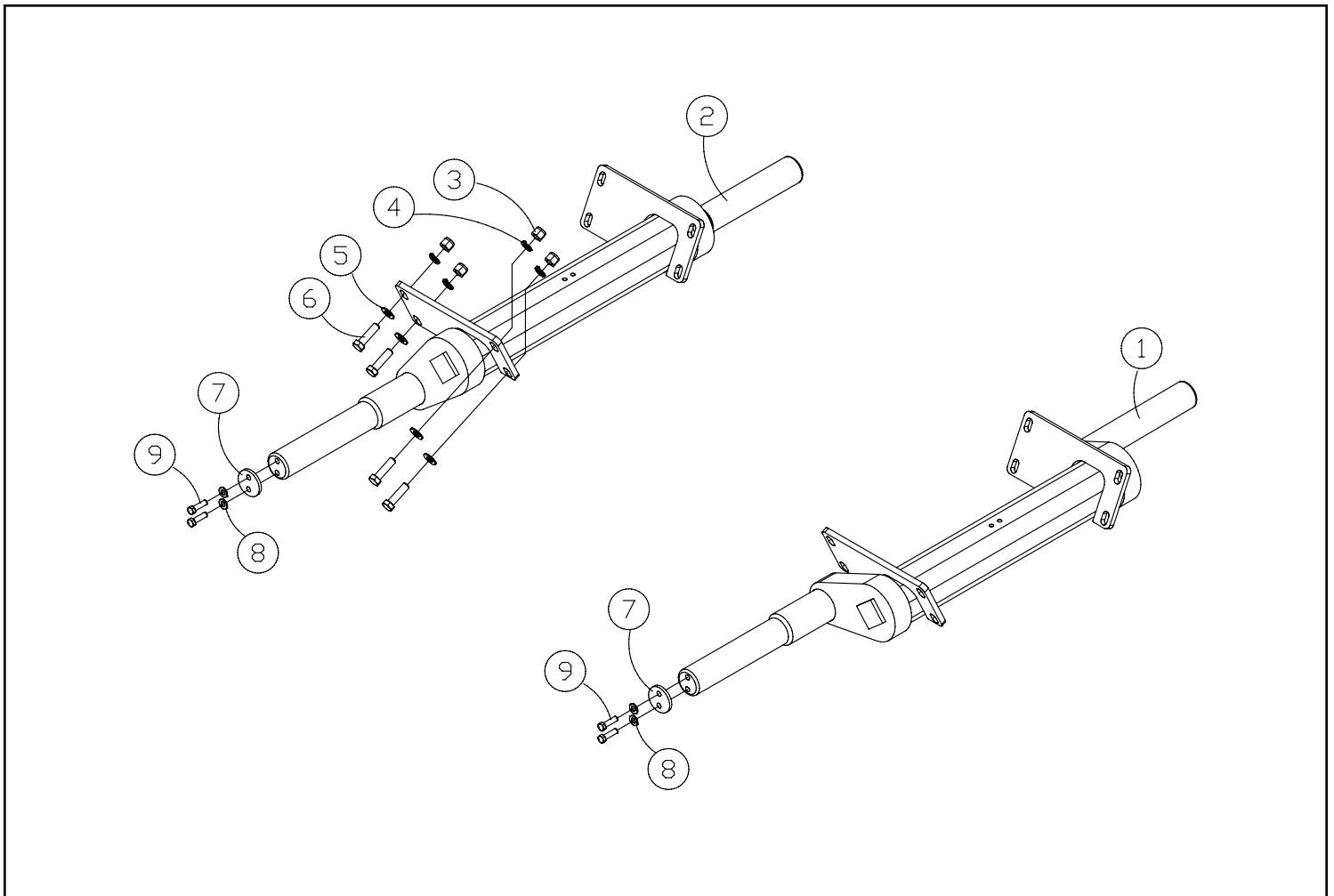
REF. NO.	PART NUMBER	QTY.	DESCRIPTION	REF. NO.	PART NUMBER	QTY.	DESCRIPTION
1	0310-795	6	FUSE,MINI,10 AMP				
2	0310-796	2	FUSE,MINI,15 AMP				
3	0310-794	6	FUSE,MINI, 5 AMP				
4	0310-797	5	FUSE,MINI,20 AMP				
5	0310-793	1	FUSE,MINI,2 AMP				
6	0201-779	1	FUSE,MINI,3 AMP				
7	0310-811	1	DIODE, 3 AMP				
8	0310-805	1	FUSE,MAXI, 80 AMP				
9	0310-804	1	FUSE,MAXI, 60 AMP				
10	0310-802	3	FUSE,MAXI, 40 AMP				
11	0310-803	1	FUSE,MAXI, 50 AMP				
12	0310-808	2	RELAY,MINI,40 AMP				
13	2045-741	11	RELAY 12V MICRO 30 AMP				
14	2045-982	1	HARNESS MAIN W/ FUSE PANEL				



# TORSION AXLE ASSEMBLY (Serial #: DTH 00682-Current)

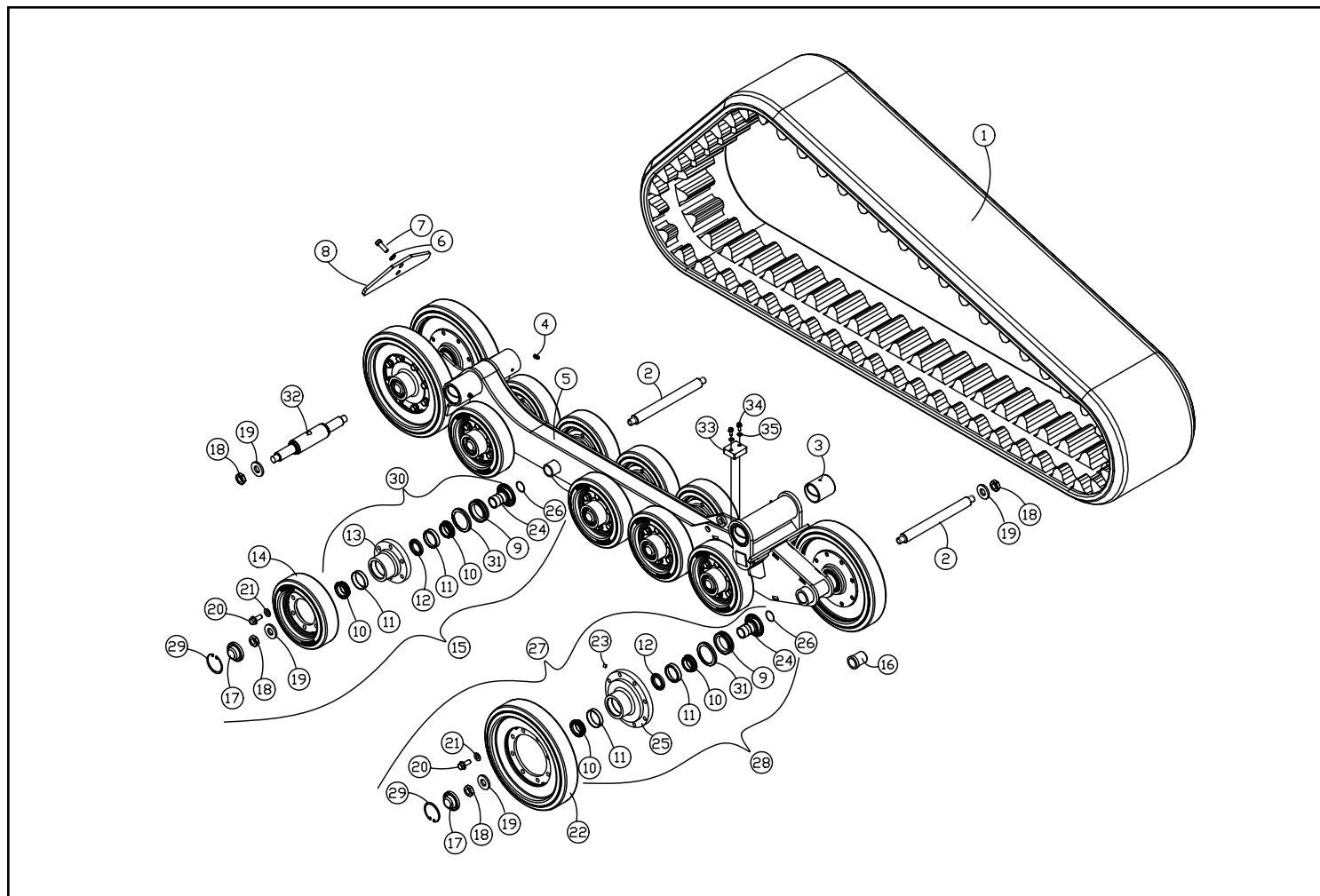
Section 16

REF. NO.	PART NUMBER	QTY.	DESCRIPTION	REF. NO.	PART NUMBER	QTY.	DESCRIPTION
1	2035-866	1	AXLE FRONT CAMBERED 70				
2	2035-867	1	AXLE REAR CAMBERED 70				
3	8040-726	16	NUT,HEX,NYLOCK,5/8-11 UNC,ZN				
4	8051-431	16	WASHER,SPRING LOCK,5/8,ZN				
5	8050-407	16	WASHER,5/8 x .120,ZN				
6	8102-588	16	CAPSCREW,HH,5/8-11UNCx2.25,GD8				
7	0201-148	2	RETAINER,AXLE				
8	0201-574	8	WASHER,SPRING, LOCK,12MM				
9	0201-547	4	CAPSCREW,HH,M12 x 1.75 x 55MM				



# UNDERCARRIAGE ASSEMBLY, RT (Serial #: DTH 00682-719)

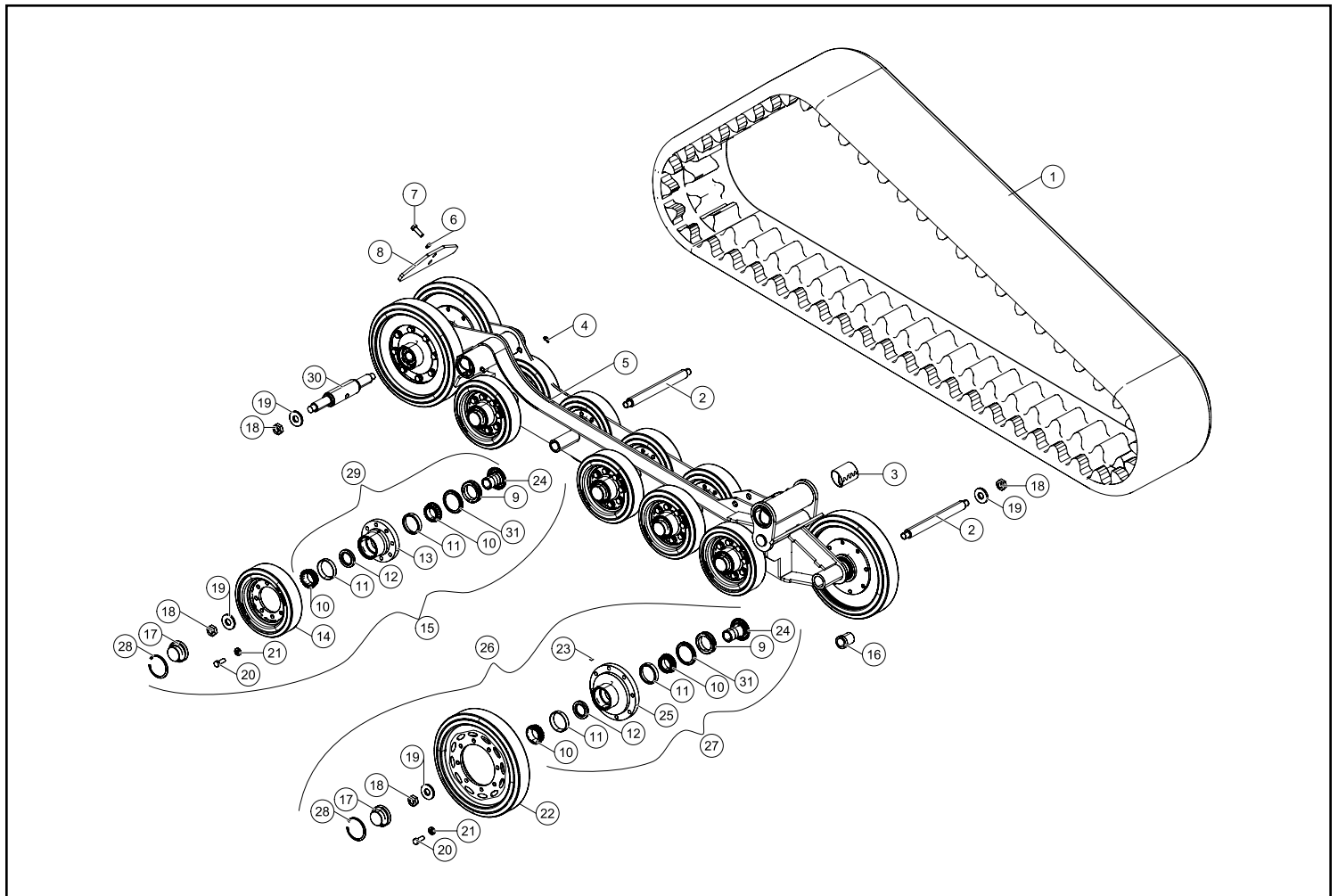
REF. NO.	PART NUMBER	QTY.	DESCRIPTION	REF. NO.	PART NUMBER	QTY.	DESCRIPTION
1	2035-307	1	TRACK 15"x201.45"				
2	2035-745	6	AXLE FRONT 11.741"				
3	2035-215	4	BUSHING,SPRING,2.50x2.75x3.00				
4	0304-427	4	FITTING,GREASE,1/8 NPT x 45^				
5	2035-407	1	WLMT RAIL ALPHA LONG				
6	2035-597	2	WASHER WROUGHT .0513 x .886 x 0118 HARD ZN				
7	8102-405	2	CAPSCREW,HH,1/2-13 UNCx1.5,GD8				
8	2035-637	1	PLATE SCRAPER				
9	2035-438	14	ASSY,SEAL,53MM				
10	0702-363	28	BEARING CONE				
11	0702-362	28	BEARING CUP				
12	0702-368	14	SEAL LIP				
13	0702-361	10	HUB 10" 8 BOLT MACHINED				
14	2035-644	10	WHEEL 10" ALPHA BOLT ON				
15	0403-726	10	ASSY RUBBER WHEEL SERVICE 10" METAL FACE				
16	2035-518	2	BUSHING FRONT ALPHA C-SERIES				
17	0702-365	14	CAP HUB RUBBER BONDED				
18	2035-595	14	NUT HEX JAM LOCKING 7/8-9 UNC				
19	0702-364	14	WASHER HARD .25 x 2.125 x .935				
20	2035-659	92	CAPSCREW HH 1/2-13 x 1.375 GR8				
21	0090-136	92	WASHER HARD 1.0 X .531 X .197				
22	2035-643	4	WHEEL 15" SR70				
23	2035-479	14	PLUG 1/8" NPT HEX CS				
24	0702-367	14	WLMT RETAINER 53MM				
25	0702-370	4	HUB 14" 8 BOLT MACHINED				
26	2035-596	14	O-RING,.0625" X 1.325" X 1.5",NITRILE,-028				
27	0403-942	4	ASSY,WHEEL 15" SERVICE				
28	0702-369	4	ASSY HUB 14" 8 BOLT				
29	0702-371	14	SNAP RING .093 x .3.25				
30	0702-360	10	ASSY HUB 10" 8 BOLT				
31	2035-391	14	RETAINER INNER 53MM				
32	2035-746	1	AXLE REAR SR70				
33	2035-840	1	PLATE STOP				
34	8102-220	2	CAPSCREW,HH,3/8-16x0.75",GD8				
35	0090-104	2	WASHER .402 x .728 x .098 HARD				



# UNDERCARRIAGE ASSEMBLY, RT (Serial #: DTH 00720-Current)

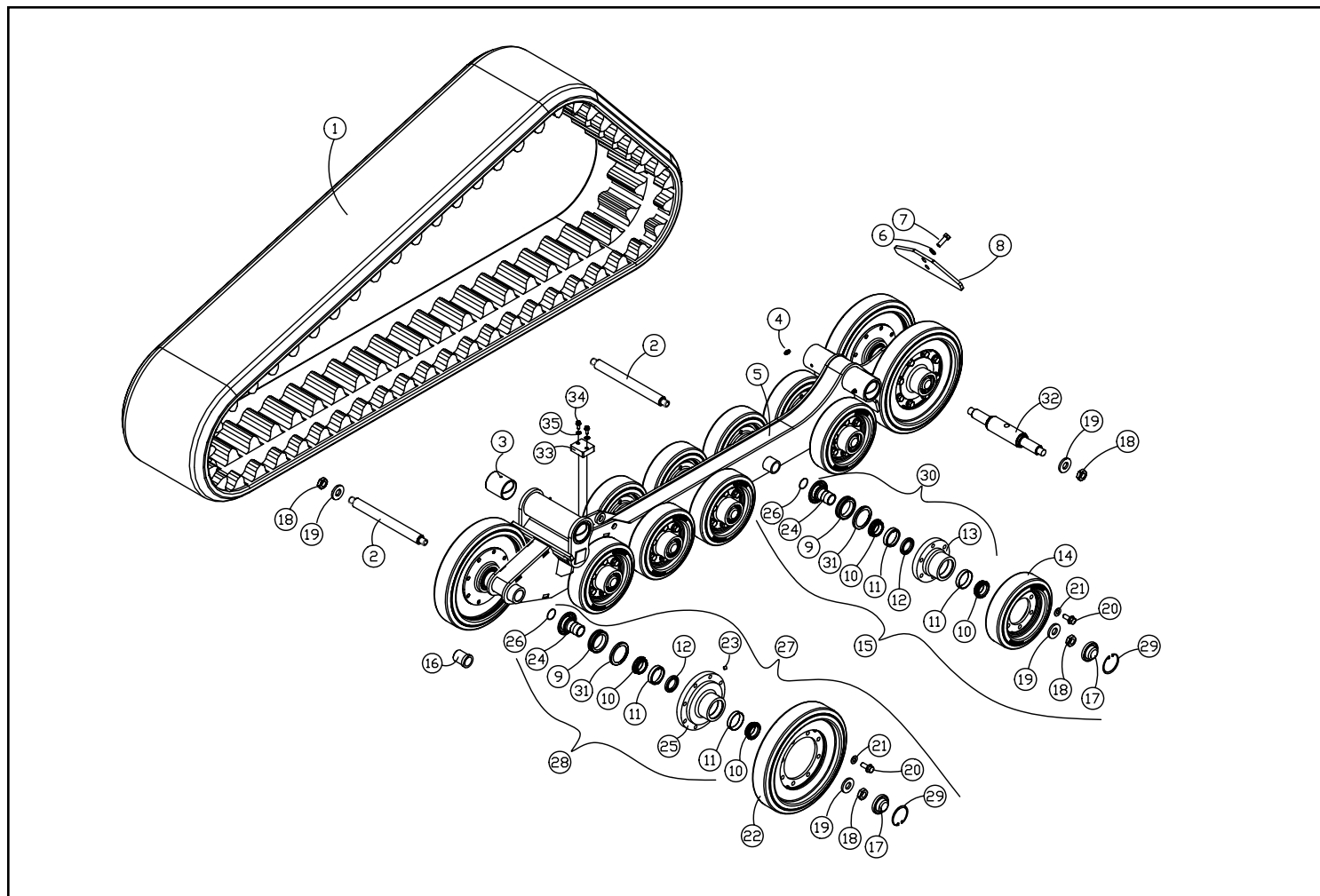
Section 17

REF. NO.	PART NUMBER	QTY.	DESCRIPTION	REF. NO.	PART NUMBER	QTY.	DESCRIPTION
1	2035-307	1	TRACK 15"x201.45"				
2	2035-433	6	WLMT AXLE WHEEL				
3	2035-215	4	BUSHING,SPRING,2.50x2.75x3.00				
4	0304-427	4	FITTING,GREASE,1/8 NPT x 45^				
5	2035-407	1	WLMT RAIL ALPHA LONG				
6	2035-597	4	WASHER WROUGHT .0513 x .886 x 0118 HARD ZN				
7	8102-405	4	CAPSCREW,HH,1/2-13 UNCx1.5,GD8				
8	2035-637	2	PLATE SCRAPER				
9	2035-438	14	ASSY,SEAL,53MM				
10	2035-395	28	BEARING,CONE,NP952605				
11	0702-362	28	BEARING,CUP				
12	0702-368	14	SEAL,LIP				
13	0702-361	10	HUB,10", 8 BOLT, MACHINED				
14	2035-644	10	WHEEL 10" SR-70				
15	0702-436	10	ASSY WHEEL 10" RUBBER				
16	2035-518	2	BUSHING FRONT ALPHA C-SERIES				
17	0702-365	14	CAP,WHEEL RUBBER BONDED				
18	2035-595	14	NUT HEX JAM LOCKING 7/8-9 UNC				
19	0702-364	8	WASHER, HARD .25 x 2.125 x .935				
20	2035-659	92	BOLT FLANGE 1/2-13 x 1.375"				
21	0090-136	92	WASHER,HARD, 1.0 x .531 x .197				
22	0702-264	4	WHEEL 14" W/PLATE				
23	2035-479	14	PLUG 1/8" NPT HEX CS				
24	0702-367	14	WLMT, RETAINER, 53MM				
25	0702-370	4	HUB,14" MACHINED				
26	0702-435	4	ASSY WHEEL 14" RUBBER				
27	0702-419	4	ASSY HUB 14"				
28	0702-371	14	RING,SNAP,.093 x 3.25				
29	0702-360	10	ASSY HUB 10" 8 BOLT				
30	2035-746	1	AXLE REAR PT70				
31	2035-391	14	RETAINER INNER 53MM				



# UNDERCARRIAGE ASSEMBLY, LT (Serial #: DTH 00682-719)

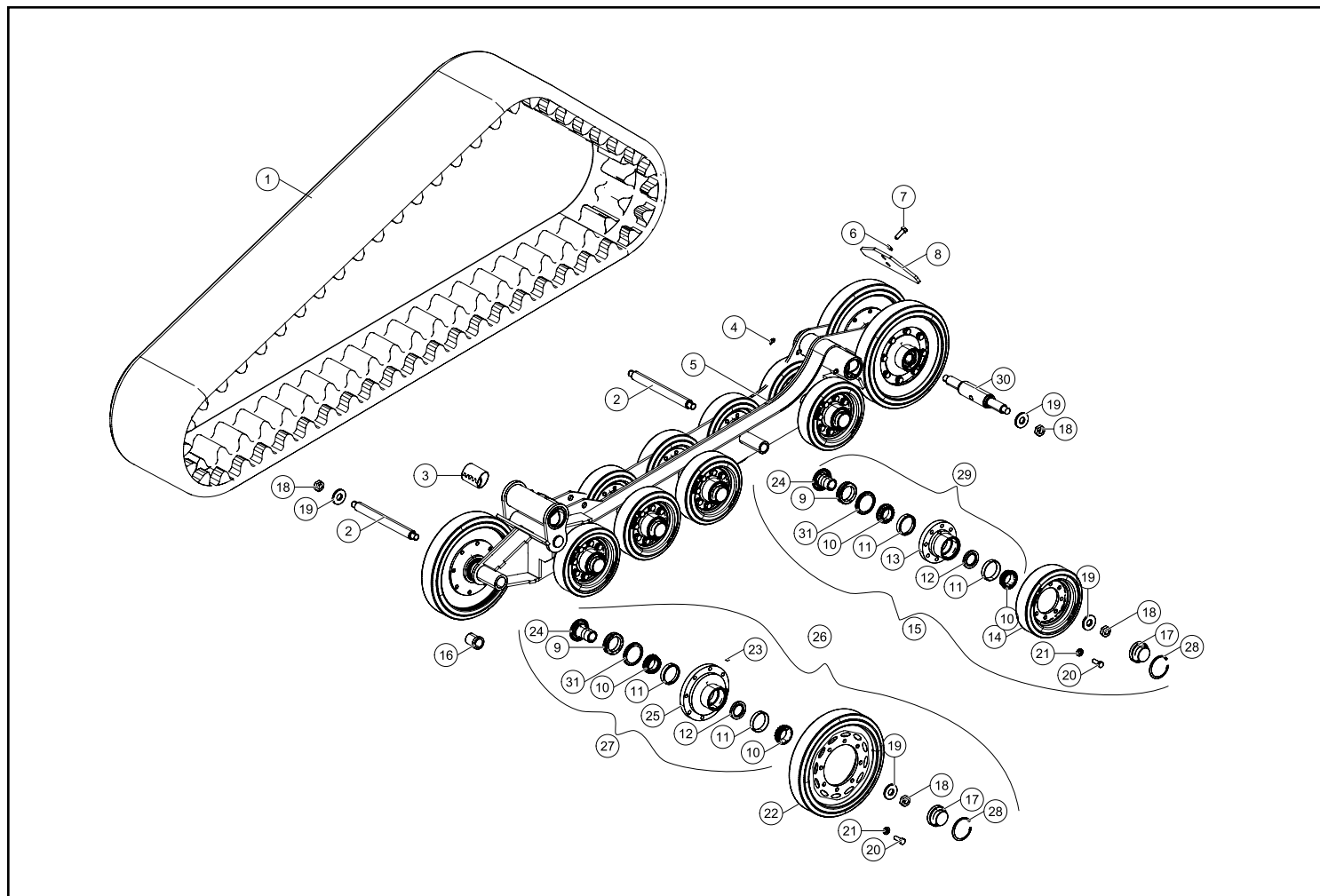
REF. NO.	PART NUMBER	QTY.	DESCRIPTION	REF. NO.	PART NUMBER	QTY.	DESCRIPTION
1	2035-307	1	TRACK 15"x201.45"				
2	2035-745	6	AXLE FRONT 11.741"				
3	2035-215	4	BUSHING,SPRING,2.50x2.75x3.00				
4	0304-427	4	FITTING,GREASE,1/8 NPT x 45^				
5	2035-407	1	WLMT RAIL ALPHA LONG				
6	2035-597	2	WASHER WROUGHT .0513 x .886 x 0118 HARD ZN				
7	8102-405	2	CAPSCREW,HH,1/2-13 UNCx1.5,GD8				
8	2035-637	1	PLATE SCRAPER				
9	2035-438	14	ASSY,SEAL,53MM				
10	0702-363	28	BEARING CONE				
11	0702-362	28	BEARING CUP				
12	0702-368	14	SEAL LIP				
13	0702-361	10	HUB 10" 8 BOLT MACHINED				
14	2035-644	10	WHEEL 10" ALPHA BOLT ON				
15	0403-726	10	ASSY RUBBER WHEEL SERVICE 10" METAL FACE				
16	2035-518	2	BUSHING FRONT ALPHA C-SERIES				
17	0702-365	14	CAP HUB RUBBER BONDED				
18	2035-595	14	NUT HEX JAM LOCKING 7/8-9 UNC				
19	0702-364	14	WASHER HARD .25 x 2.125 x .935				
20	2035-659	92	CAPSCREW HH 1/2-13 x 1.375 GR8				
21	0090-136	92	WASHER HARD 1.0 X .531 X .197				
22	2035-643	4	WHEEL 15" SR70				
23	2035-479	14	PLUG 1/8" NPT HEX CS				
24	0702-367	14	WLMT RETAINER 53MM				
25	0702-370	4	HUB 14" 8 BOLT MACHINED				
26	2035-596	14	O-RING,.0625" X 1.325" X 1.5",NITRILE,-028				
27	0403-942	4	ASSY,WHEEL 15" SERVICE				
28	0702-369	4	ASSY HUB 14" 8 BOLT				
29	0702-371	14	SNAP RING .093 x .3.25				
30	0702-360	10	ASSY HUB 10" 8 BOLT				
31	2035-391	14	RETAINER INNER 53MM				
32	2035-746	1	AXLE REAR SR70				
33	2035-840	1	PLATE STOP				
34	8102-220	2	CAPSCREW,HH,3/8-16x0.75",GD8				
35	0090-104	2	WASHER .402 x .728 x .098 HARD				



# UNDERCARRIAGE ASSEMBLY, LT (Serial #: DTH 00720-Current)

Section 18

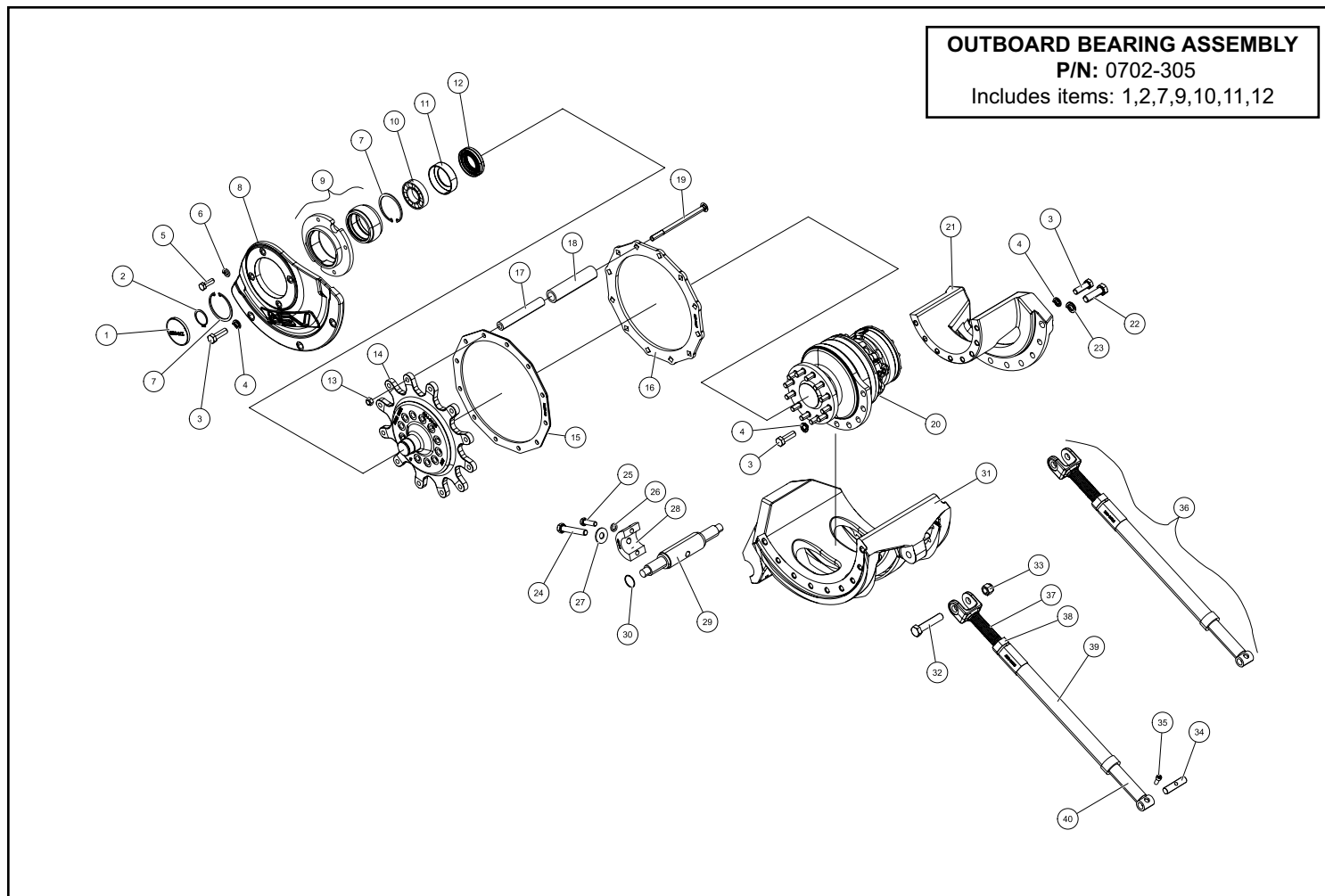
REF. NO.	PART NUMBER	QTY.	DESCRIPTION	REF. NO.	PART NUMBER	QTY.	DESCRIPTION
1	2035-307	1	TRACK 15"x201.45"				
2	2035-745	6	AXLE FRONT 11.741"				
3	2035-215	4	BUSHING,SPRING,2.50x2.75x3.00				
4	0304-427	4	FITTING,GREASE,1/8 NPT x 45^				
5	2035-407	1	WLMT RAIL ALPHA LONG				
6	2035-597	2	WASHER WROUGHT .0513 x .886 x 0118 HARD ZN				
7	8102-405	2	CAPSCREW,HH,1/2-13 UNCx1.5,GD8				
8	2035-637	1	PLATE SCRAPER				
9	2035-438	14	ASSY,SEAL,53MM				
10	0702-363	28	BEARING CONE				
11	0702-362	28	BEARING CUP				
12	0702-368	14	SEAL LIP				
13	8102-220	2	CAPSCREW,HH,3/8-16x0.75",GD8				
14	2035-644	10	WHEEL 10" ALPHA BOLT ON				
15	0702-373	10	ASSY RUBBER WHEEL SERVICE 10" METAL FACE				
16	2035-518	2	BUSHING FRONT ALPHA C-SERIES				
17	0702-365	14	CAP HUB RUBBER BONDED				
18	2035-595	14	NUT HEX JAM LOCKING 7/8-9 UNC				
19	0702-364	14	WASHER HARD .25 x 2.125 x .935				
20	2035-659	92	CAPSCREW HH 1/2-13 x 1.375 GR8				
21	0090-136	92	WASHER HARD 1.0 X .531 X .197				
22	2035-643	4	WHEEL 15" SR70				
23	2035-479	14	PLUG 1/8" NPT HEX CS				
24	0702-367	14	WLMT RETAINER 53MM				
25	0090-104	2	WASHER .402 x .728 x .098 HARD				
26	2035-596	14	O-RING,.0625" X 1.325" X 1.5",NITRILE,-028				
27	0403-942	4	ASSY,WHEEL 15" SERVICE				
28	0702-369	4	ASSY HUB 14" 8 BOLT				
29	0702-371	14	SNAP RING .093 x .3.25				
30	0702-360	10	ASSY HUB 10" 8 BOLT				
31	2035-391	14	RETAINER INNER 53MM				
32	2035-746	1	AXLE REAR SR70				
33	2035-840	1	PLATE STOP				





# DRIVE TABLE ASSEMBLY, RT (Serial #: DTH 00682-Current)

REF. NO.	PART NUMBER	QTY.	DESCRIPTION	REF. NO.	PART NUMBER	QTY.	DESCRIPTION
1	0702-294	1	END CAP 3.346 x .295				
2	0700-145	1	RING,SNAP,EXT,45mm				
3	8102-587	18	CAPSCREW,HH 5/8-11UNCx 2.0 GD8				
4	8051-431	18	WASHER,SPRING LOCK,5/8,ZN				
5	8102-405	4	CAPSCREW,HH,1/2-13 UNCx1.5,GD8				
6	8051-332	4	WASHER,SPRING LOCK,1/2,ZN				
7	0700-144	2	RING,SNAP,INT,85mm				
8	2035-592	1	PLATE BEARING MACHINED				
9	0702-291	1	ASSY HOUSING BEARING				
10	0702-324	1	BEARING (6209)				
11	0702-295	1	RETAINER SEAL				
12	2035-134	1	SEAL 1.975 x 3.370 x .763				
13	0700-124	12	NUT,TOPLock,1/2-13UNC,ZN,GD8				
14	0702-230	1	SPROCKET,CAST,MACHINED				
15	2035-614	1	RING SPROCKET SR70				
16	2035-120	1	RING,SPROCKET,BONFIG				
17	2045-409	12	TUBE INNER				
18	2045-410	12	TUBE OUTER				
19	2035-555	12	BOLT CARRIAGE 1/2-13 UNC x 8.5"				
20	2060-080	1	MOTOR,DRIVE 820 CC				
21	2035-455	1	MOUNT MACHINE REXROTH				
22	8102-679	2	CAPSCREW,HH,3/4-10UNCx2.50,GD8				
23	8051-440	2	WASHER,SPRING LOCK,3/4,ZN				
24	0090-026	1	CAPSCREW HH 5/8-11 x 3.75				
25	8102-406	2	CAPSCREW,HH,1/2-13UNCx1.75,GD8				
26	2035-597	2	WASHER WROUGHT .0513 x .886 x 0118 HARD				
27	8050-406	1	WASHER,WROUGHT,5/8,STD,ZN				
28	2035-062	1	CAP,AXLE				
29	2035-439	1	AXLE REAR ALPHA LONG				
30	2035-596	14	O-RING 1/16 x 1.375 x 1.5 NITRILE, -028				
31	2035-590	1	TABLE MACHINE REXROTH				
32	0304-408	1	CAPSCREW,HH,3/4-10UNC3.75,GD8,				
33	8040-786	1	NUT,HEX,NYLOCK,3/4-10 UNC,ZN				
34	2035-308	1	PIN,TENSIONER,THREADED				
35	2035-471	1	CAPSCREW SOC HD 3/8-16 x 1				
36	2035-142	1	TURNBUCKLE,LIGHT				
37	2035-448	1	CLEVIS END TENSIONER MACHINED				
38	0304-077	1	NUT,HEX,JAM,1 1/4 - 7,RH				
39	2035-382	1	WLMT TENSIONER CENTER HEX				
40	2035-310	1	WLMT,TENSIONER END,W/HOLE				



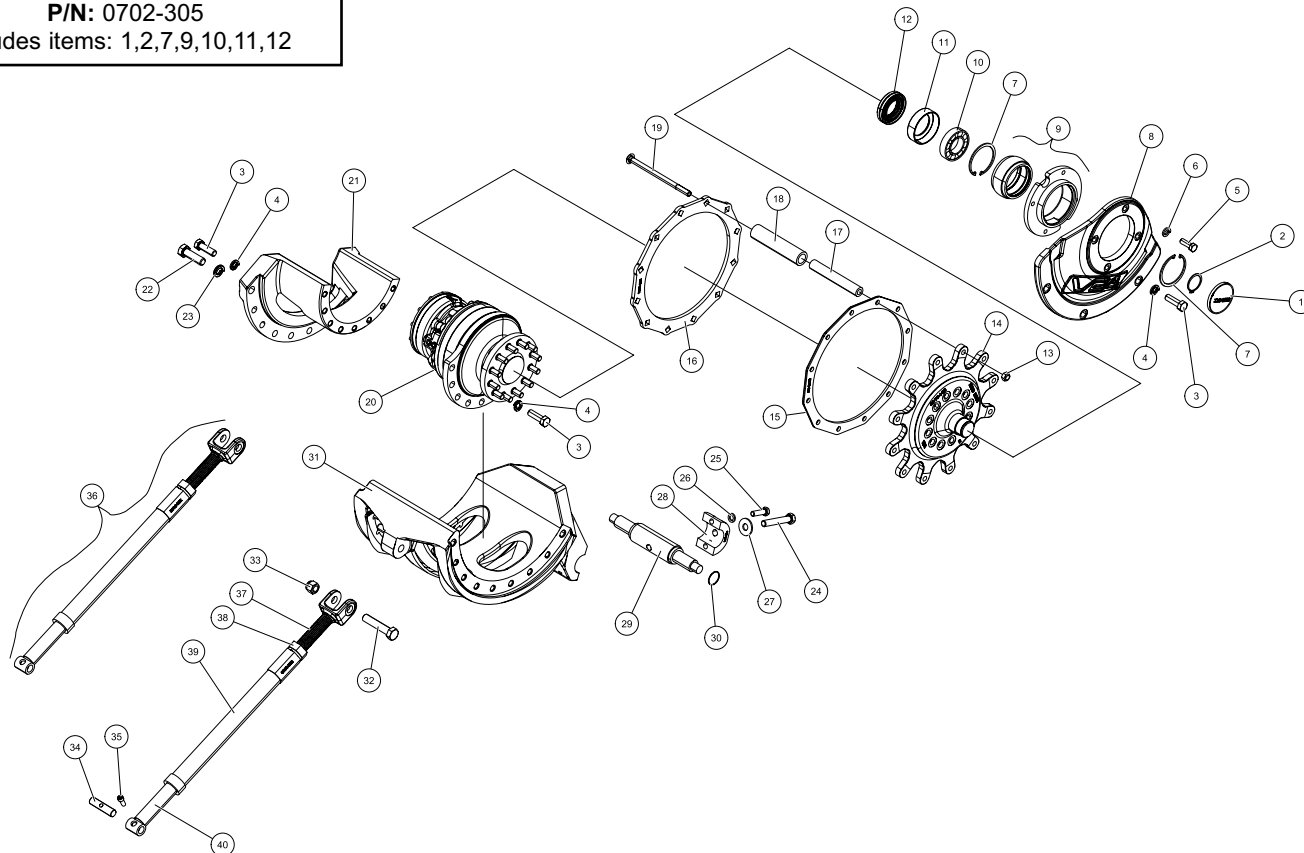
# DRIVE TABLE ASSEMBLY, LT (Serial #: DTH 00682-Current)

REF. NO.	PART NUMBER	QTY.	DESCRIPTION	REF. NO.	PART NUMBER	QTY.	DESCRIPTION
1	0702-294	1	END CAP 3.346 x .295				
2	0700-145	1	RING,SNAP,EXT,45mm				
3	8102-587	18	CAPSCREW,HH 5/8-11UNCx 2.0 GD8				
4	8051-431	18	WASHER,SPRING LOCK,5/8,ZN				
5	8102-405	4	CAPSCREW,HH,1/2-13 UNCx1.5,GD8				
6	8051-332	4	WASHER,SPRING LOCK,1/2,ZN				
7	0700-144	2	RING,SNAP,INT,85mm				
8	2035-592	1	PLATE BEARING MACHINED				
9	0702-291	1	ASSY HOUSING BEARING				
10	0702-324	1	BEARING (6209)				
11	0702-295	1	RETAINER SEAL				
12	2035-134	1	SEAL 1.975 x 3.370 x .763				
13	0700-124	12	NUT,TOPLock,1/2-13UNC,ZN,GD8				
14	0702-230	1	SPROCKET,CAST,MACHINED				
15	2035-614	1	RING SPROCKET SR70				
16	2035-120	1	RING,SPROCKET,BONFIG				
17	2045-409	12	TUBE INNER				
18	2045-410	12	TUBE OUTER				
19	2035-555	12	BOLT CARRIAGE 1/2-13 UNC x 8.5"				
20	2060-080	1	MOTOR,DRIVE 820 CC				
21	2035-455	1	MOUNT MACHINE REXROTH				
22	8102-679	2	CAPSCREW,HH,3/4-10UNCx2.5,GD8				
23	8051-440	2	WASHER,SPRING LOCK,3/4,ZN				
24	0090-026	1	CAPSCREW HH 5/8-11 x 3.75				
25	8102-406	2	CAPSCREW,HH,1/2-13UNCx1.75,GD8				
26	2035-597	2	WASHER WROUGHT .0513 x .886 x 0118 HARD				
27	8050-406	1	WASHER,WROUGHT,5/8,STD,ZN				
28	2035-062	1	CAP,AXLE				
29	2035-439	1	AXLE REAR ALPHA LONG				
30	2035-596	14	O-RING 1/16 x 1.375 x 1.5 NITRILE, -028				
31	2035-590	1	TABLE MACHINE REXROTH				
32	0304-408	1	CAPSCREW,HH,3/4-10UNC3.75,GD8,				
33	8040-786	1	NUT,HEX,NYLOCK,3/4-10 UNC,ZN				
34	2035-308	1	PIN,TENSIONER,THREADED				
35	2035-471	1	CAPSCREW SOC HD 3/8-16 x 1				
36	2035-142	1	TURNBUCKLE,LIGHT				
37	2035-448	1	CLEVIS END TENSIONER MACHINED				
38	0304-077	1	NUT,HEX,JAM,1 1/4 - 7,RH				
39	2035-382	1	WLMT TENSIONER CENTER HEX				
40	2035-310	1	WLMT,TENSIONER END,W/HOLE				

## OUTBOARD BEARING ASSEMBLY

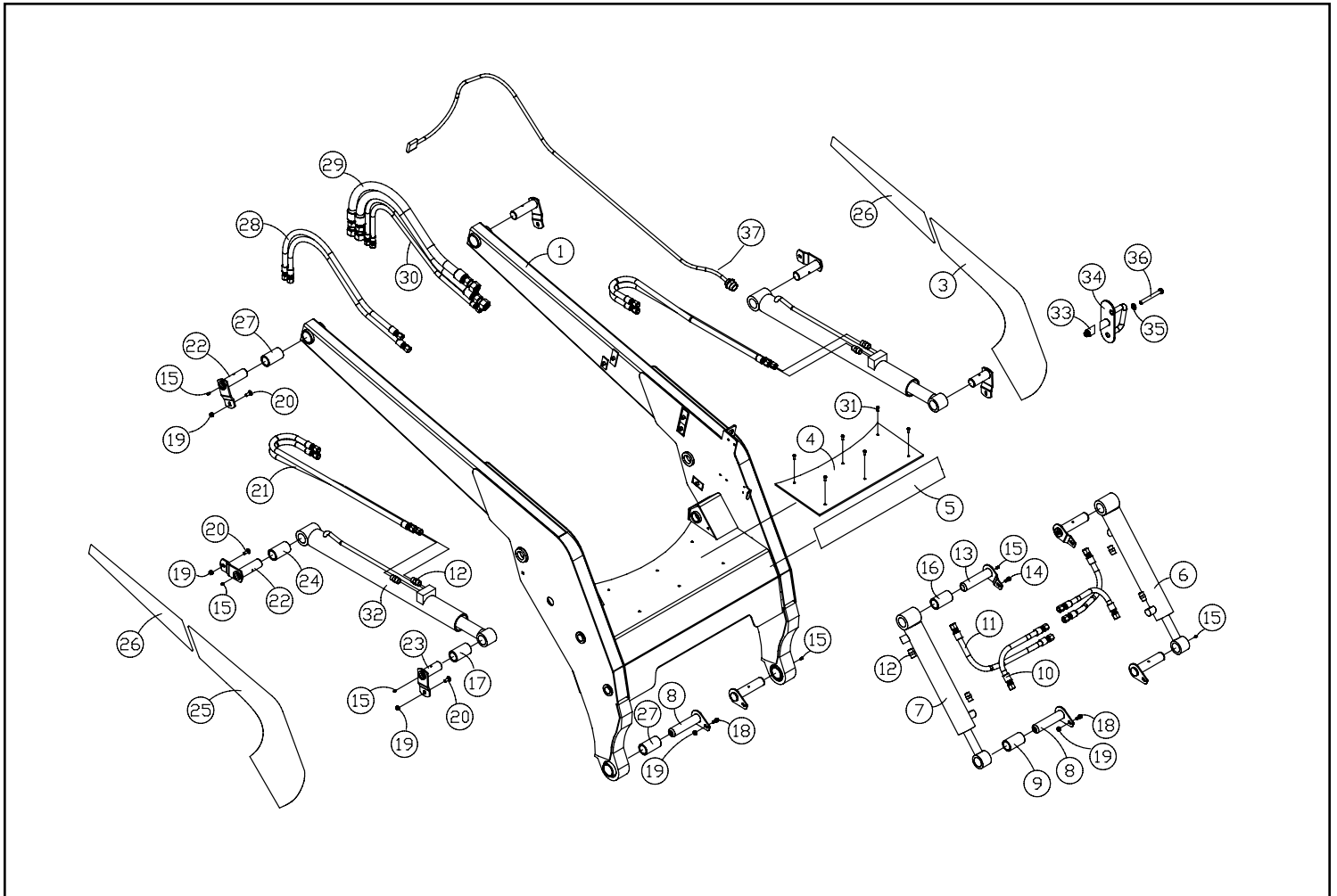
P/N: 0702-305

Includes items: 1,2,7,9,10,11,12



# LIFT ARM ASSEMBLY (Serial #: DTH 00682-Current)

REF. NO.	PART NUMBER	QTY.	DESCRIPTION	REF. NO.	PART NUMBER	QTY.	DESCRIPTION
1	4046-004-grn	1	WLMT LOADER GREEN				
2	2046-016	1	HARNESS AUXILIARY				
3	2046-230	1	DECAL LIFT ARM LEFT FRONT TEREX PT70				
4	2045-272	1	PAD STEP				
5	2030-492	1	DECAL CROSS MEMBER BLACK TEREX				
6	0201-968	1	CYLINDER CURL LH				
7	0201-969	1	CYLINDER CURL RH				
8	0201-852	4	WLMT,PIN,6.00"				
9	0003-053	2	BUSHING CYLINDER BUCKET ROD END				
10	0201-489	2	HOSE,8M4K-8FFORX-8FFORX-17.5"				
11	0201-488	2	HOSE,8M4K-8FFORX-8FFORX-23.5"				
12	0310-345	8	ADAPTER,8MFFOR--8MB				
13	0201-022	2	WLMT,PIN				
14	8102-220	4	CAPSCREW,HH,3/8-16x0.75",GD8				
15	0300-607	10	ZERK,GREASE,1/4-28				
16	0003-052	2	BUSHING CYLINDER BUCKET BASE END				
17	0003-056	2	BUSHING CYLINDER BOOM ROD END				
18	8102-224	4	CAPSCREW,HH,3/8-16UNCx1.25,GD8				
19	0314-269	10	NUT,FLANGE,TOPLK,3/8-16UNC,GDG				
20	8011-222	6	BOLT,CARRIAGE,3/8-16 UNCx1.0,Z				
21	2045-557	4	HOSE LOADER BOOM				
22	2045-258	4	WLMT PIN TOWER				
23	2045-260	2	WLMT PIN BOOM				
24	0003-054	2	BUSHING CYLINDER BOOM BASE END				
25	2046-229	1	DECAL LIFT ARM RIGHT FRONT TEREX PT70				
26	2046-180	2	DECAL 3" TEREX				
27	0201-233	4	BUSHING,1.50IDx2.00ODx3.00L				
28	2045-497	2	HOSE 8M4K 40.5"				
29	2045-494	2	HOSE 16G5K 42.5"				
30	2045-495	2	HOSE,6M4K,38.5"				
31	8102-127	6	CAPSCREW, HH,5/16-18 UNCx 1/2,				
32	2045-195	2	CYLINDER BOOM				
33	0402-906	1	WLMT WEDGE				
34	0402-902	1	WLMT HOOP HOSE				
35	8051-332	5	WASHER,SPRING LOCK,1/2,ZN				
36	8102-415	1	CAPSCREW,HH,1/2-13 UNCx4.5,GD8				
37	2046-016	1	HARNESS AUXILIARY				

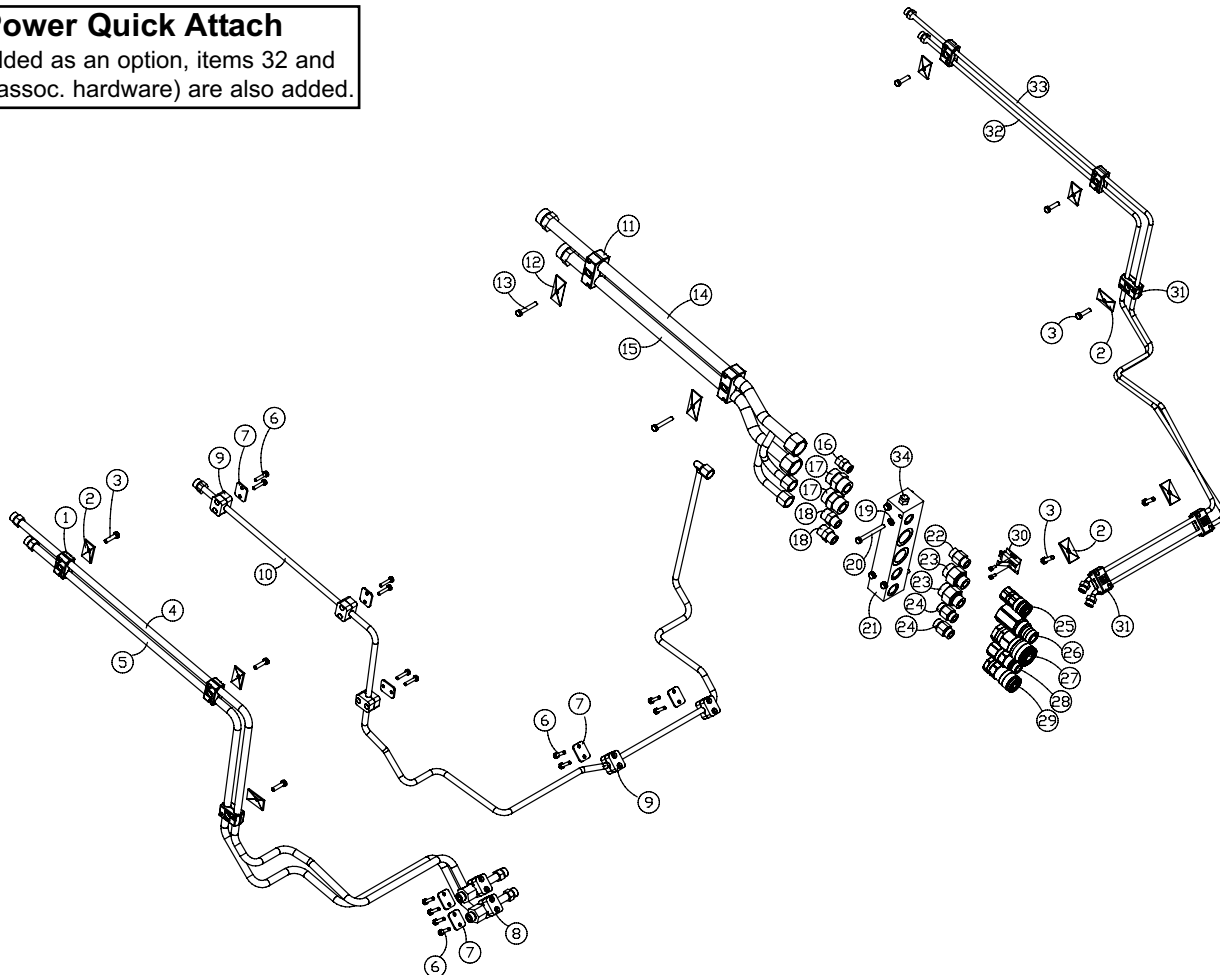


# LIFT ARM TUBES AND FITTINGS (Serial #: DTH 00682-Current)

REF. NO.	PART NUMBER	QTY.	DESCRIPTION	REF. NO.	PART NUMBER	QTY.	DESCRIPTION
1	0310-831	3	CLAMP, SET, T2062-PP				
2	0310-584	8	PLATE, COVER TCP-T2				
3	8102-135	8	CAPSCREW, HH, 5/16-18X1.50ZN, GD8				
4	2030-009	1	TUBE, BUCKET, UPPER				
5	2030-010	1	TUBE, BUCKET, LOWER				
6	8102-045	14	CAPSCREW, HH, 1/4-20x1.5"ZN GD8				
7	0201-224	7	COVER, CLAMP, COP-2				
8	0201-223	2	CLAMP, SET, 2062-PP				
9	0201-402	5	CLAMP, SET, 2050-PP				
10	2045-179	1	TUBE CASE DRAIN QD				
11	0201-226	2	CLAMP, SET, T4100-PP				
12	0201-227	2	CLAMP, COVER, TCP-T4				
13	8102-137	2	CAPSCREW, HH, 5/16-18UNCx2.0 GD8				
14	2045-210	1	TUBE AUX UPPER				
15	2045-211	1	TUBE AUX LOWER				
16	0310-345	1	ADAPTER, 8MFFOR--8MB				
17	0310-312	2	ADAPTER, 16MFFOR-16MB				
18	0310-318	2	ADAPTER, 10MFFOR-10MB				
19	8051-242	4	WASHER, SPRING LOCK, 5/16, ZN				
20	8102-141	4	CAPSCREW, HH, 5/16-18UNCx3.0, GD8				
21	0201-061	1	MANIFOLD, QD				
22	0201-602	1	ADAPTER, O-RING, HEX NIPPLE, 8-8				
23	0201-603	2	ADAPTER, O-RING, HEX NIPPLE, 16-1				
24	0201-601	2	ADAPTER, O-RING, HEX NIPPLE, 10-1				
25	0310-078	1	COUPLER, QUICK, FF, FEMALE, 3/4-16				
26	0314-143	1	COUPLER, QUICK, FF, MALE, 1-1/16-1				
27	0314-142	1	COUPLER, QUICK, FF, FEMALE, 1-1/16				
28	0310-077	1	COUPLER, QUICK, FF, MALE, 7/8-14UN				
29	0310-076	1	COUPLER, QUICK, FF, FEMALE, 7/8-14				
30	2045-451	1	SWITCH, COUPLER, COVER				
31	0201-225	5	CLAMP, SET, T2038-PP				
32	2045-181	1	TUBE QUICK ATTACH LOWER (optional MP-1)				
33	2045-180	1	TUBE QUICK ATTACH UPPERS (optional MP-1)				
34	0201-838	1	SPOOL, VALVE, QD BLOCK				

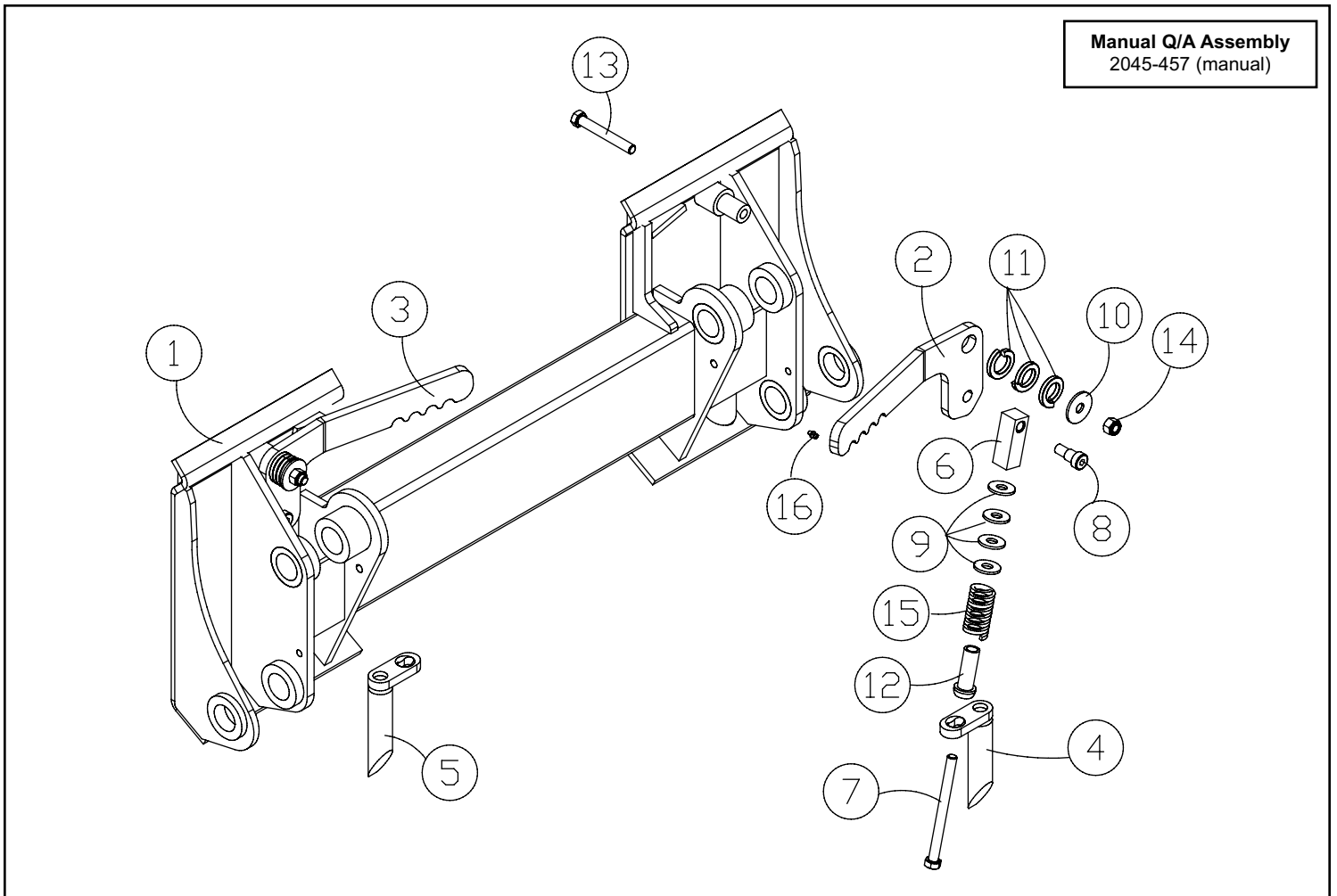
## Power Quick Attach

When added as an option, items 32 and 33 (and assoc. hardware) are also added.



# QUICK ATTACH ASSEMBLY (Serial #: DTH 00682-Current)

REF. NO.	PART NUMBER	QTY.	DESCRIPTION	REF. NO.	PART NUMBER	QTY.	DESCRIPTION
1	2045-359	1	WLMT,QUICK-ATTACH,MANUAL				
2	2045-761	1	HANDLE,QA,LH				
3	2045-762	1	HANDLE,QA,RH				
4	2045-242	1	WLMT PIN RH				
5	2045-243	1	WLMT PIN LH				
6	2045-245	2	BLOCK LATCH				
7	8102-418	2	CAPSCREW,HH,1/2-13UNCx 6.0,GD8				
8	0090-002	2	BOLT,SHOULDER,5/8"x.625" GD 8				
9	8050-347	8	WASHER,WROUGHT,1/2,STD,ZN				
10	2015-018	2	WASHER,FENDER,1.75x0.53x0.125				
11	8051-620	6	WASHER,SPRING LOCK,1.0,ZN				
12	0400-621	2	SPOOL,PIVOT				
13	0304-799	2	CAPSCREW,HH,1/2-13UNCx3.75,GD8				
14	8040-606	2	NUT,HEX,NYLOCK,1/2-13 UNC,ZN				
15	0400-651	2	SPRING,COMPRESSION				
16	0300-607	2	ZERK,GREASE,1/4-28				



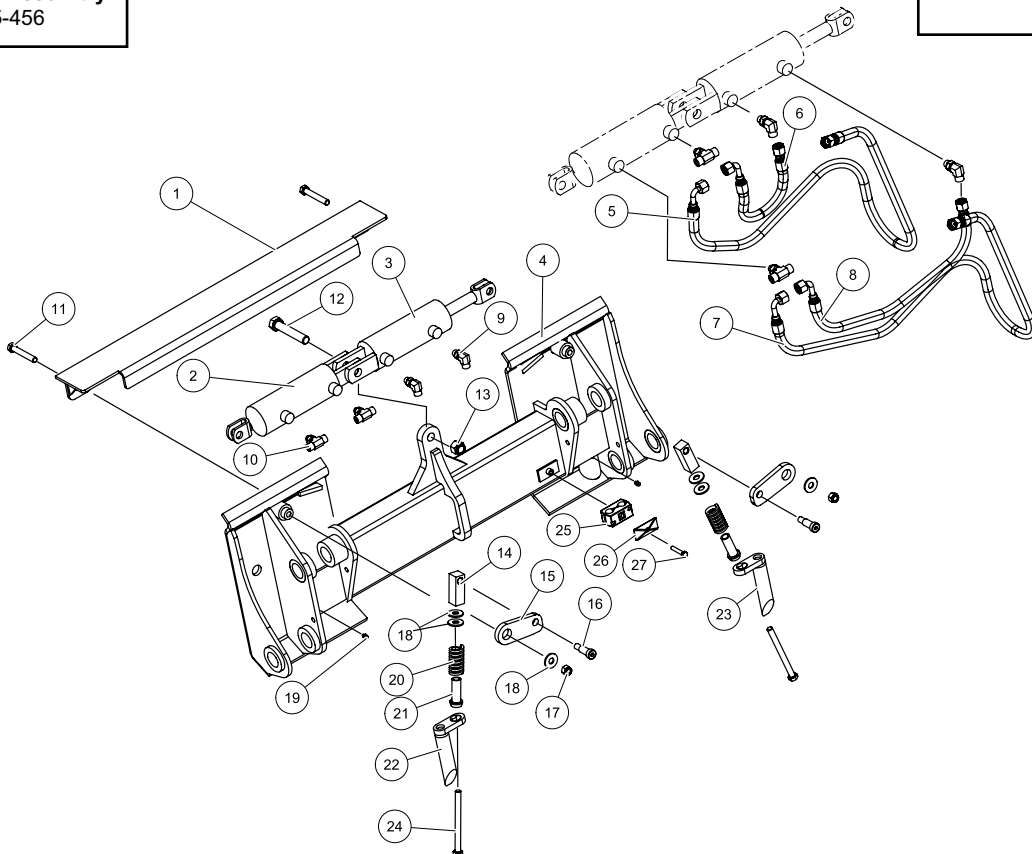
# HYDRAULIC QUICK ATTACH ASSEMBLY (Serial #: DTH 00682-Current)

Section 24

REF. NO.	PART NUMBER	QTY.	DESCRIPTION	REF. NO.	PART NUMBER	QTY.	DESCRIPTION
1	0201-637	1	WLMT, GUARD, QA				
2	0201-970	1	CYLINDER QA LH				
3	0201-971	1	CYLINDER QA RH				
4	2045-235	1	WLMT QUICK-ATTACH HYD				
5	0201-566	1	HOSE, 6M4K-6FFORX90S-6FFORX-49.				
6	0201-545	1	HOSE, 6M4K-6FFORX-6FFORX90S-14.				
7	0201-565	1	HOSE, 6M4K-6FFORX90S-6FFORX-53.				
8	0201-544	1	HOSE, 6M4K-6FFORX-6FFORX90S-25.				
9	0310-328	2	ADAPTER, 6MFFOR-6MB-90				
10	0201-542	2	ADAPTER, TEE, 6FS-6FS-6NWO				
11	8102-412	2	CAPSCREW, HH, 1/2-13UNCx3.25 GD8				
12	8102-686	1	CAPSCREW, HH, 3/4-10UNCx4.25 GD8				
13	8040-786	1	NUT, HEX, NYLOCK, 3/4-10 UNC, ZN				
14	2045-245	2	BLOCK LATCH				
15	2045-246	2	LATCH QA				
16	0090-001	2	BOLT, SHOULDER, 5/8"x1.25" GD 8				
17	8040-606	2	NUT, HEX, NYLOCK, 1/2-13 UNC, ZN				
18	8050-347	8	WASHER, WROUGHT, 1/2, STD, ZN				
19	0300-607	2	ZERK, GREASE, 1/4-28				
20	0400-651	2	SPRING, COMPRESSION PLATED				
21	0400-621	2	SPOOL, PIVOT				
22	2045-243	1	WLMT PIN LH				
23	2045-242	1	WLMT PIN RH				
24	8102-418	2	CAPSCREW, HH, 1/2-13UNCx 6.0, GD8				
25	0310-733	1	INSERT, CLAMP, TWIN. 75" T3075-PP				
26	0310-828	1	COVER, CLAMP, 3/4" TCP-T3				
27	8102-136	1	CAPSCREW, HH, 5/16-18x1.75 ZN GD				

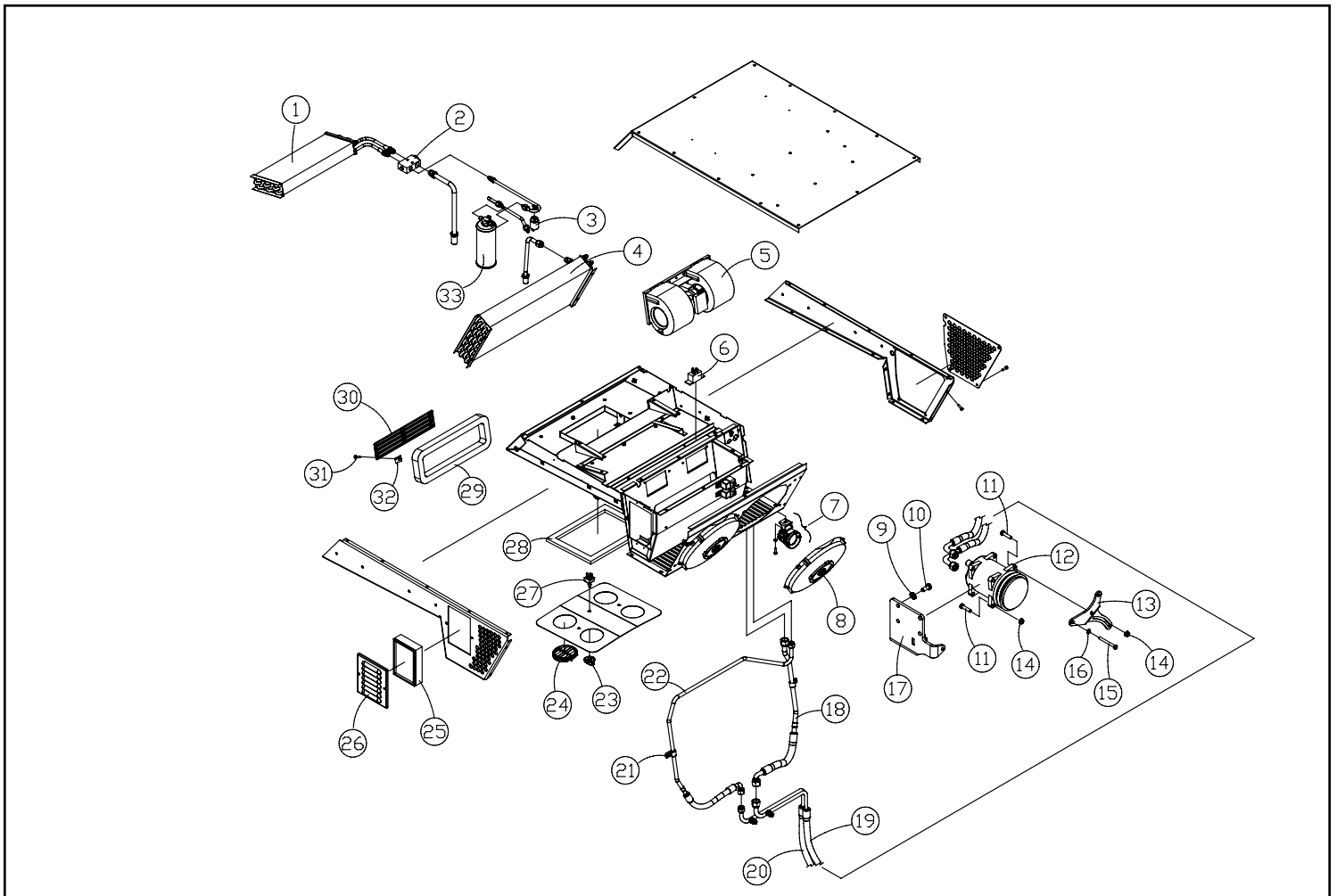
**Power Q/A Assembly**  
2045-456

**Q/A locking cylinder seal kit**  
P/N: 0003-063



# AIR CONDITIONING (OPTIONAL) (Serial #: DTH 00682-Current)

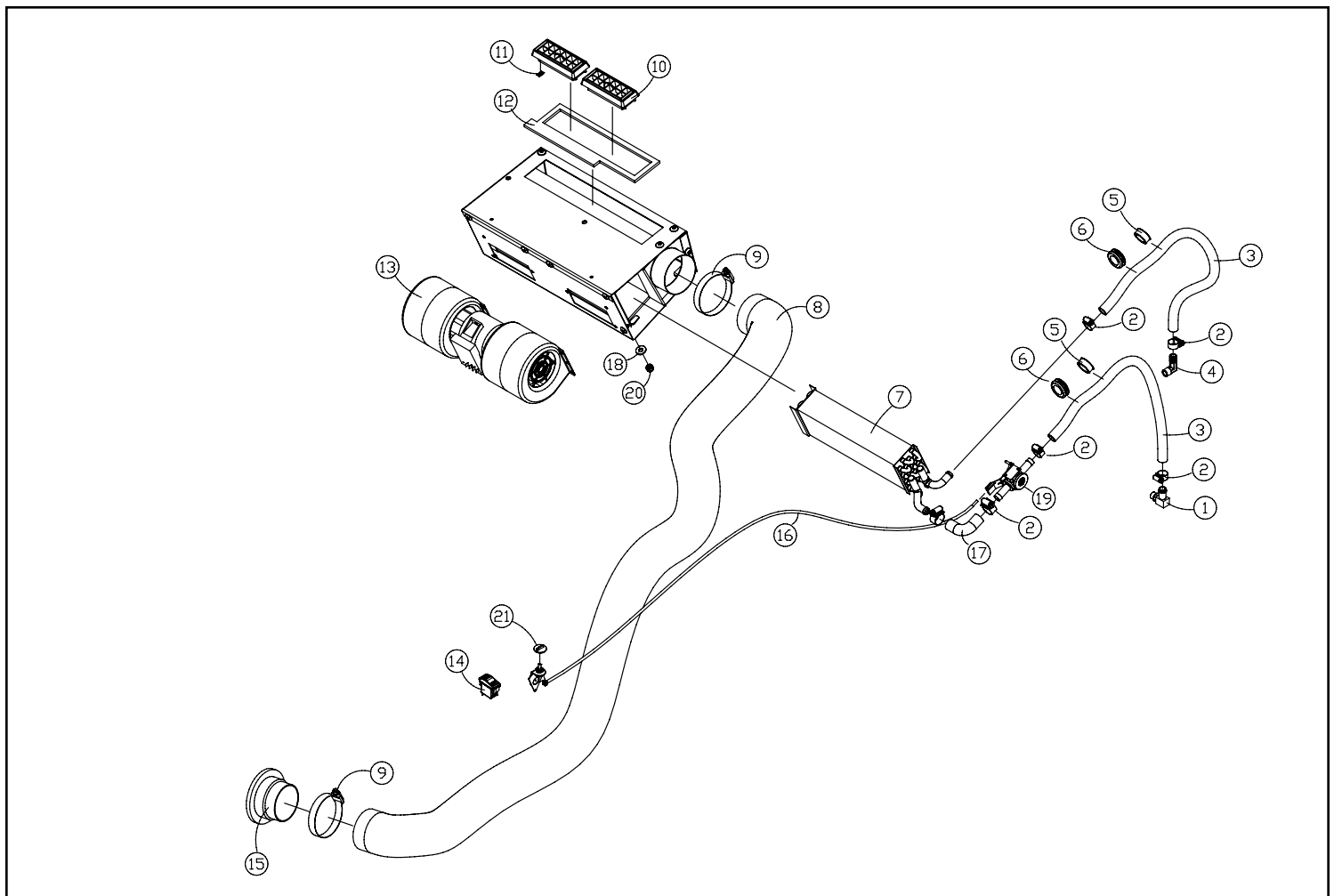
REF. NO.	PART NUMBER	QTY.	DESCRIPTION	REF. NO.	PART NUMBER	QTY.	DESCRIPTION
1	2045-887	1	EVAPORATOR				
2	2045-888	1	VALVE EXPANSION				
3	2045-889	1	SWITCH PRESSURE LOW				
4	2045-890	1	CONDENSOR				
5	2045-886	1	MOTOR BLOWER				
6	2045-897	1	SWITCH COLD				
7	2045-733	2	ASSY LIGHT SINGLE				
8	2045-911	2	ASSY MOTOR FAN				
9	8051-332	4	WASHER, SPRING LOCK, 1/2, ZN				
10	0310-523	4	CAPSCREW, HH M12 x 1.75 x 25mm				
11	8102-225	2	CAPSCREW, HH, 3/8-16 UNC x 1.5, GD8				
12	0782-038	1	COMPRESSOR, AC, RC				
13	2045-221	1	BRKT SLOT A/C				
14	2035-344	2	NUT, 3/8-16, UNC, WHIZLOCK, GD8				
15	0090-040	1	CAPSCREW HH M8 x 1.25 x 75MM GD8.8				
16	8051-242	1	WASHER, SPRING LOCK, 5/16, ZN				
17	2045-220	1	WLMT MNT MOTOR A/C				
18	2045-643	1	ASSY LINE A/C RH CAB				
19	2045-645	1	ASSY LINE A/C REAR				
20	2045-644	1	ASSY LINE A/C FRONT				
21	0310-465	2	CLAMP, WIRE, 5/8				
22	2045-642	1	ASSY LINE A/C LH CAB				
23	2045-896	1	KNOB CONTROL				
24	2045-895	4	LOUVER				
25	2045-894	1	FILTER FRESH AIR				
26	2045-893	1	COVER LOUVERED FRESH AIR				
27	2045-899	1	SWITCH 3 SPEED				
28	2045-900	1	GASKET OUTLET CAB				
29	2045-892	1	GASKET RECIRCULATION CAB				
30	2045-628	1	VENT RETURN AC				
31	0090-051	4	SCREW TH PH #8 x .75, SS				
32	0090-050	4	NUT SPEED #8				
33	2045-891	1	DRYER RECEIVER				



# CAB HEATER (OPTIONAL) (Serial #: DTH 00682-Current)

Section 26

REF. NO.	PART NUMBER	QTY.	DESCRIPTION	REF. NO.	PART NUMBER	QTY.	DESCRIPTION
1	2045-598	1	ADAPTER M16 x 1.5 BARB 90°				
2	0301-110	6	CLAMP,HOSE,#8				
3	0304-554	2	HOSE,HEATER,5/8,38"				
4	0304-670	1	ADAPTER,5/8BARB-3/8MPT-90°				
5	2045-509	2	BUSHING HOLE 1.375"				
6	2045-748	2	GROMMET 1 3/8" HOLE				
7	2045-904	1	CORE HEATER				
8	2045-906	1	HOSE,HEATER DUCT, 3"				
9	0308-185	2	CLAMP,HOSE,#48				
10	2045-901	2	LOUVER				
11	0090-047	8	NUT PUSH RETAINING				
12	2045-902	1	GASKET PLENUM				
13	2045-903	1	BLOWER				
14	0310-128	1	SWITCH,HEATER				
15	2045-907	1	LOUVER				
16	2046-019	1	CONTROL CONVERTER				
17	2045-909	1	ELBOW HEATER HOSE				
18	8050-222	4	WASHER,WROUGHT,1/4,STD,ZN				
19	2045-910	1	VALVE,CONTROL,COOLANT				
20	8040-366	4	NUT,HEX,NYLOCK,1/4-20 UNC.ZN				
21	2045-896	1	KNOB CONTROL				

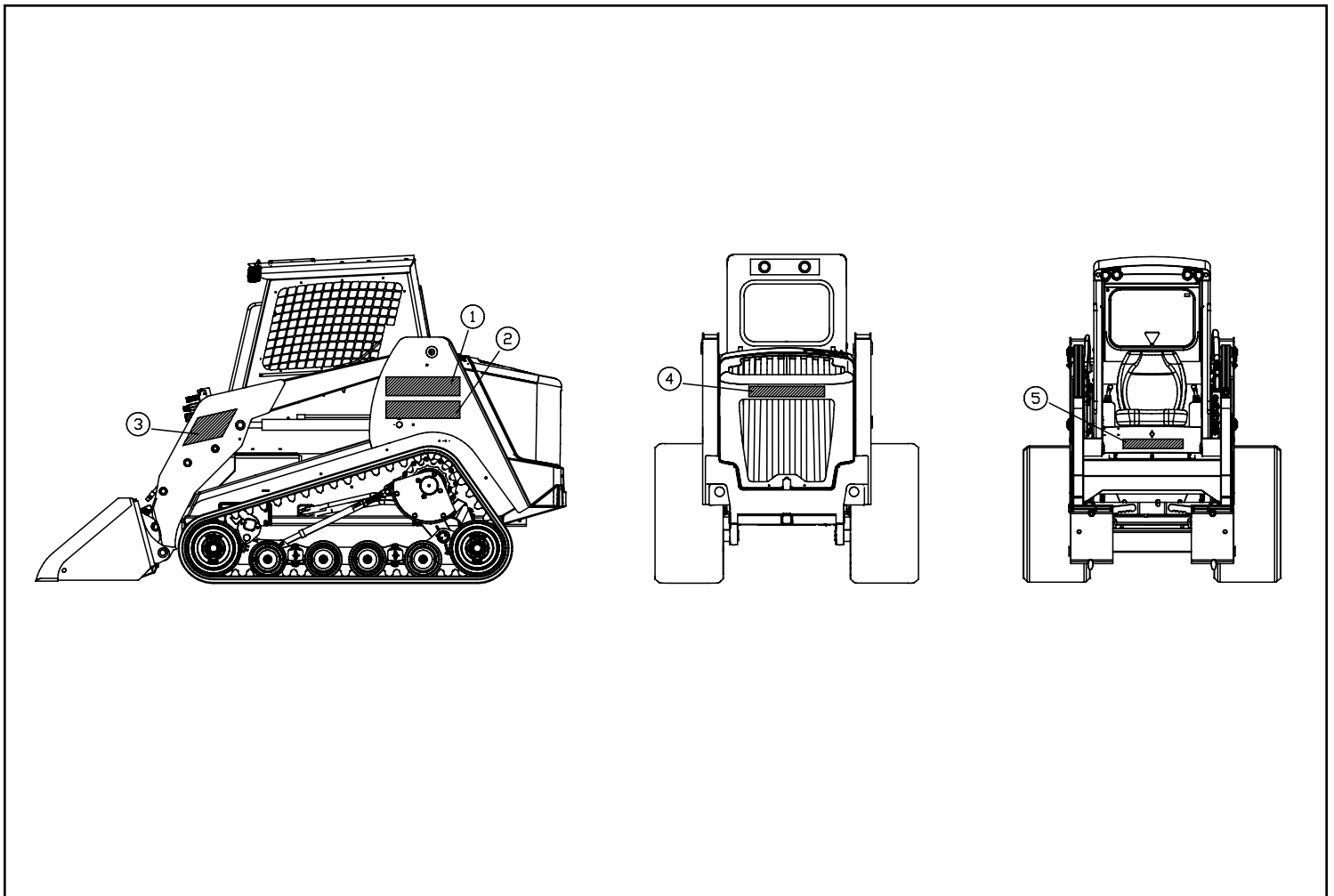




# Sunbelt Graphics

Section 27

REF. NO.	PART NUMBER	QTY.	DESCRIPTION	REF. NO.	PART NUMBER	QTY.	DESCRIPTION
1	2047-032	2	DECAL SUNBELT RENTAL SUNWHT H6G				
2	2047-034	2	DECAL SUNBELT RENTAL SUNWHT 18W 4H180				
3	2047-033	2	DECAL SUNBELT RENTAL SUNWHT V4G				
4	2047-030	1	DECAL SUNBELT RENTAL SUNWHT H2G				
5	2047-031	1	DECAL SUNBELT RENTAL SUNWHT H4G				



---

**Terex Construction Americas**

8800 Rostin Road

Southaven, MS 38671

**(888)-201-6008**

**(662)-393-1800**

**[www.terex.com](http://www.terex.com)**

---