

**H&P Technologies, Inc.**

*Power Tools & Torque  
Measuring Equipment*

*Material Handling Equipment*

*Lubrication & Fluid  
Dispense Equipment*

*Fluid Power Components  
& Systems*

*Maintenance &  
Shop Equipment*

*Production Automation,  
Tooling & Die  
Components*

*Repair Services*



# POWER TOOLS & TORQUE MEASURING EQUIPMENT



**AIMCO / ACRADYNE** - Air, DC electric and battery-powered assembly tools, including screwdrivers and nutrunners. Power tools for general assembly, including screw feeders, screw presenters and impact wrenches. Torque measurement and assembly systems, tool balancers, torque arms, work stations, sockets and screwdriver bits.



**AJAX** - Chisels for riveters, weld flux scalers, chipping hammers and pavement breakers. Rock drill steel and bits.



**APEX** - Impact sockets, screwdriver bits, extensions and adapters for assembly tools.



**ARO** - Air motors, sanders and grinders. Air and electric auto-feed drills. Compressed air line filters, regulators and lubricators.



**CHICAGO PNEUMATIC / DESOUTTER** - Air, DC electric and battery screwdrivers and nutrunners. Torque measurement and assembly systems. Impact wrenches, air drills, riveting hammers, sanders, grinders and motors. Air and electric auto-feed drills. Construction tools, including breakers, rock drills, chipping hammers, tampers, sump pumps, saws and compressors.



**CLECO** - Air, DC electric and battery screwdrivers, nutrunners and pulse tools. Torque measurement and assembly systems. Impact wrenches, air drills, riveting hammers, sanders, grinders and air motors.



**CRANE ELECTRONICS** - Torque measuring and monitoring equipment.



**DOTCO** - Premier pneumatic material removal tools, finishing tools and drills.



**DYNABRADE** - Pneumatic material removal and finishing tools. Dust collection systems. Drills, abrasives and inlet swivels for air tools.



**GESIPA** - Air, battery-powered and manually-operated blind rivet and rivet nut installation tools. Auto-feed riveting systems. Structural and non-structural rivets and rivet nuts.



Ingersoll Rand

**INGERSOLL RAND** - Air, DC electric and battery-powered assembly tools, including screwdrivers, nutrunners and pulse tools. Air impact wrenches, ratchets, riveting hammers, material removal tools, drills and motors. Air engine starters, construction tools, winches and air compressors.



**LUTZ PRECISION** - Automated electrode tip dressing and cap changing equipment for weld guns.



**MASTER POWER** - Pneumatic material removal, finishing, and cutting tools. Air drills, fastening and percussion tools.



Snap-on Power Tools, Inc.

**SIOUX** - Air impact wrenches, material removal tools, finishing tools, drills, riveting hammers and scalers.



Your Torque Partner

**TOHNICHI AMERICA** - Torque wrenches, screwdrivers and testers. Torque measuring and monitoring equipment.



**URYU** - Air, DC electric and battery pulse tools, screwdrivers and nutrunners. Pneumatic ratchet wrenches, tube nut wrenches, impact wrenches, drills, sanders, grinders and riveting tools.

## MATERIAL HANDLING EQUIPMENT



**ARO** - Air hoists and trolleys.



**HERKULES EQUIPMENT** - Material handling lifts. Pneumatic lift, tilt and rotate tables. Operator, cart and pallet positioners and platforms.



**INGERSOLL RAND** - Air, electric and mechanical hoists, including lever and hand chain hoists. Lifting and pulling equipment. Tractors and trolleys.



**ZIMMERMAN** - Ergonomic handling systems. Air balancers, intelligent electric balancers, manipulator systems and torque tubes. Overhead tool rail systems, jib cranes and arm systems. Design and build of custom ergonomic handling devices and lift assists.

## LUBRICATION & FLUID DISPENSE EQUIPMENT



**ALEMITE** - Grease and oil pumps and fluid handling equipment. Grease guns, control valves, meters, oil mist systems, fittings and accessories.



**ARO FLUID POWER** - Lubrication and material dispensing equipment. Piston and diaphragm pumps, control valves and meters. Compressed air line filters, regulators, lubricators.



**GRACO** - Automatic and manual lubrication and dispensing components and systems, including series progressive, single-line injector and orifice control systems. Lubrication and dispense piston pumps, system controllers, diaphragm pumps and displacement valves. Control valves and meters. Air, oil, grease and water hose reels and accessories.



**LINCOLN** - Automatic and manual lubrication systems, including single-line progressive systems for grease and oil. Precise non-mist oil lubrication systems for chains, conveyors, high-speed spindles and other applications. Lubrication and dispense piston pumps, system controllers, diaphragm pumps and displacement valves. Control valves and meters. Air, oil, grease and water hose reels, fittings and accessories.



**REELCRAFT** - Hose, cord and cable reels for industrial applications.



## FLUID POWER COMPONENTS & SYSTEMS



**ARO FLUID POWER** - Transfer and diaphragm pumps. Compressed air line filters, regulators, lubricators and air system components. Pneumatic cylinders, valves and logic.



**DE-STA-CO** - Electric and pneumatic grippers, hydraulic and pneumatic clamps, cylinders, pumps, boosters and controls. Servo-mechanical rotary drives, pneumatic rotary actuators, and cam-driven index drives. Vacuum end effectors, cups and generators. Robotic tooling, manipulation and transfer equipment.



**ENERPAC** - Hydraulic clamping and workholding components and systems. Linear cylinders, swing cylinders and work supports. Pumps, valves, gauges, hoses and system components.



**HYDRANAMICS** - Heavy-duty hydraulic and pneumatic cylinders. Standard, mill-duty and special cylinders.



**HYDRONIC** - Air-driven hydraulic pumps and hydraulic power units. Intensifiers, boosters, high pressure systems and accessories.



**HYTEC** - Hydraulic clamping and workholding components and systems. Cylinders, clamps, work supports, pumps, valves, palletized systems and accessories.



**LYNAIR** - NFPA/JIC, mill-duty and custom-designed hydraulic and pneumatic cylinders. Air-to-air and air/hydraulic boosters.



**MP FILTRI** - High, medium and low pressure hydraulic filters. Interchange elements. Suction strainers and reservoir accessories. Filter carts, fluid contamination monitoring and measuring equipment.



**OLAER** - Bladder, piston and diaphragm accumulators and accessories. Screw pumps. Air-to-oil and water-to-oil heat exchangers.



**PERMCO** - Hydraulic gear pumps, vane pumps, motors, flow dividers, intensifiers and accessory valves.



**SAFEWAY** - Hydraulic couplers and quick disconnects for industrial, agricultural and mobile applications.



**TAIYO** - NFPA/JIC hydraulic and pneumatic cylinders. Custom and mill-duty hydraulic and pneumatic cylinders.



# MAINTENANCE & SHOP EQUIPMENT



**BLACKHAWK / PORTO POWER** - "Porto-Power" automotive collision repair equipment. Body shop repair kits, frame straightening equipment, hydraulic pumps and cylinders.



**ENERPAC** - Hydraulically-driven tools and equipment. Cylinders and lifting products. High pressure electric, air/hydraulic and manual pumps and hydraulic valves. Maintenance sets, pullers, shop presses and specialty tools for maintenance applications. Hydraulic torque wrenches, torque multipliers and bolt tensioners. Gauges, hoses, couplers and accessories.



**GREENLEE / TEXTRON** - Professional grade electrician tools and equipment. Tools for hole-making, bending, cutting, crimping, testing and measurement.



**HEIN WERNER** - Professional service jacks, engine cranes, shop presses and lifting equipment.



**OMEGA** - Body shop & automotive service and lifting equipment. Jacks, jack stands, engine cranes and stands, shop presses, and body repair kits.



**OTC / Robinair** - Heavy-duty automotive tools and shop equipment. Tools and equipment for air conditioning systems.



**POWER TEAM** - High force industrial tools and equipment. Hydraulic cylinders, pumps, valves and accessories. Maintenance tools, pullers, shop presses, punches, cutters and crimping tools. Hydraulic torque wrenches, tensioners, nut splitters and ancillary equipment.



**TEMPLETON KENLY (SIMPLEX)** - Mechanical, pneumatic and hydraulic lifting and maintenance tools and equipment. Hydraulic cylinders, pumps, valves and accessories. Shop presses, jacks, torque wrenches and maintenance sets.



**U.S. JACK** - American-made standard and specialty hydraulic jacks, crane units and maintenance sets. Mechanical jack stands.



**WEAVER** - American-made hydraulic floor jacks and vehicle support stands.



**WHEELER REX** - Chain-type snap cutters for cast iron and clay tile pipes. Pipe cutting and threading tools and equipment.



## PRODUCTION AUTOMATION, TOOLING & DIE COMPONENTS



**ALL AMERICAN** - Standard and special drill bushings. Jig, fixture and tooling components.



**AMERICAN DRILL BUSHING** - Standard and customized hoist rings and drill bushings.



**BONEHAM METAL PRODUCTS** - Nitride nitralloy bushings.



**CARR LANE** - Tooling, jig and fixture components. Alignment pins, handles, knobs, hoist rings, spring loaded devices, supports, locators, clamps, jig and fixture bases, modular fixturing and hydraulic workholding.



**DE-STA-CO** - Mechanical, air and hydraulic clamps for automotive and industrial manufacturing applications. Grippers, indexers, slides, robotic tooling and remote handling products for workplace and automation needs. Cylinders and hydraulic workholding.



**ENERPAC** - Hydraulic clamping and workholding components and systems. Linear cylinders, swing cylinders and work supports. Pumps, valves, gauges, hoses and system components.



**FAIRLANE** - Bumpers, rollers, grippers, workholding and positioning components.



**HELI-COIL** - Precision-formed threaded inserts for the automotive, aerospace, defense and electronics industries. Taps and tools for installation and thread repair kits.



**HYTEC** - Hydraulic clamping and workholding components and systems.



**JERGENS** - Tooling components, rollers, bumpers and vacuum cups.



**LUBO** - Self-lubricating, spherical and bronze bearings and bushings. Die and mold components.

### NAAMS Standards

**NAAMS STANDARDS** - L-blocks, shims, spacers, locating pins, riser angle brackets, locaters and stop blocks.



**OIL LUBE** - Powdered metal and cast bronze bearings.



**STAFFORD** - Shaft collars and rigid shaft couplings.



**STILSON** - Machine tool components used for clamping, locating and positioning. Grippers, rollers, bumpers and vacuum cups.



**TE-CO** - Tooling components, spring and ball plungers, vise systems, modular fixturing columns and plates.

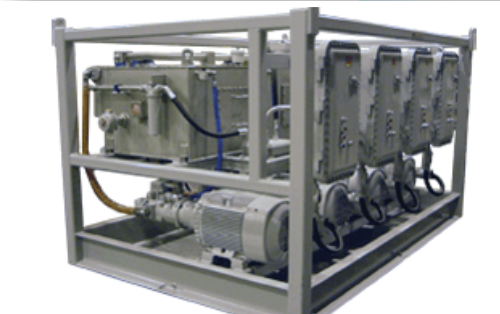
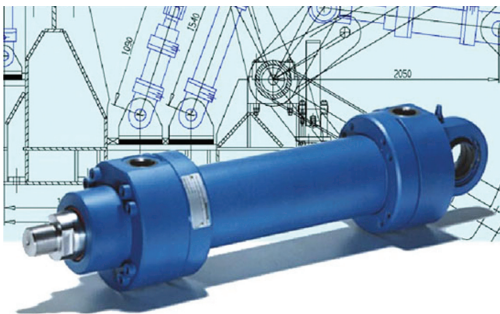


**YILLIK** - Custom and standard carbide bushings, bearings, guides and drill bushings.



**ZAYTRAN** - Grippers, actuators and pin packages.

# REPAIR SERVICES



H & P Technologies, Inc. services all types and brands of hydraulic, pneumatic, DC electric, lubrication, fluid dispensing and material handling systems, equipment, tools and components. We are an authorized service and warranty center for most of the manufacturers that we represent, with the experience and expertise to service all other brands as well. Our factory-trained technicians, stringent quality procedures and state-of-the-art testing equipment ensure that equipment is expertly restored to its original operating performance, all in a timely and cost-effective manner.

## EQUIPMENT SERVICED

- Pneumatic & Electric Power Tools, Including DC Electric Assembly Tools & Controllers
- Torque Measuring & Monitoring Equipment
- Material Handling Equipment, Including Air & Electric Hoists, Balancers, Winches & Lift Tables
- Hydraulic & Pneumatic Cylinders
- Hydraulic Pumps, Valves, Motors, Accumulators & Heat Exchangers
- Hydraulic Presses
- Hydraulic Systems and Power Units
- Lubrication & Fluid Dispensing Systems & Components
- Hydraulic, Pneumatic & Mechanical Lifting Equipment, Including Jacks & Porto Powers
- Hydraulic & Pneumatic Maintenance & Construction Tools
- Cutters, Crimpers & Bending Equipment
- Air Condition Recovery, Recycling & Recharging Machines

## OUR TEAM

Over 20 factory-trained and certified technicians and service personnel, including:

- Certified Fluid Power Specialists & System Troubleshooters
- Certified Pneumatic & DC Electric Power Tool Repair & Calibration Technicians
- Certified Hoist & Material Handling Repair Technicians
- Machinists & Welders
- Fluid Power System Design & Build Professionals
- Electric Controls Professionals
- Fluid Power & Electro-Mechanical Engineers

## CAPABILITIES & SERVICES

- Complete In-House Machining, Welding & Fabricating Capabilities
- Large Inventory of Replacement Parts & Raw Materials
- State-of-the-Art Testing Equipment
- Field Service & Complete System Troubleshooting Services
- Preventative Maintenance & Calibration Services & Programs
- 24/7 Availability & Emergency Service
- Design & Build of Specialty Hydraulic Tools, Equipment & Systems

Founded in 1945, H & P Technologies, Inc. is a full-service distributor and service center of leading brands of hydraulic, pneumatic, lubrication, material handling and DC electric assembly tools, components and engineered systems. We also offer a comprehensive line of tooling and fixture components and production-automation equipment.

H & P Technologies, Inc. is much more than the typical industrial distributor. We offer unrivaled technical and product application expertise, in-house engineering support, custom manufacturing capabilities and expert repair service as one of the largest and most-diversified repair companies in the Midwest. The depth and breadth of our expertise enables us to recommend the ideal solution for any given application and ensure that our customers are operating at peak performance - reliably, efficiently and economically.

Our large inventory of new tools, equipment, replacement parts and accessories, our ability to deliver a broad-range of products and services in a timely manner and at competitive prices, and our unyielding commitment to customer satisfaction make H & P Technologies, Inc. the ideal solution to your fluid power, power tool, material handling and tooling and fixture component and production-automation equipment needs.



**H&P Technologies, Inc.**

23751 Amber Ave.  
Warren, MI 48089

Phone: 586.758.0100

Fax: 586.758.0589

[www.h-ptech.com](http://www.h-ptech.com)

email: [info@h-ptech.com](mailto:info@h-ptech.com)