



Owner's Manual

MD3196 and MD3091 Compact Tactical Life Preservers



*Shown with the MA3090 Chest Belt/Crotch Strap Assembly

CONTENTS

Page	1	Description
	2	Instructions for Use
	3	Check Your LP Before Using It
	4	Sizing and Fit
	4	Donning Instructions
	4	Inflating Your LP
	5	Special Considerations for Automatic Devices
	6	Deflating the LP
	7	Usage Below Freezing
	7	Re-arming Your MD3196
	10	Re-arming Your MD3091
	12	Repacking Your MD3196
	15	Integration Instructions with Body Armor
	18	Attachment Instructions for MA3090 Chest Belt/ Crotch Strap Assembly
	22	Auto/Manual Conversion Cap (MA7219) Instructions
	24	Is Your LP in Good and Servicable Condition?
	25	Care and Maintenance Instructions
	26	MD3196 Accessories
	26	Cleaning and Storing of Your MD3196 LP
	26	How and Why to Test Your LP
	27	How Do You Test Your LP Using the Manual Inflator?
	28	How Do You Test Your LP Using the Automatic Inflator?
	28	How Do You Test Your LP Using the Oral Inflator?

DO NOT REMOVE PRIOR TO SALE.

DESCRIPTION

The Mustang Survival MD3196 and MD3091 are compact life preservers (LP) that have been designed specifically for easy integration with body armor and tactical vests including those that use a MOLLE (Modular Lightweight Load-carrying Equipment) webbing system. The compact designs provides body armor wearers with flotation capability with minimal bulk or interference.

In-water performance tests with the life preserver attached to a typical body armor vest successfully demonstrated the ability of the LP to self-right and float the wearer. Due to variances in local configuration, we recommend that users perform their own in-water test with full gear to validate performance. The Mustang Survival MD3196 and MD3091 can be attached to a body armor vest or worn as stand-alone life preservers using the chest belt/crotch strap assembly.

The MD3196 will inflate automatically upon immersion. The beaded handle may also be pulled to activate the inflation mechanism. The MD3196 uses a hydrostatic inflator that significantly reduces the potential for inadvertant inflation due to humidity, sea spray or wet storage. The inflator must be submerged to automatically activate this device.

The MD3091 uses a manual inflator, which requires activation on water contact.

When worn, used, and serviced according to this owner's manual, these life preservers can greatly increase your chances of survival in the water.

INSTRUCTIONS FOR USE

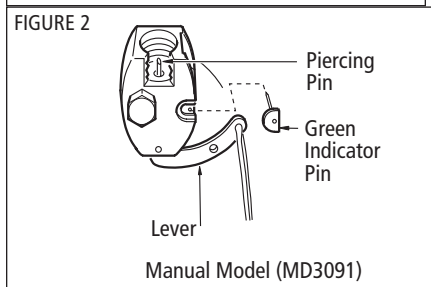
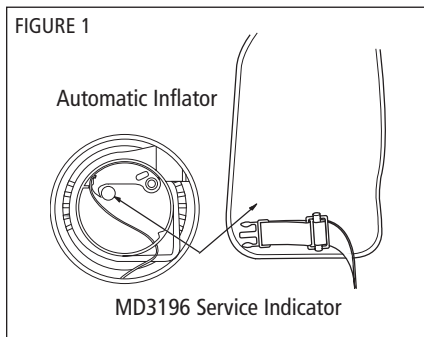
This manual supplies instructional, maintenance and safety information for both the MD3196 and MD3091 Compact Tactical Life Preservers (LP), unless specified otherwise.

Familiarization

- 1) Examine the service indicator through the viewing slot behind the right cell lobe (Fig. 1). Ensure the service indicator is green. If the service indicator is red, the mechanism has been fired (see the Re-arming section for your LP).

NOTE: The service indicator must be green before proceeding.

- 2) Undo the zippers (Figs. 1 and 2), exposing the inflator cap and oral inflator.



- 3) Ensure the oral-inflation dust cap is stowed (Fig. 5).
- 4) Ensure the service indicator is green and the beaded handle is fastened to the outside; secure the zippers on the Inflatable LP (see

Repacking, p.12).

- 5) **MD3196 only** - Ensure the current date is not past the date on the inflator. If it is, replace the inflator (see Re-arming Your MD3196 p. 7).

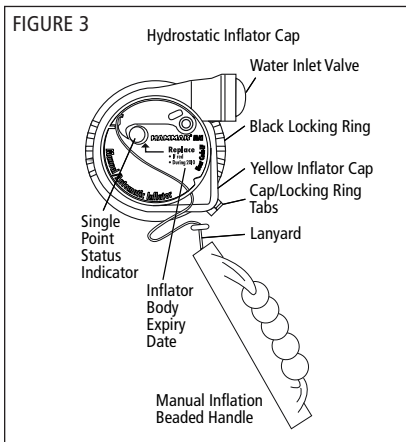
Check Your Device Before Using It

Readiness Checklist

Check your MD3196 and ensure all of the checkpoints listed below are true before use.

- For the MD3196 only** - Service indicator is green (Fig. 1).
- For the MD3091 only** - Green indicator and cylinder are intact and manual lever is in up and ready position (Fig. 2).
- No rips, tears or holes; all seams are securely sewn; and the fabric, straps and hardware are still free from defects.
- All zippers, Velcro™ and chest buckle are securely fastened.
- Ensure the inflation beaded handle is fastened to the outside (Fig. 32).
- For the MD3196 only** - Ensure the current date is not past the expiry date (Fig.3) on the inflator. If it is, replace the inflator (see Re-arming the MD3196, p. 7).

Your device is ready for use if all applicable boxes are checked.



NOTE: Contact your Mustang Dealer if you have any concerns about the readiness of your MD3196 or MD3091.

Sizing and Fit

The LP provides 33.7 lbs of buoyancy and is designed for wearers with a chest range of 30-52 inches weighing over 80 pounds.

Donning Instructions

It is important that the LP is properly adjusted to fit the person wearing it. An incorrect fit or improper fastening of attachments could impede its effectiveness.

- 1) Inflatable PFDs should never be worn under other clothing, or anything that restricts inflation. The result could be damage to the Inflatable PFD or injury to the wearer.
- 2) Belts and straps need to be adjusted for fit. When the LP is integrated with MOLLE body armor vest, ensure the connections are securely fastened (P. 16). When the device is used with the MA3090 chest belt/crotch strap assembly, the waist belt should fit securely (P. 18).

Inflating Your LP

It is recommended that the following procedures are used to inflate your MD3196 and MD3091:

- 1) Manual inflation

Actuate the inflation system by jerking firmly downward on the beaded handle. The LP should fully inflate within 5 seconds.

- 2) **Automatic Backup Inflation (MD3196 only)**

When the inflator is lowered more than about 4 inches in the water, then the hydrostatic valve opens and lets the water meet the water sensitive element that in turn releases a stainless steel coil spring. The spring then drives a needle into the end of the gas cylinder, which is now punctured so that the gas instantly fills the life jacket. Total buoyancy is reached within seconds.

Information

When inflated, the carbon dioxide (CO₂ gas) used to inflate the LP

will slowly escape through the fabric over time. A slight reduction of pressure will be observed several hours after inflation. Topping up by oral inflation may be required in the event of prolonged immersion.

WARNING: CO₂ inflation could over-pressurize and damage your Inflatable LP if already orally inflated.

IMPORTANT: See Special Considerations for Automatic Devices

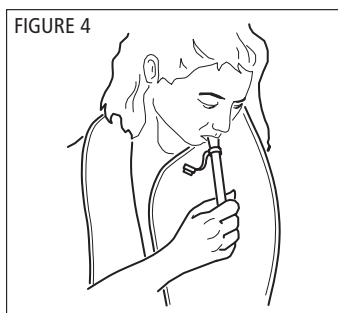
3) Oral inflation

A properly armed and inspected LP will inflate. However, or if oral inflation is desired, or in a non-emergency situation, you can fully inflate the LP by mouth.

i. To orally inflate the LP, first ensure that each of the zippers (2) are completely opened, beginning at the tab (Fig. 29).

WARNING: CO₂ inflation could over-pressurize and damage your Inflatable LP if already orally inflated.

ii. Locate the oral inflation tube by opening the wearer's left front panel. Remove the dust cap from the end of the oral tube and blow into the tube until the Inflatable LP is fully inflated (Fig. 4).



Special Considerations for Automatic Devices

Automatic inflation (MD3196 only) causes several risks that you must aware of:

- 1) Double inflation (CO₂ cylinder inflation after full oral inflation) could damage the LP,
- 2) Inflation when stored in a tight space could damage the LP, and

- 3) The LP could inflate when you are in an awkward place or position. If this LP should inflate prematurely, a re-arm kit (MA7214-10) is required to re-arm the MD3196.

IMPORTANT: The MD3196 should be re-armed according to the instructions (Re-arming Your MD3196, p. 7).

Deflating the Inflated LP

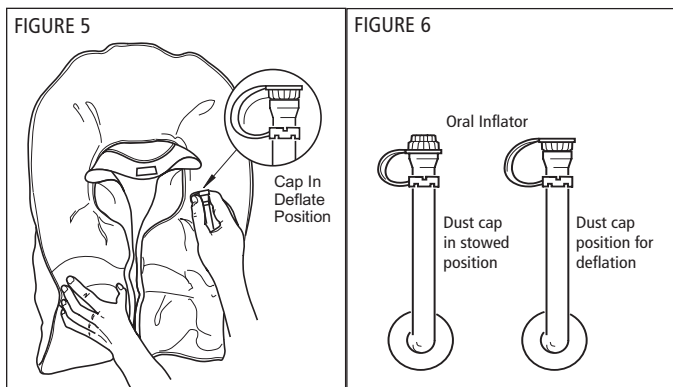
- 1) To deflate the inflated LP, reverse the oral-inflation tube dust cap and insert it into the valve or depress valve with fingertip. The dust cap will not lock in the deflate position so it is necessary to hold it in place (Fig. 5).
- 2) Gently squeeze the LP until all air or gas has been expelled. To avoid damage; do not wring or twist the LP. Put the inflation tube dust cap back in its stowed position on the oral inflation tube (Fig. 6).

IMPORTANT: Ensure all air has been removed from the LP.

- 3) Examine the service indicator (Fig. 1). If the service indicator is red, the mechanism has been fired and the inflator requires service (see the Re-arming section for your LP).

IMPORTANT: The service indicator must be green before proceeding.

- 4) Your device is ready to be repacked (see Repacking p. 12).



Usage Below Freezing

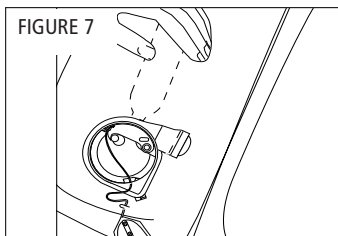
When the temperature is below freezing, a fully discharged cylinder may not adequately inflate your MD3196. Under these conditions use the oral inflator to adequately top-up the LP.

WARNING: CO₂ inflation could over-pressurize and damage your Inflatable LP if already orally inflated.

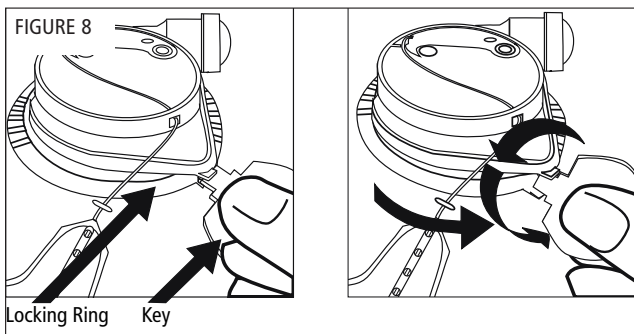
Re-arming Your MD3196

NOTE: A valid re-arm kit (MA7214-10) is required for this procedure.

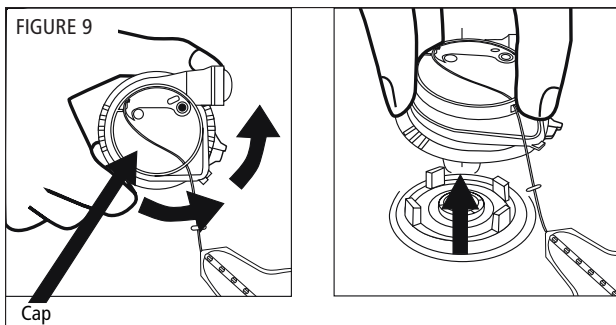
- 1) If required, completely unzip the LP.
- 2) Place the LP on a smooth, flat surface with the inflator facing you and wipe off any water. Access the inflator by reaching under the cover and pull it toward you. Hold the CO₂ cylinder through the fabric, using one hand (Fig. 7).



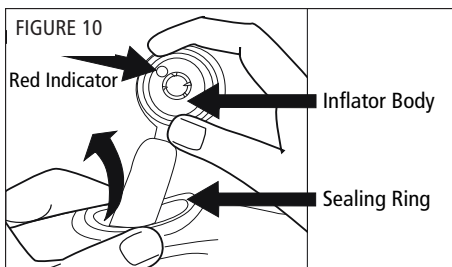
- 3) Insert the metal key between the black locking ring and inflator cap. Turn the key counter-clockwise (Fig. 8).



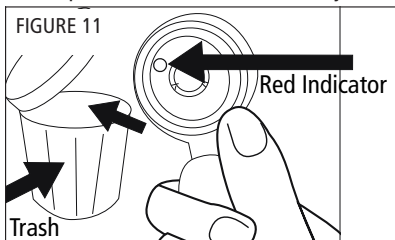
- 4) Turn the black locking ring counter-clockwise and lift off the inflator cap (yellow inflator operating head Fig. 9). Dispose of the used cap.



- 5) Squeeze the sealing ring to elongate and remove the inflator body through the sealing ring (Fig. 10).

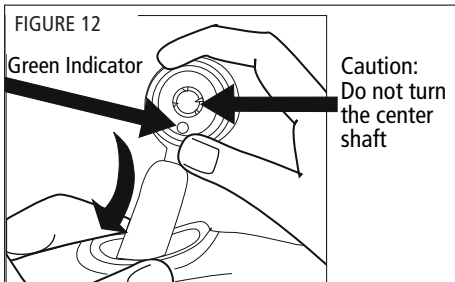


- 6) Dispose of the used inflator body.



- 7) Inspect the sealing ring (Fig. 10) to ensure it has no cracks, debris or other damage. Remove any damaged LP from active service for assessment.

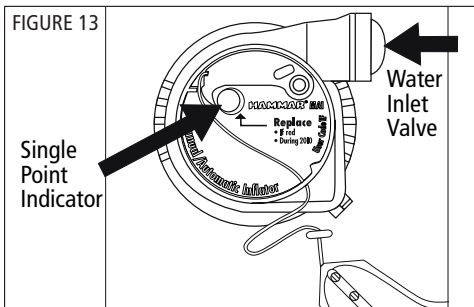
- 8) Check that the new inflator body indicator is green. Insert the new inflator body with CO₂ cylinder pointing upward inside the Inflatable LP (Fig.12). Let the sealing ring rest on the adapter around the four lugs.



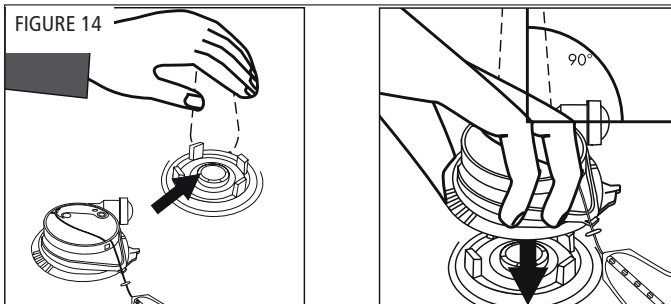
- 9) Now check the new inflator cap as follows (Fig. 13):

1. Is the service indicator showing green?
2. Is the expiry day OK?

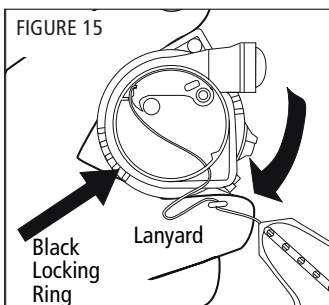
If YES is the answer to both questions, then proceed as follows. If the answer is NO to either question, get a new inflator cap.



- 10) Hold the CO₂ cylinder through the fabric of the Inflatable LP. Position the replacement inflator cap with the water inlet valve pointing to the right and press firmly onto the inflator body and sealing ring (Fig. 14).



- 12) While pressing **FIRMLY** onto the inflator body, turn the **BLACK** locking ring clockwise into the locked position (Fig. 15). Pull on the inflator cap to make sure it has locked onto the inflator body.



- 13) Check: To see that the service indicator on the cap is green; the pull to inflate lanyard is present and that the locking ring is locked.
- 14) Perform a leak test (p. 25).
- 15) Refold the LP in accordance with the Repacking section (p. 12).

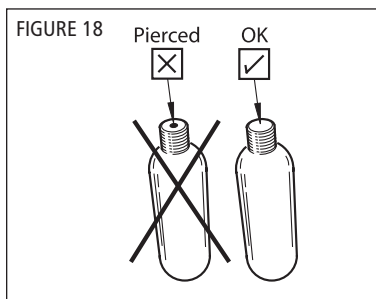
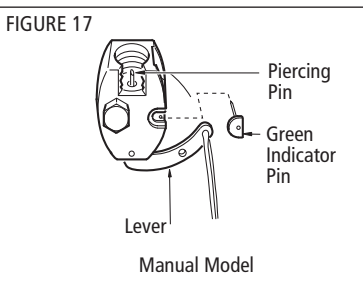
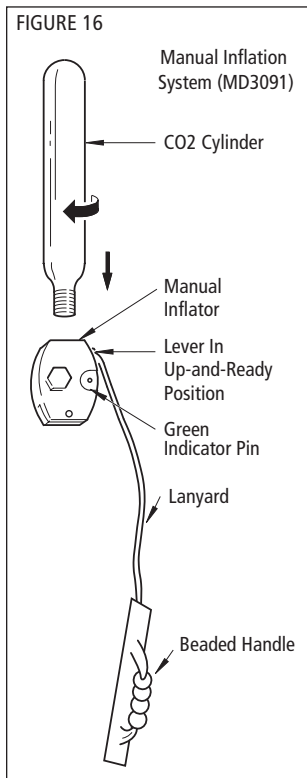
Re-arming Your MD3091

NOTE: A re-arm kit (MA7170) is required for this procedure.

IMPORTANT: Follow instructions in the exact sequence below.

- 1) Unscrew and inspect the CO₂ cylinder. If used or damaged, discard the CO₂ cylinder (Fig. 18).
- 2) Check the manual lever to ensure it is in the up and ready position with the green indicator pin properly installed. If the green indicator pin is missing or damaged, replace it (Fig. 16).

- 3) Install an unused CO₂ cylinder by screwing it into the top of the inflator and hand-tighten. Do not over-tighten, as this can damage the internal gasket.



4) Refold the LP in accordance with the Repacking instructions (P. 12).
Your MD3091 is now ready for use.

Repacking Your LP

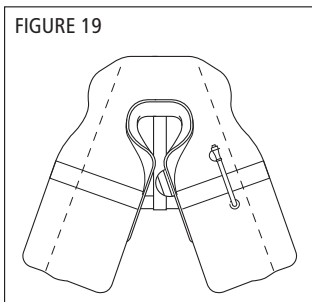
Before repacking, completely deflate the inflation cell. Force excess air out through the inflation tube (Fig. 4). Do not wring cell. Put the inflation tube cap back in the stowed position (Fig. 5).

NOTE: Before following the repacking sequence, be sure to properly re-arm your LP.

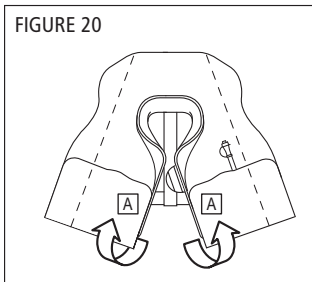
If your LP has been used and/or the inflator replaced, always inflate through the oral tube and check that it stays inflated at least overnight. With the dust cap in the top of the oral tube, gently squeeze the LP until all air or gas has been expelled (Fig. 5). Do not wring or twist the LP. Put the oral tube dust cap back in its stowed position on the oral tube (Fig. 6). Let the LP dry before packing.

IMPORTANT: Ensure all air is removed before repacking. Before following the repacking sequence, be sure to properly re-arm your LP.

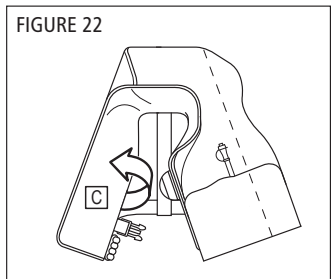
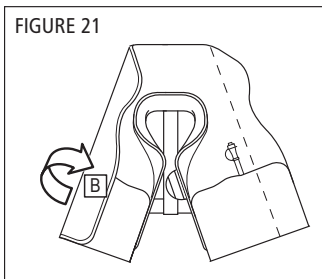
1) Lay out the MD3196 flat on a clean surface (Fig. 19).



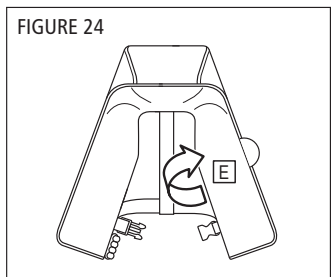
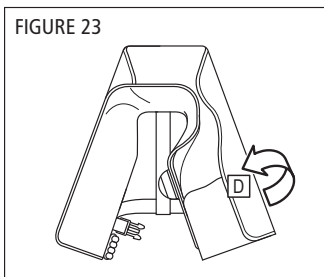
2) Fold the bottom portion (A) of each lobe up.



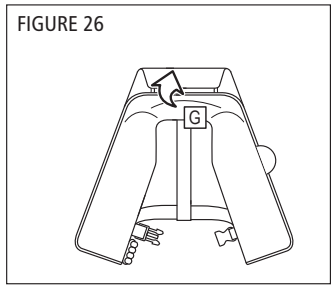
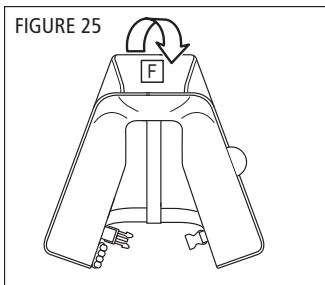
3) Fold side (B) over along the full length of the dotted line (Fig. 21).
Fold cover (C) over; covering side (B) (Fig. 22).



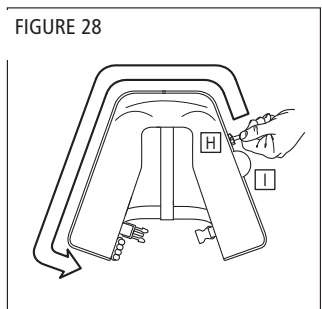
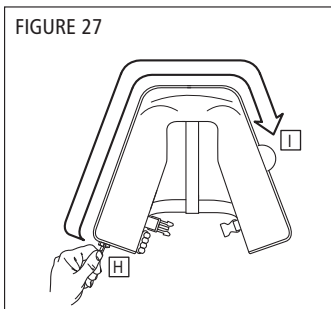
4) Repeat steps 2 and 3 with side (D), cover (E).



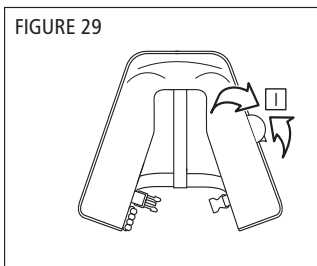
5) Fold over the top side (F) and cover (G).



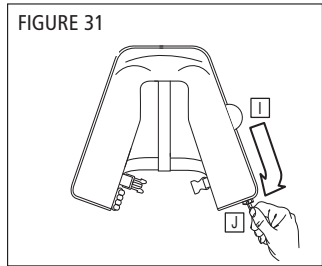
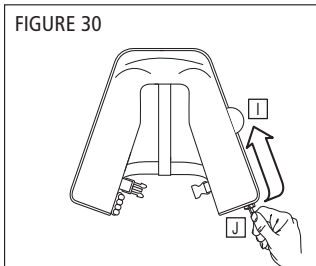
6) Mustang Survival uses advanced 2-step zippers. **ZIP 1 - Reset** the zipper by pulling the slider (H) around the top to the Velcro™ tab (I). **ZIP 2 - Close** by pulling the slider (H) in the opposite direction to the end the zipper (Fig. 28). Ensure that the Inflatable cell does not get caught by the zipper when closing.



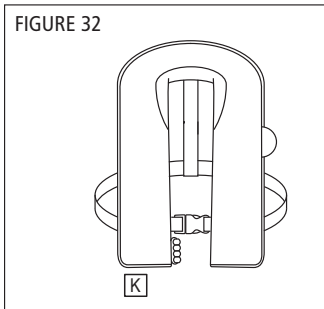
7) Fasten the Velcro™ tab (I) to keep zipper closed.



- 8) **ZIP 1 - Reset** the 2-step zipper by pulling the slider (J) to the Velcro™ tab (I). **ZIP 2 - Close** by pulling slider (J) in the opposite direction to the end the zipper (Fig. 31). Ensure that the Inflatable cell does not get caught by the zipper when closing.



- 9) Use a finger to push the zipper ends into the openings at the bottom of the packed Inflatable PFD.
- 10) Ensure the beaded handle (K) is on the outside of the folded LP. Fig. 32 depicts a correctly folded LP.

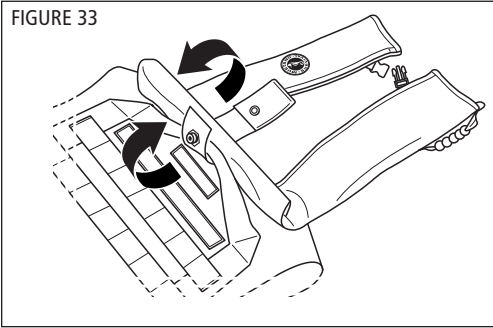


Integration Instructions with MOLLE Webbing System

CAUTION: Suitable anchor points must be used as outlined in the following instructions.

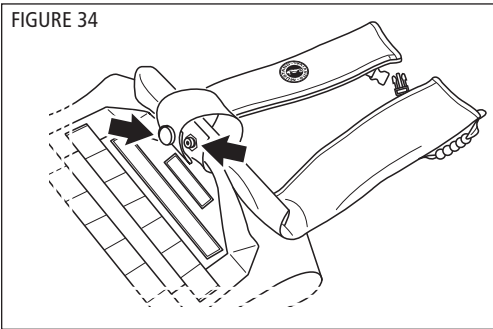
- 1) Lay the vest down on a clean flat surface with the back of the vest facing up. Lift up the emergency extraction strap, or other anchor point, on the back of the vest and loop the back attachment of the MD3196 Life Preserver around the extraction strap (Fig. 33).

FIGURE 33



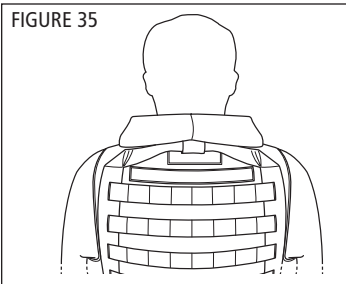
2) Secure the MD3196 back attachment strap with the snap (Fig. 34).

FIGURE 34



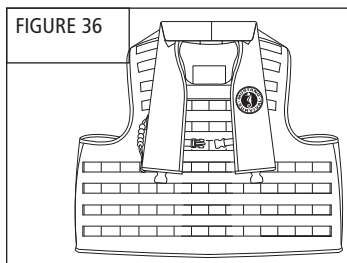
Back view after attachment (Fig. 35).

FIGURE 35



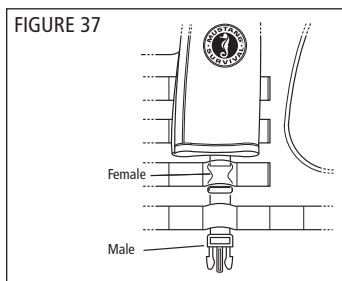
3) Turn the vest, with the attached MD3196 Life Preserver over and lay with the front of the vest facing up. Position the two front lobes of

the Life Preserver perpendicular to the webbing running across the vest (Fig. 36).

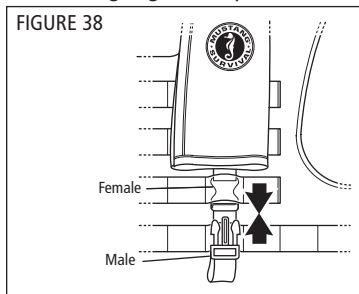


NOTE: The LP must be integrated into two rows of MOLLE webbing for optimal flotation performance.

- 4) Feed the male buckle under two rows of webbing. Insert the female buckle under the upper row of webbing (Fig. 37). Ensure the webbing is not twisted.

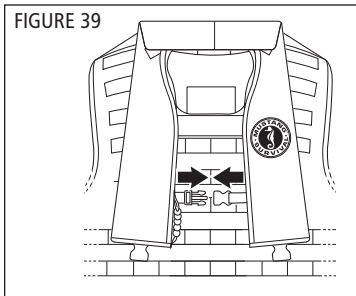


- 5) Loop the male buckle back up and over the webbing and fasten it to the female buckle. Cinch by pulling down on the loose end of the webbing (Fig. 38). Repeat for the other side.



Additional Steps:

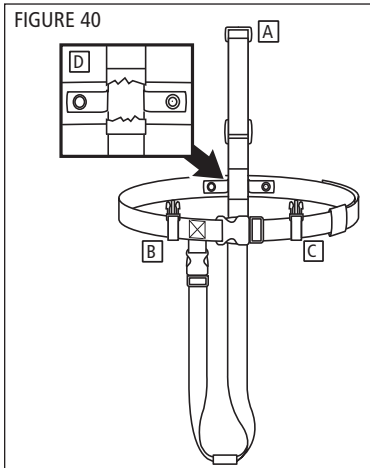
- a) Fasten the buckle that connects the left and right lobes in front of the chest section of the vest. Cinch by pulling on the loose end of the webbing (Fig. 39).



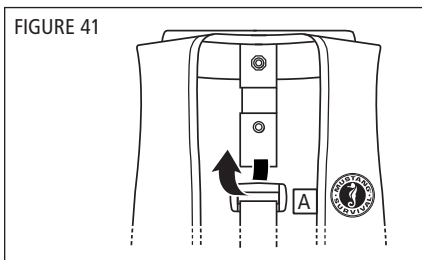
- b) Ensure all buckles are securely fastened, under the webbing, and webbing adjustments are tight.

Attachment Instructions for MA3090 Chest Belt/Crotch Strap Assembly

- 1) Layout the MA3090 chest belt/crotch strap assembly as shown (Fig. 40).
 - A. Looploc
 - B. Right male buckle (as worn)
 - C. Left male buckle (as worn)
 - D. T-tab junction with snap (Fig. 40).

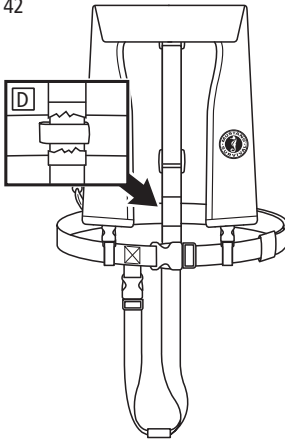


- 2) Insert the short side of the webbing attachment, on the back of the MD3196 life preserver, through Looploc (A) on back strap of the chest belt accessory (Fig. 41). Securely fasten the snap.



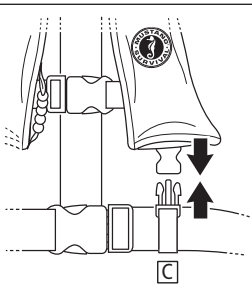
- 3) Locate T-tab junction at the top of the crotch strap (D) and thread through the lower back chest belt loop. Secure the T-tab with the snap. Once the snap is securely fastened, turn the snapped portion so it is positioned inside the chest belt loop away from the body (Fig. 42).

FIGURE 42



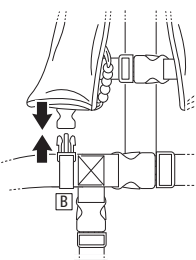
- 4) Click the male buckle attachment (C) into corresponding female buckle on the front of the chest belt (Fig. 43).

FIGURE 43

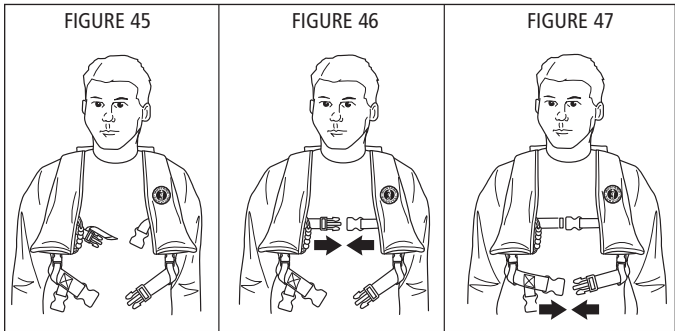


- 5) Repeat step 4 with buckle attachments (B) for the other side (Fig. 44).

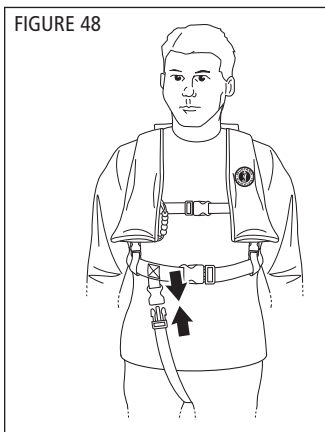
FIGURE 44



- 6) Unfasten the crotch strap. Put the life preserver on as shown (Fig. 45).
- 7) Buckle chest buckle that connects the right and left lobes of the life preserver (Fig. 46).
- 8) Buckle chest belt (Fig. 47).



- 9) Bring crotch strap to the front between the legs and securely buckle to chest strap (Fig. 48).



Auto/Manual Conversion Cap (MA7219) Instructions

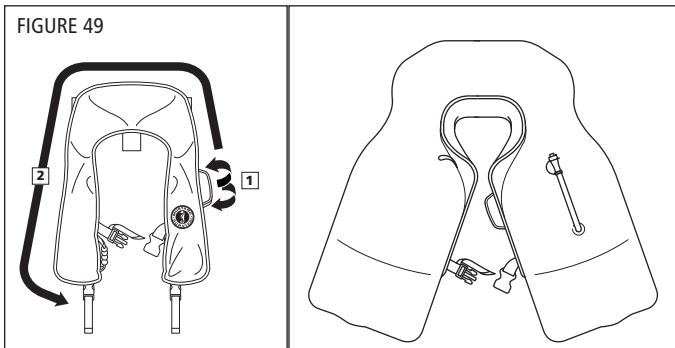
These instructions apply only when the MA7219 is used with a MD3196 with an armed Hammar M1 inflator - green status indicator.

Conversion Instructions

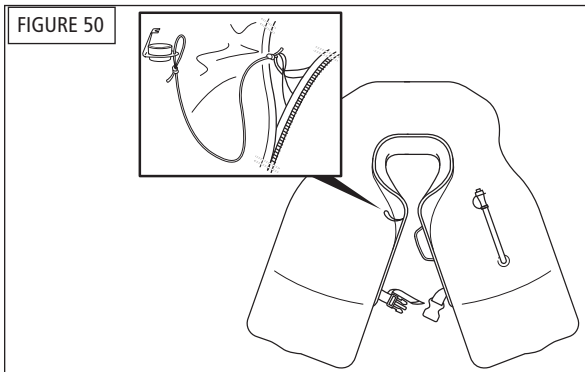
This will convert the MD3196 from an automatic inflation device to a manual inflation device. The device may be changed back to an automatic inflation device by removing the conversion cap.

CAUTION: A manual inflation device will not inflate on water contact unless the wearer activates the inflator.

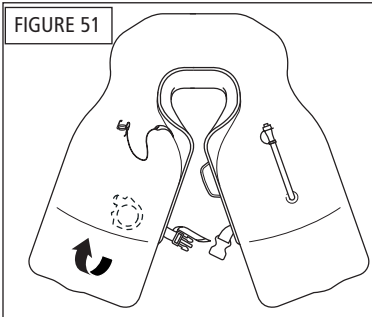
- 1) Completely unzip the MD3196 zipper (Fig.49).



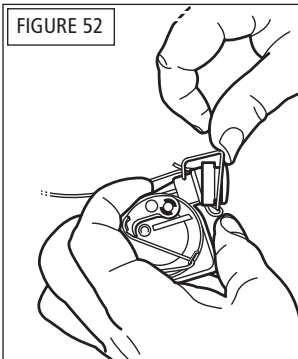
- 2) Fasten, by tying, the conversion cap lanyard to the loop found between the inflatable cell and the cover.



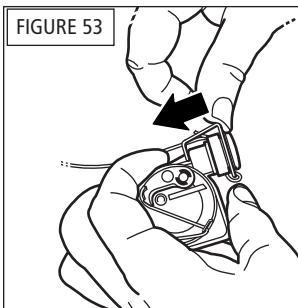
3) Access the inflator cap by turning the inflatable cell to reveal it.



4) Position the conversion cap over the inflator's hydrostatic valve opening. The conversion cap's metal clip should be placed along the top of the inflator's hydrostatic valve (Fig.52).

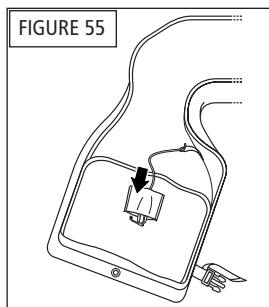
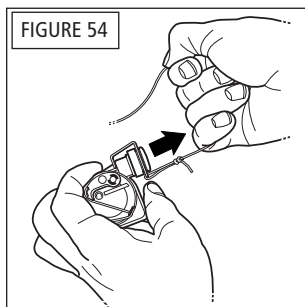


5) Secure the conversion cap to the inflator's hydrostatic valve by applying pressure to the cap, at the metal clip.

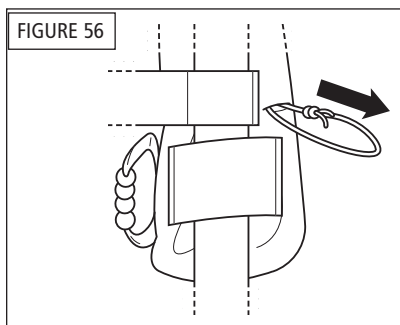


Conversion Cap Removal

Once the conversion cap is removed, the MD3196 becomes an automatic inflation device. Firmly pull the conversion cap lanyard to remove the conversion cap (Fig.54). Place the conversion cap in the anti-chafing cover when not in use (Fig.55).



To remove the conversion cap when packed, pull the conversion cap lanyard out from the opening at the back of the LP's right lobe. Visually confirm the conversion cap has been removed from the valve opening.



IS YOUR LP IN GOOD AND SERVICEABLE CONDITION?

Check your LP between outings to be sure that it is properly armed; that it is free of rips, tears or holes; that all seams are securely sewn; and that the fabric, straps and hardware are still free from defects. Inspect the inflatable portion of the LP in accordance with the CARE AND

MAINTENANCE INSTRUCTIONS.

CARE AND MAINTENANCE INSTRUCTIONS

1) **Before Each Use:**

See the Readiness Checklist (p. 3).

2) **Every 180 Days:**

- i) **Leak Test:** The LP should be tested for general leakage by orally inflating your Inflatable PFD until firm and let stand 16 hours. A leaking LP will not hold its firmness and should be replaced. If your LP leaks, take it to your service department for evaluation and/or servicing. Repack the LP as outlined in the Repacking section (p. 12).
- ii) **Oral Inflation Valve Test:** To check the oral inflation valve, fully inflate the LP using the oral inflator and hold valve under water. If bubbles appear, deflate and re-inflate to test again. Should the leak persist, take your LP to your Mustang dealer for evaluation and/or servicing.

CAUTION: To avoid accidental inflation, don't allow the water to contact the hydrostatic inflator.

- iii) Perform a thorough visual examination. See **Readiness Checklist** (p. 3).

Perform these tests more often if exposed to potential damage or used in extreme conditions.

3) **After Each Inflation** - Re-arm the LP. See Re-arming Your LP for your model.

4) **Annually** - Perform the following annually, after inflation, or whenever the integrity of the LP in doubt:

- i) Check all components for dirt or corrosion. Clean or replace, as necessary. See **Readiness Checklist** (p. 3).
- ii) Visually examine your LP for damage or excessive abrasion, wear, tear or contamination. Particular attention must be paid to the stitching, straps and hardware. If in doubt, send it to your service department for evaluation and/or servicing.
- iii) Perform the Oral Inflation Valve Test: See the Oral Inflation Valve Test in the Every 180 Days Care and Maintenance Instructions

section.

iv) Perform the Leak Test. See the Leak Test in the Every 180 Days Care and Maintenance Instructions section.

v) For the MD3196 only - Ensure the current date is not past the date on the inflator. If it is, replace the inflator (see Re-arming Your MD3196, p. 7).

vi) Ensure the service indicator is green (Fig. 1).

vii) Record as an "Annual" inspection in permanent ink on the Care and Storage label, in the Date Maintained column.

Repack the Inflatable PFD as outlined in the Repacking section (p. 12).

WARNING: If you are not confident in the self inspection and servicing of your LP, in accordance with these instructions, take your LP to your service department for professional servicing.

MD3196 Accessories

MA7214-10 Re-Arm Kit - 33 gram CO₂ replacement cylinder and inflator cap for the MD3196. MA7170 Re-Arm Kit - 33 gram CO₂ replacement cylinder and inflator cap for the MD3091. MA3090 Chest Belt/Crotch Strap Assembly, MA7219 Auto/Manual Conversion Cap.

Cleaning and Storing Your LP

To avoid inflation, do not submerge the Inflatable PFD or directly spray the inflator.

- 1) Hand wash or sponge down the Inflatable PFD in warm, soapy water.
- 2) Rinse the PFD and inflator with clean water, using a clean rinse cloth.
- 3) Hang the Inflatable PFD to dry on a plastic coat hanger. Do not dry clean.
- 4) Always store your Inflatable PFD in a warm, dry place out of direct sunlight.

How and Why to Test your LP

Fully inflate your LP using the oral inflator until firm and try it out in the water to:

- Make sure it floats you:

Comfortably (when worn properly)

Adequately for expected operations (Body shapes/densities, and equipment carried affect performance)

- Make sure it works:

A flow of bubbles should not appear (see CARE AND MAINTENANCE INSTRUCTIONS for leak tests P. 25)

It should inflate quick and easily.

NOTE: Mustang Survival recommends in-water training upon hydrostatic inflator expiration (MD3196 only).

- Learn how it works by:

Activating the CO₂ inflation system

Re-arming the CO₂ inflation system

Using the oral inflator tube

HOW DO YOU TEST YOUR LP USING THE MANUAL INFLATOR?

- 1) To test your LP, you will need your fully armed LP, and approved re-arming kit.
- 2) Put on the LP.
- 3) Actuate the inflation system by jerking firmly downward on the beaded handle. The LP should fully inflate within 5 seconds.
- 4) Get into shallow water, just deep enough that you can stand with your head above the surface.
- 5) See if the LP will float you on your back or just slightly back of vertical. In a relaxed floating position, verify that your mouth is well above the water's surface. Note the effect of where you hold your legs and how you float.
- 6) Get out of the water and remove the LP. Completely deflate the LP using the oral inflator (see Deflating the Inflated LP p. 6).
- 7) Let the LP dry thoroughly. Re-arm and Repack the LP (p. 12).

HOW DO YOU TEST YOUR LP USING THE AUTOMATIC INFLATOR?

- 1) To test your MD3196, you will need your fully armed MD3196, and re-arming kit (MA7214 10).
- 2) Put on the MD3196.
- 3) Get into shallow water, just deep enough that you can stand with your head above the surface. Once the inflator is underwater, 4 inches or so, the MD3196 should fully inflate automatically within 5 seconds.
- 4) See if the MD3196 will float you on your back or just slightly back of vertical. In a relaxed floating position, verify that your mouth is well above the water's surface. Note the effect of where you hold your legs on how you float.
- 5) Get out of the water and remove the MD3196. Remove the used inflator.
- 6) Deflate the MD3196 by depressing the oral inflator valve (see Deflating the Inflated LP p. 6).
- 7) Let the MD3196 dry thoroughly. Re-arm and Repack the PFD (p. 12).

HOW DO YOU TEST YOUR PFD USING THE ORAL INFLATOR?

This test is not mandatory, however may be conducted using the following procedure.

WARNING: Use only a previously fired hydrostatic inflator to perform this test. DO NOT test with a fully armed hydrostatic inflator as double inflation may occur, possibly resulting in cell damage.

- 1) No spare parts or re-arming kits are needed to test your LP.
- 2) Put on the LP.
- 3) Fully inflate the LP using the oral inflator.
- 4) If you are a weak swimmer or non-swimmer, inflate the Inflatable PFD partially so that you are supported well enough to be able

to complete inflation without touching bottom, either orally or manually. Note this level of inflation because it is the minimum needed for you to safely use this Inflatable PFD.

- 5) Get into shallow water, just deep enough that you can stand with your head above the surface.
- 6) See if the LP will float you on your back or just slightly back of vertical. In a relaxed floating position, verify that your mouth is well above the water's surface. Note the effect of where you hold your legs on how you float.
- 7) Get out of the water and remove the LP. Completely deflate the LP using the oral inflator (see Deflating the Inflated LP p. 6).
- 8) Let the LP dry thoroughly. See Cleaning and Storing Your LP, Re-arm and Repack the PFD (p. 12).



WE SAVE LIVES FOR A LIVING

www.mustangsurvival.com

3870 Mustang Way
Bellingham, WA
USA 98226

TOLL FREE 1.800.526.0532
EMAIL mustangusa@mustangsurvival.com

Mustang Survival and seahorse design is a registered trademark of Mustang Survival Corp.

Our commitment to quality has earned our Richmond facilities ISO 9001 registration, the highest of all international standards. This is our guarantee you're receiving the ultimate in design and manufacturing.

HT-1127 Printed in Canada (Rev 31 July 06)