

Diaphragm Valve, Metal

Construction

The GEMÜ 625 2/2-way diaphragm valve has a low maintenance piston actuator which can be controlled by inert gases. Normally Closed, Normally Open and Double Acting control functions are available. An optical position indicator is integrated as standard.

Features

- Suitable for inert and corrosive* liquid and gaseous media
- Insensitive to particulate media
- Valve body and diaphragm available in various materials and designs
- Compact design (ideal when space is at a premium)
- CIP/SIP cleaning and sterilizing capabilities
- Versions according to ATEX on request

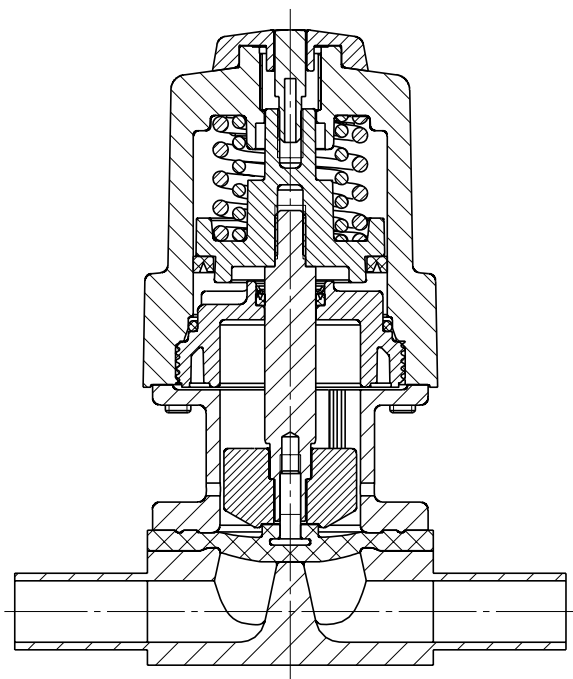
Advantages

- Hermetic separation between medium and actuator
- For sterile applications
- Optional flow direction
- Installation for an optimized draining is possible
- Optional accessories:
 - Stroke limiter
 - Electrical position indicators with microswitches or proximity switches

*see information on working medium on page 2



Sectional drawing



Technical data

Working medium

Corrosive, inert, gaseous and liquid media which have no negative impact on the physical and chemical properties of the body and diaphragm material.

Temperatures

Media temperature

FKM (Code 4)	-10 ... 90 °C
EPDM (Code 13)	-10 ... 100 °C
EPDM (Code 17)	-10 ... 100 °C
PTFE/EPDM (Code 54)	-10 ... 100 °C

Sterilisation temperature ⁽¹⁾

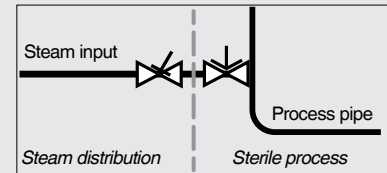
FKM (Code 4)	not applicable
EPDM (Code 13)	max. 150 °C ⁽²⁾ , max. 60 min per cycle
EPDM (Code 17)	max. 150 °C ⁽²⁾ , max. 180 min per cycle
PTFE/EPDM (Code 54)	max. 150 °C ⁽²⁾ , no time limit per cycle

¹ The sterilisation temperature is valid for steam (saturated steam) or superheated water.

² If the sterilisation temperatures listed above are applied to the EPDM diaphragms for longer periods of time, the service life of the diaphragms will be reduced. In these cases, maintenance cycles must be adapted accordingly. This also applies to PTFE diaphragms exposed to high temperature fluctuations. PTFE diaphragms can also be used as moisture barriers; however, this will reduce their service life. The maintenance cycles must be adapted accordingly.

GEMÜ 555 and 505 globe valves are particularly suitable for use in the area of steam generation and distribution.

The following valve arrangement for interfaces between steam pipes and process pipes has proven itself over time: A globe valve for shutting off steam pipes and a diaphragm valve as an interface to the process pipes.



Ambient temperature

0 ... 60 °C

Control medium

Inert gases

Max. perm. temperature of control medium

40 °C

Filling volume

0.02 dm³

		Operating pressure	Control pressure [bar]		
Diaphragm size	DN	[bar]	Stf. 1	Stf. 2	Stf. 3
10	10 - 20	0 - 6	5 - 7	max. 6.0	max. 5.0

All pressures are gauge pressures. Operating pressure values were determined with static operating pressure applied on one side of a closed valve. Sealing at the valve seat and atmospheric sealing is ensured for the given values. Information on operating pressures applied on both sides and for high purity media on request.

Technical data

Kv values [m³/h]

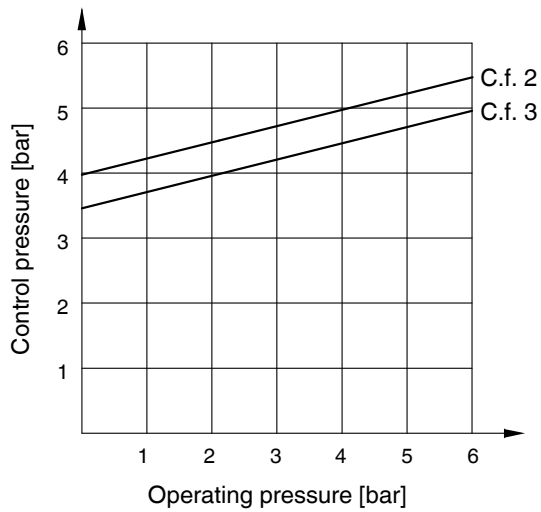
Pipe standard		DIN	EN 10357 series B (formerly DIN 11850 series 1)	EN 10357 series A (formerly DIN 11850 series 2) / DIN 11866 series A	DIN 11850 Series 3	ASME BPE / DIN 11866 series C	ISO 1127 / EN 10357 series C / DIN 11866 series B
Connection code		0	16	17	18	59	60
MG	DN						
10	10	-	2.4	2.4	2.4	2.2	3.3
	15	3.3	3.8	3.8	3.8	2.2	4.0
	20	-	-	-	-	3.8	-

MG = diaphragm size

Kv values determined acc. to DIN EN 60534, inlet pressure 5 bar, Δp 1 bar, stainless steel valve body (forged body) and soft elastomer diaphragm. The Kv values for other product configurations (e.g. other diaphragm or body materials) may differ. In general, all diaphragms are subject to the influences of pressure, temperature, the process and their tightening torques. Therefore the Kv values may exceed the tolerance limits of the standard.

The Kv value curve (Kv value dependent on valve stroke) can vary depending on the diaphragm material and duration of use.

Control pressure / operating pressure diagram



The control pressure depending on the prevailing operating pressure, as shown in the diagram, is intended as a guide for operating the system with low wear on the diaphragm.

Order data

Body configuration	Code
Tank valve body	B**
2/2-way body	D
T body	T*
* For dimensions see T Valves brochure	
** Dimensions and versions on request	

Valve body material	Code
1.4435, investment casting	C3
1.4408, investment casting	37
1.4435 (316 L), forged body	40
1.4435 (BN2), forged body $\Delta Fe < 0,5\%$	42
1.4539, forged body	F4

Connection	Code
Butt weld spigots	
Spigots DIN	0
Spigots EN 10357 series B (formerly DIN 11850 series 1)	16
Spigot EN 10357 series A (formerly DIN 11850 series 2) / DIN 11866 series A	17
Spigots DIN 11850 series 3	18
Spigots JIS-G 3459	36
Spigots BS 4825 Part 1	55
Spigot ASME BPE / DIN 11866 series C	59
Spigot ISO 1127 / EN 10357 series C / DIN 11866 series B	60
Spigots ANSI/ASME B36.19M Schedule 10s	63
Spigots ANSI/ASME B36.19M Schedule 5s	64
Spigots ANSI/ASME B36.19M Schedule 40s	65
Threaded connections	
Threaded sockets DIN ISO 228	1
Threaded spigots DIN 11851	6
Cone spigot and union nut DIN 11851	6K
Aseptic unions on request	
Clamp connections	
Clamps ASME BPE for pipe ASME BPE, length ASME BPE	80
Clamps DIN 32676 series B for pipe EN ISO 1127, length EN 558, series 7	82
Clamps ASME BPE for pipe ASME BPE, length EN 558, series 7	88
Clamps DIN 32676 series A for pipe DIN 11850, length EN 558, series 7	8A
Clamps SMS 3017 for pipe SMS 3008, length EN 558, series 7	8E
Clamps DIN 32676 series C, length FTF ASME BPE	8P
Clamps DIN 32676 series C, length FTF EN 558 series 7	8T
Aseptic clamps on request	
For overview of available valve bodies see page 10	

Diaphragm material	Code
FKM	4
EPDM	13
EPDM	17
EPDM	19
EPDM	36
PTFE/EPDM, one-piece	54
Material complies with FDA requirements, except codes 4	

Control function	Code
Normally closed (NC)	1
Normally open (NO)	2
Double acting (DA)	3

Actuator size	Code
Standard version	1/N

Order data

Internal surface finishes for forged and block material bodies ¹

Readings for Process Contact Surfaces	Mechanically polished ²		Electropolished	
	Hygienic class DIN 11866	Code	Hygienic class DIN 11866	Code
Ra ≤ 0.80 µm	H3	1502	HE3	1503
Ra ≤ 0.60 µm	-	1507	-	1508
Ra ≤ 0.40 µm	H4	1536	HE4	1537
Ra ≤ 0.25 µm ³	H5	1527	HE5	1516

Readings for Process Contact Surfaces acc. to ASME BPE 2016 ⁴	Mechanically polished ²		Electropolished	
	ASME BPE Surface Designation	Code	ASME BPE Surface Designation	Code
Ra Max. = 0.76 µm (30 µinch)	SF3	SF3	-	-
Ra Max. = 0.64 µm (25 µinch)	SF2	SF2	SF6	SF6
Ra Max. = 0.51 µm (20 µinch)	SF1	SF1	SF5	SF5
Ra Max. = 0.38 µm (15 µinch)	-	-	SF4	SF4

Internal surface finishes for investment cast bodies

Readings for Process Contact Surfaces	Mechanically polished ²	
	Hygienic class DIN 11866	Code
Ra ≤ 6.30 µm	-	1500
Ra ≤ 0.80 µm	H3	1502
Ra ≤ 0.60 µm ⁵	-	1507

¹ Surface finishes of customized valve bodies may be limited in special cases.

² Or any other finishing method that meets the Ra value (acc. to ASME BPE).

³ The smallest possible Ra finish for pipe connections with an internal pipe diameter < 6 mm is 0.38 µm.

⁴ When using these surfaces, the bodies are marked according to the specifications of ASME BPE.

The surfaces are only available for valve bodies which are made of materials (e.g. GEMÜ material codes 40, 41, F4, 44) and use connections (e.g. GEMÜ connection codes 59, 80, 88) according to ASME BPE.

⁵ Not possible for GEMÜ connection code 59, DN 8 and GEMÜ connection code 0, DN 4.

Ra acc. to DIN EN ISO 4288 and ASME B46.1

Special function

Code

3-A compliant design

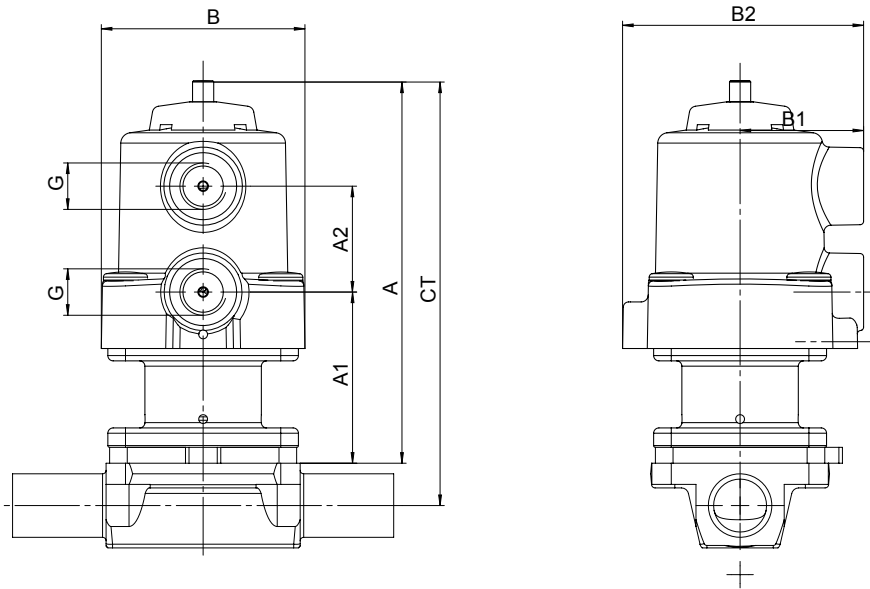
M

Order example	625	15	D	60	C3	54	1	1/N	1500	M
Type	625									
Nominal size		15								
Body configuration (code)			D							
Connection (code)				60						
Valve body material (code)					C3					
Diaphragm material (code)						54				
Control function (code)							1			
Actuator size (code)								1/N		
Surface finish (code)									1500	
Special function (code)										M

Dimensions [mm]

Actuator dimensions

Diaphragm size	A	A1	A2	B	B1	B2	G	Weight [kg]
10	110	49	30	57	35	68	G 1/4	0.45



* CT = A + H1 (see body dimensions)

Body dimensions [mm]

Butt weld spigots, connection code 0, 16, 17, 18 Valve body material: Investment casting (code C3), forged body (code 40, F4)

Pipe standard						DIN		EN 10357 series B (formerly DIN 11850 series 1)	EN 10357 series A (formerly DIN 11850 series 2) / DIN 11866 series A	DIN 11850 Series 3		Weight [kg]		
Connection code						0		16		17			18	
MG	DN	NPS	L	c	H1	ød	s	ød	s	ød	s		ød	s
10	10	3/8"	108	25	12.5	-	-	12	1.0	13	1.5	14	2.0	0.30
	15	1/2"	108	25	12.5	18	1.5	18	1.0	19	1.5	20	2.0	0.30

* only for investment cast design MG = diaphragm size For materials see overview on page 10

Butt weld spigots, connection code 60 Valve body material: Investment casting (code C3), forged body (code 40, F4)

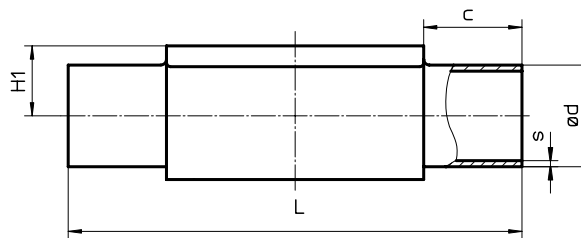
Pipe standard						ISO 1127 / EN 10357 series C / DIN 11866 series B		Weight [kg]
Connection code						60		
MG	DN	NPS	L	c	H1	ød	s	
10	10	3/8"	108	25	12.5	17.2	1.6	0.30
	15	1/2"	108	25	12.5	21.3	1.6	0.30

* only for investment cast design MG = diaphragm size For materials see overview on page 10

Butt weld spigots, connection code 36 Valve body material: Investment casting (code C3), forged body (code 40, F4)

Pipe standard						JIS-G 3459		Weight [kg]
Connection code						36		
MG	DN	NPS	L	c	H1	ød	s	
10	10	3/8"	108	25	12.5	17.3	1.65	0.30
	15	1/2"	108	25	12.5	21.7	2.10	0.30

MG = diaphragm size For materials see overview on page 10

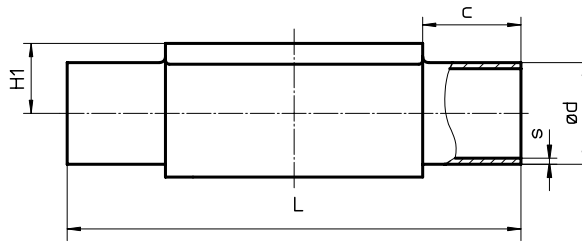


Body dimensions [mm]

Butt weld spigots, connection code 55, 59, 63, 64, 65 Valve body material: Investment casting (code C3), forged body (code 40, F4)

Pipe standard							BS 4825 Part 1	ASME BPE / DIN 11866 series C	ANSI/ASME B36.19M Schedule 10s	ANSI/ASME B36.19M Schedule 5s	ANSI/ASME B36.19M Schedule 40s	Weight [kg]					
Connection code							55	59	63	64	65						
MG	DN	NPS	L	c	H1*	H1**	ød	s	ød	s	ød		s	ød	s	ød	s
10	10	3/8"	108	25	-	12.5	9.53	1.2	9.53	0.89	17.1	1.65	-	-	17.1	2.31	0.30
	15	1/2"	108	25	-	12.5	12.70	1.2	12.70	1.65	21.3	2.11	21.3	1.65	21.3	2.77	0.30
	20	3/4"	108	25	12.5	12.5	19.05	1.2	19.05	1.65	-	-	-	-	-	-	0.30

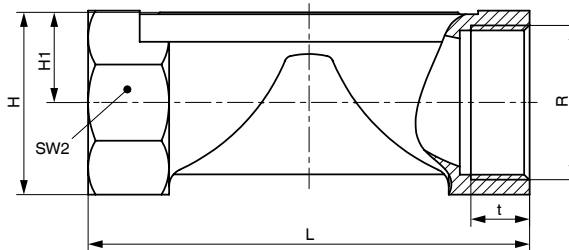
* only for investment cast design ** only for forged design MG = diaphragm size
For materials see overview on page 10



Threaded sockets, connection code 1 Valve body material: investment casting (code 37)

MG	DN	R	H	H1	t	L	SW2	Number of flats	Weight [kg]
10	12	G 3/8	25	13	12	55	22	2	0.17
	15	G 1/2	30	15	15	68	27	2	0.26

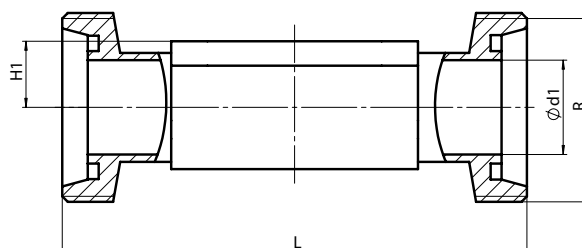
MG = diaphragm size



Threaded connections, connection code 6 Valve body material: forged body (code 40)

MG	DN	H1	ød1	Thread to DIN 405 R	L	Weight [kg]
10	10	12.5	10.0	RD 28 x 1/8	118	0.33
	15	12.5	16.0	RD 34 x 1/8	118	0.35

MG = diaphragm size

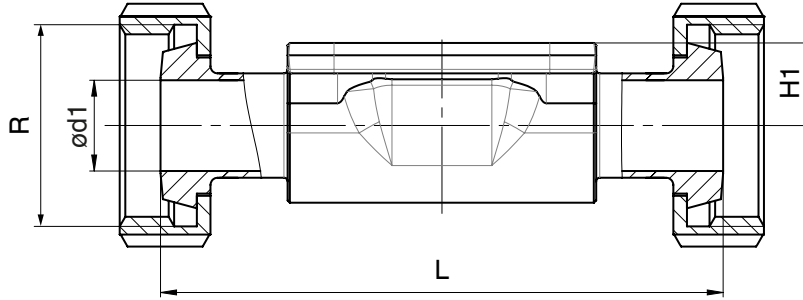


Body dimensions [mm]

**Cone spigot, connection code 6K
Valve body material: Forged body (code 40)**

MG	DN	H1	ød1	Thread to DIN 405 R	L	Weight [kg]
10	10	12.5	10.0	RD 28 x 1/8	116	0.33
	15	12.5	16.0	RD 34 x 1/8	116	0.35

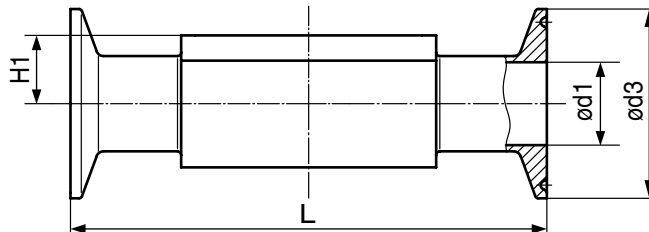
MG = diaphragm size



**Clamp connections, connection code 80, 82, 88, 8A, 8P, 8T
Valve body material: Forged body (code 40, F4)**

Pipe connection for clamp				ASME BPE						ISO 1127 / EN 10357 series C / DIN 11866 series B			EN 10357 series A (formerly DIN 11850 series 2) / DIN 11866 series A			Weight [kg]
Clamp connection				Code 80, 88 - ASME BPE Code 8P, 8T - DIN 32676 series C						DIN 32676 series B			DIN 32676 series A			
Clamp connection code				80, 8P			88, 8T			82			8A			
MG	DN	NPS	H1	ød1	ød3	L	ød1	ød3	L	ød1	ød3	L	ød1	ød3	L	
10	10	3/8"	12.5	-	-	-	-	-	-	14.0	25.0	108.0	10	34.0	108.0	0.30
	15	1/2"	12.5	9.40	25.0	88.9	9.40	25.0	108	18.1	50.5	108.0	16	34.0	108.0	0.43
	20	3/4"	12.5	15.75	25.0	101.6	15.75	25.0	117	-	-	-	-	-	-	0.43

MG = diaphragm size



Overview of valve bodies for GEMÜ 625

		Spigots													
Connection code		0	16	17		18	36	55	59		60		63	64	65
Material code		40	40	C3	40	40	40	40	C3	40	C3	40	40	40	40
MG	DN														
10	10	-	X	X	X	X	X	X	-	X	X	X	X	-	X
	15	X	X	X	X	X	X	X	-	X	X	X	X	X	X
	20	-	-	-	-	-	-	X	X	X	-	-	-	-	-

Availability of material code 42, F4: same as code 40
 MG = diaphragm size

		Threaded connections			Clamps			
Connection code		1	6, 6K	80, 8P	82	88, 8T	8A	
Material code		37	40	40	40	40	40	
MG	DN							
10	10	-	W	-	K	-	K	
	12	X	-	-	-	-	-	
	15	X	W	K	W	K	K	
	20	-	-	K	-	K	-	

X = Standard
 K = Connections completely machined (not welded)
 W = Welded construction
 Availability of material code 42, F4: same as code 40
 MG = diaphragm size

For further metal diaphragm valves, accessories and other products, please see our Product Range catalogue and Price List.
 Contact GEMÜ.