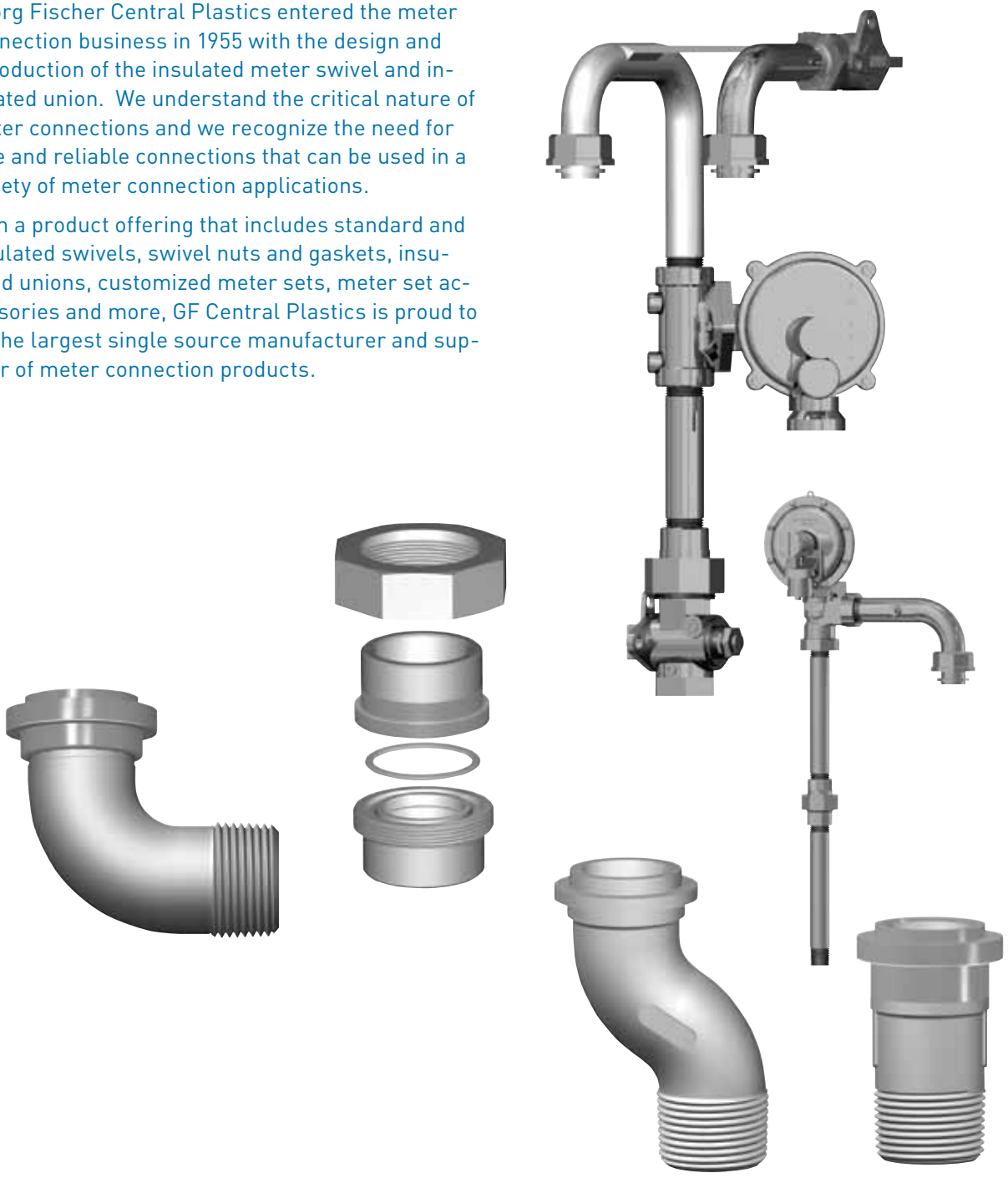


Meter Connection Products: Overview

Georg Fischer Central Plastics entered the meter connection business in 1955 with the design and introduction of the insulated meter swivel and insulated union. We understand the critical nature of meter connections and we recognize the need for safe and reliable connections that can be used in a variety of meter connection applications.

With a product offering that includes standard and insulated swivels, swivel nuts and gaskets, insulated unions, customized meter sets, meter set accessories and more, GF Central Plastics is proud to be the largest single source manufacturer and supplier of meter connection products.

Meter Connection Products



Meter Swivels: Straight Insulated

Complies with ASTM A197, ANSI B1.20.1 and ANSI B109.1

- Available in Black Malleable Iron (BMI)
- Available in Galvanized Malleable Iron (GMI)



INSULATED STRAIGHT SWIVELS

Size	MPT Dia.	Length	BMI Part Number	Wt.	GMI Part Number	Wt.	Box Qty.
10LT	¾"	2.31"	0081002	.25	0081003	.26	150
20LT	1"	2.75"	0081000	.45	0081001	.45	80
30LT	1¼"	2.91"	0081008	.57	0081009	.56	60
45LT	1½"	2.94"	0081018	.63	0081019	.66	50
100LT	2"	3.75"	0081016	1.43	0081017	1.47	15
20-10LT	¾"	2.38"	0081012	.31	0081013	.32	100
30-20LT	1"	2.84"	0081010	.45	0081011	.48	50
45-30LT	1¼"	2.88"	0081014	.91	0081015	.96	35
1A	¾"	2.38"	0081004	.30	0081005	.31	120
1A	1"	2.41"	0081026	.39	0081027	.41	100
# 4	1½"	3.06"	call	n/a	012331501302	.87	45

Meter Swivels: Straight Non-Insulated

Complies with ASTM A197, ANSI B1.20.1 and ANSI B109.1

- Available in Black Malleable Iron (BMI)
- Available in Galvanized Malleable Iron (GMI)



NON-INSULATED STRAIGHT SWIVELS

Size	MPT Dia.	Length	BMI Part Number	Wt.	GMI Part Number	Wt.	Box Qty.
10LT	¾"	2.31"	0150078	.26	0150079	.27	150
20LT	1"	2.75"	0150072	.47	0150073	.47	90
30LT	1¼"	2.91"	0150092	.58	0150093	.60	50
45LT	1½"	2.94"	0150094	.48	0150095	.49	45
100LT	2"	3.75"	0150104	1.43	0150105	1.44	20
20-10LT	¾"	2.38"	0150100	.32	0150101	.38	100
30-20LT	1"	2.84"	0150102	.49	0150103	.49	70
45-30LT	1¼"	2.88"	0080028	.93	0080029	.94	35
1A	¾"	2.38"	0170022	.31	0170023	.33	120
1A	1"	2.41"	0170020	.41	0170021	.41	100
# 2	1¼"	3.12"	017221200304	.61	call	n/a	50
# 4	1½"	3.06"	10001802	.89	017331501302	.87	40

For sizes not listed, call for availability.

Meter Swivels: Female Insulated

Complies with ASTM A197, ANSI B1.20.1 and ANSI B109.1



INSULATED FEMALE SWIVELS

Size	FPT Dia.	Length	BMI Part Number	Wt.	GMI Part Number	Wt.	Box Qty.
1A	3/4"	1.12"	call	n/a	0120004	.15	200

Meter Swivels: Non-Insulated Female Swivels

Complies with ASTM A197, ANSI B1.20.1 and ANSI B109.1

- Available in Black Malleable Iron (BMI)
- Available in Galvanized Malleable Iron (GMI)
- **Available Zinc Plated with yellow Dichromate



NON-INSULATED FEMALE SWIVELS

Size	FPT Dia.	Length	BMI Part Number	Wt.	GMI Part Number	Wt.	Box Qty.
45LT	1 1/4"	1.44"	call	N/A	0080035**	.42	50
1A	3/4"	1.12"	0170026	1.60	0170027	.16	250
# 3	1 1/4"	1.25"	call	N/A	call**	.46	50
5 A	2"	2.00"	10003334	1.26	10003335	1.31	25

For sizes not listed, call for availability.

**Carbon Steel with Zinc Plate Yellow Dichromate

Meter Swivels: Offset Insulated

Complies with ASTM A197, ANSI B1.20.1 and ANSI B109.1

- Available in Black Malleable Iron (BMI)
- Available in Galvanized Malleable Iron (GMI)



For sizes not listed, call for availability.

INSULATED OFFSET SWIVELS

Size	MPT Dia.	Offset	Length	BMI Part Number	Wt.	GMI Part Number	Wt.	Box Qty.
10LT	3/4"	1/2"	2.31"	call	n/a	0081209	.22	150
10LT	3/4"	1"	3.12"	0081202	.39	0081203	.41	100
10LT	3/4"	3.94"	4.12"	0081214	.77	call	n/a	50
20LT	1"	1"	3.50"	0081200	.58	0081201	.60	60
30LT	1 1/4"	1"	3.75"	0081210	.71	0081211	.73	35
45LT	1 1/2"	1"	4.00"	0081264	1.06	0081265	1.10	35
10-5LT	1/2"	3"	4.00"	0081206	.56	0081207	.57	70
20-10LT	3/4"	1.62"	3.75"	0081212	.57	call	n/a	60
1A	1/2"	2.75"	3.31"	0081216	.52	0081217	.527	60
1A	3/4"	1"	2.69"	0081204	.31	0081205	.34	135

Meter Swivels: Offset Non-Insulated

Complies with ASTM A197, ANSI B1.20.1 and ANSI B109.1

- Available in Black Malleable Iron (BMI)
- Available in Galvanized Malleable Iron (GMI)



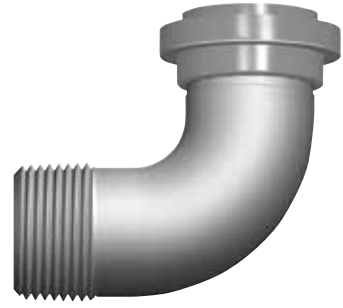
NON-INSULATED OFFSET SWIVELS

Size	MPT Dia.	Offset	Length	BMI Part Number	Wt.	GMI Part Number	Wt.	Box Qty.
10LT	3/4"	1/2"	2.31"	0150082	.27	0150083	.29	150
10LT	3/4"	1"	3.12"	0150080	.40	0150081	.50	100
10LT	3/4"	3.94"	4.13"	0150098	.86	call	.88	45
20LT	1"	1"	3.5"	0150074	.68	0150075	.76	60
30LT	1 1/4"	1"	3.75"	0150084	.75	0150085	.77	40
45LT	1 1/2"	1"	4"	0150096	1.06	0150097	1.12	30
60LT	1 1/2"	1"	5.38"	0080230	1.25	10003755	1.31	15
10-5LT	1/2"	3"	4"	0150090	.59	0150091	.67	70
20-10LT	3/4"	1/2"	2.75"	0150088	.45	0150089	.46	75
20-10LT	3/4"	1.62"	3.75"	10003330	.63	call	n/a	60
20-10LT	3/4"	3.62"	3.5"	0150041	.74	call	n/a	50
30-20LT	1"	1"	2.84"	10003134	.48	10003135	.50	75
1A	1/2"	2.75"	3.31"	0170018	.54	0170019	.56	70
1A	3/4"	1"	2.69"	0170024	.35	0170025	.37	100

Meter Swivels: Insulated Elbows

Complies with ASTM A197, ANSI B1.20.1 and ANSI B109.1

- Available in Black Malleable Iron (BMI)
- Available in Galvanized Malleable Iron (GMI)



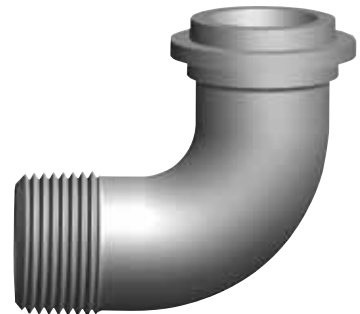
INSULATED 90° ELBOWS

Size	MPT .	Length	BMI Part Number	Wt.	GMI Part Number	Wt.	Box Qty.
20LT	1"	2.22"	call	n/a	01020013100	.59	70

Meter Swivels: Non-Insulated Elbows

Complies with ASTM A197, ANSI B1.20.1 and ANSI B109.1

- Available in Black Malleable Iron (BMI)
- Available in Galvanized Malleable Iron (GMI)



NON-INSULATED 90° ELBOWS

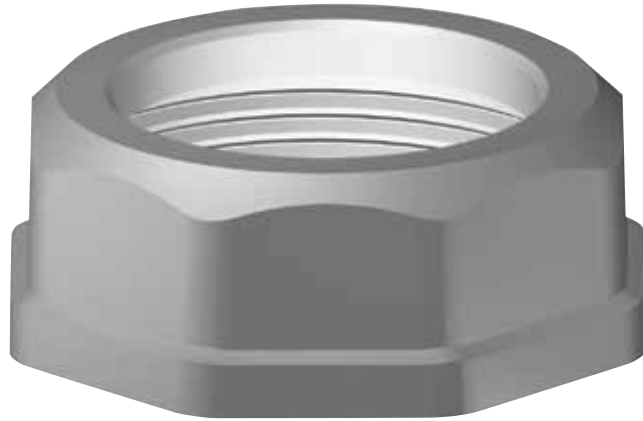
Size	MPT Dia.	Length	BMI Part Number	Wt.	GMI Part Number	Wt.	Box Qty.
10LT	¾"	2.03"	0150076	.35	call	.37	100
20LT	1"	2.22"	0150112	.58	0150113	.60	50

For sizes not listed, call for availability.

Meters Swivels: Nuts

Complies with ASTM A197, ANSI B1.20.1 and ANSI B109.1

- Available in Black Malleable Iron (BMI)
- Available in Galvanized Malleable Iron (GMI)



Meter Connection Products

SWIVEL NUTS

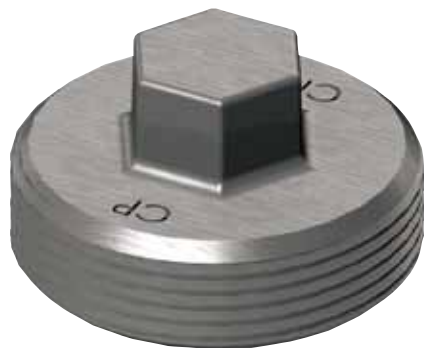
Size	BMI Part Number	Wt.	GMI Part Number	Wt.	Box Qty.
10LT	0150066	.14	0150067	.16	250
20LT	0150068	.24	0150069	.25	150
30LT	0150070	.30	0150071	.31	90
45LT	0150086	.43	0150087	.45	60
60LT	0070016	.48	call	n/a	75
100LT	0100068	1.14	0100069	1.19	30
1A	0170016	.20	0170017	.25	150
#3 (#4)	012SN1150000	.67	012SN1151000	.68	60
5A	call	n/a	0170007	1.62	25
1 1/4"	0160063	.22	0160064	.22	150

For sizes not listed, call for availability.

Meters Swivels: Nut Plug

Complies with ASTM A197, ANSI B1.1 and ANSI B109.1

- Available in Black Malleable Iron (BMI)
- Current Sizes available: 10LT,1A, 20LT, 30LT, 45LT



Meters Swivels: Connection Blind

Complies with ANSI B109.1

- Available in tinned steel
- Current sizes available: 10LT, 1A, 20LT, 30LT, 45LT, and 100LT



Meter Swivels: Gaskets

Complies with ASTM D2000



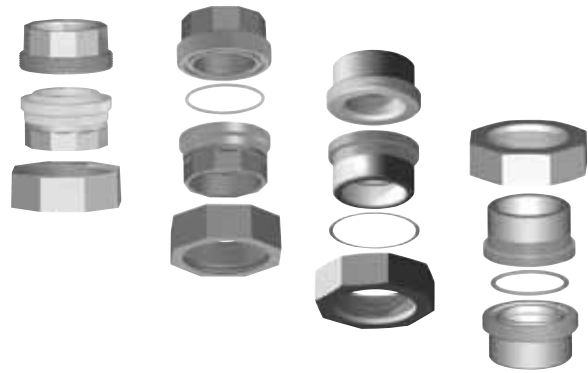
SWIVEL GASKETS(.100 THICK NEOPRENE)

Size	Part Number	Wt.	Bag Qty.
5LT	10003074	.02"	100
10LT	10003075	.02"	100
20LT	10003076	.02"	100
30LT	10003077	.02"	100
45LT	10003078	.02"	100
60LT	10003079	.02"	100
100LT	10003080	.02"	100
1A (#1)	10003081	.02"	100
#2	10003082	.02"	100
#3 (#4)	10003083	.02"	100
5A (#5)	10003084	.02"	100

For sizes not listed, call for availability.

Meter Connection Products: Insulating Unions

The first of its kind, our insulated union incorporates a permanently molded and bonded material that allows the union to act as an interruption point in the metallic or conductive path between a pipeline and its associated plant and/or equipment while still providing a serviceable connection. Still recognized as an industry standard, Georg Fischer Central Plastics continues to offer ground-joint and o-ring type insulating unions as well as non-insulated unions.



Features: 150# and 3000# O-Ring Flat Faced Type Insulating Unions

- Confined O-Ring Seal – Allows union to be reused. Little torque required to make gas tight seal, yet permits extremely high compression.
- Brass Ring on 3000# Union serves as a bearing surface for the nut, eliminating undue wear or binding on nylon insulation when making-up.
- 150# Nut and Body made of high-test malleable iron conforming to ASTM A197
- 3000# Nut and Body made of forged steel conforming to ASTM A105
- Extra Heavy Shoulder – On tail piece, increases strength to withstand pipe strains, vibrations, misaligned connections and wrench abuse.
- Integral One-Piece Construction – Insulation is molded to metal body. No loose parts to assemble, or lose during field installation.
- Precision Threading – Tight tolerances achieved by expert machining. Meets ANSI B1.1 and B1.20.1
- Available octagon nut.
- Hammer lug available on request

Features: 150# and 3000# Ground Joint Insulating Unions

- Ground Joint – Extra-wide seating surface
- Precise Mating Tapers – High compression, gas-tight seal that will not loosen under strain or vibration.
- 150# Nut and Body made of high-test malleable iron and conforms to ASTM A197
- 3000# Nut and Body made of forged steel conforming to ASTM A105
- Extra Heavy Shoulder – On swivel end and nut, increases strength to withstand pipe strains, vibration, misaligned connections and wrench abuse.
- Integral One-Piece Construction – Insulation is molded to metal body. No loose parts to assemble, or lose during field installation.
- Precision Threading – Tight tolerances achieved by expert machining. Meets ANSI B1.1 and B1.20.1.
- Molded Nylon – Able to withstand extreme shock loads and impact without fracturing. Chemically unaffected by most substances including gas, water, ammonia, petroleum oils and greases at temperatures as high as 250°F. Additional protection against shorts caused by bridging of foreign material provided by a return of nylon on the internal surface. Dielectric strength far beyond the toughest requirements.

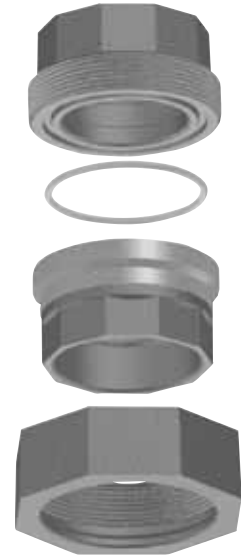
Insulated Unions: 150# “O” Ring Style

Flat faced type, 150 Class 300 CWP working pressure. Complies with ASTM A197: ANSI B1.20.1.

- Stops Galvanic and Electrolytic Corrosion of Mains and Services.
- Permanent Economical Protection
- Protects against stray or induced currents

150# “O” RING STYLE UNIONS

Size	BMI Part Number	Special Features	Weight	GMI Part Number	Weight	Box Qty.
¾"	1005116		.61	1005117	.63	50
¾"	1005130	Orange Nut	.61	call	n/a	50
1"	1005118		.86	1005119	.88	50
1"	10003110	Orange Nut	.86	call	n/a	50
1¼"	1005120		1.53	1005121	1.53	20
1¼"	1005140	Orange Nut	1.53	call	n/a	20
1½"	1005124		1.76	1005125	1.77	20
1½"	10003111	Orange Nut	1.76	call	n/a	20
2"	1005122		2.72	1005123	2.76	10
2"	1000016	Orange Nut	2.72	call	n/a	10



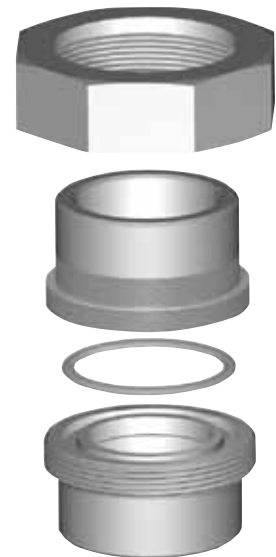
Insulated Unions: 3000# Forged Steel “O” Ring Style

Flat faced type, 3000 lb. working pressure

Complies with ASTM A105 material specification and ANSI B1.20.1

3000# FORGED STEEL “O” RING STYLE UNIONS

Size	Part Number	Weight	Box Qty.
¼"	108141499001	.36	100
½"	108505010000	.72	50
¾"	108757510000	1.12	30
1"	108010110000	1.62	20
1¼"	108121210000	2.52	10
1½"	108151510000	3.40	5
2"	108020210000	5.36	5
2½"	108252510000	9.69	2
3"	108030310000	13.48	2



For sizes not listed, call for availability.

Insulated Unions: 150# Ground Joint

150-Class, 300 lb. cold working pressure

Insulated products for cathodic protection: Complies with ASTM A197 and ANSI B1.20.1.

150# GROUND JOINT UNIONS

Size	BMI Part Number	Weight	GMI Part Number	Weight	Box Qty.
1/2"	10003374	.43	call	n/a	75
3/4"	1005100	.61	1005101	.64	50
1"	1005102	.84	1005103	.88	50
1 1/4"	1005104	1.50	1005105	1.50	20
1 1/2"	1005108	1.80	1005109	1.79	20
2"	1005106	2.64	1005107	2.70	10



Insulated Unions: 3000# Forged Steel Ground Joint

3000 lb. working pressure

Complies with ASTM A105 ANSI B1.20.1

3000# FORGED STEEL "GROUND JOINT" STYLE UNIONS

Size	Part Number	Wt.	Box Qty.
1/4"	108141400000	.34	100
3/8"	108383800000	.48	75
1/2"	108505000000	.72	50
3/4"	108757500000	1.12	30
1"	108010100000	1.66	20
1 1/4"	108121200000	2.54	10
1 1/2"	108151500000	3.48	5
2"	108020200000	5.41	5



For sizes not listed, call for availability.

Meter Connection Products: Meter Sets

Meter Sets

Georg Fischer Central Plastics is proud to offer a line of high performance, high quality gas meter products that are safe and economical. Our line of pre-fabricated meter sets, bends, loops, and components reflect over 50 years of common-sense engineering for the gas utility industry.

Our common-sense design replaces pipe fittings with formed pipe, thus replacing dangerous leaky joints with continuous pipe. Why mess with multiple parts, threaded joints, and long installation times when you can use **pre-fabricated parts that come built to your specifications.** Or order from our complete line of the most popular configurations of fully fabricated meter sets, meter frames, meter bends and components. The finished installation will not only take less time to assemble and be safer for the homeowner but will look more finished and professional.

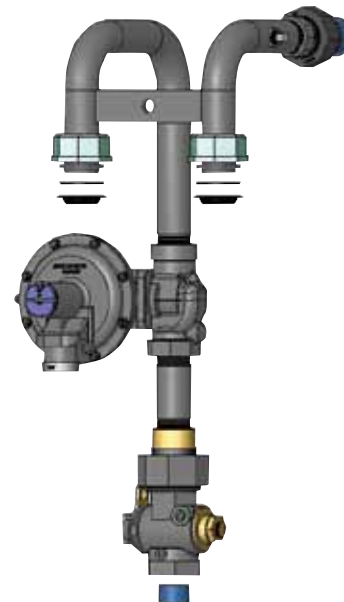
Features/Benefits

- Reduce on site labor cost. Meter setting installs in minutes.
- Fewer threaded joints eliminates risk of gas leaks, increasing safety of meter setting.
- Inventory control results from having to stock fewer meter setting parts and accessories.
- Several popular configuration available.
- State of the art coating capabilities coupled with the most advanced materials allow for years of corrosion protection.

Options

- Customized assemblies can be designed to meet your specific needs.
- Engineering capabilities to help develop and design a meter set that will fit your needs.
- Can be coupled with support brackets or support stakes.

All regulators, valves, and unions are per customer specification. Any configuration can be produced using our robotic welding system and automated assembly equipment. Systems can be customized using your specifications or can be designed by one of our in-house design engineers.



Meter Connection Products: Meter Sets

Technical Specifications

- Steel Piping / ASTM A53 or API 5L
- Threads / NPT ANSI B1.20.1
- Flange / Swivel Spec ANSI B109.1
- Welds / API 1104

Electrostatically Applied Fusion Bonded Epoxy and Fusion Bonded Polyester

- Fusion Bonded Polyester / Electrostatically Applied
- Cathodic Disbondment - ASTM A513 or A53
- Impact Resistance - ASTM G14
- Thickness / 2.0 to 5.0 mils
- Color / Meter Grey AGA #49
- Test / Salt Spray per ASTM B117

Testing and Compliance

All Georg Fischer Central Plastics Meter Sets meet or exceed the following applicable standards and are subjected to an extensive testing program to ensure consistent performance in the field that is safe, robust and reliable.

- DOT Code of Federal Regulations Title 49 Part 192
- Steel Gas Carrier - ASTM A53 /API5L
- Protective Coating

All parts are protected with an electrostatically applied fusion-bonded epoxy powder or polyester powder coating specifically designed for the exterior of gas petroleum pipelines.

- 8 Mil Minimum Thickness
- AGA 49 Grey
- Cathodic Disbondment Testing per ASTM G8
- Salt Spray Testing per ASTM B117
- Impact Resistance Testing per ASTM G14



Meter Connection Products: Loops, Bends and Manifolds

Georg Fischer Central Plastics offers the same quality and attention to manufacturing detail for our meter loops, bends, and manifolds as we do for our completely assembled meter sets. GF Central offers a complete line of meter bends allowing the flexibility of replacement. Sizes range from 1/2"-2" in threaded 90°, flanged 90°, 90° double loop, and 180° loops.



90° Bends



180° Loop



Double 90° Loop



90° Bends



Meter Connection Products