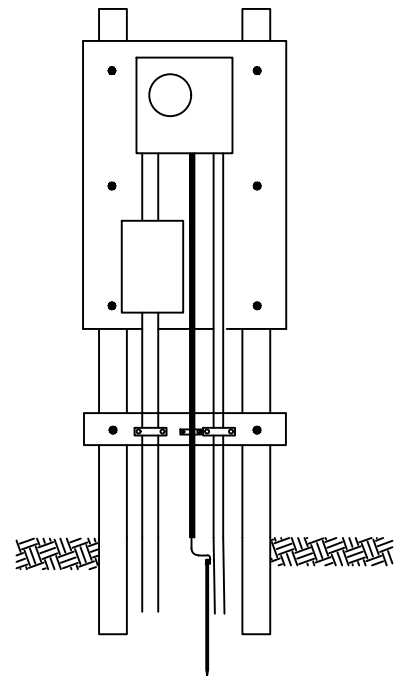
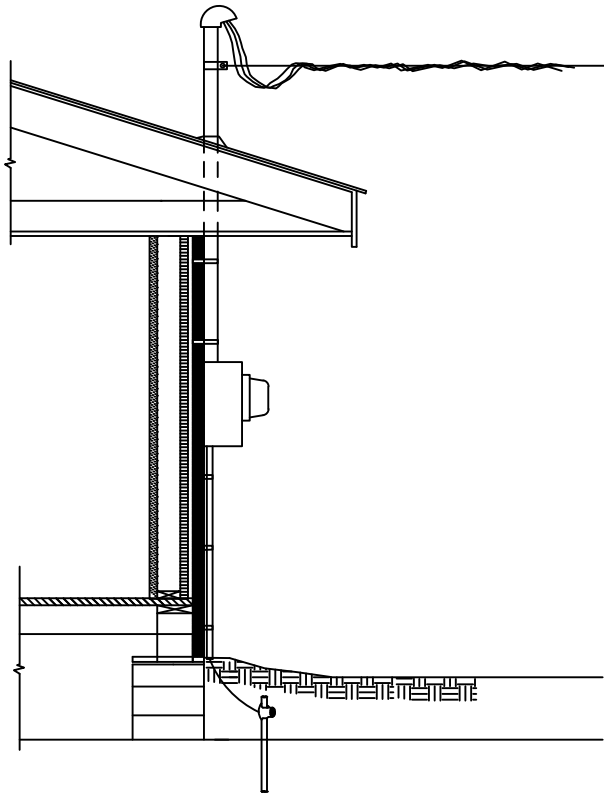


Horry Electric Cooperative, Inc.

A Touchstone Energy® Cooperative 



Meter Installation and
Specification Handbook
Version 1.5



Revision History

- Version 1 Spring 2016
- Original Document Release
- Version 1.1 Summer 2016
- Corrected issue with spacing at top of overhead temporary drawings
 - Corrected errors in numbered bullets in all drawings
- Version 1.2 Fall 2019
- Added Section 5.4 of General Information section to address Meter Trough Systems
- Version 1.3 Spring 2020
- Added Section 10 to address Generator Bypass Switches
- Version 1.4 Summer 2021
- Added 10"-18" Measurement on Page 15, 16 and 18
- Version 1.5 Winter 2021
- Removed Santee Cooper meter base exclusion on Page 12, 13, 25, 26 and 27

TABLE OF CONTENTS

SECTION 1	General Information	pg 1
SECTION 2	Electrical Safety and Code Clearances	pg 1
SECTION 3	Metering	pg 1
SECTION 4	Meter Locations and Clearances	pg 2
SECTION 5	Meter Sockets	pg 3
SECTION 6	Multi-Gang Services for Residential and Commercial Accounts	pg 5
SECTION 7	Voltage Standards and Service Limitations	pg 6
SECTION 8	System Alteration and Conversion	pg 6
SECTION 9	Solar Meter Installations	pg 6
	Meter Base and Accessory Price List	pg 7
	Approved 1 Phase Meter Base Manufacturers and Models	pg 8
	Approved 1 Phase Gang Meter Base Manufacturers and Models	pg 9
	Approved 3 Phase Meter Base Manufacturers and Models	pg 10
	DRAWING SHEETS	
	Typical Meter Socket Connections	pg 11
	Meter Base Checklist	pg 12
	Gang Meter Base Checklist	pg 13
	Disconnect for CT Meter, Installation Details	pg 14
	Temporary Overhead Service Installation	pg 15
	Temporary Overhead Service Installation Option	pg 16
	Overhead Service Mast Installation	pg 17
	Overhead Service Installation	pg 18

Temporary Underground Service Installation	pg 19
Underground Service Installation	pg 20
Underground Service Installation (Optional)	pg 21
320 Amp Underground Service Installation	pg 22
Customer Constructed 3 Phase Transformer Pad 500 kVa and larger	pg 23
Padmount and Underground Equipment Access and Clearances	pg 24
Generator Bypass Switches	pg 25-27

SECTION 1 GENERAL INFORMATION

1. This booklet is issued by Horry Electric Cooperative, Inc. (HEC) as a guide for obtaining and installing electric service. It contains information on the types of electric service available, conditions for service, the standards for material and construction in regards to the Member's service entrance installation.

The standards herein are supplementary to and are not intended to conflict with any applicable City, County or Community Ordinances, The National Electric Safety Code or the National Electrical Code.

HEC welcomes feedback on any information located in this booklet. Any questions or concerns may be directed to HEC employees at 843-369-2211.

- 1.1 The term "Member" when used herein shall mean any person or company applying for, receiving, using or agreeing to take electric service from HEC.
- 1.2 All code requirements should be the most recent requirements set forth in the National Electric Safety Code (NESC) or the National Electric Code (NEC).

SECTION 2 ELECTRICAL SAFETY AND CODE CLEARANCES

2. It is the policy of HEC to operate the Electric Distribution System with the highest degree of care and safety for the public and employees. To ensure the care and safety needed for an Electric

Distribution System, the NESC is used for design, construction, maintenance and operation of the Electric Distribution System by HEC.

- 2.1 HEC shall reserve the right to deny and/or terminate service without prior notice when a hazardous condition exists.
- 2.2 Drawings contained in this booklet serve as a guide to commonly used information and are not meant to contain all information or be applicable in all situations. The current edition of NESC and/or NEC should be consulted for further details.

SECTION 3 METERING

3. Available service voltage
 - A. Single phase 2 wire 120 V
 - B. Single phase 3 wire 120/240 V
 - C. Single phase 3 wire 120/208 V Network
 - D. Single phase 3 wire 240/480 V
 - a. All installations will require an instrument rated meter
 - E. Three phase 4 wire 120/240 V Delta
 - F. Three phase 4 wire 120/208 V Wye
 - G. Three phase 4 wire 277/480 V Wye
- 3.1 All meters, service drops, and other electrical facilities installed by HEC at its expense upon the Member's premises for the purpose of delivering and measuring the electric energy to the Member shall continue to be the property of HEC.
- 3.2 The Member shall maintain, without cost to HEC, sufficient and proper

facilities for the installation of meters and other apparatus at an easily accessible location on or within the premises to be supplied with service, and in accordance with the rules contained herein.

The following details are to be used in conjunction with the drawings.

- A. Above ground conduit on the supply side of the meter shall be 2" schedule 80 PVC, minimum. Galvanized rigid conduit, 2" minimum, is required if the overhead service drop requires physical attachment to the mast. Accessible fittings such as LB's are not permitted.
- B. Where HEC must attach its overhead service wires to a building or other structure, the Member shall provide an attachment device designed for the particular surface and of adequate strength (IE lag, anchor, or other bolt) to support the service wires
- C. All conductors must extend beyond the weather head a minimum of 24".
- D. An overhead service mast must not be enclosed or otherwise concealed at any point other than where it passes through the roof opening.
- E. Service conductors shall be sized according to NEC.

F. Neutral conductors shall be identified white or natural grey, per NEC.

G. The high-leg of a three phase 120/240 V or 240/480 V service shall be identified as orange, per NEC.

H. The grounding electrode conductor, or service ground, must run continuously from the grounding electrode, or ground rod, to the ground lugs within the meter base. If necessary, an additional ground lug is supplied for continuing the ground to a disconnect.

I. A service disconnect is required for each socket location at the initial installation of any multi-gang meter socket.

3.3 Emergency Generators

When an emergency generator is used by the Member, it shall be installed in such manner as to eliminate the possibility of operating in parallel with, or back-feeding into HEC's electrical system.

SECTION 4 METER LOCATIONS AND CLEARANCES

- 4. The locations of meters and metering equipment shall be designated by HEC where they will be readily accessible at all reasonable hours for reading, testing, inspecting and other maintenance purposes. No wiring dependent upon the meter location should be started until the location has been assigned.

- A. Meter sockets shall be plumb and securely fastened to the building wall or structure.
- B. Meter sockets shall be installed four to six feet (4' – 6') above finished grade to the center of the meter.
- C. A minimum of three feet (3') of clear space must be maintained in front of the meter for safe access.
- D. Electric meters shall be located at least three feet (3') horizontally from gas meters and a minimum of (10') from a propane tank of any size.
- E. Meters shall not be installed where they will interfere with traffic, sidewalks, drive ways, or where they will obstruct the opening of doors or windows, or in any location which may be considered hazardous or cause damage to the metering equipment.
- F. Indoor meter installations are not permitted without prior approval from HEC. It may be permitted only when there is a designated room used solely for the purpose of metering and accessible only to qualified personnel.
- G. Where service is supplied to individual Members, within a building designed for multiple occupancy, the individual meters shall be grouped at a point nearest the service drop attachment or service lateral origin on the exterior

of the building at a point designated by HEC.

SECTION 5 METER SOCKETS

- 5. Meter sockets may be purchased from HEC or other supply houses as long as they are on the attached HEC Approved Meter Base List.

5.1 MAINTENANCE AND REPAIR OF METER SOCKETS

With all meter sockets, whether provided by HEC or purchased independently, the maintenance and repair of the meter socket(s) is the sole responsibility of the Member and will require the services of a qualified electrician. HEC must be contacted for the temporary interruption of electric service while repairs are being made. Same day requests will require a same day fee.

5.2 BONDING METER SOCKETS

Service equipment and enclosures could be called on to carry fault currents in the event of a ground fault. For this reason, it is imperative that meter sockets and metal conduits be adequately bonded to neutral and to ground. All bonding shall be done according to the latest edition of the NEC.

5.3 METER SOCKET WIRING

Members shall wire all self-contained meter sockets in accordance with the NEC and the appropriate wiring diagram in the drawings included in this document.

5.4 WIREWAY/TROUGH SYSTEMS

All wireways/troughs must be UL listed and meet or exceed NEMA Enclosure Type 3R. Each access panel of the wireway/trough must have a stainless steel swing latch or hasp every 2ft or less. Horry Electric has the right to deny any wireway/trough system if the structure does not have the means to be properly secured or if it is unfit for the environment.

In wireway/trough systems meters will not be installed until all sockets are permanently mounted and wired.

5.5 CURRENT TRANSFORMER (CT) METERING

A determination will be made by HEC employees on the necessity of a CT application.

5.6 CT's INSTALLATIONS

When member load warrants a CT application, the CT's shall be installed in the secondary compartment of the transformer. In this situation, the member shall provide and install the secondary cable to the secondary compartment of the transformer. A maximum of 16 conductors per phase is allowed in the secondary compartment. Installations requiring more than 8 conductors per phase need prior approval from HEC.

5.7 CT CABINETS

CT cabinets will be furnished by HEC and will be padlocked and sealed by HEC.

5.8 DETACHED (SELF-SUPPORTING) METER MOUNTING

- A. Meter sockets may be mounted on separate self-supporting structures, such as for temporary construction services, and on mobile/modular homes, in accordance with the drawings included in this document. For mobile/modular homes or other overhead residential services, utility grade poles are preferred, or treated 4" x 6" posts set a minimum of 36" deep.
- B. Where the service is to be overhead, the post or pole shall be of sufficient height for NEC clearance and adequately braced in the direction of the service drop.
- C. If two or more sockets are to be mounted, two posts shall be used with cross members of treated 2" x 6" lumber, 1 ¼" decking board or ¾" marine grade plywood, minimum. Cross members shall be spaced appropriately to attach meter sockets and conduit straps.

5.9 MOVING/REMOVING METERS

The member shall not tamper or otherwise interfere with the proper operation of HEC meters or other equipment, or in any way interfere with the proper meter registration of the electric energy used. These are criminal offenses punishable by law. Only authorized HEC employees are permitted to connect, disconnect, move, or remove the meter and/or meter seal.

5.10 MARKING METER SOCKETS

Changes to internal numbering or lettering schemes and incorrect marking of units can cause inaccurate billing of HEC members. When a situation exists, the owner of such premises shall be responsible for correcting the situation as well as payment of any time and material charges HEC may incur during the process of correcting the problem.

In multiple meter installations, meters **will not** be installed until all sockets are permanently and accurately marked.

SECTION 6 MULTI-GANG SERVICES FOR RESIDENTIAL & COMMERCIAL ACCOUNTS

6.1 All job requests must be accompanied by a drawing showing the building layout with the numbering scheme for each floor. A copy will remain on file to be attached to the service order for permanent power. In order to prevent a delay in service connection, this drawing must be an exact match of the actual project.

6.2 A licensed and bonded electrician with complete knowledge of the job must be on site at the time of connection. Strong verbal skills in the English language are a necessity.

6.3 All appointments are scheduled by HEC's System Control Supervisor or their designee. A 30 minute window will be allowed. After that period of time, a \$200 trip charge will be imposed and must be paid before another appointment can be scheduled.

6.4 HEC must be provided access to meters at all times. If the meters are going to be

located in locked meter rooms, a master key must be provided at the time service is connected.

6.5 Meters must be verified individually at the time of installation. The person installing the meter is responsible for verification of each meter and its association with the appropriate panel and unit. This must be done through direct communications between the installer and an individual physically located in the corresponding unit.

6.6 Only meters for units certified for occupancy will be verified in meter centers. As certificates of occupancy are issued for subsequent units, the Cooperative will impose a \$200 trip charge for each additional trip required to verify additional meters in a meter center. The charge will be waived if the request is made by an individual or entity other than the original requestor and it will be treated as a first time trip. All subsequent trips requested by that individual/entity will incur the \$200 trip charge.

6.7 Meter bases and covers will be permanently and legibly marked with non-transferable, UV resistant, 1" high labels. The individual unit to which each meter is assigned must also be permanently and clearly marked at the entrance to the unit.

6.8 Meter testing will be conducted on an individual basis. Pulling and testing multiple meters at the same time is strictly prohibited.

6.9 All multi-gang installations, residential or commercial, must be locked at all times. A meter pulled by owner or an electrician without consent from HEC is prohibited. If two or more meter seals are found to have been removed, cut or broken, this will result in a report filed by HEC and/or will require verification for the entire building.

SECTION 7 VOLTAGE STANDARDS AND SERVICE LIMITATIONS

7.1 Electric service is limited to electric energy supply and distribution facilities available at the time of construction. Available secondary service voltage classifications will depend upon a member's location and proximity to existing facilities within and overhead or underground service area.

7.2 It is not permissible to install fences or heavy landscaping, i.e., permanent structures, large shrubbery, trees, etc., on easements or rights-of-way. In the event an obstruction exists, at the discretion of HEC, the obstruction may be removed immediately or arrangements made to have it removed by the member.

SECTION 8 SYSTEM ALTERATION AND CONVERSION

8.1 All relocations of existing overhead and underground lines and equipment shall be accomplished at the expense of the member initiating the request on a time and material billing basis. The member shall be required to provide all necessary

easements and rights-of-way without cost to HEC.

8.2 Requirements for work performed on time and material basis.

All work performed on a time and material contract shall first be estimated, taking into consideration any contribution-in-aid. The full amount of the estimate shall be paid to HEC prior to the scheduling of work to be performed. The member requesting the conversion shall be responsible for the actual cost of the work and shall be either billed for any additional costs incurred over and above the estimate, or shall be reimbursed the difference between the estimate and the actual cost, whichever may be applicable.

Section 9 SOLAR METER INSTALLATIONS

9.1 Refer to HEC Energy Management or HEC Engineering departments for specifics on solar installations.

Section 10 Generator Bypass Switches

10.1 Refer to the end of this document for specifications on how to install Generator Bypass Switches

HORRY ELECTRIC COOPERATIVE, INC.

A Touchstone Energy® Cooperative
The power of human connections



Meter Base and Accessories List

Effective Date: Monday, June 27, 2016

Page 1 of 1

<u>Inventory ID</u>	<u>Description</u>
11784	135 AMP 1PH UG METER BASE WITH SMALL CLOSING PLATE
11785	135 AMP 1PH OH METER BASE WITH 2" HUB
11786	200 AMP 1PH UG METER BASE WITH SMALL CLOSING PLATE
11787	200 AMP 1PH OH METER BASE WITH 2" HUB
11788	200 AMP 1PH UG BASE STUDS ON LOAD & SMALL PLATE
11789	200 AMP 1 PH OH BASE WITH STUDS ON LOAD & 2" HUB
11790	320AMP 1PH UG METER BASE WITH LARGE CLOSING PLATE
11791	320 AMP 1PH OH METER BASE WITH 4" HUB
11792	400 AMP 1PH UG BASE BOLT-IN WITH LARGE PLATE
11793	400 AMP 1 PH OH METER BASE BOLT-IN WITH 4" HUB
11794	200 AMP 3PH OH METER BASE WITH 2.5" HUB
11795	200 AMP 3 PH UG BASE WITH SMALL CLOSING PLATE
11796	200 AMP 3 PH UG BASE WITH LARGE CLOSING PLATE
11797	200 AMP 3 PH OH BASE WITH 3" HUB
11798	200AMP 3 PH UG BASE STUDS ON LOAD SIDE SMALL PLATE
11799	200 AMP 3 PH OH BASE STUDS ON LOAD & 4" HUB
11800	320AMP 3PH UG BASE STUDS ON LOAD/SOURCE LARGE PLAT
11801	320AMP 3PH OH BASE STUDS ON SOURCE/LOAD 4" HUB
11802	480AMP 3PH UG BASE BOLT-IN WITH 2 LARGE CLOSING PL
11803	480 AMP 3 PH OH BASE BOLT-IN WITH 4" HUB
11804	480 AMP 3 PH OH BASE BOLT-IN WITH (2) 4" HUBS
11805	200 AMP 1 PH 2 POSITION GANG BASE
11806	200 AMP 1 PH 3 POSITION GANG BASE
11807	200 AMP 1 PH 4 POSITION GANG BASE
11808	200 AMP 1 PH 5 POSITION GANG BASE
11809	200 AMP 1 PH 6 POSITION GANG BASE
11810	350 MCM 2-HOLE CONNECTOR
11811	300 MCM 2-HOLE PANELBOARD CONNECTOR
11812	500 MCM 2-HOLE CONNECTOR
11813	600 MCM 2-HOLE CONNECTOR
11814	800 MCM 2-HOLE CONNECTOR
11815	250 MCM 3-HOLE CONNECTOR
11816	350 MCM 4-HOLE CONNECTOR

All meter bases connected to the Horry Electric Cooperative system must meet certain specifications in order for power to be connected. This price list is for the established standard meter base and accessories stocked by Horry Electric Cooperative. A separate list of manufacturers and models determined to be acceptable is available. Please visit www.horryelectric.com for the most up-to-date price list.

Horry Electric Cooperative, P.O. Box 119, Conway, SC 29528

HORRY ELECTRIC COOPERATIVE, INC.

A Touchstone Energy[®] Cooperative 
The power of human connections

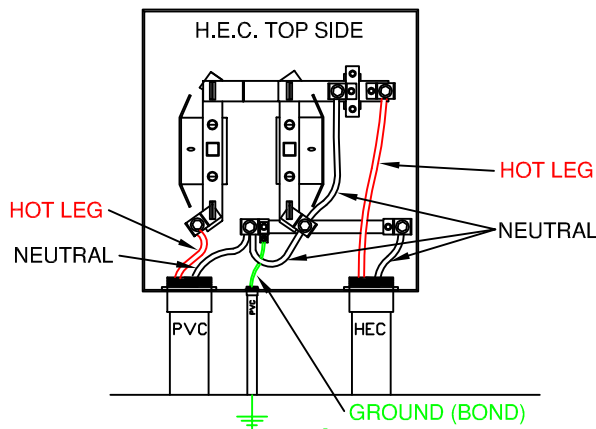
Approved Meter Base List

1 Phase Meter Sockets	Culter Hammer/Eaton	Milbank	Siemens/Talon	Durham/Square D
125 amp, with lay-in type lugs	UTRS111BCH UTRS101BCH	U7487-RL-QG-CAPL	UAT 111-0JCA	UHT-RS101B
200 amp, with lay-in type lugs	U92197CCCPLCH	U1980-XLT-QG-CAPL U3850-XL-TG-HSP-PL U1980-O-HSP U1980-XL	UAS 917-XJCA UAT777-XG UAS877-PGF	T-RS233C
200 amp, with lay-in type lugs on line side, 3/8" studs on load side	N/A	N/A	UAS 917-OGLE	N/A
400 amp Bolt-in, type K-4, with 1/2" studs on line and load side	CH8416K4 CH9507K4	S4664-X-8416 U4664-XT-9507	9809-8416 9810-9507	N/A N/A
320 amp, with lever bypass, 3/8" studs on line and load side	UTH4300UCH UTH4300TCH UTH4300TFLCH	U1129-RXL U5740-X-K3L-K2L-CAPL U4367-X-K3L-K2L U6273-X-HSP	47604-82 47604-02	T-H 4300U

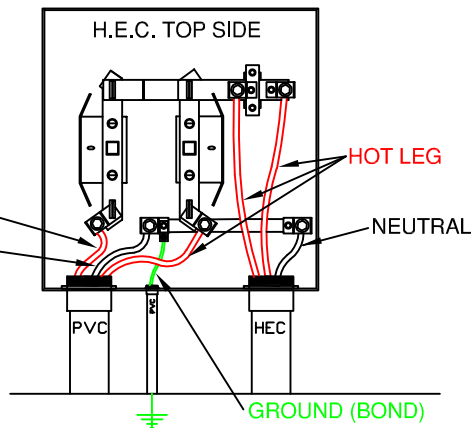
1 Phase Gang Sockets	Culter Hammer/Eaton	Milbank	Siemens/Talon	Durham/Square D
2 position, with lay-in type lugs, 200amps/position, 200 amps overall ampacity	UT2R2332TCH	U1252-X-K1-CAPL	UA2717-YJCA	T-2R2332U
3 position, with lay-in type lugs, 200 amps/position, 270 amps overall ampacity	UT3R2332TCH	U1253-X-K1-CAPL	UA3717-YJCA	T-3R2332U
4 position, with lay-in type lugs, 200 amps/position, 360 amps overall ampacity	UT4R2352TCH	U1254-X-K1-CAPL	UA 4719-YJCA	T-4R2352U
5 position, with lay-in type lugs, 200 amps/position, 450 amps overall ampacity	UT5R2392TTCH	U1255-X-K1-CAPL	UA5719-KJCA	T-5R2392U
6 position, with lay-in type lugs, 200 amps/position, 528 amps overall ampacity	UT6R2392TTCH	U1256-X-K1-CAPL	UA6719-KJCA	T-6R2392U

3 Phase meter sockets	Culter Hammer/Eaton	Milbank	Siemens/Talon	Durham/Square D
200 amp, with lever bypass, lay-in type lugs on line & load side	UTH7213TCH UTH7213UCH UTE7213UFLCH	U7423-RXL U4701-RXL U9701-X-QG-HSP	40407-025 40407-025F	T-H 7213V
200 amp, with lever bypass, 3/8" studs on line & load side	UTH7210UCH	U 9761-RRL	47607-01FL	UT-H7230Z
320 amp, with lever bypass, 3/8" studs on line & load side	UTH7330UCH UTH7300TFLCH	U 2120-X U2594-X U3566-X-HSP	47407-02 49007-02FL	T-H 7330U
480 amp bolt-in, type K-7T, with 1/2" studs on line and load side	CH9504K7	UA4667-XT-9504	9817-9504	N/A

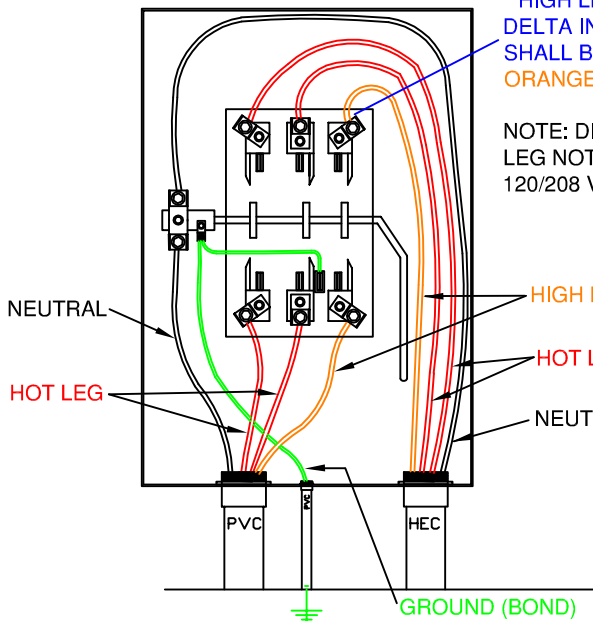
110 VOLT SERVICE
2 WIRE
200 AMP BASE



120/240 VOLT SERVICE
3 WIRE
200 AMP BASE



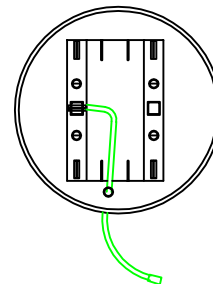
3 PHASE METER
4 WIRE
200 AMP BASE



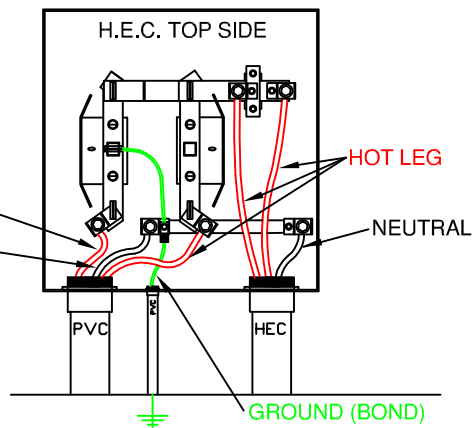
* HIGH LEG ON
DELTA INSTALLATION
SHALL BE MARKED
ORANGE(NEC 110.15)

NOTE: DISREGARD HIGH
LEG NOTE FOR 277/480 &
120/208 VOLT SERVICES.

2S SOCKET TO
12S METER ADAPTER
200&320 AMP BASE
INSTALLED BY HEC



NETWORK METER
(120/208 VOLT)
3 WIRE
200 AMP BASE



NOTES:

1. THIS LEG IS REQUIRED BY THE NATIONAL ELECTRIC CODE TO BE IDENTIFIED ORANGE AND IN THE CENTER TERMINAL POSITION IN ALL OTHER ENCLOSURES, IE. SWITCHGEAR, MAIN PANELS, ETC. (NEC 408.2(E))

2. SINGLE PHASE 3 WIRE 240/480 V SERVICE INSTALLATIONS WILL REQUIRE AN INSTRUMENT RATED METER.

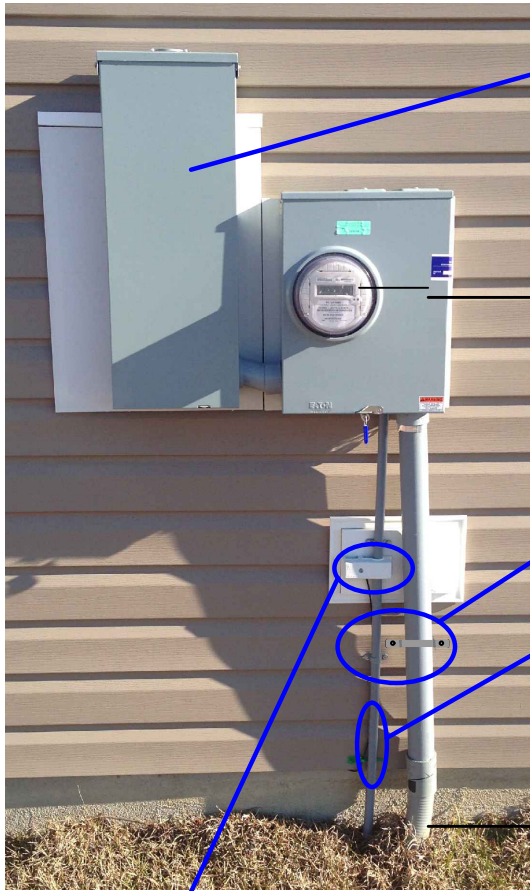
HORRY ELECTRIC COOPERATIVE, INC.

TYPICAL METER SOCKET CONNECTIONS

REVISED

AUG 2016

CORRECT



DISCONNECT INSTALLED ON THE LOAD SIDE OF METER BASE

72" MAX TO 48" MIN

2 HOLE STRAPS INSTALLED

GROUNDING WIRE IN CONDUIT

GROUNDING BLOCK
PLEASE SEE YOU LOCAL CODE ENFORCEMENT

WRONG



DISCONNECT IS ON THE WRONG SIDE OF METER BASE

STUBDOWN IS OUT OF THE WRONG SIDE OF METER BASE



- Only a **Horry Electric Meter Base** or a meter base from **Horry Electric approved List**. Horry Electric will **Not** accept a **unibase**.
- Horry Electric will **NOT** allow a Main Disconnect or a Generator Bypass Switch/Panel to be mounted on the source side of the meter base. (Mount the main disconnect or Generator Bypass Switch/Panel on the same side as the meter socket.)
- If there is a need for **2 Disconnects**, Horry Electric will require you to use a 320 Amp Meter Base (see approved list).
- All services must have a stub-down conduit. Do **NOT** use the knockout hole under the meter socket. Stub-down must be at least a 2" conduit (may need a larger stub-down conduit if Horry Electric requires it.)
- All stub-downs **MUST** have at least one **Conduit Strap (TWO HOLE)** installed prior to scheduling the work to be done.
- All services **MUST** have their own independent ground rod. This ground rod **MUST** be within 2' of the service.
- Grounding conductor **MUST** come directly out of the meter base straight down to the grounding rod. This grounding conductor **MUST** be in conduit. (Refer to NEC for size)

*Note: This Handout is only intended to Supplement the Horry Electric Specifications Book.

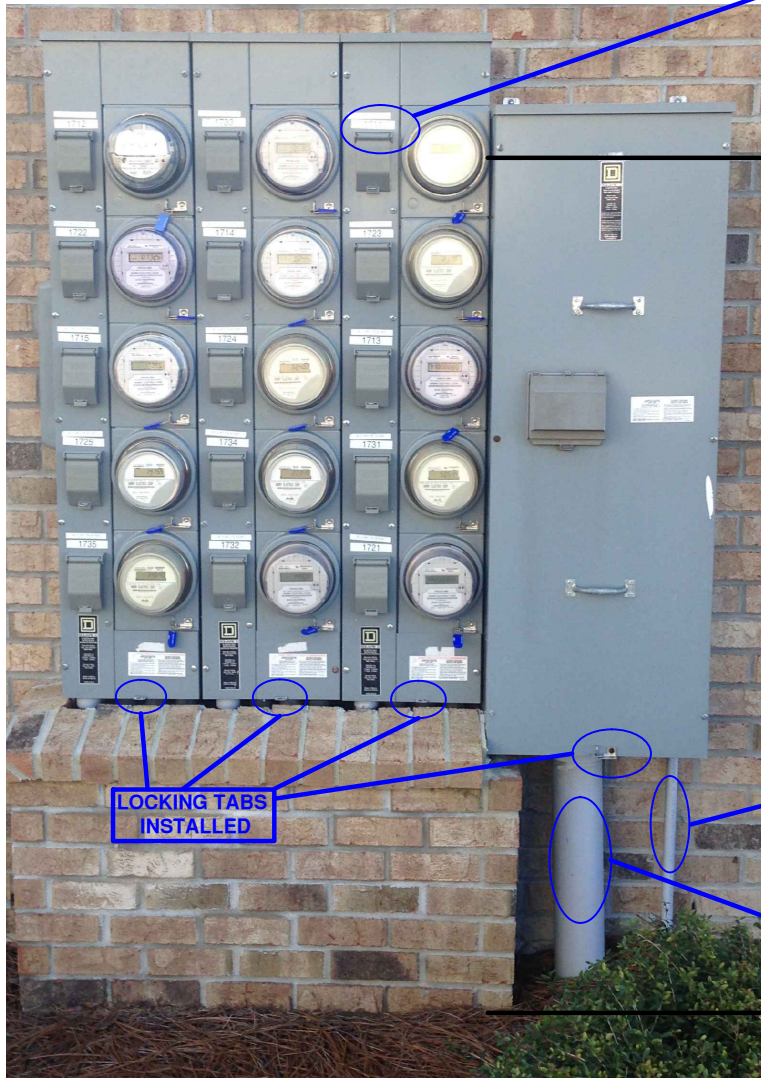
HORRY ELECTRIC COOPERATIVE, INC.

METER BASE CHECKLIST



REVISED

JAN 2022



UNIT LETTER OR NUMBER MUST MATCH UNIT LETTER OR NUMBER ON FRONT DOOR OF UNIT



IF THE MIDDLE OF THE TOP METER SOCKET WILL EXCEED 72" MAX HEIGHT FROM THE GROUND, THEN A PERMANENT CONCRETE PLATFORM WILL BE REQUIRED UNDER THE METER PORTION TO MEET THIS 72" REQUIREMENT.

ALL LABELING MUST BE UV RESISTANT, STICK-ON TYPE, NON-TRANSFERRABLE AND AT LEAST 1" HIGH.

LOCKING TABS INSTALLED

GROUND WIRE (IN CONDUIT)

CONDUIT MUST BE INSTILLED



- Only a **Horry Electric Meter Base** or a meter base from **Horry Electric approved List**.
- The top meter socket will not exceed 72" max height from finished grade. If the heighth will exceed 72" then a permanent concrete platform will be required to meet the 72" requirement before any meter can be installed.
- All removable lids must have locking tabs installed.
- All meter sockets must be labeled to match the address on the front door of the unit.
- The member will be responsible for supplying the pipe and wire for all services with 7 or more meters.
- All stub-downs **MUST** be installed prior to scheduling the work to be done.
- All services **MUST** have their own independent ground rod. This ground rod **MUST** be within 2' of the service.
- Grounding conductor **MUST** come directly out of the main disconnect straight down to the grounding rod. This grounding conductor **MUST** be Copper and in conduit.

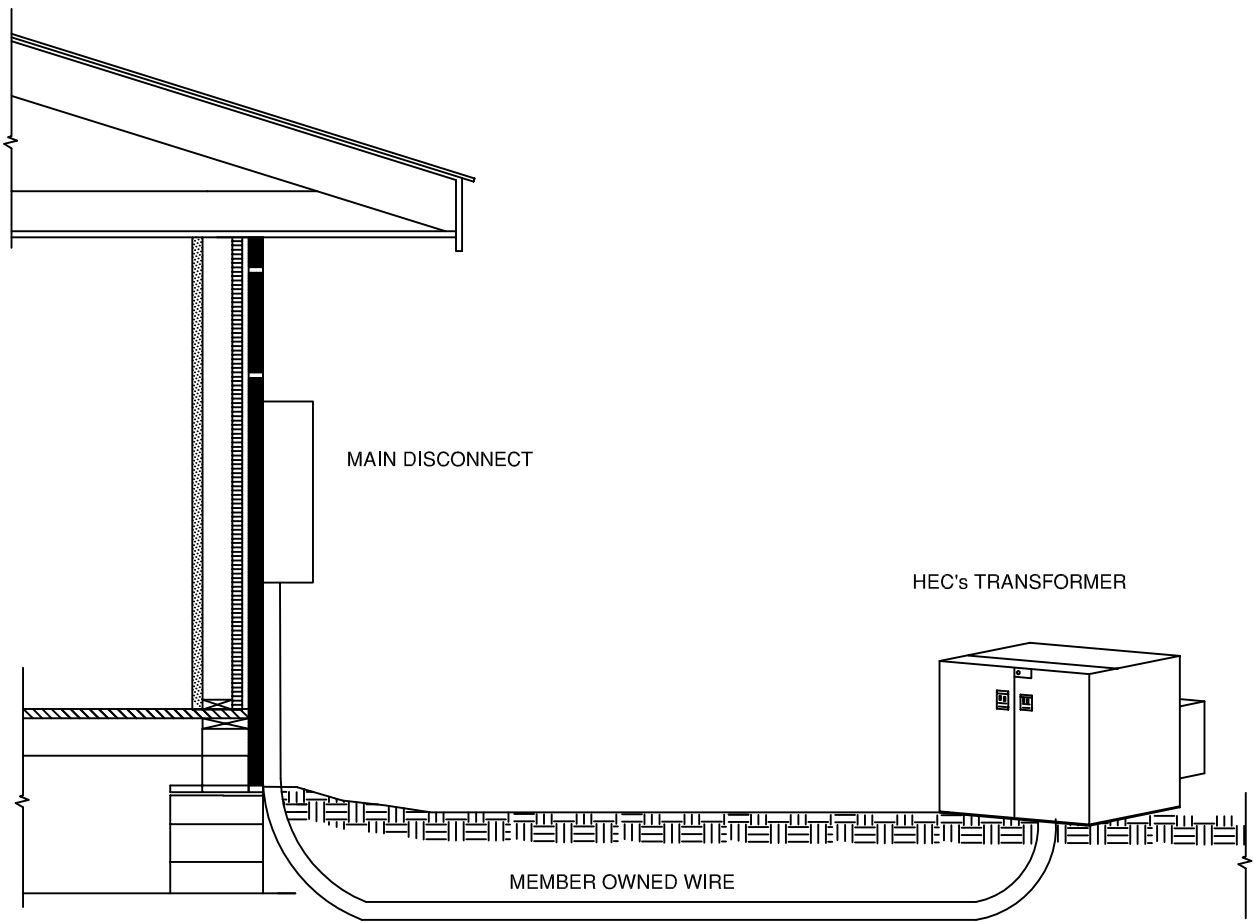
*Note: This Handout is only intended to Supplement the Horry Electric Meter Specification Book.

HORRY ELECTRIC COOPERATIVE, INC.

GANG METER BASE CHECKLIST



REVISED		
JAN 2022		



NOTES:

1. HORRY ELECTRIC WILL REQUIRE A CT METER FOR ANY SERVICE OVER 400 AMPS OR 75 KVA AND UP.
2. THE MEMBER WILL SUPPLY WIRE AND CONDUIT TO ALL 1 PHASE SERVICES REQUIRING A CT METER.
3. THE MEMBER WILL SUPPLY WIRE AND CONDUIT TO ALL 3 PHASE COMMERCIAL INSTALLATIONS.
4. IF A CT METER IS REQUIRED, HORRY ELECTRIC WILL REQUIRE A MAIN DISCONNECT ON THE OUTSIDE OF THE BUILDING BEING SERVED.
5. A SHUNT TRIP BREAKER WILL BE ALLOWED PENDING APPROVAL FROM HEC.
6. IF THE SERVICE REQUIRES A 500 KVA OR LARGER, THE MEMBER WILL BE RESPONSIBLE FOR THE INSTALLATION AND COST OF THE CONCRETE TRANSFORMER PAD. BUILT TO HEC's SPECIFICATIONS. SEE 3 PHASE PAD DRAWINGS.
7. **ANY EXCEPTIONS TO THE REQUIREMENTS LISTED ABOVE MUST HAVE PRIOR WRITTEN APPROVAL FROM HORRY ELECTRIC COOPERATIVE, INC.**

HORRY ELECTRIC COOPERATIVE, INC.

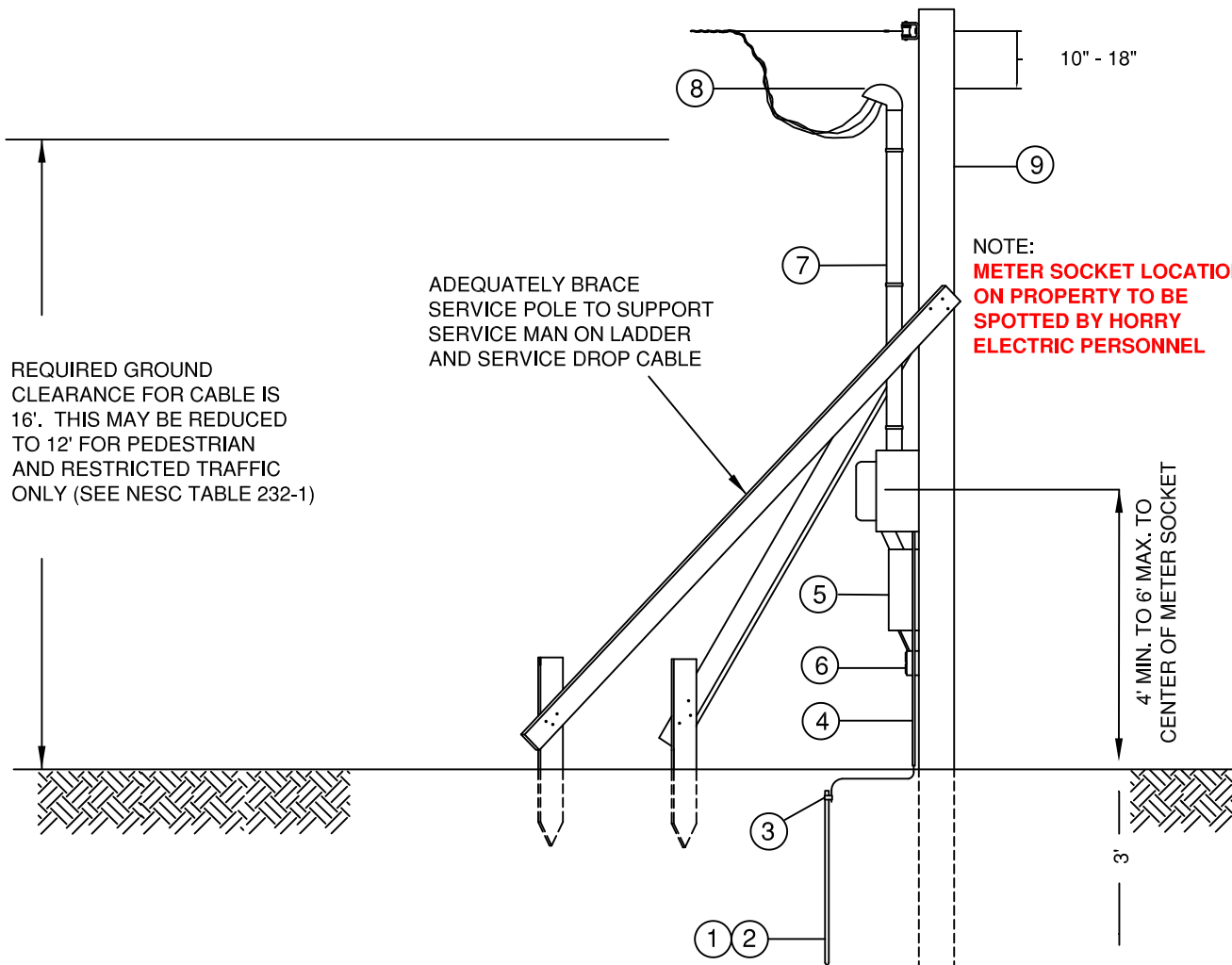
DISCONNECT FOR CT METER

INSTALLATION DETAILS

REVISED

AUG 2016





REQUIRED GROUND CLEARANCE FOR CABLE IS 16'. THIS MAY BE REDUCED TO 12' FOR PEDESTRIAN AND RESTRICTED TRAFFIC ONLY (SEE NESC TABLE 232-1)

ADEQUATELY BRACE SERVICE POLE TO SUPPORT SERVICE MAN ON LADDER AND SERVICE DROP CABLE

NOTE: METER SOCKET LOCATION ON PROPERTY TO BE SPOTTED BY HORRY ELECTRIC PERSONNEL

MATERIALS:

1. GROUND ROD, MUST BE WITHIN 2' AND BURIED BELOW FINISHED GRADE (REFER TO NEC FOR SIZE).
2. AN INDEPENDENT GROUND ROD IS REQUIRED FOR EACH SERVICE.
3. GROUND ROD CLAMP. UL APPROVED
4. GROUNDING ELECTRODE CONDUCTOR **IN CONDUIT**. (REFER TO NEC FOR SIZE)
5. OVERCURRENT DEVICE APPROVED FOR LOCATION.
6. RECEPTACLES APPROVED FOR LOCATION, GFCI PROTECTION PER NEC.
7. SERVICE MAST, PVC, SCHEDULE 80 (PER LOCAL JURISDICTION).
*IF SERVICE CONDUCTOR IS ATTACHED TO SERVICE MAST, RIGID CONDUIT IS REQUIRED AND MUST BE PROPERLY ATTACHED ACCORDING TO NEC.
8. WEATHERHEAD UL APPROVED.
9. POST, TREATED 4" X 4" OF SUFFICIENT HEIGHT FOR NEC GROUND CLEARANCE.

NOTES:

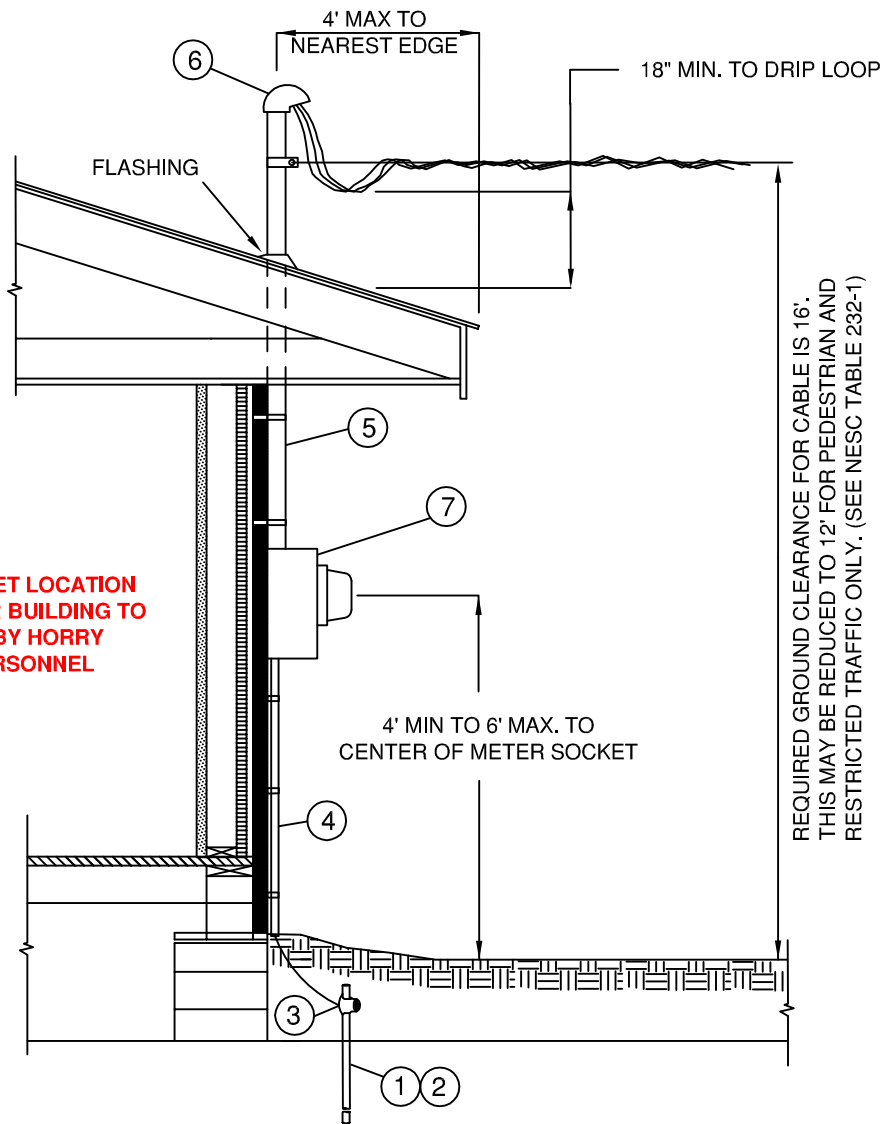
- A. ALL CONDUIT CONNECTIONS SHALL BE TIGHT.
- B. ALL CONDUIT AND SOCKET MOUNTING HARDWARE AND FITTINGS SHALL BE GALVANIZED OR OTHERWISE NONCORROSIVE. 2 HOLE STRAPS ARE REQUIRED FOR ALL CONDUIT.
- C. **ANY EXCEPTIONS TO THE ABOVE MUST HAVE HORRY ELECTRIC APPROVAL.**

HORRY ELECTRIC COOPERATIVE, INC.

TEMPORARY O.H. SERVICE INSTALLATION



REVISED		
AUG 2016		



NOTE:
METER SOCKET LOCATION
ON HOUSE OR BUILDING TO
BE SPOTTED BY HORRY
ELECTRIC PERSONNEL

REQUIRED GROUND CLEARANCE FOR CABLE IS 16'.
 THIS MAY BE REDUCED TO 12' FOR PEDESTRIAN AND
 RESTRICTED TRAFFIC ONLY. (SEE NESC TABLE 232-1)

MATERIALS:

1. GROUND ROD MUST BE WITHIN 2' OF SERVICE AND BURIED BELOW FINISHED GRADE. (REFER TO NEC FOR SIZE)
2. AN INDEPENDENT GROUND ROD IS REQUIRED FOR EACH SERVICE.
3. GROUND ROD CLAMP SHALL BE UL APPROVED.
4. GROUNDING ELECTRODE CONDUCTOR SHALL BE IN CONDUIT. (REFER TO NEC FOR SIZE)
5. SERVICE MAST SIZE SHALL BE 2" MIN. GALVANIZED RIGID CONDUIT OF SUFFICIENT HEIGHT FOR NESC GROUND CLEARANCE. CONDUIT SHALL NOT BE ENCLOSED OR OTHERWISE CONCEALED AT ANY POINT OTHER THAN THE ROOFLINE. SERVICE ENTRANCE CABLE IS NOT ACCEPTABLE.
6. WEATHERHEAD MUST BE UL APPROVED.
7. METER SOCKETS, USE HORRY ELECTRIC METER BASES OR AN HORRY ELECTRIC APPROVED METER BASE ONLY. SEE HEC APPROVED METER BASE LIST.

NOTES:

1. ALL CONDUIT CONNECTIONS SHALL BE TIGHT.
2. ALL CONDUIT, SOCKET MOUNTING HARDWARE, AND FITTINGS SHALL BE GALVANIZED, STAINLESS, OR OTHERWISE NONCORROSIVE. PLASTIC/PVC NOT PERMITTED.
3. 2-HOLE STRAPS ARE REQUIRED ON ALL CONDUIT.
4. CONDUIT COUPLINGS IN SERVICE MAST SHALL NOT BE INSTALLED ABOVE THE ROOFLINE.
5. SERVICE DROP SHALL NOT PASS ALONG OR OVER ANY PORTION OF THE ROOF IN ANY DIRECTION FOR MORE THAN SIX FEET, MEASURED HORIZONTALLY.
6. ANY EXCEPTIONS TO THE REQUIREMENTS LISTED ABOVE MUST HAVE PRIOR WRITTEN APPROVAL FROM HORRY ELECTRIC COOPERATIVE.

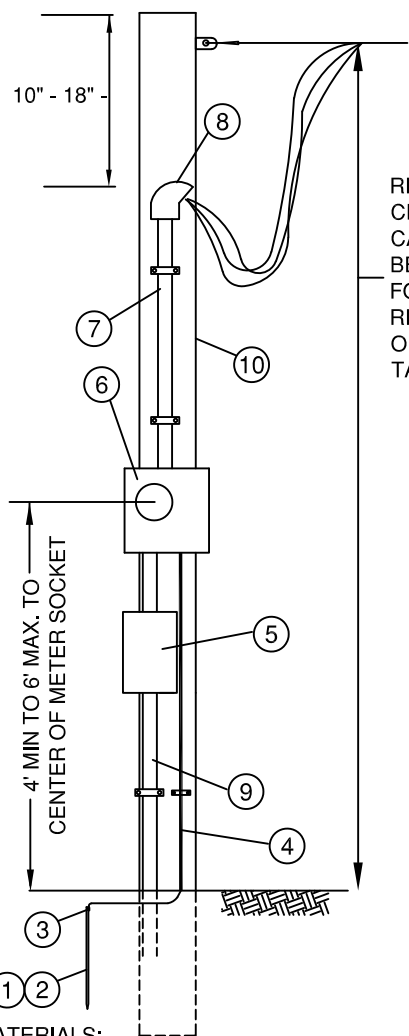
HORRY ELECTRIC COOPERATIVE, INC.

OVERHEAD SERVICE MAST INSTALLATION

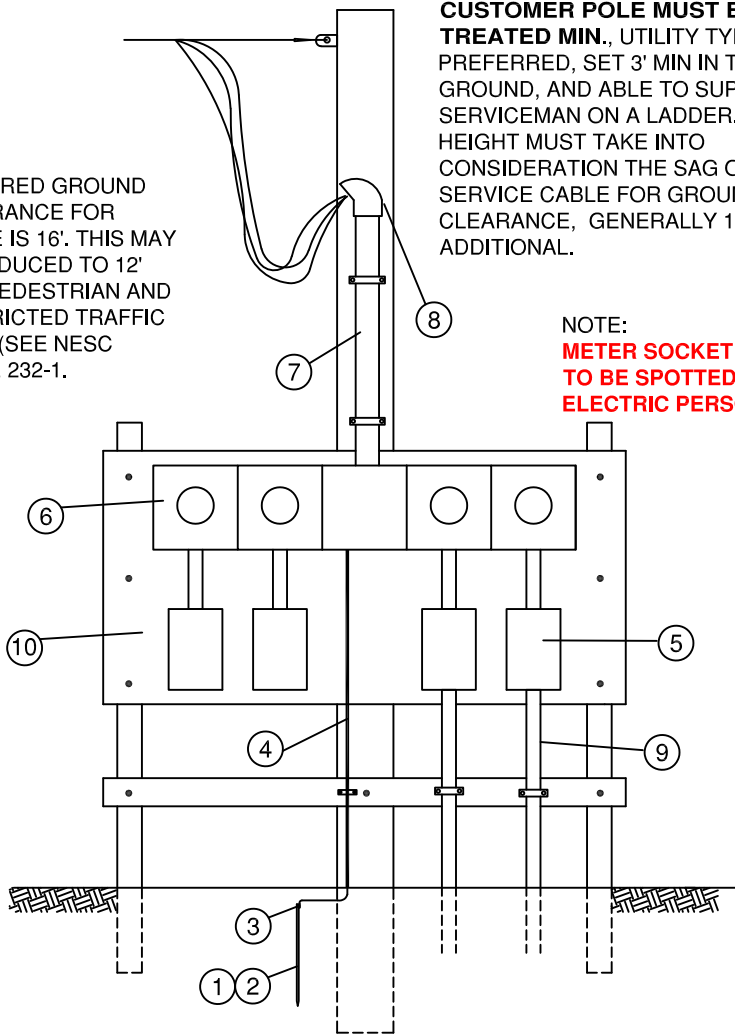
REVISED

AUG 2016





REQUIRED GROUND CLEARANCE FOR CABLE IS 16'. THIS MAY BE REDUCED TO 12' FOR PEDESTRIAN AND RESTRICTED TRAFFIC ONLY (SEE NESC TABLE 232-1.



CUSTOMER POLE MUST BE 4" X 6" TREATED MIN., UTILITY TYPE POLE IS PREFERRED, SET 3' MIN IN THE GROUND, AND ABLE TO SUPPORT A SERVICEMAN ON A LADDER. POLE HEIGHT MUST TAKE INTO CONSIDERATION THE SAG OF THE SERVICE CABLE FOR GROUND CLEARANCE, GENERALLY 1'-2' ADDITIONAL.

NOTE: METER SOCKET LOCATION TO BE SPOTTED BY HORRY ELECTRIC PERSONNEL

MATERIALS:

1. GROUND ROD, MUST BE WITHIN 2' OF SERVICE AND BURIED BELOW FINISH GRADE. (REFER TO NEC FOR SIZE)
2. INDEPENDENT GROUND ROD IS REQUIRED FOR EACH SERVICE.
3. GROUND ROD CLAMP, UL APPROVED.
4. GROUNDING ELECTRODE CONDUCTOR **IN CONDUIT**. (REFER TO NEC FOR SIZE)
5. SERVICE DISCONNECT, AS REQUIRED, AND APPROVED FOR LOCATIONS. FOR A SINGLE INSTALLATION, THE DISCONNECT SHALL BE INSTALLED EITHER BELOW OR TO THE LOAD OF THE METER BASE ONLY. INSTALLATION OF THE DISCONNECT ON HEC'S SIDE OF THE METER BASE WILL NOT BE PERMITTED. A SERVICE DISCONNECT IS REQUIRED FOR EACH SOCKET AT INITIAL INSTALLATION OF ANY MULTI-GANG METER SOCKET.
6. METER SOCKETS, USE HORRY ELECTRIC METER BASES OR AN HORRY ELECTRIC APPROVED METER BASE ONLY. SEE HEC APPROVED METER BASE LIST.
EACH METER SOCKET SHALL PERMANENTLY AND ACCURATELY IDENTIFY THE UNIT BEING SERVED.
7. SERVICE MAST, SIZE 2" (MIN) SCHEDULE 80 PVC (PER LOCAL JURISDICTION) OR GALVANIZED RIGID CONDUIT OF SUFFICIENT HEIGHT FOR NESC GROUND CLEARANCE. CONDUIT SHALL NOT BE ENCLOSED OR OTHERWISE CONCEALED AT ANY POINT OTHER THAN THE ROOF LINE. SERVICE ENTRANCE CABLE IS NOT ACCEPTABLE.
8. WEATHERHEAD, UL APPROVED.
9. REFER TO NEC FOR WIRE AND CONDUIT SIZE
10. ADEQUATE WEATHERPROOF STRUCTURE TO SUPPORT METER INSTALLATION.

NOTES:

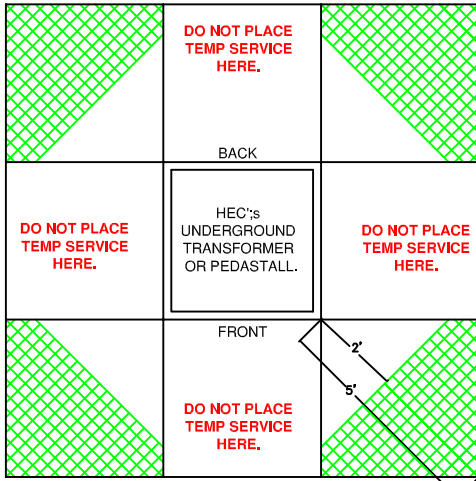
- A. ALL CONDUIT CONNECTIONS SHALL BE TIGHT.
- B. ALL CONDUIT AND SOCKET MOUNTING HARDWARE AND FITTINGS SHALL BE GALVANIZED OR OTHERWISE NONCORROSIVE
2-HOLE STRAPS ARE REQUIRED ON ALL CONDUIT.
- C. **ANY EXCEPTIONS TO THE ABOVE MUST HAVE PRIOR WRITTEN APPROVAL FROM HORRY ELECTRIC COOPERATIVE, INC.**
(EX. IF IN A FLOOD ZONE HEC'S STAKING TECH WILL DECIDE THE HEIGHT.)

HORRY ELECTRIC COOPERATIVE, INC.

OVERHEAD SERVICE INSTALLATION



REVISED
AUG 2016

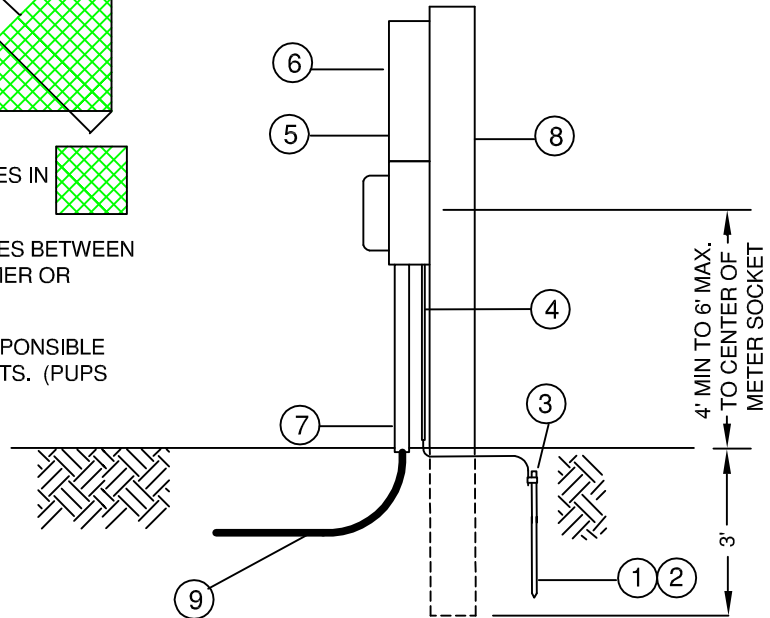


**NOTE:
METER SOCKET LOCATION
TO BE SPOTTED BY HORRY
ELECTRIC PERSONNEL**

PLACE ALL TEMPORARY SERVICES IN THESE LOCATIONS.

PLACE ALL TEMPORARY SERVICES BETWEEN 2' AND 5' FROM THE TRANSFORMER OR PEDESTAL.

THE MEMBER/INSTALLER IS RESPONSIBLE FOR THEIR OWN LOCATE TICKETS. (PUPS TICKETS)



SERVICE MUST BE WITHIN 2 TO 5 FEET OF HEC TRANSFORMER/PEDESTAL .

MATERIALS

1. GROUND ROD, MUST BE WITHIN 2' OF THE SERVICE, AND BURIED BELOW FINISHED GRADE. (REFER TO NEC FOR SIZE)
2. AN INDEPENDENT GROUND ROD IS REQUIRED FOR EACH SERVICE.
3. GROUND ROD CLAMP. UL APPROVED.
4. GROUNDING ELECTRODE CONDUCTOR IN CONDUIT (REFER TO NEC FOR SIZE).
5. OVERCURRENT DEVICE APPROVED FOR LOCATION.
6. RECEPTACLES APPROVED FOR LOCATION, GFCI PROTECTION PER NESC.
7. PVC CONDUIT, SCHEDULE 80 (PER LOCAL JURISDICTION).
8. POST, TREATED 4" X 4" OF SUFFICIENT HEIGHT FOR NEC GROUND CLEARANCE.
9. SERVICE CABLE TO BE FURNISHED AND INSTALLED BY MEMBER AND OF SUFFICIENT LENGTH TO ATTACH TO HEC TRANSFORMER/PEDESTAL.

NOTES

- A. ALL CONDUIT CONNECTIONS SHALL BE TIGHT.
- B. ALL CONDUIT AND SOCKET MOUNTING HARDWARE AND FITTINGS SHALL BE GALVANIZED OR OTHERWISE NONCORROSIVE. 2 HOLE STRAPS ARE REQUIRED FOR ALL CONDUIT.
- C. ANY EXCEPTIONS TO THE ABOVE MUST HAVE PRIOR WRITTEN APPROVAL FROM HORRY ELECTRIC COOPERATIVE, INC.

HORRY ELECTRIC COOPERATIVE, INC.

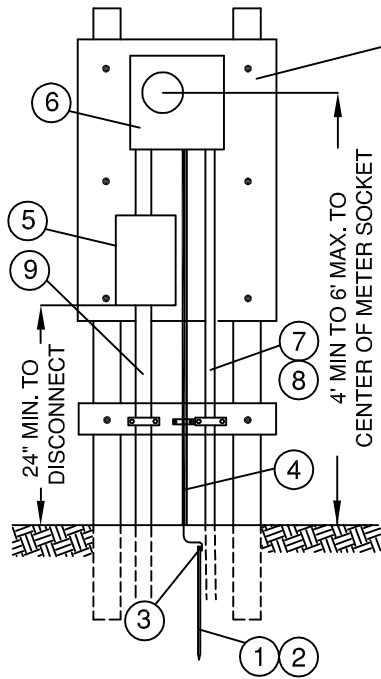
TEMPORARY UNDERGROUND
SERVICE INSTALLATION

REVISED

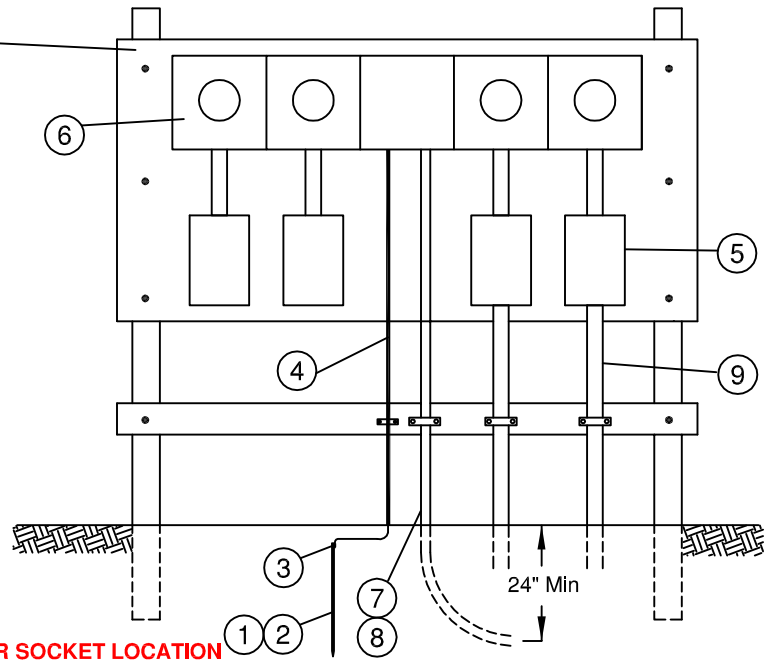
AUG 2016



SINGLE INSTALLATION



MULTIPLE INSTALLATION 2 THROUGH 6 GANG



NOTE:
**METER SOCKET LOCATION
TO BE SPOTTED BY HORRY
ELECTRIC PERSONNEL**

MATERIALS:

1. GROUND ROD MUST BE WITHIN 2' OF THE SERVICE AND BURIED BELOW FINISH GRADE. (REFER TO NEC FOR SIZE)
2. INDEPENDENT GROUND ROD REQUIRED FOR EACH SERVICE.
3. GROUND ROD CLAMP, UL APPROVED.
4. GROUNDING ELECTRODE CONDUCTOR **IN CONDUIT**. (REFER TO NEC FOR SIZE)
5. SERVICE DISCONNECT, AS REQUIRED, AND APPROVED FOR LOCATIONS. FOR A SINGLE INSTALLATION, THE DISCONNECT SHALL BE INSTALLED EITHER BELOW OR TO THE LOAD OF THE METER BASE ONLY. INSTALLATION OF THE DISCONNECT ON HEC'S SIDE OF THE METER BASE WILL NOT BE PERMITTED. A SERVICE DISCONNECT IS REQUIRED FOR EACH SOCKET AT INITIAL INSTALLATION OF ANY MULTI-GANG METER SOCKET.
6. METER SOCKETS, USE HORRY ELECTRIC METER BASES OR AN HORRY ELECTRIC APPROVED METER BASE ONLY. SEE HEC APPROVED METER BASE LIST.
EACH METER SOCKET SHALL BE PERMANENTLY AND ACCURATELY IDENTIFY THE UNIT BEING SERVED.
7. CONDUIT, PVC, SCHEDULE 80; (PER LOCAL JURISDICTION) 2" REQUIRED FOR SINGLE SOCKET, 3" REQUIRED FOR 2 THROUGH 4 GANG SOCKETS AND 4" REQUIRED FOR 5 AND 6 GANG SOCKETS.
8. PVC, SIZED ACCORDINGLY FOR SERVICE LATERAL.
9. REFER TO NEC FOR WIRE AND CONDUIT SIZE.
10. ADEQUATE WEATHERPROOF STRUCTURE TO SUPPORT METER INSTALLATION.

NOTES:

- A. ALL CONDUIT CONNECTIONS SHALL BE TIGHT.
- B. ALL CONDUIT AND SOCKET MOUNTING HARDWARE AND FITTINGS SHALL BE GALVANIZED OR OTHERWISE NONCORROSIVE. 2-HOLE STRAPS ARE REQUIRED ON ALL CONDUIT.
- C. THE MEMBER WILL SUPPLY WIRE AND CONDUIT TO ALL SERVICES 7 GANG OR LARGER.
THIS WILL GO FOR 1 PHASE AND 3 PHASE SERVICES
- D. **ANY EXCEPTIONS TO THE ABOVE MUST HAVE PRIOR WRITTEN APPROVAL FROM HORRY ELECTRIC COOPERATIVE, INC.**
(EX. IF IN A FLOOD ZONE HEC'S STAKING TECH WILL DECIDE THE HEIGHT.)

HORRY ELECTRIC COOPERATIVE, INC.

UNDERGROUND SERVICE INSTALLATIONS

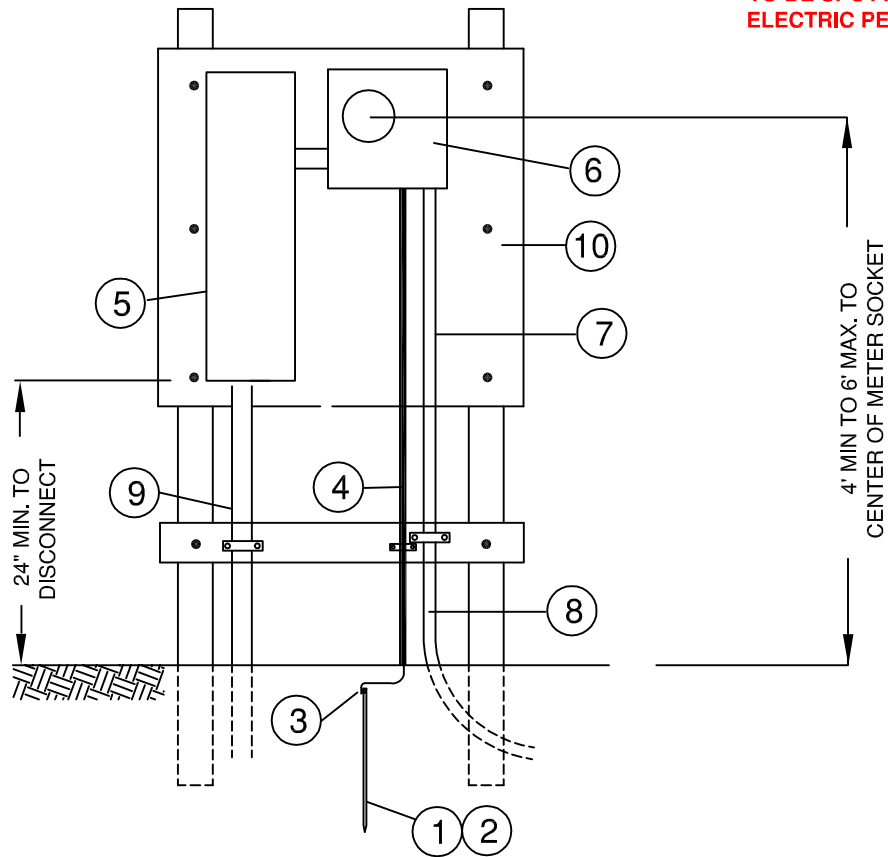
REVISED

AUG 2016



OPTIONAL UNDERGROUND INSTALLATION FOR MOBILE HOMES OR OTHER RESIDENCES

**NOTE:
METER SOCKET LOCATION
TO BE SPOTTED BY HORRY
ELECTRIC PERSONNEL**



MATERIALS:

1. GROUND ROD MUST BE WITHIN 2' OF THE SERVICE AND BURIED BELOW FINISH GRADE. (REFER TO NEC FOR SIZE)
2. AN INDEPENDENT GROUND ROD IS REQUIRED FOR EACH SERVICE.
3. GROUND ROD CLAMP, UL APPROVED.
4. GROUNDING ELECTRODE CONDUCTOR **IN CONDUIT**.(REFER TO NEC FOR SIZE)
5. SERVICE DISCONNECT, AS REQUIRED , AND APPROVED FOR LOCATIONS. FOR A SINGLE INSTALLATION, THE DISCONNECT SHALL BE INSTALLED EITHER BELOW OR TO THE LOAD SIDE OF THE METER BASE ONLY. INSTALLATION OF THE DISCONNECT ON HEC'S SIDE OF THE METER BASE WILL **NOT** BE PERMITTED.
6. METER SOCKETS, USE HORRY ELECTRIC METER BASES OR AN HORRY ELECTRIC APPROVED METER BASE ONLY. SEE HEC APPROVED METER BASE LIST.
7. CONDUIT, PVC, SCHEDULE 80; (PER LOCAL JURISDICTION)
8. PVC, SIZED ACCORDINGLY FOR SERVICE LATERAL.
9. REFER TO NEC FOR WIRE AND CONDUIT SIZE
10. ADEQUATE WEATHERPROOF STRUCTURE TO SUPPORT METER INSTALLATION.

NOTES:

- A. ALL CONDUIT CONNECTIONS SHALL BE TIGHT.
- B. ALL CONDUIT AND SOCKET MOUNTING HARDWARE AND FITTINGS SHALL BE GALVANIZED OR OTHERWISE NONCORROSIVE. 2-HOLE STRAPS ARE REQUIRED ON ALL CONDUIT.
- C. **ANY EXCEPTIONS TO THE ABOVE MUST HAVE PRIOR WRITTEN APPROVAL FROM HORRY ELECTRIC COOPERATIVE, INC.** (EX. IF IN A FLOOD ZONE HEC'S STAKING TECH WILL DECIDE THE HEIGHT.)

HORRY ELECTRIC COOPERATIVE, INC.

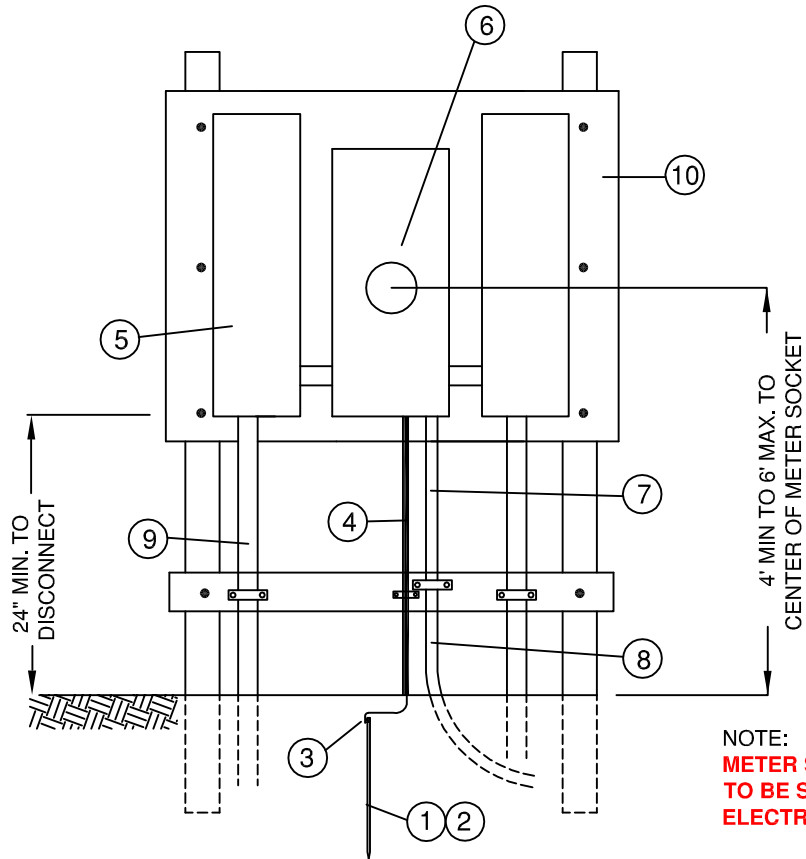
UNDERGROUND SERVICE INSTALLATION
OPTIONAL

REVISED

AUG 2016



320 AMP UNDERGROUND SERVICE INSTALLATION



NOTE:
METER SOCKET LOCATION
TO BE SPOTTED BY HORRY
ELECTRIC PERSONNEL

MATERIALS:

1. GROUND ROD MUST BE WITHIN 2' OF THE SERVICE AND BURIED BELOW FINISH GRADE. (REFER TO NEC FOR SIZE)
2. AN INDEPENDENT GROUND ROD IS REQUIRED FOR EACH SERVICE.
3. GROUND ROD CLAMP, UL APPROVED.
4. GROUNDING ELECTRODE CONDUCTOR **IN CONDUIT**.(REFER TO NEC FOR SIZE)
5. SERVICE DISCONNECT, AS REQUIRED , AND APPROVED FOR LOCATIONS.
6. METER SOCKETS, USE HORRY ELECTRIC METER BASES OR AN HORRY ELECTRIC APPROVED METER BASE ONLY.
SEE HEC APPROVED METER BASE LIST.
7. CONDUIT, PVC, SCHEDULE 80; (PER LOCAL JURISDICTION)
8. PVC, SIZED ACCORDINGLY FOR SERVICE LATERAL.
9. REFER TO NEC FOR WIRE AND CONDUIT SIZE
10. ADEQUATE WEATHERPROOF STRUCTURE TO SUPPORT METER INSTALLATION.

NOTES:

- A. ALL CONDUIT CONNECTIONS SHALL BE TIGHT.
- B. ALL CONDUIT AND SOCKET MOUNTING HARDWARE AND FITTINGS SHALL BE GALVANIZED OR OTHERWISE NONCORROSIVE. 2-HOLE STRAPS ARE REQUIRED ON ALL CONDUIT.
- C. **ANY EXCEPTIONS TO THE ABOVE MUST HAVE PRIOR WRITTEN APPROVAL FROM HORRY ELECTRIC COOPERATIVE, INC.**
(EX. IF IN A FLOOD ZONE HEC'S STAKING TECH WILL DECIDE THE HEIGHT.)

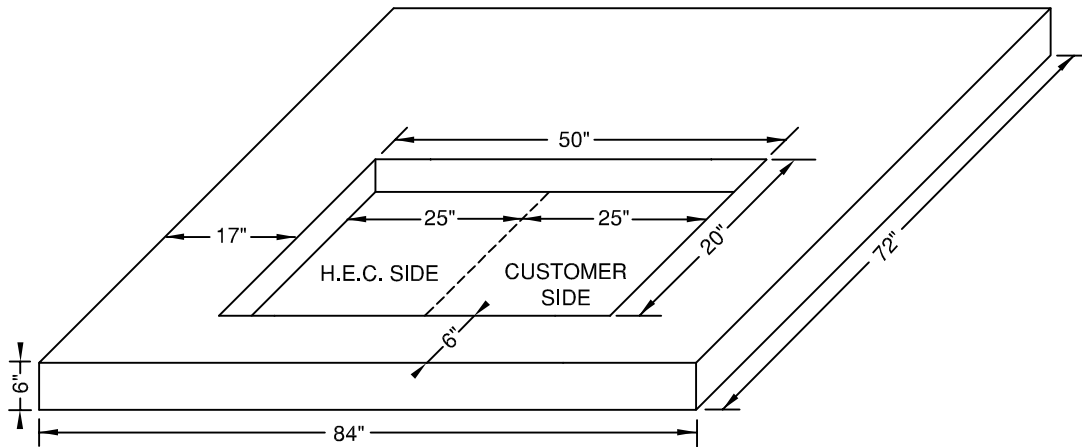
HORRY ELECTRIC COOPERATIVE, INC.

320 AMP UNDERGROUND
SERVICE INSTALLATION

REVISED

AUG 2016





FRONT OF PAD DOORS OPEN TO THIS SIDE

NOTES:

- REQUIRED FOR ALL TRANSFORMERS 500 KVA AND LARGER
- BUILDER IS RESPONSIBLE FOR THE INSTALLATION AND COST OF POURING THE PAD
- CONCRETE PAD MINIMUM OF 6" THICK
- CONCRETE IS TO BE SET 4" ABOVE FINISHED GRADE
- CUT CONDUIT OFF LEVEL WITH THE TOP OF THE PAD
- LEAVE 8'-0" TAILS ON CUSTOMER OWNED WIRE.(SECONDARY SIDE)
- ANY EXCEPTIONS TO THE ABOVE MUST HAVE PRIOR WRITTEN APPROVAL FROM HORRY ELECTRIC COOPERATIVE, INC.

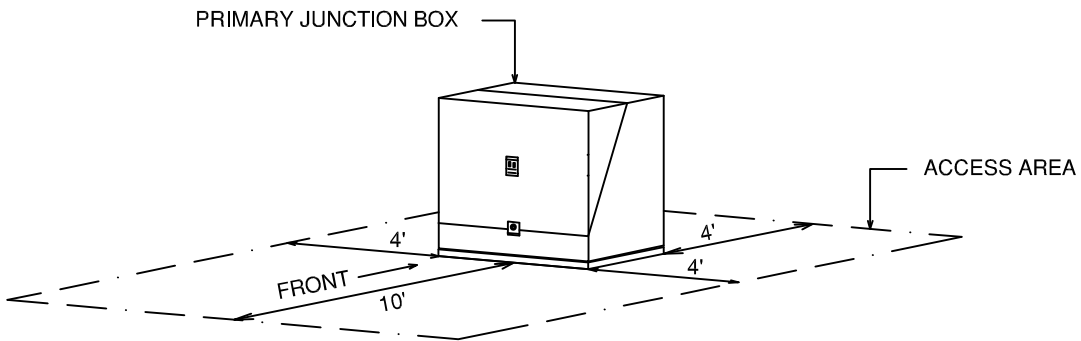
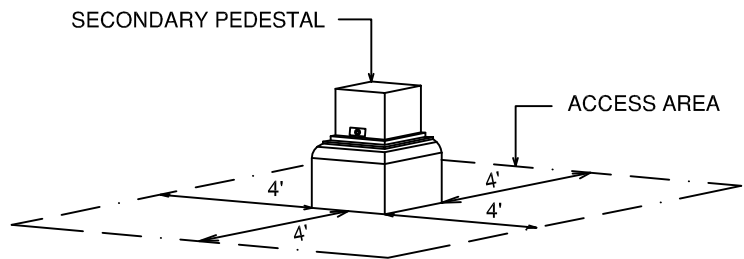
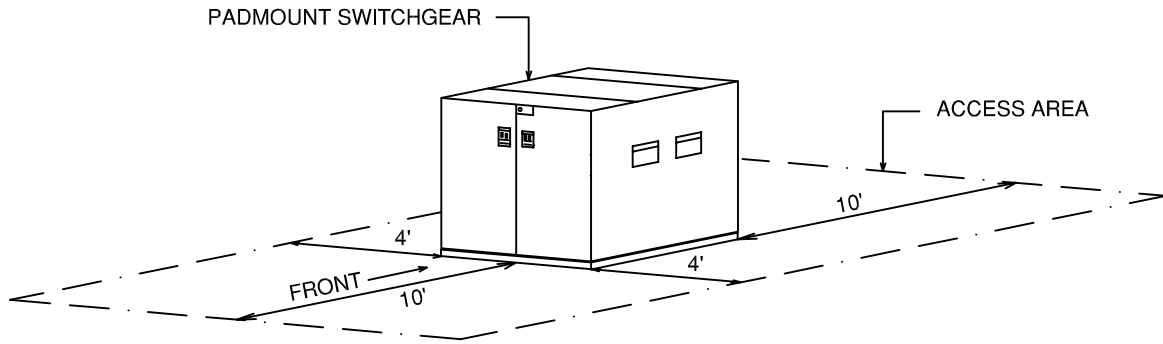
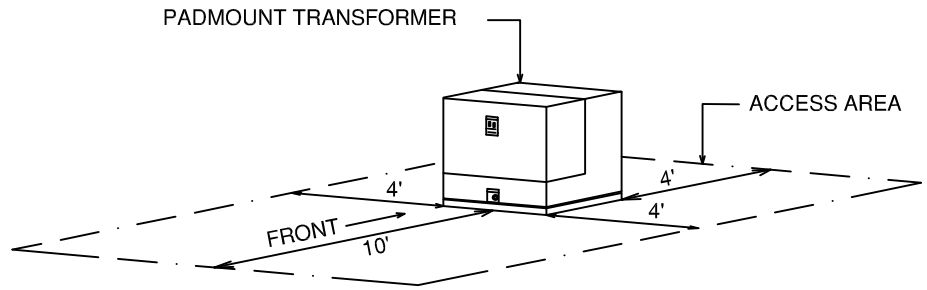


HORRY ELECTRIC COOPERATIVE, INC.

CUSTOMER CONSTRUCTED
3 PHASE TRANSFORMER PAD
500KVA AND LARGER

REVISED

AUG 2016



NOTES:

1. IN THE EVENT OF EQUIPMENT FAILURE OR POWER OUTAGE, IT IS NECESSARY FOR UTILITY CREWS TO HAVE ADEQUATE AND SAFE ACCESS TO ALL EQUIPMENT.
2. ACCESS TO THE FRONT SHALL BE 10' AND ACCESS TO THE REAR AND SIDES SHALL BE 4'.
3. PADMOUNT SWITCHGEAR REQUIRES 10' ACCESS ON BOTH THE FRONT AND REAR AND 4' ON EACH SIDE.
4. TREES, SHRUBS, FENCES, LARGE LANDSCAPING ROCKS, OR ANY OTHER OBSTRUCTIONS SHALL NOT BE PERMITTED IN THE ACCESS AREA.

HORRY ELECTRIC COOPERATIVE, INC.

**PADMOUNT & URD EQUIPMENT
ACCESS & CLEARANCES**

REVISED

AUG 2016





- Only a **Horry Electric Meter Base** or a meter base from **Horry Electric approved list** will be approved. Horry Electric will **Not** accept a unibase.
- Horry Electric must be contacted in advance to arrange a time to pull meter and/or de-energize service for Generator Bypass Switch to be installed.
- The Horry Electric Generator Release of Liability must be signed before meter will be removed or the service is de-energized.
- See Meter Base Checklist pages for proper installation instructions.
- An electrician must be present to remove the Generlink Bypass Switch for Horry Electric to do anything at the meter base beyond checking the voltage.**

HORRY ELECTRIC COOPERATIVE, INC.

Stand-By Generator
Generlink Bypass Switch

REVISED
January 2022





-Only a **Horry Electric Meter Base** or a meter base from the current **Horry Electric approved list** will be approved. Horry Electric will **Not** accept a unibase.

-Horry Electric must be contacted in advance to arrange a time to pull meter and/or de-energize service for Generator Bypass Switch to be installed.

-The Horry Electric Generator Release of Liability must be signed before meter will be removed or the service is de-energized.

-If the meter base has been replaced or if a disconnect has to be relocated to accommodate the installation of the Direct Power bypass switch, Code Enforcement must inspect the installation before Horry Electric will re-install meter or re-energize service.

-See Meter Base Checklist pages for proper installation instructions.

-An electrician must be present to remove the Generator Bypass Switch for Horry Electric to do anything at the meter base beyond checking voltage.

HORRY ELECTRIC COOPERATIVE, INC.

Whole House Generator
with Direct Power Bypass Switch

REVISED

January 2022





-Only a **Horry Electric Meter Base** or a meter base from **Horry Electric approved list** will be approved. Horry Electric will **Not** accept a unibase.

-Horry Electric must be contacted in advance to arrange a time to pull meter and/or de-energize service for Generator Bypass Switch to be installed.

-The Horry Electric Generator Release of Liability must be signed before meter will be removed or the service is de-energized.

-Code Enforcement must inspect Generator Bypass Switch installation before Horry Electric will re-install meter or re-energize service.

-See Meter Base Checklist pages for proper installation instructions.

HORRY ELECTRIC COOPERATIVE, INC.

Whole House Generator
with Traditional Bypass Switch

REVISED

January 2022

