

# MG5200 series

## PARTS CATALOG

REVISION 0

4502B001AA MG5230 / 100V(JP)  
4502B002AA MG5220 / 120V(US)  
4502B003AA MG5220 / 120V(CA)  
4502B004AA MG5210 / 220V-240V(LAM)  
4502B006AA MG5250 / 220V-240V(EUR)  
4502B007AA MG5240 / 220V-240V(MEA)  
4502B008AA MG5250 / 220V-240V(GB)  
4502B011AA MG5250 / 220V-240V(AU)  
4502B012AA MG5270 / 220V-240V(ASA)  
4502B013AA MG5270 / 220V-240V(HK)  
4502B014AA MG5280 / 220V-240V(CN)  
4502B015AA MG5270 / 120V(TW)  
4502B016AA MG5270 / 220V-240V(KR)



AUG. 2010

**QY8-31DZ-000**

COPYRIGHT © 2010 CANON INC. CANON MG5200 series 0810 N 0.00-0

## **Application**

This manual has been issued by Canon Inc. for qualified person to learn technical theory, installation, maintenance, and repair of products. This manual covers all localities where the products are sold. For this reason, there may be information in this manual that does not apply to your locality.

## **Corrections**

This manual could include technical inaccuracies or typographical errors due to improvements or changes in the products. When changes occur in applicable products or in the content of this manual, Canon will release technical information as the need arises. In the event of major changes in the contents of this manual over a long or short period. Canon will issue a new editions of this manual. The following paragraph does not apply to any countries where such provisions are inconsistent with local law.

## **Trademarks**

The product names and company names described in this manual are the registered trademarks of the individual companies.

## **Copyright**

This manual is copyrighted with all rights reserved. Under the copyright laws, this manual may not be copied, reproduced or translated into another language, in whole or in part, without the written consent of Canon Inc.

Copyright © 2010 by Canon Inc.

CANON INC.

Inkjet Device Market Support Management Div

451, Tsukagoshi, 3-chome, Saiwai-ku, Kawasaki-shi, Kanagawa 212-8530, Japan

This manual was created under Microsoft® Windows® 2000.

Parts layout pictures were edited using Adobe® Photoshop® 7.0. KEY No. were created using Adobe® Illustrator®10.

HTML files were created using Microsoft® FrontPage® 2000.

## ABOUT THIS MANUAL

### A. ILLUSTRATION INDEX

For illustration index, the parts layout illustrations in this parts catalog are listed in abbreviated form in order of illustration number to identify the pages they appear on. To find an illustration of a part, see the ILLUSTRATION INDEX.

### B. PARTS LAYOUT & PARTS LIST

#### Parts layout illustration

##### a) Parts search

Find a part from the parts layout illustration and find its key number from the parts list to identify the part number and name. For screws, nuts, washers, lock washers, pins, spacers, see SCREWS & WASHERS LIST.

**Note:** If parts have the same or similar shape but different specifications, their key number is assigned to several part numbers and names in the parts list.

##### b) Parts replacement procedure

To replace parts, the parts layout illustrations have figure numbers according to the disassembly procedure of the product. The parts that require careful work are shown the illustration.

#### Parts list

##### a) FIGURE & KEY No.

The FIGURE & KEY No. column corresponds to the key numbers assigned to the parts in the parts layout illustration.

##### b) PART NUMBER

The PART NUMBER column gives the part numbers corresponding to the key numbers. To order a part, indicate the part number clearly.

**Note:** Parts marked NPN are not service parts.

##### c) RANK

The service parts with N in the RANK column are order parts.

##### d) QTY

The QTY column gives the number of parts in the corresponding components layout illustration.

##### e) DESCRIPTION

The DESCRIPTION column gives the part names in English.

To order a part, indicate the part name, too.

### C. OPTIONS & CONSUMABLES

These are illustrations and a list of units that can be used as optional consumable equipments.

### D. SCREWS & WASHERS LIST

This is a list of screws, nuts, washers, lock washers, pins, and spacers.

The QTY column does not give the number of parts used.

### E. TOOL LIST

This is a list of tools used for servicing products.

### F. NUMERICAL INDEX

All the parts listed in this parts catalog are arranged in order of part number. You can identify part locations and names from the NUMERICAL INDEX.

# Contents

## A. ILLUSTRATION INDEX

## B. PARTS LAYOUT & PARTS LIST

**FIGURE 1** PACKING CONTENTS & PRINT HEAD

**FIGURE 2** AC ADAPTER

**FIGURE 3** EXTERNAL COVERS & SCANNER UNIT

**FIGURE 4** DOCUMENT PRESSURE PLATE UNIT

**FIGURE 5** OPERATION PANEL UNIT

**FIGURE 6** MAIN CASE UNIT & FRONT DOOR UNIT

**FIGURE 7** BOTTOM CASE & INK ABSORBER

**FIGURE 8** LOGIC BOARD ASS'Y & PE SENSOR BOARD ASS'Y

**FIGURE 9** SHEET FEED UNIT

**FIGURE 10** CARRIAGE UNIT & PRESSURE ROLLER UNIT

**FIGURE 11** PLATEN UNIT & SPUR UNIT

**FIGURE 12** PURGE DRIVE SYSTEM UNIT & SWITCH SYSTEM UNIT

## C. OPTION & CONSUMABLES

## D. SCREW & WASHER LIST

## E. TOOL

## F. NUMERICAL INDEX

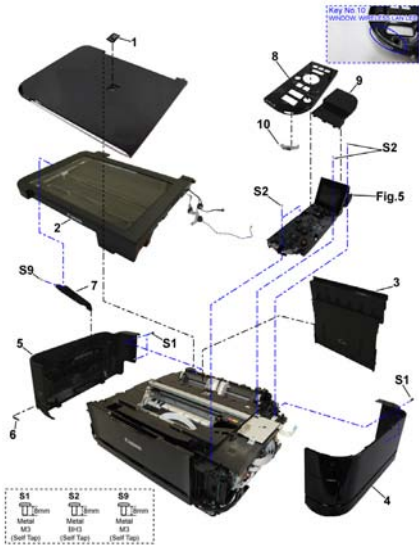
**FIGURE 1** PACKING CONTENTS & PRINT HEAD



**FIGURE 2** AC ADAPTER



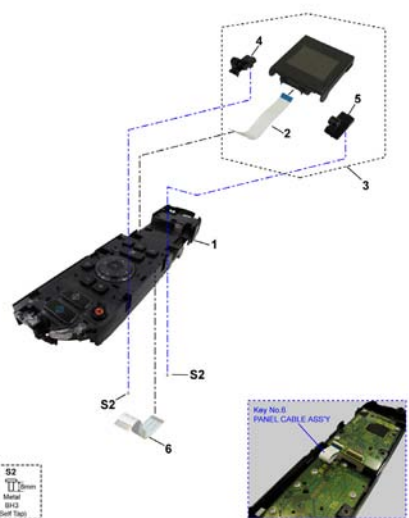
**FIGURE 3** EXTERNAL COVERS & SCANNER UNIT



**FIGURE 4** DOCUMENT PRESSURE PLATE UNIT



**FIGURE 5** OPERATION PANEL UNIT



**FIGURE 6** MAIN CASE UNIT & FRONT DOOR UNIT

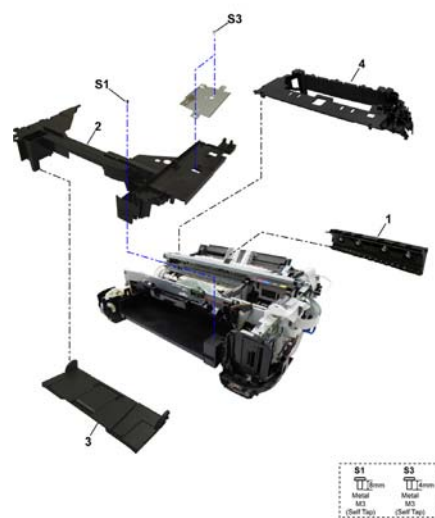


FIGURE 7 BOTTOM CASE & INK ABSORBER

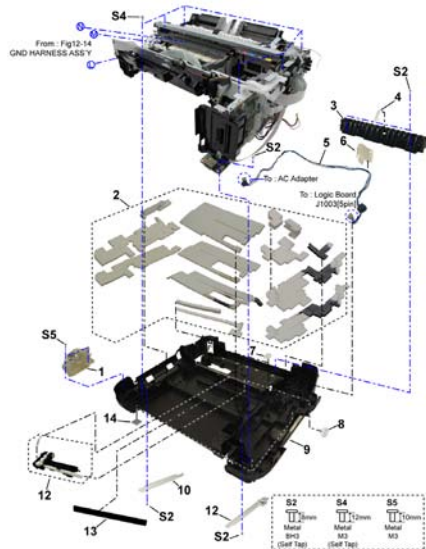


FIGURE 8 LOGIC BOARD ASS'Y & PE SENSOR BOARD ASS'Y

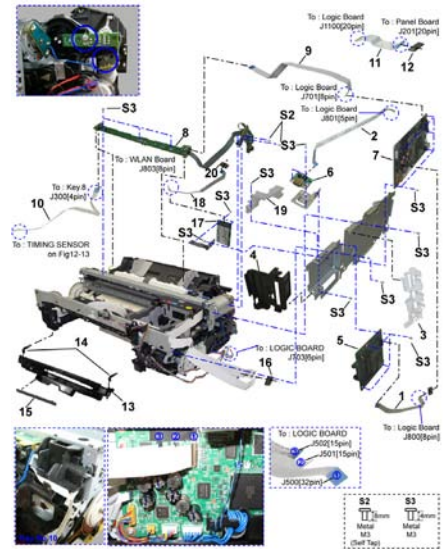


FIGURE 9 SHEET FEED UNIT

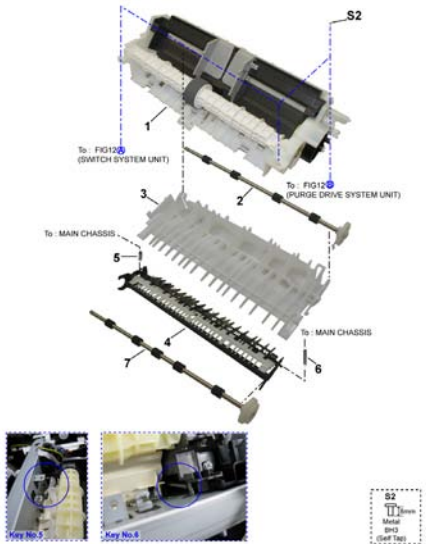


FIGURE 10 CARRIAGE UNIT & PRESSURE ROLLER UNIT

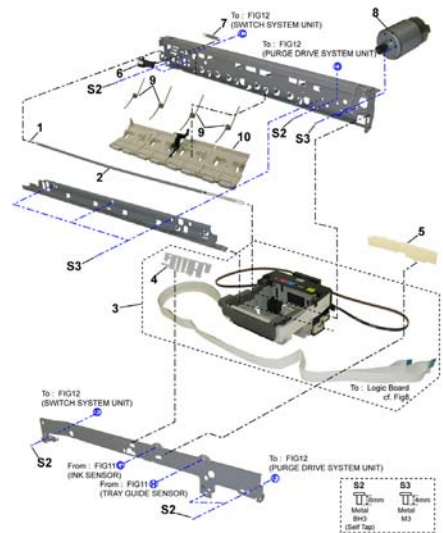


FIGURE 11 PLATEN UNIT & SPUR UNIT

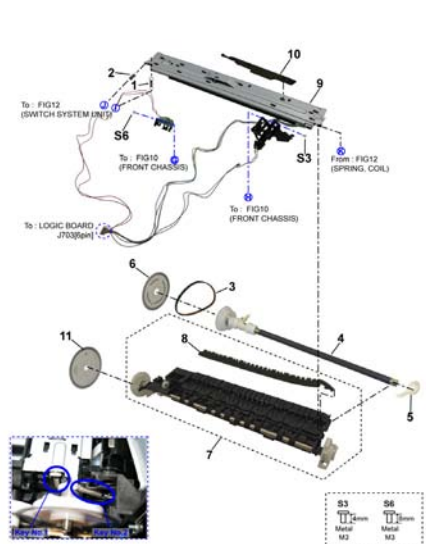
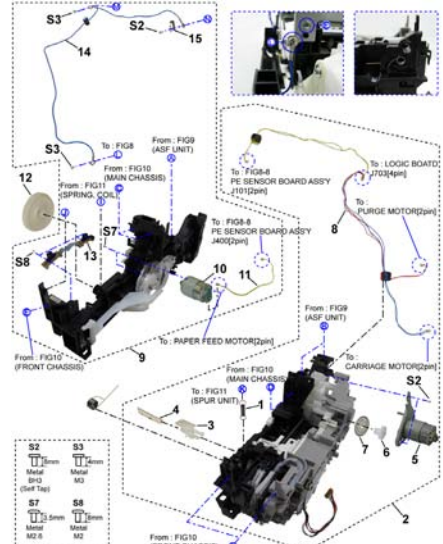


FIGURE 12 PURGE DRIVE SYSTEM UNIT & SWITCH SYSTEM UNIT



**FIGURE 13 OPTION & CONSUMABLES**



**FIGURE 14 TOOL**





**FIGURE 1 PACKING CONTENTS & PRINT HEAD**





FIGURE & KEY No.		PART NUMBER	RANK	QTY	DESCRIPTION	REMARKS
1-	1	QM3-7362-000		1	CASSETTE UNIT	
	2	QY6-0080-000		1	PRINT HEAD	
	3	QH2-2716-000		1	CORD, POWER	220V-240V(EUM, EMB, ASA, MY)
	3	QH2-2719-000		1	CORD, POWER	100V-120V
	3	QH2-2721-000		1	CORD, POWER	220V-240V(KR)
	3	QK1-0776-000		1	CORD, POWER	220V-240V(AU)
	3	QK1-1675-000		1	CORD, POWER	220V-240V(GB, HK)
	3	QK1-2017-000		1	CORD, POWER	100V-120V(TW)
	3	QK1-3048-000		1	CORD, POWER	120V-240V(LAM, CHN)
	3	QK1-3761-000		1	CORD, POWER	100V(JP)
	4	QL2-2531-000		1	CDR TRAY ASS'Y	W/ CDR PRINTING
	5	QA4-1117-000		1	TRAY, CD SUB	W/ CDR PRINTING
	6	QC3-4625-000		1	SHEET, PANEL	(CA)
	6	QC3-4626-000		1	SHEET, PANEL	(LAM)

**FIGURE 2 AC ADAPTER**



FIGURE & KEY No.		PART NUMBER	RANK	QTY	DESCRIPTION	REMARKS
2-	1	QK1-5773-000		1	AC ADAPTER: 100V-240V 50/60HZ	(CN)
	1	QK1-5862-000		1	AC ADAPTER: 100V-240V 50/60HZ	

**FIGURE 3 EXTERNAL COVERS & SCANNER UNIT**

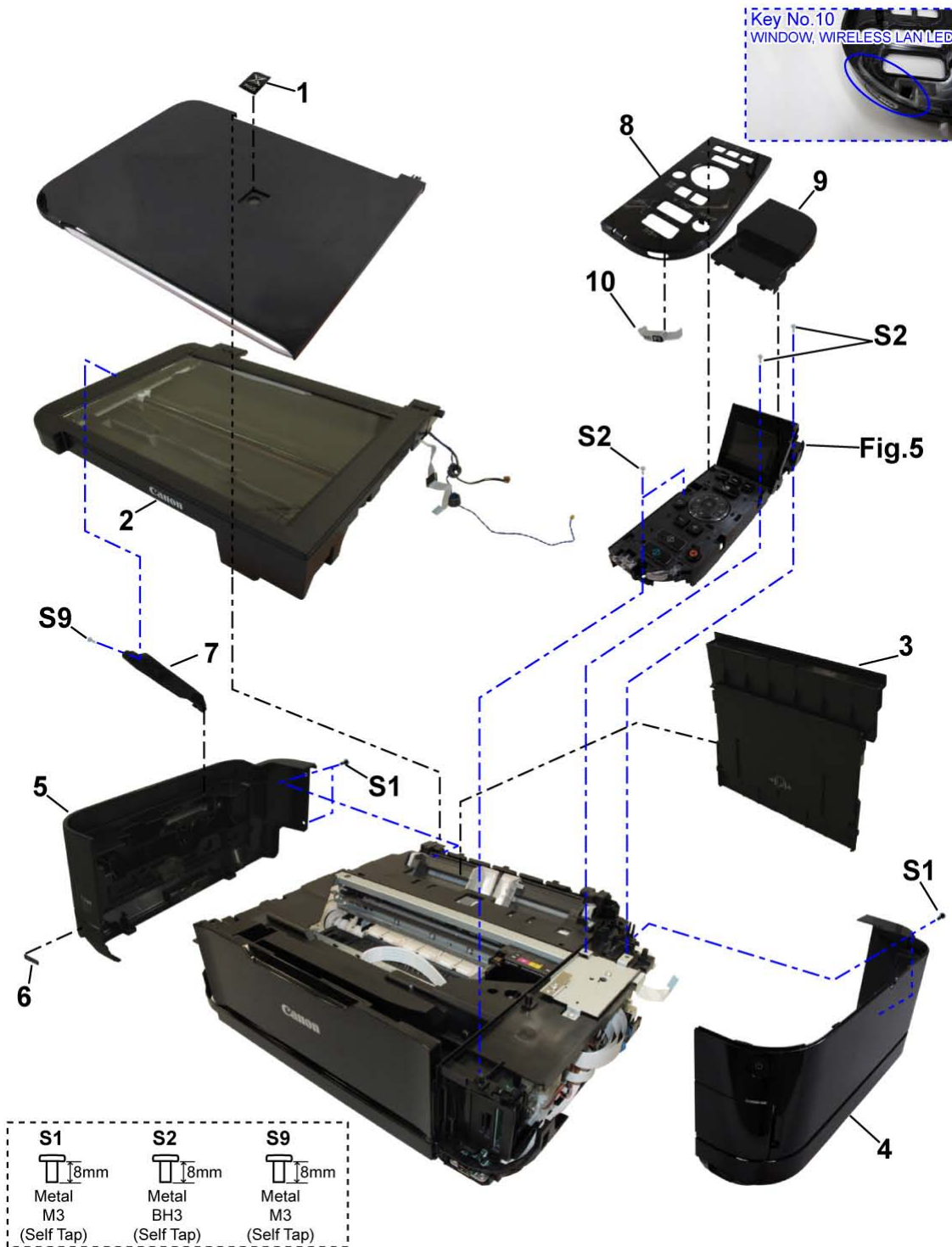


FIGURE & KEY No.		PART NUMBER	RANK	QTY	DESCRIPTION	REMARKS
3-	1	QC3-4615-000		1	EMBLEM	(FOR JAPAN)
	1	QC3-4616-000		1	EMBLEM	(FOR OTHER REGIONS)
	2	QM3-7380-000		1	SCANNER UNIT	
	3	QM3-7358-000		1	ASF COVER UNIT	
	4	QM3-7361-000		1	SIDE COVER R UNIT	
	5	QM3-7360-000		1	SIDE COVER L UNIT	
	6	QC3-4643-000		1	LABEL, PRODUCT NAME, MG5210	(LAM)
	6	QC3-4646-000		1	LABEL, PRODUCT NAME, MG5220	(US, CA)
	6	QC3-4647-000		1	LABEL, PRODUCT NAME, MG5230	(JP)
	6	QC3-4648-000		1	LABEL, PRODUCT NAME, MG5240	(MEA)
	6	QC3-4649-000		1	LABEL, PRODUCT NAME, MG5250	(EUR, GB, AU)
	6	QC3-4650-000		1	LABEL, PRODUCT NAME, MG5270	(ASA, HK, TW, KR)
	6	QC3-4651-000		1	LABEL, PRODUCT NAME, MG5280	(CN)
	7	QC3-4607-000		1	STAY, SCANNER	
	8	QC3-4617-000		1	COVER, OPERATION PANEL	(US, CA, LAM, AU, ASA)
	8	QC3-4618-000		1	COVER, OPERATION PANEL	(JP)
	8	QC3-4619-000		1	COVER, OPERATION PANEL	(EUR, EMA, GB)
	8	QC3-4620-000		1	COVER, OPERATION PANEL	(HK, TW)
	8	QC3-4621-000		1	COVER, OPERATION PANEL	(CN)
	8	QC3-4622-000		1	COVER, OPERATION PANEL	(KR)
	9	QC3-4548-000		1	TOP COVER, OPERATION REAR	
	10	QC3-4623-000		1	WINDOW, WIRELESS LAN LED	

**FIGURE 4 DOCUMENT PRESSURE PLATE UNIT**

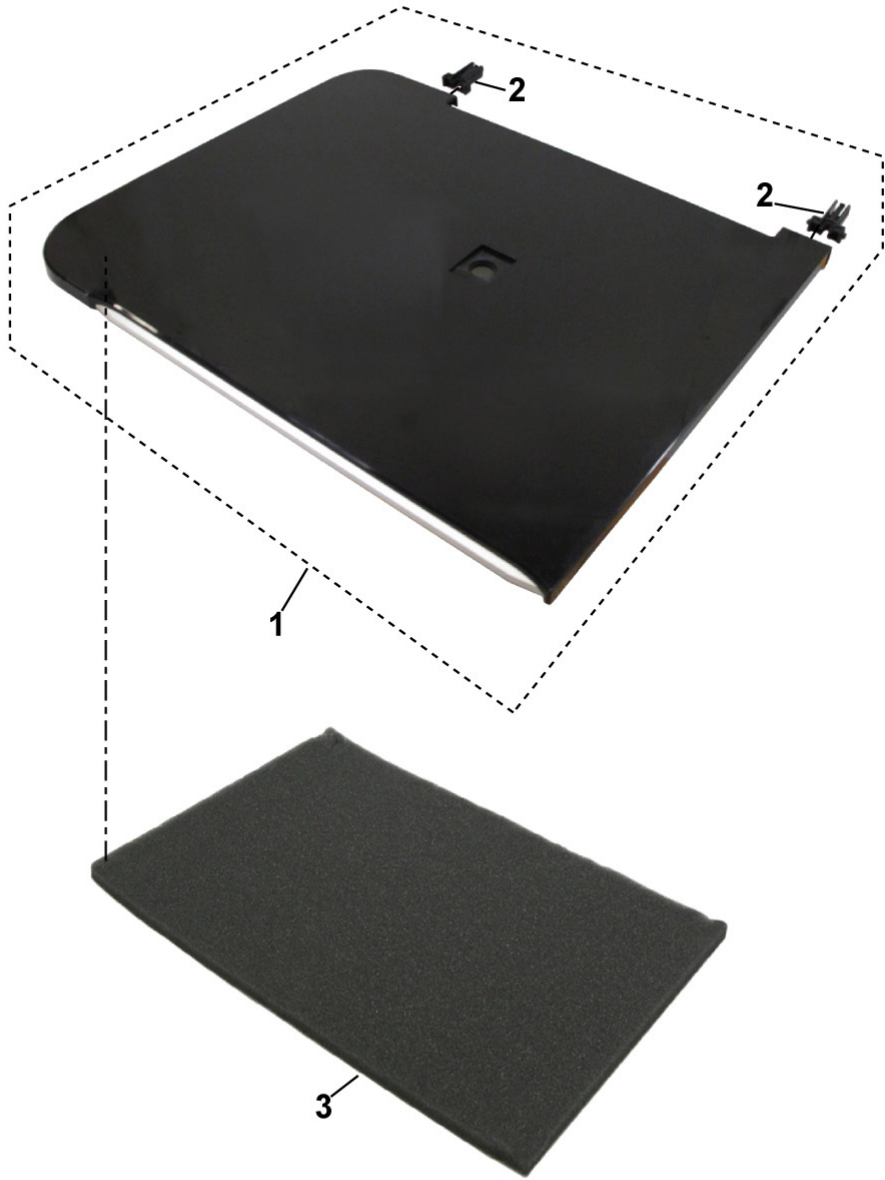


FIGURE & KEY No.		PART NUMBER	RANK	QTY	DESCRIPTION	REMARKS
4-	1	QM3-7381-000		1	DOCUMENT COVER UNIT	
	2	QC3-4587-000		2	HINGE	
	3	QC3-4638-000		1	SHEET, DOCUMENT PRESSURE	

**FIGURE 5 OPERATION PANEL UNIT**

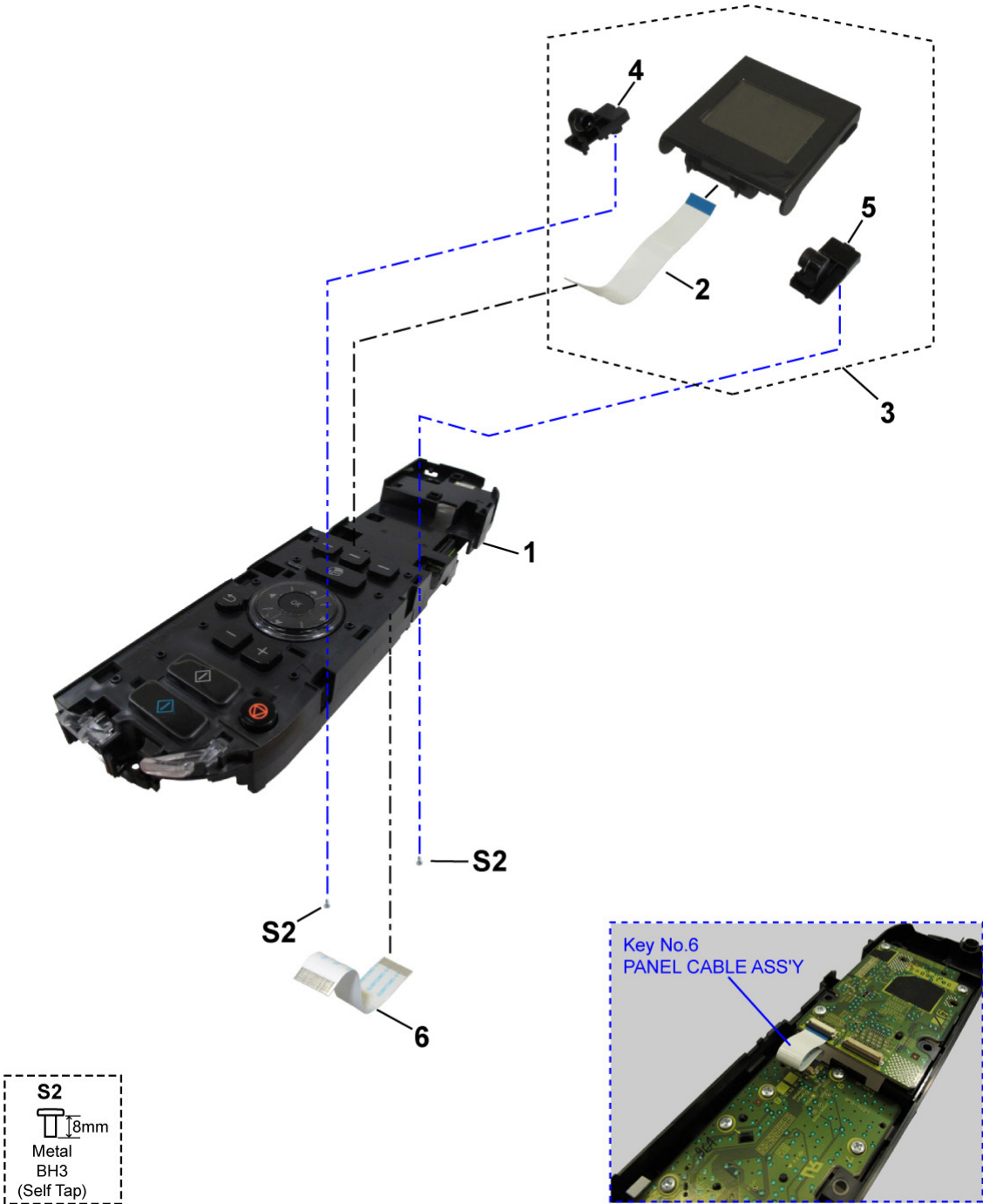




FIGURE & KEY No.		PART NUMBER	RANK	QTY	DESCRIPTION	REMARKS
5-	1	QM3-7383-000		1	OPERATION PANEL UNIT	
	2	QK1-6782-000		1	LCD CABLE ASS'Y	
	3	QM3-7364-000		1	LCD UNIT	
	4	QC3-4569-000		1	HINGE, LCD L	
	5	QC3-4570-000		1	HINGE, LCD R	
	6	QK1-6780-000		1	PANEL CABLE ASS'Y	

**FIGURE 6 MAIN CASE UNIT & FRONT DOOR UNIT**

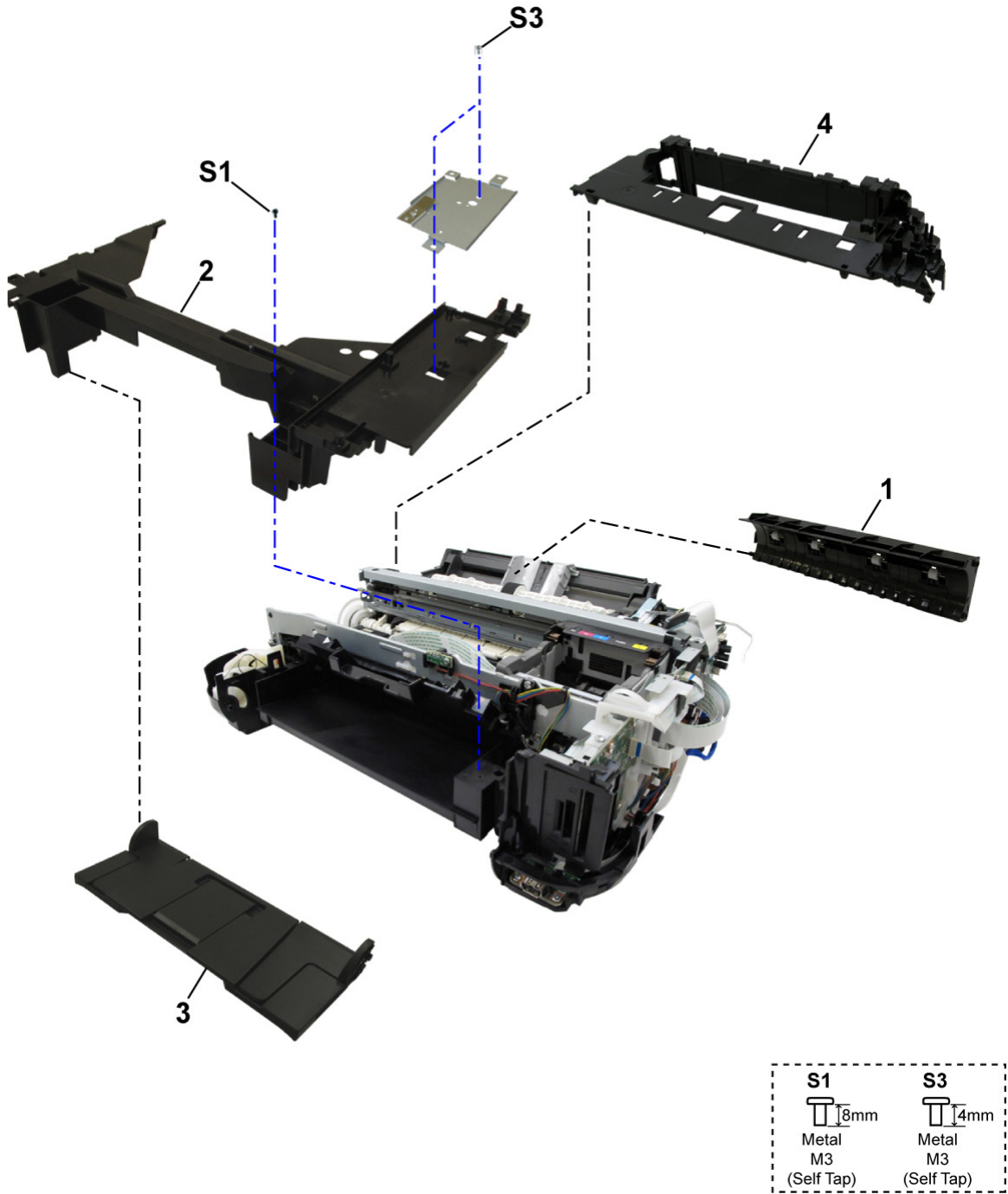


FIGURE & KEY No.		PART NUMBER	RANK	QTY	DESCRIPTION	REMARKS
6-	1	QM3-4762-000		1	REAR GUIDE UNIT	
	2	QC3-4578-000		1	CASE, MAIN	
	3	QM3-7359-000		1	FRONT DOOR UNIT	
	4	QM3-5519-000		1	SUB CASE UNIT	

**FIGURE 7 BOTTOM CASE & INK ABSORBER**

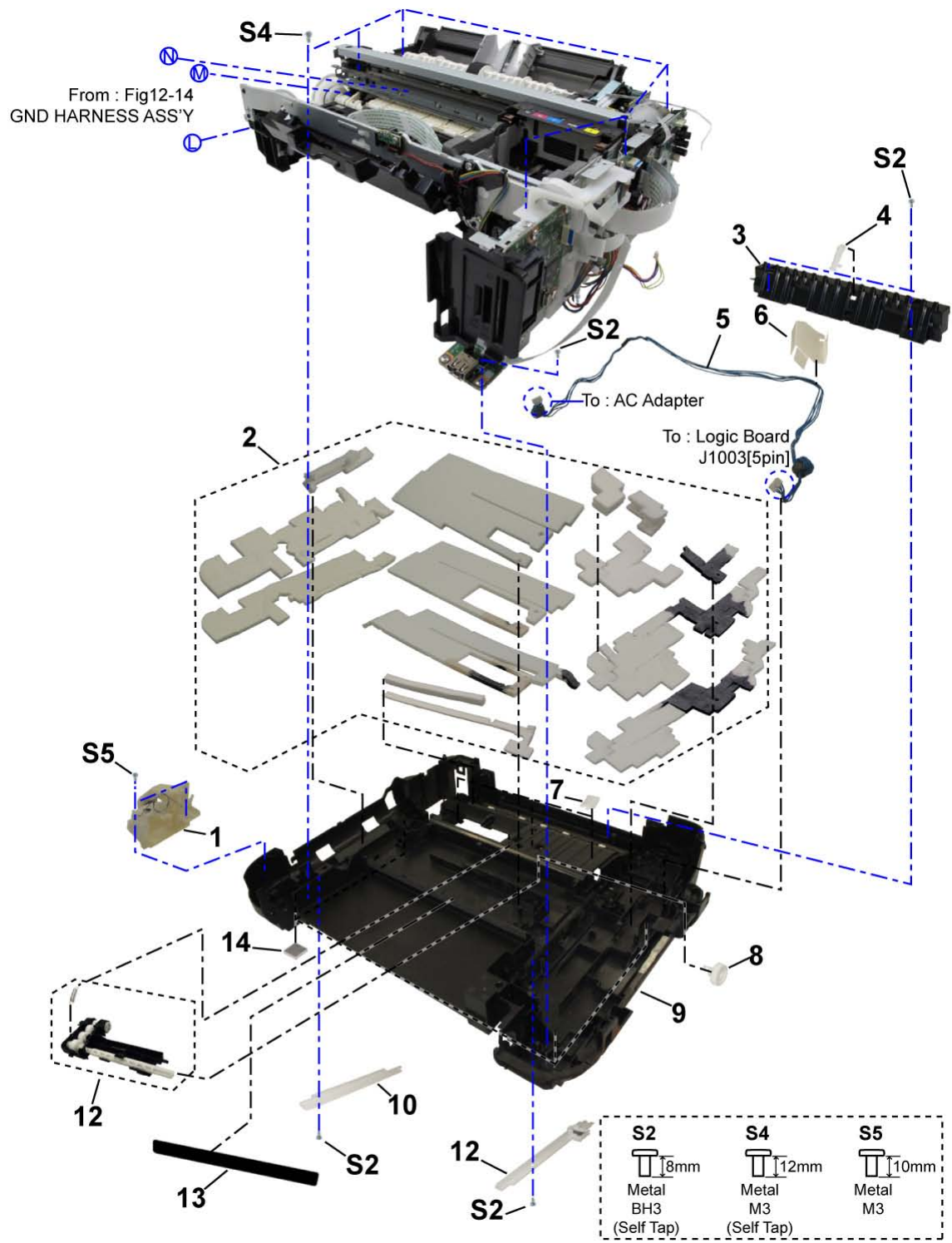


FIGURE & KEY No.		PART NUMBER	RANK	QTY	DESCRIPTION	REMARKS
7-	1	QM3-3739-000		1	FRONT DOOR LINK UNIT	
	2	QY5-0293-000		1	ABSORBER KIT	
	3	QC2-7534-000		1	PAPER SEPARATION SLOPE	
	4	QC2-7533-000		1	PAPER SEPARATION KNURL	
	5	QM3-7427-000		1	DC HARNESS ASS'Y	
	6	QC2-9282-000		1	COVER, DC HARNESS ASS'Y	
	7	QC2-7716-000		3	FLAPPER, DUPLEX PAPER FEED	
	8	QC2-7654-000		1	GEAR, PICK UP SHAFT	
	9	QC3-4642-000		1	CASE, BOTTOM	
	10	QC2-7529-000		1	CASSETTE RAIL L	
	11	QM3-3640-000		1	CASSETTE RAIL R UNIT	
	12	QM3-6794-000		1	PICK UP ARM UNIT	
	13	QC2-9287-000		1	SHEET, ANTISTATIC	
	14	QC1-6457-000		6	FOOT, RUBBER	

**FIGURE 8 LOGIC BOARD ASS'Y & PE SENSOR BOARD ASS'Y**

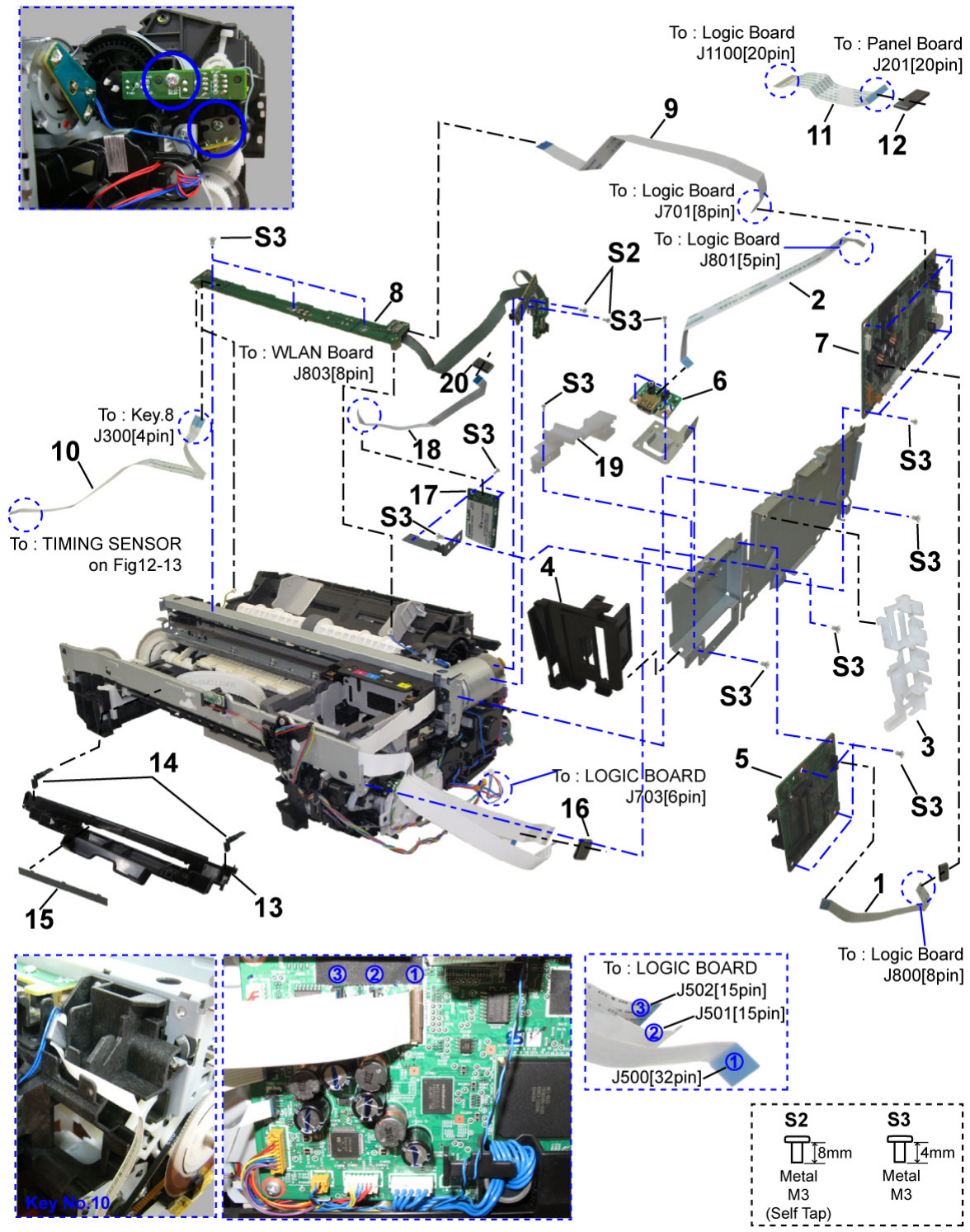
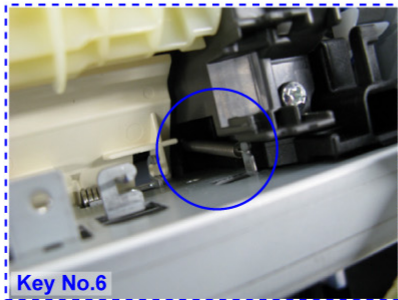
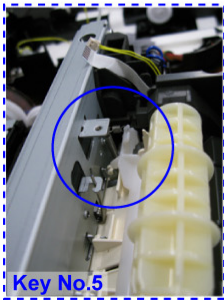
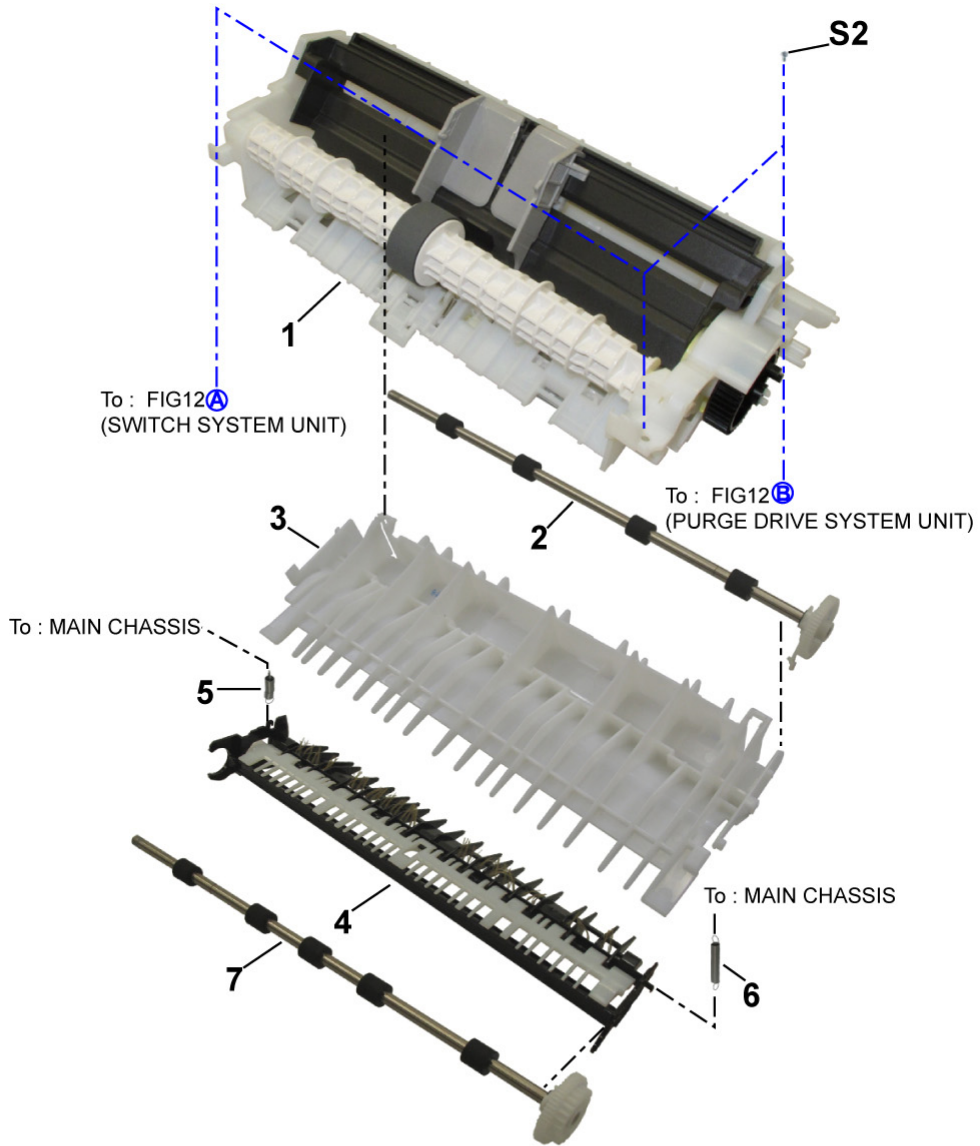


FIGURE & KEY No.		PART NUMBER	RANK	QTY	DESCRIPTION	REMARKS
8-	1	QK1-5600-000		1	CABLE, CARD SLOT	
	2	QK1-6636-000		1	CABLE, PICTBRIDGE	
	3	QC3-1220-000		1	HOLDER, CORE	
	4	QC3-4594-000		1	PANEL, CARD	
	5	QM3-7426-000		1	CARD BOARD ASS'Y	
	6	QM3-7416-000		1	PICTBRIDGE BOARD UNIT	
	7	QM3-7408-000		1	LOGIC BOARD ASS'Y	
	8	QM3-7447-000		1	PE SENSOR BOARD ASS'Y	
	9	QK1-6648-000		1	CABLE, PE SENSOR	
	10	QK1-4990-000		1	CABLE, LF ENCODER	
	11	QK1-6638-000		1	CABLE, PANEL	
	12	WE8-6719-000		1	CORE, RING	
	13	QM3-7387-000		1	INNER COVER UNIT	
	14	QC2-7678-000		2	ARM, RELEASE	
	15	QC2-7490-000		1	COVER, GAP	W/O CDR PRINTING
	16	WE8-6742-000		1	CORE, RING	
	17	QM3-7500-000		1	WIRELESS LAN BOARD ASS'Y	
	18	QK1-6646-000		1	CABLE, WIRELESS LAN	
	19	QC3-4644-000		1	GUIDE, WIRELESS LAN CABLE	
	20	WE8-6741-000		1	CORE, RING	



**FIGURE 9 SHEET FEED UNIT**



**S2**

8mm

Metal  
BH3  
(Self Tap)



FIGURE & KEY No.		PART NUMBER	RANK	QTY	DESCRIPTION	REMARKS
9-	1	QM3-5495-000		1	ASF UNIT	
	2	QL2-3484-000		1	CASSETTE FEED ROLLER UNIT	
	3	QC2-7699-000		1	GUIDE, CASSETTE FEED	
	4	QM3-6814-000		1	PAPER GUIDE UNIT	
	5	QC2-7657-000		1	SPRING, COIL	
	6	QC2-7743-000		1	SPRING, COIL	
	7	QL2-3485-000		1	DUPLEX PAPER FEED ROLLER UNIT	

**FIGURE 10 CARRIAGE UNIT & PRESSURE ROLLER UNIT**

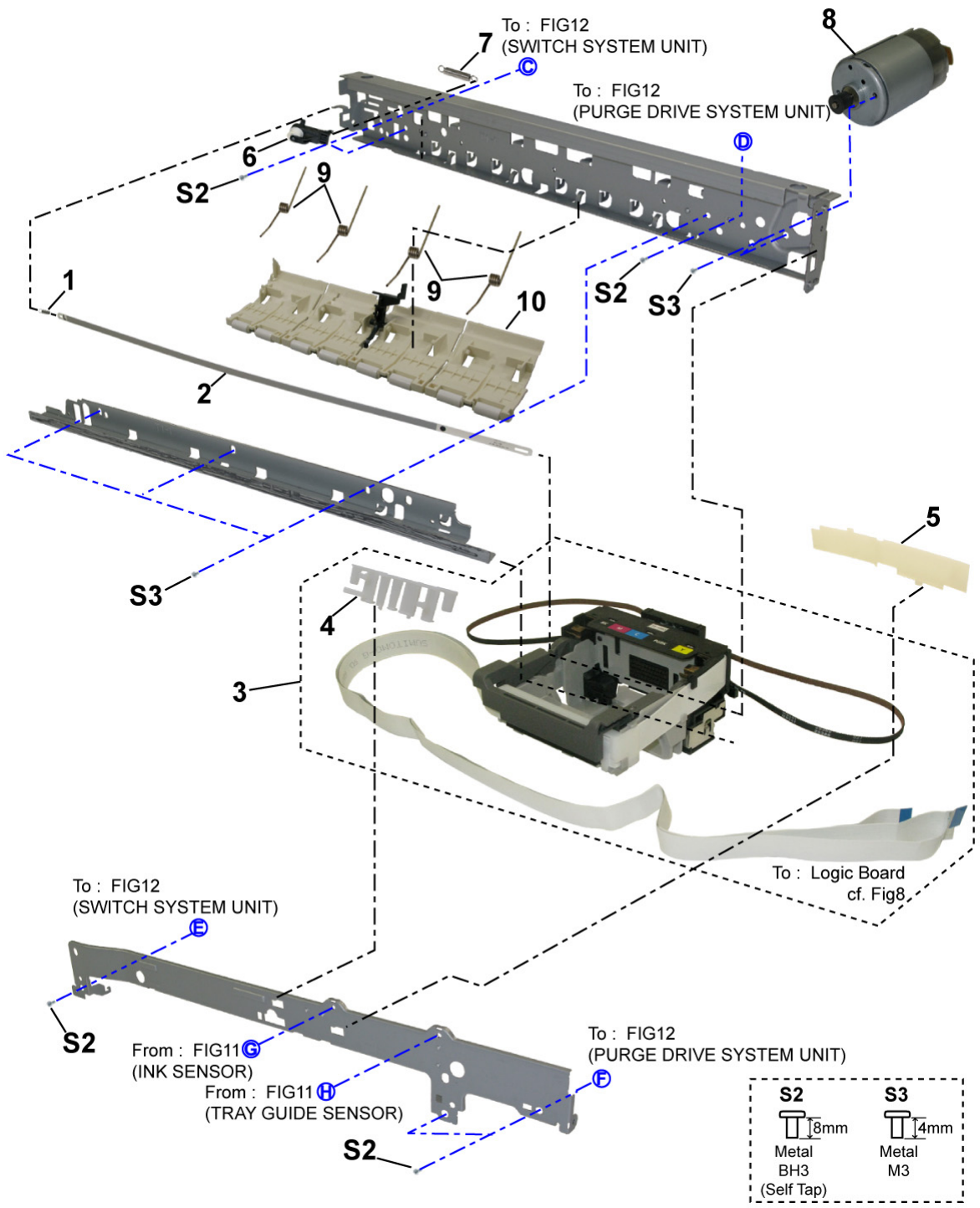


FIGURE & KEY No.		PART NUMBER	RANK	QTY	DESCRIPTION	REMARKS
10-	1	QC3-5524-000		1	SPRING, COIL	
	2	QC3-3927-000		1	FILM, TIMING SLIT STRIP	
	3	QM3-7412-000		1	CARRIAGE UNIT	
	4	QC2-7739-000		1	HOLDER, CARRIAGE CABLE	
	5	QC2-9235-000		1	COVER, CARRIAGE CABLE	
	6	QL2-2534-000		1	PULLEY HOLDER UNIT	
	7	QC1-6202-000		1	SPRING, COIL	
	8	QK1-1500-000		1	MOTOR, CARRIAGE	
	9	QC2-7528-000		4	SPRING, TORSION	
	10	QM3-6316-000		1	PRESSURE ROLLER UNIT	

**FIGURE 11 PLATEN UNIT & SPUR UNIT**

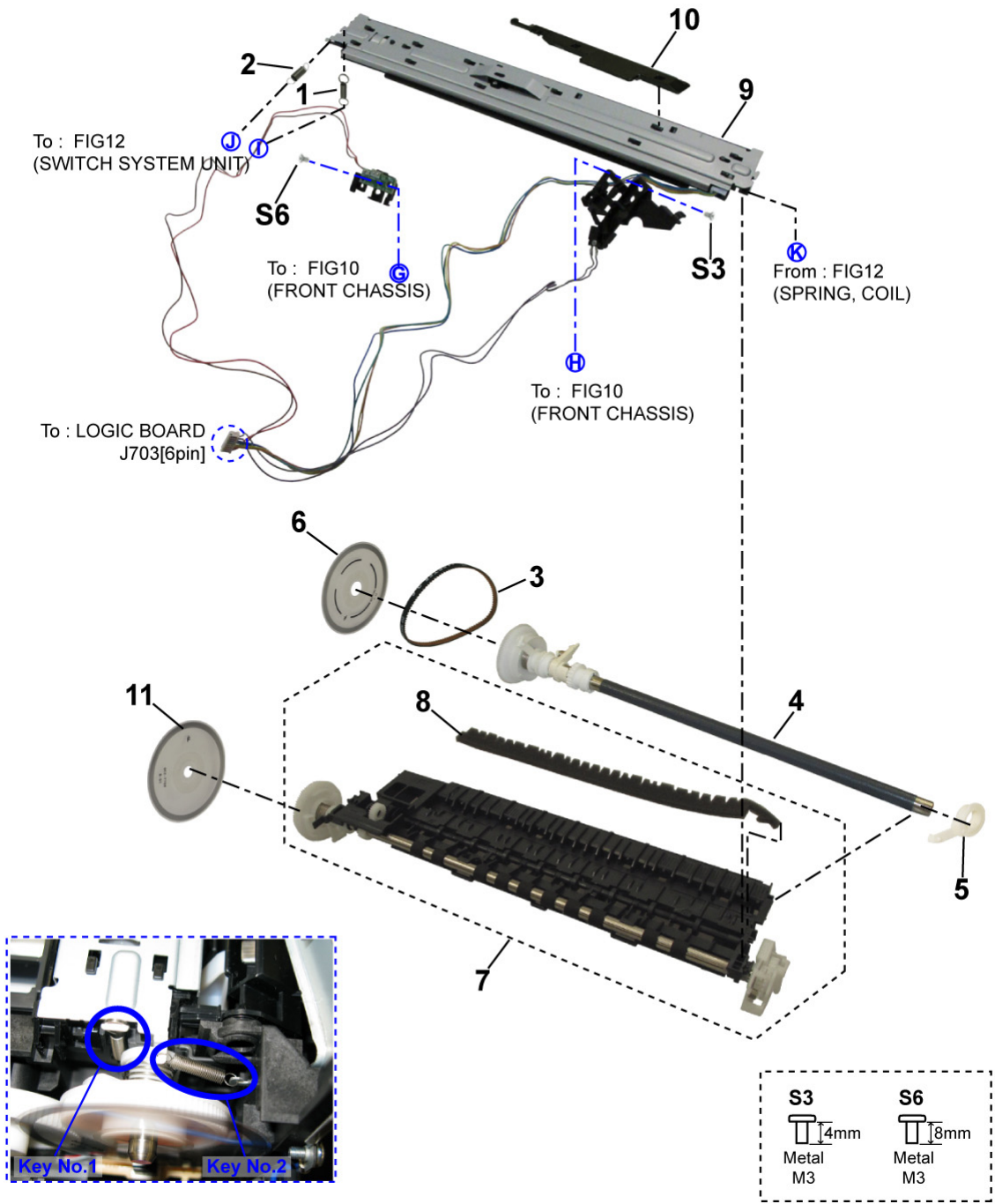


FIGURE & KEY No.		PART NUMBER	RANK	QTY	DESCRIPTION	REMARKS
11-	1	QC2-7745-000		1	SPRING, COIL	
	2	QC2-7782-000		1	SPRING, COIL	
	3	QC2-7526-000		1	BELT, PAPER FEED	
	4	QL2-3253-000		1	PAPER FEED ROLLER UNIT	
	5	QC3-4870-000		1	BUSHING, PAPER FEED ROLLER	
	6	QC3-3925-000		1	FILM, TIMING SLIT DISK FEED	
	7	QM3-7396-000		1	PLATEN UNIT	
	8	QC3-4610-000		1	ABSORBER, INK	
	9	QM3-7378-000		1	SPUR UNIT	
	10	QC2-9232-000		1	GUIDE, INNER	
	11	QC3-3926-000		1	FILM, TIMING SLIT DISK EJECT	

**FIGURE 12 PURGE DRIVE SYSTEM UNIT & SWITCH SYSTEM UNIT**

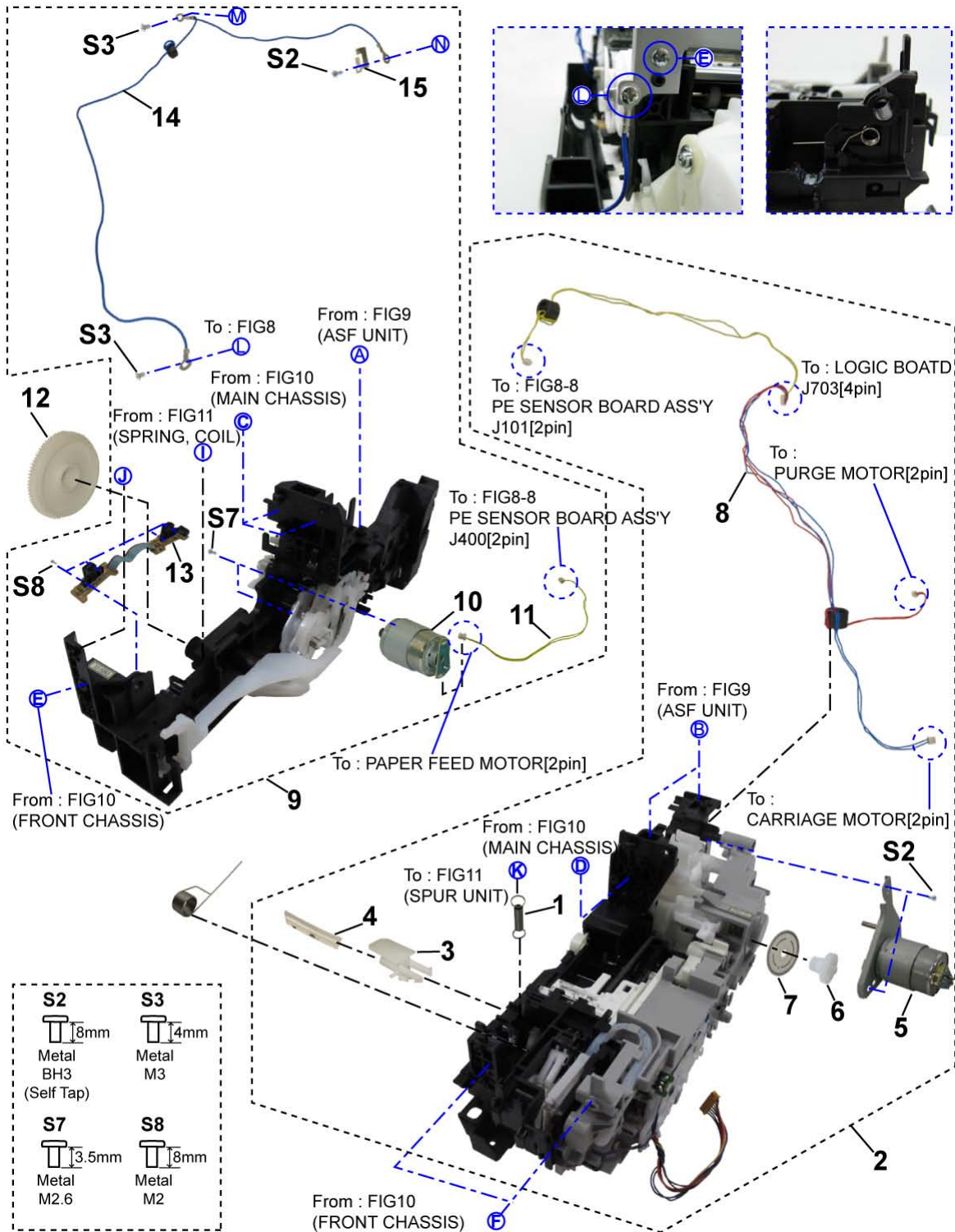


FIGURE & KEY No.		PART NUMBER	RANK	QTY	DESCRIPTION	REMARKS
12-	1	QC2-7787-000		1	SPRING, COIL	
	2	QM3-7404-000		1	PURGE DRIVE SYSTEM UNIT	
	3	QC2-9212-000		1	TUBE, INK JOINT	
	4	QC2-7483-000		1	TUBE, INK	
	5	QM3-6793-000		1	PURGE MOTOR UNIT	
	6	QC2-7652-000		1	GEAR, APP CODEWHEEL	
	7	QC2-9226-000		1	FILM, TIMING SLIT DISK APP	
	8	QM3-7429-000		1	MOTOR MULTI HARNESS ASS'Y	
	9	QM3-7410-000		1	SWITCH SYSTEM UNIT	
	10	QK1-3849-000		1	MOTOR, PAPER FEED	
	11	QM3-4410-000		1	PAPER FEED MOTOR HARNESS ASS'Y	
	12	QC2-7682-000		1	GEAR, IDLER	
	13	QM3-4411-000		1	TIMING SENSOR UNIT	
	14	QM3-7436-000		1	GND HARNESS ASS'Y	
	15	QC2-9216-000		1	SPRING, LEAF	





## FIGURE 13 OPTION & CONSUMABLES





FIGURE & KEY No.		PART NUMBER	RANK	QTY	DESCRIPTION	REMARKS
13-	1	NPN		1	BLACK INK TANK BCI-325 PGBK	CONSUMABLES
		NPN		1	CYAN INK TANK BCI-326 C	CONSUMABLES
		NPN		1	MAGENTA INK TANK BCI-326 M	CONSUMABLES
		NPN		1	YELLOW INK TANK BCI-326 Y	CONSUMABLES
		NPN		1	BLACK INK TANK BCI-326 BK	CONSUMABLES
	2	NPN		1	BLACK INK TANK PGI-225 PGBK	CONSUMABLES
		NPN		1	CYAN INK TANK CLI-226 C	CONSUMABLES
		NPN		1	MAGENTA INK TANK CLI-226 M	CONSUMABLES
		NPN		1	YELLOW INK TANK CLI-226 Y	CONSUMABLES
		NPN		1	BLACK INK TANK CLI-226 BK	CONSUMABLES
	3	NPN		1	BLACK INK TANK PGI-125 PGBK	CONSUMABLES
		NPN		1	CYAN INK TANK CLI-126 C	CONSUMABLES
		NPN		1	MAGENTA INK TANK CLI-126 M	CONSUMABLES
		NPN		1	YELLOW INK TANK CLI-126 Y	CONSUMABLES
		NPN		1	BLACK INK TANK CLI-126 BK	CONSUMABLES
	4	NPN		1	BLACK INK TANK PGI-525 PGBK	CONSUMABLES
		NPN		1	CYAN INK TANK CLI-526 C	CONSUMABLES
		NPN		1	MAGENTA INK TANK CLI-526 M	CONSUMABLES
		NPN		1	YELLOW INK TANK CLI-526 Y	CONSUMABLES
		NPN		1	BLACK INK TANK CLI-526 BK	CONSUMABLES
	5	NPN		1	BLACK INK TANK PGI-425 PGBK	CONSUMABLES
		NPN		1	CYAN INK TANK CLI-426 C	CONSUMABLES
		NPN		1	MAGENTA INK TANK CLI-426 M	CONSUMABLES
		NPN		1	YELLOW INK TANK CLI-426 Y	CONSUMABLES
		NPN		1	BLACK INK TANK CLI-426 BK	CONSUMABLES
	6	NPN		1	BLACK INK TANK PGI-725 PGBK	CONSUMABLES
		NPN		1	CYAN INK TANK CLI-726 C	CONSUMABLES
		NPN		1	MAGENTA INK TANK CLI-726 M	CONSUMABLES
		NPN		1	YELLOW INK TANK CLI-726 Y	CONSUMABLES
		NPN		1	BLACK INK TANK CLI-726 BK	CONSUMABLES
	7	NPN		1	BLACK INK TANK PGI-825 PGBK	CONSUMABLES
		NPN		1	CYAN INK TANK CLI-826 C	CONSUMABLES
		NPN		1	MAGENTA INK TANK CLI-826 M	CONSUMABLES
		NPN		1	YELLOW INK TANK CLI-826 Y	CONSUMABLES
		NPN		1	BLACK INK TANK CLI-826 BK	CONSUMABLES

# D. SCREW & WASHER LIST

[Contents](#)[NUMERICAL INDEX](#)

FIGURE & KEY No.		PART NUMBER	RANK	QTY	DESCRIPTION	REMARKS
S-	1	XB4-7300-809		1	SCREW, TAP, BINDING HEAD, M3X8	
	2	XB4-7300-805		1	SCREW, TP, BH3X8	
	3	XB1-2300-405		1	SCREW, MACH.BH, M3X4	
	4	XA9-1752-000		1	SCREW, TAP, WASHER HEAD, M3X12	
	5	XA9-1915-000		1	SCREW, SPRING W WASHER M3X10	
	6	XB1-2300-805		1	SCREW, M3X8	
	7	XA9-1783-000		1	SCREW, BINDING HEAD M2.6X3.5	
	8	XB4-7200-805		1	SCREW, M2X8	
	9	XA9-1892-000		1	SCREW, TAP, P WASHER, M3X8	

**This page intentionally left blank**

**FIGURE 14 TOOL**



FIGURE & KEY No.		PART NUMBER	RANK	QTY	DESCRIPTION	REMARKS
T-	1	QY9-0057-000		1	LUBE, FLOIL KG107A, OIL	

# F. NUMERICAL INDEX

Contents

ILLUSTRATION INDEX

PART NUMBER	FIGURE & KEY No.		DESCRIPTION	PART NUMBER	FIGURE & KEY No.		DESCRIPTION
QA4-1117-000	1-	5	TRAY, CD SUB	QC3-4625-000	1-	6	SHEET, PANEL
QC1-6202-000	10-	7	SPRING, COIL	QC3-4626-000	1-	6	SHEET, PANEL
QC1-6457-000	7-	14	FOOT, RUBBER	QC3-4638-000	4-	3	SHEET, DOCUMENT PRESSURE
QC2-7483-000	12-	4	TUBE, INK	QC3-4642-000	7-	9	CASE, BOTTOM
QC2-7490-000	8-	15	COVER, GAP	QC3-4643-000	3-	6	LABEL, PRODUCT NAME, MG5210
QC2-7526-000	11-	3	BELT, PAPER FEED	QC3-4644-000	8-	19	GUIDE, WIRELESS LAN CABLE
QC2-7528-000	10-	9	SPRING, TORSION	QC3-4646-000	3-	6	LABEL, PRODUCT NAME, MG5220
QC2-7529-000	7-	11	CASSETTE RAIL L	QC3-4647-000	3-	6	LABEL, PRODUCT NAME, MG5230
QC2-7533-000	7-	4	PAPER SEPARATION KNURL	QC3-4648-000	3-	6	LABEL, PRODUCT NAME, MG5240
QC2-7534-000	7-	3	PAPER SEPARATION SLOPE	QC3-4649-000	3-	6	LABEL, PRODUCT NAME, MG5250
QC2-7652-000	12-	6	GEAR, APP CODEWHEEL	QC3-4650-000	3-	6	LABEL, PRODUCT NAME, MG5270
QC2-7654-000	7-	8	GEAR, PICK UP SHAFT	QC3-4651-000	3-	6	LABEL, PRODUCT NAME, MG5280
QC2-7657-000	9-	5	SPRING, COIL	QC3-4870-000	11-	5	BUSHING, PAPER FEED ROLLER
QC2-7678-000	8-	14	ARM, RELEASE	QC3-5524-000	10-	1	SPRING, COIL
QC2-7682-000	12-	12	GEAR, IDLER	QH2-2716-000	1-	3	CORD, POWER
QC2-7699-000	9-	3	GUIDE, CASSETTE FEED	QH2-2719-000	1-	3	CORD, POWER
QC2-7716-000	7-	7	FLAPPER, DUPLEX PAPER FEED	QH2-2721-000	1-	3	CORD, POWER
QC2-7739-000	10-	4	HOLDER, CARRIAGE CABLE	QK1-0776-000	1-	3	CORD, POWER
QC2-7743-000	9-	6	SPRING, COIL	QK1-1500-000	10-	8	MOTOR, CARRIAGE
QC2-7745-000	11-	1	SPRING, COIL	QK1-1675-000	1-	3	CORD, POWER
QC2-7782-000	11-	2	SPRING, COIL	QK1-2017-000	1-	3	CORD, POWER
QC2-7787-000	12-	1	SPRING, COIL	QK1-3048-000	1-	3	CORD, POWER
QC2-9212-000	12-	3	TUBE, INK JOINT	QK1-3761-000	1-	3	CORD, POWER
QC2-9216-000	12-	15	SPRING, LEAF	QK1-3849-000	12-	10	MOTOR, PAPER FEED
QC2-9226-000	12-	7	FILM, TIMING SLIT DISK APP	QK1-4990-000	8-	10	CABLE, LF ENCODER
QC2-9232-000	11-	10	GUIDE, INNER	QK1-5600-000	8-	1	CABLE, CARD SLOT
QC2-9235-000	10-	5	COVER, CARRIAGE CABLE	QK1-5773-000	2-	1	AC ADAPTER: 100V-240V 50/60HZ
QC2-9282-000	7-	6	COVER, DC HARNESS ASS'Y	QK1-5862-000	2-	1	AC ADAPTER: 100V-240V 50/60HZ
QC2-9287-000	7-	13	SHEET, ANTISTATIC	QK1-6636-000	8-	2	CABLE, PICTBRIDGE
QC3-1220-000	8-	3	HOLDER, CORE	QK1-6638-000	8-	11	CABLE, PANEL
QC3-3925-000	11-	6	FILM, TIMING SLIT DISK FEED	QK1-6646-000	8-	18	CABLE, WIRELESS LAN
QC3-3926-000	11-	11	FILM, TIMING SLIT DISK EJECT	QK1-6648-000	8-	9	CABLE, PE SENSOR
QC3-3927-000	10-	2	FILM, TIMING SLIT STRIP	QK1-6780-000	5-	6	PANEL CABLE ASS'Y
QC3-4548-000	3-	9	TOP COVER, OPERATION REAR	QK1-6782-000	5-	2	LCD CABLE ASS'Y
QC3-4569-000	5-	4	HINGE, LCD L	QL2-2531-000	1-	4	CDR TRAY ASS'Y
QC3-4570-000	5-	5	HINGE, LCD R	QL2-2534-000	10-	6	PULLEY HOLDER UNIT
QC3-4578-000	6-	2	CASE, MAIN	QL2-3253-000	11-	4	PAPER FEED ROLLER UNIT
QC3-4587-000	4-	2	HINGE	QL2-3484-000	9-	2	CASSETTE FEED ROLLER UNIT
QC3-4594-000	8-	4	PANEL, CARD	QL2-3485-000	9-	7	DUPLEX PAPER FEED ROLLER UNIT
QC3-4607-000	3-	7	STAY, SCANNER	QM3-3640-000	7-	11	CASSETTE RAIL R UNIT
QC3-4610-000	11-	8	ABSORBER, INK	QM3-3739-000	7-	1	FRONT DOOR LINK UNIT
QC3-4615-000	3-	1	EMBLEM	QM3-4410-000	12-	11	PAPER FEED MOTOR HARNESS ASS'Y
QC3-4616-000	3-	1	EMBLEM	QM3-4411-000	12-	13	TIMING SENSOR UNIT
QC3-4617-000	3-	8	COVER, OPERATION PANEL	QM3-4762-000	6-	1	REAR GUIDE UNIT
QC3-4618-000	3-	8	COVER, OPERATION PANEL	QM3-5495-000	9-	1	ASF UNIT
QC3-4619-000	3-	8	COVER, OPERATION PANEL	QM3-5519-000	6-	4	SUB CASE UNIT
QC3-4620-000	3-	8	COVER, OPERATION PANEL	QM3-6316-000	10-	10	PRESSURE ROLLER UNIT
QC3-4621-000	3-	8	COVER, OPERATION PANEL	QM3-6793-000	12-	5	PURGE MOTOR UNIT
QC3-4622-000	3-	8	COVER, OPERATION PANEL	QM3-6794-000	7-	12	PICK UP ARM UNIT
QC3-4623-000	3-	10	WINDOW, WIRELESS LAN LED	QM3-6814-000	9-	4	PAPER GUIDE UNIT

PART NUMBER	FIGURE & KEY No.		DESCRIPTION
QM3-7358-000	3-	3	ASF COVER UNIT
QM3-7359-000	6-	3	FRONT DOOR UNIT
QM3-7360-000	3-	5	SIDE COVER L UNIT
QM3-7361-000	3-	4	SIDE COVER R UNIT
QM3-7362-000	1-	1	CASSETTE UNIT
QM3-7364-000	5-	3	LCD UNIT
QM3-7378-000	11-	9	SPUR UNIT
QM3-7380-000	3-	2	SCANNER UNIT
QM3-7381-000	4-	1	DOCUMENT COVER UNIT
QM3-7383-000	5-	1	OPERATION PANEL UNIT
QM3-7387-000	8-	13	INNER COVER UNIT
QM3-7396-000	11-	7	PLATEN UNIT
QM3-7404-000	12-	2	PURGE DRIVE SYSTEM UNIT
QM3-7408-000	8-	7	LOGIC BOARD ASS'Y
QM3-7410-000	12-	9	SWITCH SYSTEM UNIT
QM3-7412-000	10-	3	CARRIAGE UNIT
QM3-7416-000	8-	6	PICTBRIDGE BOARD UNIT
QM3-7426-000	8-	5	CARD BOARD ASS'Y
QM3-7427-000	7-	5	DC HARNESS ASS'Y
QM3-7429-000	12-	8	MOTOR MULTI HARNESS ASS'Y
QM3-7436-000	12-	14	GND HARNESS ASS'Y
QM3-7447-000	8-	8	PE SENSOR BOARD ASS'Y
QM3-7500-000	8-	17	WIRELESS LAN BOARD ASS'Y
QY5-0293-000	7-	2	ABSORBER KIT
QY6-0080-000	1-	2	PRINT HEAD
WE8-6719-000	8-	12	CORE, RING
WE8-6741-000	8-	20	CORE, RING
WE8-6742-000	8-	16	CORE, RING
XA9-1752-000	S-	4	SCREW, TAP, WASHER HEAD, M3X12
XA9-1783-000	S-	7	SCREW, BINDING HEAD M2.6X3.5
XA9-1892-000	S-	9	SCREW, TAP, P WASHER, M3X8
XA9-1915-000	S-	5	SCREW, SPRING W WASHER M3X10
XB1-2300-405	S-	3	SCREW, MACH.BH, M3X4
XB1-2300-805	S-	6	SCREW, M3X8
XB4-7200-805	S-	8	SCREW, M2X8
XB4-7300-805	S-	2	SCREW, TP, BH3X8
XB4-7300-809	S-	1	SCREW, TAP, BINDING HEAD, M3X8