

MG72 Hybrid Groomer

# MG72 Hybrid Multi Groomer

## MG72 Hybrid Groomer

Electric Lift

*A Multi Purpose,  
Convertible, Easy to Use  
Machine That Makes  
Your Job Easier!*

**Converts** (without needing tools) **from  
Infield Grooming Attachments to  
Turf Attachments** in Seconds.



# MG72 Hybrid Multi Groomer

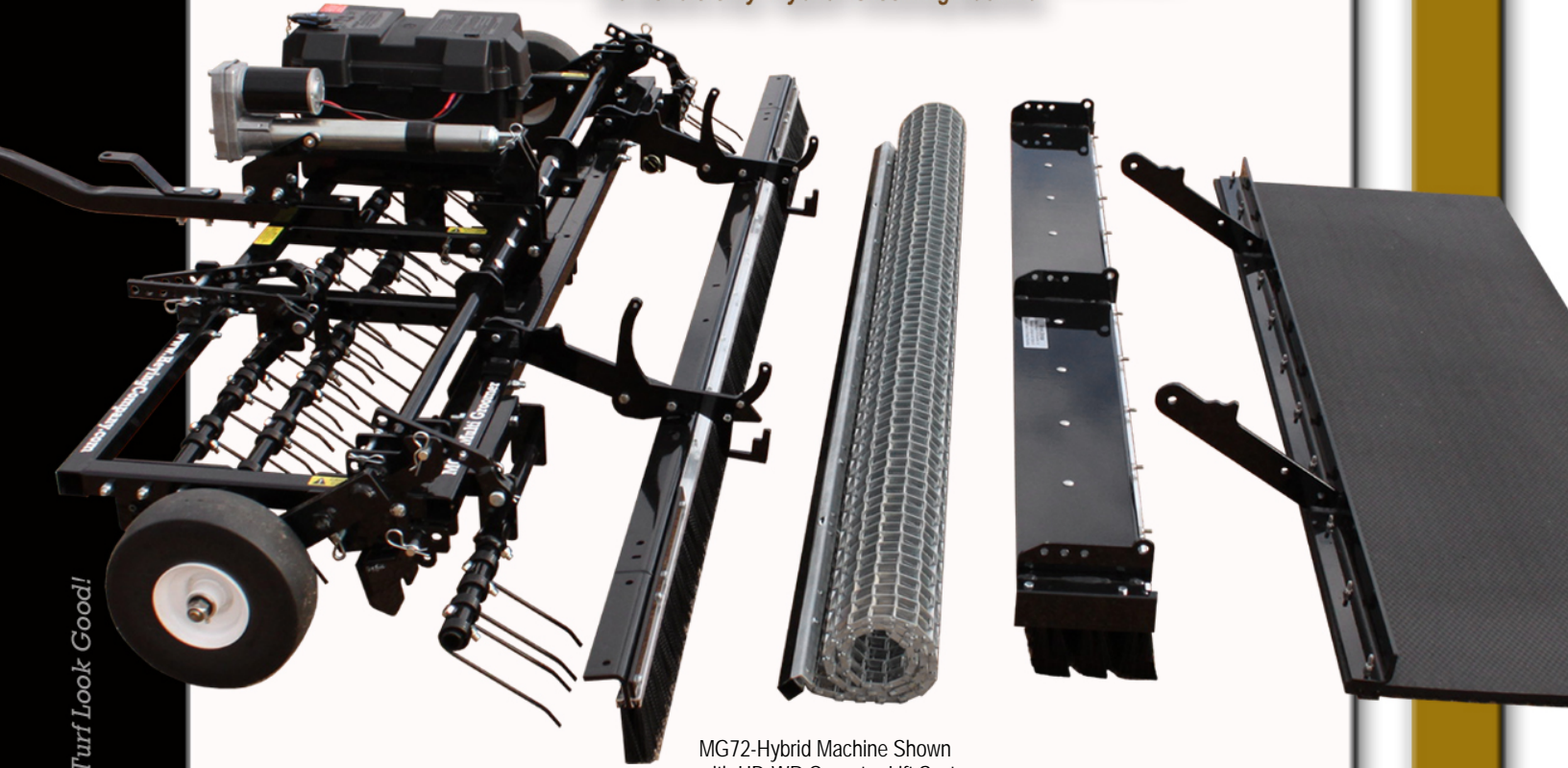
Choose the "Lift Control System"  
that's best for you!



Operator  
"Lift Control  
Systems"  
Available:

We Offer the Most Complete Line of  
"Operator Lift Control Systems" on the Market!

**Converts quickly from Infield Grooming Attachments to Turf Attachments!**  
**The World's Only "Hybrid" Grooming Machine.**



MG72-Hybrid Machine Shown  
with HD-WR Operator Lift System

Patent Pending

We Make Dirt and Turf Look Good!

**Heying** company

Heying Company Alton, Iowa 51003  
Ph. 712.756.8847 Fax 712.756.8849 [www.HeyingCompany.com](http://www.HeyingCompany.com) *Made in USA*

Copyright Heying Enterprises. Information shall not be copied or retransmitted without permission. Patent Pending

We Make Dirt &  
Turf Look Good!

# 8 Operator Lift Control Systems MG72

4 lift systems available with "st" Standard Duty Actuator

4 lift systems available with "hd" Heavy Duty Actuator

Corresponding Machine  
Model No.

Standard Duty Cylinder



"st" Cylinder Speed  
Full stroke obtained in  
16 seconds

MG72-E-GT-tt-st-hw



**st-hw**

Standard Duty 12v Electric Cylinder (Actuator)  
Hard-Wired to Tow Machine  
Dash-Mounted Rocker Switch Control

MG72-E-GT-tt-st-sb



**st-sb**

Standard Duty 12v Electric Cylinder (Actuator)  
Corded Switch Box with Rocker Switch Control  
and 2 Extension Wires

MG72-E-GT-tt-st-wr



**st-wr**

Standard Duty 12v Electric Cylinder (Actuator)  
Complete On-Board 12v Electric System  
and Wireless Remote Control

MG72-E-GT-tt-st-du

"wr" and "sb"

**st-du**

Dual Remote Control. Get both "wr" and "sb"  
Lift Control Systems & Standard Duty Cylinder

Heavy Duty Cylinder



"hd" Cylinder Speed  
Full stroke obtained in  
8 seconds (2x faster)

MG72-E-GT-tt-hd-hw



**hd-hw**

Heavy Duty 12v Electric Cylinder (Actuator)  
Hard-Wired to Tow Machine  
Dash-Mounted Rocker Switch Control

MG72-E-GT-tt-hd-sb



**hd-sb**

Heavy Duty 12v Electric Cylinder (Actuator)  
Corded Switch Box with Rocker  
Switch Control & Extension Wires

MG72-E-GT-tt-hd-wr



**hd-wr**

Heavy Duty 12v Electric Cylinder (Actuator)  
Complete On-Board 12v Electric System  
and Wireless Remote Control

MG72-E-GT-tt-hd-du

"wr" and "sb"

**hd-du**

Dual Remote Control. Get both "wr" and "sb"  
Lift Control Systems & Heavy Duty Cylinder



# MG72 Hybrid Multi Groomer

**A Multi Purpose,  
Convertible,  
Easy to Use  
Machine That Makes  
Your Job Easier!**

## MG72 Hybrid Groomer Electric Lift

**Converts (without needing tools) from  
Infield Grooming Attachments to  
Turf Attachments in Seconds.**



Lift System Shown -

**hd** Heavy Duty **WR** Wireless Remote

**Model No. — MG72-E-HY-tt-hd-wr**

Operator "Lift Control Systems" Available for this machine: —



Operator  
"Lift Control  
Systems"  
Available:

### Hybrid MG72 Multi Groomer.

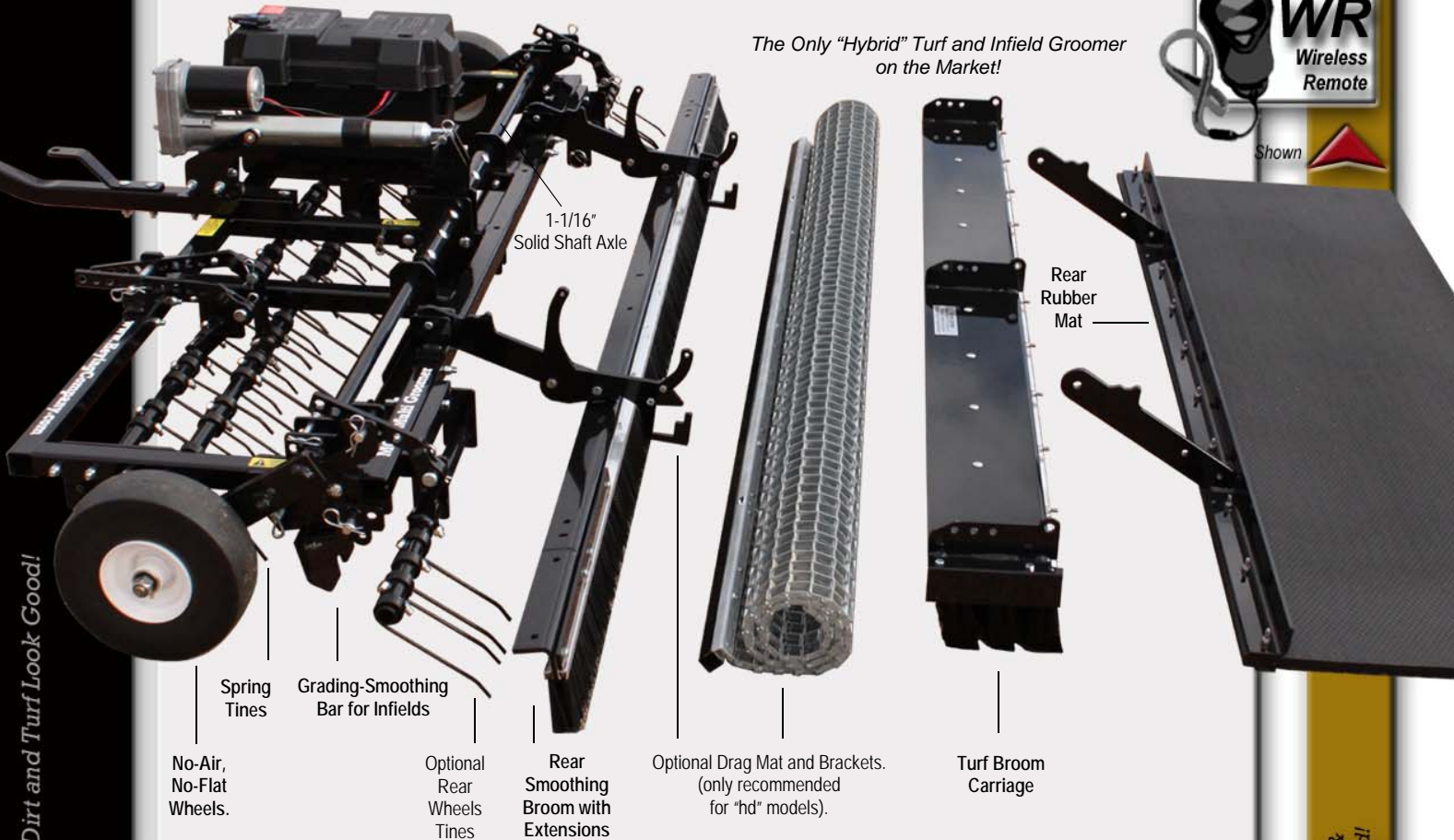
For customers who have Turf Maintenance needs and Infield Maintenance needs we offer the only "hybrid" groomer on the market. This one-of-a-kind machine includes the front Spring Tines, and all standard implements from the MG-IN (Infield) model (Grading-Smoothing Bar and Rear Smoothing Broom with Extensions), plus all standard implements of the GT (Golf-Turf) model (Turf Broom Carriage and Rear Rubber Mat).

Shown below with "hd-WR" Complete "On-Board" Lift Control System.

Heavy Duty **hd**  
Electric Cylinder  
**WR**  
Wireless Remote

Shown

The Only "Hybrid" Turf and Infield Groomer  
on the Market!



No-Air,  
No-Flat  
Wheels.

Spring  
Tines

Grading-Smoothing  
Bar for Infields

Optional  
Rear  
Wheels  
Tines

Rear  
Smoothing  
Broom with  
Extensions

Optional Drag Mat and Brackets.  
(only recommended  
for "hd" models).

Turf Broom  
Carriage

Rear  
Rubber  
Mat

Over 90% of Assembly completed at the factory! Compare to many other machines that require extensive assembly in the field.

Patent Pending

## Machine Options    MG72-E-Hybrid Machines

<p><b>MGCP-1875</b> (1-7/8")</p>	<p><b>MGWT-2020</b></p>	<p><b>ALDM-7236</b></p>	<p><b>ALWP-1212</b></p>	<p><b>ALSB-1212</b> (HD Machines)</p>
<p><b>MGCP-2000</b> (2")</p>	<p><b>Rear Wheel Tines</b> Useful when grooming artificial turf, de-thatching, etc. Mount behind each wheel. Independently adjustable to different settings.</p>	<p><b>ALDM-7238</b></p>	<p><b>Additional "hw" wiring package</b> When you order a "hw" machine it ships with a complete wiring package to wire one tow machine and the groomer. If you wish to wire an additional tow machine to operate the groomer you can order this option. It includes all necessary wiring to wire one additional tow machine to accept the connection from the groomer.</p>	<p><b>MGSB-1414</b> (ST Machines)</p>
<p><b>Ball Coupler Hitch</b>  1-7/8" or 2" Coupler sizes available. Easily mounts to end of tongue.</p>		<p><b>ALDM-8436</b></p>		<p><b>"sb" Switch Box Control System</b> If you order a "sb" machine this option may not be relative because it already comes with a "sb" control system.  For all other lift systems this "sb" can be used as a backup system. For example, the "hw" system is "hard-wired" to one specific towing machine. In this case you may wish to have a backup operator system in case the towing machine that is wired for the groomer is not functional. This option also useful as a backup for the "wr" system in the case of a dead battery, lost transmitter, etc.  Also see the "du" Dual Remote machines.</p>
		<p><b>Drag Mat</b> This option only recommended for "HD" machines. (Not recommended for "st" machines). Steel Drag Mats useful when grooming infields among other uses. Three choices of widths. All are 36" Deep behind machine. Option is complete with Brackets and Hardware to hold, pull and carry the drag mat behind the machine.</p> 		

See following pages for details  
all of the "Operator Lift Control Systems".

*We offer the Most Complete Line of Operator Lift Control Systems on the Market!*



*Choose the Operator Lift Control System that's Best for You!*



## "st-hw" Hard-Wired Operator Lift Control System (12v only)

Incorporates what we call a hard-wired electric lift system that utilizes the user's tow machine 12 volt battery to supply power to the electric lift on the groomer. This operator system includes all the necessary wiring, in-dash mountable rocker switch, electric cylinder (actuator), fuse holder, fuse, wire, connectors, protective wire sleeve (split loom), cable clamps, and zip ties. Requires wiring assembly to user tow machine.

*For users who have a tow machine with a dash panel that will accept a Rocker Switch, who want the convenience of a dash mounted rocker switch, and who want to always use the same tow machine to pull and operate the groomer this is the operator system of choice.*

**Note:** Optional additional wiring package available for users who wish to wire more than one tow machine to pull and operate the groomer. See optional "hw" tow machine wiring package information.

"st" Cylinder Speed  
Full stroke obtained  
in 16 seconds.  
  
Want faster?  
See "HD"  
Lift System.



"st" Standard Duty 12v Electric  
Cylinder (Actuator)  
Model Number: MG72-E-st-hw

### Advantages:

Lower Cost

The rocker switch control is direct-wired to the tow machine so it's always available on the tow machine dash.

Easy to use connectors at the groomer tongue and rear of tow machine.

No dead battery to worry about on the groomer. Although it is possible to drain the tow machine battery faster than normal with this system.

Don't have to worry about charging and maintaining a 12 volt battery system on the groomer.

### Disadvantages:

Wiring assembly necessary to user tow machine.

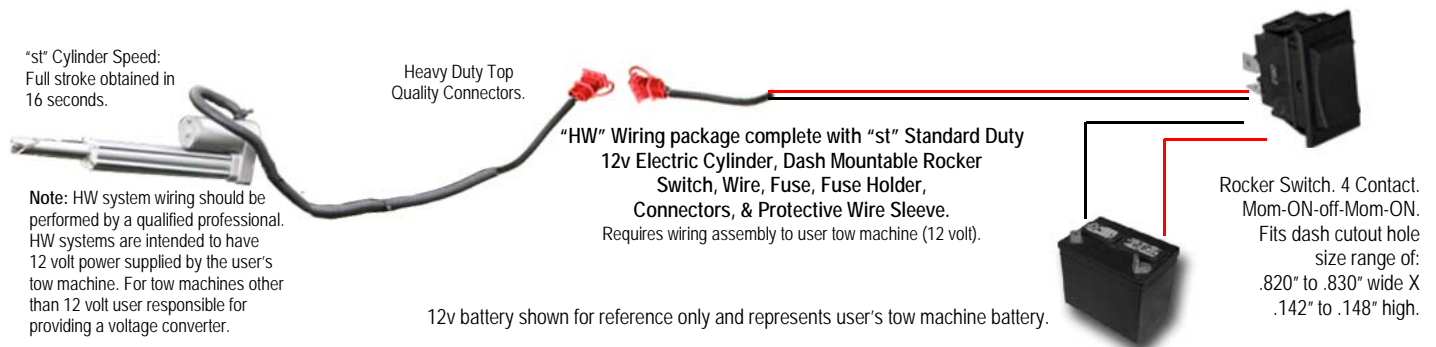
A single tow machine is dedicated pull-operate the groomer unless optional wiring packages are installed on additional tow machines. See options.

**"hw" Lift System available with two different Actuators (Different Duty Ratings) for the MG72 Groomer:**

**"st" Standard Duty 12v Electric Cylinder (Actuator) Model Number: MG72-E-st-hw**

Also Compare the heavy duty actuator "hw" system

**"hd" Heavy Duty 12v Electric Cylinder (Actuator) Model Number: MG72-E-hd-hw**





# "st-sb" Switch Box Corded Control with Rocker Switch and 2 Extension Wires (12v only)

Incorporates a hand held corded "sb" switch box controller that connects to the user's tow machine 12 volt battery (with alligator clips) to supply power to the electric lift on the groomer. This lift control system can be easily moved from one tow machine to another which makes it portable. The switch box includes 8 ft. fused power wires with alligator clips for easy battery connection. The switch box also includes a cylinder control stub wire, with sealed connector, where the user connects either the 10 ft. or 18 ft. long cylinder extension wire to control the electric cylinder (actuator). The 18 ft. length extension wire is popular with customers who have gator type tow machines, or UTVs, Toro Trucks, etc. The 10 ft. length extension wire is popular with customers who have shorter tow machines such as garden tractors, ATVs, etc.

*Can be used as a primary (everyday) lift control system, or, as an optional backup to other operator lift control systems.*

"st" Cylinder Speed  
Full stroke obtained  
in 16 seconds.

Want faster?  
See "HD"  
Lift System.



"st" Standard Duty  
12v Electric Cylinder (Actuator)

Model Number: MG72-E-st-sb

## Advantages:

Lower Cost

Versatility to quickly switch to a different tow machine (control system is portable).

Two "Cylinder Extension Wires" included (18 ft. and 10 ft.) so the user can decide which works best for their use.

Ability to be used as a primary (everyday) lift control system or as a backup to other operator lift control systems (use when needed).

No dead battery to worry about on the groomer. Although it is possible to drain the tow machine battery faster than normal with this system.

Don't have to worry about charging and maintaining a 12 volt battery system on the groomer.

## Disadvantages:

Inconvenience of having cords. Must pay constant attention to protecting the cords during use.

**"sb" Lift System available with two different Actuators (Different Duty Ratings) for the MG72 Groomer:**

**"st" Standard Duty 12v Electric Cylinder (Actuator)    Model Number: MG72-E-st-sb**

Also Compare the heavy duty actuator "sb" system

**"hd" Heavy Duty 12v Electric Cylinder (Actuator)    Model Number: MG72-E-hd-sb**

# Wireless Remote System is Our Most Popular

## "st-wr" Wireless Remote Control with complete On-Board 12v Electric System

This "wr" wireless remote operator control system provides the ultimate in user ease and flexibility. The complete on-board electric lift system includes a 12 volt electric cylinder (actuator), deep cell battery, our specially designed and completely sealed wireless remote control transmitter and receiver, an on-board trickle charge battery charger that is safe to be plugged in whenever the groomer is not being used, our specially designed on-board battery monitor that alerts the user when the 12v battery needs to be charged, metal battery tray, plastic battery compartment, sealed connectors, and lanyard.

*Unlike anything else on the market.*

"st" Cylinder Speed  
Full stroke obtained  
in 16 seconds.

Want faster?  
See "HD"  
Lift System.



"st" Standard Duty 12v Electric Cylinder (Actuator)  
Model Number: MG72-E-st-wr



Wireless Remote Control.

Includes an  
on-board trickle  
charge battery  
charger.



Includes our "one-of-a-kind"  
battery monitor.

No other company offers this type of complete on-board 12v electric lift system with wireless remote control. It is a "one-of-a-kind" operator lift control system...only by Heying Company!

### Advantages:

Wireless Remote Control - the Ultimate in user convenience.

The wireless remote control system has immediate response when a button is pressed. It never goes to sleep like many other wireless systems. Pull with a variety of tow machines. Can quickly switch from one tow machine to another. On-board electric system is completely self contained. On-board trickle charge battery charger has safe technology so it can (and should) be plugged in whenever the groomer is not being used.

Keeping the 12v battery charged means it is always ready when needed and helps achieve the full life potential of the battery.

On-board battery monitor emits an audible alert when the battery needs to be charged.

No wiring needed to user tow machine.

No Cords.

### Disadvantages:

Higher Cost

User must plug in the battery charger (simply use a standard 120 volt extension cord) to maintain the on-board 12v battery. If you are not able or willing to plug in the charger when the groomer is not being used (to keep the battery charged) then consider a different control system.

"wr" Lift System available with two different Actuators (Different Duty Ratings) for the MG72 Groomer:

"st" Standard Duty 12v Electric Cylinder (Actuator) Model Number: MG72-E-st-wr

Also Compare the heavy duty actuator "wr" system

"hd" Heavy Duty 12v Electric Cylinder (Actuator) Model Number: MG72-E-hd-wr



# "st-du" Dual Remote Control Operator Lift System

Wireless (wr) Remote Control + Corded (sb) Switch Box Control

*Get the best of both: Wireless Remote Control & Backup Corded Switch Box Control.*

*For customers who want the ease and flexibility of the "wr" wireless remote control system but also want a backup control system in case they misplace their wireless transmitter, have a dead battery, etc. we include a "sb" switch box control system so they can temporarily override the on-board wr system and provide battery power directly from their tow machine to operate the groomer..... it's called "du" Dual Remote Control.*

This "wr" wireless remote operator control system includes the complete on-board electric lift system with 12 volt electric cylinder (actuator), deep cell battery, our specially designed and completely sealed wireless remote control transmitter and receiver, an on-board trickle charge battery charger that is safe to be plugged in whenever the groomer is not being used, our specially designed on-board battery monitor that alerts the user when battery voltage has dropped to an unsafe level, metal battery tray, plastic battery compartment, sealed connectors, and lanyard.

The "sb" corded switch box system includes a switch box controller that connects to the user's tow machine 12 volt battery with alligator clips to supply power to the electric lift on the groomer. This lift control system can be easily moved from one tow machine to another which makes it portable. The switch box includes 8 ft. fused power wires with alligator clips for easy battery connection. The switch box also includes a cylinder control stub wire, with sealed connector, where user connects either the 10 ft. or 18 ft. long cylinder extension wire to control the electric cylinder (actuator). This lift control system can be used as a primary (everyday) lift control system, or, as an optional backup to other lift control systems.



+



= st-du

"st" Cylinder Speed  
Full stroke obtained in 16 seconds.

Want faster? See "HD"  
Lift System.

## "st-du" Dual Remote Control System

Includes a Standard Duty Electric Actuator and combines the "wr" Wireless Remote Control with the "sb" Switch Box Control.

<p>Complete On-Board 12v Electric System contained in a plastic battery case, with Wireless Remote Control.</p>		<p>Includes an on-board trickle charge battery charger.</p>		<p>Includes our "one-of-a-kind" battery monitor.</p>		<p>No other company offers this type of complete on-board 12v electric lift system with wireless remote control. It is a "one-of-a-kind" operator lift control system....only by Heying Company!</p>
---	--	---	--	--	--	--

### Advantages:

Combines the advantages of the "wr" Wireless Remote Control system with it's ease of use and convenience with a backup "sb" Switch Box Control system to be used only when needed.

The wireless remote control system has immediate response when a button is pressed. It never goes to sleep like many other wireless systems.

Both the "wr" and the "sb" allow the user to easily switch from one tow machine to another to pull and operate the groomer.

On-board electric system is completely self contained.

On-board trickle charge battery charger has safe technology so it can (and should) be plugged in whenever the groomer is not being used.

Keeping the 12v battery charged means it is always ready when needed and helps achieve the full life potential of the battery.

On-board battery monitor emits an audible alert when the battery needs to be charged.

No wiring needed to user tow machine.

### Disadvantages:

Higher Cost

User must plug in the battery charger (simply use a standard 120 volt extension cord) to maintain the on-board 12v battery.

"du" Lift System available with two different Actuators (Different Duty Ratings) for the MG72 Groomer:

"st" Standard Duty 12v Electric Cylinder (Actuator) Model Number: **MG72-E-st-du**

Also Compare the heavy duty actuator "du" system

"hd" Heavy Duty 12v Electric Cylinder (Actuator) Model Number: **MG72-E-hd-du**





# "hd-hw" Hard-Wired Operator Lift Control System (12v only)

Incorporates what we call a hard-wired electric lift system that utilizes the user's tow machine 12 volt battery to supply power to the electric lift on the groomer. This operator system includes all the necessary wiring, in-dash mountable rocker switch, electric cylinder (actuator), fuse holder, fuse, wire, connectors, protective wire sleeve (split loom), cable clamps, and zip ties. Requires wiring assembly to user tow machine.

***For users who have a tow machine with a dash panel that will accept a Rocker Switch, who want the convenience of a dash mounted rocker switch, and who want to always use the same tow machine to pull and operate the groomer this is the operator system of choice.***

**Note:** Optional additional wiring package available for users who wish to wire more than one tow machine to pull and operate the groomer. See optional "hw" tow machine wiring package information.

"hd" Cylinder Speed  
Full stroke obtained in  
8 seconds (2x faster)



**"hd" Heavy Duty  
12v Electric Cylinder (Actuator)**

**Model Number: MG72-E-hd-hw**

**Advantages:**

Lower Cost

The rocker switch control is direct-wired to the tow machine so it's always available on the tow machine dash.

Easy to use connectors at the groomer tongue and rear of tow machine.

No dead battery to worry about on the groomer. Although it is possible to drain the tow machine battery faster than normal with this system.

Don't have to worry about charging and maintaining a 12 volt battery system on the groomer.

**Disadvantages:**

Wiring assembly necessary to user tow machine.

A single tow machine is dedicated pull-operate the groomer unless optional wiring packages are installed on additional tow machines. See options.

**"hw" Lift System available with two different Actuators (Different Duty Ratings) for the MG72 Groomer:**

**"hd" Heavy Duty 12v Electric Cylinder (Actuator)      Model Number: MG72-E-hd-hw**

Also Available in "st" standard duty version

**"st" Standard Duty 12v Electric Cylinder (Actuator)      Model Number: MG72-E-st-hw**

"hd" Cylinder Speed:  
Full stroke obtained in  
8 seconds. 2x faster.

**Note:** HW system wiring should be performed by a qualified professional. HW systems are intended to have 12 volt power supplied by the user's tow machine. For tow machines other than 12 volt user responsible for providing a voltage converter.

Heavy Duty Top  
Quality Connectors.

**"HW" Wiring package complete with "hd" Heavy Duty  
12v Electric Cylinder, Dash Mountable Rocker Switch,  
Wire, Fuse, Fuse Holder, Connectors, & Protective Wire Sleeve.  
Requires wiring assembly to user tow machine (12 volt).**

**Advantages of "hd" Cylinder:**  
1) Faster Cylinder Speed (2x faster).  
2) Drag Mat option can be added.....  
(only recommended on machines with the hd cylinder).

12v battery shown  
for reference only  
and represents  
user's tow machine battery.

Rocker Switch. 4 Contact.  
Mom-ON-off-Mom-ON.  
Fits dash cutout hole  
size range of:  
.820" to .830" wide X  
.142" to .148" high.



## "hd-sb" Switch Box Corded Control with Rocker Switch and 2 Extension Wires (12v only)

Incorporates a hand held corded "sb" switch box controller that connects to the user's tow machine 12 volt battery (with alligator clips) to supply power to the electric lift on the groomer. This lift control system can be easily moved from one tow machine to another which makes it portable. The switch box includes 8 ft. fused power wires with alligator clips for easy battery connection. The switch box also includes a cylinder control stub wire, with sealed connector, where the user connects either the 10 ft. or 18 ft. long cylinder extension wire to control the electric cylinder (actuator). The 18 ft. length extension wire is popular with customers who have gator type tow machines, or UTVs, Toro Trucks, etc. The 10 ft. length extension wire is popular with customers who have shorter tow machines such as garden tractors, ATVs, etc.

*Can be used as a primary (everyday) lift control system, or, as an optional backup to other operator lift control systems.*

"hd" Cylinder Speed  
Full stroke obtained in  
8 seconds (2x faster)



**"hd" Heavy Duty**  
12v Electric Cylinder (Actuator)

Model Number: **MG72-E-hd-sb**

### Advantages:

Lower Cost

Versatility to quickly switch to a different tow machine (control system is portable).

Two "Cylinder Extension Wires" included (18 ft. and 10 ft.) so the user can decide which works best for their use.

Ability to be used as a primary (everyday) lift control system or as a backup to other operator lift control systems (use when needed).

No dead battery to worry about on the groomer. Although it is possible to drain the tow machine battery faster than normal with this system.

Don't have to worry about charging and maintaining a 12 volt battery system on the groomer.

### Disadvantages:

Inconvenience of having cords. Must pay constant attention to protecting the cords during use.

**"sb" Lift System available with two different Actuators (Different Duty Ratings) for the MG72 Groomer:**

**"hd" Heavy Duty 12v Electric Cylinder (Actuator)      Model Number: MG72-E-hd-sb**

Also Available in "st" standard duty version

**"st" Standard Duty 12v Electric Cylinder (Actuator)      Model Number: MG72-E-st-sb**

# Wireless Remote System is Our Most Popular

## “hd-wr” Wireless Remote Control with complete On-Board 12v Electric System

This “wr” wireless remote operator control system provides the ultimate in user ease and flexibility. The complete on-board electric lift system includes a 12 volt electric cylinder (actuator), deep cell battery, our specially designed and completely sealed wireless remote control transmitter and receiver, an on-board trickle charge battery charger that is safe to be plugged in whenever the groomer is not being used, our specially designed on-board battery monitor that alerts the user when the 12v battery needs to be charged, metal battery tray, plastic battery compartment, sealed connectors, and lanyard.

*Unlike anything else on the market.*

“hd” Cylinder Speed Full stroke obtained in 8 seconds (2x faster than the st cylinder)



### “hd” Heavy Duty 12v Electric Cylinder (Actuator) Model Number: MG72-E-hd-wr



Includes an on-board trickle charge battery charger.

Includes our “one-of-a-kind” battery monitor.

No other company offers this type of complete on-board 12v electric lift system with wireless remote control. It is a “one-of-a-kind” operator lift control system....only by Heying Company!

**Advantages:**

- Wireless Remote Control - the Ultimate in user convenience.
- The wireless remote control system has immediate response when a button is pressed. It never goes to sleep like many other wireless systems.
- Pull with a variety of tow machines. Can quickly switch from one tow machine to another. On-board electric system is completely self contained.
- On-board trickle charge battery charger has safe technology so it can (and should) be plugged in whenever the groomer is not being used.
- Keeping the 12v battery charged means it is always ready when needed and helps achieve the full life potential of the battery.
- On-board battery monitor emits an audible alert when the battery needs to be charged.
- No wiring needed to user tow machine.
- No Cords.

**Disadvantages:**

- Higher Cost
- User must plug in the battery charger (simply use a standard 120 volt extension cord) to maintain the on-board 12v battery. If you are not able or willing to plug in the charger when the groomer is not being used (to keep the battery charged) then consider a different control system.

**“wr” Lift System available with two different Actuators (Different Duty Ratings) for the MG72 Groomer:**

“hd” Heavy Duty 12v Electric Cylinder (Actuator)    Model Number: MG72-E-hd-wr

Also Available in “st” standard duty version

“st” Standard Duty 12v Electric Cylinder (Actuator)    Model Number: MG72-E-st-wr



*Copyright Heying Enterprises. Information shall not be copied or retransmitted without permission. Patent Pending*



# "hd-du" Dual Remote Control Operator Lift System

Wireless (wr) Remote Control + Corded (sb) Switch Box Control

*Get the best of both: Wireless Remote Control & Backup Corded Switch Box Control.*

*For customers who want the ease and flexibility of the "wr" wireless remote control system but also want a backup control system in case they misplace their wireless transmitter, have a dead battery, etc. we include a "sb" switch box control system so they can temporarily override the on-board wr system and provide battery power directly from their tow machine to operate the groomer..... it's called "du" Dual Remote Control.*

This "wr" wireless remote operator control system includes the complete on-board electric lift system with 12 volt electric cylinder (actuator), deep cell battery, our specially designed and completely sealed wireless remote control transmitter and receiver, an on-board trickle charge battery charger that is safe to be plugged in whenever the groomer is not being used, our specially designed on-board battery monitor that alerts the user when battery voltage has dropped to an unsafe level, metal battery tray, plastic battery compartment, sealed connectors, and lanyard.

The "sb" corded switch box system includes a switch box controller that connects to the user's tow machine 12 volt battery with alligator clips to supply power to the electric lift on the groomer. This lift control system can be easily moved from one tow machine to another which makes it portable. The switch box includes 8 ft. fused power wires with alligator clips for easy battery connection. The switch box also includes a cylinder control stub wire, with sealed connector, where user connects either the 10 ft. or 18 ft. long cylinder extension wire to control the electric cylinder (actuator). This lift control system can be used as a primary (everyday) lift control system, or, as an optional backup to other lift control systems.



"hd-wr"



"hd-sb"

+

= **hd-du**

"hd" Cylinder Speed  
Full stroke obtained in  
8 seconds (2x faster)

**"hd-du" Dual Remote Control System**  
Includes a Heavy Duty Electric Actuator and combines the "wr" Wireless Remote Control with the "sb" Switch Box Control.

"hd" Heavy Duty 12v Electric Cylinder (Actuator) Model Number: **MG72-E-hd-du**

<p>Complete On-Board 12v Electric System contained in a plastic battery case, with Wireless Remote Control.</p>		<p>Includes an on-board trickle charge battery charger.</p>	<p>Includes our "one-of-a-kind" battery monitor.</p>	<p>No other company offers this type of complete on-board 12v electric lift system with wireless remote control. It is a "one-of-a-kind" operator lift control system....only by Heying Company!</p>
---	--	---	--	--

### Advantages:

Combines the advantages of the "wr" Wireless Remote Control system with it's ease of use and convenience with a backup "sb" Switch Box Control system to be used only when needed.

The wireless remote control system has immediate response when a button is pressed. It never goes to sleep like many other wireless systems.

Both the "wr" and the "sb" allow the user to easily switch from one tow machine to another to pull and operate the groomer.

On-board electric system is completely self contained.

On-board trickle charge battery charger has safe technology so it can (and should) be plugged in whenever the groomer is not being used.

Keeping the 12v battery charged means it is always ready when needed and helps achieve the full life potential of the battery.

On-board battery monitor emits an audible alert when the battery needs to be charged.

No wiring needed to user tow machine.

### Disadvantages:

Higher Cost

User must plug in the battery charger (simply use a standard 120 volt extension cord) to maintain the on-board 12v battery.

**"du" Lift System available with two different Actuators (Different Duty Ratings) for the MG72 Groomer:**

"hd" Heavy Duty 12v Electric Cylinder (Actuator) Model Number: **MG72-E-hd-du**

Also Available in "st" standard duty version

"st" Standard Duty 12v Electric Cylinder (Actuator) Model Number: **MG72-E-st-du**

