

MICROCHANNEL HEAT EXCHANGER IOM

REPLACEMENT COIL FOR YORK YLAA & YVAA CHILLERS

MICROCHANNEL HEAT EXCHANGER INSTALLATION GUIDELINES



MICROCHANNEL HEAT EXCHANGER IOM

REPLACEMENT COIL FOR YORK YLAA & YVAA CHILLERS

INTRODUCTION

Evapco Alcoil replacement condenser coils are an alternative for York brand chillers, specifically for the York YLAA, and York YVAA. These replacement coils are designed as near perfect drop-in, with higher quality, longer life construction and Epoxy coated for improved corrosion protection.

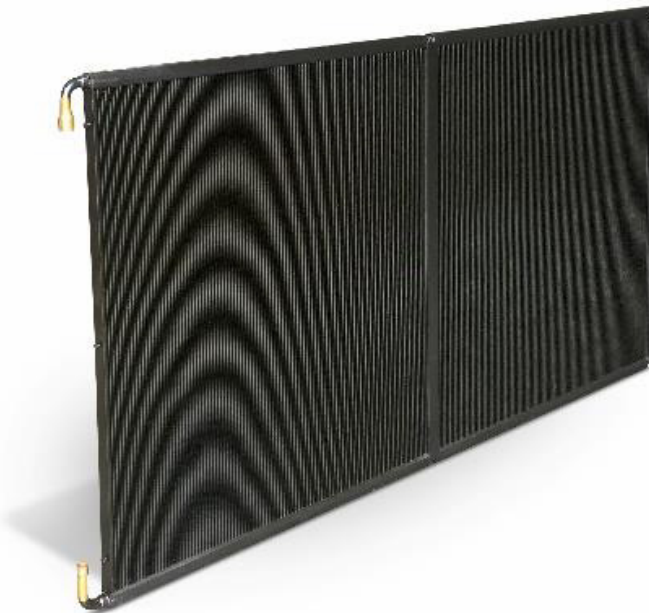
The Evapco Alcoil 2C40.7x45.25x.83V-17C16-R4034C is designed as an alternative replacement coil for:

- Microchannel coils manufactured by Sanhua and others for York
- Fin/Tube coils manufactured by York

What's Different?

There are several important Evapco Alcoil features, based on field experience that make the design more robust and easier to install. These features allow the contractor and end user to replace damaged or failed condenser coils with an alternative solution, upgraded for longer life and to restore the York chiller to operating condition.

- Non-Automotive, industrial design with 25-30% Thicker tube walls
- Epoxy Coating for superior corrosion protection
- Lower Refrigerant Pressure drop for improved operation and oil return
- Built-in Mini-receiver (in lower header) to make it easier to charge
- Equivalent Design & Performance



Notice to Installer & User:

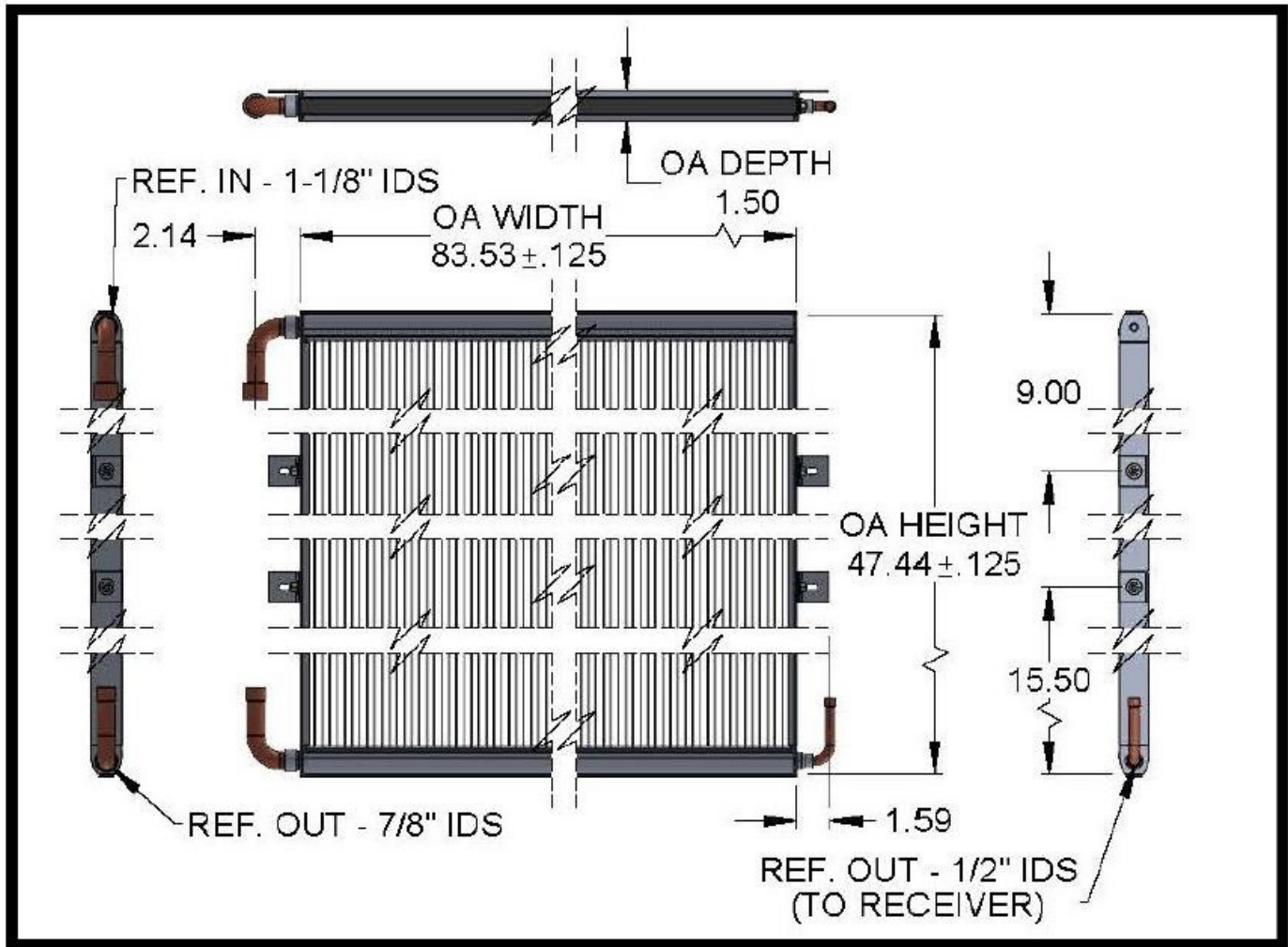
Evapco Alcoil is a major U.S. manufacturer of Microchannel coils for the HVAC/R industry and provides coils to the replacement market and to OEM's other than York. Evapco Alcoil alternative replacement coils have not been endorsed by York as a factory authorized part. All coil replacements should be performed by a trained and qualified HVAC/R Service Technician. Proper installation, procedures, handling of refrigerants, startup and operation of the equipment is the responsibility of the installing contractor and end user.

Note: York YLAA and YVAA are registered trademarks of Johnson Controls Inc.

MICROCHANNEL HEAT EXCHANGER IOM

REPLACEMENT COIL FOR YORK YLAA & YVAA CHILLERS

PRODUCT DRAWING



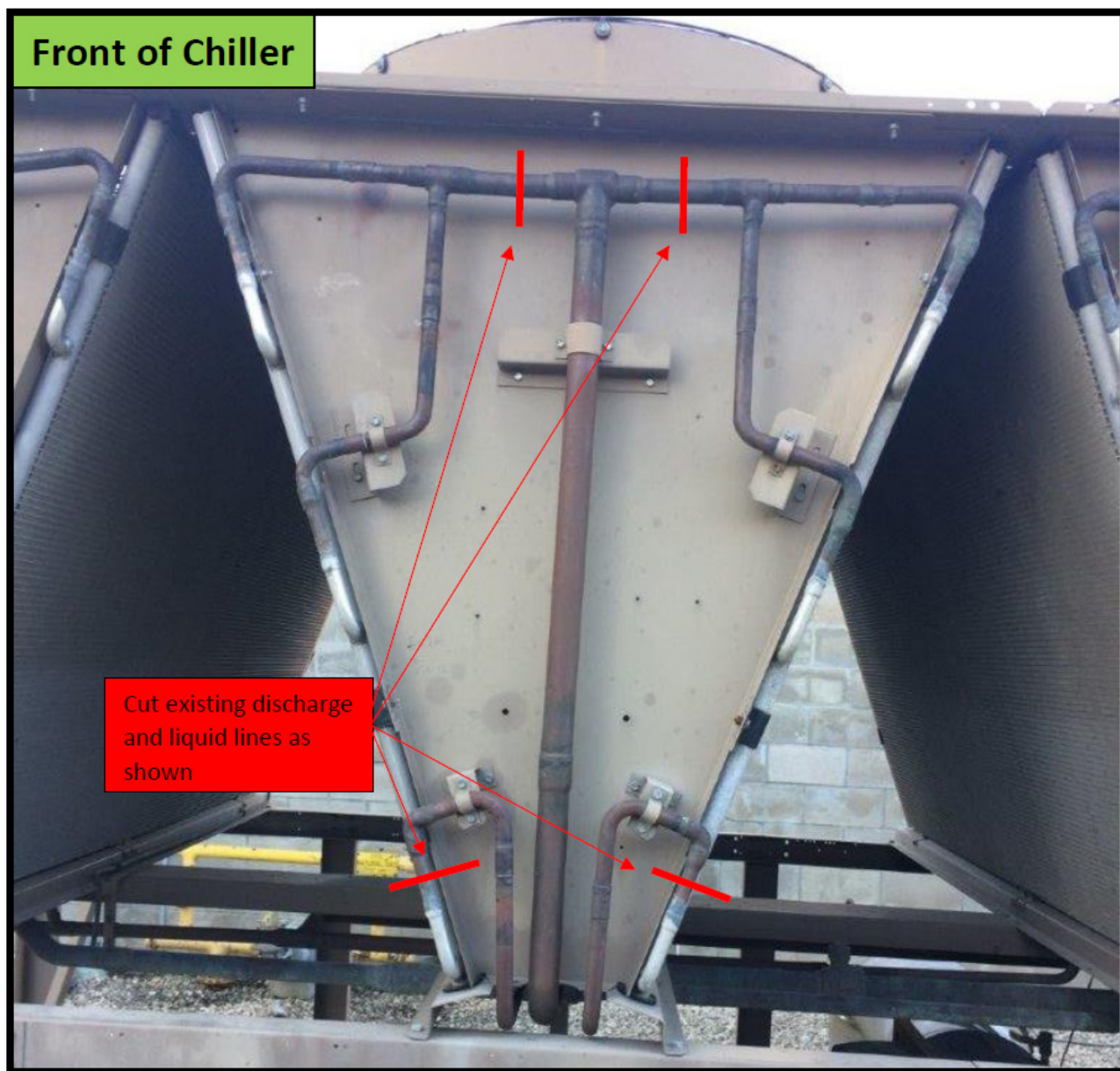
Model: 2C40.7x45.25x.83V-17C16-R4034C (Epoxy Coated)

MICROCHANNEL HEAT EXCHANGER IOM

REPLACEMENT COIL FOR YORK YLAA & YVAA CHILLERS

INTRODUCTION

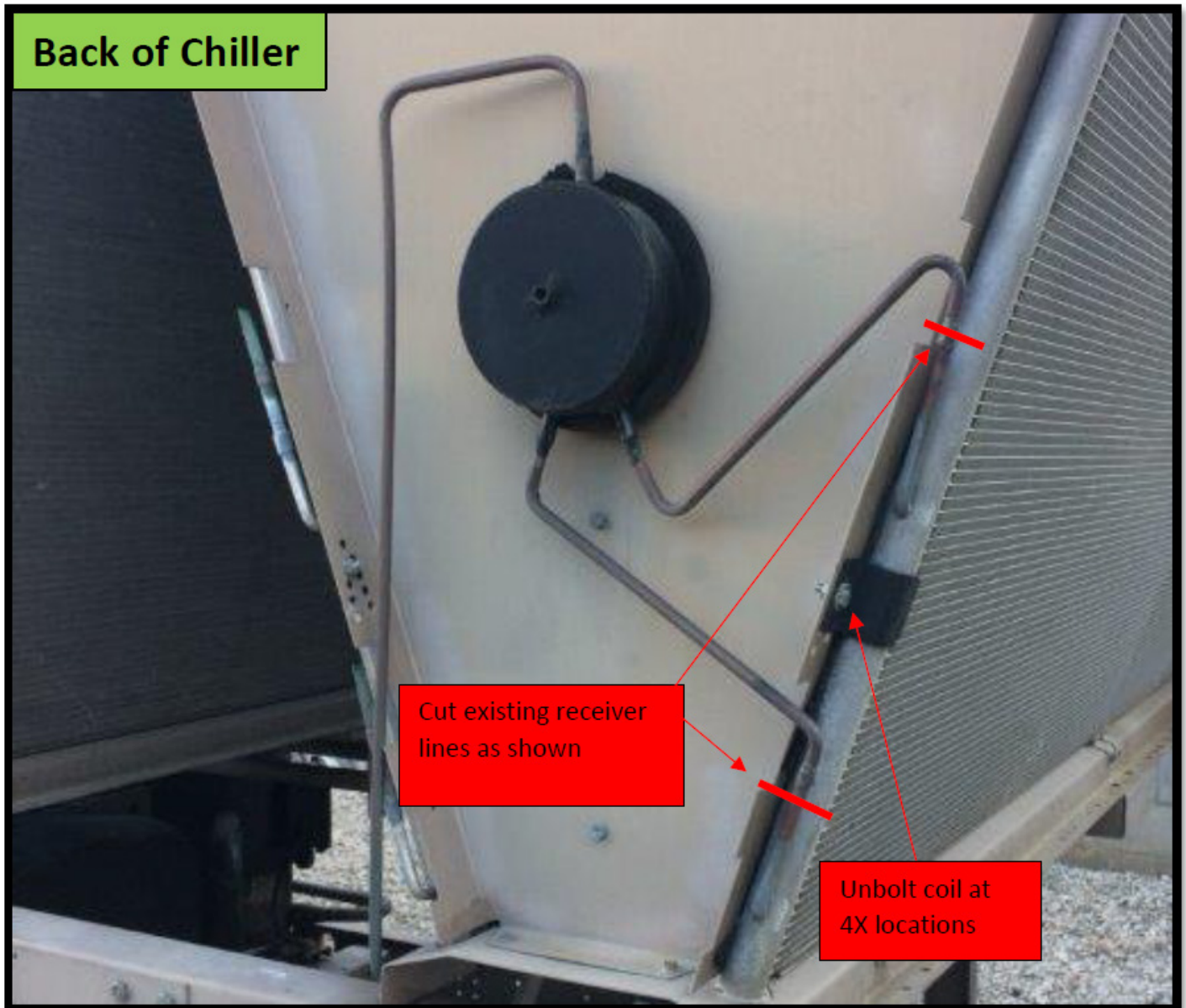
1. Remove existing coil(s) using standard industry practices and in accordance with refrigerant recovery regulations.
2. Cut existing discharge, liquid, at the positions shown in the images below.



MICROCHANNEL HEAT EXCHANGER IOM

REPLACEMENT COIL FOR YORK YLAA & YVAA CHILLERS

3. Cut existing receiver lines, at the positions shown in the images below.
4. Unbolt coil at 4X locations, remove coil. This is a two person lift.



MICROCHANNEL HEAT EXCHANGER IOM

REPLACEMENT COIL FOR YORK YLAA & YVAA CHILLERS

5. Lift new coil into place. Use existing hardware to fasten coil at 4X locations. Use care to not damage coil face while handling. Lift the coil by the headers only. DO NOT lift the coil by the copper connections!!
6. Each coil is shipped with 10-15 PSI nitrogen. Remove rubber charge plugs while listening to discharge of nitrogen. If the coil is no longer holding charge, contact the factory.
7. Connect 1-1/8" discharge line to single 1-1/8" coil inlet connection (top.)
8. Connect 7/8" Liquid line to 7/8" coil connection (bottom.)
9. Solder copper connections using Silver solder or Phos-Copper method. Use wet rag on Al side of connections to protect the Al/Cu joint from overheating and damage to the Al/Cu joint.



MICROCHANNEL HEAT EXCHANGER IOM

REPLACEMENT COIL FOR YORK YLAA & YVAA CHILLERS

10. Connect 3/8" receiver lines (where applicable) to coil rear 1/2" connection. Where there is no receiver, solder a 1/2" Cap on rear coil connection.
11. Solder copper connections using Silver solder or Phos-Copper method. Use wet rag on Al side of connections to protect the Al/Cu joint from overheating and damage to the Al/Cu joint.
12. Leak check all connections. Re-charge the system using the original OEM's recommended refrigerant charge quantity, then adjust using site glass (minimal bubbles) and sub-cooling at 5F to 10F.



MICROCHANNEL HEAT EXCHANGER IOM

REPLACEMENT COIL FOR YORK YLAA & YVAA CHILLERS

MAINTENANCE & CARE

Routine inspection and general cleaning of the Microchannel coil(s) is required for proper life expectancy and to maintain warranty status.

1. Inspection and general cleaning is recommended quarterly, or more frequently depending upon install location, debris and scale build up, both visible and microscopic.
2. Coil Cleaning. Coils may exhibit a build-up of dirt, grass, ragweed and many other airborne contaminants. Avoid pushing or driving materials deeper into the coil while cleaning. Use a soft bristle brush and/or a shop vac to remove as much debris as possible from the surface of the coil. If necessary, wash the face of the coil using a pressure washer with a maximum pressure of 900 psi at the spray tip. This should be done at a distance of 8"-16" and in the direction of the fin stock.

Followup by applying commercial cleaner approved for MicroChannel coils and rinsing the coil with water depending on the cleaner instructions and manufacturer's recommendations

Installations with exposure to salt air:

Apply CHLOR*RID DTS directly onto the substrate. Sufficient product must be applied uniformly across the substrate to thoroughly wet the surface, with no areas missed. This may be accomplished by various methods such as airless sprayer, roller, brush, pump-up sprayer, or conventional spray gun. The method does not matter if the entire area to be cleaned is wetted. For most applications, an application rate of approximately 300 sq. ft. per gallon is satisfactory. After the substrate has been thoroughly wetted, the salts will have been solubilized and now it is necessary to rinse them off. It is highly recommended that a pressure washer, max pressure 900 psi to be used for the rinse off step, but a hose may be used if a pressure washer is not available. The water to be used for the rinse is recommended to be of potable quality. A dilution ratio of 50:1 is recommended for potable water, dependent upon water quality. Follow MSDS Safety Precautions prior to use.

3. Repairs. If the coil face becomes moderately damaged, the coil fins can be manually adjusted with a dental pick. If a tube is cut or breached, causing a leak, in most cases, the tube can be repaired using "RED EPOXY" brand repair kit, available from most local refrigeration wholesalers. DO NOT attempt a coil repair using tin, zinc or other solders, since these will not work or bond

MICROCHANNEL HEAT EXCHANGER IOM

REPLACEMENT COIL FOR YORK YLAA & YVAA CHILLERS



5 YEAR EXPRESS WARRANTY

Applies to EVAPCO Alcoi® heat exchanger product models.

MANUFACTURER'S EXPRESS WARRANTY

EVAPCO Alcoi warrants the unit identified above against failure caused by defects in materials and workmanship for five (5) years from the date of shipment by EVAPCO Alcoi. This warranty includes all structural components, tubes, fins, headers and connections. **Labor costs associated with any repair work performed under the terms of the warranty are NOT included within the warranty.** Damage caused by misuse of the product, including without limitation failure to properly install or maintain the product, is NOT covered by the warranty.

In addition to the unit warranty above, EVAPCO Alcoi warrants the thermal performance of the unit as shown on the certified drawings delivered to the customer for a period of one-year from the date installation is completed in accordance with good engineering practices, but in no event shall such warranty period exceed eighteen (18) months from the date the unit is shipped by EVAPCO Alcoi. If after installation and start-up there is any question regarding thermal performance of the equipment, at the owner's request EVAPCO Alcoi will send its engineers to the jobsite to conduct a performance test. This test may be observed by the owner and the consulting engineer or by their authorized representatives. If the results of the evaluation show the equipment to be deficient, EVAPCO Alcoi will make the necessary repairs or alterations to correct the deficiency subject to the limitations set forth below. If the equipment is found to be performing in accordance with its certified capacity, the owner will reimburse EVAPCO Alcoi for all direct expenses incurred in connection with such performance test.

EXCLUSIONS

The above warranty shall not apply to any product that has been modified or repaired contrary to EVAPCO Alcoi recommendations or generally accepted practices or procedures in the industry, or operated under conditions which may cause product failure. EVAPCO Alcoi shall not be responsible for any costs associated with the product damage, loss or replacement due to freeze-up, improper water treatment, improper cleaning, fluid chemistry exceeding EVAPCO Alcoi's recommendations, clogging and debris, fouling, corrosion, galvanic induced corrosion, vibration, thermal cycling, hydraulic shock, overpressurization, compressor failure, system contamination, loss of protective coating (where applied) and any other operating or system condition which may cause product failure.

LIMITATION OF LIABILITY

THE SOLE REMEDY FOR BREACH OF THE EXPRESS WARRANTIES DESCRIBED HEREIN SHALL BE REPAIR OR REPLACEMENT OF THE EQUIPMENT BY EVAPCO ALCOIL, OR REFUNDING THE PURCHASE PRICE SET FORTH ON THE PURCHASE ORDER. IT SHALL BE IN EVAPCO ALCOIL'S SOLE DISCRETION AS TO WHETHER REPAIR, REPLACEMENT OR REFUND IS THE OFFERED REMEDY. IF EVAPCO ALCOIL DECIDES TO MAKE REPAIRS, EVAPCO ALCOIL HAS THE OPTION OF COMPLETING ALL NECESSARY REPAIRS ITSELF, OR AUTHORIZING A THIRD PARTY TO PERFORM SUCH REPAIRS AT EVAPCO ALCOIL'S EXPENSE. EVAPCO ALCOIL IS NOT RESPONSIBLE FOR ANY REPAIR WORK PERFORMED BY A THIRD PARTY THAT EVAPCO DID NOT PRE-APPROVE IN WRITING. EVAPCO IS ONLY RESPONSIBLE FOR COSTS THAT PERTAIN TO REPAIR OR REPLACEMENT OF EQUIPMENT SUPPLIED BY EVAPCO (i.e., EVAPCO ALCOIL IS NOT RESPONSIBLE FOR REPLACEMENT OR MODIFICATION OF PIPING OR "IN AND OUT" COSTS SUCH AS THIRD PARTY LABOR, CRANE OR OTHER EQUIPMENT FEES).

NOTWITHSTANDING ANYTHING ELSE IN THIS DOCUMENT, EVAPCO ALCOIL'S LIABILITY OF ANY KIND WHATSOEVER SHALL NOT EXCEED THE PURCHASE PRICE SET FORTH ON THE PURCHASE ORDER. UNDER NO CIRCUMSTANCES SHALL EVAPCO ALCOIL BE LIABLE FOR LOST PROFITS, LOST SAVINGS, PERSONAL INJURIES, INCIDENTAL DAMAGES, ECONOMIC LOSS, REFRIGERANT LOSS, PRODUCT LOSS, PROPERTY DAMAGE, OR ANY OTHER CONSEQUENTIAL, INDIRECT, INCIDENTAL, OR PUNITIVE DAMAGES, EVEN IF EVAPCO ALCOIL HAS BEEN ADVISED OF THE POSSIBILITY OF SUCH DAMAGES. In addition, EVAPCO Alcoi shall not be responsible for any injuries or damages of any kind whatsoever under any theory of tort to the extent the injuries or damage are caused by misuse of the product by buyer or any third party.

DISCLAIMER OF IMPLIED WARRANTIES

OTHER THAN THE EXPRESS MANUFACTURER'S WARRANTY DESCRIBED HEREIN, THE UNIT IS SOLD "AS IS" AND THERE ARE NO OTHER WARRANTIES. EVAPCO ALCOIL HEREBY DISCLAIMS AND EXCLUDES ALL IMPLIED WARRANTIES OF ANY KIND WHATSOEVER, INCLUDING WITHOUT LIMITATION WARRANTIES OF MERCHANTABILITY, THAT THE UNIT IS FIT FOR A PARTICULAR USE OR PURPOSE, THAT THE UNIT IS FIT FOR A PARTICULAR APPLICATION OR ENVIRONMENT, AND ANY WARRANTIES THAT MIGHT OTHERWISE ARISE OUT OF A COURSE OF DEALING BETWEEN THE PARTIES OR USAGE OF TRADE.