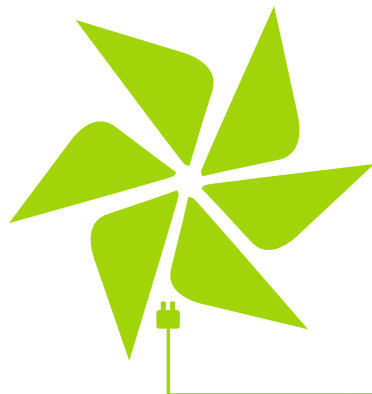




Mining



DRIVING TOWARDS A GREENER FUTURE
PRODUCING YOUR DRIVESHAFT WITH
RENEWABLE ENERGY

CONTENTS

Page Number	Page Title
1	Cat Reman Driveshafts
2	Cat Driveline Components
3	Cat Spline Comparisons
4	Cat Underground Loaders R2900, R1700 & R1300
5	Rear Driveshaft Service Exchange R2900
6	Cat Underground Replacement Drivelines AD45/45B
7	Cat Underground Replacement Drivelines AD55/55B
8	Atlas Copco Replacement Drivelines MT5010 & MT6020
9	Atlas Copco Scooptram Drivelines ST1520
10	Atlas Copco Coaltram Drivelines CT10 & CT13
11	Toro Replacement Drivelines
12	CT10 and CT16 Compressors
13	Axle Division
14	Bell B40C/B35C
15	Bell B40D/B35D & Hitachi AH400
16	Bell B50D & Hitachi AH500
17	Komatsu Driveshafts & Universal Joints
18	LV Toyota Components



CATERPILLAR

REMAN DRIVESHAFTS

Driveshafts Australia now offer remanufactured driveshafts for your Caterpillar fleet

NEW PART NUMBER	REMAN PART NUMBER	VEHICLE MODEL	LOCATION
172-5232	172-5232R	777/B/C/D/E	Middle
8X-0473	8X-0473R	785C	Middle
8X-0465	8X-0465R	789C	Middle
8X0433	8X0433R	793C	Main
303-2504	303-2504R	793F	Main
107-5007	107-5007R	980G/GII/H	Middle
201-7245	201-7245R	988G/H	Middle
168-1915	168-1915R	992C/D & 994/D/F	Middle
168-1916	168-1916R	992G/K	Middle
201-0450	201-0450R	R1300G	Middle
9DE9342	9DE9342R	R1700G	Centre

Driveshafts Australia MRB1089
37 Chisholm Crescent, Kewdale WA 6105
Ph: 9359 4444 Fax: 9359 4455

74 Great Eastern Hwy, Kalgoorlie WA
1800 DSA KAL [1800 372 525]



CATERPILLAR

DRIVELINE COMPONENTS

MODEL	COMPONENT	PART No.
773	Main Driveshaft (No Universal Joints) Universal Joint (Includes Bolts)	9D3520 9V7710
777	Main Driveshaft (No Universal Joints) Universal Joint (Includes Bolts)	2G4080 2G4157
785	Main Driveshaft (No Universal Joints) Universal Joint (Includes Bolts) Main Driveshaft with Bolts and Universal Joints	314-7816 8X0432 314-7812
789	Main Driveshaft (No Universal Joints) Universal Joint (Includes Bolts) Main Driveshaft with Bolts and Universal Joints	8X0465 8X0432 314-7810
793	Main Driveshaft (No Universal Joints) Universal Joint (Includes Bolts) Main Driveshaft with Bolts and Universal Joints	8X0433 8X0432 314-7807
793F	Main Driveshaft Universal Joint (Includes Bolts)	303-2504 150-8355
992C	Main Driveshaft (No Universal Joints) Universal Joint (Includes Bolts)	2V4778 2V4444
992D	Main Driveshaft (No Universal Joints) Universal Joint (Includes Bolts)	112-4881 9C3101
992G	Main Driveshaft (No Universal Joints) Universal Joint (Includes Bolts) Main Shaft assembly inc bolts Front Shaft Rear Shaft	146-4251 8R7036 168-1916 130-2374 130-2372
994	Main Driveshaft Universal Joint (Includes Bolts) Front Shaft Rear Shaft	168-1915 8X0432 112-6547 252-5660
988G	Shaft Assembly	201-7245
990	Shaft Assembly	168-1914
992K	Centre Shaft Front shaft Rear Shaft	168-1916 130-2374 130-2372
993K	Centre Shaft Front Shaft Rear Shaft	253-4606 253-4608 253-4604

Pump Driveshafts Available for 992, 993 and 994



CATERPILLAR SPLINE COMPARISONS



Original
Equipment
Design



130 mm

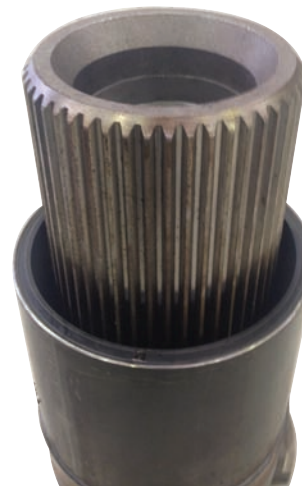


Superior
Design

Old Dust Cap
Seal
Design



New Superior
Sealing
Design



Complete shaft assembly showing fully enclosed splines.

Driveshafts Australia MRB1089
37 Chisholm Crescent, Kewdale WA 6105
Ph: 9359 4444 Fax: 9359 4455

74 Great Eastern Hwy, Kalgoorlie WA
1800 DSA KAL [1800 372 525]



R2900 R1700 R1300

CAT UNDERGROUND LOADERS NOW AVAILABLE



PART NUMBER	R2900 G	DESCRIPTION
4E0752		Front Shaft
9EL4037 / 275-5526		Centre Hitch Shaft
9EP4695 / 174-3508		Rear Shaft
9EL4844 / 173-7566		High Speed Shaft
6H2577		Spider & Bearing 1147126
9V7710		Spider & Bearing 1149016
8V1540		Spider & Bearing 11410011
PART NUMBER	R1700	DESCRIPTION
6W4789		Front Shaft
9EQ7290 / 9DE9342 / 1800299		Centre Hitch Shaft
9DE9782		Rear Shaft
9EL2357 / 1868770		High Speed Shaft
7G9555		Spider & Bearing 1146128
9V7710		Spider & Bearing 1149016
8V1540		Spider & Bearing 11410011
PART NUMBER	R1300 G	DESCRIPTION
201-0450		Centre Hitch Shaft
201-0450		Upper Shaft
186-8999		Front Shaft
186-9000		Rear Shaft
2V-7153		Spider & Bearing

Driveshafts Australia MRB1089
37 Chisholm Crescent, Kewdale WA 6105
Ph: 9359 4444 Fax: 9359 4455

74 Great Eastern Hwy, Kalgoorlie WA
1800 DSA KAL [1800 372 525]



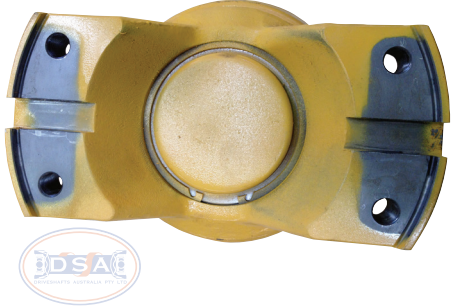
REAR DRIVESHAFT

R2900

9EP4695DSA [174-3508DSA]

SERVICE EXCHANGE

**Does your remote 2900 break rear drivelines?
Our R.D department has found the problem.**



Now Available complete shaft assemblies that include:

- [1] 9EP4695[174-3508]**
- [2] 9v7710 Universals**
- [16] 9v3811 Bolts**
- [1] 300-9829 Yoke**
- [1] 171-3941 Yoke**

This will eliminate the issue with the bolts breaking and damaging the transfers. The yoke faces are fully refurbished so the torque is transferred through the key on the face of the universal joint and not through the bolts.

Once the key wears the universal joint slides from side to side as the loader travels from forward to reverse, this then loosens the bolts and makes the problem worse.

This pattern continues until the bolts break, so replacing the shaft or the universals and bolts is only repairing half of the problem and will result in a possible failure

We now offer a full change out thus avoiding costly down time.

Driveshafts Australia MRB1089
37 Chisholm Crescent, Kewdale WA 6105
Ph: 9359 4444 Fax: 9359 4455

74 Great Eastern Hwy, Kalgoorlie WA
1800 DSA KAL [1800 372 525]



CAT UNDERGROUND REPLACEMENT DRIVELINES

AD45 AD45B

Driveshafts Australia keep a comprehensive inventory of replacement driveshafts and driveline parts of CAT articulated dump trucks on-shelf ready to go.



OEM	SUITS	DESCRIPTION
AD45 187-3383	AD45/45B	High Speed Shaft Upper
AD45B 255-1573		High Speed Shaft Upper
259-7167		Transmission Rear Shaft (AD45 & 45B)
AD45B 207-2116 / 6DE8968		Front Shaft
AD45B 209-8849 / 6DE9910		Articulation Shaft
AD45 7U-2258		Articulation Shaft
8V-1540		Spider & Bearing Assembly
9V-7710		Spider & Bearing Assembly
8D-7719		Spider & Bearing Assembly

Driveshafts Australia MRB1089

37 Chisholm Crescent, Kewdale WA 6105

Ph: 9359 4444 Fax: 9359 4455

74 Great Eastern Hwy, Kalgoorlie WA

1800 DSA KAL [1800 372 525]



CAT UNDERGROUND REPLACEMENT DRIVELINES

AD55 AD55B

Driveshafts Australia keep a comprehensive inventory of replacement driveshafts and driveline parts of CAT articulated dump trucks on-shelf ready to go.



OEM	SUITS AD55/55B	DESCRIPTION
3048717 6EL5858		High Speed Shaft
AD55B 304-8717		High Speed Shaft
2072116 6DE8968		Transmission Front Shaft
207-2123		Centre Shaft Twin Bearing
207-2125		Transmission Rear Shaft (AD55)
209-8849 6DE9910		Articulation Shaft
8V-1540		Spider & Bearing Assembly
9V-7710		Spider & Bearing Assembly
8D-7719		Spider & Bearing Assembly
2072123 211-1854		C/B Shaft less BEaring & Yokes

Driveshafts Australia MRB1089

37 Chisholm Crescent, Kewdale WA 6105

Ph: 9359 4444 Fax: 9359 4455

74 Great Eastern Hwy, Kalgoorlie WA

1800 DSA KAL [1800 372 525]



REPLACEMENT DRIVELINES

Driveshafts Australia keep a comprehensive inventory of replacement driveshafts and driveline parts for most makes and models of Atlas Copco articulated dumpers, including the MT5010 and MT6020, on-shelf and ready to go

OEM	SUITS MT5010	DESCRIPTION
5573096000		Front Axle
5573096100		Artic Midship
5575096600		Rear Axle
5574749900		HS Upper
5573096200		Centre Bearing Middle
5541020800		UJ Bearing (1 End h/speed only)
5541171300		UJ Bearing (all other positions)
5541023400		D-type Bearing
5541171400		Bearing, Flange

OEM	SUITS MT6020	DESCRIPTION
5590001285		Front Axle (Kessler Diffs)
5573096000		Front Axle
5573096100		Artic Midship
5575096600		Rear Axle
5574749900		HS Upper
5573096200		Centre Bearing Middle
5541020800		UJ Bearing (h/speed only)
5541171300		UJ Bearing (all other positions)
5541023400		D-type Bearing
5541171400		Bearing, Flange



Driveshafts Australia MRB1089
37 Chisholm Crescent, Kewdale WA 6105
Ph: 9359 4444 Fax: 9359 4455

74 Great Eastern Hwy, Kalgoorlie WA
1800 DSA KAL [1800 372 525]



ATLAS COPCO

ST1520

SCOOPTRAM DRIVELINES

Driveshafts Australia keep a comprehensive inventory of replacement driveshafts and driveline parts for most makes and models of Atlas Copco Scooptrams, including the ST15200, on-shelf and ready to go

OEM	SUITS	DESCRIPTION
5541654200	ST1520	D Type Bearing
5540395900		Universal Joint
5574677800		Propeller Shaft Assembly
5574677900		Short Coupled Assembly
5541171300		Universal Joint
5574678000		Bearing Shaft
5574678100		Propeller Shaft Assembly
5574678200		Bearing Shaft



Driveshafts Australia MRB1089
37 Chisholm Crescent, Kewdale WA 6105
Ph: 9359 4444 Fax: 9359 4455

74 Great Eastern Hwy, Kalgoorlie WA
1800 DSA KAL [1800 372 525]



ATLAS COPCO

CT10 CT13

COALTRAMS DRIVELINES

Driveshafts Australia keep a comprehensive inventory of replacement driveshafts and driveline parts for most makes and models of Atlas Copco Coaltram, including the CT10 and CT13, on-shelf and ready to go

OEM	SUITS	DESCRIPTION
5520002421	CT10	Short Coupled Assembly
5520002420		Short Coupled Assembly
5520002419		Propeller Shaft Assembly
5520001796		Propeller Shaft Assembly
5520001797		Bearing Shaft (Genuine only)
5520002422	CT13	Centre Bearing Shaft
5520002423		Short Coupled Assembly
5520002424		Propeller Shaft
5520002425		Propeller Shaft



Driveshafts Australia MRB1089
37 Chisholm Crescent, Kewdale WA 6105
Ph: 9359 4444 Fax: 9359 4455

74 Great Eastern Hwy, Kalgoorlie WA
1800 DSA KAL [1800 372 525]



TORO REPLACEMENT DRIVELINES

Driveshafts Australia keep a comprehensive inventory of replacement driveshafts and driveline parts for most makes and models of Toro articulated dumpers, including the Toro 50 plus, on-shelf and ready to go.

OEM	SUITS	DESCRIPTION
55014979	Toro R50 Plus	Articulation Shaft
55015124		Front Shaft (CB to Retainer)
55015124		(Retarder to Rear Diff)
55014978		Transmission to Front Diff
55014977		Front CB to Transmission
55028050		Driveshaft (Service Exchange)

DRIVESHAFTS AUSTRALIA PTY LTD



Driveshafts Australia MRB1089
37 Chisholm Crescent, Kewdale WA 6105
Ph: 9359 4444 Fax: 9359 4455

74 Great Eastern Hwy, Kalgoorlie WA
1800 DSA KAL [1800 372 525]



CT10 AND CT16 NOW AVAILABLE

Genuine units CT10 and CT16 compressors to suit Tamrock Drill Rigs. These units can be supplied new or service/repaired.



Please call for information.

Driveshafts Australia MRB1089
37 Chisholm Crescent, Kewdale WA 6105
Ph: 9359 4444 Fax: 9359 4455

74 Great Eastern Hwy, Kalgoorlie WA
1800 DSA KAL [1800 372 525]

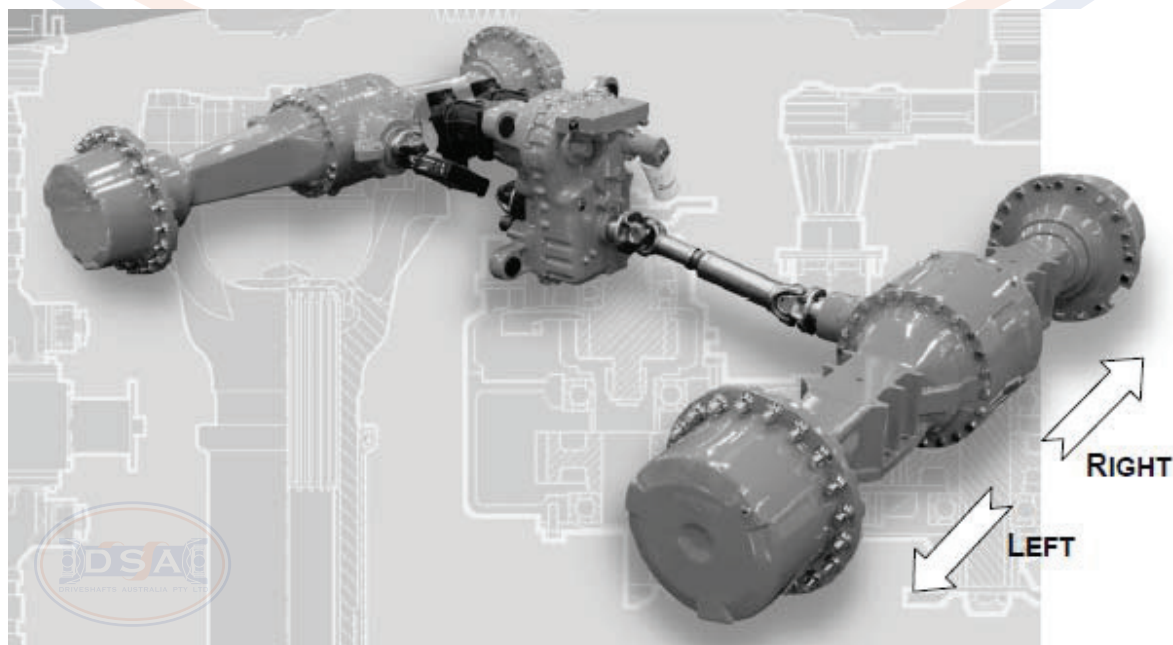
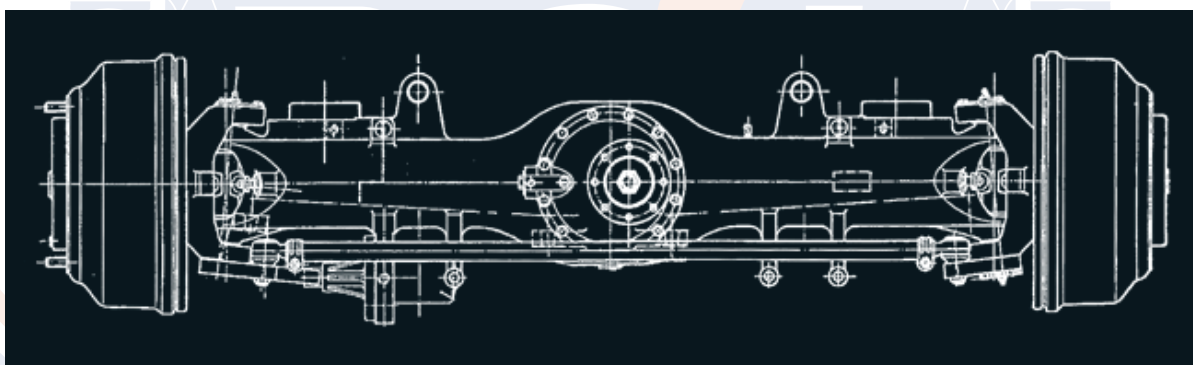


DRIVESHAFTS AUSTRALIA

AXLE DIVISION

With over 30 years experience in the underground mining axle industry, we offer repairs, replacement units and spare parts for Dana off highway and Kessler axles that suit:

Atlas Copco, Jacon, Normet & Sandvik Tamrock.



Driveshafts Australia MRB1089
37 Chisholm Crescent, Kewdale WA 6105
Ph: 9359 4444 Fax: 9359 4455

74 Great Eastern Hwy, Kalgoorlie WA
1800 DSA KAL [1800 372 525]



BELL B40C/B35C



ITEM OEM	SUITS	DESCRIPTION
(1) 290231B	Bell B40C/B35C	Propshaft Trans to Drop Box
(2) 290201B		Propshaft Drop Box to Front Diff Drop Box to Thru Shaft
(3) 100720B		Bolt
(4)		
(5) 290197B		Propshaft Mid Diff to Rear Diff
(8) 290196B		Propshaft Thru Shaft to Mid Diff
(9) 290580B		Propshaft PTO
204106B		Universal Joint
206051B		Universal Joint
204105B		Universal Joint

Driveshafts Australia MRB1089
37 Chisholm Crescent, Kewdale WA 6105
Ph: 9359 4444 Fax: 9359 4455

74 Great Eastern Hwy, Kalgoorlie WA
1800 DSA KAL [1800 372 525]



BELL B40D/B35D HITACHI AH400



ITEM OEM	SUITS	DESCRIPTION
(1) 290419B / 290396B	Bell B40D/B35D Hitachi AH400	PTO Shaft ELB/587
(2) 217928B		Universal Joint
(3) 221754B		Flange
(4) 290435B / 290331B		Propshaft KV180 Trans to Drop Box
(5) 226750B		Universal Joint
(6) 216666B		Grease Nipple
(7) 290261B		Propshaft Drop Box to Front Diff
290261B		Propshaft Drop Box to Thru Shaft
(8) (13) (16) 206765B		Universal Joint
(9) (14) (17) 100720B		Bolt
(12) 290262B		Propshaft Thru Shaft to Mid Diff
(15) 290263B		Propshaft Mid Diff to Rear Diff

Driveshafts Australia MRB1089
37 Chisholm Crescent, Kewdale WA 6105
Ph: 9359 4444 Fax: 9359 4455

74 Great Eastern Hwy, Kalgoorlie WA
1800 DSA KAL [1800 372 525]



BELL B50D HITACHI AH500



ITEM OEM	SUITS	DESCRIPTION
(1) 290420B	Bell B50D Hitachi AH500	Propshaft PTO
(2) 221876B		Universal Joint
(3) 221877B		Universal Joint High Temp
(4) 221878B		Flange
(5) 290434B		Propshaft 1400D 180D to VIN 1798 Trans to Drop Box
(5) 290436B		Propshaft 1400D from VIN 1799 Trans to Drop Box
(6) 221751B		Universal Joint to VIN 1798
(6) 226750B		Universal Joint From VIN 1799
(7) 216666B		Grease Nipple
(8) 290261B		Propshaft 0310 Drop Box to Front Diff
(9) (19) (22) 206765B		Universal Joint
(10) (15) (20) (23) 100720B		Bolt
(13) 290327B		9C Propshaft Drop Box to Thru Shaft
(14) 221637B		Universal Joint
(18) 290262B		Propshaft Thru Shaft to Mid Diff
(19) 290263B		Propshaft Mid Diff to Rear Diff

Driveshafts Australia MRB1089
37 Chisholm Crescent, Kewdale WA 6105
Ph: 9359 4444 Fax: 9359 4455

74 Great Eastern Hwy, Kalgoorlie WA
1800 DSA KAL [1800 372 525]



DRIVESHAFTS AND UNIVERSAL JOINTS



MODEL	APPLICATION	DRIVESHAFT NO. JOINTS INCLUDED	JOINT NO. NO BOLTS INCLUDED
465.5	Engine to Transmission	596.20.61000	596.20.61100
465.5	Transmission to Diff	569.20.62000	569.20.62100W
785.5	Transmission to Diff	561.20.62000	561.20.62100W
785.3	Engine to Transmission	561.20.61000	561.20.61100
785.3	Transmission to Diff	561.20.62000	561.20.62100W
785-7	Transmission to Diff	561.20.72002	42C.20.12621
WA800.2	Front Driveshaft	427.20.1311	427.20.12620
WA800.2	Centre Driveshaft	427.20.1211	427.20.12620
WA800.2	Rear Driveshaft	427.20.1211	427.20.12620
WA900	Front Driveshaft	427.20.13111	427.20.12620
WA900	Centre Driveshaft	427.20.12112	427.20.12620
WA900	Rear Driveshaft	427.20.12112	427.20.12620
WA1200.3	Front Driveshaft	42C.20.13112	427.20.12620
WA1200.3	Centre Driveshaft	42C.20.12120	427.20.12620
WA1200.3	Rear Driveshaft	42C.20.14113	427.20.12620



Driveshafts Australia MRB1089
37 Chisholm Crescent, Kewdale WA 6105
Ph: 9359 4444 Fax: 9359 4455

74 Great Eastern Hwy, Kalgoorlie WA
1800 DSA KAL [1800 372 525]



LV TOYOTA COMPONENTS NOW AVAILABLE



- Axles
- Brake Calipers
- Brake Components
- Brake Rotor, Drum, Linings
- Clutches & Components
- CV Joints
- Diff Gears
- Diff Kits
- Prop Shafts
- Spring & Shocks
- Steering
- Suspension Components
- Swivel Kits
- Transmission Gears & Components
- Transmission Kits
- Wheel Bearing Kits

New and Recondition Heavy Duty Gear boxes Available with

- Longer spline in the matting part of the main shaft.
- Fully splined 3rd-4th scyncro hub.
- Fully splined 5th scyncro hub.
- Modified thrust washer to improve oil flow.
- 1st gear thrust washer redesigned to eliminate cracking.
- Specially made stainless steel pin for thrust washer.

Driveshafts Australia MRB1089

37 Chisholm Crescent, Kewdale WA 6105

Ph: 9359 4444 Fax: 9359 4455

74 Great Eastern Hwy, Kalgoorlie WA

1800 DSA KAL [1800 372 525]

