



CUSHMAN™

MINUTE MISER

Service Parts Manual

ELECTRIC THREE WHEELED VEHICLE



630940

ISSUED: JANUARY 2013

REVISED: OCTOBER 2013

SERVICE PARTS MANUAL

ELECTRIC POWERED THREE WHEEL SERVICE VEHICLE

MINUTE MISER

STARTING MODEL YEAR 2013

DISCLAIMER: The E-Z-GO Division of Textron Inc. (E-Z-GO) reserves the right to incorporate engineering and design changes to products in this Manual, without obligation to include these changes on units leased/sold previously.

The information contained in this Manual may be revised periodically E-Z-GO, and therefore is subject to change without notice.

E-Z-GO DISCLAIMS LIABILITY FOR ERRORS IN THIS MANUAL, and E-Z-GO SPECIFICALLY DISCLAIMS LIABILITY FOR INCIDENTAL AND CONSEQUENTIAL DAMAGES RESULTING FROM THE USE OF THE INFORMATION AND MATERIALS IN THIS MANUAL.

TO CONTACT US

NORTH AMERICA:

TECHNICAL ASSISTANCE & WARRANTY PHONE: 1-800-774-3946, FAX: 1-800-448-8124

SERVICE PARTS PHONE: 1-888-GET-EZGO (1-888-438-3946), FAX: 1-800-752-6175

INTERNATIONAL: PHONE: 001-706-798-4311, FAX: 001-706-771-4609

E-Z-GO DIVISION OF TEXTRON INC., 1451 MARVIN GRIFFIN RD., AUGUSTA, GEORGIA USA 30906-3852

GENERAL INFORMATION

To obtain a copy of the limited warranty applicable to the vehicle, call or write a local Distributor, authorized Branch or the Warranty Department with vehicle serial number and manufacturer code.

The use of non Original Equipment Manufacturer (OEM) parts may void the warranty.

Overfilling of batteries may void the warranty.

BATTERY PROLONGED STORAGE

All batteries will self discharge over time. The rate of self discharge varies depending on the ambient temperature and the age and condition of the batteries.

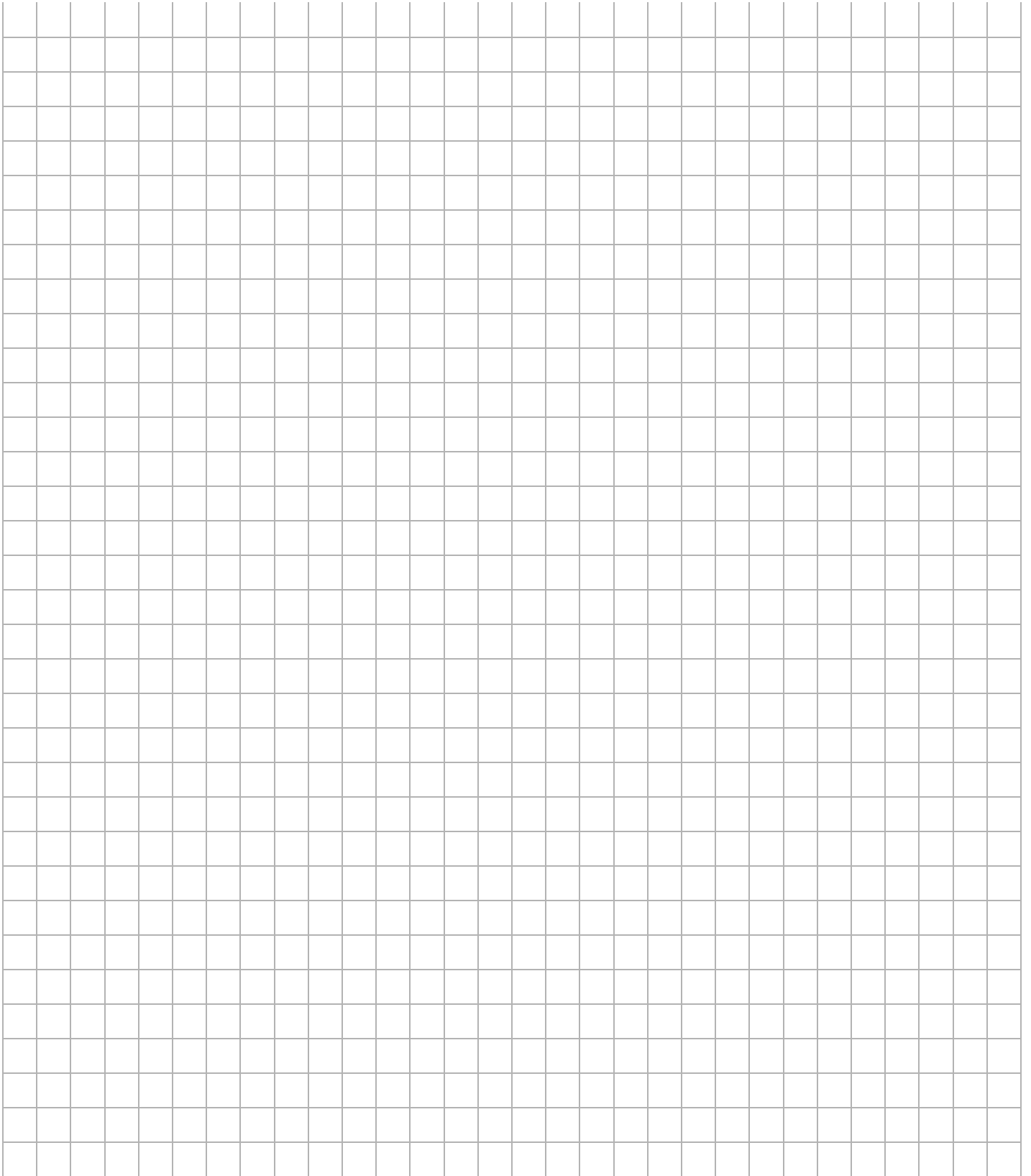
A fully charged battery will not freeze in winter temperatures unless the temperature falls below -75° F (-60° C).

As with all electric vehicles, the batteries must be checked and recharged as required or at a minimum of 30 day intervals.

TABLE OF CONTENTS

SECTION	Page No.
HOW TO USE THE SERVICE PARTS MANUAL.....	V
ACCELERATOR.....	A - 1
BATTERY CHARGER.....	B - 1
BODY AND DECALS.....	C - 1
BRAKES.....	D - 1
ELECTRICAL SYSTEM.....	E
EE COMPONENTS.....	E - 1
ELECTRICAL COMPONENTS.....	E - 3
FORK, HUB AND HANDLEBAR.....	F - 1
MOTOR.....	G - 1
REAR AXLE.....	H - 1
SEATING.....	J - 1
STEERING WHEEL ACCESSORY.....	K - 1
WHEELS AND TIRES.....	L - 1

NOTES



HOW TO USE THE SERVICE PARTS MANUAL

This manual is divided into several sections:

- GENERAL INFORMATION
- ILLUSTRATED PARTS BREAKDOWN
- APPENDIX

The first section, GENERAL INFORMATION, contains the following information:

- WARRANTY INFORMATION
- GENERAL INDEX
- HOW TO USE THE SERVICE PARTS MANUAL

The second section, ILLUSTRATED PARTS BREAKDOWN, contains illustrations and parts lists for all systems of your vehicle.

The third section, APPENDIX, contains a listing of specialty products and accessories.

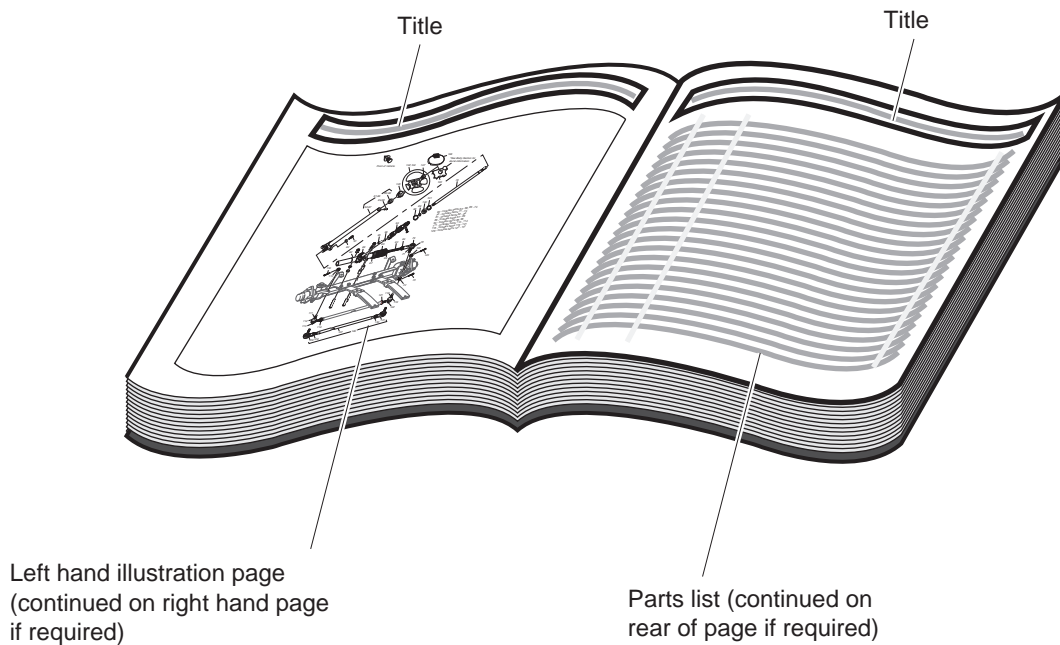
USE OF THE MANUAL

To use this manual, consult the GENERAL INDEX to locate the information or illustration required.

Introduction of some revisions varies due to supply of components; therefore, it is possible that various combinations of components may be found that are not directly reflected by each illustration. Consult the illustration that best suits your situation and then contact the Service Parts Department. It is important that the serial number of your vehicle and its model number be supplied to Service Parts when ordering any replacement components.

Locate the serial number plate (see BODY located in the Illustrated Parts Breakdown section of this manual for its location) and note the complete number shown on the plate.

HOW TO USE THE SERVICE PARTS MANUAL



1. WHEN THE PART NUMBER IS NOT KNOWN

- Determine the function and application of the part required. Turn to the General Index and select the most appropriate title.
- Turn to the page number indicated and locate the desired part on the illustration.
- From the illustration, obtain the item number assigned to the desired part. Refer to the accompanying description for specific information regarding the part.

2. IF YOU KNOW THE PART NUMBER

- Locate the part number or description in the appropriate column on the parts list page.

NOTE: It is suggested that you confirm that the part selected is correct by verifying it with the pictorial representation on the illustrated page.

Should an asterisk (*) appear in the part number column on the parts list page, read upwards until a part number is found. The part number is the lowest assembly sold by Service Parts and the asterisk (*) indicates that the part depicted is not available for purchase.

NOTE: Descriptions are indented under the assembly that they are used on. That assembly is, in turn listed under the assembly that it is used on. This process is repeated until the highest final assembly is reached.

To facilitate the maintenance and repair of the vehicle, a Technician's Repair and Service Manual is available from the Service Parts Department.

HOW TO USE THE SERVICE PARTS MANUAL

VEHICLE IDENTIFICATION

THESE IDENTIFICATION NUMBERS MUST APPEAR ON ALL CORRESPONDENCE CONCERNING THE VEHICLE.

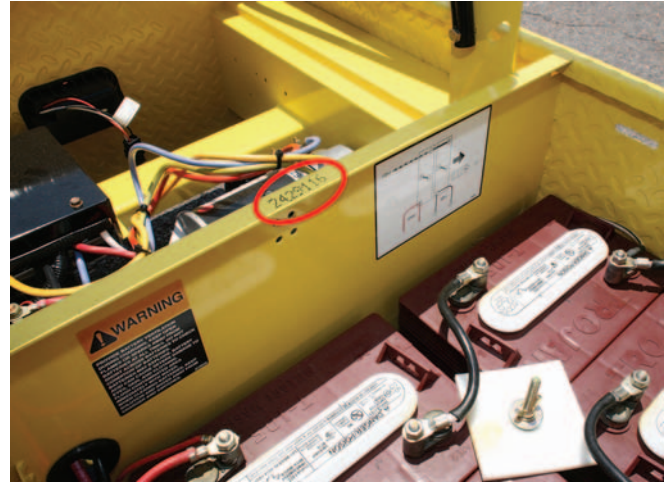
VEHICLE MODEL NUMBER, MODEL YEAR and SERIAL NUMBER

The vehicle model number decal is located on upper left portion of kick panel. The complete (10) ten digit number is required to identify certain parts.



**Model Number, Model Year and
Serial Number on Decal**

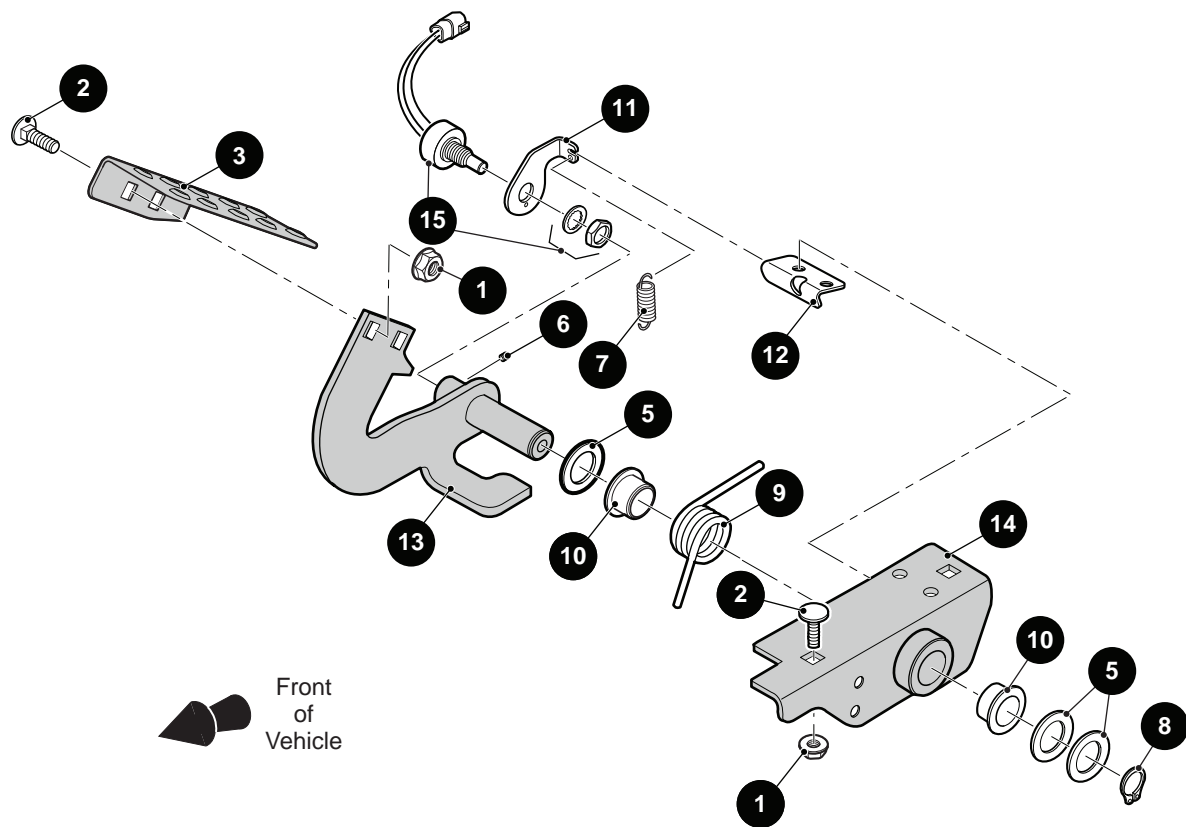
The vehicle serial number is stamped on top of the frame adjacent to the Battery Compartment.



**Vehicle Serial Number on the Frame Adjacent to
the Battery Compartment**

ACCELERATOR

4 SPEED CONTROL ASSEMBLY includes items 5 - 15



ACCELERATOR

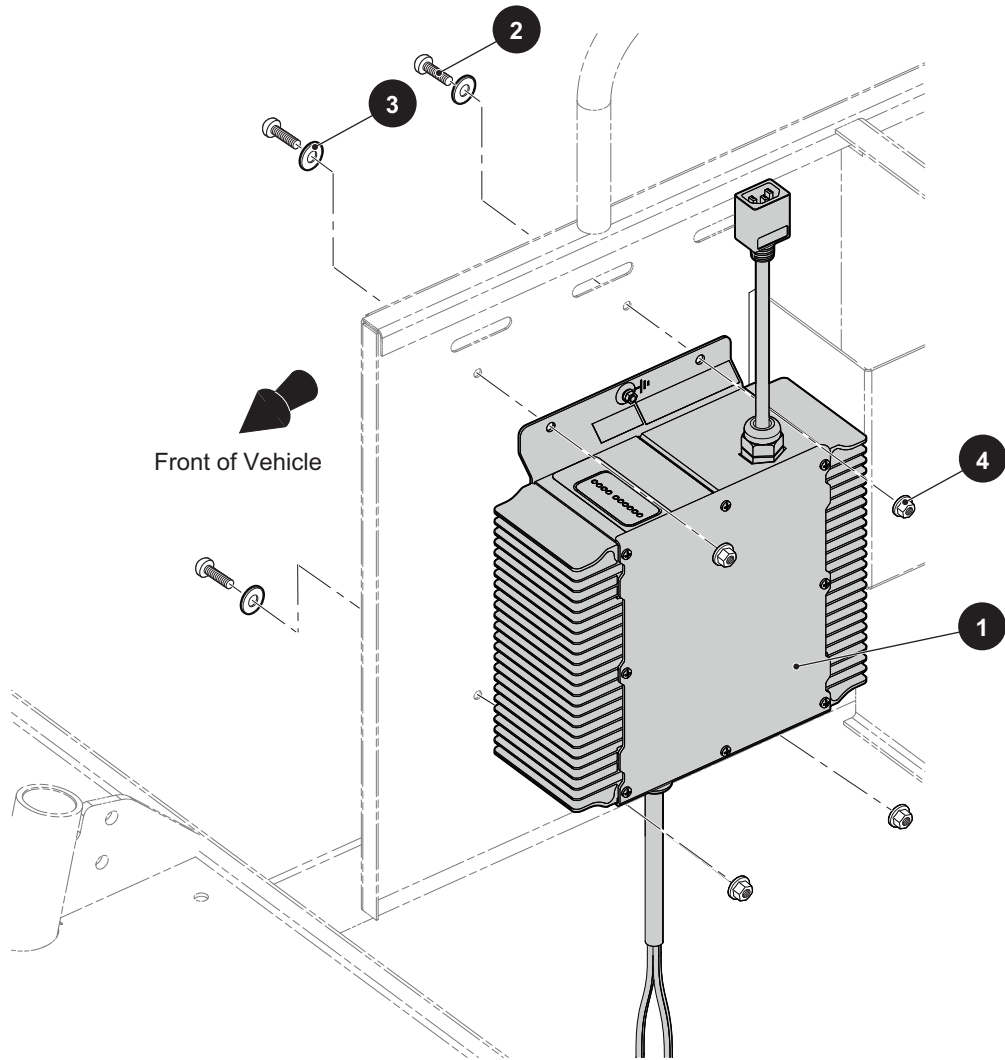
When ordering parts, please specify the model and serial number of the product.

* Indicates a component that is not available as an individual part.

*** Indicates consult Customer Service Department for additional information.

ITEM	PART NO.	1 2 3 4 5	DESCRIPTION	QTY.
1	548911		FLANGE LOCK NUT, 5/16" - 18	4
2	800557		CARRIAGE BOLT, 5/16"-18 X 3/4" LG.....	4
3	840419		SPEED CONTROL PEDAL.....	1
4	897184		SPEED CONTROL ASSEMBLY (INCLUDES ITEMS 5-15)	1
5	548478		FLAT WASHER, 5/8"	3
6	800225		SET SCREW, 10 - 24 X 1/4" LG.....	1
7	805421		INDEX SPRING, 1/16" X 27/32" X 1-1/32"	1
8	833104		EXT. RETAINING RING, 0.625" X 0.05"	1
9	840435		TORSION SPRING, 1" I.D.	1
10	840494		FLANGED BEARING, 9/14" I. D.	2
11	869184		POTENTIOMETER MOUNT BRACKET	1
12	840688		TAB.....	1
13	897182		SPEED CONTROL ARM.....	1
14	897183		SPEED CONTROL MOUNT BRACKET.....	1
15	4119768		POTENTIOMETER, 30°	1

BATTERY CHARGER



BATTERY CHARGER

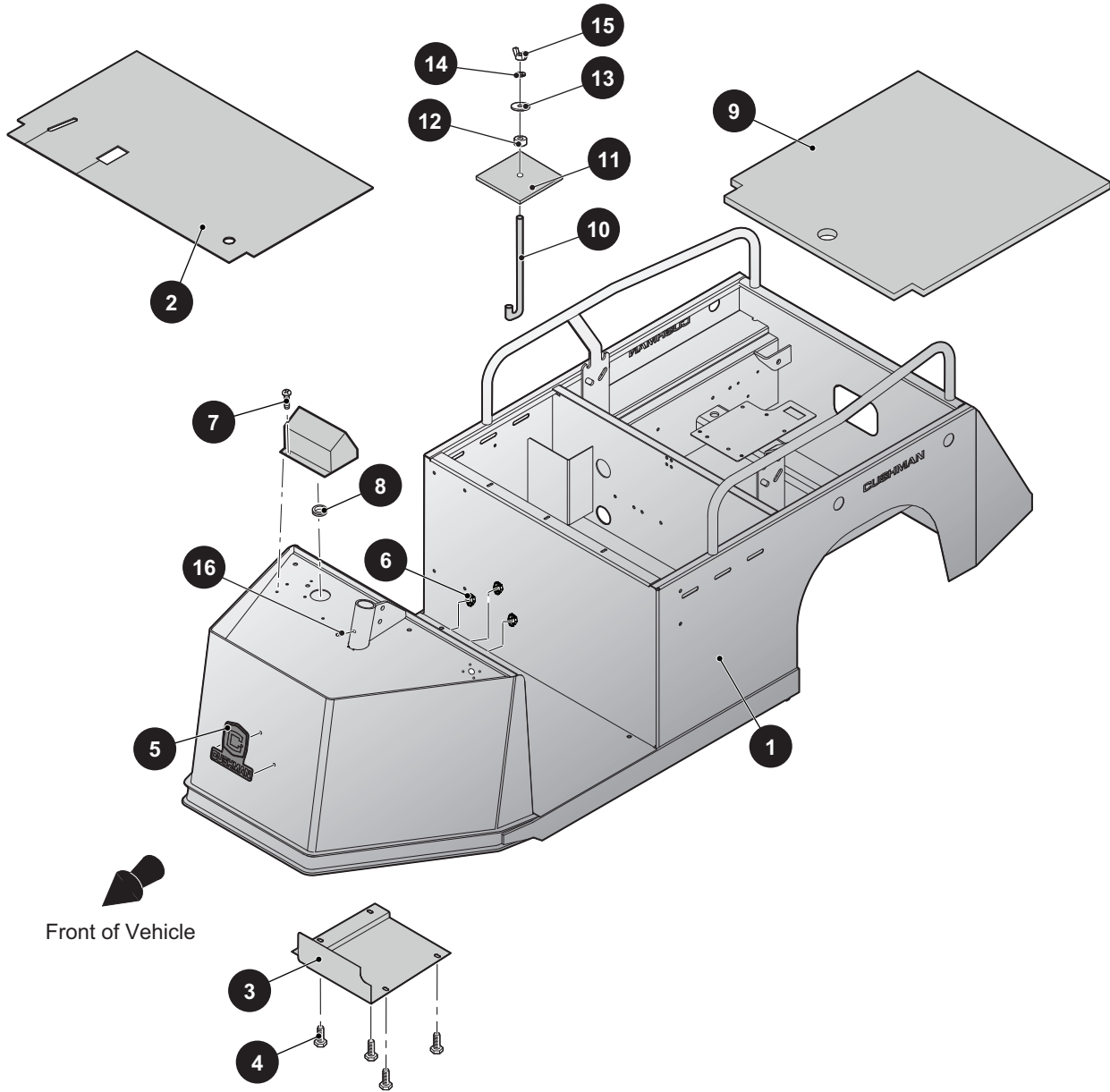
When ordering parts, please specify the model and serial number of the product.

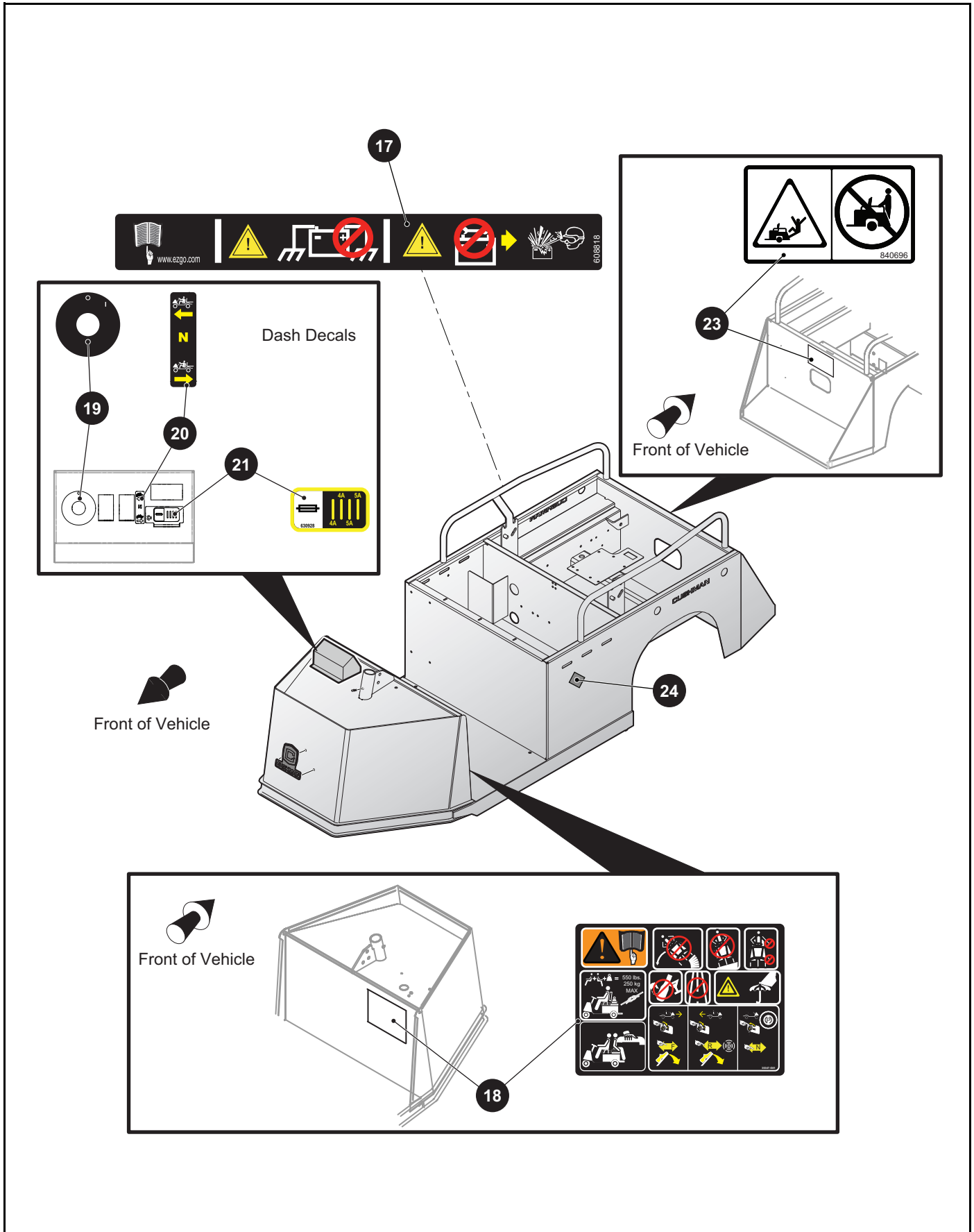
* Indicates a component that is not available as an individual part.

*** Indicates consult Customer Service Department for additional information.

ITEM	PART NO.	1 2 3 4 5	DESCRIPTION	QTY.
1	628089		DQT ON-BOARD CHARGER, 24V.....	1
2	800026		CROSS RECESSED PAN HEAD MACHINE SCREW, 1/4"- 20 X 3/4" LG	4
3	26908G01		THRUST WASHER, 1/4" I.D.....	4
4	548910		HEX NUT, 1/4-20	4

BODY AND DECAL





BODY AND DECAL

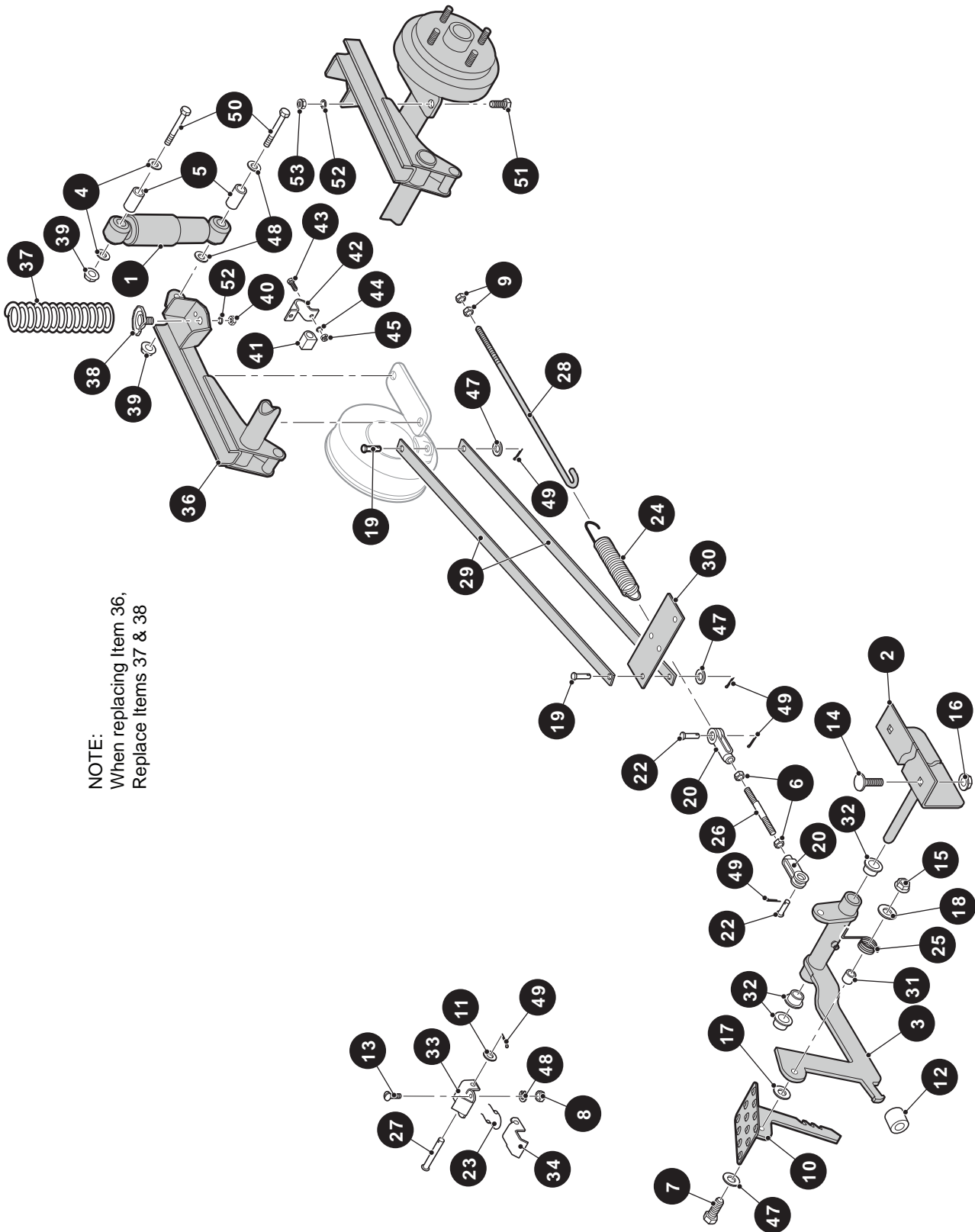
When ordering parts, please specify the model and serial number of the product.

* Indicates a component that is not available as an individual part.

*** Indicates consult Customer Service Department for additional information.

ITEM	PART NO.	1	2	3	4	5	DESCRIPTION	QTY.
1	XXXXXX						BODY 629605 YELLOW 629604 BURLINGTON GREEN	1
2	629474						FLOOR MAT.....	1
3	632288						PEDAL GUARD.....	1
4	548013						FLANGED HEX HEAD TAPPING BOLT, 1/4" - 20 X 5/8" LG.....	4
5	624539						CUSHMAN EMBLEM.....	1
6	71597G01						SELF THREADING NUT, 5 X 10 X 15 MM.....	3
7	71102G02						HEX HEAD BOLT, 1/4" - 20 X 3/8" LG.....	2
8	828247						GROMMET, 1.50" X 2.13" X 0.56".....	1
9	840684						CARGO DECK.....	1
10	806954						BATTERY HOOK BOLT, 1/3 - 18 X 87/7" LG.....	1
11	840695						BATTERY HOLD DOWN PLATE.....	1
12	808303						RUBBER SPACER.....	1
13	809152						FLAT WASHER, 11/9".....	1
14	306325						LOCK WASHER, 4/7".....	1
15	800315						WING NUT, 5/16" - 18.....	1
16	10389G3						STRAIGHT GREASE FITTING.....	1
17	608818						NEGATIVE GROUND DECAL.....	1
18	35347G01						DASH ELECTRIC INSTRUCTION DECAL.....	1
19	630044						OFF ON RING LABEL.....	1
20	630041						SMALL F-N-R LABEL.....	1
21	630928						FUSE LABEL.....	1
22								
23	840696						DECAL, WARNING DO NOT STAND.....	1
24	35216G01						EE INDUSTRIAL DECAL.....	2

BRAKES



NOTE:
When replacing Item 36,
Replace Items 37 & 38

BRAKES

When ordering parts, please specify the model and serial number of the product.

* Indicates a component that is not available as an individual part.

*** Indicates consult Customer Service Department for additional information.

ITEM	PART NO.	1 2 3 4 5	DESCRIPTION	QTY.
1	807332		SHOCK ABSORBER	1
2	2703903.7		BRAKE PIVOT	1
3	2703900.7		BRAKE ARM.....	1
4	825500		CUPPED WASHER, .453 X 1.25"	4
5	823621		BUSHING, 15/32" I. D. X 7/16" O. D.	2
6	00532G4		HEX NUT, 5/16" - 48	2
7	306435		HEX HEAD CAP SCREW, 5/16" - 18 X 1 1/4" LG	1
8	306531		HEX NUT, #10 - 24.....	2
9	00532G3		HEX NUT, 5/16" - 18	2
10	892802		BRAKE LATCH	1
11	308090		FLAT WASHER, 1/4"	1
12	517163		SPACER, 1"	1
13	800271		PAN HEAD MACHINE SCREW, #10 - 24 X 1/2" LG.....	2
14	800557		CARRIAGE BOLT, 5/16" - 18 X 3/4" LG.....	2
15	800290		LOCK NUT, 5/16" - 18.....	1
16	800697		FLANGE LOCK NUT, 5/16" - 18	2
17	800873		FLAT WASHER, 3/8"	1
18	800874		FLAT WASHER, 11/32"	2
19	806714		CLEVIS PIN, 5/16" X 15/16"	4
20	10385G4		YOKE	2
21				
22	806703		CLEVIS PIN, .81 X 1.38"	2
23	817507		CATCH RETURN SPRING, 19/64" I. D.....	1
24	822313		EXTENSION SPRING, 1" X 6 - 11/16"	1
25	829860		SPRING, 25/32" I. D. X 3/8"	1
26	830661		THREADED ROD	1
27	830784		PIVOT PIN, .25" X 1.88"	1
28	831861		ADJUSTING BOLT, 5/16" - 18 X 9" LG	1
29	840326		BRAKE STRAP	4
30	840335		BRAKE CROSSMEMBER	1
31	840491		BUSHING, 5/14" I. D. X 5/9" O. D. X 1/3" LG.....	1

BRAKES

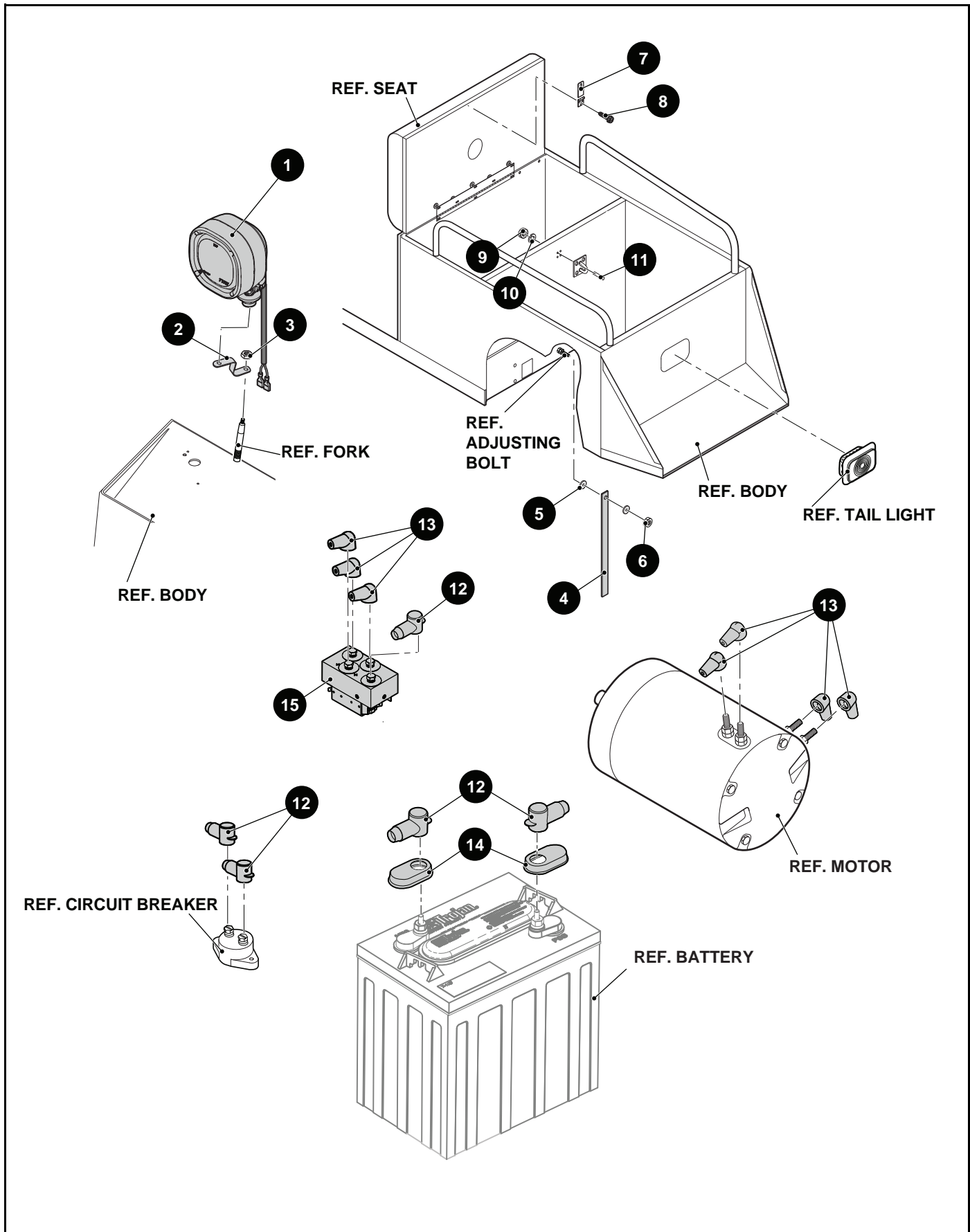
When ordering parts, please specify the model and serial number of the product.

* Indicates a component that is not available as an individual part.

*** Indicates consult Customer Service Department for additional information.

ITEM	PART NO.	1 2 3 4 5	DESCRIPTION	QTY.
32	840494		FLANGED BEARING	3
33	840666		BRAKE LOCK LATCH	1
34	840667		PARK BRAKE LATCH	1
35				
36	897151		POWER FRAME	1
37	805437		SPRING, 2.5" X 9.75" LG	2
38	876660		SPRING RETAINER	2
39	800294		LOCK NUT, 7/16" -14	2
40	308332		HEX NUT, 1/2" - 13.....	2
41	816667		STABILIZER BLOCK	2
42	825366		BLOCK RETAINER	2
43	306835		HEX HEAD CAP SCREW, 3/8" - 16 X 1 1/4" LG.....	4
44	120177		LOCK WASHER, 3/8"	4
45	306562		HEX NUT, 3/8" - 16.....	4
46				
47	103867		FLAT WASHER, 11/32"	4
48	120052		LOCK WASHER, #10	2
49	306328		COTTER PIN, 3/32" X 3/4"	7
50	311396		HEX HEAD BOLT, 7/16" - 14 X 2" LG.....	2
51	800546		HEX HEAD BOLT, M12 - 1.25 X 35 MM LG	4
52	120166		LOCK WASHER, 1/2"	6
53	800875		HEX NUT, M12 - 1.25	4

EE COMPONENTS



EE COMPONENTS

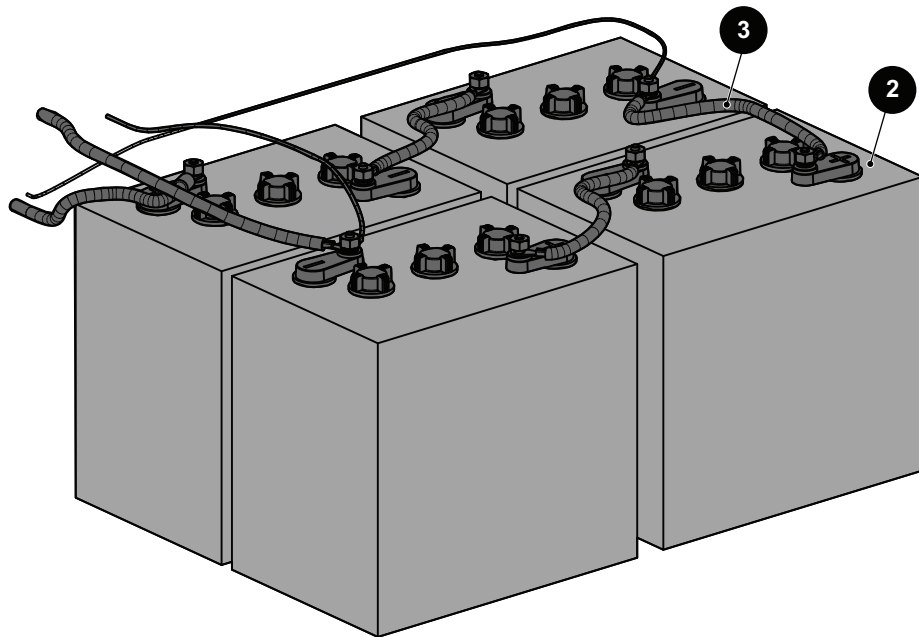
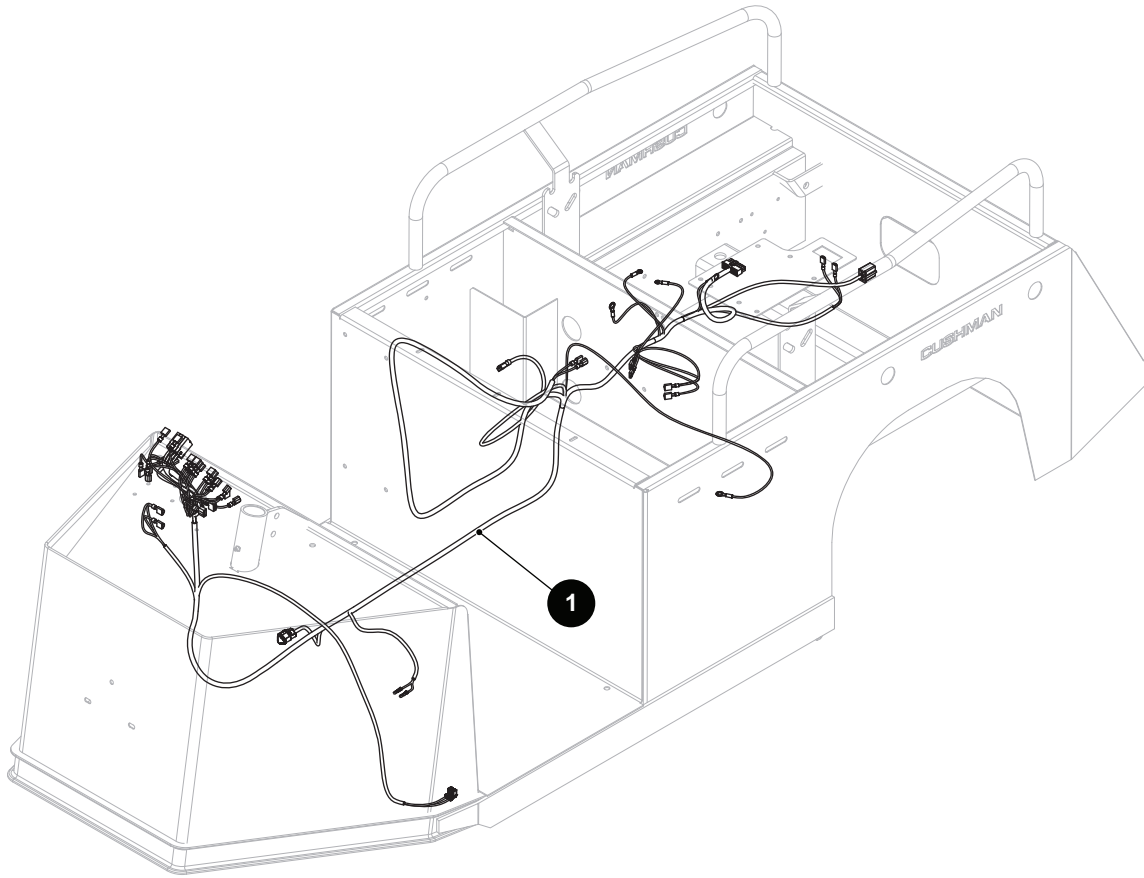
When ordering parts, please specify the model and serial number of the product.

* Indicates a component that is not available as an individual part.

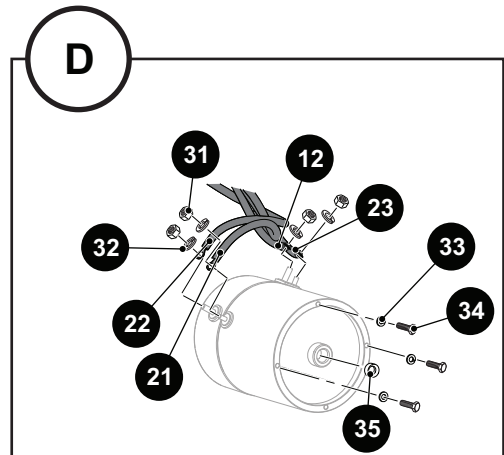
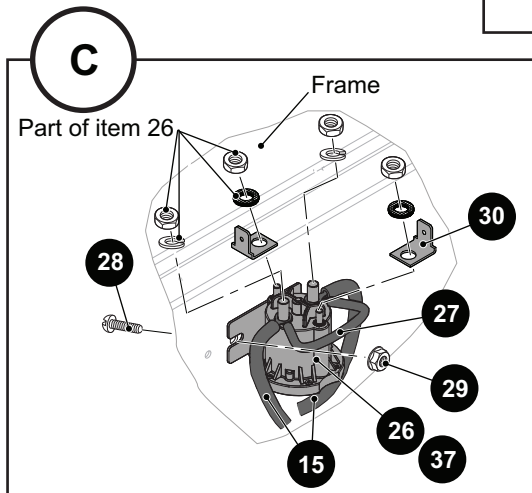
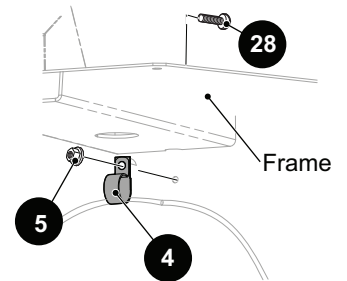
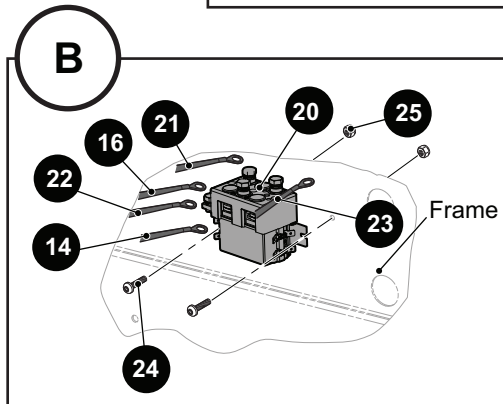
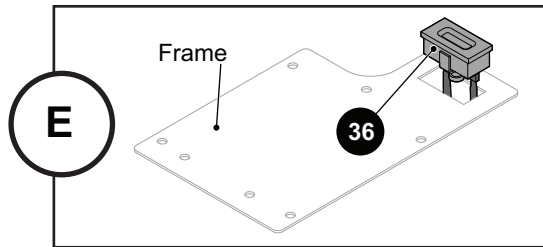
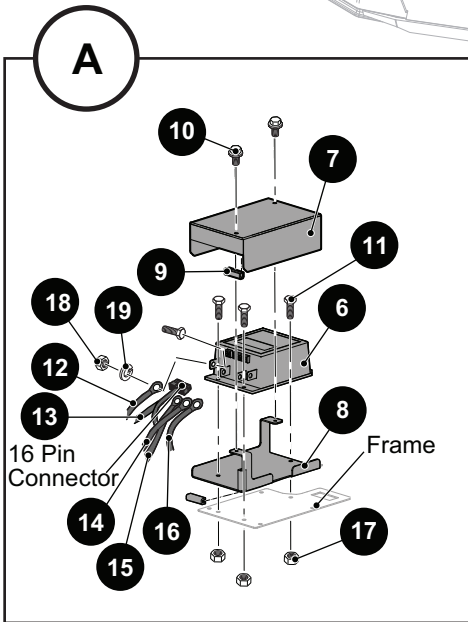
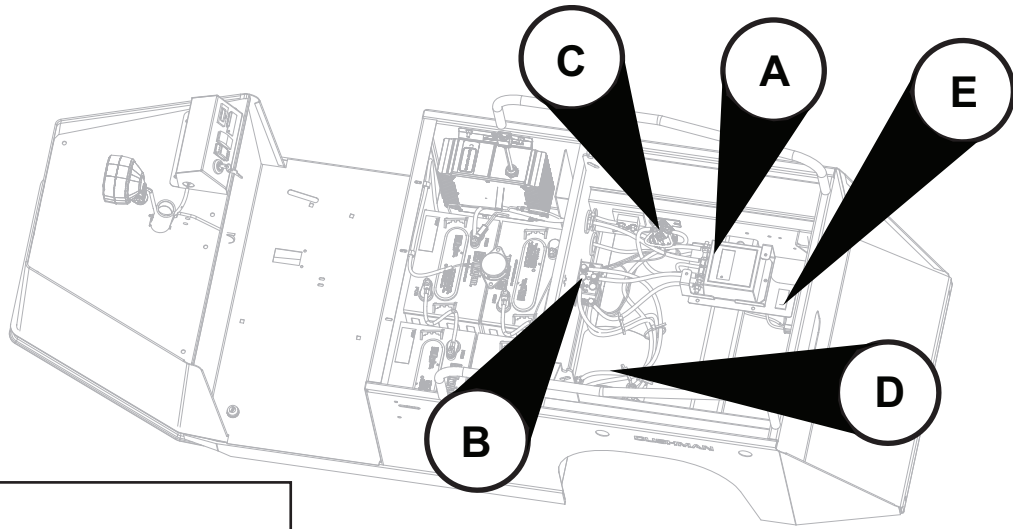
*** Indicates consult Customer Service Department for additional information.

ITEM	PART NO.	1 2 3 4 5	DESCRIPTION	QTY.
1	629122		HEADLIGHT ASSEMBLY	1
2	840854G01		LIGHT BRACKET	1
3	305134		JAM HEX NUT, 7/8" - 14	1
4	35213G02		CONDUCTIVE GROUND STRAP	1
5	800874		FLAT WASHER, 11/9"	2
6	00532G3		HEX NUT, 5/16" - 48	1
7	2702994		HASP	1
8	800965		SLOTTED FLAT HEAD TAPPING SCREW, 12 - 14 X 3/4" LG	3
9	306531		HEX NUT, #10 - 24	4
10	120052		LOCK WASHER, 5/14"	4
11	800296		PAN HEAD PHILLIPS SCREW, #10 - 24 X 3/4"	4
12	840177		TERMINAL BOOT	10
13	844328		TERMINAL BOOT	7
14	631156		TERMINAL PROTECTOR	7
15	632204		CONTACTOR, UL EE, 24V	1

ELECTRICAL COMPONENTS



ELECTRICAL COMPONENTS



ELECTRICAL COMPONENTS

When ordering parts, please specify the model and serial number of the product.

* Indicates a component that is not available as an individual part.

*** Indicates consult Customer Service Department for additional information.

ITEM	PART NO.	1 2 3 4 5	DESCRIPTION	QTY.
1	628076		MAIN HARNESS	1
2	***		BATTERY	4
3	628849		4 AWG BLACK WIRE, 8"	3
4	630761		CUSHIONED LOOP CLAMP	1
5	11027G2		FLANGED LOCK NUT, 1/4" - 20	1
6	629097		SPEED CONTROLLER, 250 AMP	1
7	2703740		CONTROLLER SPLASH SHIELD.....	1
8	2703811		SPLASH COVER BRACKET	1
9	22280G1		BLACK TRIM, 0.52 SINGLE LIP	3
10	800869		FLANGED HEX HEAD TAPPING SCREW, 1/4" - 20 X 5/8" LG	2
11	00415G2		HEX HEAD BOLT, 1/4" - 20 X 1.25" LG	3
12	628846		6 AWG BLACK W/WHITE WIRE ASSEMBLY, UL, 30"	1
13	628845		6 AWG BLACK WIRE ASSEMBLY, UL, 27"	1
14	628817		6 AWG BLACK W/BLUE WIRE ASSEMBLY, UL, 12"	1
15	629272		6 AWG RED WIRE ASSEMBLY, UL, 10"	3
16	628819		6 AWG BLACK W/WHITE WIRE ASSEMBLY, UL, 12"	1
17	00550G1		HEX LOCK NUT, 1/4" - 20.....	3
18	306932		HEX NUT, 5/16" - 18.....	4
19	306325		LOCK WASHER, 5/16".....	4
20	629777		UL CONTACTOR, 24 V	1
21	628815		6 AWG BLACK W/BLACK WIRE ASSEMBLY, UL, 20"	1
22	628796		6 AWG BLACK W/BLUE WIRE ASSEMBLY, UL, 20"	1
23	628811		6 AWG BLACK W/GREEN WIRE ASSEMBLY, UL, 20"	1
24	628906		FLANGED HEX HD SCREW, #10 - 24 X .75 LG	2
25	14390G10		PLASTIC LOCK NUT, 10 - 25	2
26	629086G01		UL SOLENOID, 24 V	1
27	893142		RESISTOR	1
28	800026		PHILLIPS PAN HEAD SCREW, 1/4" - 20 X 3/4" LG	3
29	548910		HEX NUT, 1/4" - 20.....	2
30	73446G01		FASTON TAB	2
31	306932		HEX NUT, 5/16" - 18.....	2

ELECTRICAL COMPONENTS

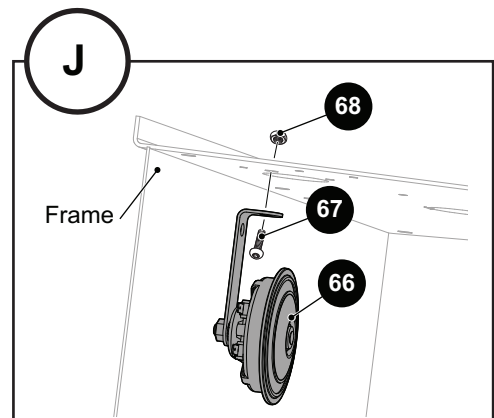
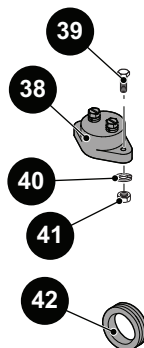
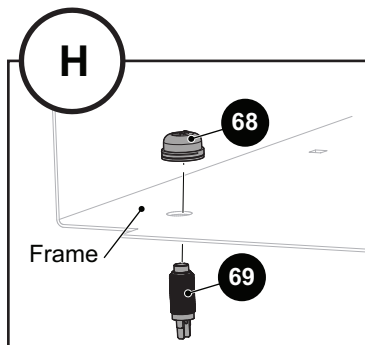
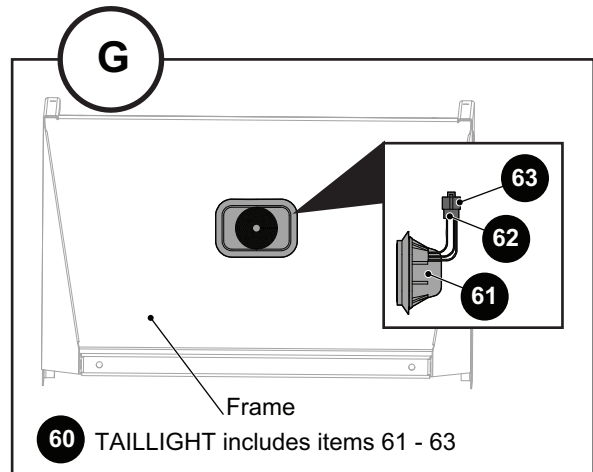
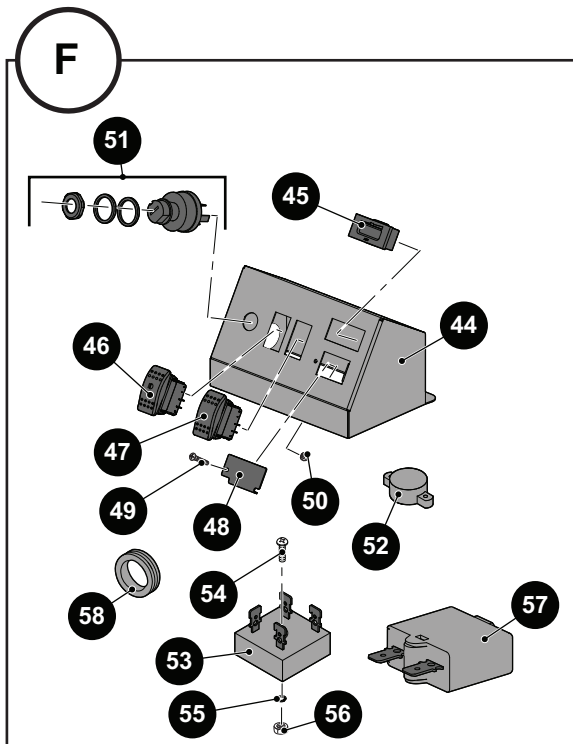
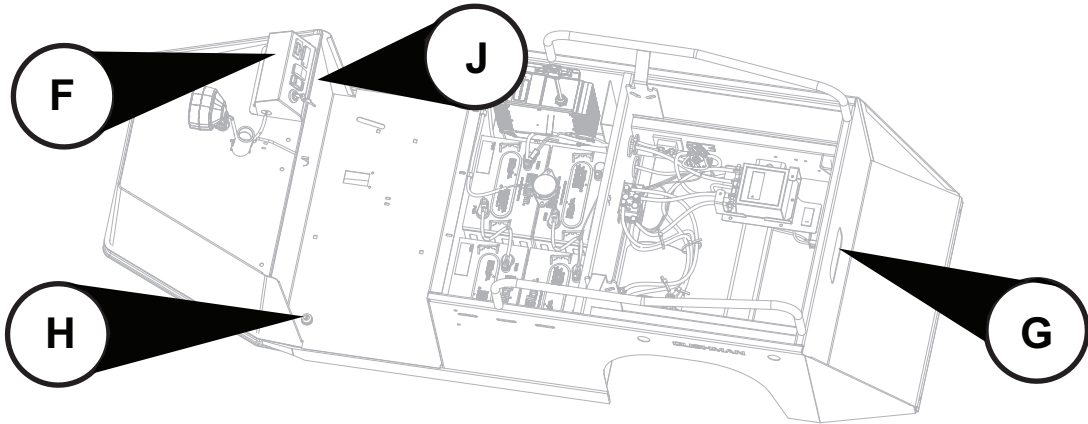
When ordering parts, please specify the model and serial number of the product.

* Indicates a component that is not available as an individual part.

*** Indicates consult Customer Service Department for additional information.

ITEM	PART NO.	1 2 3 4 5	DESCRIPTION	QTY.
32	306325		LOCK WASHER, 4/7"	2
33	306396		LOCK WASHER, 1/2"	3
34	00415G2		HEX HEAD BOLT, 1/4" - 20 X 1.25" LG.....	3
35	24261G1		SPLINE BUMPER.....	1
36	33633G01		HOUR METER.....	1
37	629086G02		UL SOLENOID, 24V	1

ELECTRICAL COMPONENTS



ELECTRICAL COMPONENTS

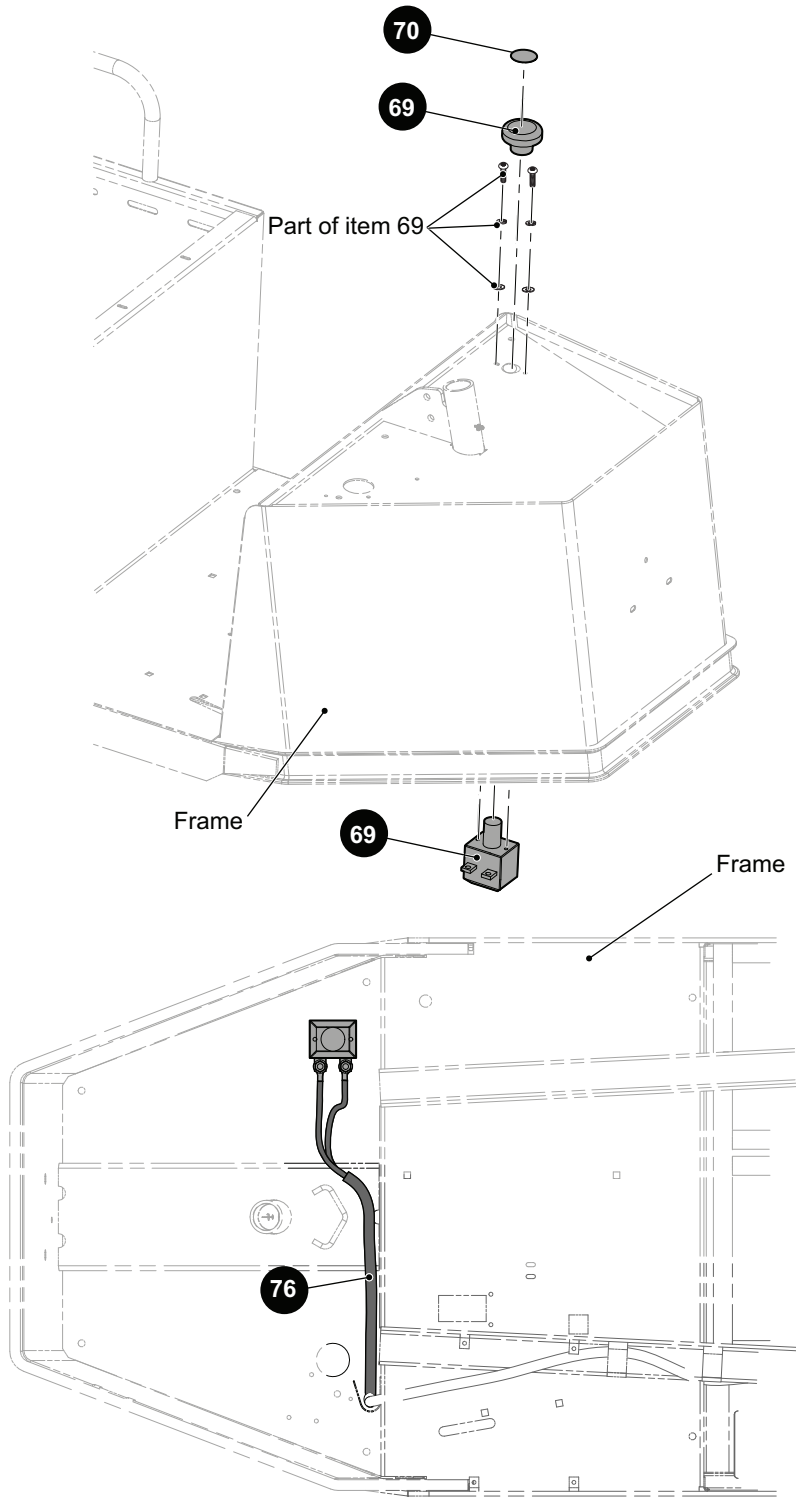
When ordering parts, please specify the model and serial number of the product.

* Indicates a component that is not available as an individual part.

*** Indicates consult Customer Service Department for additional information.

ITEM	PART NO.	1 2 3 4 5	DESCRIPTION	QTY.
38	829164		CIRCUIT BREAKER, 90 AMP	1
39	800299		HEX HEAD BOLT, #10 - 24 X 1" LG	2
40	120052		LOCK WASHER, 5/14"	2
41	306531		HEX NUT, #10 - 24	2
42	828247		GROMMET, 3/2" I.D. X 2 1/9" O.D. X 9/16" LG.....	3
43				
44	630328		DASH PANEL	1
45	33636G02		STATE OF CHARGE METER, 24 V	1
46	618789		HEADLIGHT SWITCH	1
47	836354		REVERSE SWITCH.....	1
48	629491		FUSE BOX COVER	1
49	00645G2		PHILLIPS PAN HEAD SCREW, #6 - 32 X 1.25" LG	1
50	14390G9		PLASTIC INSERT LOCK NUT, 6 - 32.....	1
51	886311		IGNITION SWITCH.....	1
52	73290G02		INTERMITTENT SWITCH	1
53	840679		BRIDGE RECTIFIER	1
54	800299		SCREW, #10 - 24 X 1" LG	1
55	120052		LOCK WASHER, 5/14"	1
56	306531		HEX NUT, #10 - 24	1
57	629268		CIRCUIT BREAKER, 20 AMP	1
58	810446		GROMMET, 11/16" I.D. X 1 5/16" O.D. X 3/8" LG.....	1
59				
60	892676		TAILLIGHT (INCLUDES ITEMS 61 - 63)	1
61	840336		RED LIGHT	1
62	825886		14 -16 AWG 1/4 MALE TERMINAL.....	3
63	829630		4 TERMINAL CONNECTOR	1
64	17318G2		CAP AND NUT.....	1
65	629241		MOMENTARY SWITCH.....	1
66	629676		HORN UL.....	1
67	800017		PAN HEAD PHILLIPS SCREW, 1/4" - 20 X 1" LG.....	1
68	548910		HEX NUT, 1/4" - 20	1

ELECTRICAL COMPONENTS



ELECTRICAL COMPONENTS

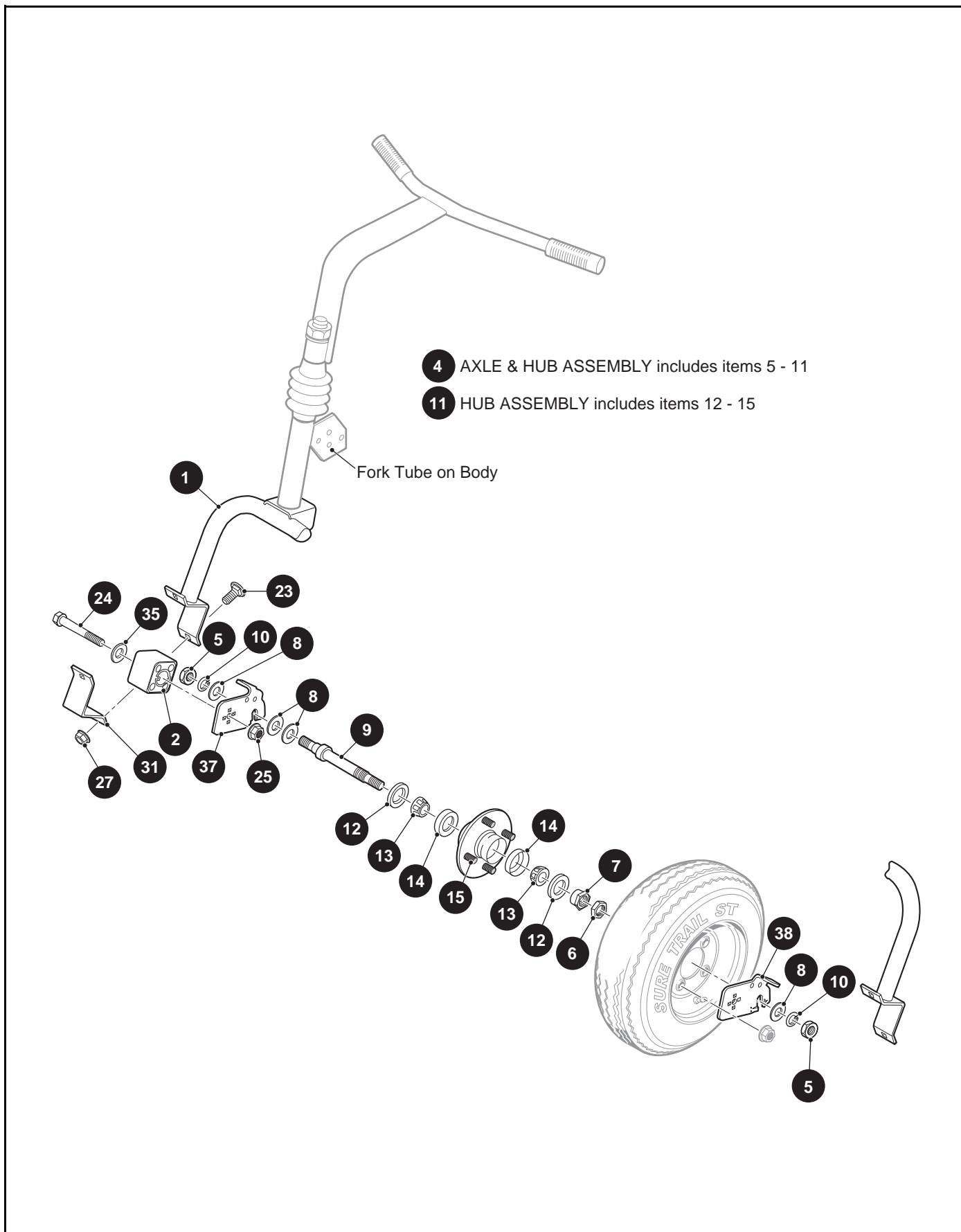
When ordering parts, please specify the model and serial number of the product.

* Indicates a component that is not available as an individual part.

*** Indicates consult Customer Service Department for additional information.

ITEM	PART NO.	1 2 3 4 5	DESCRIPTION	QTY.
69	627286		ELECTRIC STOP BUTTON.....	1
70	630042		E-STOP LABEL	1
71	628720		E-STOP WIRE HARNESS 4 AWG, UL, MM	1

FORK, HUB AND HANDLEBAR



FORK, HUB AND HANDLEBAR

When ordering parts, please specify the model and serial number of the product.

* Indicates a component that is not available as an individual part.

*** Indicates consult Customer Service Department for additional information.

ITEM	PART NO.	1 2 3 4 5	DESCRIPTION	QTY.
1	892701		FORK.....	1
2	72995G01		SUSPENSION MOUNT	2
3	892764		HANDLE BAR.....	1
4	892781		AXLE & HUB ASSEMBLY (INCLUDES ITEMS 5 - 11).....	1
5	130084		HEX NUT, 5/8" -18	2
6	310854		JAM NUT, 1" - 14	1
7	815814		BEARING ADJUSTING NUT, 1" - 14	1
8	809156		THRUST WASHER, 9/16".....	4
9	840325		AXLE	1
10	306494		LOCK WASHER, 5/8"	2
11	892751		HUB ASSEMBLY (INCLUDES ITEMS 12 - 15).....	1
12	700290		GREASE SEAL	2
13	814473		BEARING	2
14	814474		BEARING RACE	2
15	843616		WHEEL BOLT, 1/2" - 20.....	4
16	632618		HANDLE BAR ASSEMBLY	1
17	120166		LOCK WASHER, 1/2"	1
18	301988		HEX NUT, 1/2" - 20.....	1
19	305134		JAM NUT, 7/8" - 14.....	2
20	520231		THRUST WASHER, 1 1/4"	1
21	551041		WOODRUFF KEY, #6.....	1
22				
23	800500		CARRIAGE BOLT, 3/8" - 16 X 1" LG	4
24	800610		HEX FLANGE BOLT, 7/16" - 20 X 3 1/2" LG	2
25	800612		LOCK NUT, 7/16" - 20	2
26				
27	800698		FLANGE LOCK NUT, 3/8" - 16.....	4
28				
29	807472		HANDLE GRIP	2
30	831909		BOOT	1
31	840318		HALF CLAMP	2

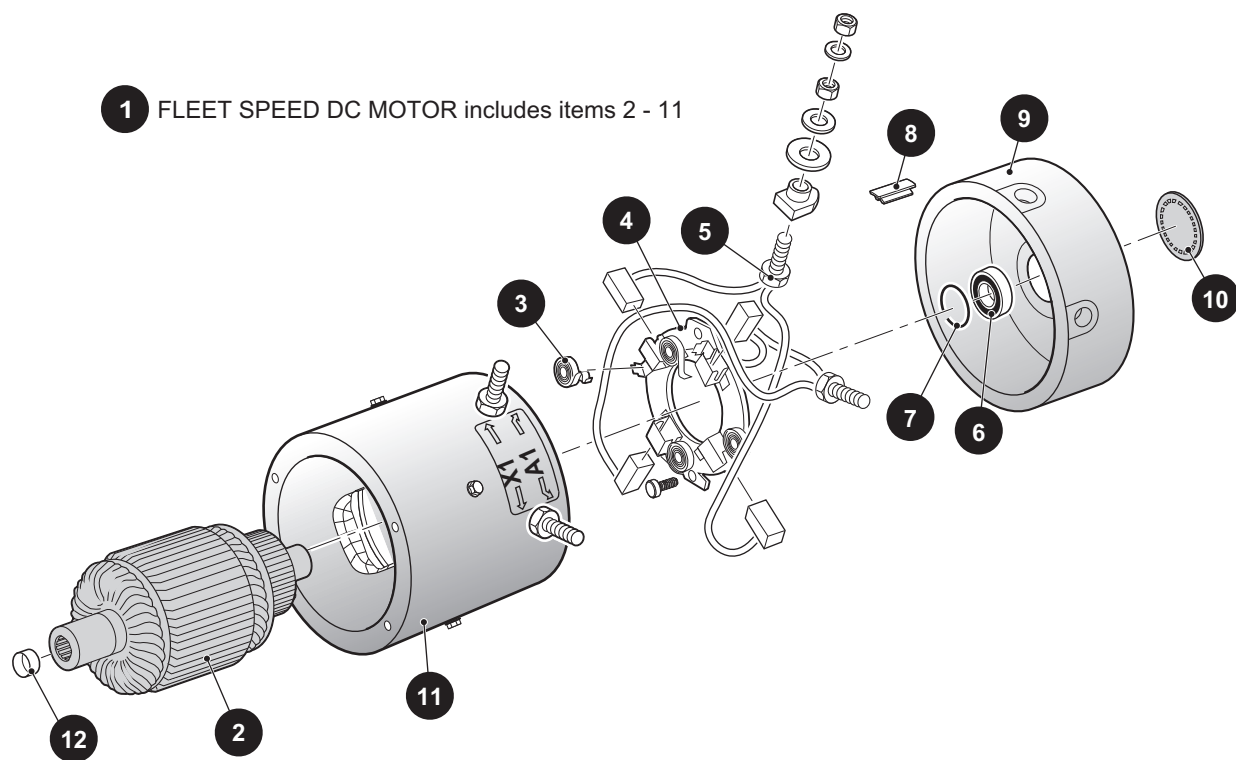
FORK, HUB AND HANDLEBAR

When ordering parts, please specify the model and serial number of the product.

* Indicates a component that is not available as an individual part.

*** Indicates consult Customer Service Department for additional information.

ITEM	PART NO.	1 2 3 4 5	DESCRIPTION	QTY.
32	840324		FLANGED BEARING	2
33	840372		RUBBER WASHER, 2"	1
34	840411		SPINDLE NUT, 17/9"	1
35	840412		FLAT WASHER, 7/16"	2
36	840458		SHAFT V RING, 1.70" - 1.89"	1
37	840479		FORK BRACKET, RH	1
38	840689		FORK BRACKET, LH	1



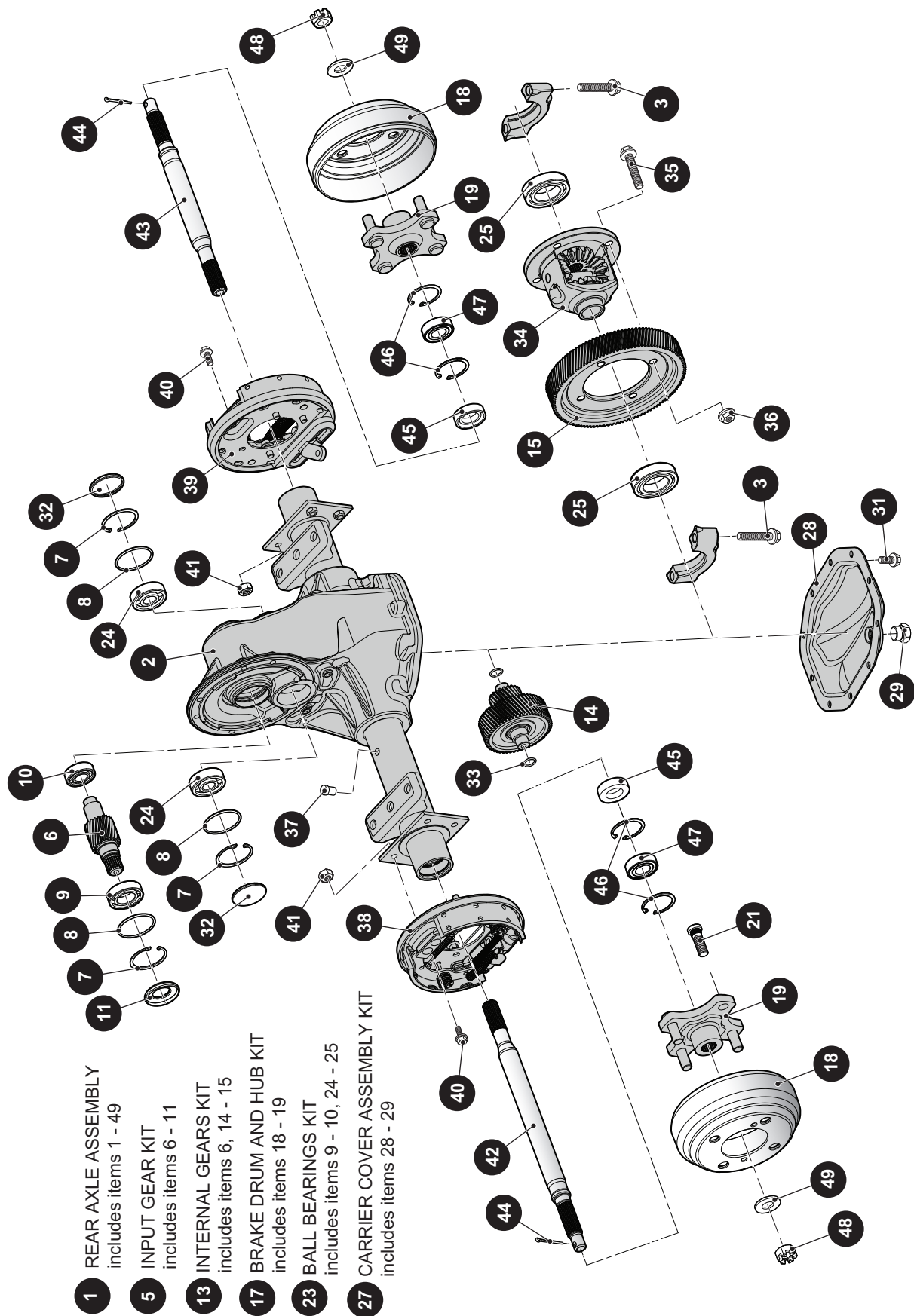
When ordering parts, please specify the model and serial number of the product.

* Indicates a component that is not available as an individual part.

*** Indicates consult Customer Service Department for additional information.

ITEM	PART NO.	1 2 3 4 5	DESCRIPTION	QTY.
1	73445G01		FLEET SPEED DC MOTOR (INCLUDES ITEMS 2-11).....	1
2	73120G01		ARMATURE.....	1
3	73120G03		BRUSH SPRING	4
4	625884		BRUSH BOX ASSEMBLY	1
5	73120G25		BRUSH REPLACEMENT KIT	1
6	73120G07		BEARING	1
7	73120G06		SNAP RING.....	1
8	625885		COVER.....	1
9	73120G08		COMMUTATOR END HOUSING.....	1
10	73120G16		CAP	1
11	73120G31		FRAME AND FIELD COIL (G02 MOTOR)	1
12	24261G1		SPLINE BUMPER.....	1

REAR AXLE



1 REAR AXLE ASSEMBLY
includes items 1 - 49

5 INPUT GEAR KIT
includes items 6 - 11

13 INTERNAL GEARS KIT
includes items 6, 14 - 15

17 BRAKE DRUM AND HUB KIT
includes items 18 - 19

23 BALL BEARINGS KIT
includes items 9 - 10, 24 - 25

27 CARRIER COVER ASSEMBLY KIT
includes items 28 - 29

REAR AXLE

When ordering parts, please specify the model and serial number of the product.

* Indicates a component that is not available as an individual part.

*** Indicates consult Customer Service Department for additional information.

ITEM	PART NO.	1 2 3 4 5	DESCRIPTION	QTY.
1	603791		REAR AXLE ASSEMBLY, 12.44:1 (INCLUDES ITEMS 1 - 42)	1
2	***		AXLE HOUSING (INCLUDES ITEM 3)	1
3	15118G1		FLANGED HEX HEAD BOLT, 3/8-16 X 2" LG, GRADE 5.....	4
4				
5	630717		INPUT GEAR KIT (INCLUDES ITEMS 6 - 11)	1
6	630663		INPUT GEAR	1
7	23530G1		RETAINING RING, 1" DIA.....	1
8	24628G1		O RING SEAL, 1.840" I. D.....	1
9	23519G2		BALL BEARING, 1.85" O.D. X 0.984" I. D.	1
10	23520G1		BALL BEARING, 1.97" O. D. X 0.669" I. D	1
11	612821		OIL SEAL.....	1
12				
13	630718		INTERNAL GEARS KIT (INCLUDES ITEMS 6, 14 - 15).....	1
14	630667		INTERMEDIATE GEAR ASSEMBLY	1
15	630677		DRIVE GEAR.....	1
16				
17	630716		BRAKE DRUM AND HUB KIT (INCLUDES ITEMS 18 - 19).....	1
18	616428		BRAKE DRUM.....	2
19	604112		REAR AXLE HUB.....	2
20				
21	19862G2		WHEEL BOLT, 1/2" - 20 X 1.72" LG	8
22				
23	612829		BALL BEARINGS KIT (INCLUDES ITEMS 9 - 10, 24 - 25)	1
24	601065		BALL BEARING.....	2
25	17473G1		DIFFERENTIAL BEARING ASSEMBLY	2
26				
27	612828		CARRIER COVER ASSEMBLY KIT (INCLUDES ITEMS 28 - 29)	1
28	612823		COVER PLATE.....	1
29	601085		HEX HEAD PLUG.....	1
30				
31	15558G1		FLANGE HEX HEAD COVER BOLT, 5/16"- 18 X 3/4" LG	10

REAR AXLE

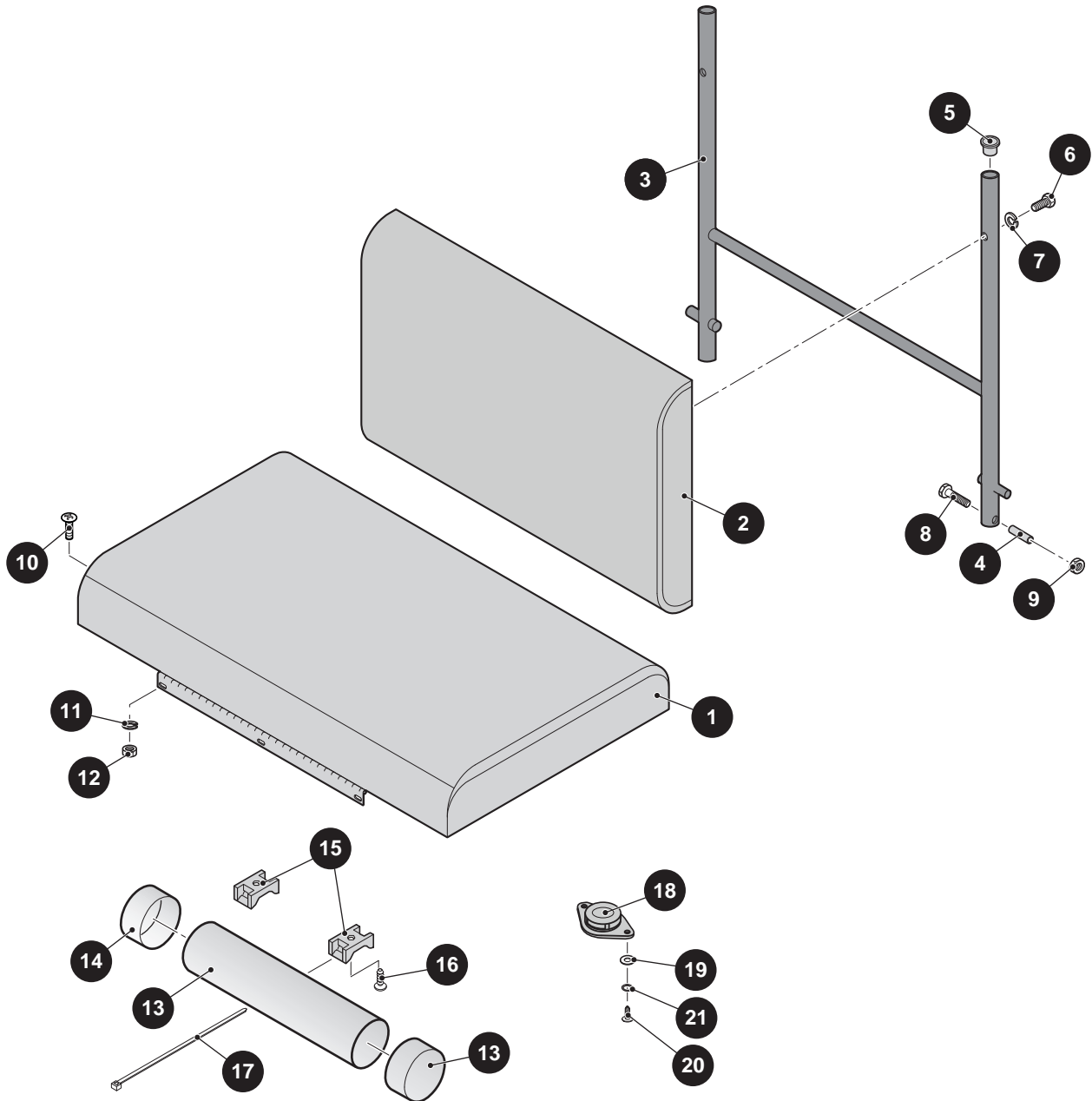
When ordering parts, please specify the model and serial number of the product.

* Indicates a component that is not available as an individual part.

*** Indicates consult Customer Service Department for additional information.

ITEM	PART NO.	1	2	3	4	5	DESCRIPTION	QTY.
32	601064						END CAP PLUG	2
33	601081						O RING	2
34	630678						DIFFERENTIAL ASSEMBLY	1
35	601083						HEX HEAD BOLT, 3/8"- 24 X 1" LG	4
36	601084						LOCK NUT, 3/8"- 24.....	4
37	620357						AXLE VENT	1
38	630698						BRAKE ASSEMBLY (LH).....	1
39	630699						BRAKE ASSEMBLY (RH).....	1
40	306450						HEX HEAD BOLT, 5/16"- 18 X 3/4" LG	8
41	548911						HEX NUT, 5/16"- 18	8
42	630700						AXLE SHAFT (LH).....	1
43	630732						AXLE SHAFT (RH)	1
44	630715						COTTER PIN, 0.125" X 1.50"	2
45	620344						OIL SEAL	2
46	620342						RETAINING RING.....	4
47	620343						BALL BEARING	2
48	612928						CASTEL NUT, 5/8"- 18	2
49	15487G1						BRAKE DRUM FLAT WASHER, 1 - 3/8"	2

SEATING



When ordering parts, please specify the model and serial number of the product.

* Indicates a component that is not available as an individual part.

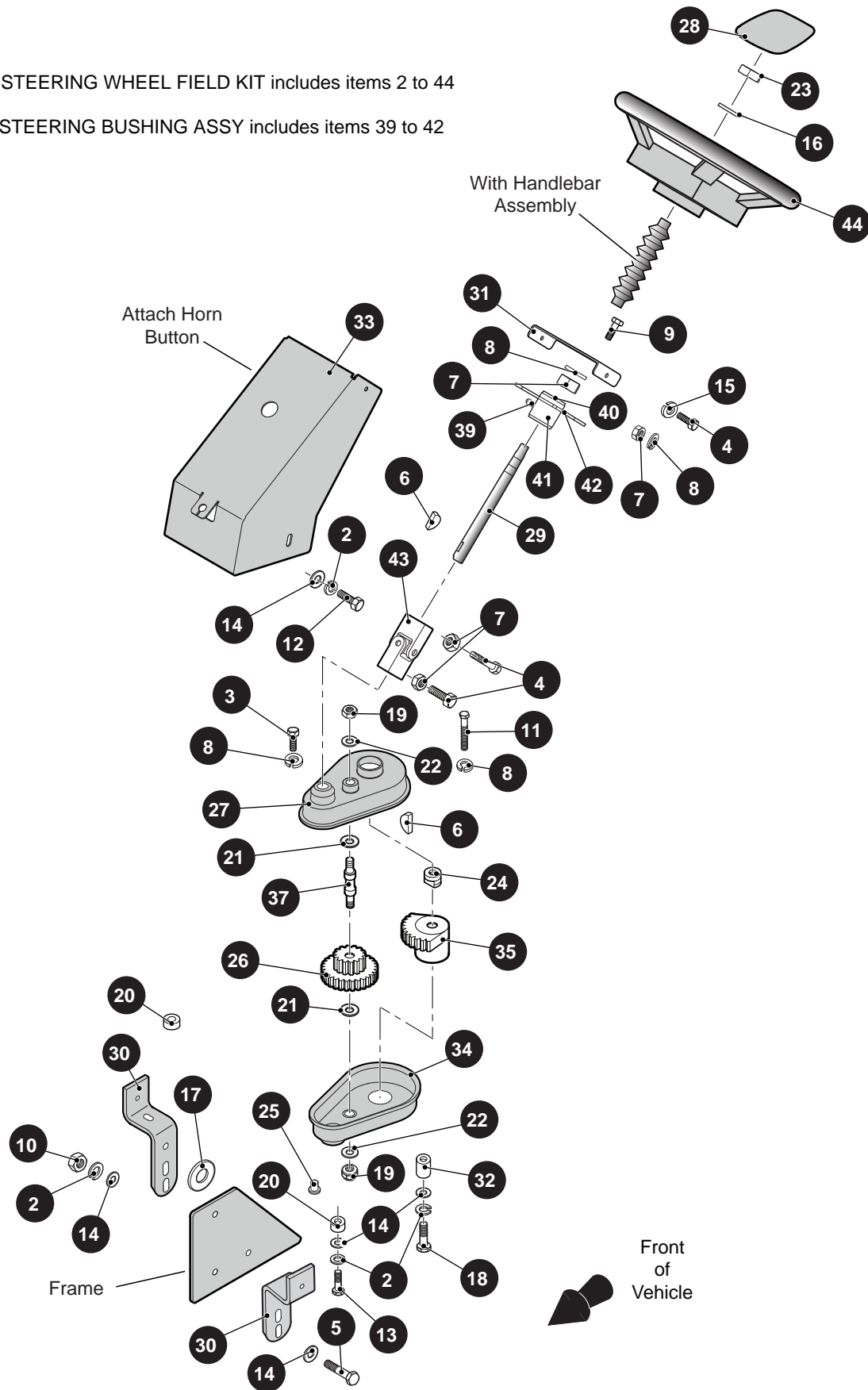
*** Indicates consult Customer Service Department for additional information.

ITEM	PART NO.	1 2 3 4 5	DESCRIPTION	QTY.
1	883938		SEAT	1
2	884683		BACKREST	1
3	892823		BACKREST FRAME	1
4	840499		BUSHING, 7/15" O. D. X 11/9" LG	2
5	826747		HOLE PLUG	2
6	600014		SCREW, 1/4" - 20 X 1 3/4" LG	4
7	306396		LOCK WASHER, 1/4"	4
8	306423		HEX HEAD BOLT, 5/16" - 18 X 1 3/4" LG	2
9	800697		FLANGE LOCK NUT, 5/16" - 18	2
10	800271		PHILLIPS PAN HEAD SCREW, # 10 - 24 X 1/2" LG	3
11	120052		LOCK WASHER, # 10	3
12	306531		HEX NUT, # 10 - 24	3
13	38541		DOCUMENT TUBE	1
14	38061A		VINYL CAP	2
15	840508		CABLE TIE MOUNT	2
16	800344		PHILLIPS TRUSS HEAD TAPPING SCREW, # 10 - 16 X 5/8" LG	2
17	823549		WIRE TIE, 15.5"	2
18	158135-01		SEAT SWITCH	1
19	308089		FLAT WASHER, #10	2
20	800299		SCREW, #10 - 24 X 1" LG	2
21	120052		LOCK WASHER, # 10	2

STEERING WHEEL ACCESSORY

1 STEERING WHEEL FIELD KIT includes items 2 to 44

38 STEERING BUSHING ASSY includes items 39 to 42



STEERING WHEEL ACCESSORY

When ordering parts, please specify the model and serial number of the product.

* Indicates a component that is not available as an individual part.

*** Indicates consult Customer Service Department for additional information.

ITEM	PART NO.	1 2 3 4 5	DESCRIPTION	QTY.
1	53101G02		STEERING WHEEL FIELD KIT (INCLUDES ITEMS 2 - 44)	1
2	120177		LOCK WASHER, 3/8"	8
3	302030		HEX HEAD BOLT, 1/4" - 20 X 1 1/4" LG.....	3
4	302288		HEX HEAD BOLT, 1/4" - 20 X 1" LG.....	4
5	302600		HEX HEAD BOLT, 3/8"- 16 X 1 1/2" LG.....	3
6	306367		WOODRUFF KEY, 0.188 X 0.750" LG	2
7	306375		HEX NUT, 1/4" - 20	8
8	306396		LOCK WASHER, 1/4"	13
9	00414G5		HEX HEAD BOLT, 1/4" - 20 X 0.62" LG.....	4
10	306562		HEX NUT, 3/8" - 16.....	3
11	306832		HEX HEAD BOLT, 1/4" - 20 X 2" LG.....	4
12	306834		HEX HEAD BOLT, 3/8" - 16 X 3/4" LG.....	2
13	306835		HEX HEAD BOLT, 3/8" - 16 X 1 1/4" LG.....	2
14	306981		FLAT WASHER, 3/8"	11
15	308090		FLAT WASHER, 1/4"	2
16	311496		FLAT WASHER, 5/8"	1
17	517663		FLAT WASHER, 2"	1
18	2702248		HEX HEAD BOLT, 3/6" - 16 X 1 3/4" LG.....	1
19	800612		CROWN LOCK NUT, 7/16" - 20	2
20	808935		SPACER, 7/9" O.D. X 4/9" I.D. X 1/3" LG.....	2
21	816446		FLAT WASHER, .44" X1.00" X .11"	2
22	816449		FLAT WASHER, 0.44" X 1.12" X .13"	2
23	816652		STEERING WHEEL NUT, 1-1/4"	1
24	825672		STEERING BUSHING NUT, 1.125".....	1
25	825919		HOLE PLUG	1
26	830168		CLUSTER GEAR.....	1
27	891167		UPPER HOUSING	1
28	840017		STEERING WHEEL CENTER COVER.....	1
29	840981G01		STEERING WHEEL SHAFT.....	1
30	840982G01		STEERING SUPPORT	2
31	844264G01		WHEEL MOUNT PLATE.....	1

STEERING WHEEL ACCESSORY

When ordering parts, please specify the model and serial number of the product.

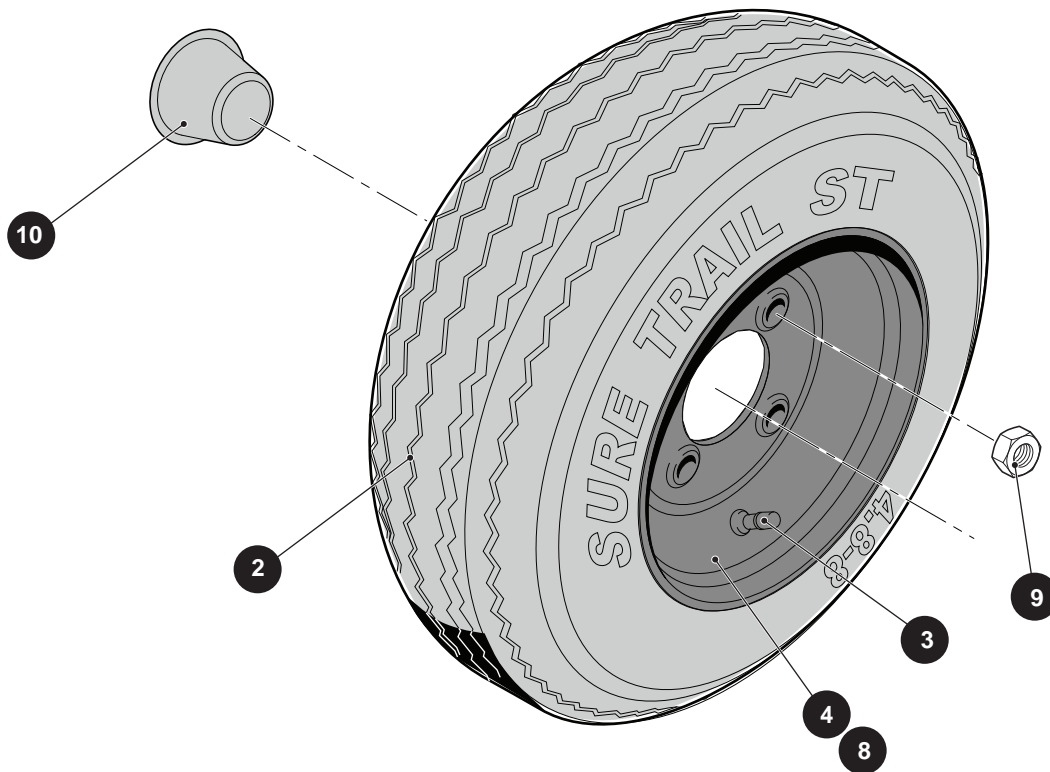
* Indicates a component that is not available as an individual part.

*** Indicates consult Customer Service Department for additional information.

ITEM	PART NO.	1	2	3	4	5	DESCRIPTION	QTY.
32	844290						BUSHING, 7/9" O. D. X 4/9" I. D.	1
33	844292G01						STEERING COVER	1
34	891167						STEERING HOUSING	1
35	886913						DRIVEN GEAR ASSEMBLY	1
36								
37	816452						IDLER SHAFT, 7/16" - 20 X 3.7" LG	1
38	891597G01						STEERING BUSHING ASSEMBLY (INCLUDES ITEMS 39 - 42)	1
39	548225						LUBE FITTING	1
40	827188						STEERING BEARING	2
41	827189						STEERING BUSHING	1
42	827384						STEERING BUSHING PLATE	1
43	891680						UNIVERSAL JOINT ASSEMBLY	1
44	892228						STEERING WHEEL, 14"	1

WHEELS AND TIRES

- 1 TIRE AND WHEEL ASSY, 4.8 X 8 LRB, BLACK includes items 2 - 4
- 5 TIRE AND WHEEL ASSY, FOAM FILLED, BLACK includes items 2 - 4
- 6 TIRE AND WHEEL ASSY, 4.8 X 8 LRB, SILVER includes items 2, 3 and 8
- 7 TIRE AND WHEEL ASSY, 4.8 X 8 LRB, SILVER includes items 2, 3 and 8



WHEELS AND TIRES

When ordering parts, please specify the model and serial number of the product.

* Indicates a component that is not available as an individual part.

*** Indicates consult Customer Service Department for additional information.

ITEM	PART NO.	1 2 3 4 5	DESCRIPTION	QTY.
1	600424		WHEEL AND TIRE ASSY, 4.8 X 8 LRB, BLACK (INCLUDES ITEMS 2 - 4) ..	3
2	602494		SPORT TRAIL TIRE, 4.8 X 8 LRB.....	1
3	11657G1		VALVE STEM.....	1
4	33678G02		BLACK WHEEL	1
5	600450		WHEEL AND TIRE ASSY (FOAM FILLED), BLACK (INCLUDES ITEMS 2 - 4).....	3
6	619265		WHEEL AND TIRE ASSY, 4.8 X 8 LRB, SILVER (INCLUDES ITEMS 2, 3 AND 8)	1
7	619266		TIRE & WHEEL ASSY (FOAM FILLED), SILVER (INCLUDES ITEMS 2, 3 AND 8)	1
8	33678G03		SILVER WHEEL	1
9	14723G01		LUG NUT, 1/2"- 20	12
10	74175G01		DUST COVER.....	2



CUSHMAN™

E-Z-GO Division of Textron Inc.,
1451 Marvin Griffin Road, Augusta, Georgia 30906 - 3852 USA

TO CONTACT US...

North America:

Technical Assistance & Warranty Phone: 1-800-774-3946, FAX: 1-800-448-8124

Service Parts Phone: 1-888-GET-E-Z-GO (1-888-438-3946), FAX: 1-800-752-6175

International: Phone: 001-706-798-4311, FAX: 001-706-771-4609

Service Parts Manuals, as well as Repair and Service Manuals
are available from a local Distributor, an authorized Branch,
Genuine E-Z-GO Parts & Accessories Department or at www.shopezgo.com.

Copyrighted Material
This manual may not be reproduced in whole or
in part without the express permission of
E-Z-GO Division of Textron Inc.
Technical Communications Department