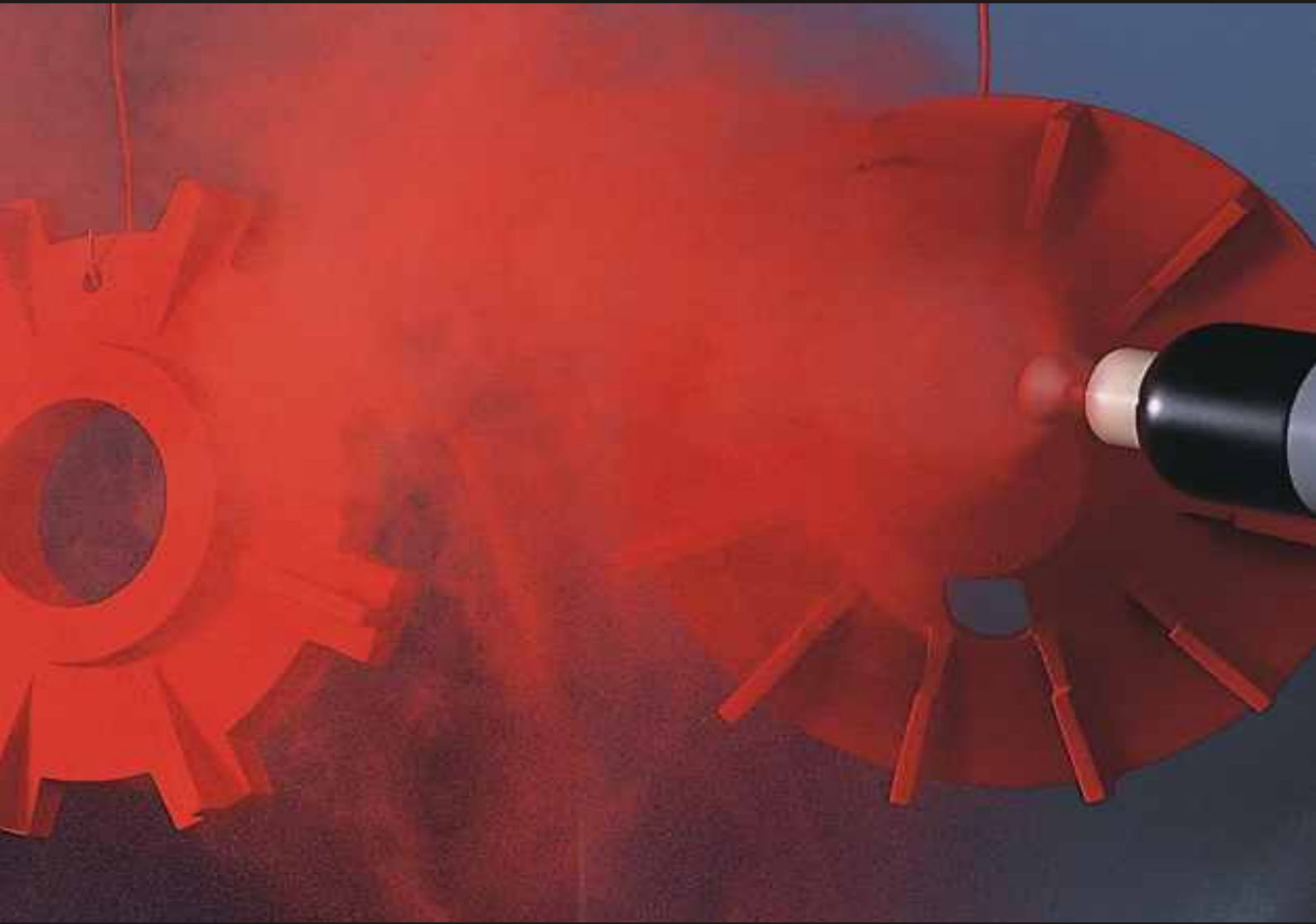


MITSUBA

SYSTEMS (I) PVT.LTD.



SUPERIOR FINISH
CONSISTENT QUALITY.

MULTISTATIC™ 700 SUPREME



(US PATENT NO. 5678770).

THE CORONA INFINITI™ GUN

OPERATOR-PROOF.
SHOP FLOOR-PROOF.



The all-new Multistatic 700 powder system has advanced features to make the whole powder coating process quick, easy and efficient.

- ⊙ Features a 100 KV built-in electrostatic high voltage generator for enhanced transfer efficiency and reduced wastage.
- ⊙ A powder pathway constructed from wear-resistant material, specially rounded to prevent impact fusion and thus provide a smooth uninterrupted flow.
- ⊙ Coating speed stepped-up by 20%.
- ⊙ Easily maneuverable, well balanced and efficient powder coating gun made from high impact-unbreakable plastic body.
- ⊙ The gun has a patented replaceable power cartridge. (Mitsuba US patent no. 5678770). In the unlikely event of a malfunction, all you do is...



...simply pull the barrel



replace the power cartridge



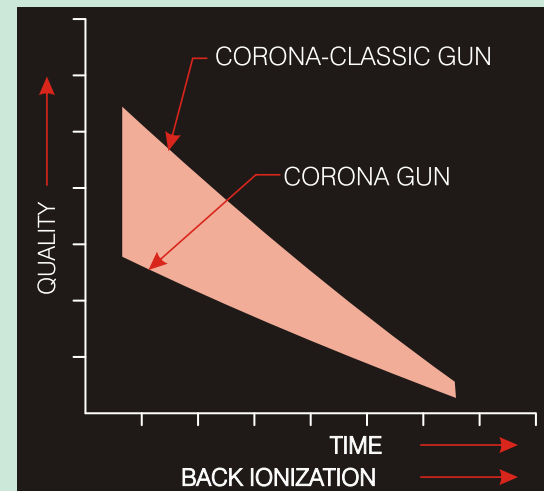
tighten the nut and you're to go

THE CORONA-CLASSIC ATTACHMENT. FOR A SUPERIOR FINISH.



Produce a substantially superior finish even at higher thickness.

- Can be fitted to both, manual and automatic guns.
- Eliminates wandering charges for disturbance free coating. Reduces 'orange peel effect'.
- Eliminates 'Faraday's Cage Effect', facilitates depth penetration and coating of recessed areas.
- Allows thicker film build-up, if needed.
- Improves coating on welded areas.
- Ideal for re-coating.



SMART TRACKER SERIES 700

A PERFORMANCE MONITOR WITH
A TRENDESETTING CONCEPT



The new Smart Tracker 700 is a high end diagnostic system which constantly monitors and indicates the performance of every component in the equipment. Even unskilled labour can detect a trouble spot with ease, swiftness and precision. And thanks to the unique plug in-plug out design, the problem can be rectified immediately. In a nutshell, Smart Tracker ensures your system is always in a perfect working condition.



THE TRIBO GUN

Tribo Gun gives better coating quality & eliminates Faraday's cage effect, thus providing a total solution to meet any coating requirement.



FEATURES

- ③ 3 piece Stainless Steel Round Hopper. Mirror finish for super fast colour change.
- ③ New improved high flow pump with increased ventury life.
- ③ Plug - in plug - out connections.

FAST COLOUR CHANGE WITH SMART BULLETS



PUMP ASSEMBLY



THE TRIBO GUN

Tribo Gun gives better coating quality & eliminates Faraday's cage effect, thus providing a total solution to meet any coating requirement.

LANCE EXTENSIONS

These are ideal for spraying large and deep objects.



THE POWDER CUP GUN SYSTEM

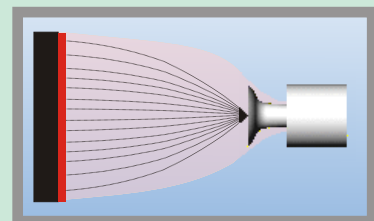
The cup attachment can be fitted to any standard Infiniti™ gun.

Sampling Cup Attachment

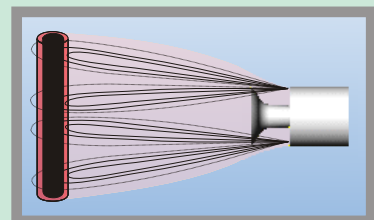


TYPES OF NOZZLES

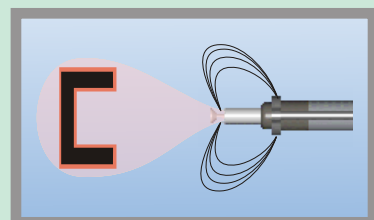
Mitsuba provides a choice of electrode configurations to permit uniform coverage with minimum over spray and maximum ease.



Center electrode system for high transfer efficiency.



Edge charging system, excellent wrap arounds.



Corona-Classic, complete coverage of contoured pieces.



EFFICIENCY METER

- ⊙ Mitsuba supplies a wide range of meters that ...
- ⊙ Measures Corona Tip high voltage.
- ⊙ Measures levels of charge in a Corona & Tribo Powder cloud.
- ⊙ Measure earthing of the system
- ⊙ Displays both +ve and -ve polarities.



SPRAY GUN ATTACHMENTS

Multifaceted, Innovative, Efficient



Flat Jet



4 Slit Flat Jet



Deflector



Extended Deflector



Metallic



Swivel



10 Kgs



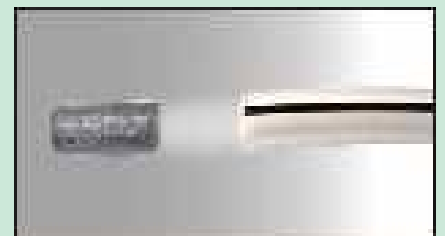
15 Kgs



25 Kgs

Different sizes of hoppers are available to suit specific needs, including 2 kg, 10 kg, 15 kg, 25 kg, 50 kg, 100 kg, 150 kg.

FAST COLOUR CHANGE WITH SMART BULLETS



MITSUBA SYSTEMS

ICOAT SERIES



Makes Powder Coating Quick, Easy & Efficient

EASY TO USE, APPLICATION ORIENTED PANEL ICOAT SERIES



SELECT MODE Just choose your desired mode and set the coating results.

◎ SMART TRACKER :

A Performance Monitor which constantly evaluates the system. Even unskilled labor can detect a trouble spot with ease rapidly. And thanks to the unique plug in-plug out design, the problem can be rectified immediately so, Smart Tracker ensures system is always in a perfect working condition.



◎ PROGRAMMABLE TO SUIT VARIOUS CONFIGURATION OF THE OBJECTS :

99 pre set programs of powder flow and KV settings, ensure perfectly repeatable results.



◎ MOBILE REMOTE CONTROL FOR POWDER AND KV :

No need to go to control panel to adjust powder flow or KV. With ICOAT 1100, adjust powder flow from remote itself.

◎ POWDER FLOW LOCK :

Your old wish comes true. Since powder flow indication is in gms/min, you can decide the quantity of powder you wish to spray. And even lock the setting.

◎ DISPLAY OF OPERATIONAL DETAILS :

Actual spray time and including amount of powder

ONE TOUCH MODE CHANGE

ICOAT SERIES

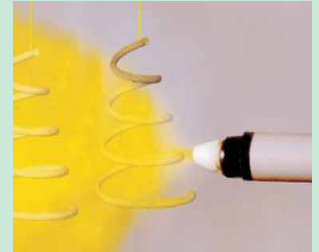
HIGH- EFFICIENCY MODE provides consistent superior transfer efficiency. Ideal for large area components and High throughput.



FEEDBACK MODE allows fast and automatic voltage adjustments to take place over a wide range of gun to part distance. Ideal for coating a large variety of differently shaped surfaces.

DEEP RECESS MODE eliminates all problems in coating interiors and complexities.

RECOAT MODE virtually disables back ionisation making it ideal for recoating coated parts.



USER DEFINED MODE can be set by you to cater to your most widely used function. e.g. Set at 75kV for coating metallic powders on complex aluminium extrusions.

THE TRIBO GUN :

- ⦿ Supplements the Corona sprayer thus providing a total solution for meeting any coating requirement.
- ⦿ A new streamlined design makes it light weight and well balanced.
- ⦿ Turbulators ensure hyper charging of powder.



- ⦿ Adjustable nozzle allows easy spray pattern control.
- ⦿ Assured uniform coverage of any shape, no matter how complex.

MITSUBA SYSTEMS

ICOAT SERIES

ICOAT™ SERIES POWDER SPRAY SYSTEM - SCOPE OF SUPPLY

| | |
|--|-----|
| a) Integrated 100KV Infiniti Corona Gun(U.S. Patent No.5678770) with detachable remote | 1No |
| b) Electro pneumatic digital control panel with displays & controls for following modes : Powder flow indication in gms/min Total time sprayed indication Total powder sprayed indication User settable 99 programs Cordless Remote control to control powder output and KV High Efficiency Mode. Deep Recess Mode. Recoat Mode. | 1No |
| c) Convenience Equipment Trolley | 1No |
| d) Stainless Steel Hopper Round- 25Kgs with Pump. | 1No |
| e) Complete set of Nozzles, Cables, Hoses & Accessories for start up. | 1No |

PNEUMATIC DATA

| | |
|--|-------------------------|
| Maximum input pressure | 7 bar |
| Optimum input pressure | 6 bar |
| Maximum water vapour content in compressed air | 1.3 g/Nm ³ |
| Maximum oil vapour content in compressed air | 0.1 ppm |
| Maximum Compressed air consumption | 13.2m ³ / hr |
| Maximum Powder Flow Rate | 350 gms / min |

ELECTRICAL DATA

| | |
|--|-------------------------------|
| Single phase AC current, selectable voltages | 220V or 230/110V |
| Frequency | 50 / 60 Hz. |
| Connected loads | 65VA |
| Safety class | IP 54 (P43) |
| Temperature Range | 2 C to 50 C |
| Nominal Input Voltage | 10 V eff. |
| Output Voltage | 100 KVDC -ve (+ve on request) |
| Nominal Output Current | 100 micro amps. |

MULTISTATIC™ 700 DIPSTICK



The Dipstick™ is a powerful vibrating pump. Just insert the one piece Dipstick™ into any powder box and spray. Suitable for Corona and Tribo guns.

For a quick, efficient and economical colour change :

1. Remove Dipstick™ from the box.
 2. Clean previous colour by blowing air on the Dipstick™.
 3. Insert into another box & spray.
- ⊙ Features an integrated 100KV built-in electrostatic high voltage generator for enhanced transfer efficiency and reduced wastage.
 - ⊙ The gun has a patented replaceable power cartridge. (Mitsuba US patent no. 5678770). In the unlikely event of a malfunction, all you do is



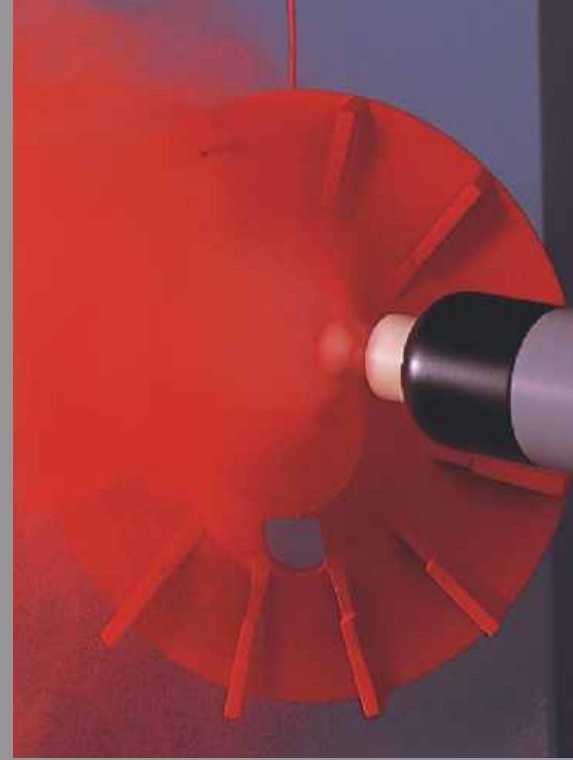
...simply pull the barrel



replace the power cartridge



tighten the nut and you're ready to go



SCOPE OF SUPPLY

- ⊙ A corona powder spray gun with an integrated 100KV electrostatic high voltage generator and patented replaceable power cartridge.
- ⊙ Dual electro-pneumatic control panel with a trendsetting new Smart Tracker. Corona & Tribo gun can be operated from the same panel.
- ⊙ New Dipstick™ and vibratory tray on Trolley.

PNEUMATIC DATA

Optimum Input Pressure : 6 bar
 Max water vapour required : 1.3 g/m³
 Max oil vapour required : 0.1 ppm
 Maximum air consumption : 13.2 m³/hr

ELECTRICAL DATA

Single phase AC : 220V or 230V / 110V
 Safety class : IP 54
 Temp Range : +2°C to 50°C
 Input Voltage : 10V eff
 Output Voltage : 100KV DC
 Output Current : 100µA

FAST COLOUR CHANGE WITH SMART BULLETS



SMART TRACKER



SAMPLING CUP ATTACHMENT



WIDE RANGE OF NOZZLES

MULTISTATIC™ 700 TWIN SERIES



Member of MULTISTATIC CORONA HOPPER SERIES specially designed for online powder coating plant.

- ⊙ Operate two guns simultaneously from one control panel
- ⊙ Features an integrated 100KV built-in electrostatic high voltage generator for enhanced transfer efficiency and reduced wastage.
- ⊙ Individual powder and KV setting for each system
- ⊙ Powder feeding through the same hopper to assure uniformity in powder feeding

The gun has a patented replaceable power cartridge.(Mitsuba US patent no.5678770). In the unlikely event of a malfunction, all you do is



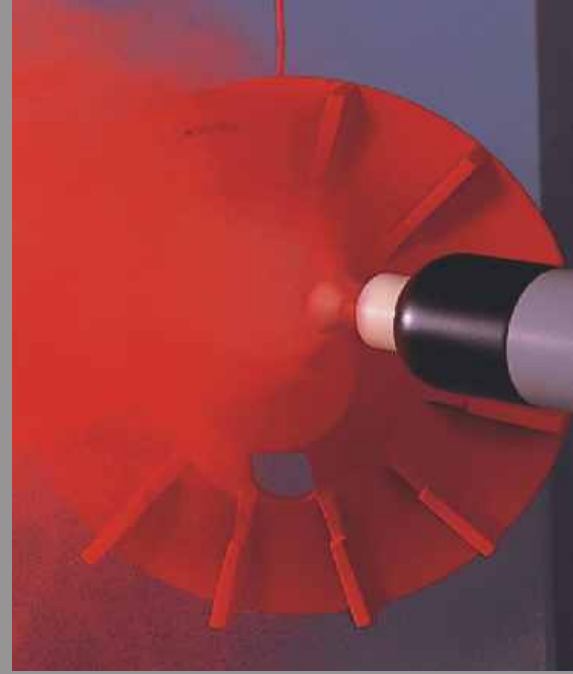
...simply pull the barrel



replace the power cartridge



tighten the nut and you're ready to go



SCOPE OF SUPPLY

- ⊙ A corona powder spray gun with an integrated 100KV electrostatic high voltage generator and patented replaceable power cartridge.
- ⊙ Electro pneumatic Control Panel suitable for 2 Corona OR 2 Tribo Guns
- ⊙ Stainless steel powder hopper 25 Kgs; Powder pump output 0-30 kgs/hr; Trolley; All accessories for startup.

PNEUMATIC DATA

Optimum Input Pressure :6 bar
 Max water vapour required : 1.3 g/m³
 Max oil vapour required : 0.1 ppm
 Maximum air consumption:26.4 m³/hr

ELECTRICAL DATA

Single phase AC : 220V or 230V / 110V
 Safety class: IP 54
 Temp Range:+2°C to 50°C
 Input Voltage: 10V eff
 Output Voltage:100KV DC

FAST COLOUR CHANGE WITH SMART BULLETS



TRIBO COMPATIBLE EQUIPMENT



SAMPLING CUP ATTACHMENT



WIDE RANGE OF NOZZLES

SPRAYRIGHT™ 700 PREMIUM



ADVANTAGES

- ⊙ Integrated 100KV built in electrostatic high voltage generator
- ⊙ Specially rounded pathway to prevent impact fusion ensures smoother flow.
- ⊙ Dual gun usage -Corona or Tribo
- ⊙ New compact control panel of IP 54 Standards promotes easier maintenance.
- ⊙ 3 piece stainless steel powder hopper allows for fast cleaning



MOULDED CORONA GUN

FAST COLOUR CHANGE WITH SMART BULLETS



SCOPE OF SUPPLY

- ⊙ A Corona Powder Spray Gun with integrated 100 KV Electrostatic high voltage generator
- ⊙ Dual electro-pneumatic control panel suitable for both Corona and Tribo Guns
- ⊙ Stainless Steel 10KG hopper with powder pump output of 0-30 Kg/Hr
- ⊙ Trolley with all other accessories required for start up

TRIB



TRIBO CONTROL UNIT

FOR MANUAL & AUTOMATIC GUNS



- ⊙ Allows individual control of powder flowrate and powder diffusion.
- ⊙ Charge Display Module monitors Tribo charge current.



FEATURES

- ⊙ 3 piece Stainless Steel Round Hopper. Mirror finish for super fast colour change.
- ⊙ New improved high flow pump with increased ventury life.
- ⊙ Plug - in plug - out connections.



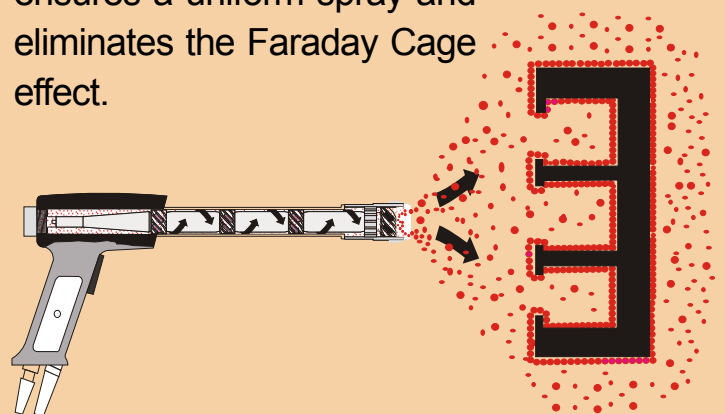
PUMP ASSEMBLY

TRIBO PRINCIPLE

A new positive powder charging technique without high tension generators:

It is a self exciting ion generator that charges individual powder particles without generating field lines or ionizing air. Faraday cage is eliminated, resulting in perfect finishes even on the most complex shapes.

Electrostatic friction charging ensures a uniform spray and eliminates the Faraday Cage effect.



SPRAYRIGHT TABLE-TOP SERIES - EXPERT

Suitable for both Corona & Tribo Guns

- ⊙ A small handy Table-Top System accommodating a complete powder spray system suitable for both Corona & tribo Guns.
- ⊙ Ideal for big as well as small production runs, sampling, colour matching prior to powder batch productions and powder trials at customer's premises.
- ⊙ Can be converted to a full fledged Production model by the addition of below mentioned optional accessories
- ⊙ For Extreme small trails powder cup attachments can be utilized with this system(need to be purchased at Extra cost)

SPECIFICATIONS

| | |
|-------------------------|--|
| Size | : 21" x 11" x 18" (533mmx279mm x457mm) |
| weight | :2kgs(26pounds) |
| Input voltage | : Selectable 220V/230V/110V 50/60 Hz, 50VA |
| Max Input pressure | : 10 bar |
| Optimum Input pressure: | 6 bar |



SCOPE OF SUPPLY

- ⊙ 100 Kv Corona Gun with panel
- ⊙ Powder Spray Control Panel.
- ⊙ Round Spray Muzzle (25mm,18mm, 15mm) Deflectors
- ⊙ Flat Spray Muzzle.
- ⊙ Powder Hopper 2kg with pump.
- ⊙ Accessories.
- ⊙ Tribo Gun(optional at Extra cost).

Optional Accessories to be specially Ordered:



CONTROL PANEL



TRIBO GUN



CORONA GUN



HOPPER



PUMP

Expansion Accessories can be added at extra cost to convert this system into a full scale industrial production Model.

SPRAYRIGHT TABLE-TOP SERIES - PRO

Suitable for both Corona & Tribo Guns

- Perfect entry level system for end users having small production runs.
- A small handy Table-Top System accommodating a complete powder spray system suitable for both Corona & tribo Guns.
- Ideal For the small jobber & serious hobbyist.
- Excellent for powder trials

SPECIFICATIONS

| | |
|-------------------------|--|
| Size | : 18" x 11" x 18" (457mm x 279 mmx 457mm) |
| Weight | : 8 Kgs (16 pounds) |
| Input voltage | : Selectable 220V/230V/110V 50/60 Hz, 50VA |
| Max Input pressure | : 7 bar |
| Optimum Input pressure: | 6 bar |



SCOPE OF SUPPLY

- A Corona Gun with integrated 100 KV HV generator.
- Powder Spray "Pro" Control Panel.
- Round Spray Muzzle (25 mm, 18 mm, 15mm) Deflectors
- Flat Spray Muzzle.
- Powder Hopper 2kg with pump.
- Accessories.
- Tribo Gun(optional at Extra cost).



CONTROL PANEL



TRIBO GUN



CORONA GUN



HOPPER



THE COMPLETE PORTABLE SYSTEM

FOR LAB & AT SITE USAGE

- ⊙ A small handy case accommodates a complete powder spray system including both Corona and Tribo Guns.
- ⊙ Ideal for big as well as small production runs, sampling, colour matching prior to powder batch productions and powder trials at customer's premises.
- ⊙ The Lightweight aluminum bag provides a solid and safe packing and is suitable for transportation by air or car for all site trials.

SPECIFICATIONS

Briefcase size : 20" x 16" x 10"
(525mm x 410mm
x 260mm)

Briefcase weight : 17kgs (22pounds)

Input voltage : Selectable
220V / 230V / 110V
50/60 Hz, 50VA

Max Input pressure : 10 bar

Optimum Input
pressure : 6 bar



SCOPE OF SUPPLY

- ⊙ 100 KV Corona Gun with panel
- ⊙ Tribo Gun (Optional)
- ⊙ 2kg hopper with pump
- ⊙ Fluidizing powder cup.
- ⊙ Gravity powder cup.
- ⊙ Round Spray Muzzle (24 mm, 18 mm),
- ⊙ Flat Spray Muzzle & Metallic Muzzle
- ⊙ Corona Classic Attachment



PORTABLE CASE



TRIBO GUN



CORONA GUN



FLUIDISING CUP

POWDER COATING GUN

FOR TEFLON, NYLON, HALAR, PFA POWDERS



Mitsuba offers unique powder coating gun for Teflon, Nylon, Halar, PFA powders. As these powders have their own coating challenges and charging characteristics, regular Powder coating guns do not deliver an optimum result. Specially designed powder coating gun are needed as these powders are very expensive & also difficult to handle.

- ◎ 100 KV corona gun with negative polarity.
- ◎ Single control panel to operate both the guns.
- ◎ Lower initial cost.
- ◎ 5kg and 10Kg hopper saves expensive powders.
- ◎ Sampling cup for small batch runs.

FAST COLOUR CHANGE GUN

WORLDWIDE FAVOURITE AMONGST POWDER MANUFACTURERS

5 UNBEATABLE ADVANTAGES

- ⦿ Extra fast colour change in seconds.
- ⦿ Used in labs for testing powder & resin.
- ⦿ Spray very small quantities of powder.
- ⦿ Suitable for all powder types like Epoxy, Polyethylene, Hybrid, Polyurethane, etc. Also sprays Metallic powder.
- ⦿ Can operate both Corona as well as Tribo charging guns.

SPECIFICATIONS

| | |
|--------------------|--|
| Size | : 27 x 9.5 x4.5cm |
| Weight | : 8 kgs |
| Input voltage | :Selectable 220V/230V/110V 50/60Hz, 50VA |
| Max Input pressure | : 7 bar |



SCOPE OF SUPPLY

- ⦿ 100KV Integrated Moulded Corona Gun
- ⦿ Electro pneumatic control panel having Smart Tracker Peak Performance Monitor & suitable for Corona & Tribo Guns
- ⦿ 100gms Sampling Cup
- ⦿ Flat spray muzzle and nozzle
- ⦿ Metallic Muzzle
- ⦿ All accessories for startup



CONTROL PANEL



TRIBO GUN



CORONA GUN



METALLIC MUZZLE

CORONA POWDER SPRAY SYSTEM FOR FPI



Cracks clearly visible
after fluorescent spray



Spraying developer powder is one of the most crucial steps in Fluorescent Penetrant Inspection process. Mitsuba has mastered the art and science of electrostatic spray of developer powder.

BENEFITS

- Special powder feeding system for developer powder
- Entire range of nozzles to select from for highest transfer efficiency.
- A most easily maneuverable, well balanced and efficient powder gun constructed from wear-resistant material, specially rounded to prevent impact fusion and thus provide a smooth uninterrupted flow.

SCOPE OF SUPPLY

A corona powder spray gun with an integrated 100KV electrostatic high voltage generator and patented replaceable power cartridge specially made for the FPI process

Dual electro- pneumatic control panel with a trendsetting new Smart Tracker. Corona & Tribo guns can be alternately operated on the same panel

Stainless steel powder hopper 25 Kgs with Stirrer, Trolley, All accessories for startup

PNEUMATIC DATA

Optimum Input Pressure : 6 bar
Max water vapour required: 1.3 g/m³
Max oil vapour required : 0.1 ppm
Maximum air consumption : 13.2 m³/hr

ELECTRICAL DATA

Single phase AC : 220V or 230V / 110V
Safety class : Ip54
Temp Range : +2°C to 50°C
Input Voltage : 10V eff
Output Voltage : 100KV DC
Output Current : 100µA



SMART TRACKER



STIRRER HOPPER



WIDE RANGE OF NOZZLES

MULTISTATIC 700 BN

THE BORON NITRIDE COATING APPLICATION TO ENSURE
QUALITY & EFFICIENCY FOR ALUMINIUM EXTRUSION PROCESS



MULTISTATIC 700 BN

FOR AN OUTSTANDING FINISH ON EXTRUDED ALUMINIUM

- ⊙ Integrated 100KV high voltage generator for reduced wastage, high transfer efficiency.
- ⊙ Easily maneuverable, well balanced and efficient powder gun constructed from wear-resistant material, specially rounded to prevent impact fusion for smooth flow.
- ⊙ Easily applies Boron Nitride Lubricant between dummy block and billet. Application is dry, without any carrier.

ADVANTAGES

- ⊙ Outstanding release properties and lubrication
- ⊙ Improved safety and cleanliness : no open flames
- ⊙ Reduced coating frequency : shorter down times- increased productivity
- ⊙ Not harmful to health

SCOPE OF SUPPLY

- ⊙ Integrated 100KV high voltage corona sprayer.
- ⊙ Electro-pneumatic control panel with a trendsetting new SmartTracker.
- ⊙ Conical Stainless steel hopper 10 Kgs for uniform application and even spray. Powder pump (0-30 kgs/hr); Trolley; All accessories for startup.

AUTOMATED BILLET COATING SYSTEM

- ⊙ Automatically coats leading edge of Billet.
- ⊙ Accepts Signal of billet in front of Fixed Gun.
- ⊙ User set table timing system for coating parameter setting.

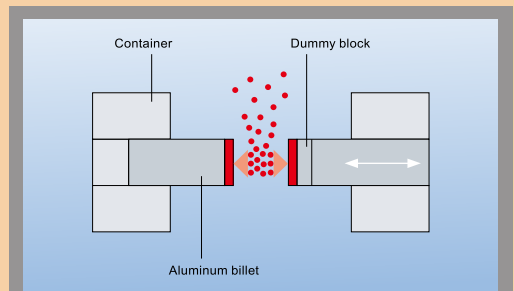
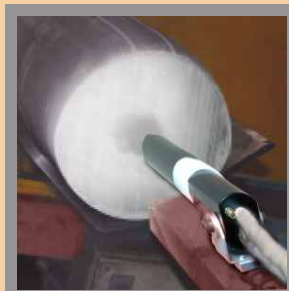


PNEUMATIC DATA

| | |
|---------------------------|---------------------------|
| Optimum Input Pressure | : 6 bar |
| Max water vapour required | : 1.3 g/m ³ |
| Max oil vapour required | : 0.1 ppm |
| Maximum air consumption | : 13.2 m ³ /hr |

ELECTRICAL DATA

| | |
|-----------------|-----------------------|
| Single phase AC | : 220V or 230V / 110V |
| Safety class | : IP 54 |
| Temp Range | : +2°C to 50°C |
| Input Voltage | : 10V eff |
| Output Voltage | : 100KV DC |
| Output Current | : 100 A |



Automatic Boron Nitride dry powder coating of aluminium billets without human intervention

FBE COATING SPRAY SYSTEM

SPECIALLY DESIGNED FOR PIPE AND RE-BAR COATING



With the increasing need to provide FBE coating of 500 to 1000 micron in a single layer coating method, pipe coaters now install High Flow Gun or combination of High Flow and Standard Flow Gun in their plant.

Mitsuba is the first company in the world to produce the integrated Gun with High Flow Capacity.



STANDARD FLOW Infiniti™ GUN
(U.S. Patent No. 5678770)
CAPACITY 0 - 30 Kg/hr.



High Flow GUN
CAPACITY 0 - 50 Kg/hr.



FBE COATING SPRAY SYSTEM

SPECIALLY DESIGNED FOR PIPE AND RE-BAR COATING

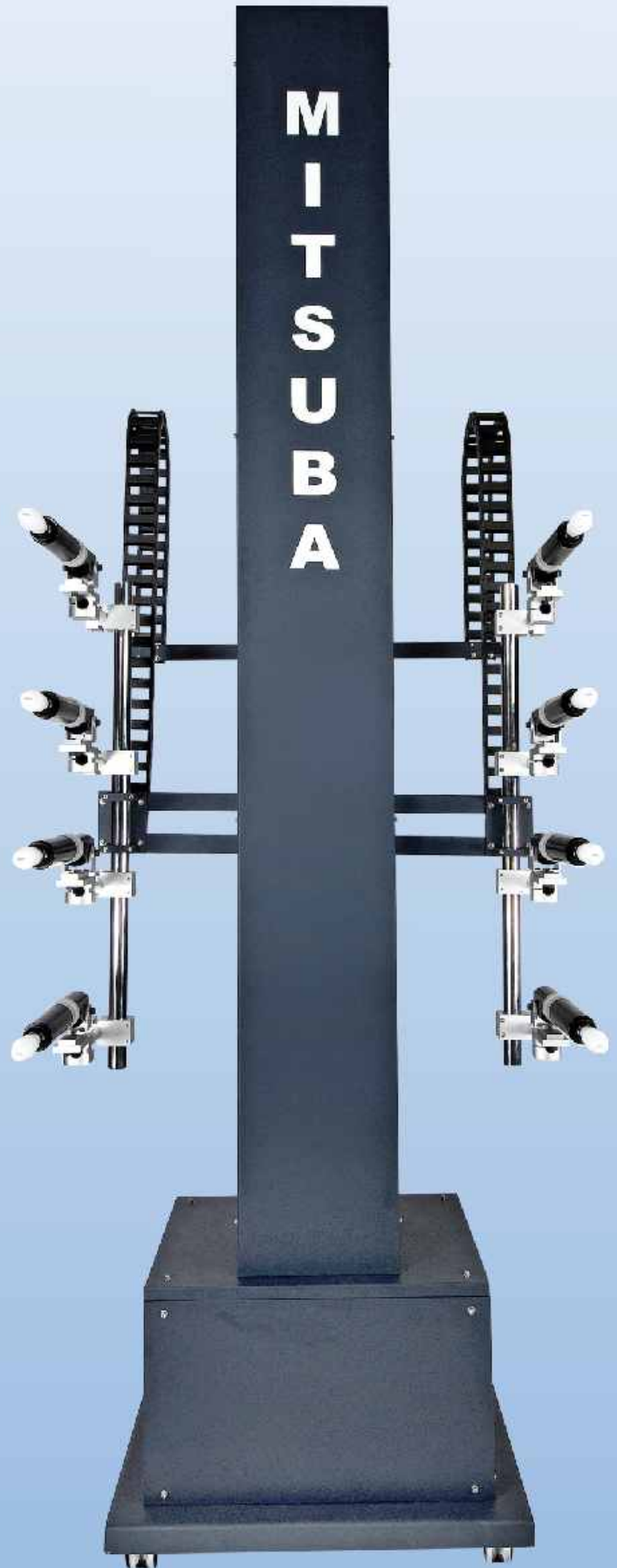


FEATURES

- ⦿ Specifically designed for uniform & rapid spray of FBE powder on preheated pipe sections.
- ⦿ **High Flow Gun** allows upto 50 kg/hr of FBE powder flow & thus suitable for new generation pipe coating requiring film thickness of 500 to 1000 microns. (Suitable for Dual FBE).
- ⦿ **Standard Flow Gun** allows powder flow upto 0 to 30 Kg/hr (Suitable for Re-bar and Conventional 3 layer pipe coating).
- ⦿ Integrated 100 KV - No HV Cable - Reduced Maintenance.
- ⦿ Control Panel with Performance Monitor.



AUTOMATIC POWDER COATING EQUIPMENT



AUTOMATIC POWDER COATING EQUIPMENT

SUMMARY OF BENEFITS:

- ⊙ Get a perfect finish with consistent uniform film thickness.
- ⊙ Most suitable for high speed conversed powder coating plant.
- ⊙ 100 KV gun with Patented Infiniti™ technology (US Patent No. 5678770) protects your gun against any failure. NO BREAKDOWN! NO EXPENSIVE REPAIRS!
- ⊙ Control panel with smart tracker, performance monitor, self diagnosing system gives complete control in your hands.
- ⊙ Centralized powder feed Hopper with Powder pumps.
- ⊙ Can integrate with Mitsuba Reciprocator, Spray police for highest efficiency.



ELECTRO MECHANICAL OSCILLATOR

FEATURES

Multiple guns are mounted on arms extending from the carriage, which are capable of performing same or various motions.

There is a facility to attach fixed guns which can be angled to access difficult coating areas.

The carriage is programmed to move the vertical mounting bar at variable stroke and speeds.

The carriage moves up and down through an AC geared motor and is supported by a very sturdy frame structure. The entire Oscillator is mounted on wheels to facilitate easy movement during colour change.



SPECIFICATIONS

STROKE SPEED: 0 - 28 Cycles / Minute
(infinitely Selectable)

STROKE: 100 mm min / 300 mm Max of
Vertical Bar

ANGLE OF SWING: Adjustable upto 90 deg.

MAX NO.OF GUNS: To Suit Application

CONTROL: Variable Frequency

DRIVE MOTOR: Geared ½ hp. Ac Motor

INPUT VOLTAGE: Single Phase 230 Vac
(Other Voltages on Request)

POWER: 0.37 KW (1/2 hp)

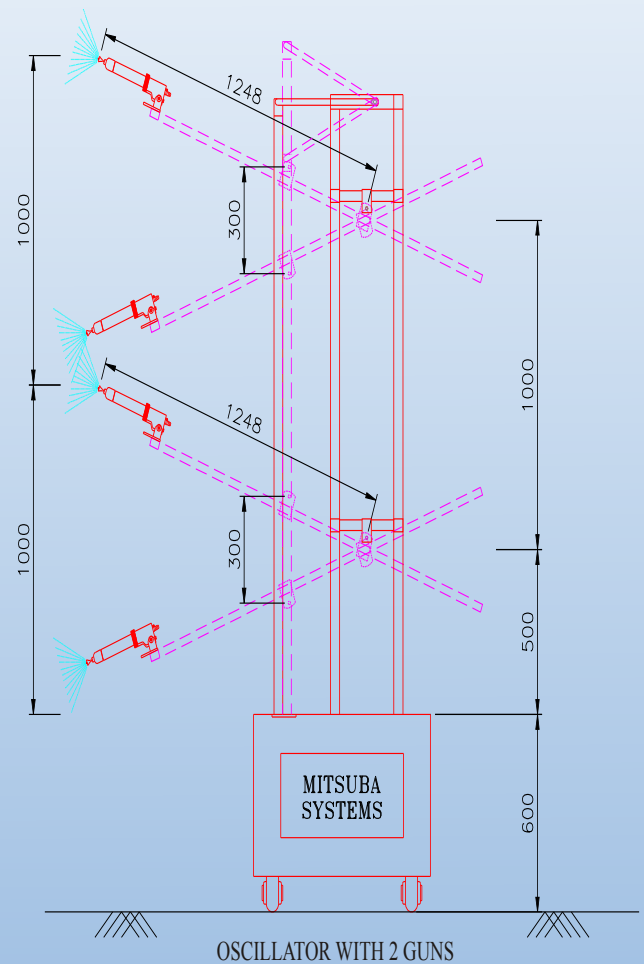


SPEED CONTROL

Speed of the moving guns can be varied between 0 to 28 cycles/min by turning the speed adjuster knob. This step in turn gives a signal to an advanced A.C. frequency drive to achieve the desired speed.

STROKE CONTROL

Stroke of each gun can be varied by changing the gun mounting rod distance from fulcrum. By increasing the distance of the gun from the fulcrum, the resultant arc (movement height) of each gun can be increased.



Fulcrum - 1250mm Individual Gun Stroke - 1000 mm
Total Stroke - 2000mm No. Of Guns - 2



This larger gun stroke coupled with lesser number of guns are an ideal combination for conveyor line speeds of about 0.6mtr/min to About 1.5 mtr/min.

This lesser gun stroke coupled with higher number of guns are an ideal combination for conveyor line speeds greater then 1.5mtr/min to about 3.0mtr/min.

EXAMPLE

Fulcrum to gun distance = 1250mm, Stroke = 1000mm.

Fulcrum to gun distance = 625mm, Stroke = 500mm.

Fulcrum to gun distance = 2500mm, Stroke = 2000mm.

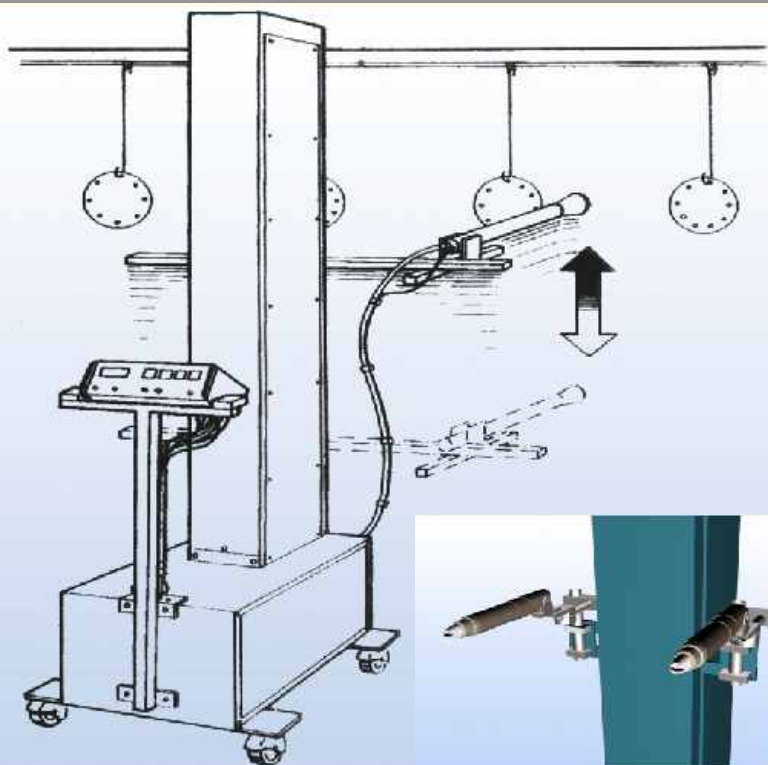
In brief, to increase stroke, increase fulcrum to gun distance & vice-versa. This is easily achieved by simply pulling the gun holding rod.

ELECTRO-MECHANICAL RECIPROCATOR XL-SERIES

Mitsuba Electro-Mechanical Reciprocator possesses the capability to vary the speed & stroke to suit your requirements. The control panel incorporates a user friendly touch screen for extreme simplicity of operations even by unskilled labour.

The Reciprocator is electrically driven via an AC geared motor, giving gentle and distinct motion thus ensuring the best possible coating result.

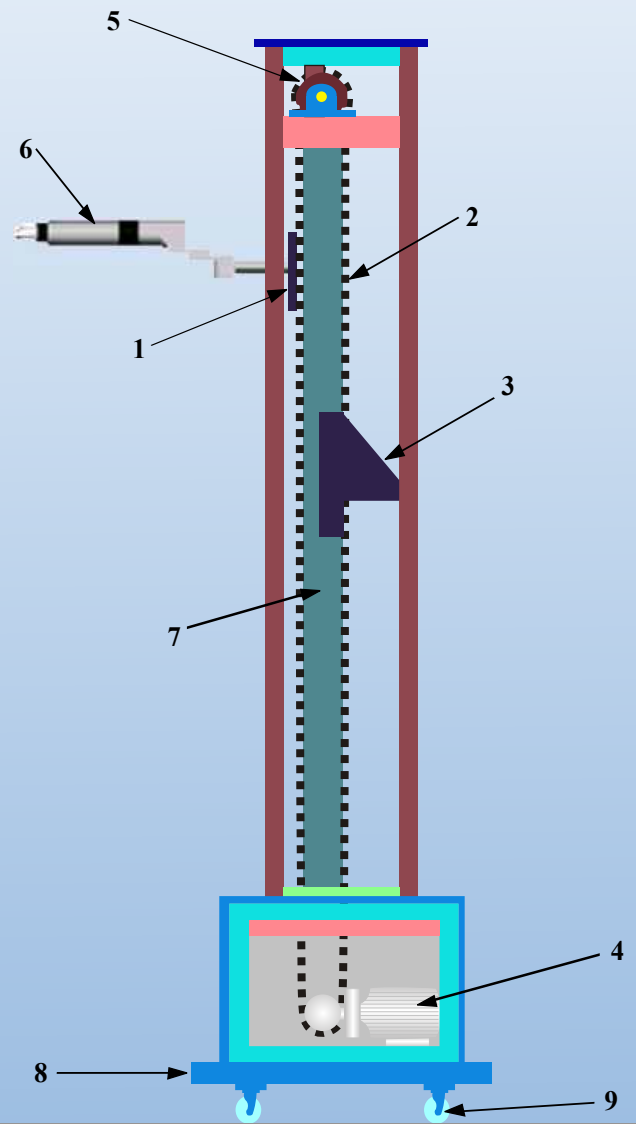
The movement of the carriage is controlled by a most up to date AC frequency drive and advanced digital controller to achieve the desired stroke and speed.



1. Increased Simplicity-
Advanced touch screen digital control.
2. Maximum reliability with ease-
& Simplicity of design. The screen itself guides
the user on what to touch so no formal
usage training is needed.
Improved finished –
3. Smooth Movement during traversing
and change of direction.
4. Quick Job Change –
Pre-programmable preset points for
automatic selection of stroke and
speed.

PART LIST

1. STROKE CARRIAGE
2. BELT
3. COUNTERBALANCE TROLLEY
4. GEAR MOTOR
5. SPROCKET
6. GUN
7. CARRIAGE GUIDE PILLAR
8. RECIPROCATOR BASE
9. CASTOR WHEELS



TOUCH SCREEN CONTROL



SPECIFICATIONS

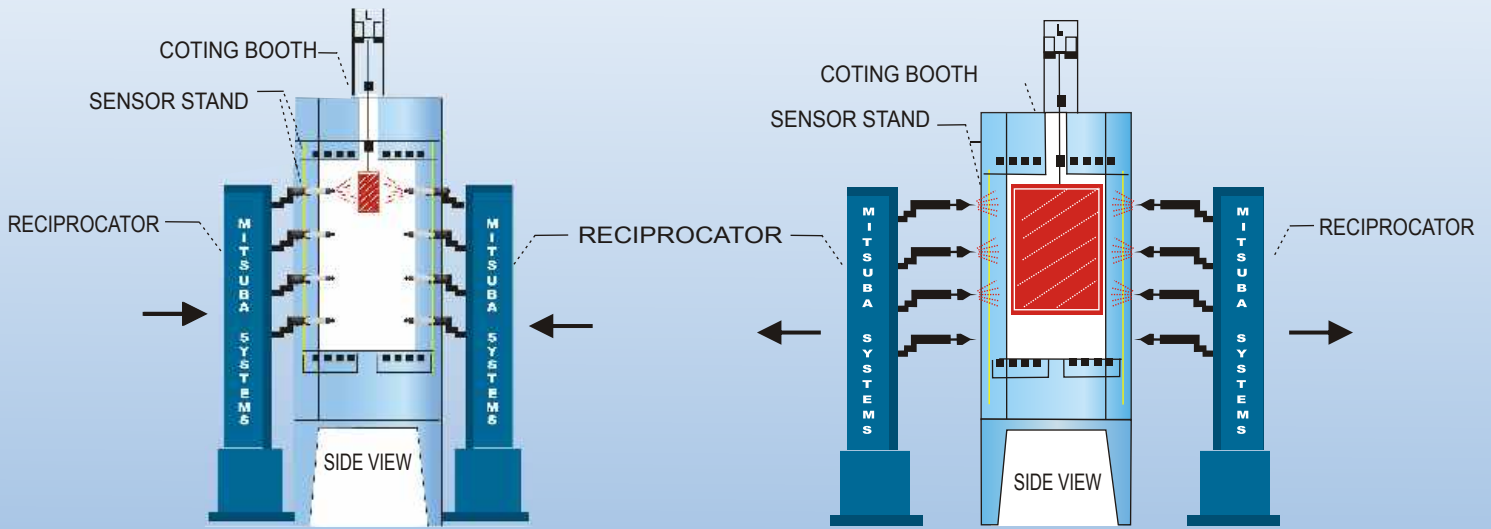
- ⊙ Speed : 0-30 Mt./Min (Infinitely Selectable)
- ⊙ Minimum Stroke : 100 mm
- ⊙ Standard Stroke Length : 1200 mm, 1500 mm, 1800 mm, 2000 mm, 2500 mm.

CONTROL

- ⊙ Analog : Operator sets both speed and stroke separately for each type of job.
- ⊙ Digital : New touch screen Graphic Display & control with (99) Pre-Set programmable points.
- ⊙ Multi Speed : Three multi speed settings selectable along the main stroke. Speed can be different in various lengths of the same stroke.
- ⊙ Can be integrated with "Spray Police" powder optimization, so gun spray is triggered only during presence of work piece.

SPRAY POLICE

BEHOLD THE POWER OF VISION

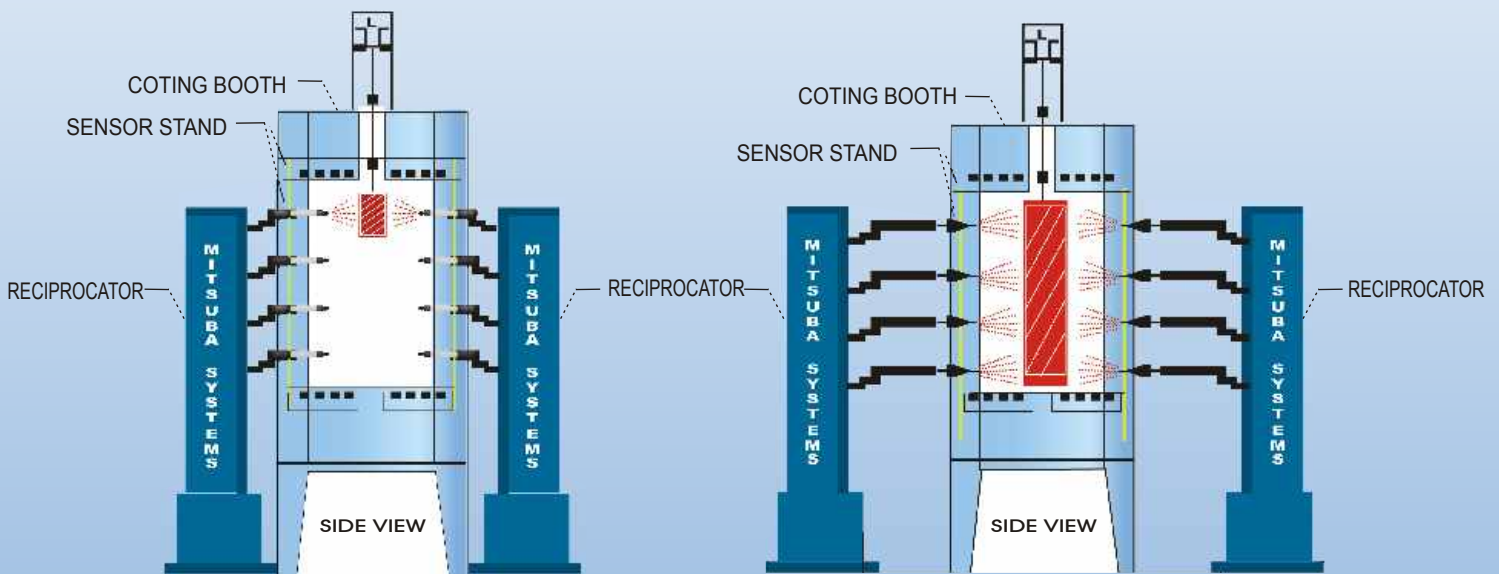


Guns move closer when narrow objects are coated

Guns move away when wider objects are coated

New generation gun triggering system.

- ⊙ Automatically maintains gun to part distance and turns off extra spray guns depending upon product shape and size.
- ⊙ Switches off powder from auto guns when there is no product in front of the guns.
- ⊙ Reduces powder wastage and increases profitability.
- ⊙ Easy touch screen controls.



Less guns trigger for smaller object

More guns trigger for larger object

CAT ROTARY CYCLONE SERIES

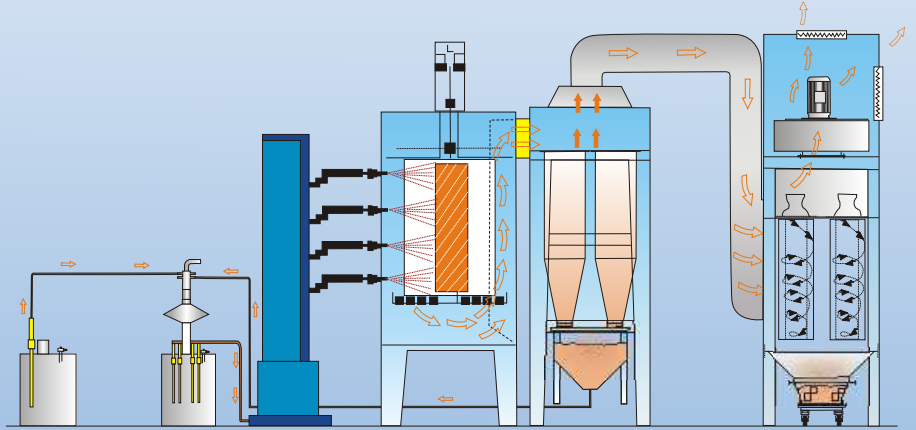
• 98% EFFICIENCY • COMPACT DESIGN • FAST COLOUR CHANGE



CAT ROTARY CYCLONE SERIES

• 98% EFFICIENCY • COMPACT DESIGN • FAST COLOUR CHANGE

New Rotary cyclone booths use rotary vanes in each cyclone thereby boosting centrifugal force & providing the extra spin essential for 98% recovery. Fast color change is achieved because rotary vanes completely eliminate duct work & provide a self cleaning property to the cyclones.



SUMMARY OF BENEFITS :

- ⦿ 98% collection efficiency.
- ⦿ Very compact size.
- ⦿ Fast colour change.
- ⦿ Ductless design.
- ⦿ Can be integrated with powder management system.



The axial entry cyclone with Rotary Vane technology makes this recovery unit most suitable for fast, multi colour powder coating.

UNI SINGLE CYCLONE SERIES

• STAINLESS-STEEL • 97% EFFICIENCY • SUPERFAST COLOR CHANGE

1, 2, 3 and you are ready for a new color



Unclamp and slide.



Air blow cleaning.



Slide, reclamp & ready to go....



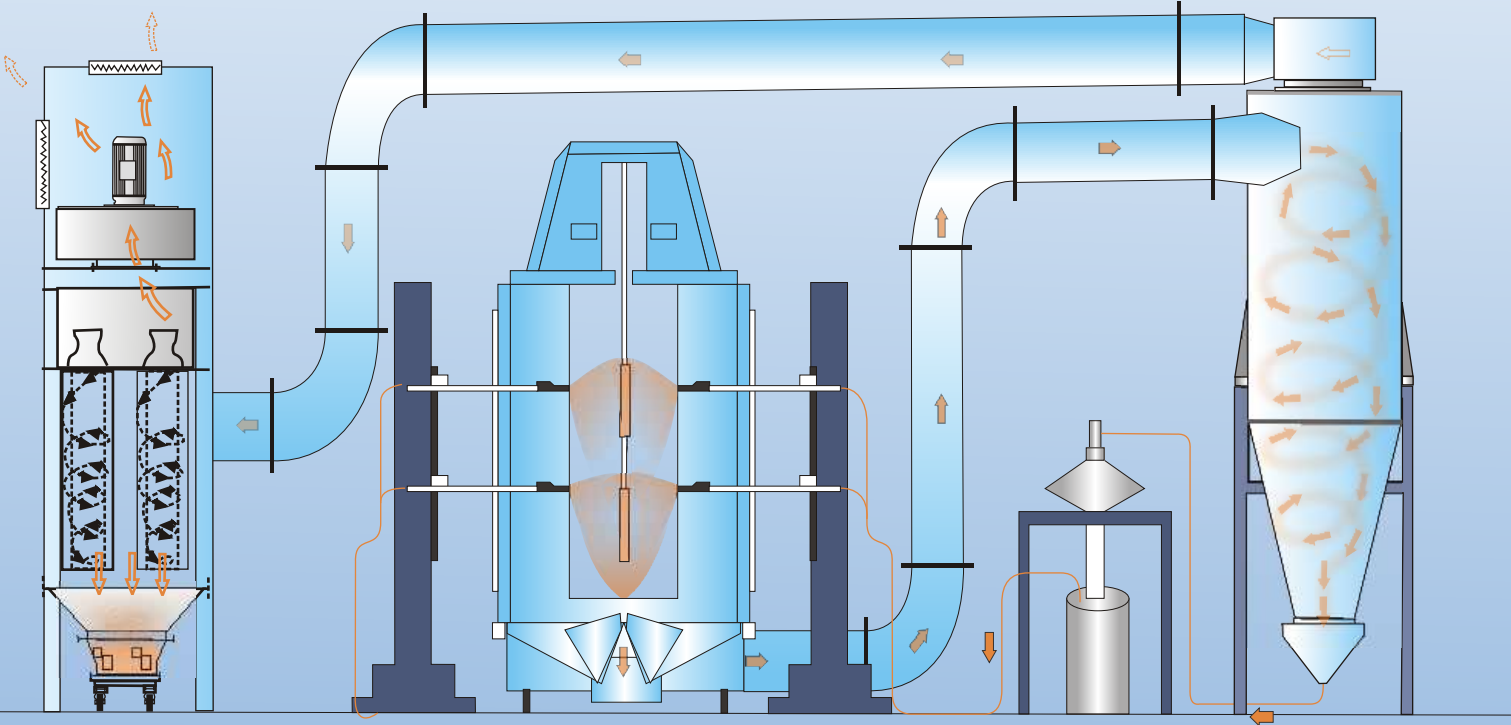
Uni cyclone Recovery is ideally suitable for big automatic plants where the quantity of powder to be sprayed and recovered is high.

SUMMARY OF BENEFITS :

- ⊙ Low Initial cost.
- ⊙ Fast colour change.
- ⊙ Modular construction makes shipping and installation easy.
- ⊙ Can be integrated with automatic powder management system for recycling of over spray.

UNI SINGLE CYCLONE SERIES

• STAINLESS-STEEL • 97% EFFICIENCY • SUPERFAST COLOR CHANGE

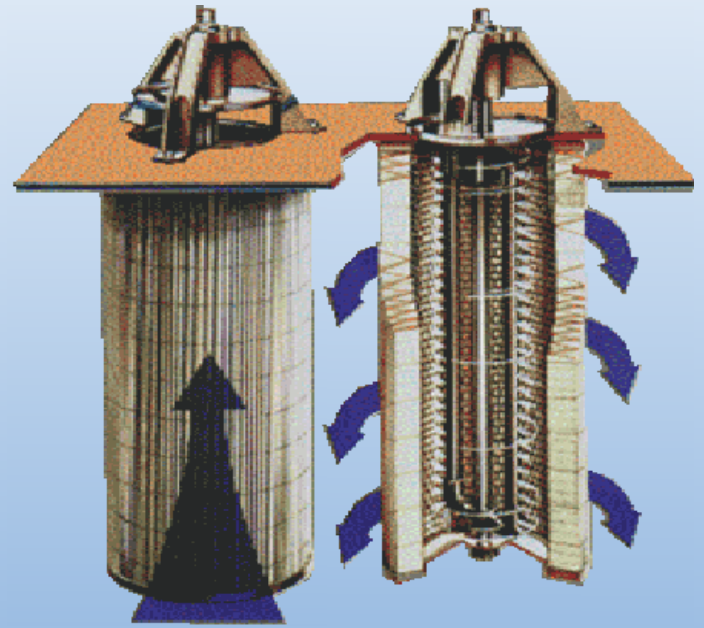


Suitable for big automatic plants where a large quantity of powder is to be sprayed & recovered, and where easy and fast colour change is required.

SUMMARY OF BENEFITS :

- ⊙ First of its kind - superfast color change.
- ⊙ Available in epoxy coated steel / Stainless Steel for “self - cleaning” property.
- ⊙ Can be unclamped from the center for fast, easy & efficient cleaning.
- ⊙ Substantially reduce Powder inventory in coating cycle, when integrated with automatic recycling.
- ⊙ After filter can be purchased as optional item.

Filter System For The 21st Century



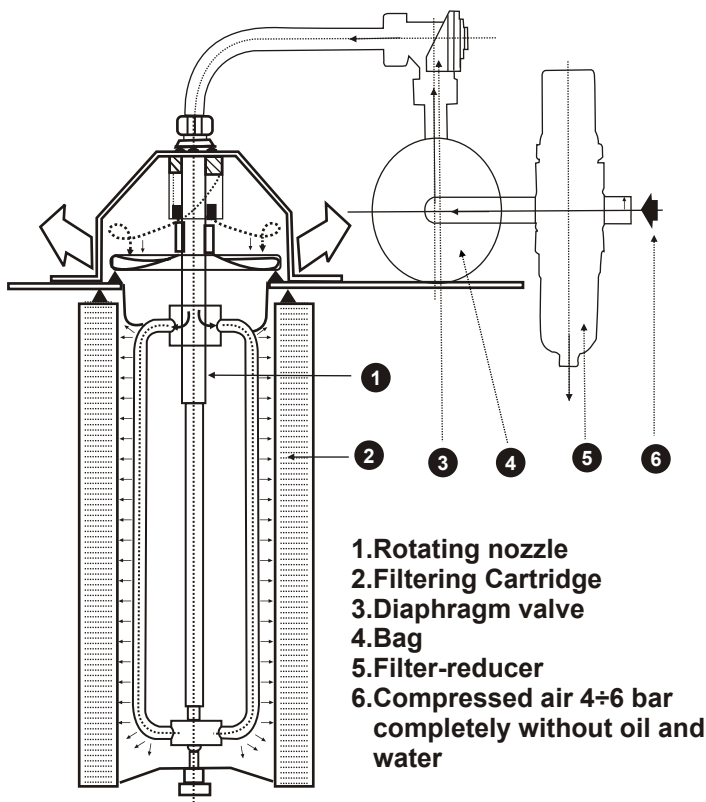
Filter Cartridges - made from melt blown micro fleece offer 99.999% powder recovery efficiencies. A special melt blown PP layer ensures extended service life, much reduced pressure loss and as a result outstanding economy.

Aluminium coated filter media or PTFE coated filter media are also available for critical operations.

ROTATING WING

A special rotating cleaning nozzle system shuts off suction through the filter during the cleaning cycle. Simultaneously compressed air comes out from the small holes along the vertical tube which starts rotating. Deep & thorough cleaning is ensured. Suction automatically commences at the end of cleaning operation.

The cleaning cycle in each filter lasts for a few seconds & is adjustable in the control panel of the equipment.



OXY FILTER CARTRIDGE SERIES

- 100% BOOTH RECOVERY • NO MORE ARGUMENTS

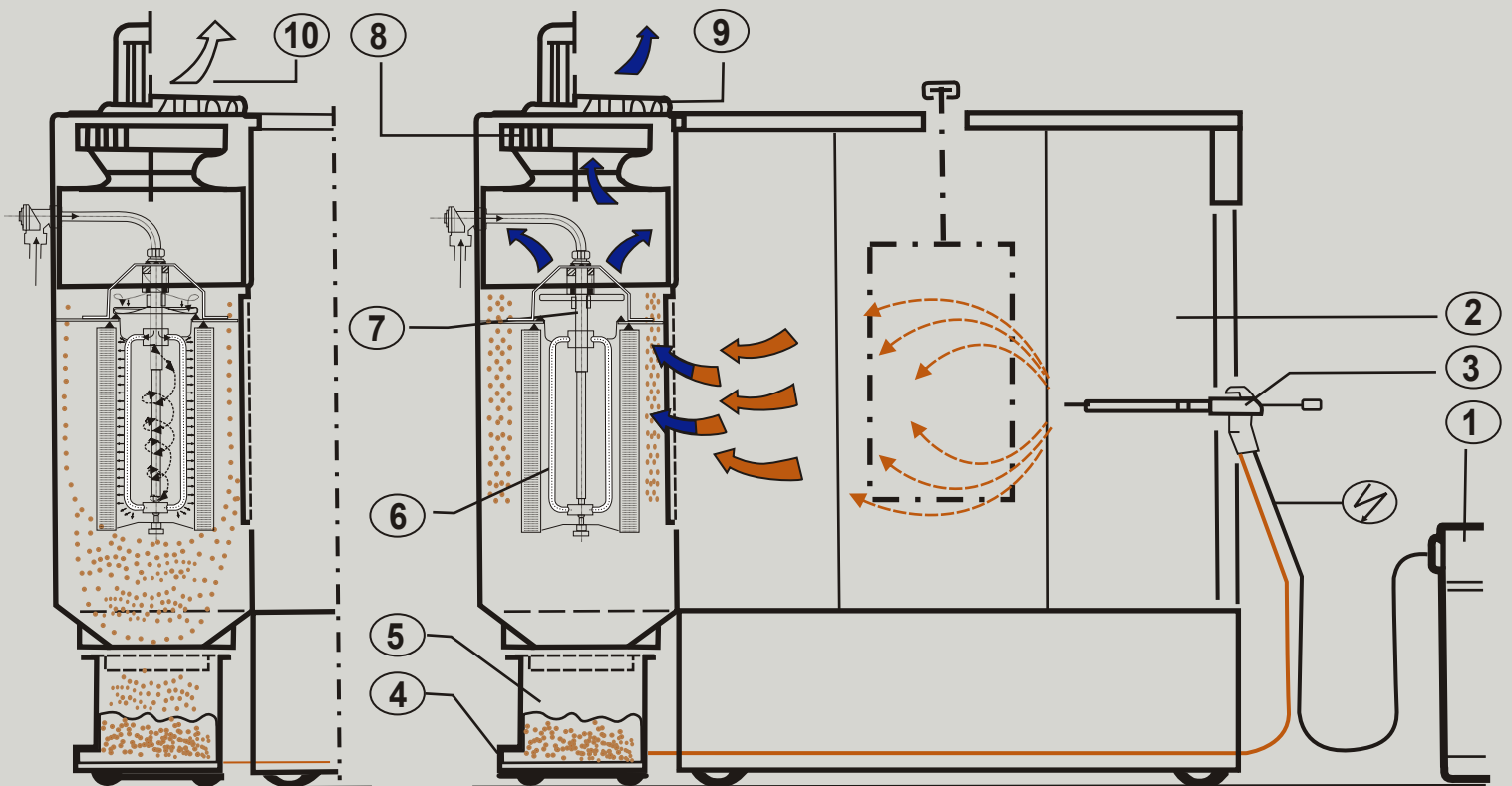
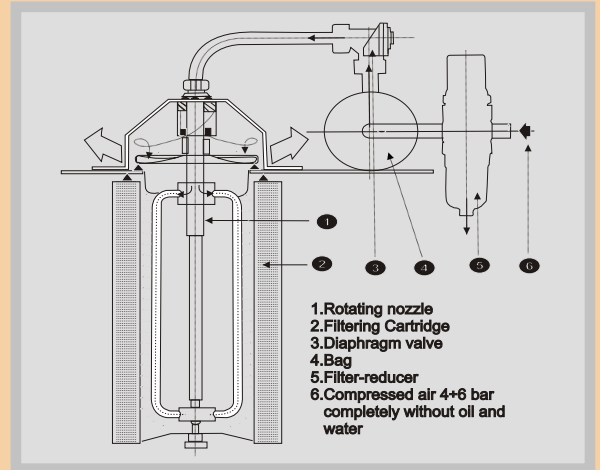
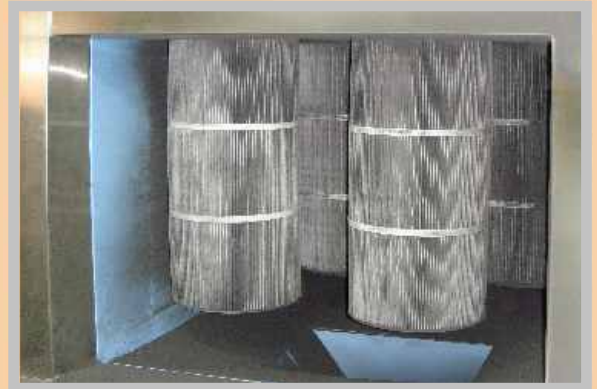


OXY FILTER CARTRIDGE SERIES

• 100% BOOTH RECOVERY • NO MORE ARGUMENTS

SUMMARY OF BENEFITS :

- ⊙ Fast colour change with extra colour modules.
- ⊙ Superior cleaning due to rotating wings - Higher cartridge life.
- ⊙ Electricity consumption reduced by 40% when compared to cyclone systems.
- ⊙ Horizontal flow assures uniform film thickness.

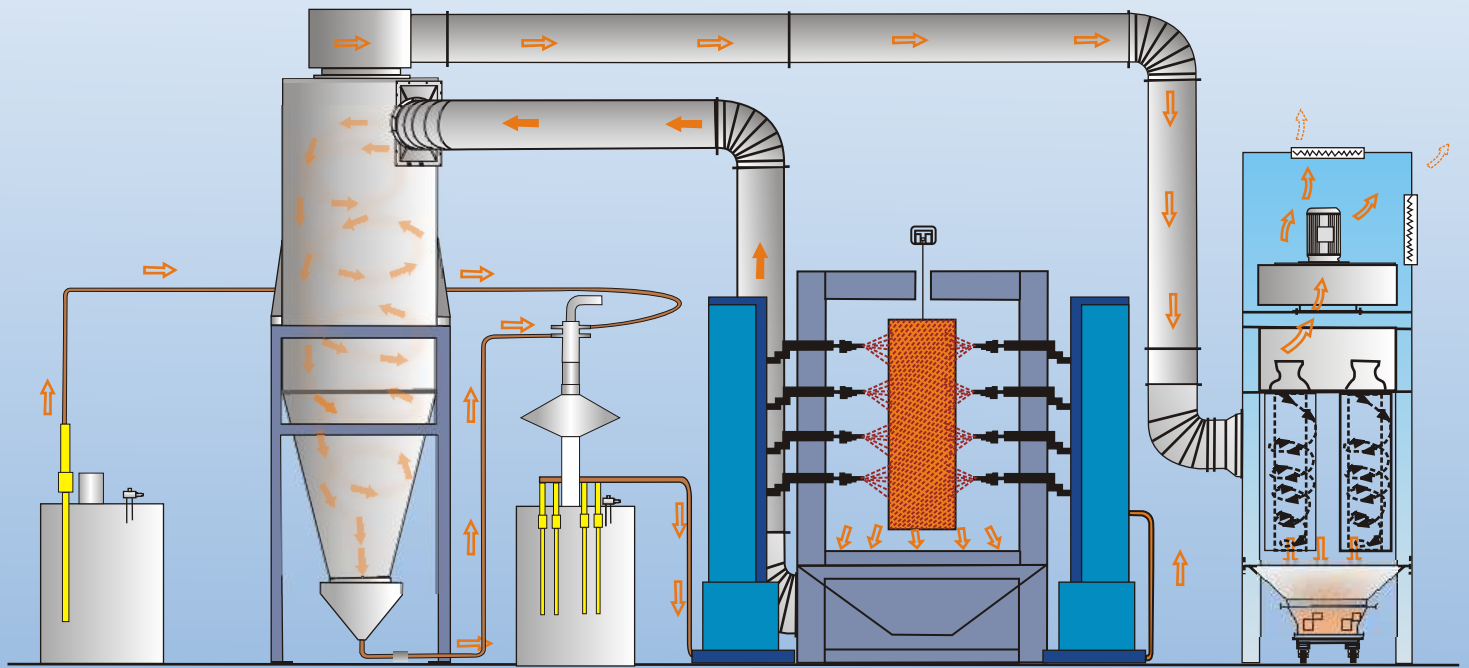


- | | | | | |
|-----------------|--------------------|------------------------|---------------------|----------------------|
| 1. CONTROL UNIT | 3. SPRAY GUN | 5. RECOLLECTION HOPPER | 7. ROTATING WING | 9. POLICE FILTER |
| 2. POWDER CABIN | 4. FLUIDIZING TILE | 6. FILTER CARTRIDGE | 8. EXTRACTOR-SYSTEM | 10. CLEAN AIR OUTLET |

POWDER MANAGEMENT SYSTEM

BOOST YOUR EFFICIENCY WITH AUTOMATIC RECYCLING OF OVERSPRAY

“ POWDER MANAGEMENT SYSTEM ” is used to automatically transport the recovered powder to the spray hopper via a sieve machine. Fresh powder can also be constantly added to the spray hopper in a desired ratio of recovered and fresh powder.

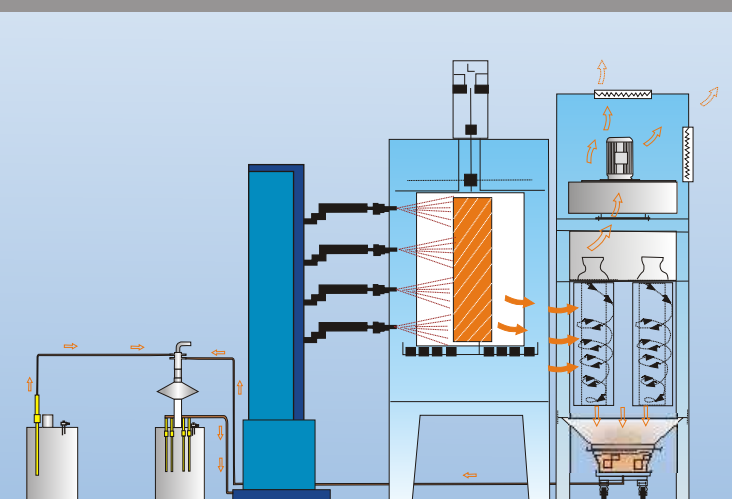
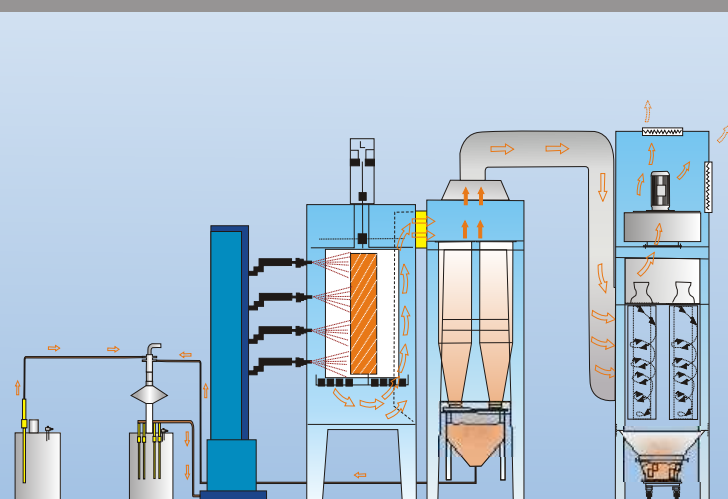


◎ Less powder wastage

◎ Lower production costs

◎ Less on-line inventory

◎ Less labor requirements



SIEVING MACHINE

Sieving separates dust from powder. Powder which could have compacted during recovery or transport is once again distributed into distinct fine particles.

ADVANTAGES

- ⦿ Substantially reduced labour cost, & elimination of wastage during manual spraying.
- ⦿ The end result is superior finish, higher deposition efficiency & lower coating cost.
- ⦿ Efficient lightweight stainless steel Siever.
- ⦿ Maintenance free pneumatic turbine vibrator for batch siever and high capacity electric vibrator for stand alone siever.
- ⦿ Easy screen changing.



Stand Alone Siever



Hopper Mounted Siever

OPERATION TECHNIQUE

The Stand Alone Siever is operated by a vibratory electric motor.

The Hopper mounted Sieve's operating range of 20 - 60 psi is controlled by an air regulator. The sieve's vibration intensity should be set according to volume of powder sifted, condition of powder and flow rate desired.

OPERATION PARAMETER

0 to 60 kg/hr - Batch Siever.

0 to 200 kg/hr - Stand Alone Siever.

Powder screen mesh - 60/80/100/120. (Standard supply - 60/80 mesh)

EFFICIENCY METER

Worldwide
New

**Instantly Measure
Quality of Gun as
well as Powder.**

- ⊙ Measure Corona tip voltage (0-100 KV DC) - check gun quality.
- ⊙ Measure level of charge in a powder cloud (0-100%) - compare powder quality.
- ⊙ Display +ve or -ve polarity.
- ⊙ Measure ground quality.
- ⊙ Use for all brands of both Manual & Auto Guns.



Measure charge
in Tribo Cloud



Measure charge
in Corona Cloud



MITSUBA
SYSTEMS (I) P. LTD.

34/H, Laxmi Ind. Estate, New Link Rd, Andheri (W),
Mumbai 400 053. INDIA.
Tel. : 91-22-2631 8633 /6692 4151/52/53. Fax: 91-22-66924154
Email: sales@powdergun.com
Website: <http://www.powdergun.com>