

# MOBILE LIGHTING SOLUTIONS



**Watch**  
Product Video



**Visit**  
Corporate Website



**Download**  
Product Brochure



**Watch**  
Corporate Video

# CONTENTS



**NIGHT SCAN® PUMP-UP LIGHT MAST** .....3



**NIGHT SCAN® SPOT** .....5



**NIGHT SCAN AIR**.....4



**PUSH UP POLES AND TRIPODS**..... 6-7



## NIGHT SCAN® PUMP UP LIGHT MAST

The Night Scan Pump Up Light Mast provides a fast and affordable way to illuminate your work area. The lightweight pneumatic mast elevates quickly to full height by means of a built-in hand pump. The powerful and efficient LED lights illuminate a wide area while being powered by the vehicle. The tower quickly mounts into an optional 2" hitch receiver, tripod and/or drive-on stand.

### ESSENTIAL FEATURES

- 40,000 lumens from two Night Scan X200 LED lights
- Available heights - 13 or 19 ft.
- 60 second extension time
- Mast transport bag included
- Powered from vehicle - 12 volts, 18.4 amps
- Total system weight - 80 pounds
- Tower system warranty - 2 years



### OPTIONAL MOUNTING HARDWARE



Tripod with Bubble Level



2" Hitch Mount



Drive-On Stand

### OPTIONAL ACCESSORIES



Cable Management

### QUICK CONNECT MAST



Quick Connect Mast Unlocked



Quick Connect Mast Locked

### SPECIFICATIONS

	5770801	5769501
Extended Height	13.1 ft. / 4 m	19.6 ft. / 6 m
Nested Height	4.2 ft. / 1.25 m	5.3 ft. / 1.60 m
Payload Capacity	55.1 lbs. / 25 kg	55.1 lbs. / 25 kg
Number of Sections	5	5
Tube Diameter	3.54 in. - 1.97 in. / 90 mm - 50 mm	3.54 in. - 1.97 in. / 90 mm - 50 mm
Collar Type	Friction Locking	Friction Locking
Finish	Black paint and Clear anodize	Black paint and Clear anodize

## NIGHT SCAN® AIR

### Portable 360° LED Scene Lighting

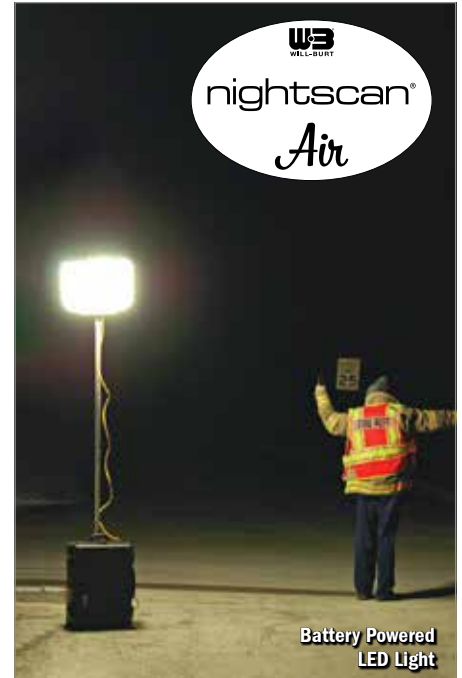
Brilliant LED scene lighting evenly distributed over the entire scene. Compact design, quick deployment and low power consumption makes Night Scan Air perfect for nearly any situation.

#### ESSENTIAL FEATURES

- Available with 24,000, 56,000, or 110,000 lumens
- 10 ft tripod included. Optional 14 ft tripod
- Full 360° illumination
- 110/220 VAC powered. Maximum 800 watts.
- Power from small generator or vehicle inverter



Cylinder LED Light



Battery Powered LED Light



110/220 VAC LED Light

Tie Down Straps

#### ACCESSORIES



Standard  
10' Aluminum Tripod



Optional  
13' Pyramid Base



Optional  
14' Crank Tripod



Available  
Light Trailer Conversion Kit  
4000 watt HID Balloon Light

#### SPECIFICATIONS

LED Light Type	Watts	Total Lumens	Maximum Lighted Area ft²	Power	Light Type	Tripod	Protective Case for LED
Cylinder Light	100	12,000	10,000	110/220VAC	LED	10' Telescoping Mast	Yes
Cylinder Light	200	24,000	14,000	110/220VAC	LED	10' Telescoping Mast	Yes
Luminescent Balloon + Fan	400	56,000	25,000	110/220VAC	LED	10' Telescoping Mast	Yes
Luminescent Balloon + Fan	800	110,000	45,000	110/220VAC	LED	10' Telescoping Mast	Yes
Luminescent Balloon + Fan	200	24,000	14,000	Battery Powered (Lead Acid) Recharge 110VAC	LED	9' Four Section Interlocking Mast	Yes - Entire System

## NIGHT SCAN® SPOT

The Night Scan Spot is a rotatable, remote-controlled LED light. The wireless remote allows the light to be remotely adjusted by the operator.

With a vertical tilt up of 70° and 45° tilt down and an infinite horizontal rotational range (clockwise and counterclockwise), The Night Scan Spot from Will-Burt allows for pan-tilt motion. Also equipped with a flashing alert feature, the remote-controlled LED light can be used to warn approaching motorists or pedestrians of potential hazards or help is needed. It can also be used with service vehicles to alert the on-coming vehicles there are people at work, and more.

### SPECIFICATIONS

Night Scan Spot	
Lumens	6,720
Operating Voltage	10 - 30VDC
Power Consumption	80W
Maximum Distance for Operating Remote Control	Up to 130 ft.
Weight	7 lbs. (3.2KG)
Remote Control Battery	(1) 23A battery
Available Colors	White / Black

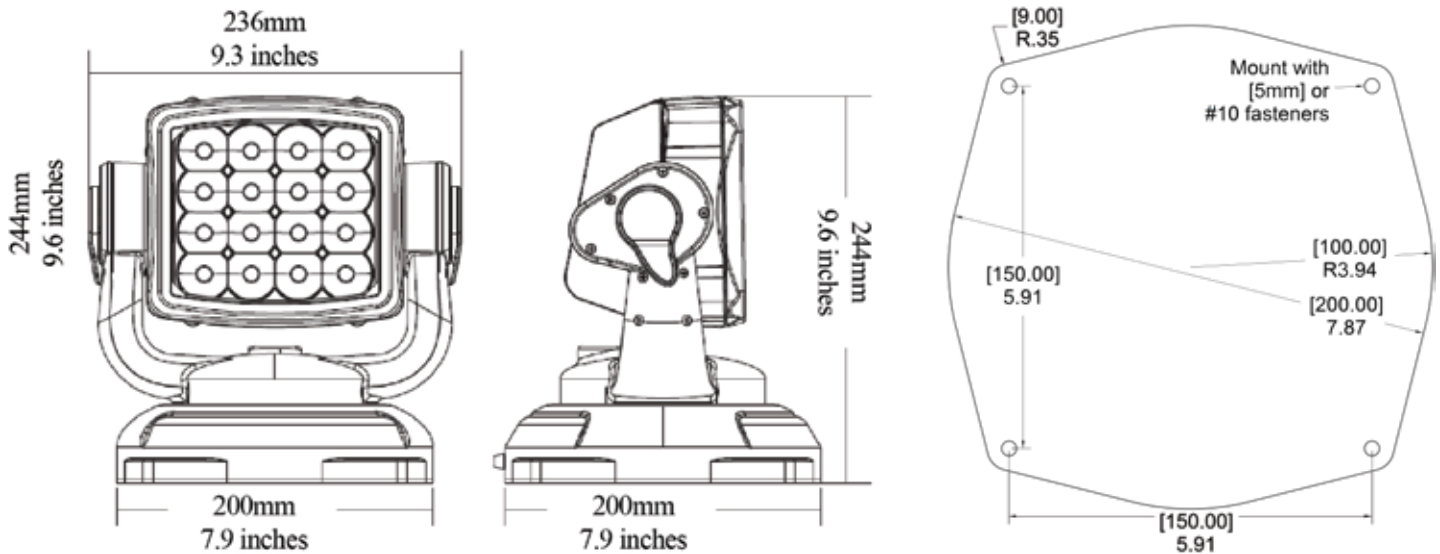


Available Colors  
White / Black

(2) Handheld Remote Controls Included

# nightscan spot®

### ENGINEERING SPECIFICATIONS



## **PUSH-UP POLES AND TRIPODS**

**The Will-Burt Company, the experts in lighting elevation for over 25 years, introduces a new range of light poles and portable tripods.**

Safe and reliable lighting is your number one priority during nighttime operations. Light poles and tripods by Will-Burt are designed to work when you need them. Constructed of corrosion resistant aluminum that is anodized, polished, and painted, they will safely elevate your lights for years.

All Will-Burt poles and tripods use heavy-duty UL approved 14 AWG cables for reliability and safety. Insulated and tough, these cables are resistant to cracking and UV damage.

Poles and Tripods built to Will-Burt's demanding standards to meet your demanding standards.

### **TRIPOD**

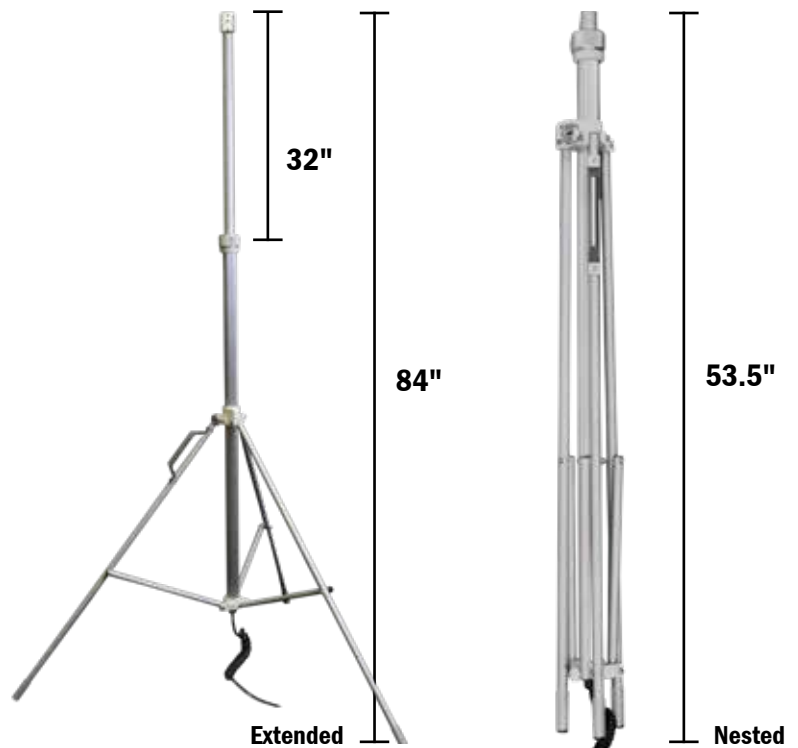
#### **ESSENTIAL FEATURES**

- Extends up to 84" (213cm) from a compact 53.5" (135cm)
- Integrated handle for easy transport
- Lock operates in either direction - easy for gloved hands.
- Rugged, anodized aluminum withstands harsh environments
- Rubber feet for better grip on slick surfaces
- Simple deployment
- Internal wire 14 AWG UL approved cable can carry both AC and DC current
- Universal 3/4" NPT adapter
- Optional truck mount kit allows the tripod to be stored on the side of the apparatus and can be used as a light pole.

Model: 5578801



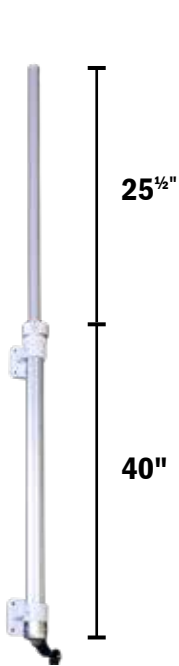
**Telescopic Tripod Mounting Bracket**



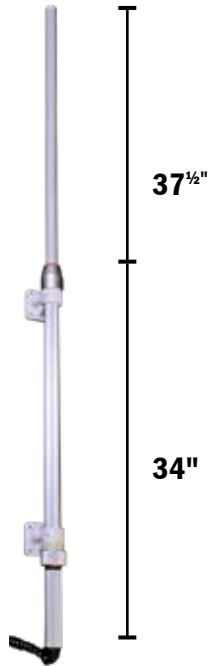
**Telescopic Tripod with Handle  
Model: 5578701**

**LIGHT POLE  
ESSENTIAL FEATURES**

- Lock operates in either direction – easy for gloved hands.
- Rugged, anodized aluminum withstands harsh environments
- Simple deployment
- Internal wire 14 AWG UL approved cable can carry both AC and DC current
- Universal 3/4" NPT adapter
- Includes 2" offset brackets



**Side Mount / Top Lock  
/ Telescopic Pole  
Model: 5579001**



**Side Mount / Bottom Lock  
/ Push Pole  
Model: 5578901**



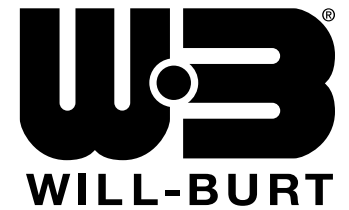
**PURCHASE OPTIONS**

Select a pole or tripod and add your own light designed for an internal cable.

Combine a pole or tripod with a Firetech pole-mount light and we will assemble it for you.

Model	Guardian	Guardian Elite	FT-SL-15 / FT-SL-X-15	Patriot
Product Photo				
Lumens	10,000	20,500	20,000 / 'X' 28,000	DC 28,000 / AC 31,300
Voltage	DC or AC	DC or AC	DC or AC	DC or AC
Switch Option	Yes	Yes	Yes	Yes

# CONTACT YOUR SALES REPRESENTATIVE TODAY



---

#### **WILL-BURT NORTH AMERICA WORLD HEADQUARTERS**

401 Collins Boulevard, Orrville, OH USA 44667  
Telephone: +1 330 682 7015  
Mast Customer Service: +1 330 684 4000  
Fax: +1 330 684 1190  
Email: [info@willburt.com](mailto:info@willburt.com)

#### **INTEGRATED TOWER SYSTEMS A WILL-BURT COMPANY**

2703 Dawson Road, Tulsa, OK 74110  
Telephone: +1 800 850 8535  
Fax: +1 918 749 8537  
Email: [programs@itstowers.com](mailto:programs@itstowers.com)

#### **WILL-BURT GERMANY**

Fischergasse 25  
D-91344 Waischenfeld  
Germany  
Telephone: +49 9202 180  
Fax: +49 9202 1811 / Email: [info@willburt.com](mailto:info@willburt.com)

#### **WILL-BURT ASIA SINGAPORE SALES OFFICE**

1 Fullerton Road, #02-01 One Fullerton,  
Singapore 049213  
Telephone: +65 6832 5689  
Fax: +65 6722 0664 / Email: [info@willburt.com](mailto:info@willburt.com)

#### **WILL-BURT UNITED KINGDOM**

Unit 5b, Station Approach  
Four Marks, Alton Hampshire,  
GU34 5HN, United Kingdom  
Telephone: +44 (0) 1403 265532  
Fax: +44 (0) 1403 259072 / Email: [info@willburt.com](mailto:info@willburt.com)

#### **WILL-BURT TURKEY**

Ahi Evran OSB Mahallesi,  
Nahcivan Caddesi, No: 8/2,  
Sincan, Ankara 06935  
Email: [info@willburt.com](mailto:info@willburt.com)

The Will-Burt Company, headquartered in Orrville, Ohio, USA, is the world's premier manufacturer of mobile telescoping masts, towers and pan and tilt positioners. We offer virtually every mobile payload elevation and integration solution for defense, government, first responders, cellular and mobile, broadcast, energy production and other markets. Will-Burt also offers contract manufacturing, metal fabrication, powder-coating, and rapid prototyping services. Will-Burt is an international company with offices and manufacturing in the USA, England, and Germany along with offices in Singapore and a joint venture in Turkey. All Will-Burt Company manufacturing locations are backed by a certified ISO 9001:2015 Quality Management System. Incorporated in 1918, Will-Burt is 100% employee-owned and is classified as a small business.