

Mobile or movable jacks and associated lifting equipment

ICS 53.020.99

National foreword

This British Standard is the UK implementation of EN 1494:2000+A1:2008. It supersedes BS EN 1494:2000 which is withdrawn.

The start and finish of text introduced or altered by amendment is indicated in the text by tags. Tags indicating changes to CEN text carry the number of the CEN amendment. For example, text altered by CEN amendment A1 is indicated by A1 A1.

The UK participation in its preparation was entrusted to Technical Committee MHE/12, Lifting platforms.

A list of organizations represented on this committee can be obtained on request to its secretary.

This publication does not purport to include all the necessary provisions of a contract. Users are responsible for its correct application.

Compliance with a British Standard cannot confer immunity from legal obligations.

Amendments/corrigenda issued since publication

Amd. No.	Date	Comments
13250 Corrigendum No. 1	17 September 2001	Incorporating CEN correction notice 25 April 2001. Correction to Annex ZA
	30 April 2009	Implementation of CEN amendment A1:2008, and alignment of BSI and CEN publication dates

This British Standard was published under the authority of the Standards Committee and comes into effect on 15 February 2001

© BSI 2009

ISBN 978 0 580 61614 3

English Version

Mobile or movable jacks and associated lifting equipment

Crics mobiles ou déplaçables et équipements de levage
associés

Fahrbare oder ortsveränderliche Hubgeräte und verwandte
Einrichtungen

This European Standard was approved by CEN on 18 October 2000 and includes Amendment 1 approved by CEN on 9 November 2008.

CEN members are bound to comply with the CEN/CENELEC Internal Regulations which stipulate the conditions for giving this European Standard the status of a national standard without any alteration. Up-to-date lists and bibliographical references concerning such national standards may be obtained on application to the CEN Management Centre or to any CEN member.

This European Standard exists in three official versions (English, French, German). A version in any other language made by translation under the responsibility of a CEN member into its own language and notified to the CEN Management Centre has the same status as the official versions.

CEN members are the national standards bodies of Austria, Belgium, Bulgaria, Cyprus, Czech Republic, Denmark, Estonia, Finland, France, Germany, Greece, Hungary, Iceland, Ireland, Italy, Latvia, Lithuania, Luxembourg, Malta, Netherlands, Norway, Poland, Portugal, Romania, Slovakia, Slovenia, Spain, Sweden, Switzerland and United Kingdom.







EUROPEAN COMMITTEE FOR STANDARDIZATION
COMITÉ EUROPÉEN DE NORMALISATION
EUROPÄISCHES KOMITEE FÜR NORMUNG

Management Centre: rue de Stassart, 36 B-1050 Brussels

Contents

Page

Foreword.....	4
Introduction	5
1 Scope	5
2 Normative references	7
3 Terms and definitions	7
4 List of hazards.....	12
5 Safety requirements	17
5.1 Braking device	17
5.1.1 General.....	17
5.1.2 Dimensioning	17
5.1.3 Interruption of the power flow	17
5.1.4 Automatic operation.....	17
5.1.5 Alterations	17
5.2 Security against dropping	17
5.3 Speeds	17
5.4 Security against overloading.....	18
5.5 Transmission systems	18
5.5.1 Security of guides	18
5.5.2 End stops.....	18
5.5.3 Additional requirements for hydraulic jacks	19
5.5.4 Additional requirements for pneumatic jacks	19
5.6 Control devices	20
5.6.1 Hold to run control.....	20
5.6.2 Unintentional operation	20
5.6.3 Identification.....	20
5.6.4 Obviousness	20
5.6.5 Visibility	23
5.6.6 Control devices of manually operated jacks	23
5.6.7 External power supply	24
5.7 Combined manual and power-operated jacks	24
5.8 Requirements for safety mechanisms.....	24
5.8.1 Adjustments	24
5.8.2 Materials	24
5.8.3 Effects of weather and dirt.....	25
5.8.4 Breakage of springs	25
5.9 Lift pad	25
5.10 Structural design	25
5.11 Climatic conditions.....	25
5.12 Hot surfaces	25
5.13 Forces	26
5.14 Protection against pinching and shearing.....	26
5.15 Electricity.....	26
5.16 Transport and installation equipment	26
5.17 Provisions for maintenance.....	26
5.17.1 Accessibility.....	26
5.17.2 Adjustment	26
5.18 Special requirements for hydraulic transmission jacks.....	26
5.18.1 Holding device	26
5.18.2 Lowering speed.....	27

5.19	Special requirements for trolley jacks	27
5.19.1	Guidance of the lift pad.....	27
5.19.2	Lowering of the load	27
5.20	Special requirements for pit jacks	27
5.20.1	Overturning protection	27
5.20.2	Lowering speed	27
5.20.3	Adjustments	27
5.20.4	Hold to run control	27
5.20.5	Unintentional operation	27
5.20.6	Crash protection	27
5.21	Special requirements for jacks without integrated pump	27
6	Verification	28
6.1	General	28
6.1.1	Tests	28
6.1.2	Design check	28
6.1.3	Manufacturing check.....	28
6.1.4	Visual verification.....	29
6.1.5	Practical tests	29
6.1.6	Electrical tests	29
6.2	Individual final verification before despatch	29
7	Information for use	29
7.1	Instruction for use and instruction handbook.....	29
7.1.1	General	30
7.1.2	Rules for operating.....	30
7.1.3	Maintenance and repair	31
7.2	Minimum marking.....	31
Annex A	(normative) Noise	32
Annex B	(normative) Test procedures.....	33
Annex C	(normative) Manual forces and manual force measurement methods.....	41
Annex ZA	(informative)  Relationship between this European Standard and the Essential Requirements of EU Directive 98/37/EC 	43
Annex ZB	(informative)  Relationship between this European Standard and the Essential Requirements of EU Directive 2006/42/EC 	44

Foreword

This (EN 1494:2000+A1:2008) has been prepared by Technical Committee CEN/TC 98 "Lifting platforms", the secretariat of which is held by DIN.

This European Standard shall be given the status of a national standard, either by publication of an identical text or by endorsement, at the latest by June 2009, and conflicting national standards shall be withdrawn at the latest by December 2009.

This document includes Amendment 1, approved by CEN on 2008-11-09.

This document supersedes EN 1494:2000.

The start and finish of text introduced or altered by amendment is indicated in the text by tags **A1** **A1**.

This European Standard has been prepared under a mandate given to CEN by the European Commission and the European Free Trade Association, and supports essential requirements of EU Directive(s).

A1 For relationship with EU Directive(s), see informative Annexes ZA and ZB, which are integral parts of this standard. **A1**

A1 *deleted text* **A1**

According to the CEN/CENELEC Internal Regulations, the national standards organizations of the following countries are bound to implement this European Standard: Austria, Belgium, Bulgaria, Cyprus, Czech Republic, Denmark, Estonia, Finland, France, Germany, Greece, Hungary, Iceland, Ireland, Italy, Latvia, Lithuania, Luxembourg, Malta, Netherlands, Norway, Poland, Portugal, Romania, Slovakia, Slovenia, Spain, Sweden, Switzerland and United Kingdom.

Introduction

A1 This European Standard is a type C standard as stated in EN ISO 12100-1:2003. **A1**

This standard has been prepared to be a harmonised standard to provide one means of conforming with the essential Safety Requirements of the Machinery Directive and associated EFTA Regulations.

The object of this European Standard is to define rules for safeguarding persons against the risk of accidents associated with the operation of mobile or movable jacks.

The extent to which hazards are covered is indicated in the scope of this standard. In addition, machinery should comply as appropriate with **A1** EN ISO 12100 **A1** for hazards which are not covered by this standard.

While producing this standard it was assumed that

- only trained persons operate the lifting equipment;
- the working area is adequately light;
- harmful materials such as asbestos are not used;
- components are kept in good repair and working order;
- by design of the load bearing elements a safe operation of the machine is assured for loads up to 100 % of the rated load and during the tests under the conditions given by the manufacturer;
- a negotiation for special uses took place between the user and the manufacturer;
- components without specific requirements are
 - a) designed in accordance with the usual engineering practice and calculation methods, including all failure modes;
 - b) of sound mechanical and electrical construction;
 - c) made of materials with adequate strength and of suitable quality.

1 Scope

This European Standard specifies technical safety requirements and measures for mobile or movable jacks (see 3.6) and associated lifting equipment.

This European Standard deals with all significant hazards pertinent to mobile or movable jacks and associated lifting equipment when they are used as intended and under the conditions foreseen by the manufacturer. This European Standard specifies the appropriate technical measures to eliminate or reduce risks arising from the significant hazards.

This standard applies to lifting equipment (see 3.1) which are mobile or movable and designed to operate under the load, whether operated singularly or in multiples to partially or totally raise and lower loads or vehicles at one or more lifting points (excluding the lifting of persons) where working under the raised load is not permitted unless additional means of securing the load in position are in place.

NOTE Associated lifting equipment means lifting equipment which is similar to those defined in 3.1, but which does not fully comply with these definitions.

This standard does not establish additional requirements for

- power drive by an internal combustion machine;
- stability of the mobile or movable jacks and associated lifting equipment;
- operation in severe conditions (e.g. extreme climates, freezer application, strong magnetic fields);
- operation subject to special rules (e.g. potentially explosive atmospheres, mines);
- supply by electrical networks where the tolerances in voltage, frequency etc. differ from those in the public supplies;
- static electric problems;
- handling of loads, the nature of which could lead to dangerous situations (e.g. molten metal, acids, radiating materials, especially brittle loads);
- hazards occurring during producing and decommissioning;
- hazards occurring when using the lifting equipment on public roads;
- wind pressure in and out of use;
- direct contact with foodstuffs;
- operation on sea ships.

This standard applies e.g. to the following lifting equipment

- mechanical jacks with or without claw;
- hydraulic jacks with or without claw and with or without integrated pump, e. g. hydraulic trolley jacks, hydraulic transmission jacks, hydraulic pit jacks;
- pneumatic jacks.

This standard does not apply to

- a) jacks or stabilizers which are permanently fixed to a trailer or a container to support a trailer or container without the tractor-unit;
- b) hydraulic cylinders which are permanently fixed to the vehicle for tipping and/or tilting parts of it;
- c) support stands with the possibility for changing the lift height only without the load;
- d) hydraulic lifting equipment working with a maximum pressure exceeding 500 bar and where pump and cylinder are not integrated parts of the same equipment;
- e) jacks that are delivered with road vehicles for helping when a break-down occurs (including delivery of original spare parts).

2 Normative references

This European Standard incorporates, by dated or undated reference, provisions from other publications. These normative references are cited at the appropriate places in the text and the publications are listed hereafter. For dated references, subsequent amendments to or revisions of any of these publications apply to this European Standard only when incorporated in it by amendment or revision. For undated references the latest edition of the publication applies (including amendments).

A1 deleted text **A1**

EN 349, *Safety of machinery — Minimum gaps to avoid crushing of parts of the human body*

EN 811, *Safety of machinery — Safety distances to prevent danger zones being reached by the lower limbs*

EN 954-1:1996, *Safety of machinery — Safety-related parts of control systems — Part 1: General principles for design*

A1 deleted text **A1**

EN 60204-32, *Safety of machinery — Electrical equipment of machines — Part 32: Requirements for hoisting machines (IEC 60204-32:1998)*

EN 60947-5-1:1997, *Low-voltage switchgear and controlgear — Part 5-1: Control circuit devices and switching elements — Electromechanical control circuit devices (IEC 60947-5-1:1997)*

EN 61496-1:1997, *Safety of machinery — Electro-sensitive protective devices — Part 1: General requirements and tests (IEC 61496-1:1997)*

EN ISO 4871, *Acoustics— Declaration and verification of noise emission values of machinery and equipment (ISO 4871:1996)*

EN ISO 11201:1995, *Acoustics— Noise emitted by machinery and equipment — Measurement of emission sound pressure levels at a work station and at other specified positions — Engineering method in an essentially free field over a reflecting plane (ISO 11201:1995)*

A1 EN ISO 12100-1:2003, *Safety of machinery — Basic concepts, general principles for design — Part 1: Basic terminology, methodology (ISO 12100-1:2003)*

EN ISO 12100-2:2003, *Safety of machinery — Basic concepts, general principles for design — Part 2: Technical principles (ISO 12100-2:2003)* **A1**

3 Terms and definitions

For the purposes of this standard, the following terms and definitions apply:

3.1

lifting equipment

device which permits a load to be raised, lowered or moved.

Lifting equipments within the meaning of this standard are:

3.1.1

mechanical jack

Jack in which the load is moved by means of mechanical devices, e. g. rack and pinion jack, screw type bottle jack or mechanical elevator such as a mechanical transmission jack. The jack can also be equipped with claws.

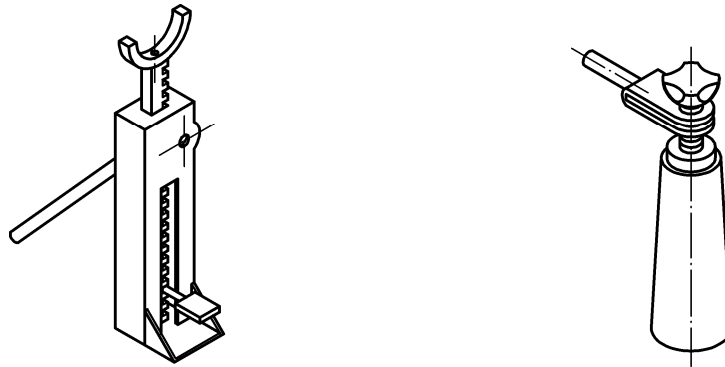


Figure 1 — Examples of mechanical jacks

3.1.2

hydraulic jack

jack in which the load is moved by means of hydraulic

NOTE All types of hydraulic jacks can exist in principle also as pneumatic jack.

3.1.2.1

hydraulic jack with integrated pump

hydraulic jack where the pump is integrated in the jack

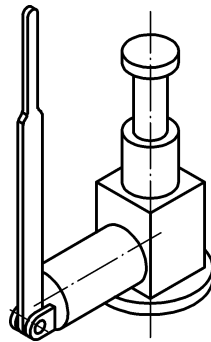


Figure 2 — Example of hydraulic jack with integrated pump

3.1.2.2

hydraulic jack without integrated pump

hydraulic jack where the pump is not integrated in the jack

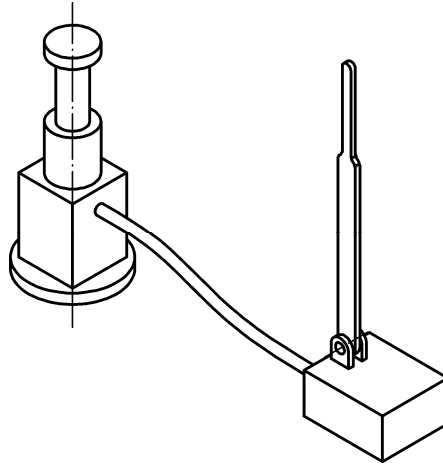


Figure 3 — Example of hydraulic jack without integrated pump

3.1.2.3

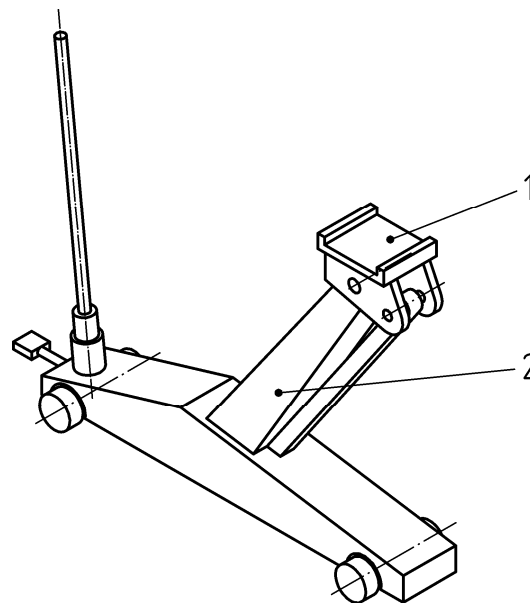
hydraulic claw jack

Hydraulic jack equipped with a claw. This does not exclude an additional lift pad.

3.1.2.4

hydraulic trolley jack

manually movable trolley device of which the carried load is set in vertical movement by a hydraulic system



Key

1 lift pad

2 lifting beam

Figure 4 — Example of hydraulic trolley jack

3.1.2.5

hydraulic transmission jack

hydraulic jack mobile freely on the ground, designed to lift loads or to partially lift vehicles

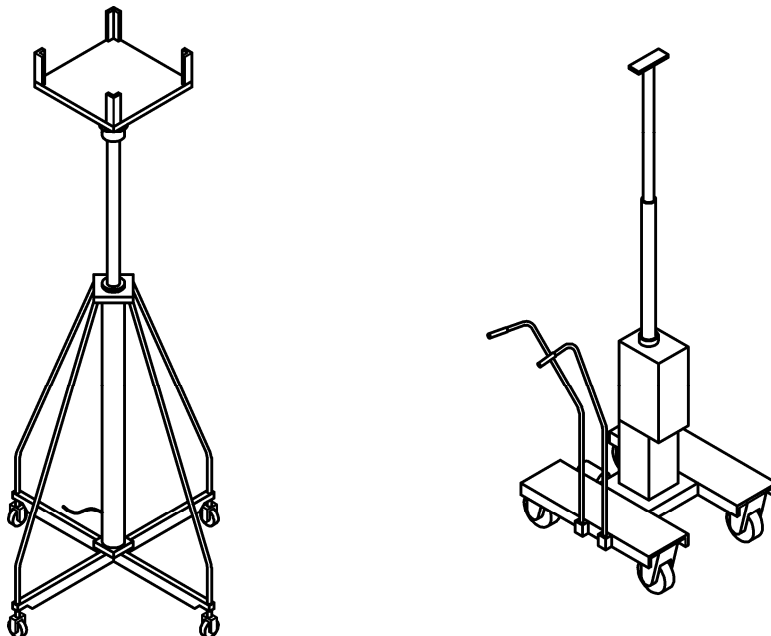


Figure 5 — Examples of hydraulic transmission jacks

3.1.2.6

hydraulic pit jack

rail guided hydraulic jack on cradle designed to lift loads or to partially lift vehicles

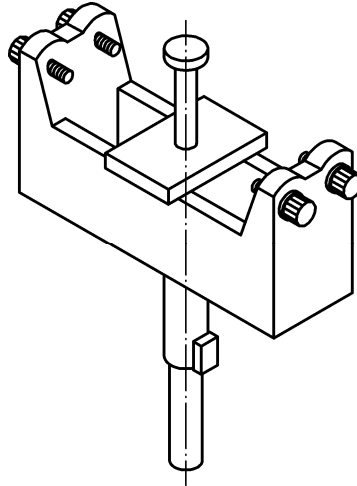


Figure 6 — Example of hydraulic pit jack

3.1.3

pneumatic jack

jack of which the carried load is set in vertical movement by a pneumatic system (see note in 3.1.2)

3.2 Power sources for lifting equipment

3.2.1

manual

the drive results on muscular force

3.2.2

pneumatic

the drive results on gaseous substances under pressure

3.2.3

hydraulic

the drive results on hydraulic fluid under pressure

3.2.4

electric

the drive results on electrical energy

3.3

power driven jack

jack in which the drive does not result on muscular force

3.4

stroke

maximum powered vertical distance that the lifting point can cover

3.5 Loads

3.5.1

rated load

maximum load that a lifting equipment has been designed to carry throughout the whole stroke when operated as intended by the manufacturer and which is marked on the load plate

3.5.2

maximum possible load

maximum load that a lifting equipment complying with the requirements of this standard is able to carry due to the setting of the load limiting device

3.6 Change of place

3.6.1

movable

jack designed not to move or to be moved whilst under load (well when unloaded)

3.6.2

mobile

jack designed to move or be moved whilst under load



3.6.3

restraint guided

mobile or movable jack which only can be moved within a guiding

3.7

hold to run control

control device which initiates and maintains operation of machine elements only as long as the manual control (actuator) is actuated and the manual control (actuator) automatically returns to the stop position when released  (see 3.26.3 of EN ISO 12100-1:2003) 

3.8 Braking of the load supporting device

3.8.1

automatic brake

Braking device which is normally held on and which is released only by application of power. Operation is also instigated automatically by releasing the controls of the jack and by interruption of the power supply.

3.8.2

self braking drive

drive to stop automatically the movement of the load supporting device, as well unloaded as loaded with rated load, also after running-in, e. g. by a self braking spindle

3.8.3

load pressure brake

the braking force depends on the load and increases proportionally to the load

3.9

lift pad

load carrying part of the jack

3.10

claw

side fitted load bearing point

4 List of hazards

The following hazards from Annex A of EN 414 are applicable in the Situation described and could involve risks to persons if not reduced or eliminated. The corresponding requirements are designed to limit the risk or reduce these hazards in each situation.

Table 1 — List of hazards

HAZARDS		CORRESPONDING REQUIREMENT
1	Mechanical hazards	
1.1	Crushing hazards	5.6.1, 5.6.2, 5.14
1.2	Shearing hazard	5.6.1, 5.6.2, 5.14
1.3	Cutting or severing hazard	5.6.1, 5.6.2, 5.14
1.4	Entanglement hazard	not applicable
1.5	Drawing-in or trapping hazard	not applicable
1.6	Impact hazard	5.6.6, 5.7
1.7	Stabbing or puncture hazard	not applicable
1.8	Friction or abrasion hazard	not applicable
1.9	High pressure fluid injection hazard	5.5.3.7, 5.5.3.8
1.10	Ejection of parts (of machinery and processed materials/workpieces)	not applicable
1.11	Loss of stability (of machinery and machine parts)	5.9, 5.10, 5.11, 5.20.1, 5.20.6
1.12	Slip, trip and fall hazards in relationship with machinery (because of their mechanical nature).	not applicable
2	Electrical hazards	
2.1	Electrical contact direct or indirect	5.15
2.2	Electrostatic phenomena	not applicable
2.3	Thermal radiation or other phenomena such as ejection of molten particles, and chemical effects from short-circuits, overloads etc.	5.15
2.4	External influences on electrical equipment	5.15
3	Thermal hazards resulting in:	
3.1	Burns and scalds, by a possible contact of persons, by flames or explosions and also by the radiation of heat sources	5.12
3.2	Health-damaging effects by hot or cold work environment	not applicable
4	Hazards generated by noise	
4.1	Hearing losses (deafness), other physiological disorders (e.g. loss of balance, loss of awareness, etc.)	Annex A
4.2	interferences with speech communication, acoustic signals, etc.	Annex A
5	Hazards generated by vibration (resulting in a variety of neurological and vascular disorders)	not applicable

Table 1 — List of hazards

HAZARDS		CORRESPONDING REQUIREMENT
6	Hazards generated by radiation, especially by:	
6.1	electrical arcs	not applicable
6.2	lasers	not applicable
6.3	ionizing radiation sources	not applicable
6.4	machines making use of high frequency electro magnetic fields	not applicable
7	Hazards generated by materials and substances processed, used or exhausted by machinery	0, 5.10
7.1	Hazards resulting from contact with or inhalation of harmful fluids, gases, mists, fumes and dust	not applicable
7.2	Fire or explosion hazard	not applicable
7.3	biological and microbiological (viral or bacterial) hazards	not applicable
8	Hazards generated by neglecting ergonomic principles in machine design (mismatch of machinery with human characteristics and abilities) caused for example by	
8.1	unhealthy postures or excessive efforts	5.13, 5.16
8.2	inadequate consideration of human hand-arm or foot-leg anatomy	not applicable
8.3	neglected use of personal protection equipment	not applicable
8.4	inadequate area lighting	0
8.5	mental overload or underload, stress, etc.	not applicable
8.6	human error	5.6.1, 5.6.2, 5.6.3, 5.6.4, 5.6.5, 5.6.6
9	Hazards combinations	not applicable
10	Hazards caused by failure of energy supply, breaking down of machinery parts and other functional disorders	
10.1	failure of energy supply (of energy and/or control circuits)	5.8.4
10.2	unexpected ejection of machine parts or fluids	5.5.3.1, 5.5.3.7, 5.5.3.8
10.3	failure/disorder of control system (unexpected start up, unexpected overrun)	5.6.1, 5.8.1, 5.8.3
10.4	errors of fitting	7.1.3
10.5	overturn, unexpected loss of machine stability	7.1.2

Table 1 — List of hazards

HAZARDS		CORRESPONDING REQUIREMENT
11	Hazards caused by (temporary) missing and/or incorrect positioned safety related measures/means	
11.1	all kinds of guard	not applicable
11.2	all kinds of safety related (protection) devices	7.1.2, 7.1.3
11.3	starting and stopping devices	7.1.2, 7.1.3
11.4	safety signs and tags	5.6.3
11.5	all kinds of information or warning devices	7.1, 7.2
11.6	energy supply disconnecting devices	5.15
11.7	emergency devices	5.1.4, 5.6.7
11.8	feeding/removal means of workpieces	not applicable
11.9	essential equipment and accessories for safe adjusting and/or maintaining	5.8.1, 5.17.2
1.10	equipment evacuating, gases, etc.	not applicable
	HAZARDS DUE TO MOBILITY	
12	Inadequate lighting of moving/working area	0
13	Hazards due to sudden movement, instability etc. during handling	5.20.6
14	Inadequate/inergonomic design of driving/operating position	
14.1	hazards due to dangerous environments (contact with moving parts, exhaust gases etc.)	not applicable
14.2	inadequate visibility from driver's/operator's position	5.6.5
14.3	inadequate seat/seating (seat index point)	not applicable
14.4	inadequate/inergonomic design/positioning of controls	5.13
14.5	- starting/moving of self-propelled machinery	not applicable
14.6	- road traffic of self-propelled machinery	not applicable
14.7	- movement of pedestrian controlled machinery	not applicable

Table 1 — List of hazards

HAZARDS		CORRESPONDING REQUIREMENT
15	Mechanical hazards	
15.1	hazards to exposed persons due to uncontrolled movement	not applicable
15.2	hazards due to break-up and/or ejection of parts	5.8.2, 5.8.4
15.3	hazards due to rolling over (deflection limiting volume; DVL)	not applicable
15.4	hazards due to falling objects	5.18.1
15.5	inadequate means of access	not applicable
15.6	hazards caused due to towing, coupling, connecting, transmission etc.	5.13
15.7	hazards due to batteries, fire, emissions etc.	not applicable
	HAZARDS DUE TO LIFTING OPERATION	
16.1	lack of stability	5.9
16.2	derailment of machinery	5.5.1, 5.5.2
16.3	loss of mechanical strength of machinery and lifting accessories	5.5.3.1, 5.5.4.1, 5.10
16.4	hazards caused by uncontrolled movement	5.1, 5.2
16.5	hazards due to falling loads	5.18.1
17	inadequate view of trajectories of the moving parts	5.6.5
18	hazards caused by lighting	not applicable
19	hazards due to loading/ overloading	5.4

5 Safety requirements

5.1 Braking device

5.1.1 General

Jacks shall be designed or equipped in a way that the load can be restrained and held. Unintentional descent shall be prevented.

This requirement may be fulfilled e.g. by

- a) self-blocking drives for manual driven jacks and self-braking drives-for power driven jacks;
- b) automatic brakes;
- c) a load pressure brake in conjunction with a blocking device, e. g. automatically engaging pawls;
- d) non-return valves at the supporting cylinder.

"Automatically engaging" means that a pawl is forced to drop into place by reason of its design or through the force of a spring. For the use of springs see 5.8.4.

NOTE Descent of the load when the supply of energy is interrupted or irregular is regarded as unintentional descent. Lowering the load e.g. by opening the brake with the control device is regarded as intentional descent.

5.1.2 Dimensioning

Braking mechanisms shall be constructed in a way that the forces generated during braking can be safely restrained by the jack in any position of the load carrying device.

5.1.3 Interruption of the power flow

There shall be no device between the load carrying device and the braking device which the can interrupt the power flow.

5.1.4 Automatic operation

Braking mechanisms shall operate automatically after the control device has returned to the „Off“ position or when the drive power is interrupted or when the mechanisms described in 5.4 and 5.5.2.2 have responded.

NOTE Return to the "Off" position means for manual driven jacks when no operating force is applied.

5.1.5 Alterations

Braking mechanisms shall be designed in a way that the operator cannot alter their constructionally defined effect without the aid of tools.

5.2 Security against dropping

On manual driven hydraulic and pneumatic jacks it shall be possible for the operator to regulate the lowering speed or stop the lowering at any load up to the rated load.

5.3 Speeds

The maximum admissible average speed of descend for a jack, loaded with the rated load, is 0,15 m/s.

5.4 Security against overloading

Hydraulic and pneumatic jacks with a rated load of more than 100 kg and power driven mechanical jacks with a rated load of 1 000 kg at least shall be fitted with security devices against overloading.

This requirement can be fulfilled e. g. by

- a) torque limiters;
- b) pressure relief valves;
- c) limitation of driving energy.

These devices shall be set to the lowest possible value between 100 % and 125 % of the rated load. These devices shall be protected against unauthorized adjustment.

5.5 Transmission systems

5.5.1 Security of guides

Jacks shall be so equipped that rackstrips, spindles or pistons cannot unintentionally loosen from their guides.

This requirement shall be fulfilled in the case of cylinders if the piston is mechanically prevented from coming out of the cylinder.

5.5.2 End stops

5.5.2.1 Limitation of end positions

Each end position of jacks shall be limited mechanically or hydraulically. The forces generated when reaching the end positions shall be absorbed safely by the jacks. It shall not be possible to put these end-stop mechanisms unintentionally out of action.

5.5.2.2 End-stop mechanism

If power-driven jacks are provided with an automatic end-stop mechanism to limit the upwards and downwards travel the movement in the opposite direction shall still be possible when the automatic mechanism has responded.

Such end-stop mechanisms may be e. g.

- a) end-stop switches fulfilling the requirements of chapter 3 of EN 60947-5-1:1997 which are fitted in such a way that overshoot is taken into account, or
- b) slip-clutches which are fitted to limit the working travel safely, or
- c) pressure relief valves which are fitted in hydraulic or pneumatic systems to limit the working travel.

5.5.2.3 Height adaption spindle

Load carrying devices fitted with a height adaption spindle shall be provided with an automatic operating spindle travel stop which prevents turning out.

5.5.3 Additional requirements for hydraulic jacks

5.5.3.1 Dimensioning

Cylinders, pipes and their connections which can be exposed to the maximum pressure limited by the pressure relief valve shall resist at least 2 times this pressure without showing permanent deformations. Hoses and their connections shall be dimensioned to resist a bursting pressure that is at least 3 times the set pressure of the pressure relief valve.

5.5.3.2 Pressure relief valve

A pressure relief valve shall be fitted between the pump and the non return valve. The adjustment of the pressure relief valve only shall be possible by means of tools and it shall be secured against unauthorized adjustment. The allowed tolerance of the adjustment is between 100 % and 125 % of the rated load. The pressure relief valve shall be adjusted to the lowest possible value.

5.5.3.3 Bleeding the hydraulic system

In the hydraulic system means shall be provided to remove entrapped air.

5.5.3.4 Cleanliness of system medium

Every refillable hydraulic system shall have adequate means (e.g. filters) to aid the proper and continued working of the safety devices.

5.5.3.5 Refilling hydraulic fluid

Hydraulic jacks shall be provided with refilling openings to enable refilling without the spillage of hydraulic fluid.

5.5.3.6 Fluid tank

To prevent gas cushion in the hydraulic cylinders the fluid tank shall contain the maximum displaced volume necessary to operate the cylinder at its full stroke, + 10 % at least.

5.5.3.7 Protection against escaping hydraulic fluid

Apertures in jacks, e. g. those serving to limit the piston movement, and from which hydraulic fluid can escape during operation, shall be secured in such a way that persons cannot be injured by escaping hydraulic fluid.

5.5.3.8 Allocation of hoses and pipes

All connecting parts the failure of which can endanger persons by escaping hydraulic fluid shall be adequately covered.

5.5.4 Additional requirements for pneumatic jacks

5.5.4.1 Dimensioning

Cylinders, pipes and their connections which can be exposed to the maximum pressure limited by the pressure relief valve shall resist at least 2 times this pressure without showing permanent deformations. Hoses and their connections shall be dimensioned to resist a bursting pressure that is at least 3 times the adjusted pressure of the pressure relief valve.

5.5.4.2 Pressure relief valve

A pressure relief valve shall be fitted between the compressor and the non return valve. The adjustment of the pressure relief valve only shall be possible by means of tools and it shall be secured against unauthorized adjustment. The allowed tolerance of the adjustment is between 100 % and 125 % of the rated load. The pressure relief valve shall be adjusted to the lowest possible value.

5.5.4.3 Pressure reduction

If the pressure of compressed air supply is greater than the adjusted pressure of the pressure relief valve, a device that will reduce adequately the generated pressure automatically shall be installed.

5.5.4.4 Cleanliness of system medium

Every pneumatic system shall have adequate means (e.g. filters) to aid the proper and continued working of the safety devices.

5.5.4.5 Drive by exhaust fumes

Jacks driven by exhaust fumes of internal combustion machines shall resist the special stresses (especially temperature and chemical influences).

5.6 Control devices

5.6.1 Hold to run control

Control devices for setting power driven jacks in motion shall be of the hold-to-run type.

5.6.2 Unintentional operation

Control devices for power driven jacks shall be protected against unintentional operation.

5.6.3 Identification

The direction of movement caused by the control device shall be identified in a durable, unambiguous and easily recognisable manner.

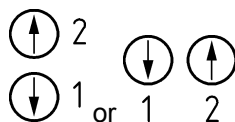
The direction of motion can be identified by symbols or words. The identification can be attached to the control device itself or immediately alongside it.

5.6.4 Obviousness

For power driven jacks and - wherever possible for manual driven jacks - the direction of operation of the controls and of the movements they cause shall be arranged in an obvious relationship to one another.

Preferably this requirement may be fulfilled, e. g. for raising and lowering movements:

- a) in the case of buttons, if the button for the raising movement is arranged above the button for the lowering movement, or if the button for the raising movement is arranged on the right and the button for the lowering movement on the left (see figure 7),



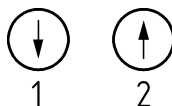
Key

1 down

2 up

Figure 7 — Arrangement of buttons

- b) in the case of foot-control, if the control device for the raising movement is on the right and for the lowering movement on the left (see figure 8),



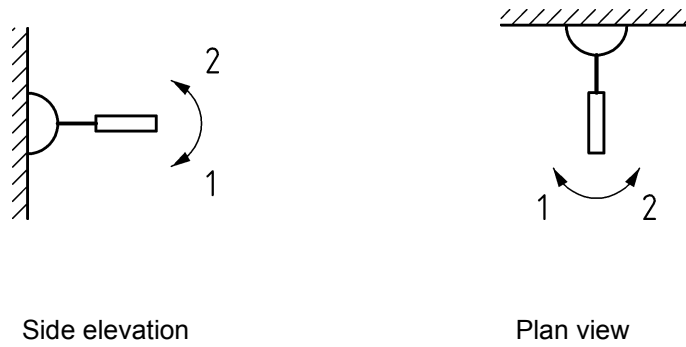
Key

1 down

2 up

Figure 8 — Arrangement of foot controls

- c) in the case of horizontal levers,
- if the upwards movement of the lever generates the raising movement and the downwards movement of the lever the lowering movement (see figure 11),
 - if the movement of the lever to the right generates the raising movement and the movement of the lever to the left the lowering movement (see figure 9),

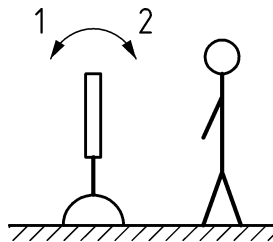


Key

- 1 down
- 2 up

Figure 9 — Movement of horizontal levers

- d) in the case of vertical levers, if the movement of the lever towards the human body generates the raising movement and the movement of the lever away from the human body the lowering movement (see figure 10),

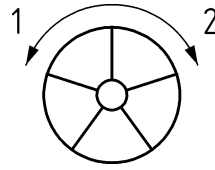


Key

- 1 down
- 2 up

Figure 10 — Movement of vertical levers

- e) in the case of wheels, if turning the wheel to the right generates the raising movement and turning it to the left generates the lowering movement (see figure 11).



Key

- 1 down
- 2 up

Figure 11 — Movement of hand wheels

5.6.5 Visibility

The operator's position shall give the operator a clear view of the hazardous parts of the jack and its load at all times through its vertical movement. If the operator's position is not determined by the manufacturer see 7.

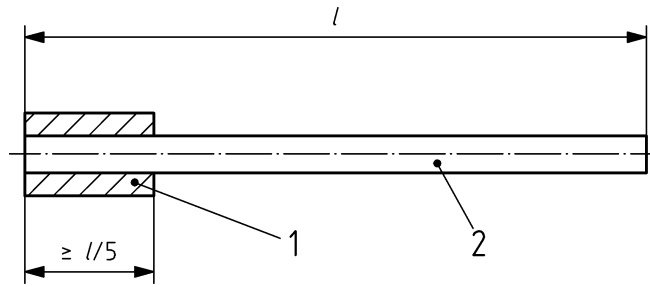
5.6.6 Control devices of manually operated jacks

Control devices of manually operated jacks shall be equipped in such a way that

- a) winding handles, levers, or wheels cannot turn back under load more than 15 cm, measured at the greatest radius of the control (reversal security). Reversal security shall not be necessary for hand-wheels if these take the form of complete smooth disc wheels shut and without any other handles;
- b) the direction of rotation of winding handles remains the same regardless of gearing, and
- c) removable winding handles, levers, and hand-wheels shall be secured against slipping and unintentional removal from the drive shaft.

Requirement c) may be fulfilled e.g.

- if securing mechanisms such as snap-in latches or locking springs are fitted or
- for winding handles or levers up to a length of 250 mm if they can be pushed into their shafts at least to one-fifth of their own lengths (see figure 12).



Key

- 1 shaft
- 2 lever

Figure 12 — Minimum length of lever in a shaft

5.6.7 External power supply

If an external power supply is used there shall be means to disconnect the power and to secure them against unallowed re-connection.

5.7 Combined manual and power-operated jacks

Jacks capable both of being manually operated and driven by power shall be designed in such a way that no-one can be put in danger by movements of the manual controls when the power drive is on.

This requirement may be fulfilled if

- a) the manual drive is automatically uncoupled when the power drive is on, or
- b) power and manual operation are covered by an interconnected locking mechanism, or
- c) completely smooth discs without any other handles are fitted.

5.8 Requirements for safety mechanisms

5.8.1 Adjustments

The braking device mentioned in 5.1, the security device against overloading mentioned in 5.4 and the reversal security device mentioned in 5.6.6 shall be designed and constructed in such a way that adjustment is impossible without the aid of tools.

This requirement is e.g. fulfilled in the case of jacks with removable winding handles or levers if a reversal and a braking device are integrated parts of the jack.

This requirement is fulfilled on safety devices with safety catches in case the safety catch cannot be brought out of operation, e.g. by a special styling or by the use of covers.

5.8.2 Materials

Ratchet pawls, fixing wheels, and similar locking mechanisms shall be so constructed that neither a breakage after a period of time or through brittleness need be feared nor plastic deformations occur by reason of the toughness of the material used.

5.8.3 Effects of weather and dirt

The safety devices on jacks shall be constructed and fitted in such a way that they cannot be put out of action by the effects of the weather or by dirt when used as intended by the manufacturer.

This requirement may be fulfilled e. g. by

- a) encapsulating;
- b) choice of material;
- c) design.

5.8.4 Breakage of springs

Failure of a spring shall not make safety devices inoperative.

This requirement may be met e.g. by

- a) the installation of a number of springs if, in the event of one spring failing, the remaining springs provide sufficient retaining power;
- b) the use of compression springs with both ends fixed or by selection of springs such that the wire diameter is greater than the distance between the coils, hence preventing the two pieces from winding into each other in the event of a breakage. Furthermore, compression springs shall be guided to prevent them buckling or the ends becoming displaced during use.

NOTE In the case of springs that are under static pressure, e. g. in slip clutches, it is assumed that no spring breakage will occur.

5.9 Lift pad

The lift pad shall have a rough surface or be designed in such a way to counteract any tendency of the load to slip off.

By design the projection of the lift pad shall always be within the tipping lines of the jack. This requirement does not apply to claws at the side of the jack.

5.10 Structural design

All manual operated mechanical jacks defined within the scope of this standard shall be designed to withstand at least 150 % of the rated load in all critical modes at ambient temperature without showing permanent deformation of any part. For all other jacks the same requirement is valid with the exception that 150 % of the maximum possible load shall be taken into consideration.

5.11 Climatic conditions

The jacks shall be designed to work at rated load in a temperature range of -20 °C to +50 °C.

NOTE If in other applicable standards there are more restricted temperature ranges, the manufacturer needs to take this into account when negotiating with the supplier of the relevant components.

5.12 Hot surfaces

If any parts of the driving system (e. g. hydraulic tanks, motors etc.) are designed to operate at a high temperature of above 55 °C, these parts shall be protected or positioned to avoid contact of persons.

5.13 Forces

Maximum admissible forces for operating and translating the jack and methods to measure it see Annex C.

5.14 Protection against pinching and shearing

Generally pinching and shearing shall be avoided by minimum gaps according to EN 349 and EN 811 between moving parts and between moving and fixed parts. As an alternative to these minimum gaps other safety measures can be taken to avoid the operator or any other persons being endangered, e. g. screens, barriers, deflectors, non-mechanically actuated trip devices complying with EN 61496-1:1997, mechanically actuated trip systems complying with category 1 of EN 954-1:1996, multiple controls requiring simultaneous operation. Some of these examples will not be sufficient by themselves in particular cases.

The pinching and shearing points between parts of the jack are considered as secured if they cannot be reached due to the lifted load foreseen by the manufacturer.

These requirements are not valid for manual operated jacks. There it is sufficient that there exists no possibility to reach pinching and shearing points with the part of the body which operates the jack.

NOTE Due to the wide range of application of this standard it is not possible to cover all details. According to each situation, several measures could be necessary to provide a sufficient protection. As it depends on the construction and the purpose, the manufacturer should decide which measures are necessary to achieve the required safety.

5.15 Electricity

If an electrical power supply is used it shall conform to EN 60204-32.

5.16 Transport and installation equipment

Movable jacks shall be so equipped that they can be transported and set up or fixed safely.

The requirement that jacks can be transported safely shall be met if such devices with a weight of 10 kilos or more are provided with handles, carrying hooks, attachment loops or other means of attachment. The requirement shall also be met if the design of the jacks inherently guarantees safe handling and transport.

5.17 Provisions for maintenance

5.17.1 Accessibility

All bearing parts and all moving parts that require regular inspection shall be easily accessible.

5.17.2 Adjustment

All screws, pins, bolts and similar parts shall have means for preventing self loosening. They shall allow adjustment if necessary.

5.18 Special requirements for hydraulic transmission jacks

5.18.1 Holding device

The hydraulic transmission jack shall be provided with a load carrying device which has as an integrated part means of securing the load in any position of the load carrying part.

5.18.2 Lowering speed

In case of leakage in the line a higher speed than described in 5.3 is accepted, but the load shall then stop within a range of 100 mm.

5.19 Special requirements for trolley jacks

5.19.1 Guidance of the lift pad

The lift pad shall remain horizontal throughout the travel of the lifting beam (see figure 4) and be free to rotate through 360° about a vertical axis.

5.19.2 Lowering of the load

The lift pad shall return to its lowest position with no load and with no form of activation other than the control device.

5.20 Special requirements for pit jacks

5.20.1 Overturning protection

Overturning of the lifting unit when operated as intended by the manufacturer shall be avoided by its design.

5.20.2 Lowering speed

In case of leakage in the line a higher speed than described in 5.3 is accepted, but the load shall then stop within a range of 100 mm.

5.20.3 Adjustments

It shall be possible to secure adjustable connections at the cradle of a pit jack by interlocking means.

5.20.4 Hold to run control

Each control device shall be of the hold to run type.

5.20.5 Unintentional operation

Control devices shall be protected against unintentional operation.

5.20.6 Crash protection

Measures against derailing and/or dropping shall be provided. Measures may be:

- supporting devices in case of breakage of rollers or axles;
- designs of rails or
- underguarding.

5.21 Special requirements for jacks without integrated pump

In case of rupture of the connection between cylinder and pump a higher speed than described in 5.3 is accepted, but the load shall then stop within a range of 100 mm.

6 Verification

6.1 General

6.1.1 Tests

The checks and tests to ensure that the jack complies with this standard shall consist of:

- a) design check (see 6.1.2);
- b) manufacturing check (see 6.1.3);
- c) visual verification (see 6.1.4);
- d) practical tests (see 6.1.5);
- e) electrical tests (see 6.1.6);
- f) final inspection before despatch (see 6.2).

A type verification shall consist of 6.1.2, 6.1.3, 6.1.4, 6.1.5 and 6.1.6.

An individual machine verification shall consist of 6.2.

The result of the examinations and tests shall be recorded in a dated and signed report with the name and position of the person(s) who has signed it and the name and address of the company or organisation that made the tests.

6.1.2 Design check

The design check shall verify that the requirements of this standard are fulfilled. It shall also be checked that:

- a) the drawings are available and complete and give the main dimensions of the jack;
- b) there is a description of the jack with the necessary information about its capabilities;
- c) information is given concerning the materials and proprietary components used;
- d) diagrams of the hydraulic, pneumatic and electrical circuits are available and complete;
- e) instructions covering installation, commissioning, operating, maintenance and dismantling are available and complete.

The documents shall give all the necessary information to enable the check of the calculation requirements.

6.1.3 Manufacturing check

The manufacturing check shall verify that:

- a) the jack has been manufactured in accordance with the checked documents and drawings;
- b) test certificates are available e. g. for wire ropes, chains and hoses if used.

6.1.4 Visual verification

It shall be visually verified that:

- a) all the marking specified in 7.2 have been affixed to the jack;
- b) the jack is in accordance with all the documentation provided by the manufacturer;
- c) the means of transport and installation conform to 5.16;
- d) there is no evidence of external leakage of hydraulic fluid;
- e) the instruction handbook described in 7.1 is provided.

6.1.5 Practical tests

Practical tests as detailed in annex B.1 for type testing and annex B.2 for individual machine final verification, shall be carried out to verify that:

- a) the jack is stable;
- b) the jack is structurally sound;
- c) all the functions of the jack can be safely and correctly carried out.

6.1.6 Electrical tests

The electrical tests shall be carried out according to EN 60204-32, where applicable.

6.2 Individual final verification before despatch

6.2.1 Before despatch of each jack, a verification shall show that the jack satisfies the safety requirements of this standard. The results of this verification shall be recorded.

6.2.2 If a type test for the jack model has been carried out, then it is only necessary to functionally test

- each individual jack without load throughout its full travel;
- each individual hydraulic/pneumatic jack with rated load throughout its full travel and also the correct functioning of the pressure relief valve;
- on manual driven mechanical jacks at least 10 % of the series with the rated load throughout its full travel;
- each individual power driven mechanical jack with 110 % of the rated load throughout its full travel.

6.2.3 Where the jack has not been type tested, the final verification shall consist of tests and verifications according to 6.1.2, 6.1.3, 6.1.4, 6.1.5 and 6.1.6.

7 Information for use

7.1 Instruction for use and instruction handbook

An operating and instruction handbook complying with $\boxed{A_1}$ 6.5 of EN ISO 12100-2:2003 $\boxed{A_1}$ shall be delivered by the manufacturer with each jack.

7.1.1 General

The instruction handbook shall clearly describe the type and scope of the jack and state the standard to which it conforms. Further it shall include at least the rules according to 7.1.2 to be followed by the user. Further the following restrictions given in this standard and hints necessary according to this standard shall be contained:

- a) Limitation of range of application as
 - operation in severe conditions (e.g. extreme climates, freezer application, strong magnetic fields);
 - operation subject to special rules (e.g. potentially explosive atmospheres, mines);
 - supply by electrical networks where the tolerances in voltage, frequency etc. differ from those in the public supplies;
 - life time of the jack;
 - prohibition of lifting of persons.
- b) static electric problems;
- c) handling of loads, the nature of which could lead to dangerous situations (e.g. molten metal, acids, radiating materials, especially brittle loads);
- d) hazards occurring during decommissioning;
- e) wind pressure in and out of use;
- f) direct contact with foodstuffs;
- g) limits of use in relation to the actual IP-level;
- h) limits of use in relation to the actual IK-level;
- i) operation on sea ships;
- j) hint to spillage of oil;
- k) hint that in case the generated efforts exceed the values given in Annex C, the efforts shall be lowered by additional persons;

A1

- l) the operating method to be followed in the event of accident or breakdown; if a blockage is likely to occur, the operating method to be followed so as to enable the equipment to be safely unblocked;
- m) the specifications of the spare parts to be used, when these affect the health and safety of operators. **A1**

7.1.2 Rules for operating

The rules for operating shall include:

- The user shall work in accordance with the instruction handbook;
- It is necessary that the operator can watch the lifting device and the load during all movements;
- It is not allowed to work under the raised load until it is secured by suitable means;

- The operator shall be provided with all necessary information about training and about pumping and translating forces.

7.1.3 Maintenance and repair

The rules for maintenance and repair shall include:

- When refilling the hydraulic system the characteristics of the hydraulic fluid used in the jack and the level of the hydraulic fluid as it is given by the manufacturer shall be observed;
- Information about hoses;
- Need to check the state of the markings and that the markings remain as the initial one;
- Jacks shall be maintained and repaired in accordance with the manufacturers instructions. Such maintenance and repair shall be carried out by qualified persons;
- No modifications shall be carried out which adversely affect the compliance of the jack with this standard.

7.2 Minimum marking

Every jack shall be marked permanently and legibly on a non removable part of the device with the following information:

- $\boxed{A_1}$ the business name and full address of the manufacturer and, where applicable, his authorised representative;
- design of series or type;
- product code and designation of the machinery; $\boxed{A_1}$
- Serial number or batch code;
- $\boxed{A_1}$ the year of construction, that is the year in which the manufacturing process is completed; $\boxed{A_1}$
- Rated load;
- Where the rated load depends on the configuration of the jack the rated loads shall be shown for each configuration on a load plate, preferably in diagrammatic form or by means of tables;
- All necessary hydraulic supply information if an external hydraulic power supply is used;
- All necessary pneumatic supply information if an external pneumatic power supply is used;
- All necessary electrical supply information if an external electric power supply is used;
- Hint on residual risks.

Annex A

(normative)

Noise

For most machinery dealt with in this standard noise is not considered to be a significant hazard. This does however not absolve manufacturers of machines of the responsibility to provide information about the noise emission in the information for use of the machine.

The A-weighted, time averaged emission sound pressure level at the work station shall be measured according to EN ISO 11201 throughout one complete cycle (lifting from ground position to maximum height and then lowering to ground position) with the jack loaded with rated load. The position of the work station shall be defined in accordance with 11.5 of EN ISO 11201:1995. If this value does not exceed 70 dB(A) this fact shall be stated in the manual. If this value exceeds 70 dB(A), the value declared in accordance with EN ISO 4871, using the dual-number format, shall be specified in the manual.

Annex B **(normative)**

Test procedures

B.1 Practical tests for Type Testing Procedure

B.1.1 General

- a) Check the correct operation of the controls;
- b) Check that the safety devices are functioning as intended;
- c) Operate the unloaded jack through one complete cycle;
- d) Place the rated load distributed as specified by the manufacturer on the jack and operate it through one complete cycle. Record the maximum operating pressure in steady state for hydraulic and pneumatic drives;
- e) Record the time taken to fully lower the jack while carrying the rated load. The average speed shall not exceed 0,15 m/s;
- f) Leave the jack, still carrying the rated load, fully raised for 10 min. Measure and record the vertical descend of the jack in this time. Generally this descend shall not exceed 2 mm. On hydraulic jacks using mechanical linkages (e.g. trolley jacks) a maximum descend of 5 mm is admissible;
- g) static overload

Lift the lift pad without the load to half stroke position. Expose the jack positioned vertically to a vertical load of

- 150 % of the rated load in case of manual operated mechanical jacks
- 150 % of the maximum possible load in all other cases.

Under this condition (height adaptation spindle turned to the highest position) it shall be possible to carry the load, to sustain it for a period of 15 minutes and to lower it.

After this test the tested jack shall be dismantled to prove that no permanent deformation has occurred in any part.

- h) dynamic overload

For the following test the pressure relief valve of hydraulic and pneumatic jacks shall be neutralized.

Position the jack vertically and apply a vertical load of

- 125 % of the rated load in case of manual operated mechanical jacks
- 125 % of the maximum possible load in all other cases.

The jack shall then be capable of lifting and lowering this load through its entire stroke as for intended use.

After this test the tested jack shall be dismantled to prove that no permanent Deformation has occurred in any part.

- i) Manual forces;

Manual forces shall be measured according to Annex C.

- j) Over travel device;

Operate the jack without load 10 times to the upper position until the over travel device is operating. No permanent deformation of any part is permissible.

- k) Test the load limiting device;

- l) Check satisfactory operation of braking or holding devices according to the design, where fitted.

B.1.2 Additional tests for hydraulic jacks

All types of hydraulic jacks can exist in principle also as pneumatic jack. For the pneumatic jacks the same additional tests as stated in B.1.2 shall be performed.

- a) Stati test

Store the jack at an ambient temperature of $+ (23 \pm 5) ^\circ\text{C}$ for at least 12 hours. Then expose it to its maximum possible load at nominal full stroke specified by the manufacturer, for at least 30 minutes.

Within that time, generally a maximum lift pad lowering movement of 2 mm is admissible. On hydraulic jacks using mechanical linkages (e.g. trolley jacks) a maximum descend of 5 mm is admissible. The measurement is to start 5 minutes after applying the load.

If an auxiliary load point is fitted then the jack or cylinder shall be subjected additionally to the above tests using the auxiliary load point to apply the load. Any lower maximum possible load of the auxiliary load point shall be used instead of the maximum maximum possible load to which it is attached.

- b) Pressure reliefvalve

Expose the jack to a load according to the set pressure of the pressure relief valve plus 5 %. Then the jack shall not be capable to lift this load but shall be able to sustain it.

Then, pump the jack up to its full stroke without the load until the pressure relief valve operates. This pressure shall be recorded and shall not exceed 125 % of the rated load. This test shall be performed 10 times in a row. No failure of the pressure relief valve is admissible.

On devices with hydraulic limitation of the end position the test shall be performed at 2/3 of the full stroke. At this test the piston shall be blocked by application of an external force. On devices with telescopic cylinder the stage with the smallest diameter shall be partially extended.

- c) Safety device against pipe damage

On jacks a breaking of the connection between cylinder and pump (hose, pipe) shall be simulated. The non-return valve on the jack shall respond. The load shall not come down more than 100 mm. It shall not be possible to reoperate the jack by the normal controls until proper measures are taken.

B.1.3 Additional tests for hydraulic jacks for road vehicles

In addition to the tests according to B.1.1 and B.1.2 the following tests shall be performed:

- a) Behaviour at tempertures

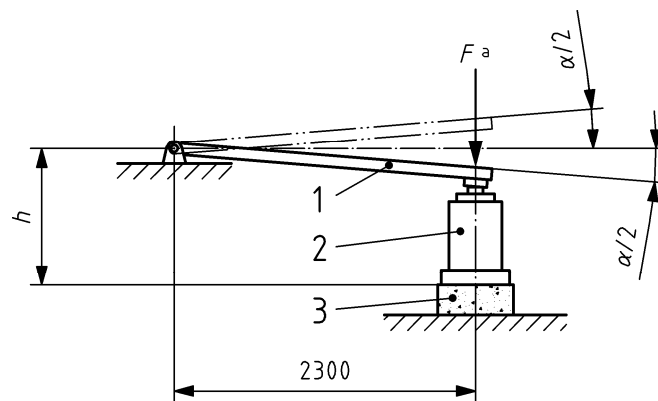
Store the jack at $(50 \pm 5) ^\circ\text{C}$ for a min. period of 12 h. No visible leakage is admissible during this test.

Then store the jack at $(20 \pm 2) ^\circ\text{C}$ for a min. period of 12 h. No visible leakage is admissible during this test.

The jack shall be placed in its operating position on the test rig immediately after each of the above conditioning and shall be able to lift the rated load at each of the above temperatures through the full stroke specified by the manufacturer.

Use the test rig as shown in figure B.1.

$\boxed{A_1}$ Dimensions in millimetres



Key

- F load application device
- 1 lever A
- 2 jack under test
- 3 concrete block
- h according to B.1.3
- ^a according to B.1.3 $\boxed{A_1}$

Figure B.1 — Test rig

Lever A is intended to simulate the travel of the axle to be lifted. Dimension h shall be adjusted in the way that lever A is horizontal when the jack is in the middle of its stroke.

The area on lever A where the head of the jack is applied shall have a hardness of at least 285 HB and a surface roughness of $R_a 6,3 \mu\text{m}$, to avoid slipping off.

b) Strength test

The jack shall be capable to lift, to stop and to lower the rated load 50 times over the full stroke at a temperature of $(23 \pm 5) ^\circ\text{C}$, with the height adaptation spindle turned to the lowest position. Between each lift, there shall be a pause of 5 minutes.

Lubrication after 10 strokes is allowed.

After maintaining the rated load for 2 minutes, the height shall be checked after the last lift.

This height shall be such that it proves that the nominal stroke quoted by the manufacturer is achieved with an acceptable tolerance of -2 mm.

c) Stability test

Hydraulic jacks shall be placed on a 6° plate as figure B.2 and a load equivalent to 125 % of its rated load applied in the middle of the lift pad at 80 % of its maximum stroke, spindle not extended, for a period of 5 minutes. The jack shall show no permanent deformation and no failure of any part.

Further it shall be verified by calculation that the vertically projected area of the lift pad is within the tipping lines when the jack is inclined by 6° in the worst condition.

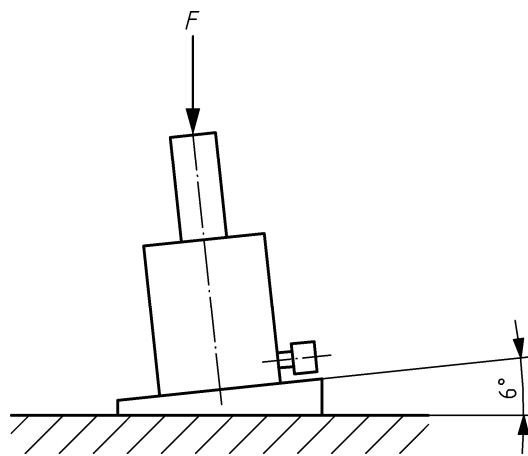


Figure B.2 — Stability Test

B.1.4 Additional tests for trolley jacks

In addition to the tests according to B.1.1 and B.1.2 and instead of the tests according to B.1.3 the following tests shall be performed:

1) Test:

Operate the unloaded jack through one cycle.

The lift pad shall remain horizontal over the whole stroke. It shall return to its lowest position without load by operating the normal controls for lowering.

2) Test:

Point-load outside the centre of the lift pad with the load displaced in transverse direction of the jack

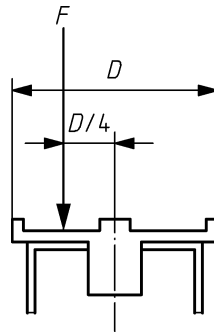


Figure B.3 — Load application for 2nd test

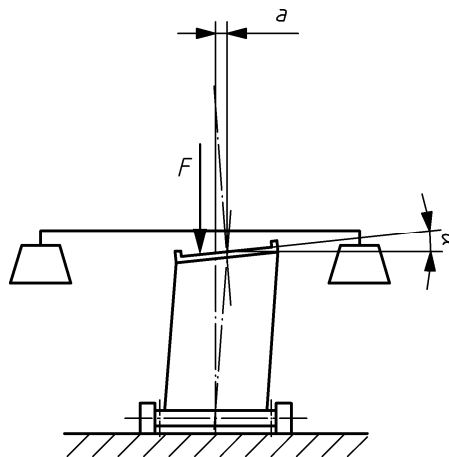


Figure B.4 — Load application for 2nd test

Lift the load from the lowest to the highest position. The test shall be performed twice while changing the load from one side to the other.

Load: $F = 0,5 \times \text{rated load}$

Check under load in lowest, highest and mid-position of the lift pad that

- the trolley jack functions without restrictions;
- $\alpha \leq 6^\circ$;
- $a \leq 5 \text{ mm}$.

α : inclination of the lift pad against the horizontal

a : lateral distance between the centre of the lift pad and the vertical centre line of the jack

Check after removing the load that no permanent deformations are existing.

3) Test:

Centric applied load on the trolley jack which is located with one front wheel on a 15 mm high sheet.

Dimensions in millimetres

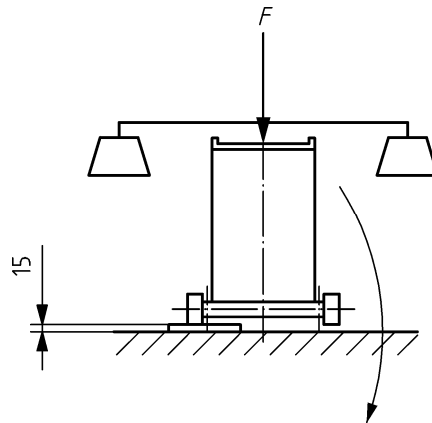


Figure B.5 — Load application for 3rd test

Lift the load from the lowest to the highest position. The test shall be performed twice while the sheet is once located below the right and once below the left front wheel.

Load: $F = 0,75 \times \text{rated load}$

Check under load that the trolley jack functions without restrictions.

Check after removing the load that no permanent deformations are existing.

4) Test:

Centric applied load on the trolley jack which is on one side located with one front wheel and one rear wheel on a 15 mm high sheet

Dimensions in millimetres

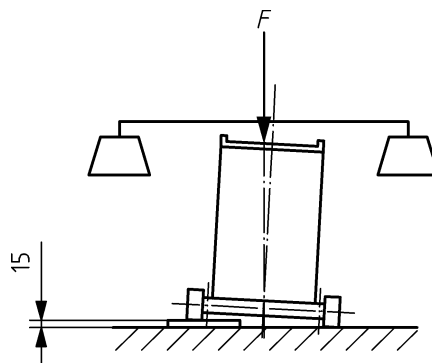


Figure B.6 — Load application for 4th test

Lift the load from the lowest to the highest position. The test shall be performed twice while the sheet is once located below the right and once below the left side of the jack.

Load: $F = 0,75 \times \text{rated load}$

Check under load that the trolley jack functions without restrictions.

Check after removing the load that no permanent deformations are existing.

5) Test:

Point-load outside the centre of the lift pad with the load displaced in longitudinal direction of the jack

Dimensions in millimetres

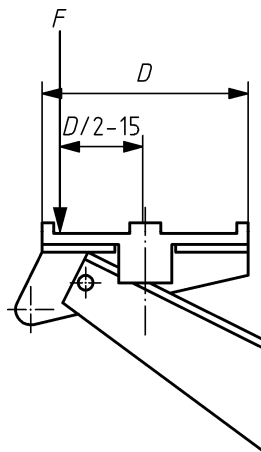


Figure B.7 — Load application for 5th test

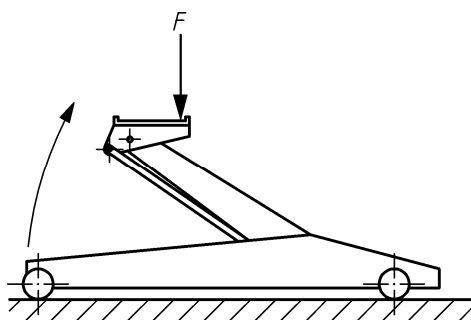


Figure B.8 — Load application for 5th test

The load is lifted from the lowest to the highest position. The test shall be performed twice while changing the load from the front side to the rear side.

Load: $F = \text{rated load}$

Check under load in lowest, highest and mid-position of the lift pad that

- the trolley jack functions without restrictions
- declination of the lift pad $\leq 6^\circ$

Check after removing the load that no permanent deformations are existing.

6) Test:

Centric applied load on the trolley jack

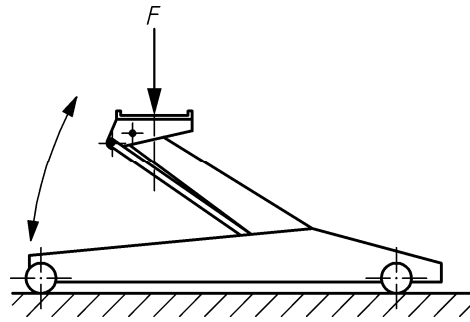


Figure B.9 — Load application for 6th test

Lift the load from the lowest to the highest position and then lower it to the lowest position. The test shall be performed 50 times. Lubrication during the tests is admissible.

Load: $F =$ rated load

Check under load

- that the trolley jack functions without restrictions
- 10 minutes after the last lifting the stroke shall not be less than the nominal stroke given by the manufacturer minus 5 mm.

Check after removing the load that no permanent deformations are existing.

B.2 Practical tests for fitness for purpose test when the jack has been type tested

- a) Check the correct operation of the controls;
- b) Check that the emergency stop and other safety devices (if fitted) are correctly functioning;
- c) Operate the unloaded jack through at least one complete cycle;
- d) Load the jack with 10 % more than the rated load and operate it through one complete cycle;
- e) Test the load limiting device.

Annex C (normative)

Manual forces and manual force measurement methods

C.1 Maximum allowed forces

The maximum manual forces required for jack operations (unloaded respectively loaded with rated load) shall not exceed the following figures:

To start moving an unloaded movable or mobile jack: 300 N

To maintain the movement of the unloaded jack: 200 N

To start moving a loaded mobile jack: 400 N

To maintain the movement of the loaded mobile jack: 300 N

To raise the loaded jack using the lever of a hand pump: 400 N

To raise the loaded jack using a foot pump: 400 N

To raise the loaded jack with a rated load ≤ 5 t using a crank: 250 N

To raise the loaded jack with a rated load > 5 t using a crank: 400 N.

If the generated efforts exceed these values, the efforts shall be lowered by additional persons.

C.2 Conditions for test

The tests shall be carried out with a new jack on a smooth, dry, level, trowelled finish concrete floor in good condition. The tests shall be carried out in an ambient temperature of between 15 °C and 28 °C. The measuring instrument used shall have a range of error of ± 3 %.

The forces required are measured in accordance with the methods described below. Two tests in both the forward and reverse directions shall be carried out and the average result recorded.

C.3 Measurement of starting force and rolling force

With the unloaded jack in starting position and stationary, the wheels are positioned in the direction that they naturally take when moving the jack in the test direction.

The force shall be applied horizontally along the jack's axis, on the handle or bar in the test direction.

C.4 Starting force

The maximum value necessary to start the jack moving shall be recorded.

C.5 Rolling force

The maximum value necessary to maintain the jack at a stabilised speed of 0,5 m/s shall be recorded.

C.6 Average forces

The maximum starting force or the maximum rolling force is the average of the maximum values recorded in each direction of travel, forward and reverse, during two successive tests.

C.7 Hand or foot forces

Actuate the handle or foot pedal as many times as necessary raise the fully loaded jack to its maximum height.

The maximum force value is measured perpendicularly to the handle or pedal during each pumping cycle.

The maximum force value is the average of the maximum values recorded at each handle or pedal cycle during one complete lifting.

Annex ZA (informative)

A1 Relationship between this European Standard and the Essential Requirements of EU Directive 98/37/EC

This European Standard has been prepared under a mandate given to CEN by the European Commission and the European Free Trade Association to provide a means of conforming to Essential Requirements of the New Approach Directive 98/37/EC, amended by 98/79/CE on machinery.

Once this standard is cited in the Official Journal of the European Communities under that Directive and has been implemented as a national standard in at least one Member State, compliance with the normative clauses of this standard confers, within the limits of the scope of this standard, a presumption of conformity with the relevant Essential Requirements of that Directive and associated EFTA regulations.

WARNING — Other requirements and other EU Directives may be applicable to the product(s) falling within the scope of this standard. **A1**

Annex ZB
(informative)

▣_{A1} Relationship between this European Standard and the Essential Requirements of EU Directive 2006/42/EC

This European Standard has been prepared under a mandate given to CEN by the European Commission and the European Free Trade Association to provide a means of conforming to Essential Requirements of the New Approach Directive 2006/42/EC.

Once this standard is cited in the Official Journal of the European Communities under that Directive and has been implemented as a national standard in at least one Member State, compliance with the normative clauses of this standard confers, within the limits of the scope of this standard, a presumption of conformity with the relevant Essential Requirements of that Directive and associated EFTA regulations.

WARNING — Other requirements and other EU Directives may be applicable to the product(s) falling within the scope of this standard. A1

British Standards Institution (BSI)

BSI is the independent national body responsible for preparing British Standards. It presents the UK view on standards in Europe and at the international level. It is incorporated by Royal Charter.

Revisions

British Standards are updated by amendment or revision. Users of British Standards should make sure that they possess the latest amendments or editions.

It is the constant aim of BSI to improve the quality of our products and services. We would be grateful if anyone finding an inaccuracy or ambiguity while using this British Standard would inform the Secretary of the technical committee responsible, the identity of which can be found on the inside front cover.
Tel: +44 (0)20 8996 9000 Fax: +44 (0)20 8996 7400

BSI offers members an individual updating service called PLUS which ensures that subscribers automatically receive the latest editions of standards.

Buying standards

Orders for all BSI, international and foreign standards publications should be addressed to Customer Services.

Tel: +44 (0)20 8996 9001 Fax: +44 (0)20 8996 7001

Email: orders@bsigroup.com

You may also buy directly using a debit/credit card from the BSI Shop on the Website <http://www.bsigroup.com/shop>.

In response to orders for international standards, it is BSI policy to supply the BSI implementation of those that have been published as British Standards, unless otherwise requested.

Information on standards

BSI provides a wide range of information on national, European and international standards through its Library and its Technical Help to Exporters Service. Various BSI electronic information services are also available which give details on all its products and services. Contact the Information Centre.

Tel: +44 (0)20 8996 7111 Fax: +44 (0)20 8996 7048

Email: info@bsigroup.com

Subscribing members of BSI are kept up to date with standards developments and receive substantial discounts on the purchase price of standards. For details of these and other benefits contact Membership Administration.

Tel: +44 (0)20 8996 7002 Fax: +44 (0)20 8996 7001

Email: membership@bsigroup.com

Information regarding online access to British Standards via British Standards Online can be found at <http://www.bsigroup.com/BSOL>.

Further information about BSI is available on the BSI website at <http://www.bsigroup.com>.

Copyright

Copyright subsists in all BSI publications. BSI also holds the copyright, in the UK, of the publications of the international standardization bodies. Except as permitted under the Copyright, Designs and Patents Act 1988 no extract may be reproduced, stored in a retrieval system or transmitted in any form or by any means – electronic, photocopying, recording or otherwise – without prior written permission from BSI.

This does not preclude the free use, in the course of implementing the standard, of necessary details such as symbols, and size, type or grade designations. If these details are to be used for any other purpose than implementation then the prior written permission of BSI must be obtained.

Details and advice can be obtained from the Copyright & Licensing Manager.

Tel: +44 (0)20 8996 7070 Email: copyright@bsigroup.com