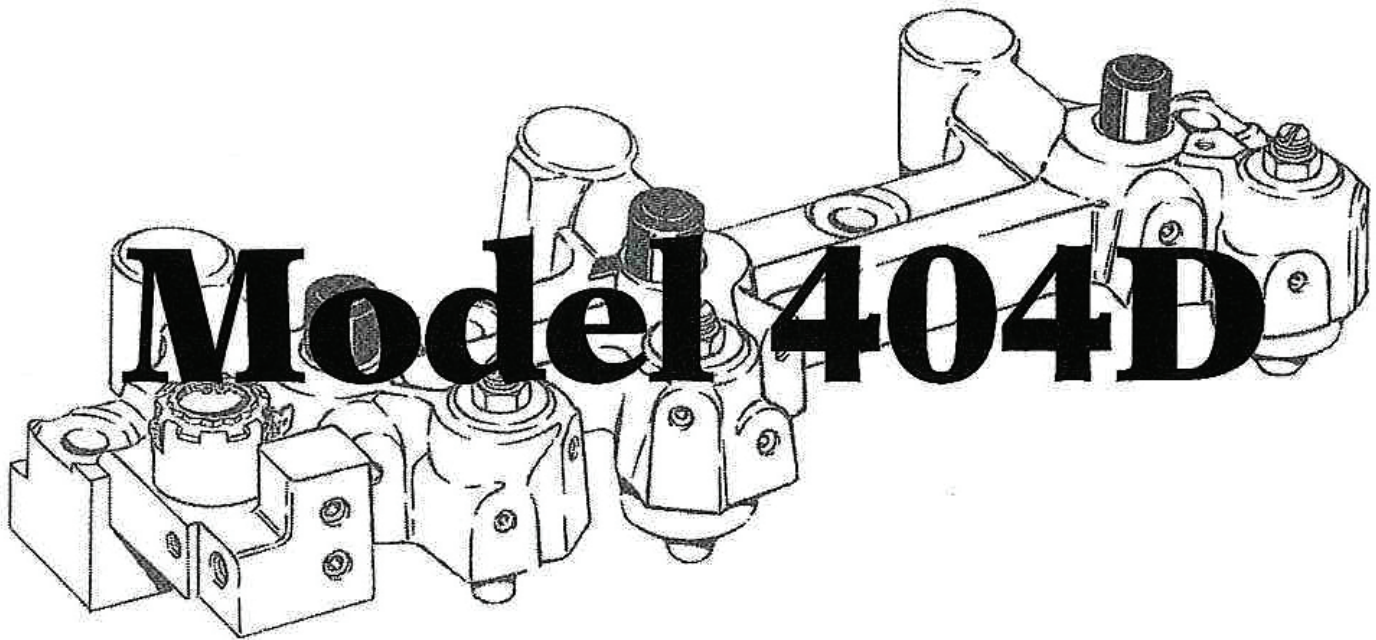




Jacobs Vehicle Systems®

Model 404D Parts Manual

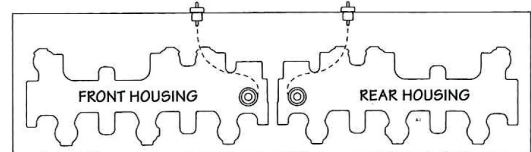
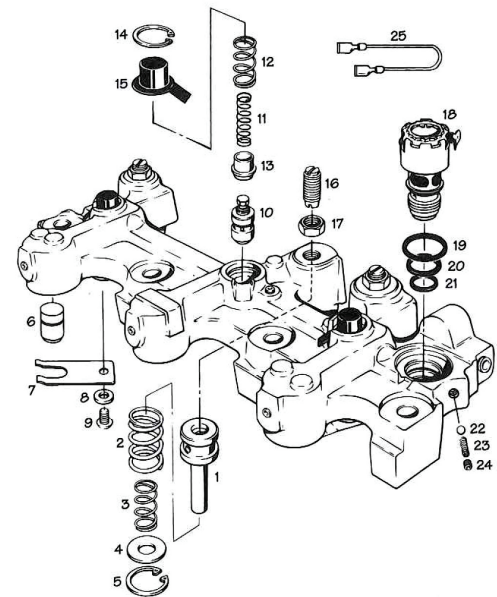
Cummins 91 L10 & 92 L10 Engines



MODEL 404D HOUSING ASSEMBLY

Engine Brake Model	Cummins P/N	Jacobs P/N	Description
404D	3073771	017421	Front Housing Assembly, 12VDC, S/L
404D	3073772	017423	Rear Housing Assembly, 12VDC, S/L
404D	3871519	017425	Front Housing Assembly, 24 VDC, S/L
404D	3871520	017427	Rear Housing Assembly, 24VDC, S/L
404D	3871521	017429	Front Housing Assembly, 24 VDC, D/L
404D	3871522	017431	Rear Housing Assembly, 24VDC, D/L

Illus No.	Cummins P/N	Jacobs P/N	Part Name	Quantity per kit
1	3871353	016774	Slave Piston	3
2	3871477	009433	Outer Slave Piston Spring	3
3	3871352	009432	Inner Slave Piston Spring 3	
4	3871410	013500	Spring Retainer	3
5	3871373	011284	Retaining Ring	3
6	3871515	017396	Miston Piston, 11/16" dia.	3
7	3871478	016810	Flat Spring	3
8	3871384	011545	Plain Washer	3
9	3871383	011544	Button Head Screw	3
10	3871372	039025	Control Valve	3
11	3871345	007500	Control Valve Spring (orange)	3
12	3871366	011253	Outer Control Valve Spring	3
13	3871364	011251	Control Valve Collar	3
14	3871373	011284	Retaining Ring	3
15	3871365	011252	Control Valve Cover	3
16	3871484	016914	Reset Screw Assembly	3
17	3871379	011395	Hex Jam Nut	3
18	3871707	1024613	Solenoid Valve, 12VDC S/L	1
18	3871708	1024616	Solenoid Valve, 24VDC S/L	1
18	3871709	1024617	Solenoid Valve, 24VDC D/L	1
19	3871638	020229	Upper Seal Ring	1
20	4026837	001082	Central Seal Ring	1
21	3871218	001083	Lower Seal Ring	1
22	3871204	001021	Ball	1
23	3871388	011720	Ball Check spring	1
24	3871558	028317	Pipe Plug	20*
25	3871634	021296	Solenoid Harness (2 for 2 lead)	1



The exploded view shown is of the front housing. The rear housing is a mirror image of the front housing and contains the same components.

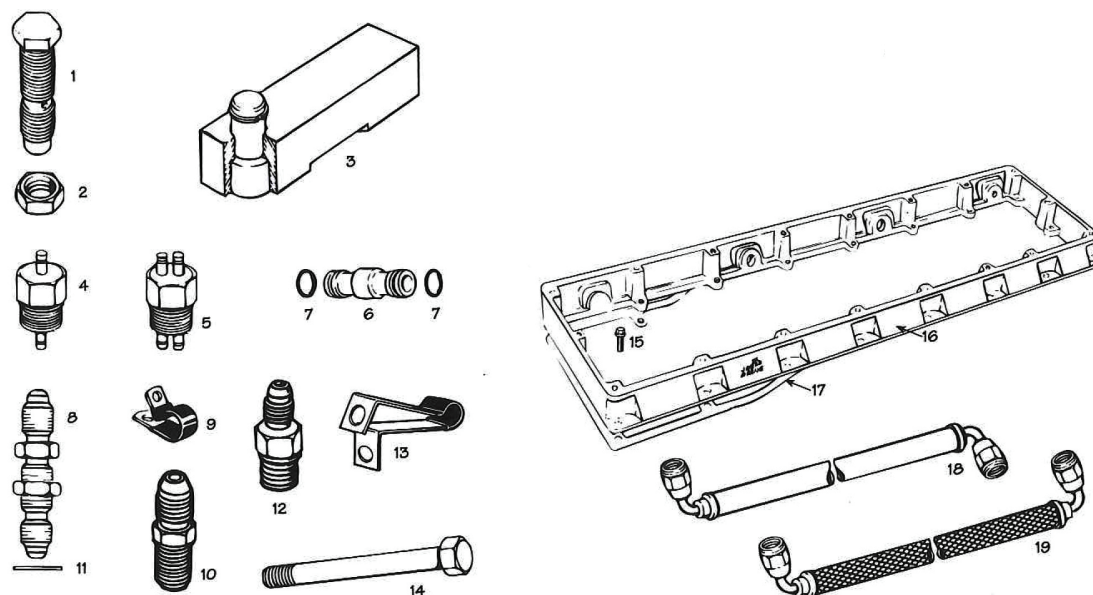
*19 in Rear Housing

ATTACHING PARTS

Illus No.	Cummins P/N	Jacobs P/N	Part Name	Quantity per kit
		017490	Engine Attg. Parts Group, S/L	
		017675	Engine Attg. Parts Group, D/L	
1	3072887	018929	Rocker Adjusting Screw	6
2	3871665	017134	Hex Jam Nut	6
3	3073952	017302	Crosshead Assembly	6
4	3073972	017366	Electrical Connector	2
5	3073974	017367	Electrical Connector (dual lead)	2
6	3073975	017352	Oil Supply Tube Assembly*	1
7	3871404	013155	"O" Ring	2
8	3073976	017186	Bulkhead Adapter	1
9	3871666	020909	Clamp	2
10	3871560	018685	Adapter (straight)	1
11	3073977	017184	Compression Seal	1
12	3871667	018931	"O" Ring Adapter	1
13	-----**	024969	Clamp	1
	3871602	016989	Housing Attaching Parts Group	
14	3893940	018511	Hex Head Bolt	8
	3871485	016927	Spacer Attaching Parts Group	
15	3900631	019346	Capscrew	18
16	3084583	019064	Spacer (die cast)	1
17	3871472	016723	Gasket	1
18	3895297	018686	Internal Oil Supply Hose Assy	1
19	3899642	020833	External Oil Supply Hose Assy	1

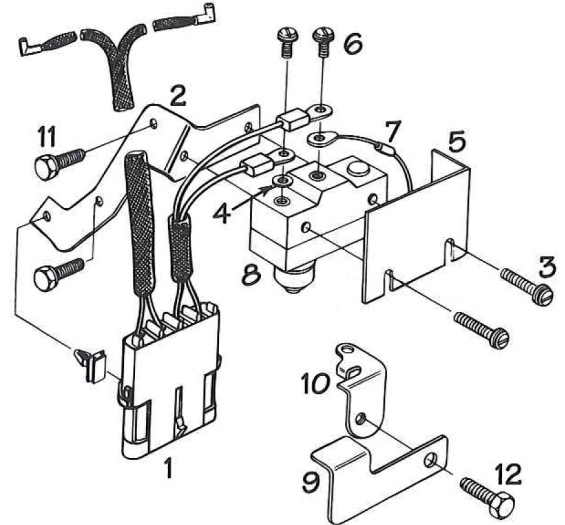
* Tube assembly, P/N 017352, includes "O" rings, P/N 013155

** Part not available for sale



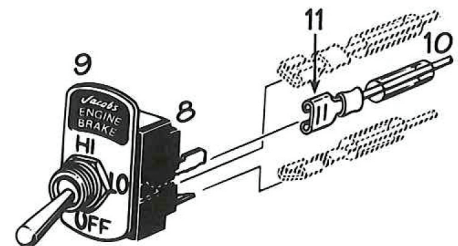
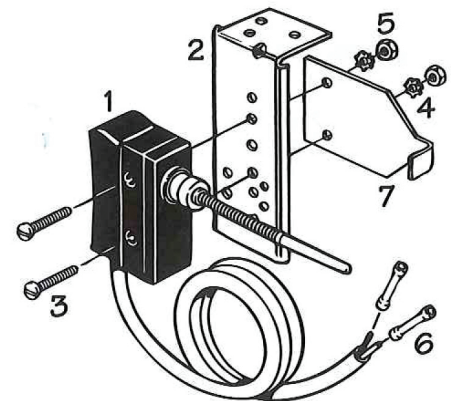
CONTROL GROUPS

Illus No.	Cummins P/N	Jacobs P/N	Part Name	Quantity Per Kit
	3871525	017491	Engine Ctrl Group S/L	
	3871531	017660	Engine Ctrl Group D/L	
1	3871686	017364	Wire Harness	1
8	3871549	018188	Switch	1
9	3871502	017247	Lever	1
10	3871503	017248	Clamp	1
11	3871528	017573	Screw/Washer Assy	2
12	3871248	001492	Capscrew	1
NI	3871532	017661	Dual Lead Ground Wire	2
NI		017662	Instruction Sheet	
	3871529	017574	Switch Assembly	1
2	3871527	017571	Switch Bracket	1
3	3871494	017152	Screw, #6 - 32, 1-1/8" long	2
4	3871258	001559	Lockwasher	1
5	3871495	017153	Switch Cover	1
6	3871257	001558	Screw, #6 - 32, 1/4" long	2
7	3871253	001534	Diode Assembly	1



CAB CONTROL GROUPS P/N 017492 (STC)

	3871397	012261	Clutch Switch Group	1
1	3871395	012246	Clutch Switch	1
2	3871399	012269	Switch Mounting Brckt	1
3	3871333	005377	Pan Head Screw	2
4	3871334	005378	Lockwasher	2
5	3871287	003306	Hex Nut	2
6	3871402	013078	Butt Splice	2
	3871387	003776	Dash Switch Group	1
8	3871303	003586	Toggle Switch	1
9	3871318	003777	Dashplate	1
7	3871398	012262	Overtravel Bracket*	1
10	3871311	003707	Shrink Tube	3
11	3871285	003278	Receptacle	3
NI	3871687	017504	Cab to engine harness	1
NI	3871339	006833	Cable Tie	6
NI		017572	Wiring Diagram	1
NI		013674	Instruction sheet	1



* Optional item not included in group

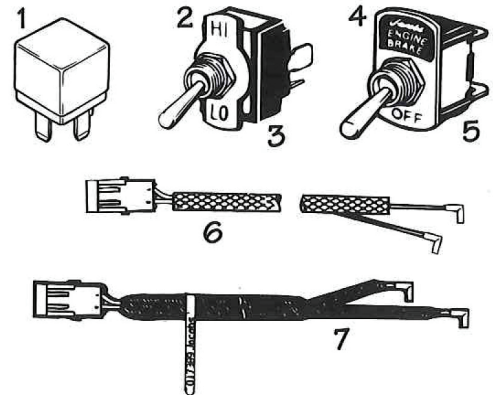
NI = Not Illustrated

CONTROL GROUPS (continued)

P/N 3883216 (Cummins) / 017002 (Jacobs) CELECT, 12V
 P/N 3871695 (Cummins) / 018610 (Jacobs) CELECT, 24V Dual Lead

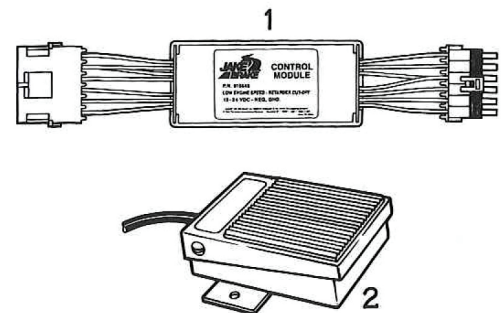
CAB CONTROL GROUPS

Illus No.	Cummins P/N	Jacobs P/N	Part Name	Quantity per kit
1	3871486	016933	Relay Switch, 12V	1
1	3871693	018352	Relay Switch, 24V	1
2	3871500	017194	Plate, HI/LO	1
3	3871500	017194	Switch, HI/LO	1
4	3871501	017195	Dash Plate, ON/OFF	1
5	3871501	017195	Toggle Switch, ON/OFF	1
6	3871689	017593	Relay Base	1
NI	3871339	006833	Cable Tie	4
NI	3871696	019572	Wire Harness Ground	1
7	3892598	017389	Engine Control Harness (CELECT)	1



CONTROL SYSTEM OPTIONS (STC ONLY)

	3871448	015644	Low engine speed retarder cut-off group	
1	3871449	015645	Control Module	1
NI	3871457	016175	Wire Harness	1
NI	3871458	016177	Wire Harness	1
2	3871396	012260	Foot Switch Group	



SERVICE PARTS

Illus No.	Cummins P/N	Jacobs P/N	Part Name
1	3871428	014341	Feeler Gage, 0.015" (0.38 mm)
2	3871654	018238	Slave Piston Removal Tool
3	3871505	017260	Short Slave Piston
NI	3871580	019848	Tune-up Kit

