

FOR WORKHEAD DETAILS
SEE FIGURE 2

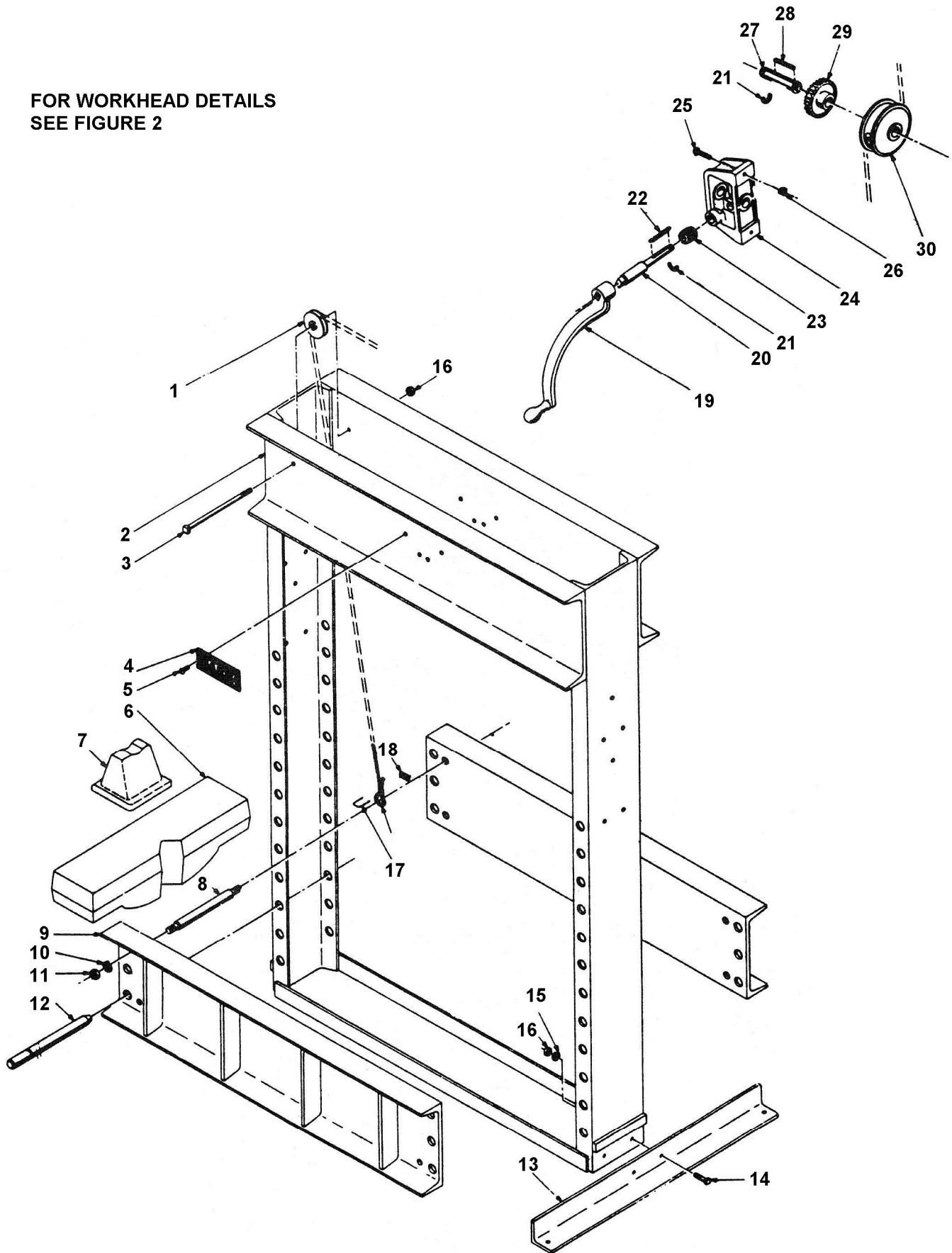


FIGURE 1

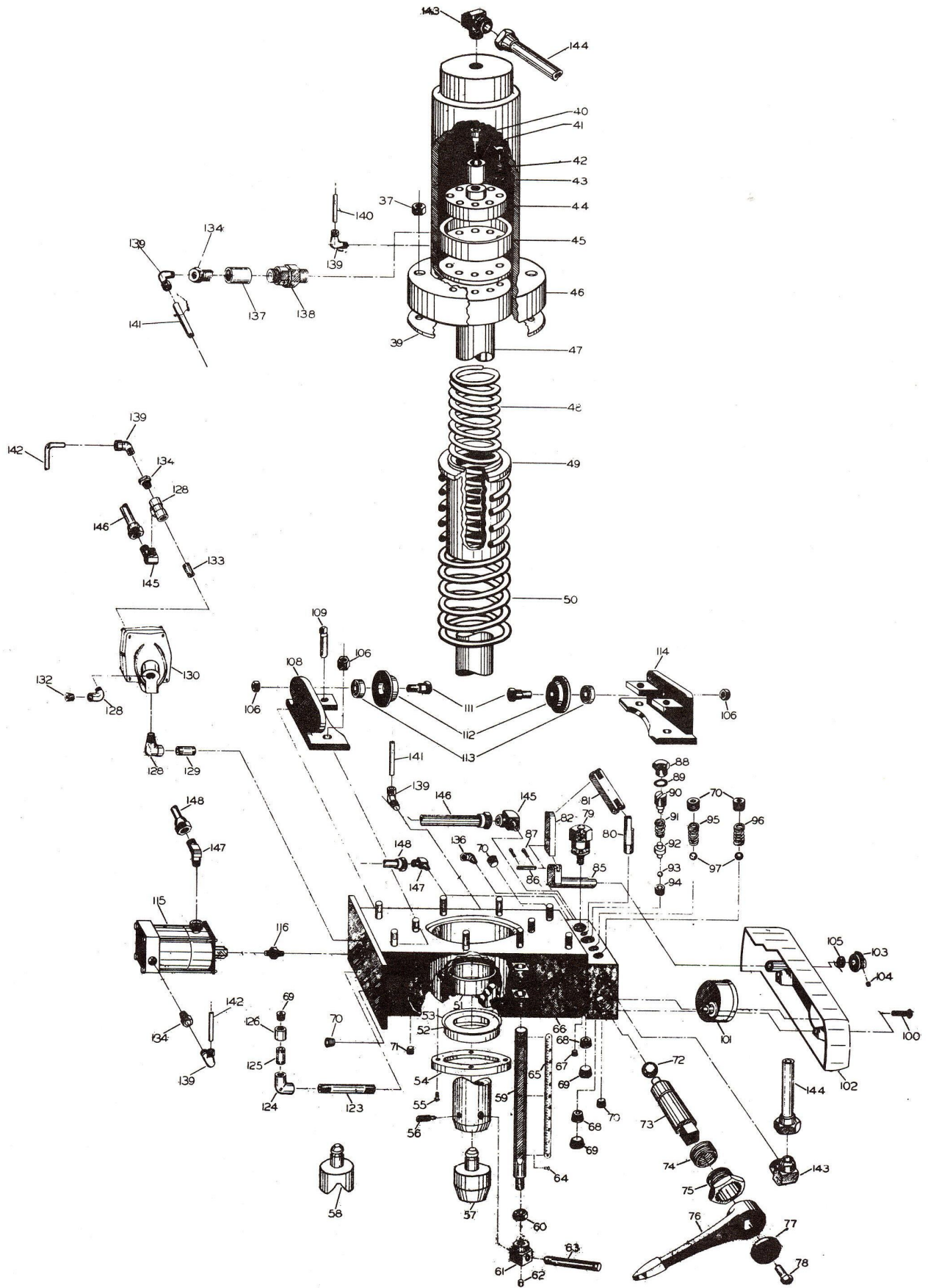
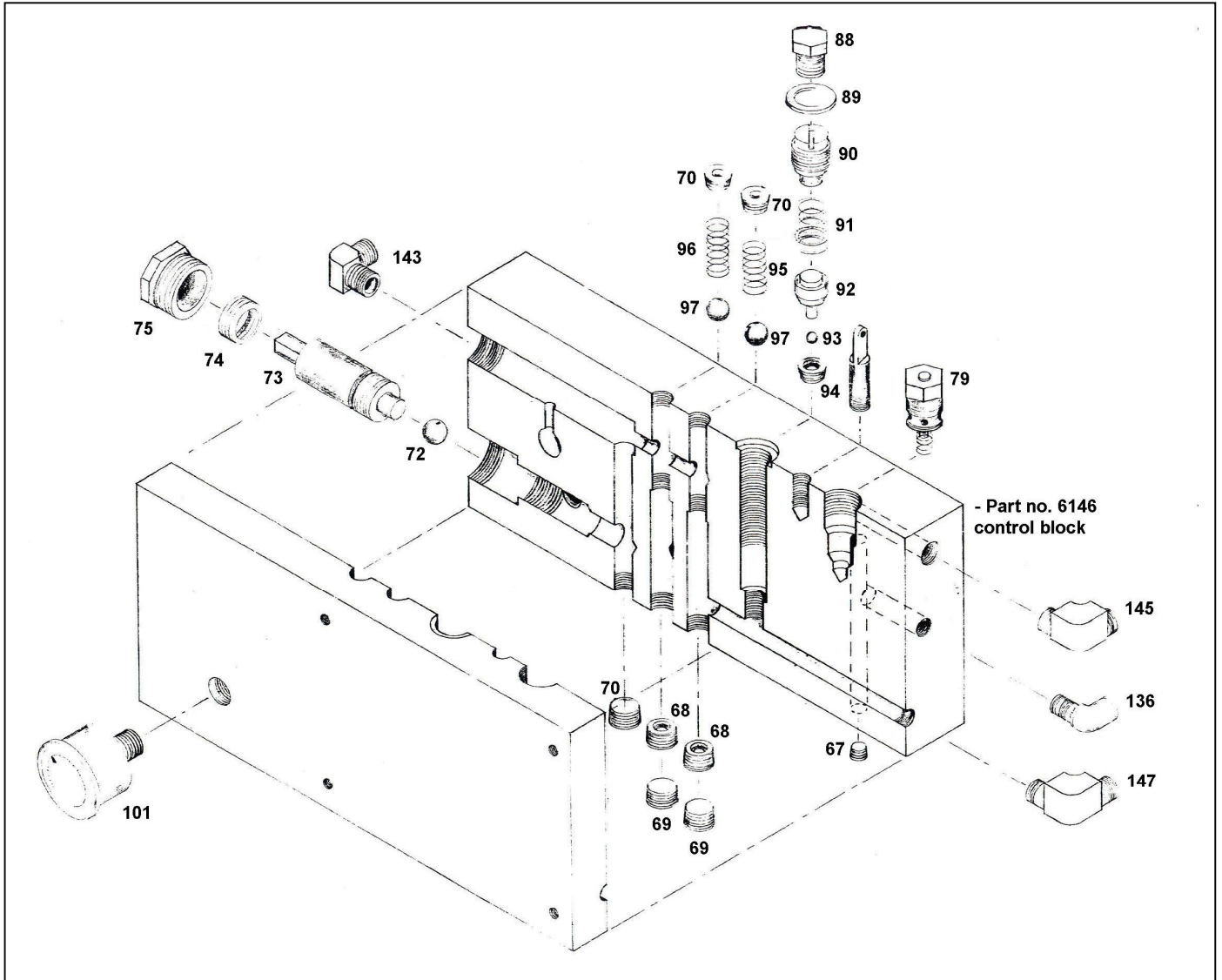


FIGURE 2

Model 6-225, 6-425, 6-250, 6-450,
6-275, 6-475, 6-650, & 6-850

Control Block Exploded View



724 Robbins Road
Grand Haven, MI 49417
Phone: 616-842-7110 800-937-3253
Fax: 616-842-0859 800-846-3253
Web: www.dakecorp.com
E-mail: customerservice@dakecorp.com
technicalservice@dakecorp.com

Figure 1

Item	Part Name	Model 6-225 6-425	Model 6-250 6-450	Model 6-275 6-475	Model 6-650 6-850	Qty
1	Pulley	602-25H	602	727	1563	2
2	Frame	700134	700116	706943	701030	1
3	Hex head cap screw	43341	43342	43361	43720	2
4	Name plate	81002	81002	81002	81003	1
5	6-32 x 1/2" Self tapping screw	43876	43876	43876	43876	4
6	Table plate	966	545	702	1534	2
7	V-block	-	336	336	1576	2
8	Table spacer assembly	716691	716692	716788	1553	4
9	Table channel	701020	701091	706945	701032	2
10	Lockwasher	43647	43647	43648	43649	8
11	Hex nut	43916	43916	43917	43919	8
12	Table pins	981	569	-	-	4
	Table pins	-	-	569	7205	6
	Safety clips				302816	6
13	Base angle	978	566	566	1551	2
14	Hex cap screw	43349	43349	43349	43365	4
15	Lockwasher	43647	43647	43647	43648	4
16	Square nut	43916	43916	43916	43917	4
17	Cable	988	580	726	1562	1
18	Cable clamp	991	991	991	583	4
19	Hoist crank assembly	701653	701653	701653	701653	1
20	Worm shaft	7530	7530	7530	742	1
21A	Retaining ring	43978	43978	43978	43982	2
21B	Retaining ring	27437	27437	27437	43983	2
22	Worm key	386	386	386	746	1
23	Worm	385	385	385	744	1
24	Hoist frame	725	725	725	739	1
25	Hex cap screw	43335	43335	43335	43353	2
26	Hex nut	43912	43912	43912	43916	2
27	Drum shaft	724	724	724	741	1
28	Drum key	737	737	737	745	1
29	Worm gear	736	736	736	743	1
30	Cable drum	723	723	723	740	1
Complete Table Hoist Assembly (Items 20, 21A, 21B, 22, 23, 24, 27, 28, 29,30)		701677-S	701677-S	701677-S	700111-S	1

Figure 2

37	1/2" Hex Nut	43916	43916	43916	43916	6
39	Cylinder Gasket	9776	9777	9777	9778	1
40	1/2"-13 x 1-1/2" Soc. Hd. Cap Screw (Serial No. < 192522)	--	43471	43471	--	1
41	Piston Bumper (Serial No. < 192522)	--	2221	2221	--	1
42	1/4"-20x1" HHCS (Serial No. < 192522)	43305	--	--	--	4
	3/8"-16x1-1/4" HHCS (Serial No. < 192522)	--	43330	--	--	6
	3/8"-16x1-3/4" HHCS (Serial No. < 192522)	--	--	43332	43332	8
43	1/4" Lockwasher (Serial No. < 192522)	43643	--	--	--	4
	3/8" Lockwasher (Serial No. < 192522)	--	43645	43645	43645	6-8
44	Supporting Ring (Serial No. < 192522)	967	4110	2222	1536	1
45	Leather Cup (Serial No. < 192522)	969	557	706	1538	1
	T-ring Seal (Serial No. > 192523)	17976	17878	17942	37052	1
46	Cylinder	7361	4101	2213	4197	1
47	Piston Assembly (Serial No. < 192522)	701401	701402	701403	701404	1
	Piston Assembly (Serial No. > 192523)	716225	716226	716227	716228	1
48	Ram Spring (Small)	5722	4107	2231	4196	1
49	Spring Spacer	5725	4108	2233	4201	1

Item	Part Name	Model 6-225 6-425	Model 6-250 6-450	Model 6-275 6-475	Model 6-650 6-850	Qty
50	Ram Spring (Large)	5721	4106	2232	4195	1
51	Piston Bushing (Serial No. < 192522)	5731	4111	2229	1158	1
	Wear Ring (Serial No. > 192522)	76805	76806	76807	37045	
52	Oil Seal	6019	6020	6021	1477	1
53	Oil Seal Gasket	6516	6517	6518	6519	1
54	Retaining Plate	7359	6513	6514	6474	1
55	No. 10-24 x 1/2" Rd. Hd. Screw	43881	43881	43881	43881	4-6
56	5/16" Set Screw	43575	43575	43575	43575	1
57	Nose Piece Assembly	701706	701707	701708	701709	1
58	V-Nose Assembly	701710	701711	701712	701713	1
59	Stroke Indicator Rod	2260	2260	2260	4264	1
60	1/2"-13 Hex Jam Nut	43940	43940	43940	43940	1
61	Special Nut	2259	2259	2259	2259	1
62	1/4"-20 x 1/4" Soc. Hd. Set Screw	43558	43558	43558	43558	1
63	Support Stud	2258	2258	2258	4266	1
64	No. 2 x 3/16" Drive Screw	43616	43616	43616	43616	3
65	Scale	2261	2261	2261	4265	1
66	Reservoir Assembly	715266	716784	716784	715269	1
67	1/8" N.P.T.F. Soc. Hd. Pipe Plug	589	589	589	589	2
68	Check Valve Seat	1300	1300	1300	1300	2
69	1/2" N.P.T.F. Soc Hd. Pipe Plug	596	596	596	596	3
70	3/8" N.P.T.F. Soc Hd. Pipe Plug	588	588	588	588	5
71	1/4" N.P.T.F. Soc. Hd. Pipe Plug	1567	1567	1567	1567	1
72	Ball Valve 3/4" Dia.	1936	1936	1936	1936	1
73	Release Valve Rod	2257	2257	2257	2257	1
74	Valve Rod Packing	1937	1937	1937	1937	7
75	Packing Nut	1931	1931	1931	1931	1
76	Valve Handle	2230A	2230A	2230A	2230A	1
77	Handle Washer	348	348	348	348	1
78	3/8"-16 x 3/4" Hex Cap Screw	43326	43326	43326	43326	1
79	Plunger Unit	6151	6151	6151	6151	1
80	Pivot Pin	6152	6152	6152	6152	1
81	Air Control Arm	6153	6153	6153	6153	1
82	Air Control Link	6154	6154	6154	6154	1
85	Air Control Shaft	6156	6156	6156	6156	1
86	Pin	5772	5772	5772	5772	3
87	1/16" x 1/2" Cotter Pin	44049	44049	44049	44049	6
88	Valve Cap Nut	2236	2236	2236	2236	1
89	O-ring	3965	3965	3965	3965	1
90	Relief Valve Adj. Screw	2237	2237	2237	2237	1
91	Relief Valve Spring	893	893	893	893	1
92	Ball Retainer	892	892	892	892	1
93	Ball Valve 1/4" Dia.	918	918	918	918	1
94	Relief Valve Seat	891	891	891	891	1
95	Check Valve Spring	579	579	579	579	1
96	Check Valve Spring	890	890	890	890	1
97	Ball Valve 1/2" Dia.	586	586	586	586	2
100	No. 10-24 x 2-3/4" Machine Screw	300248	300248	300248	300248	4
101	Gauge	71270	71271	71272	71273	1
102	Control Panel	80743	80743	80743	80743	1

103	Control Knob	2250A	2250A	2250A	2250A	1
Item	Part Name	Model 6-225 6-425	Model 6-250 6-450	Model 6-275 6-475	Model 6-650 6-850	Qty
104	¼"-20 x ½" Soc. Hd. Set Screw	43562	43562	43562	43562	1
105	½" Washer	43634	43634	43634	43634	1
106	5/8"-11 Hex Nut	43917	43917	43917	43917	7
108	Rear Roller Bracket	9472	9472	9472	4204	1
109	¾"-10 x 3" Set Screw	43616	43616	43616	43616	3
112	Flanged Roller	2244	2244	2244	2244	3
113	Bearing	6023	6023	6023	6023	3
114	Front Roller Bracket	9473	9473	9473	4205	1
115	Pump – Haskel Air	63453	63453	63453	63453	1
116	3/8" Pipe Nipple	58226	58226	58226	58226	1
123	¾" x 4" Pipe Nipple	1818	1818	1818	1818	1
124	¾" 90° Pipe Elbow	74017	74017	74017	74017	1
125	¾" x 2" Pipe Nipple	58227	58227	58227	58227	1
126	¾" Pipe Coupling	1744	1744	1744	1744	1
128	3/8" Street Elbow	1264	1264	1264	1264	2
129	3/8" Pipe Nipple	58226	58226	58226	58226	1
130	Quick Exhaust	1911	1911	1911	1911	1
132	Restrictor	7368	7368	7368	7368	1
133	3/8" Pipe Nipple	58226	58226	58226	58226	1
134	¼" - 1/8" Bushing	1100	1100	1100	1102	3
136	¼" 90° Street Elbow	1110	1110	1110	1110	1
137	¼" Pipe Coupling	1330	1330	1330	1330	1
138	Check Valve	1841	1841	1841	1841	1
139	Tube Fitting	19576	19576	19576	19576	5
140	Air Vent	632	632	632	632	1
141	Tube	7680	7681	7682	7683	1
142	Tube	7684	7684	7684	7685	1
143	Tube Elbow	1944	1944	1944	1944	2
144	Tube Assembly	701719	701720	701721	701722	1
145	Tube Elbow	1252	1252	1252	1252	2
146	Tube Assembly	701723	701723	701723	701724	1
147	Tube Elbow	1248	1248	1248	1248	2
148	Tube Assembly	701725	701725	701725	701726	1
Cylinder Repair Kit (Items: 39, 45, 52, 53, 72, 74, 89, 93, 97)		713053	713054	713055	713056	1
Haskel Pump Repair Kit		713034	713034	713034	713034	1-2

ADDED PARTS USED WITH DOUBLE PUMP PRESSES NOT ILLUSTRATED

115	Pump	63453	63453	63453	63453	1
139	Tube Fitting	597	597	597	597	5
149	Tube Tee	1249	1249	1249	1249	1
150	Tube Tee	7693	7693	7693	7693	1
151	Tube Assembly	701727	701727	701727	701728	1
152	Straight Fitting	1251	1251	1251	1251	1
153	Tube Assembly	701729	701729	701729	701729	1
154	Straight Fitting	1247	1247	1247	1247	1
155	Tube Assembly	701730	701730	701730	701731	1