

For Commercial Applications

Job Name _____ Item Designation _____

Job Location _____ Contractor _____

Engineer _____ Representative _____

Wall Thickness: _____ Inlet: P__ C__ (P1__ EP__ *MADE TO ORDER, NO RETURN*) Finish: CH__ BR__ PB__

Woodford Model 65

Anti-Siphon Protected Automatic Draining Freezeless Wall Hydrant

The Model 65 is an automatic draining, freezeless wall hydrant with hose connection Anti-Siphon Vacuum Breaker. The hydrant drains as handle is shut off, *even if hose is attached*. The Model 65 is designed to blend in with modern architecture for installation on restaurants, schools, office buildings, churches, apartments, motels, stores, shopping centers and industrial buildings.

Sizes: 4" - 24" (in 2" increments)
CC (Close Coupled) for non-freezing climates

Features:

- Drain port under nozzle diverts water away from building
- Red Brass head & valve body
- 3/8" solid brass operating rod
- Copper casing tubes
- Hardened stainless steel operating stem
- One piece valve plunger
- 4 inlet options
- Loose tee key operation
- No Lead Solder - All joints
- Supplied with adjustable wall clamp

Specifications:

• Hydrant plus vacuum breaker is ASSE Standard 1019-B approved.

• HOSE CONNECTION VACUUM BREAKER:

- NIDEL® Model 34HA with 3/4 inch male hose thread
- ASSE Standard 1011 approved
- IAPMO® listed
- Meets Government Specification WW-P-54 1b
- Single check valve

• **Maximum Working Pressure:** 125 p.s.i.

• **Maximum Temperature:** 120° F

Specify as follows:

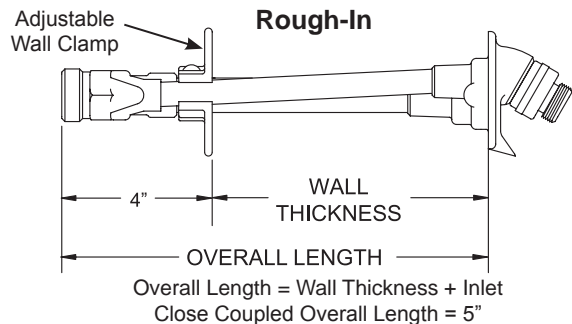
Wall hydrant shall be Woodford Model 65, automatic draining with anti-siphon vacuum breaker. ASSE Standard 1019-B approved. 3/4" inlet and outlet (specify type of inlet). Hardened stainless steel operating stem and one-piece valve plunger to control both flow and drain functions. Exterior finish to be Chrome Plated (options: Polished Brass or Rough Brass). Loose tee key to be furnished with each hydrant. Wall thickness to be _____ inches.



Exterior Finish:

Standard - Chrome (CH)

Optional - Brass (BR) Polished Brass (PB)
Fits one standard modular brick course.



Inlet Options

- P - 3/4" Female Pipe Thread
- P1 - 1" Male Pipe Thread
- C - 3/4" Copper Water Tube
- EP - Union Elbow with 3/4" Male Pipe Thread



WOODFORD MANUFACTURING COMPANY, LLC.

2121 WAYNOKA ROAD

COLORADO SPRINGS, CO 80915

Phone (800) 621-6032 Fax (800) 765-4115 Website:

www.woodfordmfg.com

Email: sales@woodfordmfg.com

For Commercial Applications

Job Name _____ Item Designation _____

Job Location _____ Contractor _____

Engineer _____ Representative _____

Wall Thickness: _____ Inlet: P__ C__ (P1__ EP__ *MADE TO ORDER, NO RETURN*) Finish: CH__ BR__ PB__

Woodford Model 67

Backflow Protected Automatic Draining Freezeless Wall Hydrant

The Model 67 is an automatic draining, freezeless wall hydrant with hose connection Backflow Protection. The hydrant drains as handle is shut off, *even if hose is attached*. The Model 67 is intended for irrigation purposes and is designed to blend in with modern architecture for installation on restaurants, schools, office buildings, churches, apartments, motels, stores, shopping centers and industrial buildings.


Sizes: 4" - 24" (in 2" increments)
CC (Close Coupled) for non-freezing climates

Features:

- Drain port under nozzle diverts water away from building
- Red Brass head & valve body
- 3/8" solid brass operating rod
- Copper casing tubes
- Hardened stainless steel operating stem
- One piece valve plunger
- 4 inlet options
- Loose tee key operation
- No Lead Solder - All joints
- Supplied with adjustable wall clamp

Specifications:

PATENTED HIGH FLOW DOUBLE CHECK BACKFLOW PREVENTER

- NIDEL® Model 50HA with 3/4 inch male hose thread
- ASSE Standard 1052 approved 
- Field Testable
- Two Independent Check Valves
- Drains automatically when hose is removed
- No spray back

- **Maximum Working Pressure:** 125 p.s.i.
- **Maximum Temperature:** 120° F

Specify as follows:

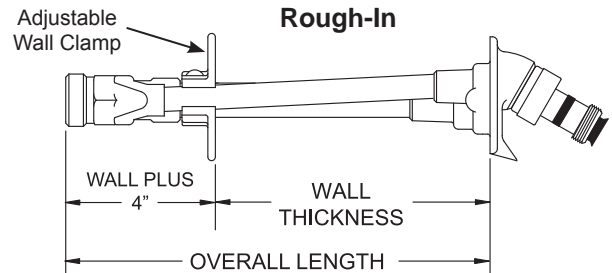
Wall hydrant shall be Woodford Model 67, automatic draining with ASSE 1052 approved NIDEL® Model 50HA high flow double check backflow preventer. 3/4" inlet and outlet (specify type of inlet). Hardened stainless steel operating stem and one-piece valve plunger to control both flow and drain functions. Exterior finish to be Chrome Plated (options: Polished Brass or Rough Brass). Loose tee key to be furnished with each hydrant. Intended for irrigation purposes. Wall thickness to be _____ inches.



Exterior Finish:

Standard - Chrome (CH)

Optional - Brass (BR) Polished Brass (PB)
Fits one standard modular brick course.



Overall Length = Wall Thickness + Inlet
Close Coupled Overall Length = 5"

Inlet Options

- P - 3/4" Female Pipe Thread
- P1 - 1" Male Pipe Thread
- C - 3/4" Copper Water Tube
- EP - Union Elbow with 3/4" Male Pipe Thread



WOODFORD MANUFACTURING COMPANY, LLC.

2121 WAYNOKA ROAD

COLORADO SPRINGS, CO 80915

Phone (800) 621-6032 Fax (800) 765-4115 Website:

www.woodfordmfg.com

Email: sales@woodfordmfg.com

For Commercial Applications

Job Name _____ Item Designation _____
 Job Location _____ Contractor _____
 Engineer _____ Representative _____
 Wall Thickness: _____ Inlet: P__ C__ (P1__ EP__ **MADE TO ORDER, NO RETURN**) Finish: CH__ BR__ PB__ AL__

Woodford

Model B65 Box Type Anti-Siphon Protected Freezeless Wall Hydrant

The Model B65 is an automatic draining, freezeless wall hydrant with hose connection Anti-Siphon Vacuum Breaker and housed in a tamper resistant brass box. The hydrant drains as handle is shut off, *even if hose is attached*. The Model B65 is designed to blend in with modern architecture for installation on restaurants, schools, office buildings, churches, apartments, motels, stores, shopping centers and industrial buildings.

Sizes: 4" - 24" (in 2" increments)
 CC (Close Coupled) for non-freezing climates

Features:

- Red Brass head, box and door
 - Optional: Flat Door (F) brass or chrome only
 - Optional: Anodized Aluminum (AL) box and door
- One piece box construction
- 3/8" solid brass operating rod
- Copper casing tubes
- Hardened stainless steel operating stem
- One piece valve plunger
- 4 inlet options
- Loose tee key operation
- No Lead Solder - All joints
- Supplied with adjustable wall clamp

Specifications:

- Hydrant plus vacuum breaker is ASSE Standard 1019-B approved.
- **HOSE CONNECTION VACUUM BREAKER:**
 - NIDEL® Model 34HA with 3/4 inch male hose thread
 - ASSE Standard 1011 approved
 - IAPMO® listed
 - Meets Government Specification WW-P-54 1b
 - Single check valve
- **Maximum Working Pressure:** 125 p.s.i.
- **Maximum Temperature:** 120° F

Specify as follows:

Wall hydrant shall be a box type Woodford Model B65, automatic draining with single check vacuum breaker. ASSE Standard 1019-B approved. 3/4" inlet and outlet (specify type of inlet). Hardened stainless steel operating stem and one-piece valve plunger to control both flow and drain functions. Exterior finish to be Chrome Plated (options: Rough Brass, Polished Brass or Anodized Aluminum). Loose tee key to be furnished with each hydrant. Wall thickness to be _____ inches.



Exterior Finish:

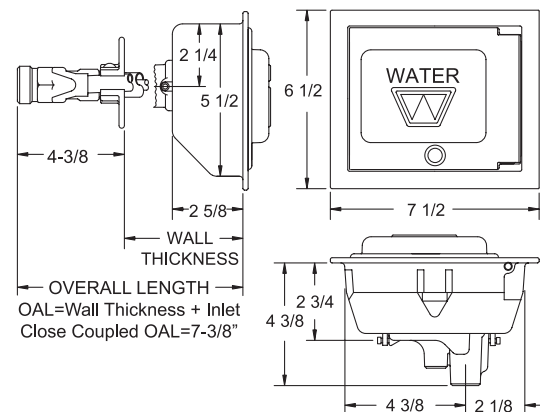
Standard - Chrome (CH)

Optional - Brass (BR) Polished Brass (PB)

Anodized Aluminum (AL)

Fits two standard modular brick course or one course of facing tile.

Rough-In



Inlet Options

P - 3/4" Female Pipe Thread

P1 - 1" Male Pipe Thread

C - 3/4" Copper Water Tube

EP - Union Elbow with 3/4" Male Pipe Thread



WOODFORD MANUFACTURING COMPANY, LLC.

2121 WAYNOKA ROAD

COLORADO SPRINGS, CO 80915

Phone (800) 621-6032 Fax (800) 765-4115 Website:

www.woodfordmfg.com

Email: sales@woodfordmfg.com

For Commercial Applications

Job Name _____ Item Designation _____

Job Location _____ Contractor _____

Engineer _____ Representative _____

Wall Thickness: _____ Inlet: P__ C__ (P1__ EP__ **MADE TO ORDER, NO RETURN**) Finish: CH__ BR__ PB__ AL__

Woodford Model B67 Box Type Backflow Protected Freezeless Wall Hydrant

The Model B67 is an automatic draining, freezeless wall hydrant with hose connection Backflow Protection and housed in a tamper resistant brass box. The hydrant drains as handle is shut off, *even if hose is attached*. The Model B67 is intended for irrigation purposes and is designed to blend in with modern architecture for installation on restaurants, schools, office buildings, churches, apartments, motels, stores, shopping centers and industrial buildings.

Sizes: 4" - 24" (in 2" increments)
CC (Close Coupled) for non-freezing climates

Features:

- Red Brass head, box and door
 - Optional: Anodized Aluminum (AL) box and door
- One piece box construction
- 3/8" solid brass operating rod
- Copper casing tubes
- Hardened stainless steel operating stem
- One piece valve plunger
- 4 inlet options
- Loose tee key operation
- No Lead Solder - All joints
- Supplied with adjustable wall clamp

Specifications:

PATENTED HIGH FLOW DOUBLE CHECK BACKFLOW PREVENTER

- NIDEL® Model 50HA with 3/4 inch male hose thread
- ASSE Standard 1052 approved
- Field Testable
- Two Independent Check Valves
- Drains automatically when hose is removed
- No spray back
- **Maximum Working Pressure:** 125 p.s.i.
- **Maximum Temperature:** 120° F

Specify as follows:

Wall hydrant shall be a box type Woodford Model B67, automatic draining with ASSE 1052 approved NIDEL® Model 50HA high flow double check backflow preventer. 3/4" inlet and outlet (specify type of inlet). Hardened stainless steel operating stem and one-piece valve plunger to control both flow and drain functions. Exterior finish to be Chrome Plated (options: Rough Brass, Polished Brass or Anodized Aluminum). Loose tee key to be furnished with each hydrant. Intended for irrigation purposes. Wall thickness to be _____ inches.



Exterior Finish:

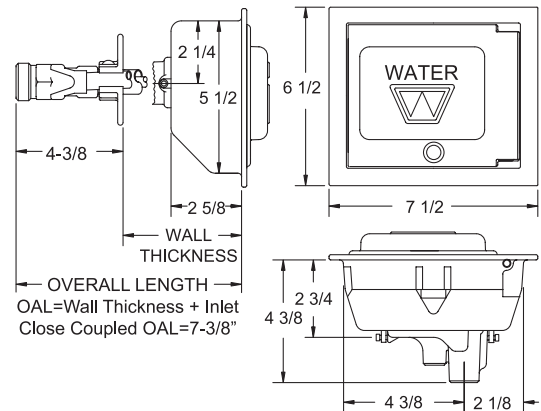
Standard - Chrome (CH)

Optional - Brass (BR) Polished Brass (PB)

Anodized Aluminum (AL)

Fits two standard modular brick course or one course of facing tile.

Rough-In



Inlet Options

P - 3/4" Female Pipe Thread

P1 - 1" Male Pipe Thread

C - 3/4" Copper Water Tube

EP - Union Elbow with 3/4" Male Pipe Thread



WOODFORD MANUFACTURING COMPANY, LLC.

2121 WAYNOKA ROAD

COLORADO SPRINGS, CO 80915

Phone (800) 621-6032 Fax (800) 765-4115 Website:

www.woodfordmfg.com

Email: sales@woodfordmfg.com

For Commercial Applications

Job Name _____ Item Designation _____

Job Location _____ Contractor _____

Engineer _____ Representative _____

Wall Thickness: _____ Inlet: P__ C__ (P1__ EP__ **MADE TO ORDER, NO RETURN**) Finish: (CH Only)

Woodford

Model RB65 Round Box Type

Anti-Siphon Protected Freezeless Wall Hydrant

The Model RB65 is an automatic draining, freezeless wall hydrant with hose connection Anti-Siphon Vacuum Breaker. The hydrant drains as handle is shut off, *even if hose is attached*. Designed especially for tip-up wall construction, the hydrant is housed in a round, tamper resistant silicon bronze box that can be installed through a 6" diameter core drilled hole. The Model RB65 is designed to blend in with modern architecture for installation on restaurants, schools, office buildings, churches, apartments, motels, stores, shopping centers and industrial buildings.

Sizes: 4" - 24" (in 2" increments)
CC (Close Coupled) for non-freezing climates

Features:

- Red Brass head & valve body
- Silicon bronze box & door castings
- Round box installs through a 6" core drilled hole
- One piece box construction
- 3/8" solid brass operating rod
- Copper casing tubes
- Hardened stainless steel operating stem
- One piece valve plunger
- 4 inlet options
- Loose tee key operation
- No Lead Solder - All joints
- Supplied with adjustable wall clamp

Specifications:

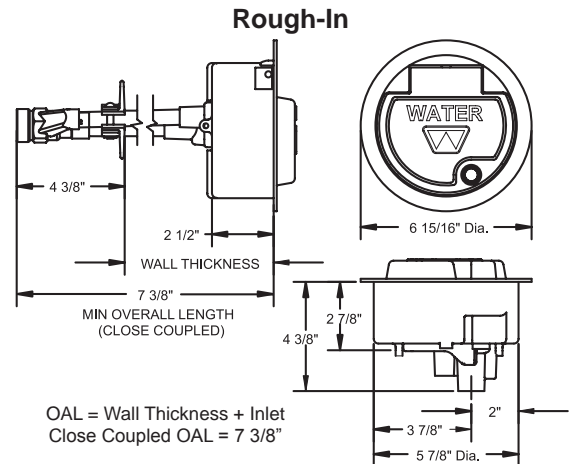
- Hydrant plus vacuum breaker is ASSE Standard 1019-B approved.
- **HOSE CONNECTION VACUUM BREAKER:**
 - NIDEL® Model 34HA with 3/4 inch male hose thread
 - ASSE Standard 1011 approved
 - IAPMO® listed
 - Meets Government Specification WW-P-54 1b
 - Single check valve
- **Maximum Working Pressure:** 125 p.s.i.
- **Maximum Temperature:** 120° F

Specify as follows:

Wall hydrant shall be a round box type Woodford Model RB65, automatic draining with single check vacuum breaker. ASSE Standard 1019-B approved. 3/4" inlet and outlet (specify type of inlet). Hardened stainless steel operating stem and one-piece valve plunger to control both flow and drain functions. Exterior finish to be Chrome Plated. Loose tee key to be furnished with each hydrant. Wall thickness to be _____ inches.



Exterior Finish:
Box & Door - Chrome (CH) Only



Inlet Options

- P - 3/4" Female Pipe Thread
- P1 - 1" Male Pipe Thread
- C - 3/4" Copper Water Tube
- EP - Union Elbow with 3/4" Male Pipe Thread



WOODFORD MANUFACTURING COMPANY, LLC.
2121 WAYNOKA ROAD
COLORADO SPRINGS, CO 80915
Phone (800) 621-6032 Fax (800) 765-4115 Website:
www.woodfordmfg.com
Email: sales@woodfordmfg.com

For Commercial Applications

Job Name _____ Item Designation _____

Job Location _____ Contractor _____

Engineer _____ Representative _____

Wall Thickness: _____ Inlet: P__ C__ (P1__ EP__ **MADE TO ORDER, NO RETURN**) Finish: (CH Only)

Woodford

Model RB67 Round Box Type

Backflow Protected Automatic Draining Freezeless Wall Hydrant

The Model RB67 is an automatic draining, freezeless wall hydrant with hose connection Backflow Protection. The hydrant drains as handle is shut off, *even if hose is attached*. Designed especially for tip-up wall construction, the hydrant is housed in a round, tamper resistant silicon bronze box that can be installed through a 6" diameter core drilled hole. The Model RB67 is intended for irrigation purposes and designed to blend in with modern architecture for installation on restaurants, schools, office buildings, churches, apartments, motels, stores, shopping centers and industrial buildings.

Sizes: 4" - 24" (in 2" increments)
CC (Close Coupled) for non-freezing climates

Features:

- Red Brass head & valve body
- Silicon bronze box & door castings
- Round box installs through a 6" diameter hole
- One piece box construction
- Water is diverted away from operator
- 3/8" solid brass operating rod
- Copper casing tubes
- Hardened stainless steel operating stem
- One piece valve plunger
- 4 inlet options
- Loose tee key operation
- No Lead Solder - All joints
- Supplied with adjustable wall clamp

Specifications:

PATENTED HIGH FLOW DOUBLE CHECK BACKFLOW PREVENTER

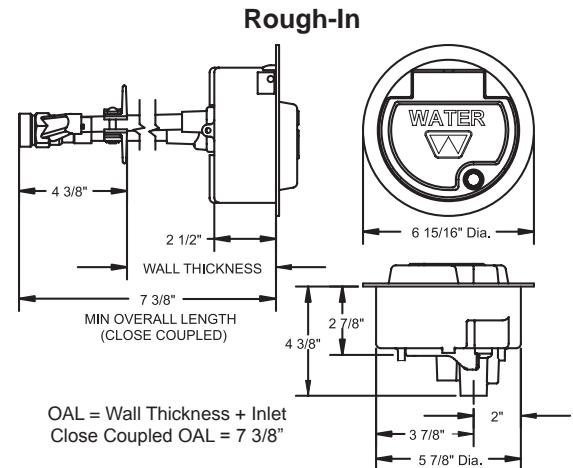
- NIDEL® Model 50HA with 3/4 inch male hose thread
- ASSE Standard 1052 approved
- Field Testable
- Two Independent Check Valves
- Drains automatically when hose is removed
- No spray back
- **Maximum Working Pressure:** 125 p.s.i.
- **Maximum Temperature:** 120° F

Specify as follows:

Wall hydrant shall be a round box type Woodford Model RB67, automatic draining with ASSE 1052 approved NIDEL® Model 50HA high flow double check backflow preventer. 3/4" inlet and outlet (specify type of inlet). Hardened stainless steel operating stem and one-piece valve plunger to control both flow and drain functions. Exterior finish to be Chrome Plated. Loose tee key to be furnished with each hydrant. Intended for irrigation purposes. Wall thickness to be _____ inches.



Exterior Finish:
Box & Door - Chrome (CH) Only



Inlet Options

- P - 3/4" Female Pipe Thread
- P1 - 1" Male Pipe Thread
- C - 3/4" Copper Water Tube
- EP - Union Elbow with 3/4" Male Pipe Thread



WOODFORD MANUFACTURING COMPANY, LLC.
2121 WAYNOKA ROAD
COLORADO SPRINGS, CO 80915
Phone (800) 621-6032 Fax (800) 765-4115 Website:
www.woodfordmfg.com
Email: sales@woodfordmfg.com

For Commercial Applications

Job Name _____ Item Designation _____

Job Location _____ Contractor _____

Engineer _____ Representative _____

Wall Thickness: _____ Finish: CH ___ BR ___

Woodford

Model HC67

Backflow Protected Hot & Cold Mixer Automatic Draining Freezeless Wall Hydrant



Exterior Finish:
Standard - Chrome (CH)
Optional - Brass (BR)

The Model HC67 is an automatic draining, freezeless Hot & Cold wall hydrant with hose connection Backflow Protection. The hydrant drains as handle is shut off, *even if hose is attached*. The Model HC67 is intended for irrigation purposes and is designed for commercial use where outside hot and cold water service is required.

Sizes: 4" - 24" (in 2" increments)
CC (Close Coupled) for non-freezing climates

Features:

- Red Brass head, valve body & mixer control
- 3/4" female pipe thread inlets
- Inlet check valves prevent hot & cold migration
- Drain port under nozzle diverts water away from building
- 3/8" solid brass operating rod
- Copper casing tubes
- Hardened stainless steel operating stem
- One piece valve plunger
- Loose tee key operation
- No Lead Solder - All joints
- Adjustable wall clamp

Specifications:

PATENTED HIGH FLOW DOUBLE CHECK BACKFLOW PREVENTER

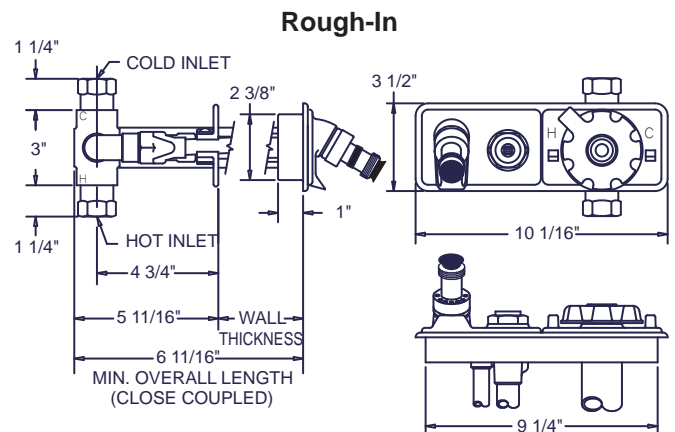
- NIDEL® Model 50HA with 3/4 inch male hose thread
- ASSE Standard 1052 approved
- Field Testable
- Two Independent Check Valves
- Drains automatically when hose is removed
- No spray back

- **Maximum Working Pressure:** 125 p.s.i.
- **Maximum Temperature:** 120° F

Specify as follows:

Wall hydrant shall be a Woodford Model HC67, Hot and Cold, automatic draining with ASSE 1052 approved NIDEL® Model 50HA high flow double check backflow preventer. 3/4" inlets and outlet. Hardened stainless steel operating stem and one-piece valve plunger to control both flow and drain functions. Exterior finish to be Chrome Plated (optional: Rough Brass). Loose tee key to be furnished with each hydrant. Intended for irrigation purposes. Wall thickness to be _____ inches.

©2012 WOODFORD Mfg.



WOODFORD MANUFACTURING COMPANY, LLC.
2121 WAYNOKA ROAD
COLORADO SPRINGS, CO 80915
Phone (800) 621-6032 Fax (800) 765-4115 Website:
www.woodfordmfg.com
Email: sales@woodfordmfg.com

For Commercial Applications

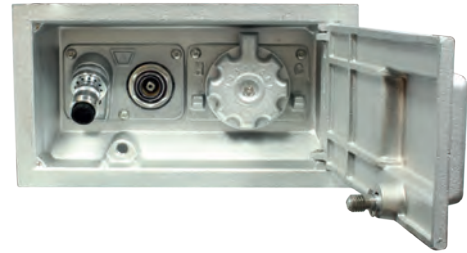
Job Name _____
 Job Location _____
 Engineer _____
 Wall Thickness: _____

Item Designation _____
 Contractor _____
 Representative _____
 Box Finish Only: CH ___ BR ___ PB ___

Woodford

Model HCB67^{Box Type}

Backflow Protected Hot & Cold Mixer Automatic Draining Freezeless Wall Hydrant



Exterior Finish:
 Standard - Chrome (CH)
 Optional - Brass (BR) Polished Brass (PB)

The Model HCB67 is an automatic draining, freezeless Hot & Cold wall hydrant with hose connection Backflow Protection and housed in a tamper resistant brass box. The hydrant drains as handle is shut off, *even if hose is attached*. The Model HC67 is intended for irrigation purposes and is designed for commercial use where outside hot and cold water service is required.

Sizes: 4" - 24" (in 2" increments)
 CC (Close Coupled) for non-freezing climates

Features:

- Red Brass head, valve body, mixer control, box and door
- One piece box construction
- 3/4" female pipe thread inlets
- Inlet check valves prevent hot & cold migration
- 3/8" solid brass operating rod
- Copper casing tubes
- Hardened stainless steel operating stem
- One piece valve plunger
- Loose tee key operation
- No Lead Solder - All joints
- Adjustable wall clamp

Specifications:

PATENTED HIGH FLOW DOUBLE CHECK BACKFLOW PREVENTER

- NIDEL® Model 50HA with 3/4 inch male hose thread
- ASSE Standard 1052 approved
- Field Testable
- Two Independent Check Valves
- Drains automatically when hose is removed
- No spray back

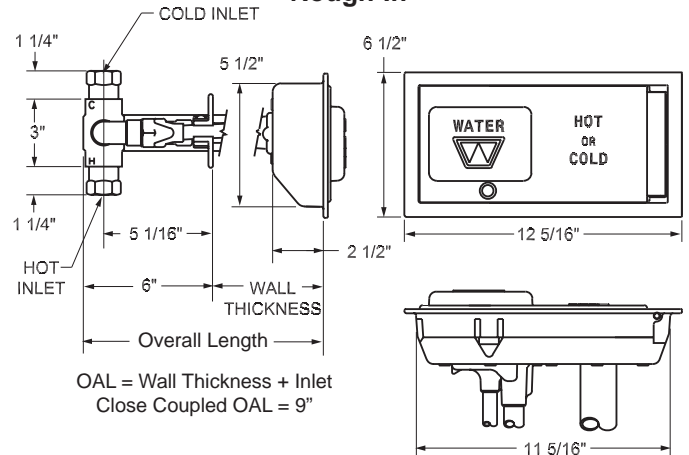
• **Maximum Working Pressure:** 125 p.s.i.

• **Maximum Temperature:** 120° F

Specify as follows:

Wall hydrant shall be a Woodford Model HCB67, Hot and Cold, automatic draining with ASSE 1052 approved NIDEL® Model 50HA high flow double check backflow preventer housed in a brass box. 3/4" inlets and outlet. Hardened stainless steel operating stem and one-piece valve plunger to control both flow and drain functions. Exterior finish to be Chrome Plated (options: Rough Brass or Polished Brass.) Loose tee key to be furnished with each hydrant. Intended for irrigation purposes Wall thickness to be _____ inches.

Rough-In



OAL = Wall Thickness + Inlet
 Close Coupled OAL = 9"



WOODFORD MANUFACTURING COMPANY, LLC.

2121 WAYNOKA ROAD
 COLORADO SPRINGS, CO 80915
 Phone (800) 621-6032 Fax (800) 765-4115 Website:
www.woodfordmfg.com
 Email: sales@woodfordmfg.com

For Commercial Applications

Job Name _____ Item Designation _____

Job Location _____ Contractor _____

Engineer _____ Representative _____

Wall Thickness: _____ Inlet: P__ C__ (P1__ EP__ **MADE TO ORDER, NO RETURN**) Head Only Finish: - Chrome Std.
Optional: Rough Brass _____

Woodford Model 68

Backflow Protected Automatic Draining Freezeless *UNDERCOVER WALL HYDRANT™*



The Model 68 is an automatic draining, freezeless wall hydrant with hose connection Backflow Protection and a unique, integral, locking head cover. The *UNDERCOVER WALL HYDRANT™* is intended for irrigation purposes and is designed to blend in with modern architecture for installation on restaurants, schools, office buildings, churches, apartments, motels, stores, shopping centers and industrial buildings.

Sizes: 4" - 24" (in 2" increments)
CC (Close Coupled) for non-freezing climates

Features:

- Flip down 16 ga. stainless steel cover with Tee Key lock
- Drain port under nozzle diverts water away from building
- Chrome plated red brass head
- 3/8" solid brass operating rod
- Copper casing tubes with built-in slope
- Hardened stainless steel operating stem
- One piece valve plunger
- 4 inlet options
- Loose tee key operation
- No Lead Solder - All joints
- Supplied with adjustable wall clamp

Specifications:

- ASSE 1053 listed hydrant 
- Patented high flow double check backflow preventer
 - NIDEL® Model 50HA with 3/4" inch male hose thread
 - ASSE Standard 1052 approved 
 - Field Testable
 - Two Independent Check Valves
 - Automatically drains - even with hose attached
 - No spray back

• **Maximum Working Pressure:** 125 p.s.i.

• **Maximum Temperature:** 120° F

Specify as follows:

Wall hydrant shall be Woodford ASSE 1053 listed Model 68, automatic draining with ASSE 1052 approved NIDEL® Model 50HA high flow double check backflow preventer. 3/4" inlet and outlet (specify type of inlet). Hardened stainless steel operating stem and one-piece valve plunger to control both flow and drain functions. Exterior finish to be stainless steel. Loose tee key to be furnished with each hydrant. Intended for irrigation purposes. Wall thickness to be _____ inches.

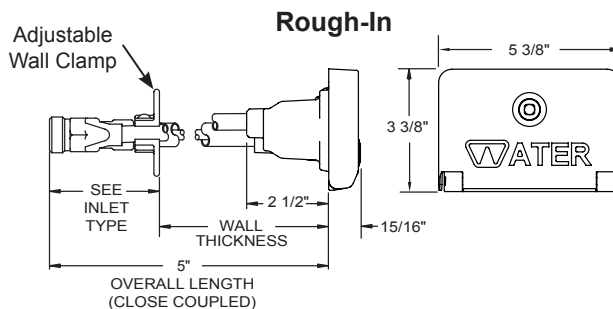


Exterior Finish:

Standard - Chrome (CH)

Optional - Brass (BR)

Fits one standard modular brick course.



Overall Length = Wall Thickness + Inlet
Close Coupled Overall Length = 5"

Inlet Options

P - 3/4" Female Pipe Thread

P1 - 1" Male Pipe Thread

C - 3/4" Copper Water Tube

EP - Union Elbow with 3/4" Male Pipe Thread



WOODFORD MANUFACTURING COMPANY, LLC.

2121 WAYNOKA ROAD

COLORADO SPRINGS, CO 80915

Phone (800) 621-6032 Fax (800) 765-4115 Website:

www.woodfordmfg.com

Email: sales@woodfordmfg.com

For Commercial Applications

Job Name _____

Item Designation _____

Job Location _____

Contractor _____

Engineer _____

Representative _____

Inlet: P-1/2__ P-3/4 __ CP __ C __

Finish: CH __ BR __ PC__

For Non Freezing Areas

Woodford

Model 24

Anti-Siphon Protected Wall Faucet

The Model 24 is an Anti-Siphon Vacuum Breaker protected wall faucet designed for use in mild climate areas. The Model 24 is designed to blend in with modern architecture for installation on homes, service stations, churches, motels, drive-in restaurants, etc.

Features:

- EPDM Packing
- Adjustable brass packing nut
- Standard "O" size valve seat washer
- Polycarbonate wheel handle and loose tee key
Optional: Metal wheel handle
- 4 inlet options

Specifications:

- **HOSE CONNECTION VACUUM BREAKER:**
 - NIDEL® Model 34HF with 3/4" hose connection
 - ASSE Standard 1011 approved
 - IAPMO® listed
 - Canadian Standards Association listed
 - Single check valve
- **Maximum Working Pressure:** 125 p.s.i.
- **Maximum Temperature:** 120° F

Specify as follows:

Wall faucet shall be a Woodford Model 24 for non-freezing areas with anti-siphon vacuum breaker. ASSE Standard 1011 approved. 3/4" hose connection (specify type of inlet). Exterior finish to be Chrome Plated (options: Rough Brass or Polished Chrome). Loose tee key to be furnished with each faucet. Inlet Type _____

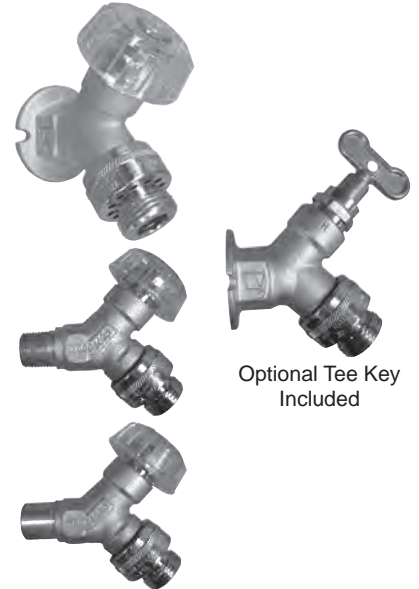
Model & Inlet

24P-1/2
1/2" FPT

24P-3/4
3/4" FPT

24CP
Combination
1/2" Copper Tube
1/2" MPT

24C
Combination
1/2" Copper Tube
3/4" Copper Tube

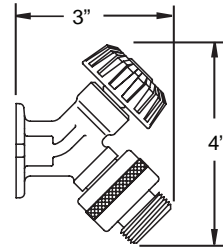


Optional Tee Key
Included

Exterior Finish:

Standard - Chrome (CH)
Optional - Rough Brass (BR) or Polished Chrome (PC)

Rough-In Dimensions - Typical



WOODFORD MANUFACTURING COMPANY, LLC.

2121 WAYNOKA ROAD

COLORADO SPRINGS, CO 80915

Phone (800) 621-6032 Fax (800) 765-4115 Website:

www.woodfordmfg.com

Email: sales@woodfordmfg.com

For Commercial Applications

Job Name _____

Item Designation _____

Job Location _____

Contractor _____

Engineer _____

Representative _____

Inlet: P-1/2__ P-3/4 __ CP __ C __

Finish: CH __ BR __ PC__

For Non Freezing Areas

Woodford

Model 26

Backflow Protected Wall Faucet

The Model 26 is a backflow protected wall faucet designed for use in mild climate areas. The Model 26 is intended for irrigation purposes and is designed to blend in with modern architecture for installation on homes, service stations, churches, motels, drive-in restaurants, etc.

Features:

- EPDM Packing
- Adjustable brass packing nut
- Standard "O" size valve seat washer
- Polycarbonate wheel handle and loose tee key
Optional: Metal wheel handle
- 4 inlet options

Specifications:

PATENTED HIGH FLOW DOUBLE CHECK BACKFLOW PREVENTER

- NIDEL® Model 50HF with 3/4 inch male hose thread
- ASSE Standard 1052 approved
- Field Testable
- Two Independent Check Valves
- Drains automatically when hose is removed
- No spray back
- **Maximum Working Pressure:** 125 p.s.i.
- **Maximum Temperature:** 120° F

Specify as follows:

Wall faucet shall be a Woodford Model 26 for non-freezing areas with ASSE 1052 approved NIDEL® Model 50HF high flow double check backflow preventer. 3/4" hose connection (specify type of inlet). Exterior finish to be Chrome Plated (options: Rough Brass or Polished Chrome). Loose tee key to be furnished with each faucet. Intended for irrigation purposes. Inlet Type _____

Model & Inlet



26P-1/2
1/2" FPT

26P-3/4
3/4" FPT



26CP
Combination
1/2" Copper Tube
1/2" MPT



26C
Combination
1/2" Copper Tube
3/4" Copper Tube

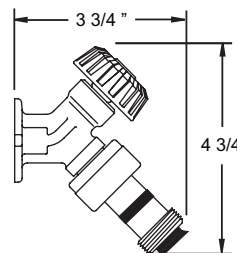


Optional Tee Key
Included

Exterior Finish:

Standard - Chrome (CH)
Optional - Rough Brass (BR) or Polished Chrome (PC)

Rough-In Dimensions - Typical



Approval Approval Approval Approval Approval

WOODFORD MANUFACTURING COMPANY, LLC.

2121 WAYNOKA ROAD

COLORADO SPRINGS, CO 80915

Phone (800) 621-6032 Fax (800) 765-4115 Website:

www.woodfordmfg.com

Email: sales@woodfordmfg.com

For Commercial Applications

Job Name _____

Item Designation _____

Job Location _____

Contractor _____

Engineer _____

Representative _____

Inlet: P-1/2__ P-3/4__

Finish: CH__ BR__ PB__ AL__

For Non Freezing Areas

Woodford Model B24 Anti-Siphon Protected Wall Faucet

The Model B24 is an Anti-Siphon Vacuum Breaker protected wall faucet designed for use in mild climate areas. A Model 24 faucet is housed in a flush mounted, tamper resistant brass wall box that is designed to blend in with modern architecture for installation on homes, service stations, churches, motels, drive-in restaurants, etc.

Features:

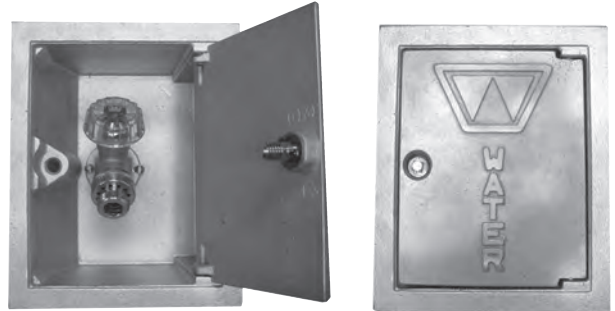
- Red Brass head, box and door
 - Optional: Anodized Aluminum (AL) box and door
- One piece box construction
- EPDM Packing
- Adjustable brass packing nut
- Standard "O" size valve seat washer
- Polycarbonate wheel handle and loose tee key
- 2 inlet options

Specifications:

- **HOSE CONNECTION VACUUM BREAKER:**
 - NIDEL® Model 34HF with 3/4" hose connection
 - ASSE Standard 1011 approved
 - IAPMO® listed
 - Canadian Standards Association listed
 - Single check valve
- **Maximum Working Pressure:** 125 p.s.i.
- **Maximum Temperature:** 120° F

Specify as follows:

Wall faucet shall be a box type Woodford Model B24 for non-freezing areas with anti-siphon vacuum breaker. ASSE Standard 1011 approved. 3/4" hose connection (specify type of inlet). Exterior finish to be Chrome Plated (options: Rough Brass, Polished Brass or Anodized Aluminum). Loose tee key to be furnished with each faucet. Inlet Type _____



Model & Inlet

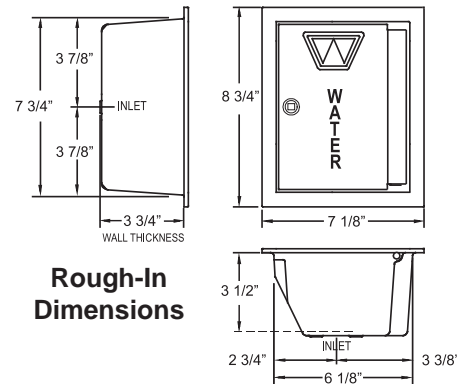
B24P-1/2 1/2" FPT
B24P-3/4 3/4" FPT

Exterior Finish:

Standard - Chrome (CH)
Optional - Rough Brass (BR),
Polished Brass (PB) or
Anodized Aluminum (AL)



Optional Tee Key
Included



**Rough-In
Dimensions**



WOODFORD MANUFACTURING COMPANY, LLC.
2121 WAYNOKA ROAD
COLORADO SPRINGS, CO 80915
Phone (800) 621-6032 Fax (800) 765-4115 Website:
www.woodfordmfg.com
Email: sales@woodfordmfg.com

For Commercial Applications

Job Name _____

Item Designation _____

Job Location _____

Contractor _____

Engineer _____

Representative _____

Inlet: P-1/2__ P-3/4__

Finish: CH__ BR__ PB__ AL__

For Non Freezing Areas

Woodford Model B26 Backflow Protected Wall Faucet

The Model B26 is a backflow protected wall faucet is intended for irrigation purposes and designed for use in mild climate areas. A Model 26 faucet is housed in a flush mounted, tamper resistant brass wall box that is designed to blend in with modern architecture for installation on homes, service stations, churches, motels, drive-in restaurants, etc.

Features:

- Red Brass head, box and door
 - Optional: Anodized Aluminum (AL) box and door
- One piece box construction
- EPDM Packing
- Adjustable brass packing nut
- Standard "O" size valve seat washer
- Polycarbonate wheel handle and loose tee key
 - Optional: Metal wheel handle
- 2 inlet options

Specifications:

PATENTED HIGH FLOW DOUBLE CHECK BACKFLOW PREVENTER

- NIDEL® Model 50HF with 3/4 inch male hose thread
- ASSE Standard 1052 approved
- Field Testable
- Two Independent Check Valves
- Drains automatically when hose is removed
- No spray back

• **Maximum Working Pressure:** 125 p.s.i.

• **Maximum Temperature:** 120° F

Specify as follows:

Wall faucet shall be a box type Woodford Model B26 for non-freezing areas with ASSE 1052 approved NIDEL® Model 50HF high flow double check backflow preventer. 3/4" hose connection (specify type of inlet). Exterior finish to be Chrome Plated (options: Rough Brass, Polished Brass or Anodized Aluminum). Loose tee key to be furnished with each faucet. Intended for irrigation purposes. Inlet Type _____



Model & Inlet

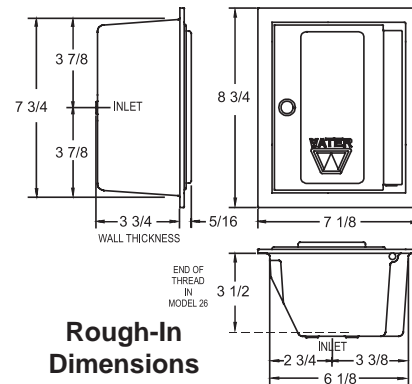
B26P-1/2 1/2" FPT
B26P-3/4 3/4" FPT

Exterior Finish:

Standard - Chrome (CH)
Optional - Rough Brass (BR),
Polished Brass (PB) or
Anodized Aluminum (AL)



Optional Tee Key
Included



WOODFORD MANUFACTURING COMPANY, LLC.

2121 WAYNOKA ROAD

COLORADO SPRINGS, CO 80915

Phone (800) 621-6032 Fax (800) 765-4115 Website:

www.woodfordmfg.com

Email: sales@woodfordmfg.com

For Commercial Applications

Job Name _____

Item Designation _____

Job Location _____

Contractor _____

Engineer _____

Representative _____

Inlet: 3/4" Female Pipe Thread *Only*

Finish: CH ___ BR ___ PB___

For Non Freezing Areas

Woodford Model 75

Anti-Siphon Protected 360° Close Coupled Inlet Trimline Wall Hydrant

The Model 75 is an Anti-Siphon Vacuum Breaker protected wall hydrant designed for use in mild climate areas or within temperature controlled buildings. The Model 75 is only 2-5/8" deep and fits within a 2 x 4 stud wall.

Features:

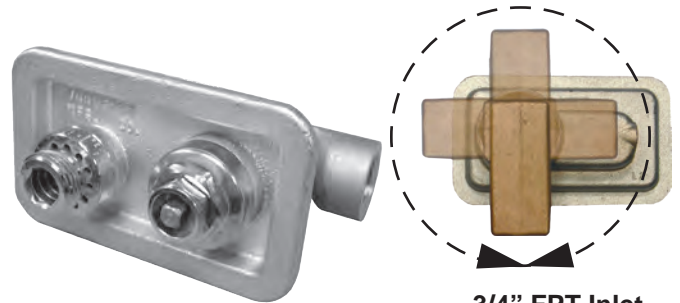
- Red Brass head & valve body
- Hemispherical valve seat
- Hardened stainless steel operating stem
- EPDM Packing
- Adjustable brass packing nut
- Loose Tee Key operation
- 3/4" female pipe thread inlet swivels 360° to any position

Specifications:

- **HOSE CONNECTION VACUUM BREAKER:**
 - NIDEL® Model 34HF with 3/4" hose connection
 - ASSE Standard 1011 approved
 - IAPMO® listed
 - Canadian Standards Association listed
 - Single check valve
- **Maximum Working Pressure:** 125 p.s.i.
- **Maximum Temperature:** 120° F

Specify as follows:

Wall hydrant shall be a Woodford Model 75 for non-freezing areas with anti-siphon vacuum breaker. ASSE Standard 1011 approved. 3/4" hose connection inlet and outlet. 360° inlet orientation. Hardened stainless steel operating stem. Packing nut secured with lock nut. Permanent type valve body with large hemispherical seating surface. Exterior finish to be Chrome Plated (options: Rough Brass or Polished Brass). Loose tee key to be furnished with each hydrant.

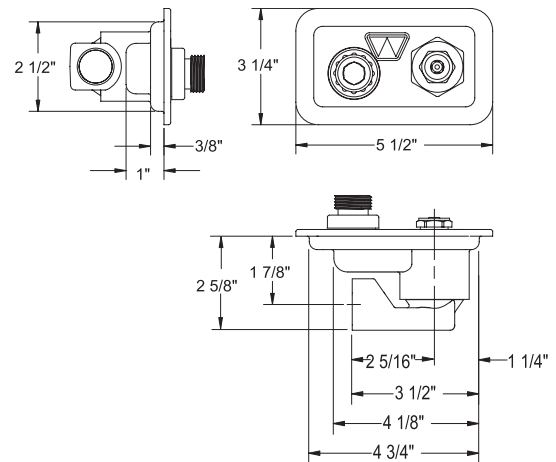


**3/4" FPT Inlet
Rotates 360°**

Exterior Finish:

Standard - Chrome (CH)
Optional - Rough Brass (BR) or Polished Brass (PB)

Rough-In Dimensions



WOODFORD MANUFACTURING COMPANY, LLC.

2121 WAYNOKA ROAD
COLORADO SPRINGS, CO 80915
Phone (800) 621-6032 Fax (800) 765-4115 Website:
www.woodfordmfg.com
Email: sales@woodfordmfg.com

For Commercial Applications

Job Name _____

Item Designation _____

Job Location _____

Contractor _____

Engineer _____

Representative _____

Inlet: 3/4" Female Pipe Thread *Only*

Finish: CH ___ BR ___ PB___

For Non Freezing Areas

Woodford Model 79

Backflow Protected 360° Close Coupled Inlet Trimline Wall Hydrant

The Model 79 is a Backflow protected wall hydrant intended for irrigation purposes and is designed for use in mild climate areas or within temperature controlled buildings. The Model 79 is only 2-5/8" deep and fits within a 2 x 4 stud wall.

Features:

- Red Brass head & valve body
- Hemispherical valve seat
- Hardened stainless steel operating stem
- EPDM Packing
- Adjustable brass packing nut
- Loose Tee Key operation
- 3/4" female pipe thread inlet swivels 360° to any position

Specifications:

PATENTED HIGH FLOW DOUBLE CHECK BACKFLOW PREVENTER

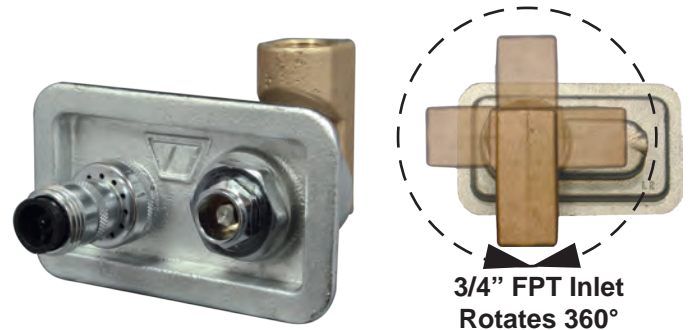
- NIDEL® Model 50HF with 3/4 inch male hose thread
- ASSE Standard 1052 approved
- Field Testable
- Two Independent Check Valves
- Drains automatically when hose is removed
- No spray back

• **Maximum Working Pressure:** 125 p.s.i.

• **Maximum Temperature:** 120° F

Specify as follows:

Wall hydrant shall be a Woodford Model 79 for non-freezing areas with ASSE 1052 approved NIDEL® Model 50HF high flow double check backflow preventer. 3/4" hose connection inlet and outlet. 360° inlet orientation. Hardened stainless steel operating stem. Packing nut secured with lock nut. Permanent type valve body with large hemispherical seating surface. Exterior finish to be Chrome Plated (options: Rough Brass or Polished Brass). Intended for irrigation purposes. Loose tee key to be furnished with each hydrant.

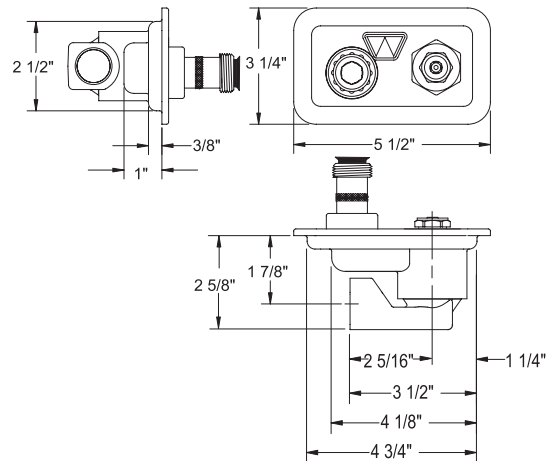


Exterior Finish:

Standard - Chrome (CH)

Optional - Rough Brass (BR) or Polished Brass (PB)

Rough-In Dimensions



WOODFORD MANUFACTURING COMPANY, LLC.

2121 WAYNOKA ROAD

COLORADO SPRINGS, CO 80915

Phone (800) 621-6032 Fax (800) 765-4115 Website:

www.woodfordmfg.com

Email: sales@woodfordmfg.com

For Commercial Applications

Job Name _____ Item Designation _____

Job Location _____ Contractor _____

Engineer _____ Representative _____

Inlet: 3/4" Female Pipe Thread *Only* Finish: CH ___ BR ___ PB___

For Non Freezing Areas

Woodford

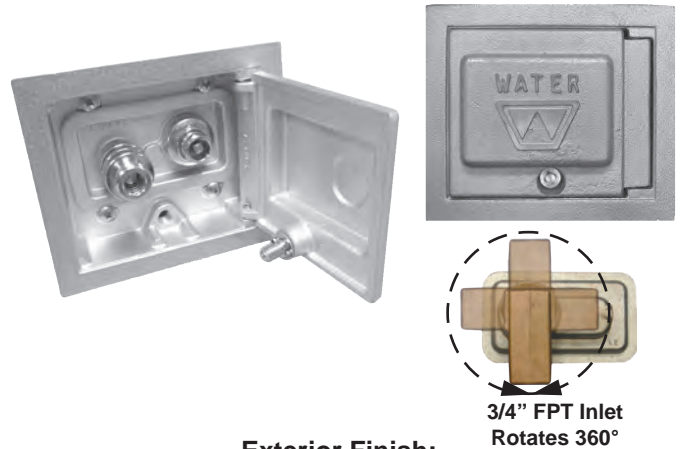
Model B75 Box Type

Anti-Siphon Protected

360° Close Coupled Inlet

Trimline Wall Hydrant

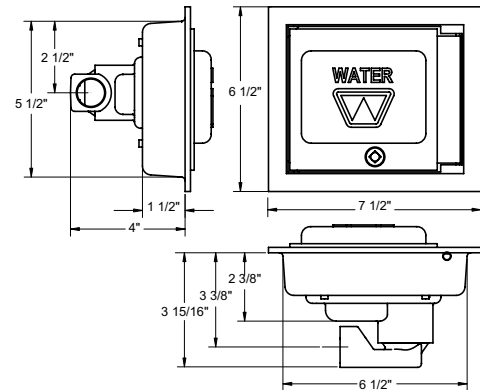
The Model B75 is an Anti-Siphon Vacuum Breaker protected wall hydrant housed in a tamper resistant brass box. Designed for use in mild climate areas or within temperature controlled buildings. The Model B75 fits inside a 4" wall.



Exterior Finish:

Standard - Chrome (CH)
Optional - Rough Brass (BR) or Polished Brass (PB)

Rough-In Dimensions



Features:

- Red Brass head, valve body, box & door
 - Optional: Flat Door (F)
- One piece box construction
- Hemispherical valve seat
- Hardened stainless steel operating stem
- EPDM Packing
- Adjustable brass packing nut
- Loose Tee Key operation
- 3/4" female pipe thread inlet swivels 360° to any position

Specifications:

- **HOSE CONNECTION VACUUM BREAKER:**
 - NIDEL® Model 34HF with 3/4" hose connection
 - ASSE Standard 1011 approved
 - IAPMO® listed
 - Canadian Standards Association listed
 - Single check valve
- **Maximum Working Pressure:** 125 p.s.i.
- **Maximum Temperature:** 120° F

Specify as follows:

Wall hydrant shall be a box type Woodford Model B75 for non-freezing areas with anti-siphon vacuum breaker. ASSE Standard 1011 approved. 3/4" hose connection inlet and outlet. 360° inlet orientation. Hardened stainless steel operating stem. Packing nut secured with lock nut. Permanent type valve body with large hemispherical seating surface. Exterior finish to be Chrome Plated (options: Rough Brass or Polished Brass). Loose tee key to be furnished with each hydrant.



WOODFORD MANUFACTURING COMPANY, LLC.
2121 WAYNOKA ROAD
COLORADO SPRINGS, CO 80915
Phone (800) 621-6032 Fax (800) 765-4115 Website:
www.woodfordmfg.com
Email: sales@woodfordmfg.com

For Commercial Applications

Job Name _____

Item Designation _____

Job Location _____

Contractor _____

Engineer _____

Representative _____

Inlet: 3/4" Female Pipe Thread *Only*

Finish: CH ___ BR ___ PB___

For Non Freezing Areas

Woodford

Model B79 Box Type Backflow Protected 360° Close Coupled Inlet Trimline Wall Hydrant

The Model B79 is a backflow protected wall hydrant housed in a tamper resistant brass box. The hydrant is intended for irrigation purposes and is designed for use in mild climate areas or within temperature controlled buildings. The Model B79 fits inside a 4" wall.

Features:

- Red Brass head, valve body, box & door
- One piece box construction
- Hemispherical valve seat
- Hardened stainless steel operating stem
- EPDM Packing
- Adjustable brass packing nut
- Loose Tee Key operation
- 3/4" female pipe thread inlet swivels 360° to any position

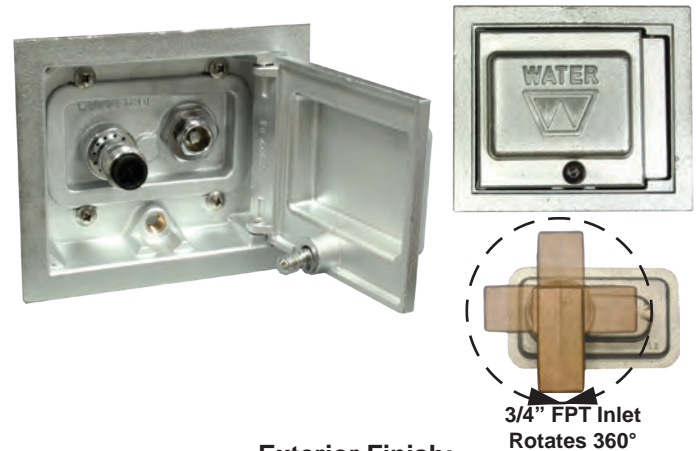
Specifications:

PATENTED HIGH FLOW DOUBLE CHECK BACKFLOW PREVENTER

- NIDEL® Model 50HF with 3/4 inch male hose thread
- ASSE Standard 1052 approved
- Field Testable
- Two Independent Check Valves
- Drains automatically when hose is removed
- No spray back
- **Maximum Working Pressure:** 125 p.s.i.
- **Maximum Temperature:** 120° F

Specify as follows:

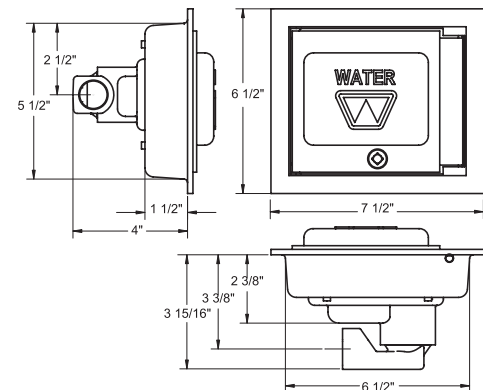
Wall hydrant shall be a box type Woodford Model B79 for non-freezing areas with ASSE 1052 approved NIDEL® Model 50HF high flow double check backflow preventer. 3/4" hose connection inlet and outlet. 360° inlet orientation. Hardened stainless steel operating stem. Packing nut secured with lock nut. Permanent type valve body with large hemispherical seating surface. Exterior finish to be Chrome Plated (options: Rough Brass or Polished Brass). Intended for irrigation purposes. Loose tee key to be furnished with each hydrant.



Exterior Finish:

Standard - Chrome (CH)
Optional - Rough Brass (BR) or Polished Brass (PB)

Rough-In Dimensions



WOODFORD MANUFACTURING COMPANY, LLC.
2121 WAYNOKA ROAD
COLORADO SPRINGS, CO 80915
Phone (800) 621-6032 Fax (800) 765-4115 Website:
www.woodfordmfg.com
Email: sales@woodfordmfg.com

For Commercial Applications

Job Name _____ Item Designation _____
Job Location _____ Contractor _____
Engineer _____ Representative _____
Inlet: 3/4" Female Pipe Thread *Only* Finish: CH ____

For Non Freezing Areas

Woodford

Model RB75 Round Box Type

Anti-Siphon Protected

360° Close Coupled Inlet

Trimline Wall Hydrant

The Model RB75 is an anti-siphon protected wall hydrant housed in a round, tamper resistant silicon bronze box. Designed especially for tip-up wall construction, the round box assembly can be installed through a 6" diameter core drilled hole. Hydrant is designed for use in mild climate areas or within temperature controlled buildings.

Features:

- Red Brass head & valve body
- Silicon bronze box & door
- One piece box construction
- Hemispherical valve seat
- Hardened stainless steel operating stem
- EPDM Packing
- Adjustable brass packing nut
- Loose Tee Key operation
- 3/4" female pipe thread inlet swivels 360° to any position

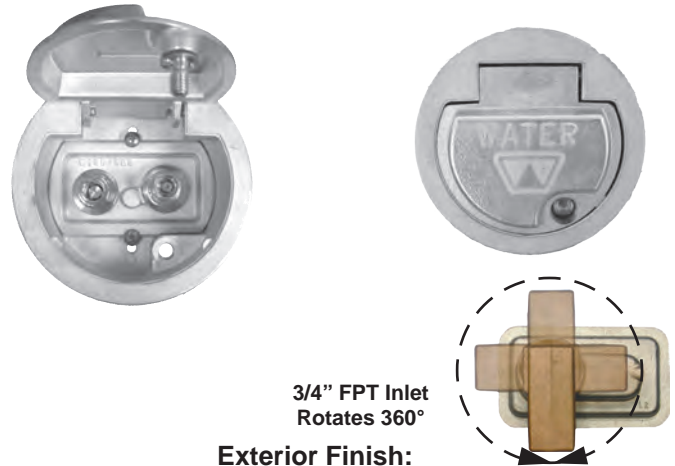
Specifications:

- **HOSE CONNECTION VACUUM BREAKER:**
 - NIDEL® Model 34HF with 3/4" hose connection
 - ASSE Standard 1011 approved
 - IAPMO® listed
 - Canadian Standards Association listed
 - Single check valve

- **Maximum Working Pressure:** 125 p.s.i.
- **Maximum Temperature:** 120° F

Specify as follows:

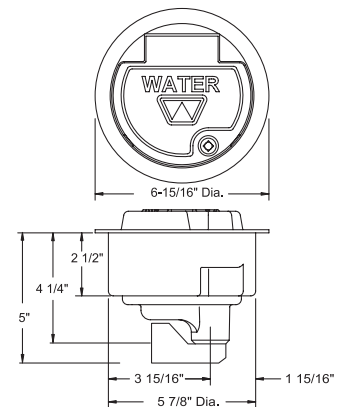
Wall hydrant shall be a round box type Woodford Model RB75 for non-freezing areas with anti-siphon vacuum breaker. ASSE Standard 1011 approved. 3/4" hose connection inlet and outlet. 360° inlet orientation. Hardened stainless steel operating stem. Packing nut secured with lock nut. Permanent type valve body with large hemispherical seating surface. Exterior finish to be Chrome Plated. Loose tee key to be furnished with each hydrant.



3/4" FPT Inlet
Rotates 360°

Exterior Finish:
Box & Door - Chrome (CH) Only

Rough-In Dimensions



Approval Approval Approval Approval Approval

WOODFORD MANUFACTURING COMPANY, LLC.
2121 WAYNOKA ROAD
COLORADO SPRINGS, CO 80915
Phone (800) 621-6032 Fax (800) 765-4115 Website:
www.woodfordmfg.com
Email: sales@woodfordmfg.com

For Commercial Applications

Job Name _____

Item Designation _____

Job Location _____

Contractor _____

Engineer _____

Representative _____

Inlet: 3/4" Female Pipe Thread *Only*

Finish: CH ____

For Non Freezing Areas

Woodford

Model RB79^{Round Box Type}

Backflow Protected 360° Close Coupled Inlet Trimline Wall Hydrant

The Model RB79 is a backflow protected wall hydrant housed in a round, tamper resistant silicon bronze box. Designed especially for tip-up wall construction, the round box assembly can be installed through a 6" diameter core drilled hole. Hydrant is intended for irrigation purposes and is designed for use in mild climate areas or within temperature controlled buildings.

Features:

- Red Brass head & valve body
- Silicon bronze box & door
- One piece box construction
- Hemispherical valve seat
- Hardened stainless steel operating stem
- EPDM Packing
- Adjustable brass packing nut
- Loose Tee Key operation
- 3/4" female pipe thread inlet swivels 360° to any position

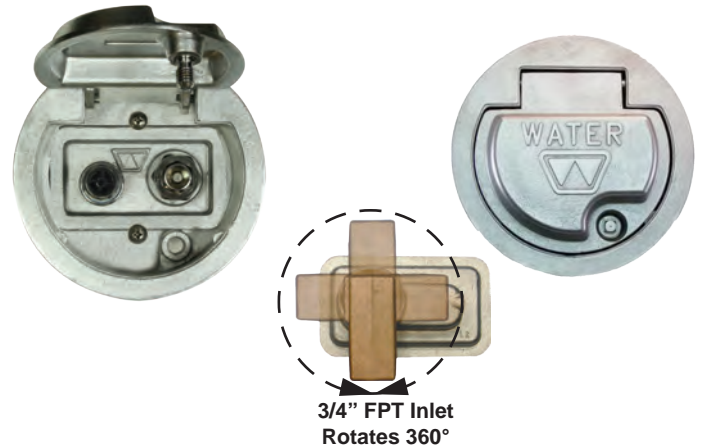
Specifications:

PATENTED HIGH FLOW DOUBLE CHECK BACKFLOW PREVENTER

- NIDEL® Model 50HF with 3/4 inch male hose thread
- ASSE Standard 1052 approved
- Field Testable
- Two Independent Check Valves
- Drains automatically when hose is removed
- No spray back
- **Maximum Working Pressure:** 125 p.s.i.
- **Maximum Temperature:** 120° F

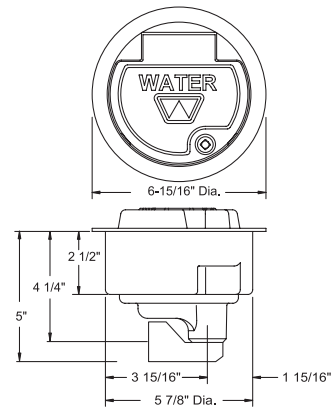
Specify as follows:

Wall hydrant shall be a round box type Woodford Model RB79 for non-freezing areas with ASSE 1052 approved NIDEL® Model 50HF high flow double check backflow preventer. 3/4" hose connection inlet and outlet. 360° inlet orientation. Hardened stainless steel operating stem. Packing nut secured with lock nut. Permanent type valve body with large hemispherical seating surface. Intended for irrigation purposes. Exterior finish to be Chrome Plated. Loose tee key to be furnished with each hydrant.



**3/4" FPT Inlet
Rotates 360°**
Exterior Finish:
Box & Door - Chrome (CH) Only

Rough-In Dimensions



WOODFORD MANUFACTURING COMPANY, LLC.
2121 WAYNOKA ROAD
COLORADO SPRINGS, CO 80915
Phone (800) 621-6032 Fax (800) 765-4115 Website:
www.woodfordmfg.com
Email: sales@woodfordmfg.com

For Commercial Applications

Job Name _____ Item Designation _____
Job Location _____ Contractor _____
Engineer _____ Representative _____
Inlet: P ___ C ___ (EP ___ *MADE TO ORDER, NO RETURN*) Finish: CH ___ BR ___ PB ___

For Non Freezing Areas

Woodford Model 74

Anti-Siphon Protected Close Coupled Wall Hydrant

The Model 74 is an Anti-Siphon Vacuum Breaker protected wall hydrant designed for use in mild climate areas or within temperature controlled malls and plazas.

Features:

- Red Brass head & valve body
- Hemispherical valve seat
- Hardened stainless steel operating stem
- EPDM Packing
- Adjustable brass packing nut
- Loose Tee Key operation
- 3 Inlet options

Specifications:

- **HOSE CONNECTION VACUUM BREAKER:**
 - NIDEL® Model 34HF with 3/4" hose connection
 - ASSE Standard 1011 approved
 - IAPMO® listed
 - Canadian Standards Association listed
 - Single check valve
- **Maximum Working Pressure:** 125 p.s.i.
- **Maximum Temperature:** 120° F

Specify as follows:

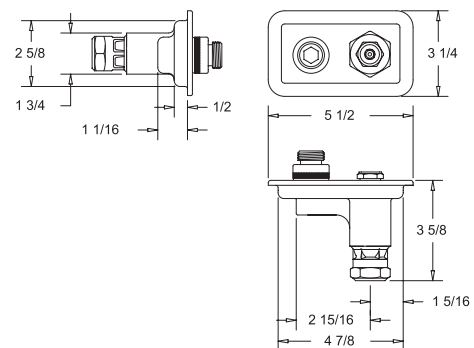
Wall hydrant shall be a Woodford Model 74 for non-freezing areas with anti-siphon vacuum breaker. ASSE Standard 1011 approved. 3/4" hose connection inlet. 3/4" outlet (specify type of inlet). Hardened stainless steel operating stem. Packing nut secured with lock nut. Permanent type valve body with large hemispherical seating surface. Exterior finish to be Chrome Plated (options: Rough Brass or Polished Brass). Loose tee key to be furnished with each hydrant.



Exterior Finish:

Standard - Chrome (CH)
Optional - Rough Brass (BR) or Polished Brass (PB)

Rough-In Dimensions



Inlet Options

P - 3/4" Female Pipe Thread
C - 3/4" Copper Sweat Fitting
EP - Union Elbow with 3/4" Male Pipe Thread



Approval Approval Approval Approval Approval

WOODFORD MANUFACTURING COMPANY, LLC.

2121 WAYNOKA ROAD

COLORADO SPRINGS, CO 80915

Phone (800) 621-6032 Fax (800) 765-4115 Website:

www.woodfordmfg.com

Email: sales@woodfordmfg.com

For Commercial Applications

Job Name _____ Item Designation _____
Job Location _____ Contractor _____
Engineer _____ Representative _____
Inlet: P ___ C ___ (EP ___ *MADE TO ORDER, NO RETURN*) Finish: CH ___ BR ___ PB ___

For Non Freezing Areas

Woodford Model B74 Box

Type Anti-Siphon Protected

The Model 74 is an Anti-Siphon Vacuum Breaker protected wall hydrant housed in a tamper resistant brass box. The hydrant is designed for use in mild climate areas or within temperature controlled malls and plazas.

Features:

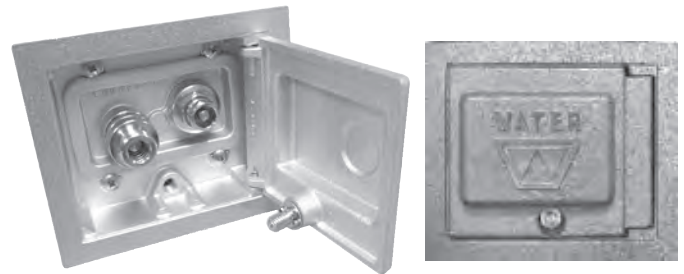
- Red Brass head & valve body, box and door
 - Optional: Flat Door (F)
- One piece box construction
- Hemispherical valve seat
- Hardened stainless steel operating stem
- EPDM Packing
- Adjustable brass packing nut
- Loose Tee Key operation
- 3 Inlet options

Specifications:

- **HOSE CONNECTION VACUUM BREAKER:**
 - NIDEL® Model 34HF with 3/4" hose connection
 - ASSE Standard 1011 approved
 - IAPMO® listed
 - Canadian Standards Association listed
 - Single check valve
- **Maximum Working Pressure:** 125 p.s.i.
- **Maximum Temperature:** 120° F

Specify as follows:

Wall hydrant shall be a box type Woodford Model B74 for non-freezing areas with anti-siphon vacuum breaker. ASSE Standard 1011 approved. 3/4" hose connection inlet. 3/4" outlet (specify type of inlet). Hardened stainless steel operating stem. Packing nut secured with lock nut. Permanent type valve body with large hemispherical seating surface. Exterior finish to be Chrome Plated (options: Rough Brass or Polished Brass). Loose tee key to be furnished with each hydrant.

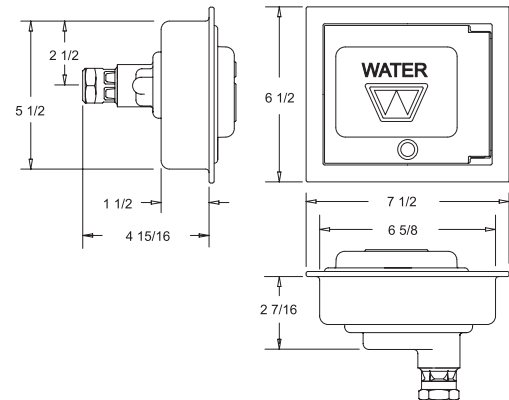


Square Box & Door - Optional: Flat Door (F)

Exterior Finish:

Standard - Chrome (CH)
Optional - Rough Brass (BR) or Polished Brass (PB)

Rough-In Dimensions



Inlet Options

P - 3/4" Female Pipe Thread
C - 3/4" Copper Sweat Fitting
EP - Union Elbow with 3/4" Male Pipe Thread



WOODFORD MANUFACTURING COMPANY, LLC.

2121 WAYNOKA ROAD
COLORADO SPRINGS, CO 80915
Phone (800) 621-6032 Fax (800) 765-4115 Website:
www.woodfordmfg.com
Email: sales@woodfordmfg.com

For Commercial Applications

Job Name _____ Item Designation _____
Job Location _____ Contractor _____
Engineer _____ Representative _____
Inlet: P ___ C ___ (EP ___ *MADE TO ORDER, NO RETURN*) Finish: CH ___ BR ___ PB ___

For Non Freezing Areas

Woodford

Model 84

Anti-Siphon Protected Close Coupled Wall Hydrant

The Model 84 is an Anti-Siphon Vacuum Breaker protected wall hydrant designed for use in mild climate areas or within temperature controlled malls and plazas.

Features:

- Red Brass head & valve body
- No lead solder - All joints
- Hemispherical valve seat
- Hardened stainless steel operating stem
- EPDM Packing
- Adjustable brass packing nut
- Loose Tee Key operation
- 3 Inlet options

Specifications:

- **HOSE CONNECTION VACUUM BREAKER:**
 - NIDEL® Model 34HF with 3/4" hose connection
 - ASSE Standard 1011 approved
 - IAPMO® listed
 - Canadian Standards Association listed
 - Single check valve
- **Maximum Working Pressure:** 125 p.s.i.
- **Maximum Temperature:** 120° F

Specify as follows:

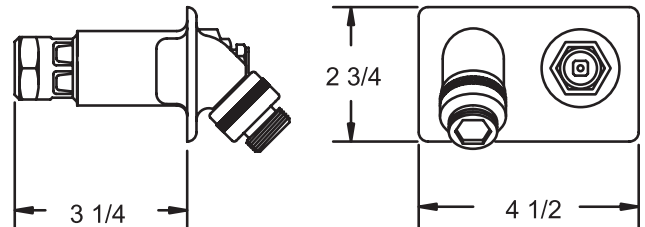
Wall hydrant shall be a Woodford Model 84 for non-freezing areas with anti-siphon vacuum breaker. ASSE Standard 1011 approved. 3/4" hose connection inlet. 3/4" outlet (specify type of inlet). Hardened stainless steel operating stem. Packing nut secured with lock nut. Permanent type valve body with large hemispherical seating surface. Exterior finish to be Chrome Plated (options: Rough Brass or Polished Brass). Loose tee key to be furnished with each hydrant.



Exterior Finish:

Standard - Chrome (CH)
Optional - Rough Brass (BR) or Polished Brass (PB)

Rough-In Dimensions



Inlet Options

P - 3/4" Female Pipe Thread
C - 3/4" Copper Sweat Fitting
EP - Union Elbow with 3/4" Male Pipe Thread



WOODFORD MANUFACTURING COMPANY, LLC.
2121 WAYNOKA ROAD
COLORADO SPRINGS, CO 80915
Phone (800) 621-6032 Fax (800) 765-4115 Website:
www.woodfordmfg.com
Email: sales@woodfordmfg.com

For Commercial Applications

Job Name _____ Item Designation _____
Job Location _____ Contractor _____
Engineer _____ Representative _____
Inlet: P ___ C ___ (EP ___ *MADE TO ORDER, NO RETURN*) Finish: CH ___ BR ___ PB___

For Non Freezing Areas

Woodford

Model 86

Backflow Protected Close Coupled Wall Hydrant

The Model 86 is a backflow protected wall hydrant is intended for irrigation purposes and is designed for use in mild climate areas or within temperature controlled malls and plazas.

Features:

- Red Brass head & valve body
- No lead solder - All joints
- Hemispherical valve seat
- Hardened stainless steel operating stem
- EPDM Packing
- Adjustable brass packing nut
- Loose Tee Key operation
- 3 Inlet options

Specifications:

PATENTED HIGH FLOW DOUBLE CHECK BACKFLOW PREVENTER

- NIDEL® Model 50HF with 3/4" inch male hose thread
- ASSE Standard 1052 approved
- Field Testable
- Two Independent Check Valves
- Drains automatically when hose is removed
- No spray back

- **Maximum Working Pressure:** 125 p.s.i.
- **Maximum Temperature:** 120° F

Specify as follows:

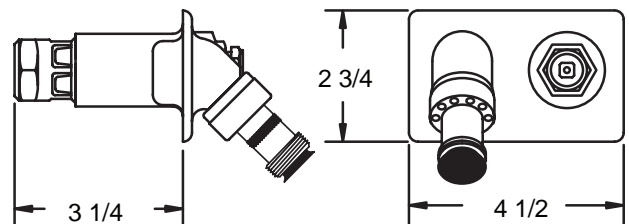
Wall hydrant shall be a Woodford Model 86 for non-freezing areas with ASSE 1052 approved NIDEL® Model 50HF high flow double check backflow preventer. 3/4" hose connection inlet. 3/4" outlet (specify type of inlet). Hardened stainless steel operating stem. Packing nut secured with lock nut. Permanent type valve body with large hemispherical seating surface. Exterior finish to be Chrome Plated (options: Rough Brass or Polished Brass). Loose tee key to be furnished with each hydrant.



Exterior Finish:

Standard - Chrome (CH)
Optional - Rough Brass (BR) or Polished Brass (PB)

Rough-In Dimensions



Inlet Options

P - 3/4" Female Pipe Thread
C - 3/4" Copper Sweat Fitting
EP - Union Elbow with 3/4" Male Pipe Thread



WOODFORD MANUFACTURING COMPANY, LLC.
2121 WAYNOKA ROAD
COLORADO SPRINGS, CO 80915
Phone (800) 621-6032 Fax (800) 765-4115 Website:
www.woodfordmfg.com
Email: sales@woodfordmfg.com

For Commercial Applications

Job Name _____

Item Designation _____

Job Location _____

Contractor _____

Engineer _____

Representative _____

Inlet: 3/4" N.P.T. Female

Finish: BR ___ CH ___ PB ___

Woodford Model Y95 Anti-Siphon Protected Freezless Yard Hydrant

The Model Y95 is installed flush with surrounding surfaces and is designed for use on golf courses, in parks and recreation areas, shopping center malls, and landscaped areas around buildings. Hydrant is intended for irrigation purposes.

Bury Depth Sizes (feet): 1' - 7' (in 1' increments)

Features:

- Red Brass head & valve body, box and door
- One piece box construction
- Hardened stainless steel operating stem
- EPDM Packing
- Adjustable brass packing nut
- One piece cushion type plunger
- 3/4" N.P.T. Female inlet
- 1/8" N.P.T. Drain hole
- 1" galvanized steel pipe casing (Optional 1" brass pipe)
- 3/8" galvanized steel operating pipe (Optional 3/8" brass pipe)
- Loose Tee Key operation

Specifications:

PATENTED HIGH FLOW DOUBLE CHECK BACKFLOW PREVENTER

- NIDEL® Model 50HF with 3/4 inch male hose thread
- ASSE Standard 1052 approved
- Field Testable
- Two Independent Check Valves
- Drains automatically when hose is removed
- No spray back

• **Maximum Working Pressure:** 125 p.s.i.

• **Maximum Temperature:** 120° F

Specify as follows:

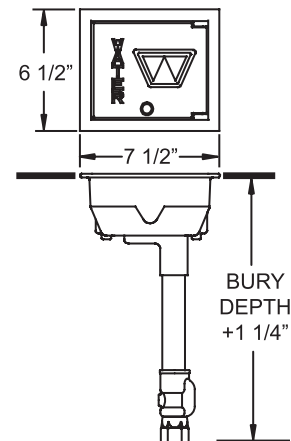
Yard hydrant shall be a freezless Woodford Model Y95 housed in a tamper resistant brass box with door. ASSE 1052 approved NIDEL® Model 50HF high flow double check backflow preventer. 3/4" hose connection inlet and 3/4" outlet. Hardened stainless steel operating stem. Packing nut secured with lock nut. One piece cushion type plunger. Exterior finish to be Rough Brass (options: Chrome Plate or Polished Brass). Intended for irrigation purposes. Loose tee key operates the hydrant and door lock. Bury Depth to be _____ feet.



Exterior Finish:

Standard - Rough Brass (BR),
Optional - Chrome (CH), Polished Brass (PB)

Rough-In Dimensions



WOODFORD MANUFACTURING COMPANY, LLC.

2121 WAYNOKA ROAD

COLORADO SPRINGS, CO 80915

Phone (800) 621-6032 Fax (800) 765-4115 Website:

www.woodfordmfg.com

Email: sales@woodfordmfg.com