



MODEL N° 1008

OWNER'S MANUAL

COPY

Keep this Product ID Number and use when contacting Customer Service:

REGISTER YOUR PRODUCT ONLINE AT WWW.LIFETIME.COM

At Lifetime, we are committed to providing innovative and quality products. While registering, you will have the opportunity to give us your feedback. Your input is valuable to us.

- You can also opt in to receive new product notifications or promotions.
- In the unlikely event of a product recall or safety modification, your registration provides the information we need to notify you directly.
- Registration is fast, easy, and completely voluntary.

Lifetime's Promise to You:

Maintaining your privacy is our long-standing policy at Lifetime. And you can rest assured that Lifetime will not sell or provide your personal data to other third parties, or allow them to use your personal data for their own purposes.

We invite you to read our privacy policy at www.lifetime.com

REGISTER today!

Save this owner's manual for future reference and in the event that the manufacturer has to be contacted.



Questions or Missing Parts?

ID:

TO SAVE TIME WHEN CONTACTING CUSTOMER SERVICE, PLEASE HAVE THE PRODUCT ID AVAILABLE BEFORE YOU CALL; IT'S LOCATED AT THE BOTTOM-LEFT CORNER OF THE FRONT PAGE OF THIS MANUAL.

****U.S. and Canada customers ONLY****

FOR CUSTOMERS OUTSIDE THE U.S. OR CANADA, PLEASE CONTACT THE STORE FOR ASSISTANCE.

DO NOT CONTACT THE STORE!
CALL OUR CUSTOMER SERVICE DEPARTMENT at
1 (800) 225-3865

HOURS: 7:00 a.m. to 5:00 p.m. Monday through Friday (Mountain Standard Time)

Call, or visit our Web site for Saturday hours



SAFETY INSTRUCTIONS



FAILURE TO FOLLOW THESE WARNINGS MAY RESULT IN SERIOUS INJURY OR PROPERTY DAMAGE AND WILL VOID WARRANTY.

To ensure safety, do not attempt to assemble this product without reading and following all instructions carefully. Check the entire box and inside all packing materials for parts and/or additional instruction material. Before beginning assembly, identify and inventory all parts and hardware using the parts and hardware lists and identifiers in this document. Proper and complete assembly, use and supervision are essential for proper orientation and to reduce the risk of accident or injury. A high probability of serious injury exists if this product is not installed, maintained, and/or operated properly. Failure to comply with any of the warnings in this instruction manual may result in serious personal injuries such as cuts, broken bones, nerve damage, paralysis, brain injury, or death. Failure to comply may also result in property damage. Please heed all warnings and cautions.

- Use extreme caution while using a ladder during assembly.
- Three capable adults are recommended for this operation.
- Before digging, contact utility company to locate underground power cables, gas, and water lines. Ensure that there are no overhead power lines within 20 ft. (7m) radius of Pole location.

Most injuries are caused by misuse and/or not following instructions. Use caution when using this product.

BEFORE BEGINNING ASSEMBLY



Keep the hardware bags and their contents separate. If any parts are missing, call our Customer Service Department.



Identify and inventory all parts and hardware using the parts and hardware lists and identifiers in this document.

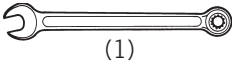


Test fit all Bolts by inserting them into their respective holes. If necessary, carefully scrape away any excess powder coating buildup from inside the holes. Do not scrape away all of the powder coating. Bare metal may rust. You may need to pound some Bolts into place with a hammer or mallet.

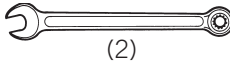


TOOLS AND PARTS REQUIRED FOR THIS ASSEMBLY

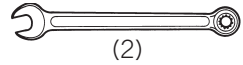
3/8" Wrench



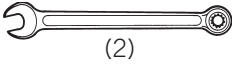
7/16" Wrench



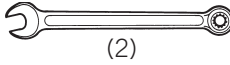
1/2" Wrench



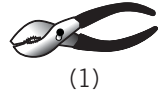
9/16" Wrench



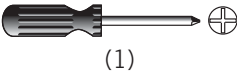
3/4" Wrench



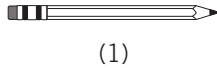
Pliers



Phillips Screwdriver



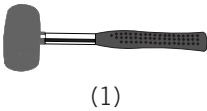
Pencil



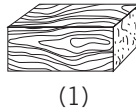
Tape Measure



Rubber Mallet



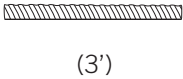
Wood Block



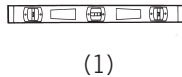
Electric Drill



Rebar



Level



Cement Mix



(~8 Bags, 80 lb each)

Shovel



Ladder



****Three adults required to complete assembly****

Only adults should set up the product. Do not allow children in the setup area until assembly is complete.

ASSEMBLY GUIDES

Refer to the following areas throughout the instructions to assist in the assembly process:

This area is located at the top, left-hand corner of the page and indicates which tools and hardware are needed to complete the assembly steps on a page.



TOOLS AND HARDWARE REQUIRED FOR THIS PAGE



This area is usually located in the bottom, left-hand corner of a step and indicates that special attention is needed to perform a particular part of a step.



Note:

These areas are usually located in the bottom, right-hand corner of a step and indicate that damage to the product or serious injury may occur if the caution or warning is not heeded.



CAUTION



WARNING

PARTS LIST

<u>ID</u>	<u>Item Description</u>	<u>Qty</u>	<u>✓</u>
ALH	Top Pole	1	<input type="checkbox"/>
ALF	Middle Pole	1	<input type="checkbox"/>
ALE	Bottom Pole	1	<input type="checkbox"/>
AJK	Right Backboard Bracket	1	<input type="checkbox"/>
AJJ	Left Backboard Bracket	1	<input type="checkbox"/>
ALM	Pole Cap	1	<input type="checkbox"/>
AKZ	Net	1	<input type="checkbox"/>
BDM	Inner Guard	1	<input type="checkbox"/>
BDN	Outer Guard	1	<input type="checkbox"/>
BDL	Dunk Latch	1	<input type="checkbox"/>
AKC	Extension Arm	4	<input type="checkbox"/>
ALX	Rim	1	<input type="checkbox"/>
AJI	Backboard	1	<input type="checkbox"/>
AKP	Height Sticker (not shown)	1	<input type="checkbox"/>
AMT	Warning Sticker (applied to Middle Pole)	1	<input type="checkbox"/>

HARDWARE LIST

<u>ID</u>	<u>Item Description</u>	<u>Qty</u>	<u>✓</u>
BCO	Pole Assembly Hardware		
ADS	1/4" x 3/4" Screw	2	<input type="checkbox"/>
CIH	Domed Countersink Washer	2	<input type="checkbox"/>
ABZ	Self-Tapping Screw	2	<input type="checkbox"/>
BCS	Backboard to Pole Assembly Hardware		
AAS	1/4" x 2 3/4" Hex Bolt	2	<input type="checkbox"/>
AAC	5.16" x 1 3/4" Hex Bolt	2	<input type="checkbox"/>
ABS	1/2" x 2 5/16" Galvanized Spacer	2	<input type="checkbox"/>
ABK	5/16" Nylock Flange Nut	4	<input type="checkbox"/>
APK	3.5" U-Bolt	1	<input type="checkbox"/>
AAB	1/4" Centerlock Nut	2	<input type="checkbox"/>
ADQ	5/16" x 1" Screw	2	<input type="checkbox"/>
ABD	5/16" Flat Washer	4	<input type="checkbox"/>
AOX	Rim Support Channel	1	<input type="checkbox"/>
BCR	Backboard To Pole Assembly		
AAD	1/2" x 7 1/16" Hex Bolt	4	<input type="checkbox"/>
AAX	1/2" Centerlock Nut	4	<input type="checkbox"/>
ABL	9/16" x .592" Spacer	4	<input type="checkbox"/>
AQW	3/8" x 7" Hex Bolt	1	<input type="checkbox"/>
ABB	3/8" Centerlock Nut	1	<input type="checkbox"/>
ABN	1/2" x 1/8" Plastic Spacer	4	<input type="checkbox"/>

PARTS IDENTIFIER

Parts shown at 10% of Actual Size



ALH (x1)
Top Pole



Warning Sticker

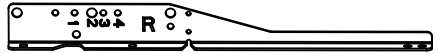
ALF (x1)
Middle Pole



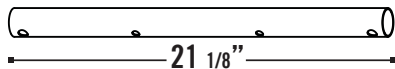
ALE (x1)
Bottom Pole



AJJ (x1)
Left Backboard Bracket



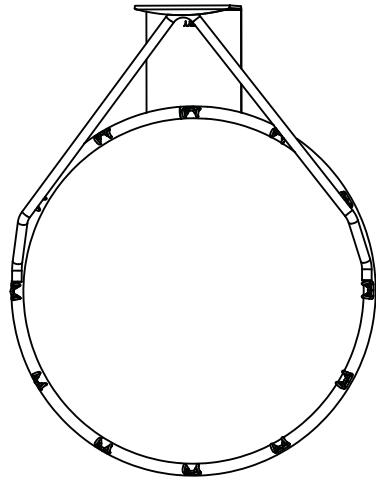
AJK (x1)
Right Backboard Bracket



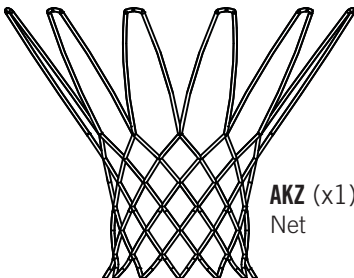
AKC (x2)
Extension Arm



BDL (x1)
Dunk Latch



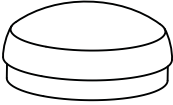
ALX (x1)
Rim



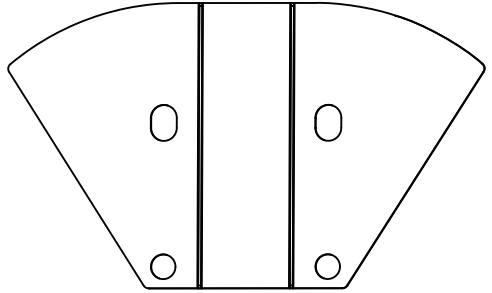
AKZ (x1)
Net

PARTS IDENTIFIER

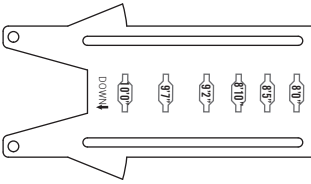
Part shown at 25% of Actual Size



ALM (x1)
Pole Cap

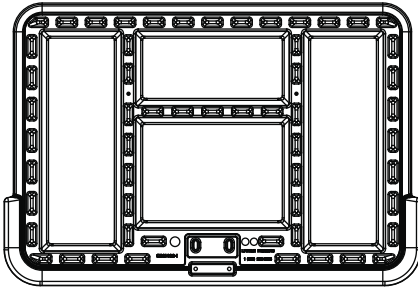


BDM (x1)
Inner Guard



BDN (x1)
Outer Guard

Parts shown at 5% of Actual Size



AJI (x1)
Backboard

HARDWARE



HARDWARE REQUIRED

NO HARDWARE REQUIRED FOR THIS SECTION

PARTS REQUIRED



ALE (x1)
Bottom Pole

TOOLS REQUIRED

Rebar



(3')

Pencil



(1)

Level



(1)

Tape Measure



(1)

Cement Mix



(≈8 Bags, 80 lb each)

Shovel



(1)



TOOLS AND HARDWARE REQUIRED FOR THIS PAGE



(1)



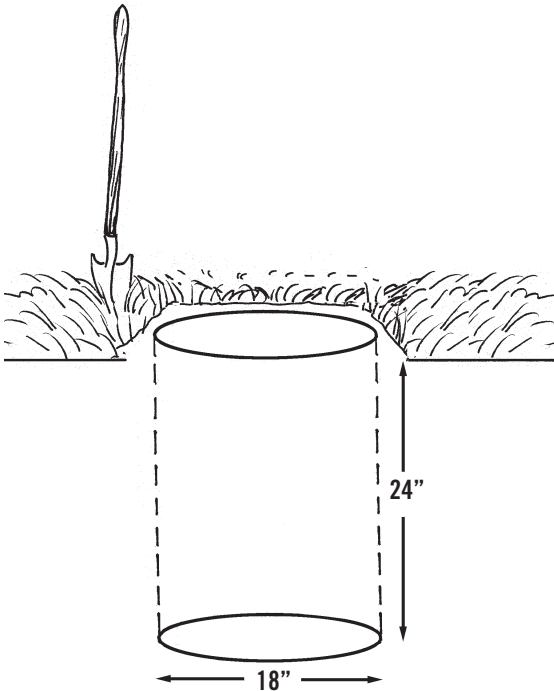
(1)

NO HARDWARE REQUIRED FOR THIS PAGE

SEC

1.1

Dig a round hole 24" deep and 18" in diameter. If you live in an area where frost heaves may pose a problem, consult your local building inspector to determine the proper hole depth. The edge of the hole should be flush with the edge of the playing surface.



Note: A Ground Sleeve is available as an alternative to cementing the Pole into the ground. Please contact Customer Service for more information.



TOOLS AND HARDWARE REQUIRED FOR THIS PAGE



(1)



(1)

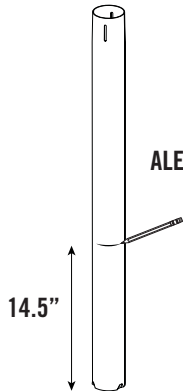


NO HARDWARE REQUIRED FOR THIS PAGE

SEC

1.2

Make a mark 14.5 inches from the dimpled end of the **Bottom Pole (ALE)** (do not scratch the powder coating).



SEC

1.3

Mix 5 1/2 bags of concrete and fill the hole to the top with it. Save a 1/2 bag of concrete for use later.





TOOLS AND HARDWARE REQUIRED FOR THIS PAGE



(1)

NO HARDWARE REQUIRED FOR THIS PAGE

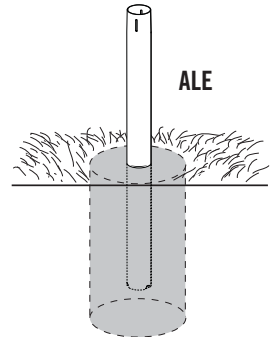
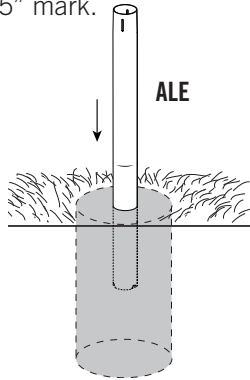
SEC

1.4

Insert the dimpled end of the **Bottom Pole (ALE)** into the center of the cement up to the 14.5" mark.



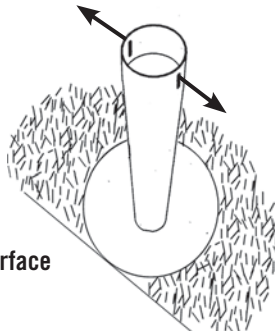
Note: If the pole is buried too deep or too shallow, the rim will not be at the correct height.



SEC

1.5

The slots in the Bottom Pole must be parallel to the playing surface. If necessary, insert a straight object (a ruler, wire, etc.) through the slots in the Bottom Pole and rotate the pole until the object is parallel to the playing surface.



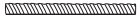
Note: Use a Level to make sure the Bottom Pole is standing vertical. Form the cement into a downward slope away from the pole to allow water runoff. Failure to do so may result in premature rusting of the Pole.



TOOLS AND HARDWARE REQUIRED FOR THIS PAGE



(1)



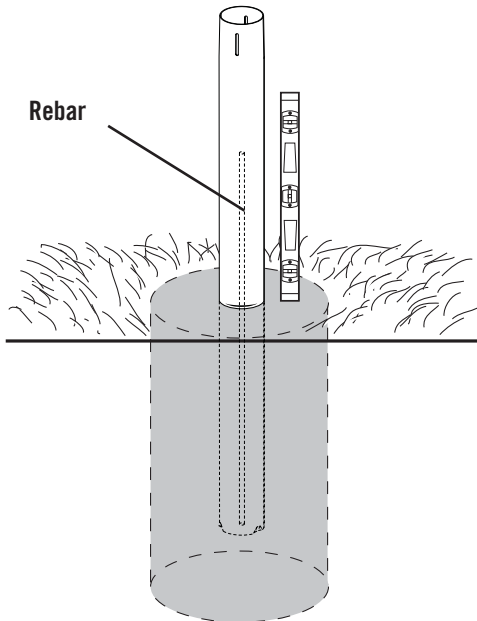
(3')

NO HARDWARE REQUIRED FOR THIS PAGE

SEC

1.6

Insert the 1/2" x 3' rebar (not included) inside the **Bottom Pole (ALE)**. Check the pole several times within the first hour to make sure that all sides are vertical and that the 14.5-inch mark remains level with the playing surface.



WARNING

Do not continue the assembly until the concrete has been allowed to set for 1-4 hours.



TOOLS AND HARDWARE REQUIRED FOR THIS PAGE

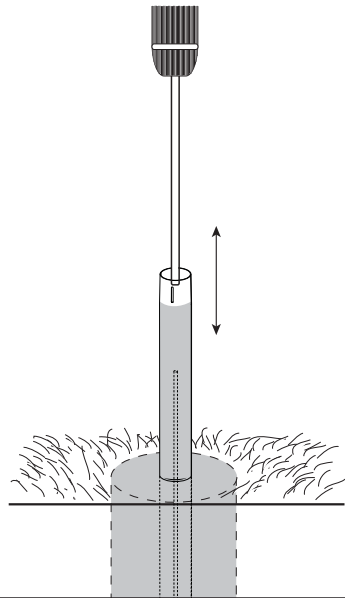
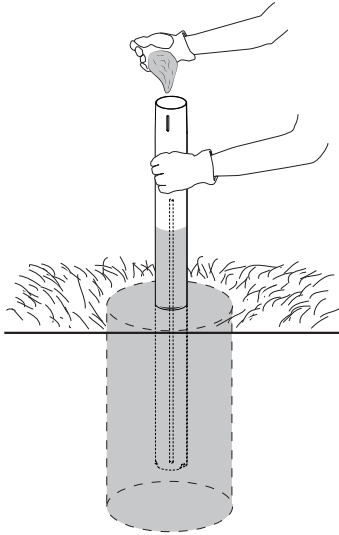


NO HARDWARE REQUIRED FOR THIS PAGE

SEC

1.7

Mix the remaining 1/2 bag of concrete and pour the concrete into the **Bottom Pole (ALE)** until it is just below the slots in the top of the pole. Then tamp the concrete down in the **Bottom Pole (ALE)** with a broom handle to remove any air pockets. Remember to clean all excess concrete off the outside surface and inside surface of the pole.



!

Note: Do not overfill the pole or you may not be able to assemble the rest of the pole sections.



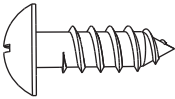
WARNING

Stop assembly now. Do not continue the assembly until the concrete has been allowed to set for at least 72 hours (3 days). In humid climates or wet weather, allow more time for the concrete to cure. Do not proceed until the curing process is complete.

SEC 2 POLE ASSEMBLY

HARDWARE REQUIRED

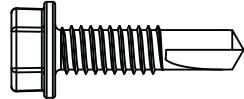
Hardware shown at Actual Size



ADS (x1)
1/4" x 3/4" Screw



CIH (x1)
Domed Countersink Washer

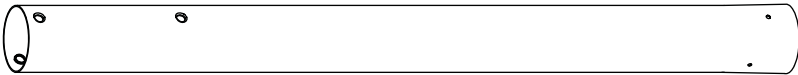


ABZ (x1)
#14 x 1" Self-Tapping Screw

*Only one of the Domed Countersink Washers (CIH), #14 x 1" Self-Tapping Screws (ABZ) and 1/4" x 3/4" Screws (ADS) will be used in this section. The remaining hardware will be used later in the assembly.

PARTS REQUIRED

Parts shown at 10% of Actual Size



ALH (x1)
Top Pole



ALF (x1)
Middle Pole

Warning Sticker

TOOLS REQUIRED

Phillips Screwdriver



(1)

Electric Drill



(1)

Wood Block



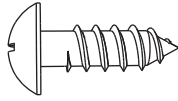
(1)



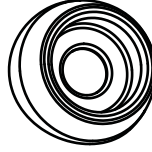
TOOLS AND HARDWARE REQUIRED FOR THIS PAGE



(1)



ADS (x1)

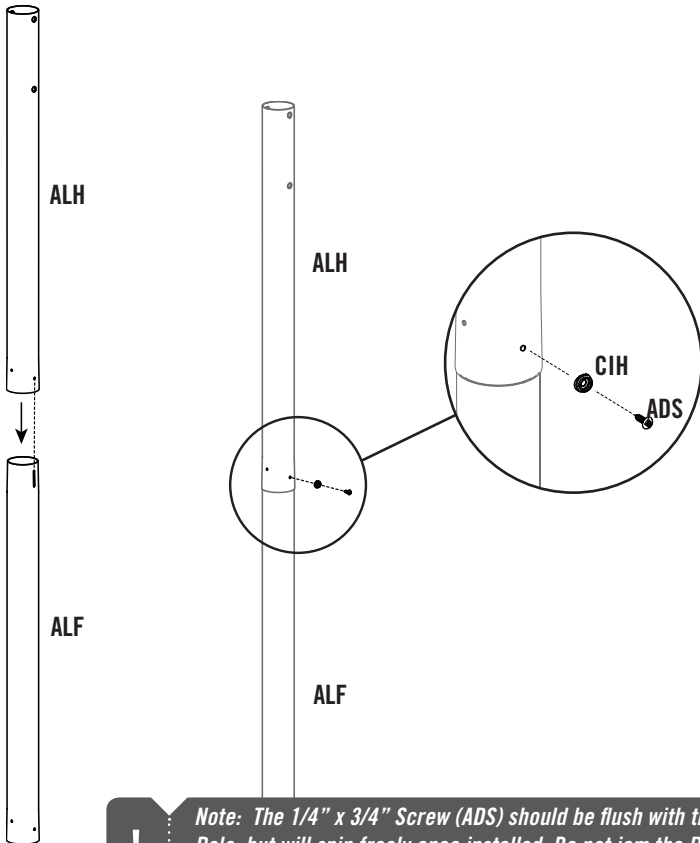


CIH (x1)

SEC

2.1

Align the small hole in the **Top Pole (ALH)** with the slot in the **Middle Pole (ALF)** and slide the Top Pole over the Middle Pole. Secure the Poles together with a **Domed Countersink Washer (CIH)** and **1/4" x 3/4" Screw (ADS)**.



Note: The 1/4" x 3/4" Screw (ADS) should be flush with the Pole, but will spin freely once installed. Do not jam the Poles together until instructed.



TOOLS AND HARDWARE REQUIRED FOR THIS PAGE



(1)

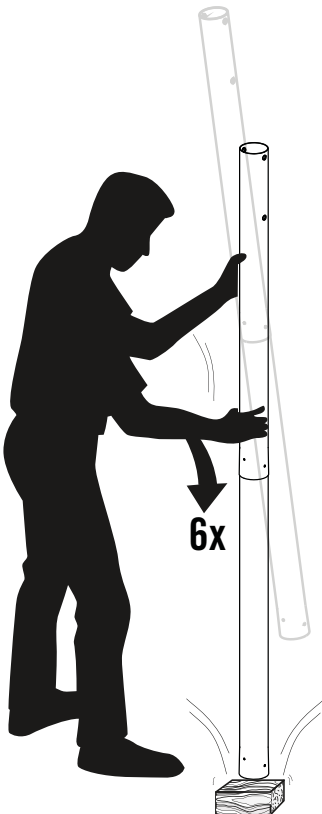
NO HARDWARE REQUIRED FOR THIS PAGE

SEC

2.2

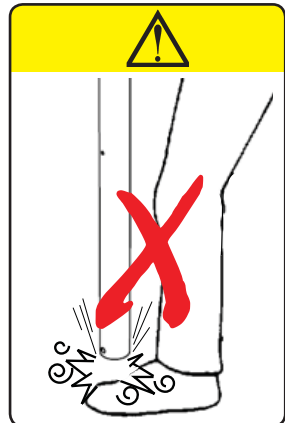
In order to seat the Poles, strike the end of the pole very hard 5 to 6 times on the Wood Block. This must be done even if the Pole covers the slots before seating.

If the Top Pole does not completely cover the slots on the **Middle Pole (ALF)** after seating, **DO NOT COMPLETE ASSEMBLY**. Call our Customer Service Department.



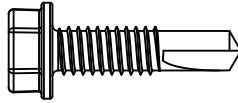
WARNING

The Poles must be seated together! Even if the Poles cover the slots before seating, they must be struck on a hard surface five to six times! Failure to seat the Poles correctly could allow the Poles to separate during use, which could lead to serious personal injuries or property damage.





TOOLS AND HARDWARE REQUIRED FOR THIS PAGE

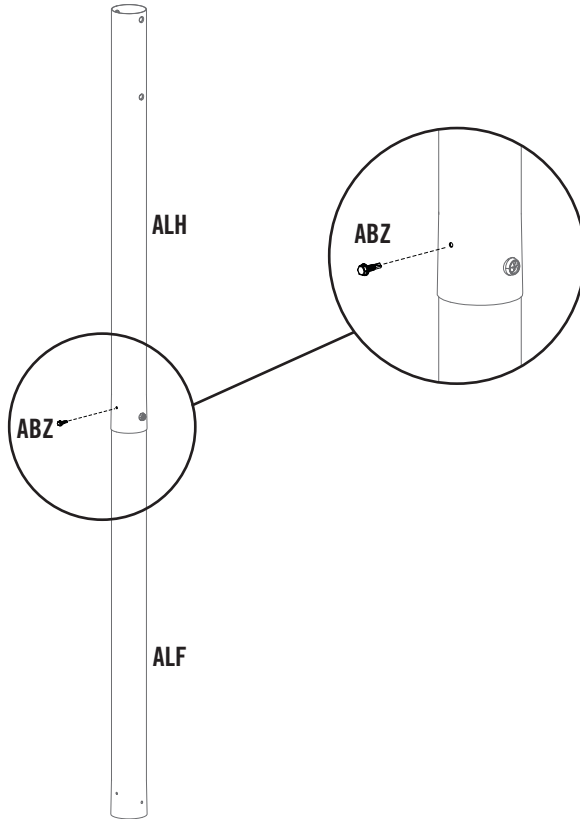


ABZ (x1)

SEC

2.3

After the Poles have been seated, insert two #14 x 1" Self-Tapping Screws (ABZ) into the Pole as shown.



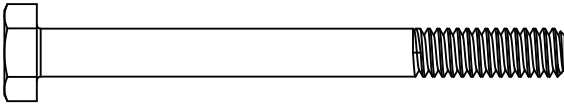
Note: Chuck the #14 x 1" Self-Drilling Screw (ABZ) directly into an Electric Drill for easy installation, or use a 3/8" Hex Driver.

SEC 3

BACKBOARD TO RIM ASSEMBLY

HARDWARE REQUIRED

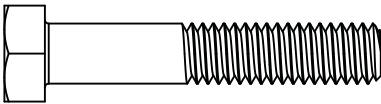
Hardware shown at Actual Size



AAS (x2)
1/4" x 2 3/4" Hex Bolt



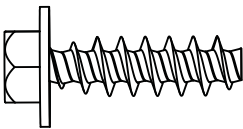
ABK (x4)
5/16" Nylonlock
Flange Nut



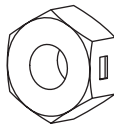
AAC (x2)
5/16" x 1 3/4" Hex Bolt



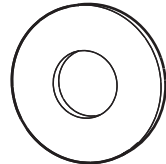
ABS (x2)
1/2" x 2 5/16" Galvanized Spacer



ADQ (x2)
5/16" x 1" Screw



AAB (x2)
1/4" Centerlock Nut

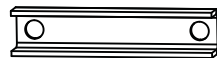


ABD (x2)
5/16" Flat Washer

Hardware shown at 25% of Actual Size



APK (x1)
U-Bolt



AOX (x1)
Rim Support Channel

SEC 3 BACKBOARD TO RIM ASSEMBLY

PARTS REQUIRED

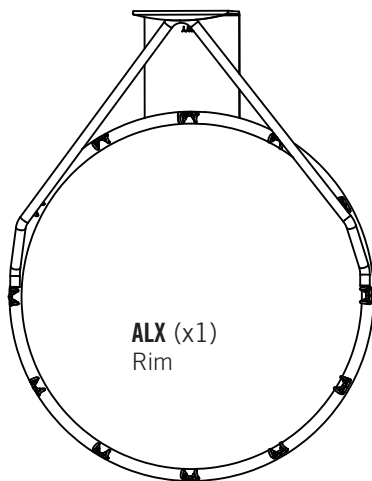
Parts shown at 10% of Actual Size



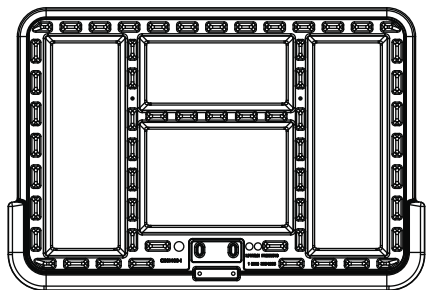
AJJ (x1)
Left Backboard Bracket



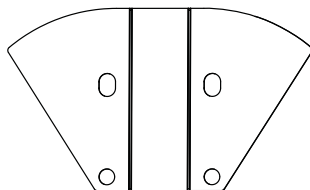
AJK (x1)
Right Backboard Bracket



Part shown at 5% of Actual Size



AJI (x1)
Backboard



BDM (x1)
Inner Guard

TOOLS REQUIRED

3/8" Wrench



(1)

7/16" Wrench



(2)

1/2" Wrench



(2)

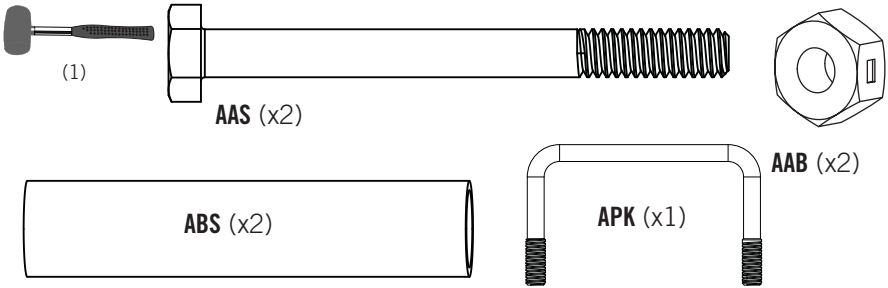
Rubber Mallet



(1)



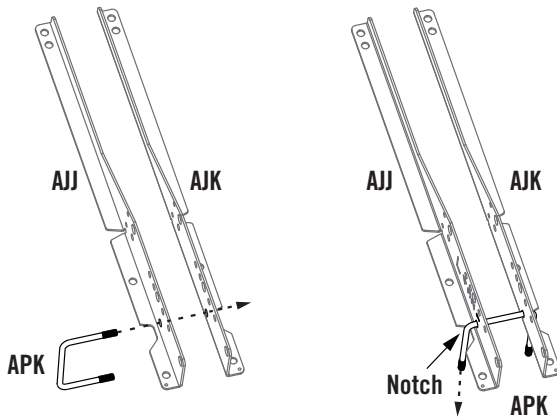
TOOLS AND HARDWARE REQUIRED FOR THIS PAGE



SEC

3.1

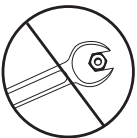
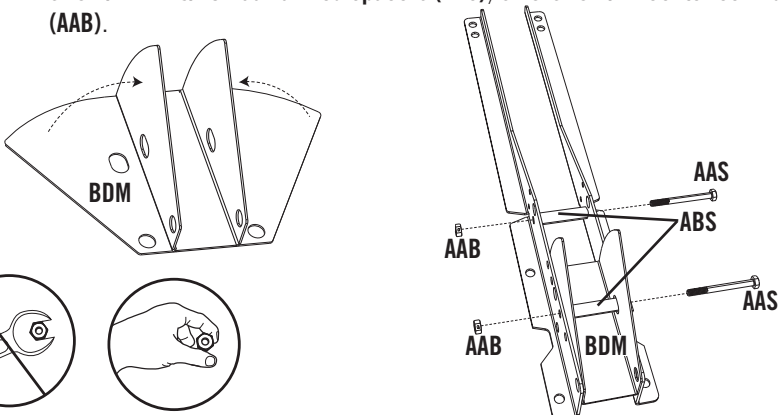
Slide the **U-Bolt (APK)** through the **Left and Right Backboard Brackets (AJJ & AJK)**. The U-Bolt must rest in the notches of the Backboard Brackets as shown.



SEC

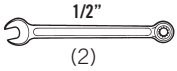
3.2

Fold up the sides of the **Inner Guard (BDM)** and place it between the Backboard Brackets as shown. Hand secure the Backboard Brackets to the Inner Guard by using two **1/4" x 2 3/4" Hex Bolts (AAS)**, two **1/2" x 2 5/16" Galvanized Spacers (ABS)**, and two **1/4" Centerlock Nuts (AAB)**.

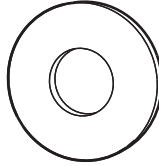




TOOLS AND HARDWARE REQUIRED FOR THIS PAGE



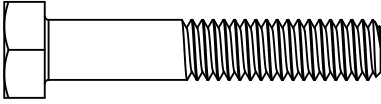
AOX (x1)



ABD (x4)



ABK (x4)

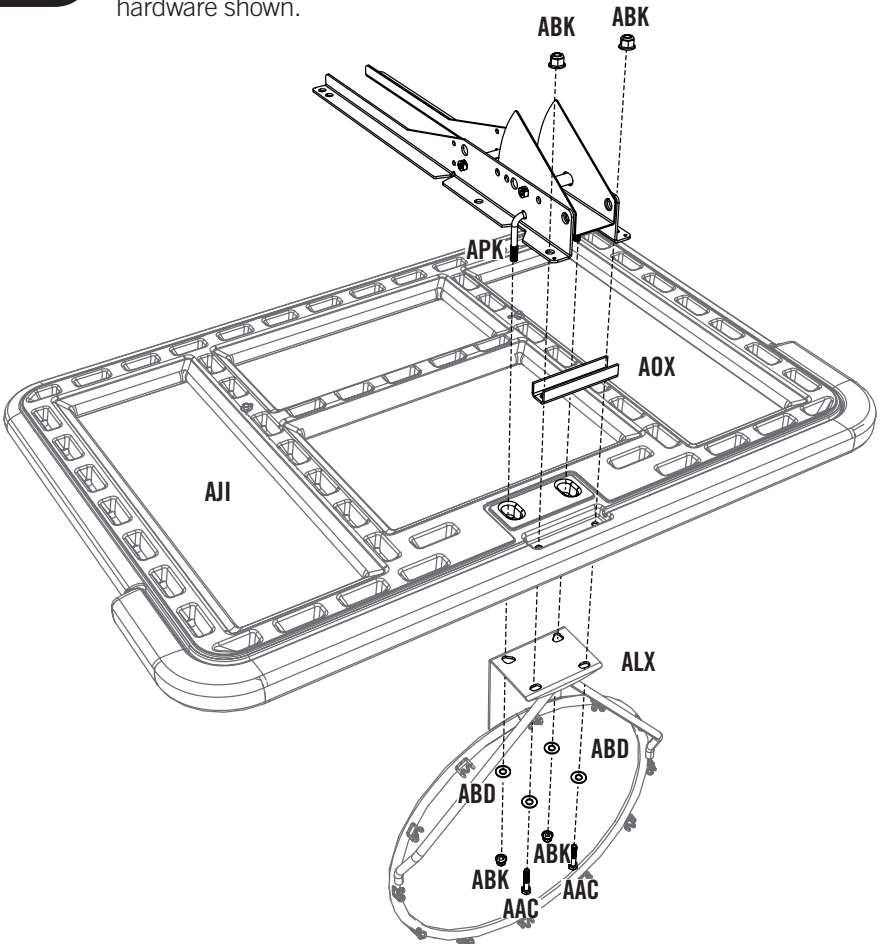


AAC (x2)

SEC

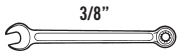
3.3

Place the **Rim Support Channel (AOX)** and the **Backboard Bracket Assembly** into the **Backboard (AJI)**, then secure the **Rim (ALX)** with the hardware shown.



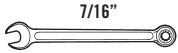


TOOLS AND HARDWARE REQUIRED FOR THIS PAGE



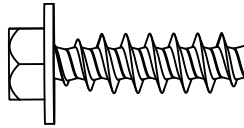
3/8"

(1)



7/16"

(2)

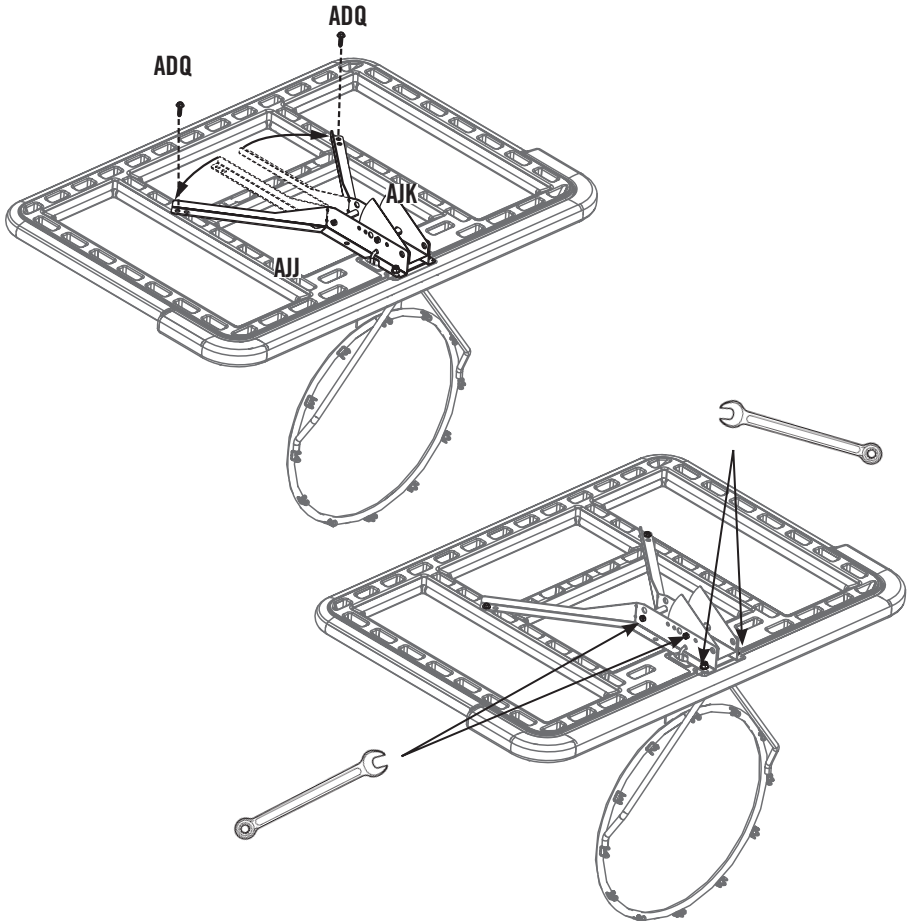


ADQ (x2)

SEC

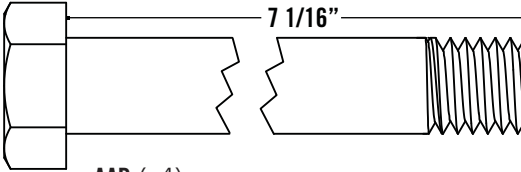
3.4

Bend the **Backboard Brackets (AJK & AJJ)** out by hand. Then attach the **5/16" x 2 1/4" Screws (ADQ)** through the top holes in the Backboard Brackets and into the Backboard. Use wrenches to tighten the hardware indicated.

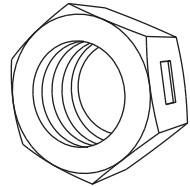


HARDWARE REQUIRED

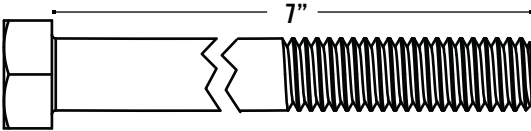
Hardware shown at Actual Size



AAD (x4)
1/2" x 7 1/16" Hex Bolt



AAX (x4)
1/2" Centerlock Nut



AQW (x1)
3/8" x 7" Hex Bolt

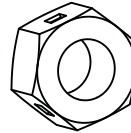
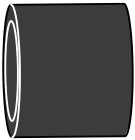
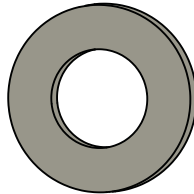


ABB (x1)
3/8" Centerlock Nut



ABL (x4)
9/16" x .592" Poly Spacer

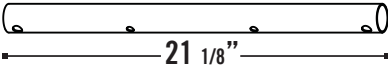


ABN (x4)
1/2" x 1/8" Spacer

BACKBOARD TO POLE ASSEMBLY

PARTS REQUIRED

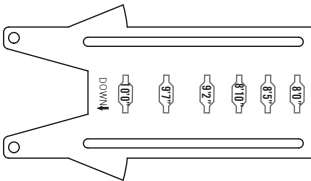
Parts shown at 10% of Actual Size



AKC (x4)
Extension Arm



BDL (x1)
Dunk Latch



BDN (x1)
Outer Guard

TOOLS REQUIRED

9/16" Wrench



(2)

3/4" Wrench



(2)

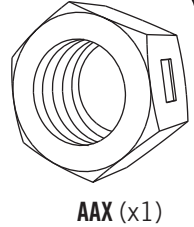
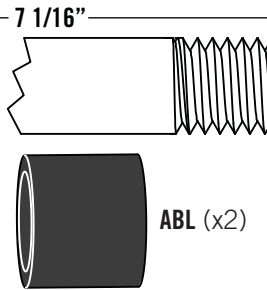
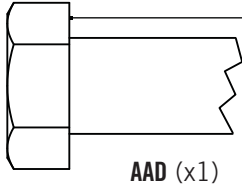
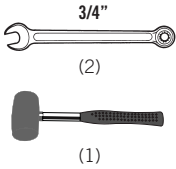
Rubber Mallet



(1)



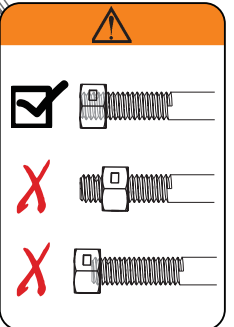
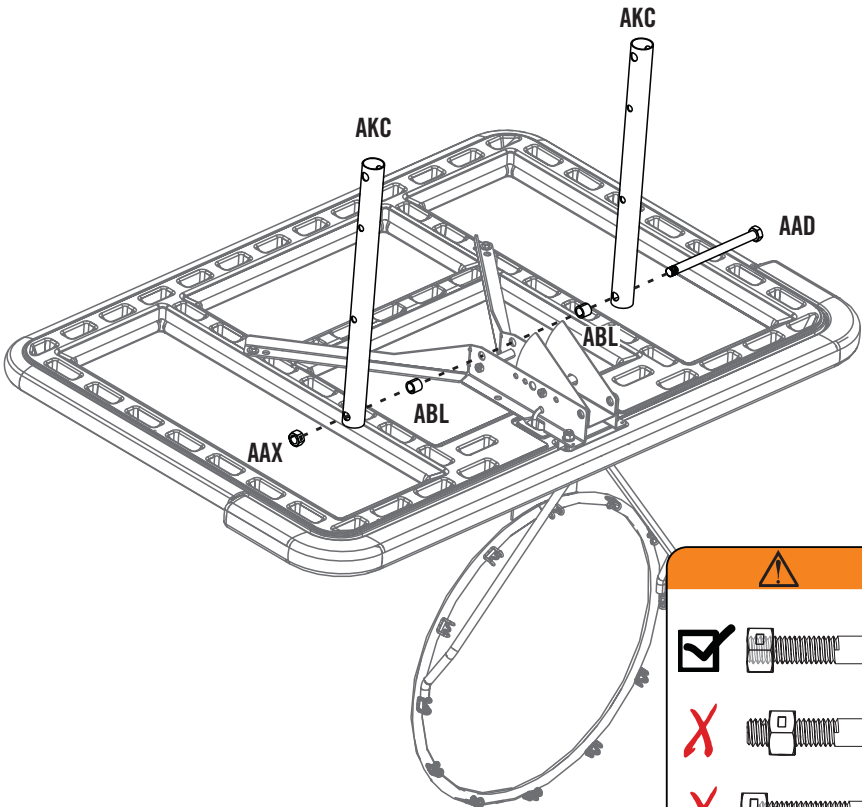
TOOLS AND HARDWARE REQUIRED FOR THIS PAGE



SEC

4.1

Slide the 1/2" x 7 1/16" Hex Bolt (AAD) through the Extension Arms (AKC), 9/16" x .592" Spacers (ABL) and Backboard Brackets (AJK & AJI) as shown. Secure them with 1/2" Centerlock Nut (AAX). Tighten the Nut until it is flush with the end of the Bolt.





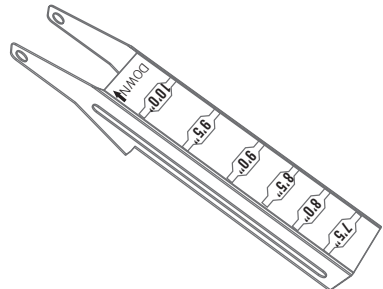
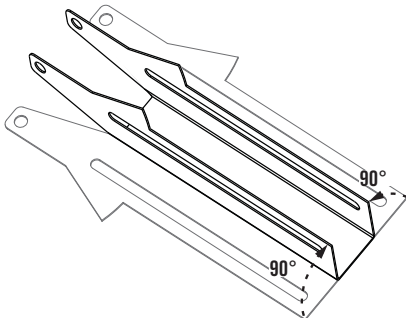
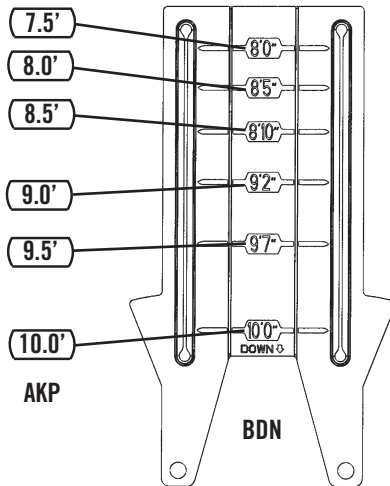
TOOLS AND HARDWARE REQUIRED FOR THIS PAGE

NO HARDWARE REQUIRED FOR THIS PAGE

SEC

4.2

The height measurements on the **Outer Guard (BDN)** are incorrect for this model. For the correct measurements, place the **Height Sticker (AKP)** included with this unit on the Outer Guard in the positions shown. Make sure the sticker covers the measurements molded in the Guard. Then fold up the edges of **Outer Guard (BDN)**.





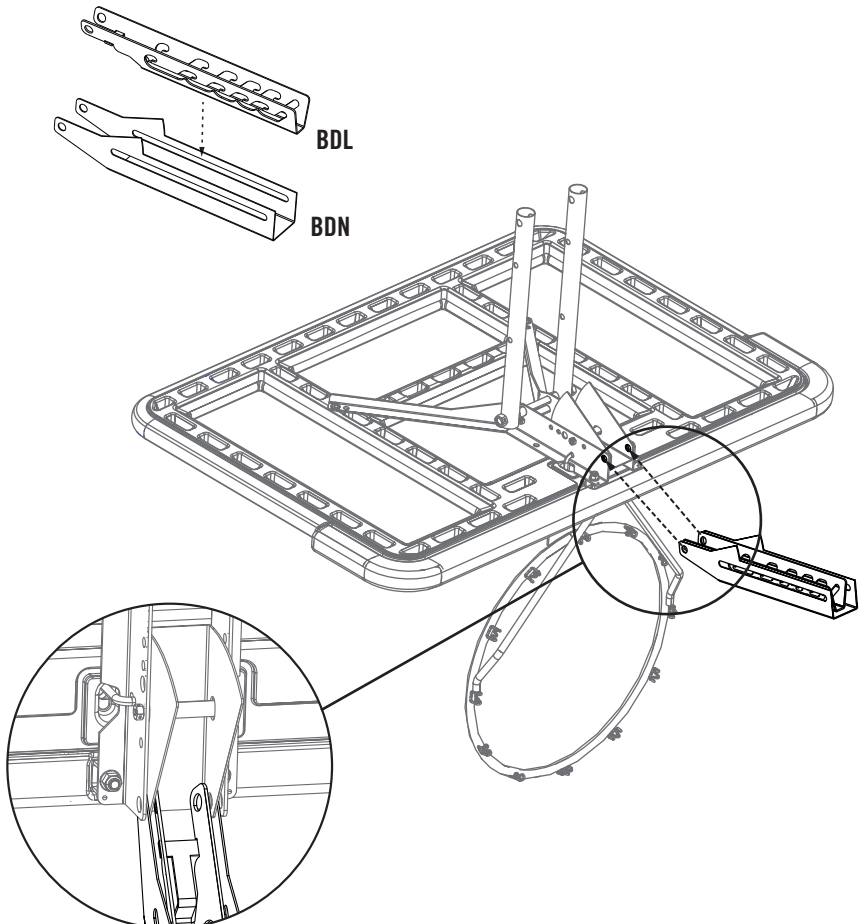
TOOLS AND HARDWARE REQUIRED FOR THIS PAGE

NO HARDWARE REQUIRED FOR THIS PAGE

SEC

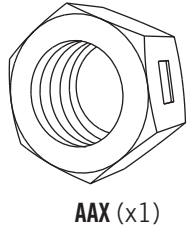
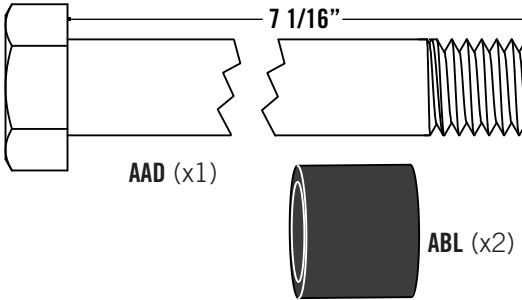
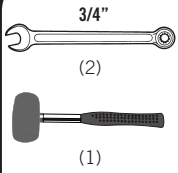
4.3

Place the **Dunk Latch (BDL)** into the **Outer Guard (BDN)**. Then insert them between **Backboard Brackets (AJK & AJJ)** and the **Inner Guard (BDM)**.





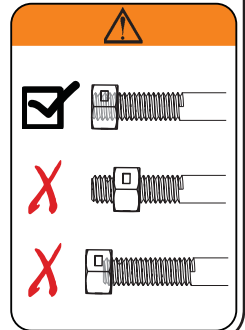
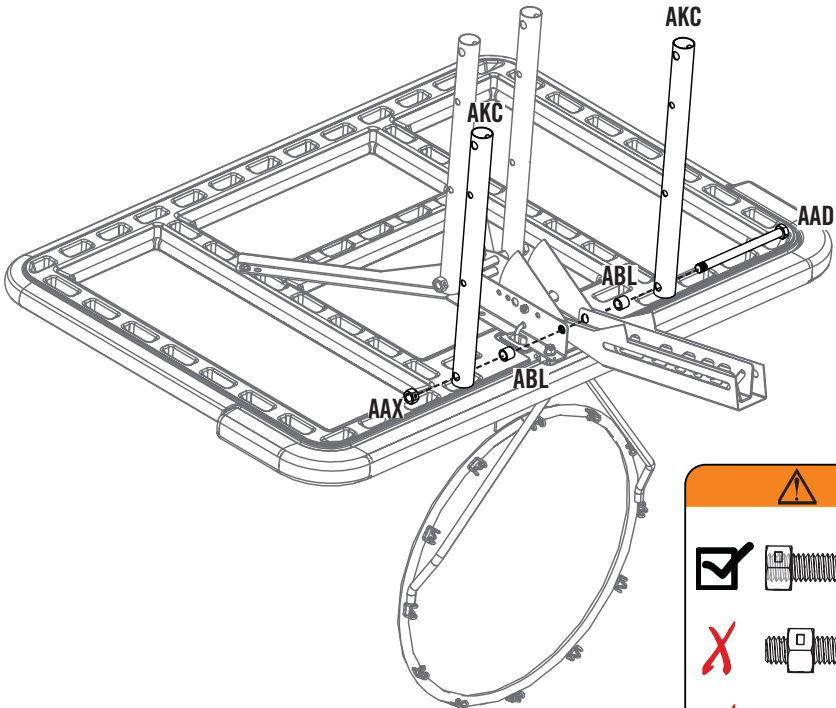
TOOLS AND HARDWARE REQUIRED FOR THIS PAGE



SEC

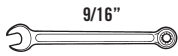
4.4

Slide the **1/2" x 7 1/16" Hex Bolt (AAD)** through the **Extension Arms (AKC)**, **9/16" x .592" Spacers (ABL)** and **Backboard Brackets (AJK & AJJ)** as shown. Secure them with **1/2" Centerlock Nut (AAX)**. Tighten the Nut until it is flush with the end of the Bolt.





TOOLS AND HARDWARE REQUIRED FOR THIS PAGE

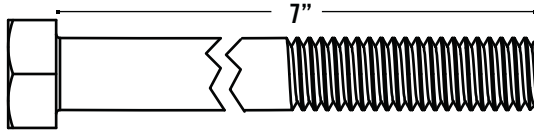


9/16"

(2)



(1)



AQW (x1)

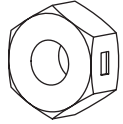
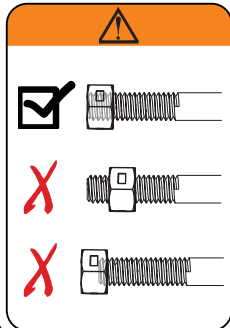
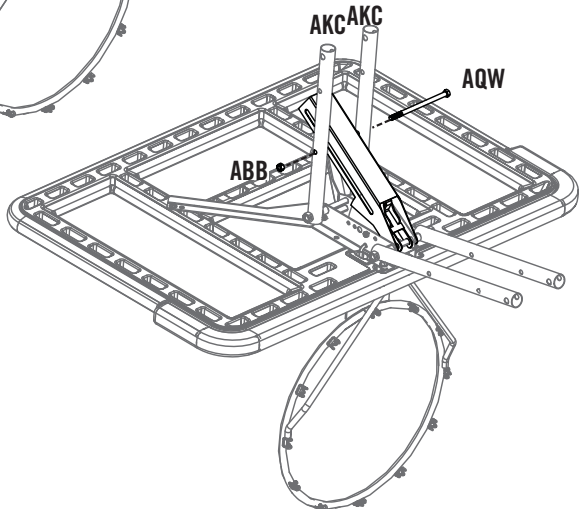
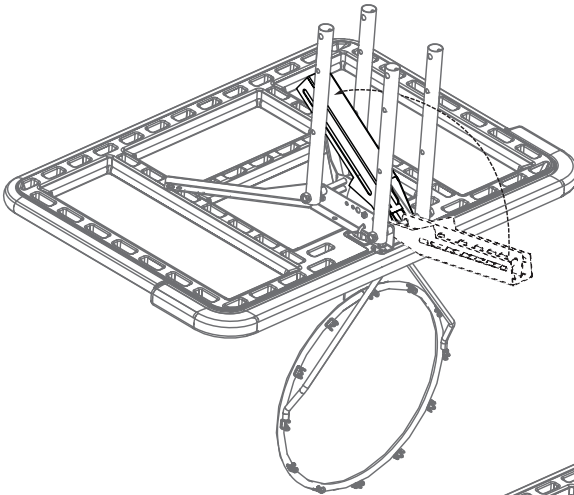


ABB (x1)

SEC

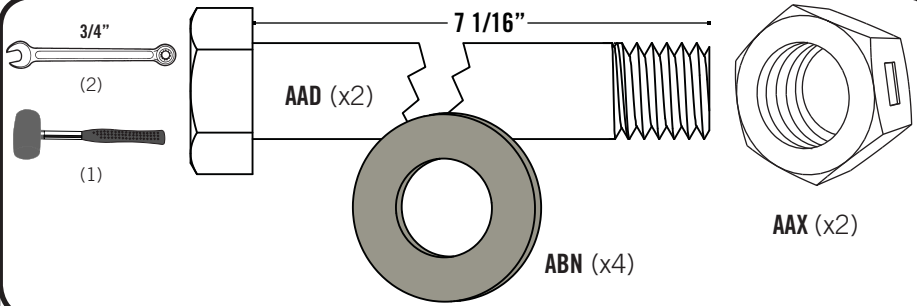
4.5

Lift the **Dunk Latch (BDL)** and **Outer Guard (BDN)** so the slots line up with the hole in the upper **Extension Arms (AKC)** closest to the backboard. Secure them with **3/8" x 7" Hex Bolt (AQW)** and **3/8" Centerlock Nut (ABB)**. Tighten the Nut until it is flush with the end of the Bolt.





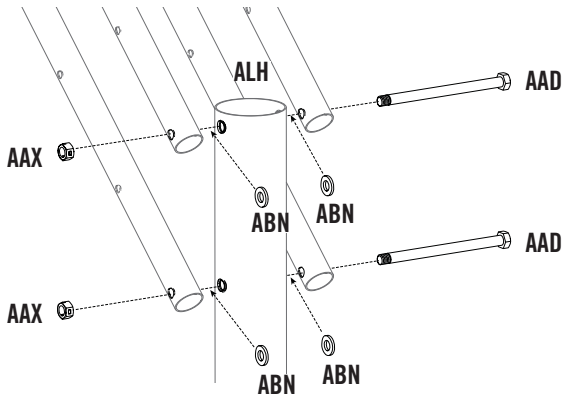
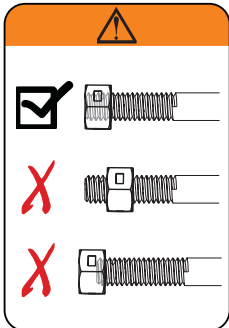
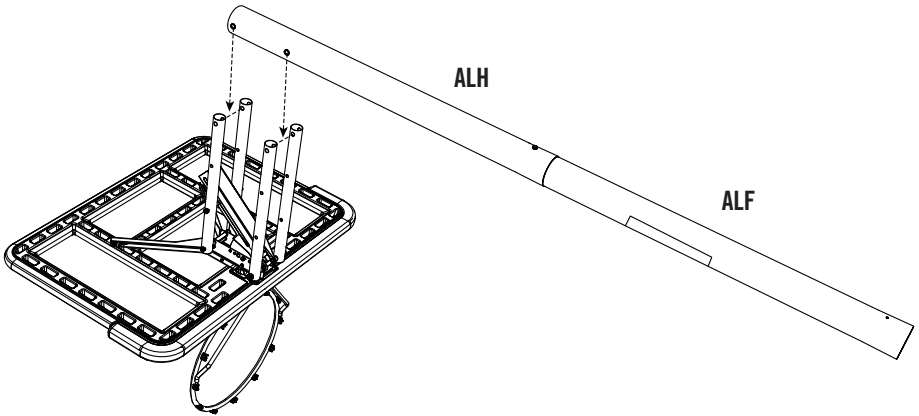
TOOLS AND HARDWARE REQUIRED FOR THIS PAGE



SEC

4.6

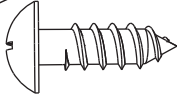
Align the holes in the **Top Pole (ALH)** to the holes in the end of **Extension Arms (AKC)**. The Warning Sticker on the **Middle Pole (ALF)** should face the same way as the Backboard. Then secure them with **1/2" x 7 1/16" Hex Bolts (AAD)**, **1/2" x 1/8" Poly Spacers (ABN)** and **1/2" Centerlock Nuts (AAX)**. Tighten the Nuts until they are flush with ends of the Bolts.



SEC 5 FINAL ASSEMBLY

HARDWARE REQUIRED

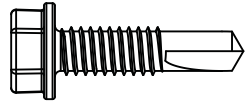
Hardware shown at Actual Size



ADS (x1)
1/4" x 3/4"



CIH (x1)
Domed Countersink Washer

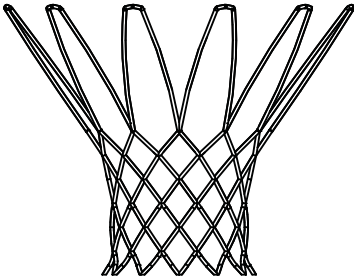


ABZ (x1)
#14 x 1" Self-Tapping Screw

*Hardware for this Section taken from Section 2

PARTS REQUIRED

Parts shown at 10% of Actual Size



AKZ (x1)
Net

Parts shown at 25% of Actual Size



ALM (x1)
Pole Cap

TOOLS REQUIRED

Rubber Mallet



(1)

Electric Drill



(1)

Ladder



(1)

Phillips Screwdriver



(1)

Wood Block



(1)



TOOLS AND HARDWARE REQUIRED FOR THIS PAGE

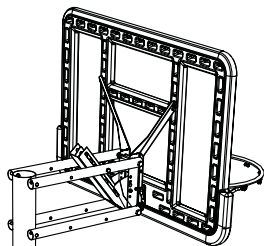
NO HARDWARE REQUIRED FOR THIS PAGE

AT LEAST THREE ADULTS ARE REQUIRED. DO NOT ATTEMPT ASSEMBLY WITH FEWER THAN THREE ADULTS.

SEC

5.1

BEFORE CONTINUING: It is critical that the instructions in the following steps are followed exactly. Failure to properly orient and align the pole sections will render the pole unusable. If the pole sections are assembled incorrectly, you will have to purchase new pole sections from our Customer Service Department. If you have questions regarding the pole assembly, please call our Customer Service Department for assistance.



With the Backboard facing the playing surface, align the small holes in the **Middle Pole (ALF)** with the slot in the **Bottom Pole (ALE)**. Carefully slide the Top/Middle Pole assembly over the Bottom Pole.



WARNING

Use extreme caution when standing on ladders to perform assembly steps. Follow all warnings and cautions on the ladder. Failure to follow all of these instructions and warnings could lead to serious personal injury or property damage.

ALF

ALE

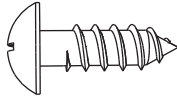
Playing Surface



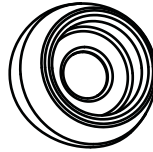
TOOLS AND HARDWARE REQUIRED FOR THIS PAGE



(1)



ADS (x1)

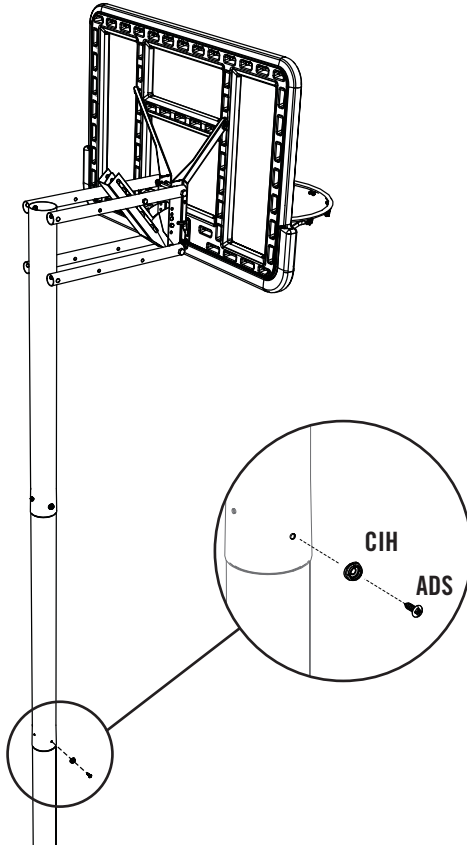


CIH (x1)

SEC

5.2

Insert the remaining **1/4" x 3/4" Screw (ADS)** and **Domed Countersink Washer (CIH)** as shown.



Note: The 1/4" x 3/4" Screw (ADS) should be flush with the Pole, but will spin freely once installed. Do not jam the Poles together until instructed.



TOOLS AND HARDWARE REQUIRED FOR THIS PAGE



(1)



(1)



(1)

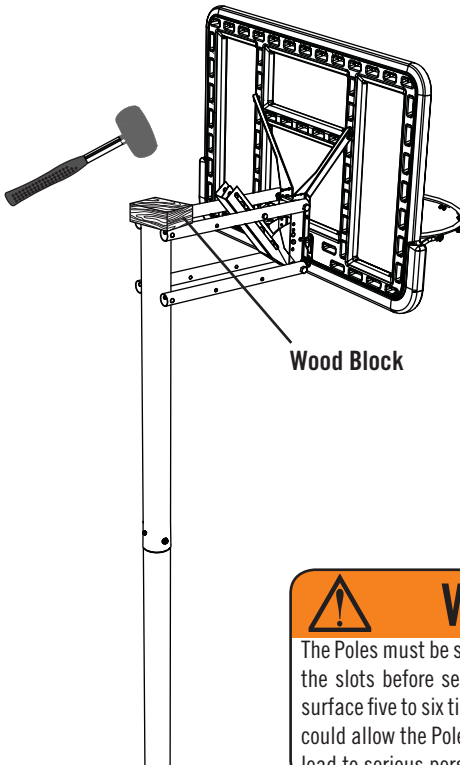
NO HARDWARE REQUIRED FOR THIS PAGE

SEC

5.3

While two people continue to hold the assembly in place, set the **Wood Block** on top of the Pole and strike it firmly 5-6 times with a hammer or mallet. **You must have wood on top of the Pole before hitting it with a hammer to prevent scratching the powder coating.**

If the **Middle Pole (ALF)** does not completely cover the slots on the **Bottom Pole (ALE)** after seating, **DO NOT COMPLETE ASSEMBLY**. Call our Customer Service Department.



WARNING

The Poles must be seated together! Even if the Poles cover the slots before seating, they must be struck on a hard surface five to six times! Failure to seat the Poles correctly could allow the Poles to separate during use, which could lead to serious personal injuries or property damage.



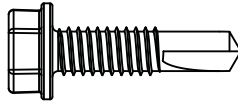
TOOLS AND HARDWARE REQUIRED FOR THIS PAGE



(1)



(1)

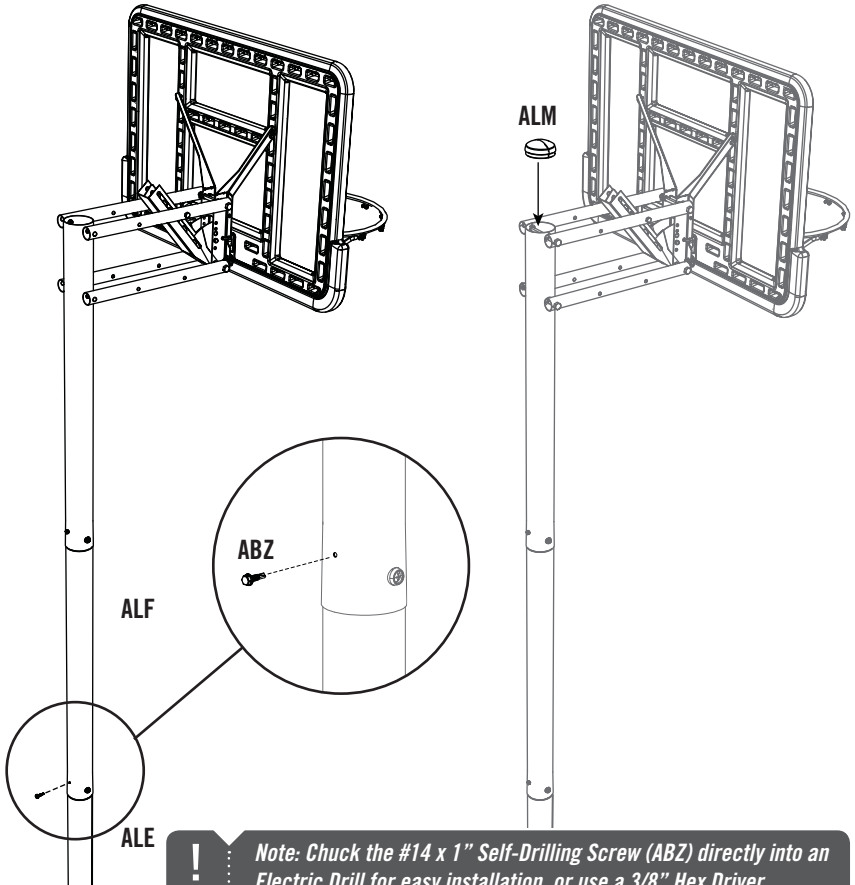


ABZ (x1)

SEC

5.4

After the Poles have been seated, insert two **#14 x 1" Self-Tapping Screws (ABZ)** into the Pole as shown. Then insert the **Pole Cap (ALM)** to the Top Pole.



Note: Chuck the #14 x 1" Self-Drilling Screw (ABZ) directly into an Electric Drill for easy installation, or use a 3/8" Hex Driver.



TOOLS AND HARDWARE REQUIRED FOR THIS PAGE



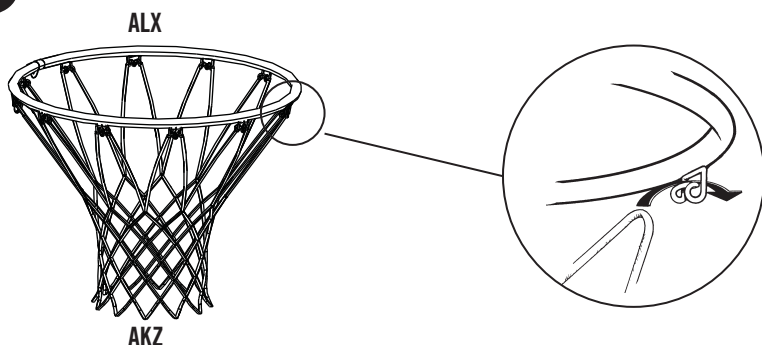
(1)

NO HARDWARE REQUIRED FOR THIS PAGE

SEC

5.5

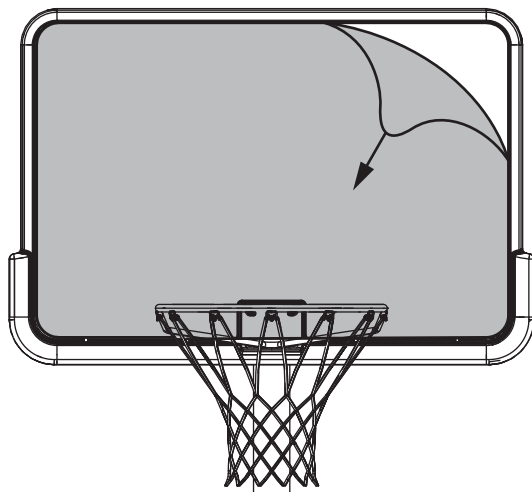
Attach the **Net (AKZ)**.



SEC

5.6

Remove protective plastic.



OPERATION OF THE HEIGHT ADJUSTMENT

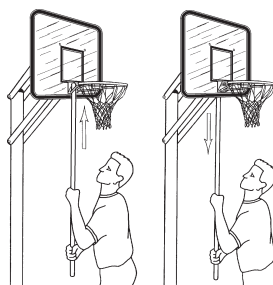
The **QUICK ADJUST** system may be adjusted from 7 1/2 feet to 10 feet in 6-inch increments.

TO RAISE THE GOAL:

- Place the end of a broomstick under the Rim plate (in front of the Backboard) as shown.
- Push up until the desired height is reached. The system will automatically lock in place.

TO LOWER THE GOAL:

- Place the end of a broomstick into the release box (behind the Backboard) as shown.
- Push up to release the Mechanism, and slowly lower the Rim.



RAISE

LOWER

POLE CARE AND SYSTEM MAINTENANCE

The life of your basketball system depends on many variables. The climate, exposure to corrosives such as salt, pesticides, or herbicides, and excessive use or misuse can all contribute to Pole failure, which may cause property damage or personal injury.

Check your basketball system frequently for loose hardware, excessive wear, and signs of corrosion. For safety reasons, and to prolong the life of your basketball system, you must take the following preventive measures.

- Check all Nuts and Bolts. If any are loose, tighten them.
- Check all parts for excessive wear and tear. If necessary, replace any parts that have been worn or damaged through usage. Contact our Customer Service Department for replacement parts.
- Inspect the Warning Sticker on the Pole. If it is ripped, faded, or illegible, call our Customer Service Department to request a replacement Sticker.
- Check all Pole sections for visible rust or chipped or cracked paint. If either are present, do the following:
 - Use an emery cloth to completely remove any rust or chipped paint.
 - Clean the area with a damp cloth and allow it to dry.
 - Apply two coats of a rust preventative, high gloss enamel paint to the area. Allow the paint to dry between coats.

IF RUST HAS PENETRATED THROUGH THE POLE ANYWHERE, REPLACE IT IMMEDIATELY!



WARNING



FAILURE TO FOLLOW THESE WARNINGS MAY RESULT IN SERIOUS INJURY AND/OR PROPERTY DAMAGE.

Owners must ensure that all players know and follow these rules for safe operation of the system.

- Only hang from the rim briefly to regain balance or avoid injuring others. Release the rim as soon as safely possible.
- During play, especially when performing dunk type activities, keep player's face away from the backboard, rim, and net.
- Serious injury could occur if teeth/face come in contact with the backboard, rim, or net. Player should wear a mouth guard during play.
- Do not slide, climb, or play on pole.
- When adjusting height or moving system, keep hands and fingers away from moving parts.
- Do not allow children to move or adjust system.
- Do not wear jewelry (rings, watches, necklaces, etc.) during play. Objects may entangle in net.

- Keep organic material away from pole base. Grass, litter, etc. could cause corrosion and/or deterioration.
- Once a month check pole and all metal parts for signs of corrosion (rust, pitting, chipping). Completely remove rust and repaint with exterior enamel. If rust has penetrated any steel part, replace that part immediately.
- Check system before each use for loose hardware, excessive wear, instability, and signs of corrosion and repair before use.
- Never play on damaged equipment.
- Do not use the system to lift or hoist anything. The mechanism is designed to lift only the weight of the backboard and rim. Do not hang anything from the handle, rim backboard, or lifter arms as this will damage the system and void the warranty.



ADVERTENCIA



AVERTISSEMENT



SI NO SE OBEDECEN ESTAS ADVERTENCIAS PUEDEN PRODUCIRSE GRAVES LESIONES Y/O DAÑOS A LA PROPIEDAD.

El propietario del sistema debe asegurarse de que todos los jugadores conozcan y respeten estas reglas para que el sistema se use en forma segura.

- Cuélguese del aro sólo en forma breve, para recuperar el equilibrio o evitar lesionar a otros jugadores. Suéltese del aro lo más pronto que pueda hacerlo con seguridad.
- Durante el juego, especialmente al embocar violentamente de alto, la cara de los jugadores debe mantenerse alejada del tablero, el aro y la red. Pueden producirse lesiones graves si los dientes o la cara entran en contacto con el tablero, el aro o la red. Los jugadores deben usar un protector bucal durante el juego.
- No se deslice, no trepe ni juegue sobre el poste.
- Mantenga las manos y los dedos alejados de las piezas móviles cuando regule la altura del sistema.
- No deje que los niños regulen el sistema.
- No use joyas (anillos, relojes, collares o gargantillas, etc.) durante el juego. Estos objetos pueden engancharse en la red.
- No permita que la base del poste entre en contacto con materiales orgánicos. El pasto, los desechos animales, etc., pueden causar corrosión y/o deterioros.
- Controle el poste y todas las piezas metálicas una vez al mes en busca de signos visibles de corrosión (oxidación, picaduras, escamado). Elimine todo rastro de óxido y vuelva a pintar con esmalte para exteriores. Si el óxido ha penetrado cualquier pieza de acero, reemplace esa pieza de inmediato.
- Inspeccione el sistema antes de cada uso para verificar que los elementos de fijación no estén flojos, que no haya desgaste excesivo, inestabilidad ni signos de corrosión. Si encuentra irregularidades, repárelas antes de usar el sistema.
- Nunca juegue con un equipo dañado.
- No use el sistema para levantar ningún objeto. El mecanismo está diseñado para elevar solamente el peso del tablero con el aro. No cuelgue nada de la agarradera, el aro, el tablero ni los brazos de elevación, ya que esto puede dañar el sistema y anular la garantía.

FAUTE DE NE PAS SUIVRE CES AVERTISSEMENTS, VOUS RISQUEZ DE CAUSER DES BLESSURES GRAVES ET/OU DES DOMMAGES À L'ÉQUIPEMENT.

Le propriétaire doit s'assurer que tous les joueurs connaissent et appliquent les règles suivantes afin d'utiliser l'équipement en toute sécurité.

- Ne vous suspendez pas à l'anneau plus que nécessaire pour retrouver votre équilibre ou éviter de blesser les autres joueurs. Relâchez l'anneau aussitôt que possible.
- Lors d'un match, particulièrement dans le cas des smashes, le visage du joueur ne doit pas faire face au panneau, à l'anneau, ni au filet. Le joueur risque de graves blessures si ses dents ou son visage entrent en contact avec le panneau, l'anneau, ou le filet. Les joueurs doivent toujours porter un protège-dents lorsqu'ils jouent.
- Ne glissez pas, ne grimpez pas, et ne jouez pas sur la base ou le poteau.
- Lorsque vous ajustez la hauteur ou l'équipement, gardez vos mains et doigts loin des pièces mobiles.
- N'autorisez pas les enfants à ajuster l'équipement.
- Ne portez pas de bijoux (bagues, montres, colliers, etc.) lorsque vous jouez. Ces objets pourraient s'accrocher au filet.
- Gardez la base du poteau libre de toute matière organique. L'herbe, les déchets, etc. peuvent la corroder et la détériorer.
- Une fois par mois, vérifiez que le poteau et toutes les pièces en métal ne montrent pas de signes de corrosion (rouille, piqûres, écaillage). Enlevez toute la rouille et peignez complètement avec une peinture pour extérieur. Si la rouille a pénétré une des pièces en acier, vous devrez remplacer immédiatement la pièce en question.
- A chaque fois que vous allez utiliser l'équipement, vérifiez d'abord l'équilibre, la possibilité de pièces desserrées ou usées, la stabilité de l'équipement et tout signe de corrosion ou réparation nécessaire avant utilisation.
- Ne jouez jamais avec un équipement endommagé.
- N'utilisez pas l'équipement pour lever ou soulever quoique ce soit. Son mécanisme a été conçu uniquement pour soutenir le poids du panneau et de l'anneau. N'accrochez rien au manche, à l'anneau, au panneau ni aux leviers sous peine d'endommager l'équipement et d'annuler la garantie.

#FS16500

10/12/2004

www.lifetime.com

NOTES

NOTES

NOTES

WARRANTY INFORMATION

LIFETIME BASKETBALL EQUIPMENT

5-YEAR LIMITED FACTORY WARRANTY

THE MANUFACTURER RESERVES THE RIGHT TO MAKE SUBSTITUTIONS TO WARRANTY CLAIMS IF PARTS ARE UNAVAILABLE OR OBSOLETE.

1. Lifetime basketball systems are warranted to the original purchaser to be free from defects in material or workmanship for a period of five years from the date of original retail purchase. The word "defects" is defined as imperfections that impair the use of the product. Defects resulting from misuse, abuse or negligence will void this warranty. This warranty does not cover defects due to improper installation, alteration or accident. This warranty does not cover damage caused by vandalism, rusting, "acts of nature" or any other event beyond the control of the manufacturer.
2. This warranty is nontransferable and is expressly limited to the repair or replacement of defective basketball equipment. If the equipment is defective within the terms of this warranty, Lifetime Products, Inc. will repair or replace defective parts at no cost to the purchaser. Shipping charges to and from the factory are not covered and are the responsibility of the purchaser. Labor charges and related expenses for removal, installation or replacement of the basketball system or its components are not covered under this warranty.
3. This warranty does not cover scratching or scuffing of the product that may result from normal usage. In addition, defects resulting from intentional damage, negligence, unreasonable use or hanging from the net or rim will void this warranty.
4. Liability for incidental or consequential damages is excluded to the extent permitted by law. While every attempt is made to embody the highest degree of safety in all equipment, freedom from injury cannot be guaranteed. The user assumes all risk of injury resulting from the use of this product. All merchandise is sold on this condition, and no representative of the company may waive or change this policy.
5. This product is not intended for institutional or commercial use; Lifetime Products, Inc. does not assume any liability for such use. Institutional or commercial use will void the warranty.
6. This warranty is expressly in lieu of all other warranties, expressed or implied, including warranties of merchantability or fitness for use to the extent permitted by Federal and state law. Neither Lifetime Products, Inc., nor any representative assumes any other liability in connection with this product. This warranty gives you specific legal rights, and you may also have other rights which vary from state to state.

ALL WARRANTY CLAIMS MUST BE ACCOMPANIED BY A SALES RECEIPT.

REPORT PRODUCT DEFECTS IN WRITING TO:

Lifetime Products, Inc., PO Box 160010 Clearfield, UT 84016-0010, or call (800) 225-3865

M-F 7 a.m. to 5 p.m. MST.

****Call or visit our Web site for Saturday hours****

Please include your dated sales receipt and photographs of damaged parts.

To register the product, visit our Web site at www.lifetime.com



www.lifetime.com

**ENHANCE YOUR LIFETIME® PURCHASE BY ADDING
ACCESSORIES OR OTHER GREAT PRODUCTS:**

To purchase accessories or other Lifetime Products, visit us at:

www.lifetime.com

Or call: 1-800-424-3865

