



Powered by  **GREE**

Model No GL-PAC-08E4  
Modèle N° GL-PAC-08E4

8000 BTU Portable Air Conditioner  
Climatiseur portable 8 000 BTU

**OPERATING INSTRUCTIONS**  
**MODE D'EMPLOI**



Thank you for choosing a Soleus Air Powered by Gree Portable Air Conditioner. This owner's manual will provide you with valuable information necessary for the proper care and maintenance of your new product. Please take a few moments to thoroughly read the instructions and familiarize yourself with all the operational aspects of your new Portable Air Conditioner.

For your own records, please attach a copy of your sales receipt to this manual. Also, write the store name/location, date purchased, and serial number below:

Store Name: \_\_\_\_\_

Location: \_\_\_\_\_

Date Purchased: \_\_\_\_\_

Serial Number (located on back of unit): \_\_\_\_\_

## IMPORTANT INSTRUCTIONS

**Before installing and using your portable air conditioner, please read this owner's manual carefully. Store this manual in a safe place for future reference.**

- 1) Always place the unit on a level surface.
- 2) Never use or store gasoline or other flammable vapor or liquid near this unit unless instructed by this manual.
- 3) Maintain at least 10 inches (25 cm) clearance space around this unit. Do not block or cover air inlet or outlet grilles.
- 4) The unit must be connected to a correctly grounded power supply.
- 5) Do not start or stop the unit by inserting or pulling out the power plug.
- 6) Do not use an adapter plug or extension cord.
- 7) Do not use the unit in the immediate surroundings of a bath, a shower or a swimming pool.
- 8) Do not insert anything into the air outlet. Do not obstruct air inlet or outlet grills unless instructed by this manual.
- 9) Do not let children play near this unit.
- 10) Always inspect the cord for signs of damage before use. If the power cord is damaged, it must be replaced by the manufacturer or a qualified service technician.
- 11) When cleaning the unit, always turn the unit off and unplug the power cord.

## LCDI POWER CORD AND PLUG

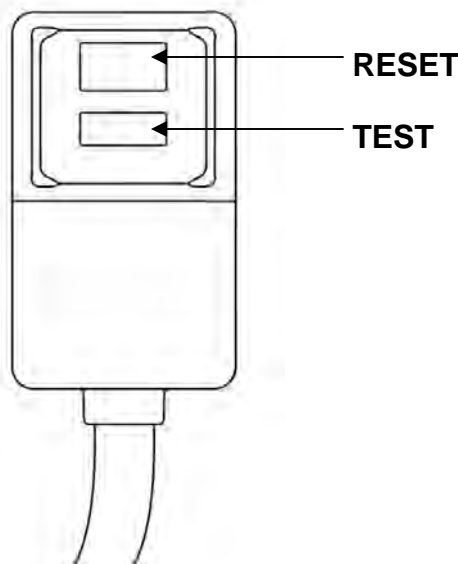
This air conditioner is equipped with an LCDI (Leakage Current Detection and Interruption) power cord and plug as required by US National Electric Code 440.65. This cord consists of a length of shielded flexible cord with no termination on the load side and a LCDI attachment plug on the line side.

The LCDI power cord and plug will remove the supply source via electrical disconnect (circuit trip) if the nominal current leakage between the cord shield and either load conductor exceeds a predetermined value. The cord will remain de-energized until the device has been manually reset. This is intended to reduce the risk of a fire in the power cord or combustible materials nearby. The cord shields are not grounded and they must be considered a shock hazards if exposed. The cord shield must not be connected to ground or to any exposed metal.

The test and reset buttons on the LCDI Plug are used to check if the plug is functioning properly. To test:

1. Plug power cord into wall outlet
2. Press TEST Button, circuit should trip, cutting power to the air conditioner
3. Press RESET button for use

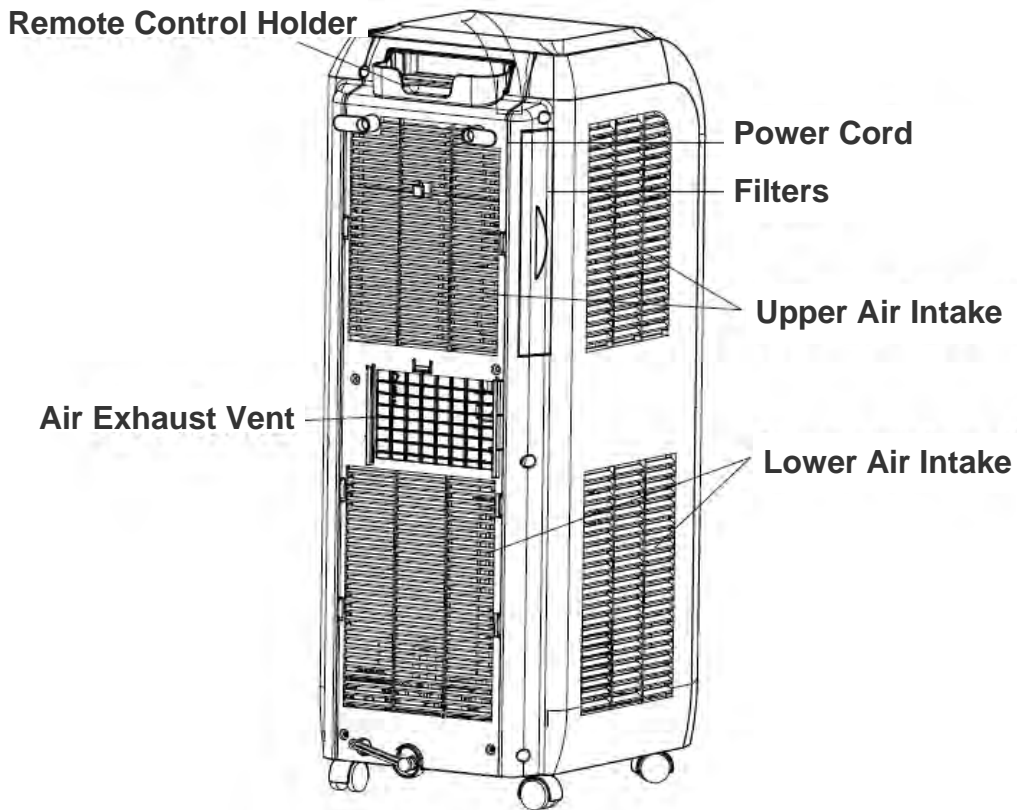
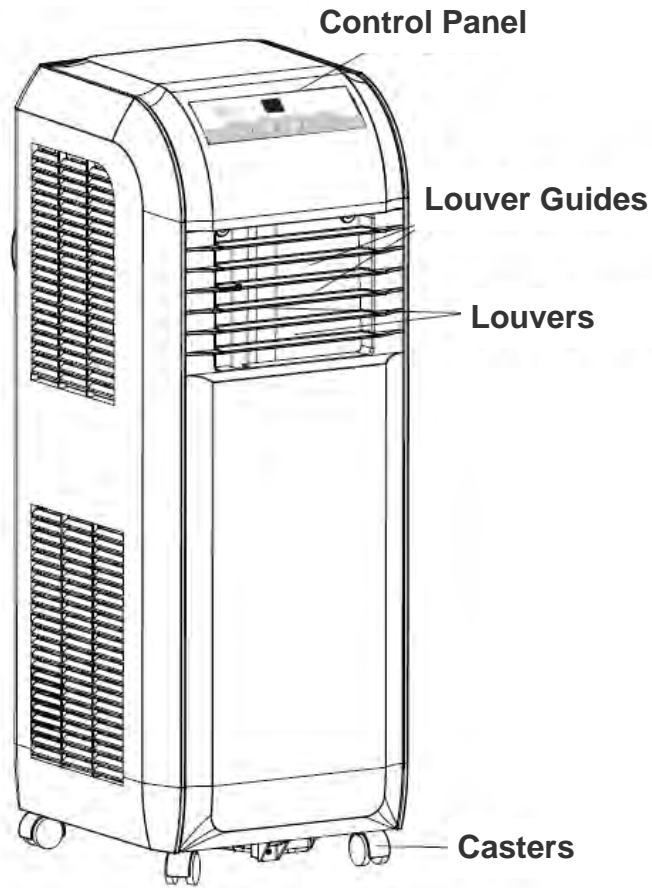
If a test is performed and the indicator light remains ON, current leakage has been detected. Do not use the air conditioner or attempt to reset the LCDI Plug. Contact Soleus Air Powered by Gree Customer Service for troubleshooting recommendations.



### WARNING:

1. DO NOT press the TEST button while the air conditioner is operating.
2. The TEST and RESET buttons should not be used as “ON” and “OFF” switches.
3. The cord and plug are not intended to offer protection to externally connected loads or supply circuits.
4. The cord and plug are intended for indoor use only.

# PRODUCT DIAGRAM



## PACKAGE CONTENTS

Portable Air Conditioner  
Exhaust Hose (1)  
Exhaust Hose Adapter (1)  
Window Kit Adapter (1)  
Hose Adapter (1)  
Remote Control & AAA Batteries (2 batteries)  
Window Kit - 3 Sliding Panels (1 single hose panel, 2 extension panels)  
Drain Hose Assembly (drain pipe, clamp, hose clip, rubber plug, & screw)  
Owner's Manual

## SPECIFICATIONS

- The cooling capacity is measured at an ambient temperature of DB 86 °F, WB 78 °F.
- Noise level is measured at a distance of 3.28 ft away from the front of the unit, when the unit is in cooling mode.
- Power consumption is measured when the fan runs at the highest speed setting.
- These specifications are for reference only. For actual data, please refer to the rating label on the back of the unit.
- If the environment temperature is higher than the max operating temperature or lower than the minimum operating temperature, the air conditioner may not work properly.

Model Number	GL-PAC-08E4
Power Supply (Ph/V/Hz)	1/115/60Hz
Dehumidifying Capacity (Pints/Day)	38
Rated Cooling Capacity (BTU/h)	8,000
Rated Heating Capacity (BTU/h)	/
Cooling Power Input (Watts)	760
Heating Power Input (Watts)	/
Rated Current Cooling (Amperage)	6.7
Rated Current Heating (Amperage)	/
EER/C.O.P	/
Noise Level db (A) H/L	<=55
CFM	195
Design Pressure (PSIG) (H/L)	/
Dimensions (W" x H" x D")	11.75 x 31.5 x 14
Package Dimensions (W" x H" x D")	14 x 33.5 x 22.25
Net/Gross Weight (Lbs)	53/66
Refrigerant Type	R-410A
Refrigerant Charge (Oz)	14

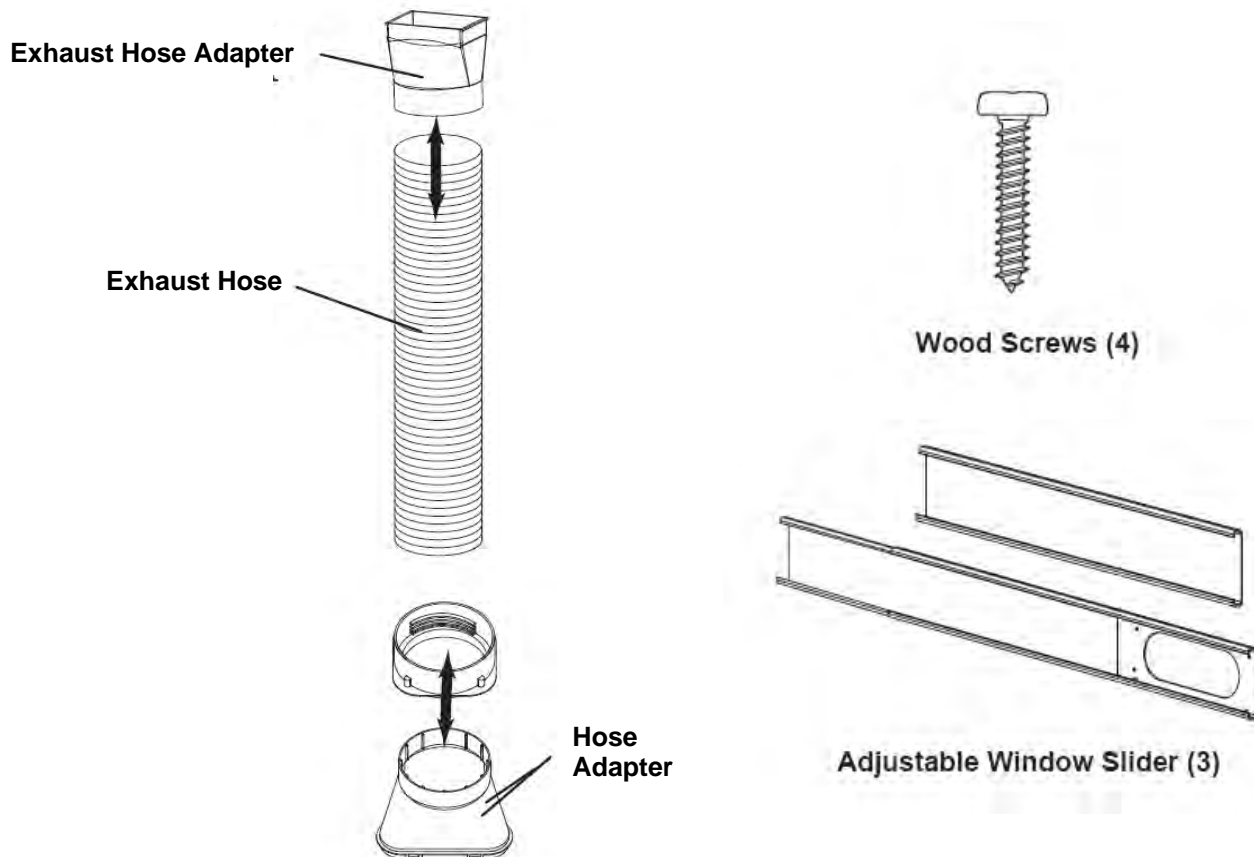
---

## PARTS & WINDOW KIT ASSEMBLY

---

### PARTS

#### EXHAUST HOSE & ADAPTERS



---

### ASSEMBLY & INSTALLATION

#### INSTALLATION

When the unit is operating as an air conditioner or dehumidifier, the window kit and exhaust hose must be installed. When the unit is operating in fan mode, the window kit and exhaust hose do not need to be installed.

#### MOUNTING THE EXHAUST HOSE

- Choose a suitable location, near a grounded electrical outlet and suitable window or door. Remove packaging and locate components.
- Extend both ends of the exhaust hose approximately 6 inches.
- Screw the window kit adapter onto one end of the exhaust hose clockwise. Screw the hose adapter onto the other end of the exhaust hose clockwise.
- Mount the exhaust hose onto the back of the unit by locking the hose adapters into place.
- For maximum efficiency do not bend the hose as much as possible.

## SINGLE HOSE WINDOW KIT INSTALLATION

### Installation of the Venting Kit FOR SINGLE HOSE PORTABLE AIR CONDITIONERS

Innovative products for a cleaner,  
more comfortable world.



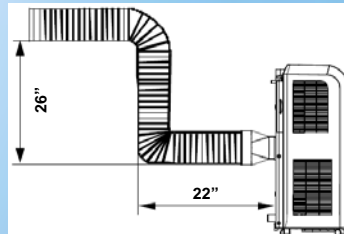
*The venting kit must be installed in order for the unit to work correctly in the air conditioning mode. The venting kit should not be used while the unit is heating or fanning.*

*The window kit has been designed to fit into most vertical and horizontal window openings. The window kit can also be used in a sliding door.*

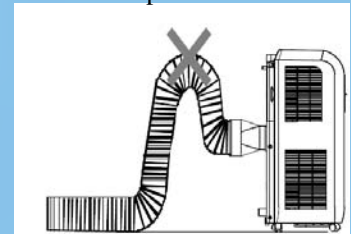
1. Choose a suitable location, near a grounded electrical outlet and a suitable window or door. Remove packaging and locate components. (figure a)
2. Slide the exhaust connector over the discharge opening on the back of the unit. (figure b)
3. Connect the exhaust hose to the exhaust connector, aligning the fitted groove. (figure c)
4. Open the window or door and adjust the length of the window kit to fit the opening. (figure d) If necessary, mark the kit and cut one end down to properly fit the opening. (figures e & f)
5. Attach the window kit adapter to the window kit. (figure g)
6. Place the window kit back into the window and attach the exhaust hose to the window kit adapter. (figures h & i) Close the window tightly. (figure j) Your Portable Air Conditioner is now ready to cool!

**NOTE:** *When using the venting system, keep the exhaust hose as straight as possible. The exhaust hose can be shortened, but it is not recommended to increase the length of the exhaust hose. Do not use an extension cord with your portable air conditioner.*

This installation is OK



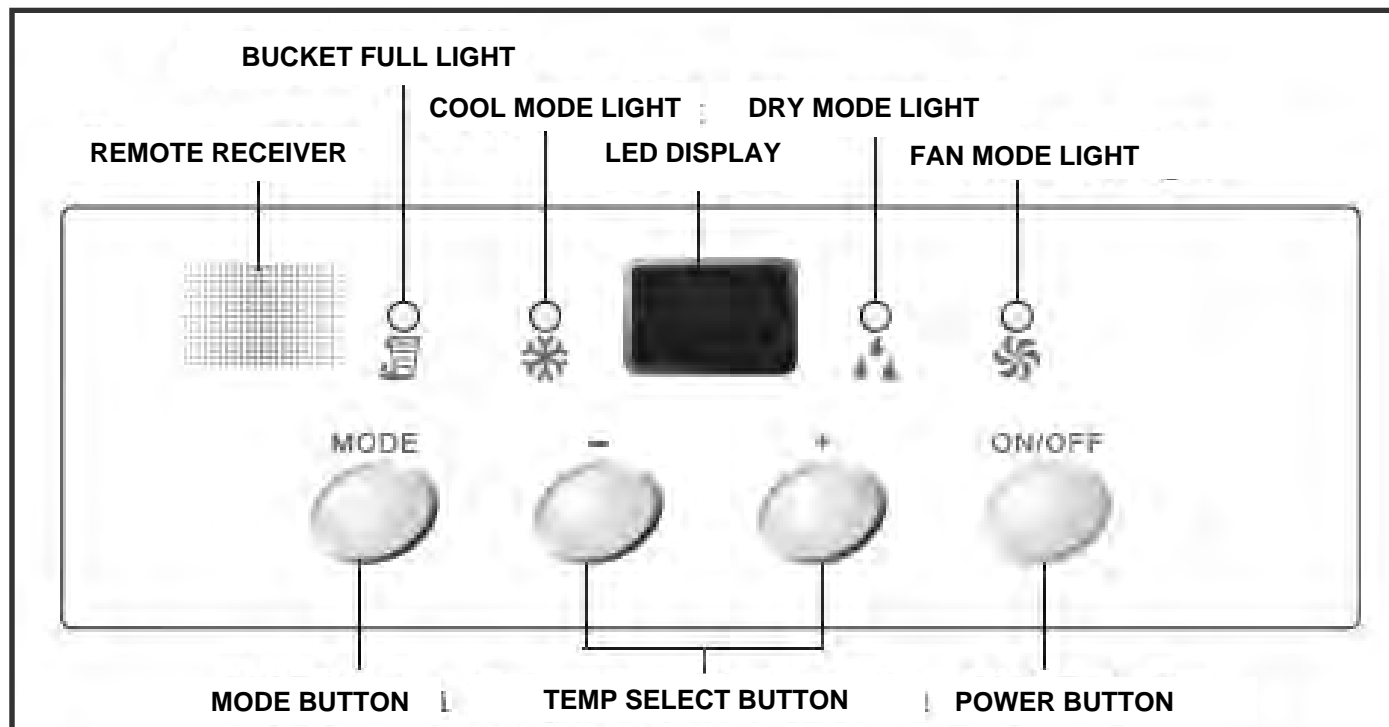
This is a poor installation



When installing the exhaust hose, try and keep it as flat as possible. The less angles and bends in the hose, the better the unit will perform. If bending or an angle is necessary, use single 90° angles like the pictures above. Multiple bends will decrease performance and efficiency

# CONTROL PANEL, DISPLAY, & OPERATING INSTRUCTIONS

## CONTROL PANEL & LED DISPLAY



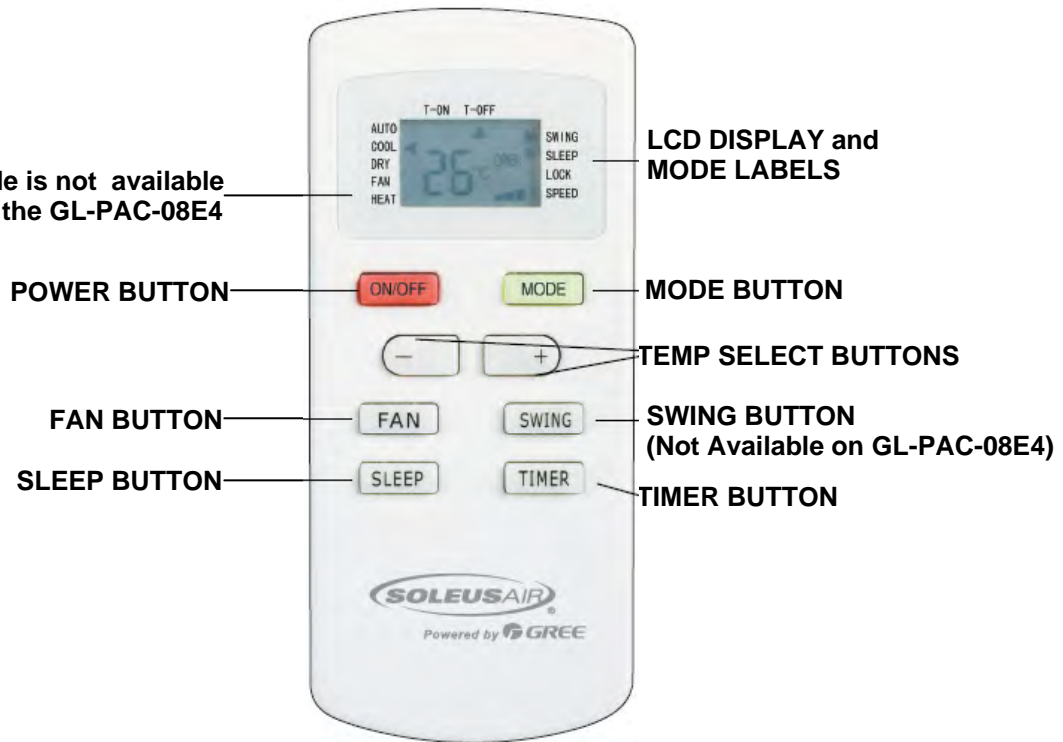
## CONTROL PANEL OPERATING INSTRUCTIONS

- 1) **Power On and Off** - Press the **POWER** button once to manually turn the unit on. Press the **POWER** button once more to turn the unit off.
- 2) **Mode Selection** - Press the **MODE** Button repeatedly to cycle between the different modes: Cool, Dry and Fan only mode. Each press of the **MODE** button will light up a different icon on the control panel. The exhaust hose and window kit must be installed when the unit is in cool or dry mode. When using the unit as a fan, it is not necessary to keep the exhaust hose and window kit connected to the unit.
- 3) **Temperature** - Select the desired temperature by pressing either “ - ” or “ + ” key when using the unit in cooling mode. The digital thermostat will display the set temperature.
- 4) **Louver Direction** - This unit has 4-Way directional louvers. Use the louver guides to direct air where cooling or fanning is needed most.
- 5) **Bucket Full** - When the unit cannot evaporate the collected moisture fast enough. The excess water will collect in a backup water tank located inside the unit. The bucket full icon will light up if this occurs

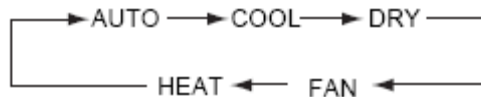


# REMOTE CONTROL OPERATING INSTRUCTIONS

**NOTE: Heat mode is not available on the GL-PAC-08E4**

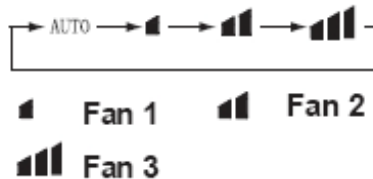


- 1) **Power On and Off** - Press the **ON/OFF (POWER)** button once to manually turn the unit on. Press the Power button once more to turn the unit off. When you manually power the unit on and off by pressing the **ON/OFF** button, the preset timer will be cancelled.
- 2) **Mode Selection** - Press the **MODE** Button repeatedly to cycle between the different modes: Auto, Cool, Dry, and Fan only mode. Once a mode is selected, an arrow will light up on the LCD display next to the selected **MODE** label on the remote. Auto mode automatically chooses the air conditioner, dehumidifier, or fan mode based on the current room temperature.



**NOTE: HEAT MODE NOT AVAILABLE**

- 3) **Fan Speed** - Press the **FAN** speed button to cycle through low, medium, and high fan speeds. The small fan icons will light up depending on which speed is selected. The more fan icons light up, the higher the speed. The fan icons are located on the LCD display next to the **SPEED** label.



- 4) **Temperature Setting** - When the unit is in Air Conditioner mode you can select your desired temperature. Press the **TEMP SELECT** buttons (+ or -) to select your desired temperature setting. The temperature on the LCD display on the remote control will increase or decrease accordingly. Hold the +/- buttons for two seconds to rapidly increase or decrease the temperature.

## REMOTE CONTROL OPERATING INSTRUCTIONS (Cont.)

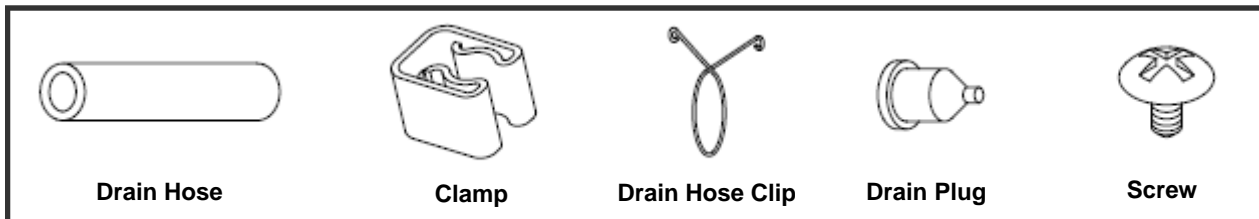
- 5) **Auto-on Timer:** When the air conditioner is off, it can be set to automatically turn on in 30 minutes to 24 hours at the previous set mode and fan setting. To set the Auto-on Timer, press the **TIMER** button on the unit or remote control. Each touch of the +/- buttons on the remote will change the timer setting in 30 minute increments (.5 hours). The **T-ON** and **H** lights will blink while the Auto-on Timer is being set. Once the timer is set, press the **TIMER** button once more to save the setting. Press the **ON/OFF** button to cancel the timer.

**Auto-off Timer:** When the air conditioner is on, it can be set to automatically turn off in 30 minutes to 24 hours. To set the Auto-off Timer, press the **TIMER** button on the remote control. Each touch of the +/- buttons on the remote will change the timer setting in 30 minute (.5 hour) intervals. The **T-OFF** and **H** lights will blink while setting. To cancel the timer, press the **ON/OFF** button. Once the timer is set, press the **TIMER** button once more to save the setting. Press the **ON/OFF** button to cancel the timer.

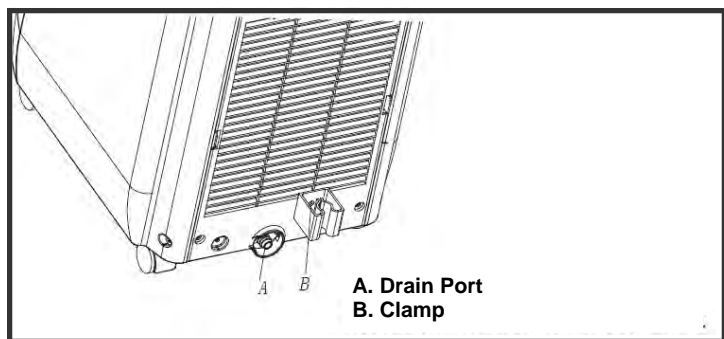
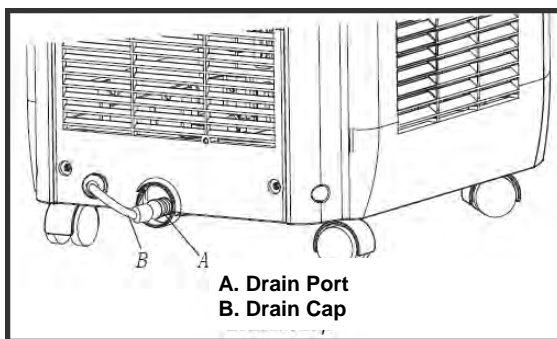
- 6) **Sleep Mode** - Press the **SLEEP** mode button to engage **SLEEP** mode. Sleep mode automatically reduces the set temperature by 2°F after one hour and 4°F after two hours. This feature limits compressor usage and enhances energy savings while you are sleeping.
- 7) **Auto Mode** - When **AUTO** mode is selected the air conditioner will automatically choose the operating mode base on the current room temperature. When the room is below 68°F the air conditioner will automatically fan the room to circulate air. When the room temperature is between 68°F-73°F the air conditioner will operate in Fan mode if it was previously selected or dehumidifier mode (if another mode was used previously) to remove humidity from the air as well as some cooling to help lower the room temperature. When the room temperature is between 74°F-79°F the air conditioner will always operate in dehumidifier mode. When the room temperature rises above 79°F, the unit will operate in air conditioner mode to maximize cooling. Auto mode uses pre-determined settings to keep you comfortable by choosing the most energy efficient mode based on the temperature of the room.

## DRAINING COLLECTED WATER

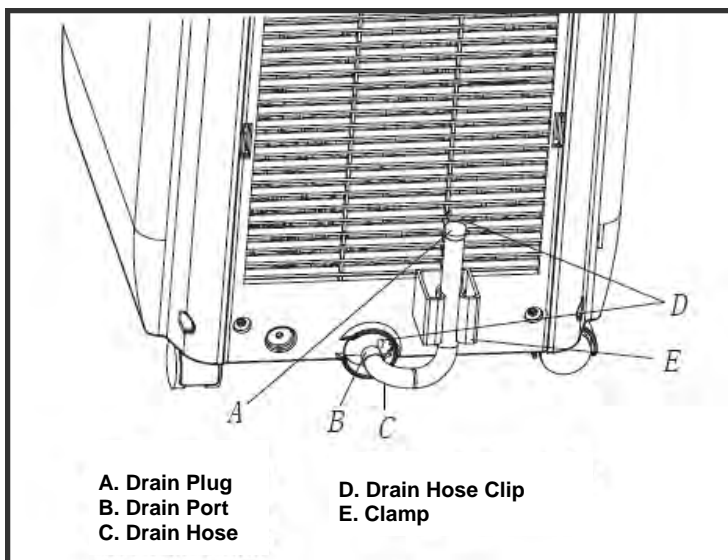
When the temperature or humidity is too high, the air conditioner may not be able to evaporate all of the water as quickly as needed. All moisture that is unable to be evaporated is placed in a small bank up water tank inside the unit. When this tank is completely full, an alarm will sound, the compressor will shut off, and the bucket full icon will light up on the control panel. To manually empty the tank, please follow the instructions below.



- 1) Remove the pre-installed Drain Cap from the unit (See Below).
- 2) Attach the Clamp with the provided Screw (See Below).



- 3) Attach the Drain Hose to the Drain Port using the Drain Hose Clip. Insert the Drain Plug into the free end of the Drain Hose and guide the Drain Hose through the Clamp. Once finished, the unit can be easily drained by removing the drain plug and guiding the drain hose into a small pan to drain the water.



## MAINTENANCE

---

Note: Make sure power is off and the power cord is not plugged into an electrical outlet prior to performing any maintenance on the unit.

Clean or replace filter - If the air filter is blocked with a dust, the airflow volume may reduce. It is recommended to clean the filter once every two weeks or as needed.

- 1) Remove the filter from the filter compartment on the back of the unit.
- 2) Wash the air filter by immersing it gently into warm water with a neutral detergent. Rinse the filter and dry it thoroughly out of sunlight.
- 3) Slide the filter back into the filter compartment after it is thoroughly dried.
- 4) If the filter is torn or unusable, order a new filter by calling the customer service number on the warranty page of this manual.

Clean the unit Housing

- 1) Keep the unit from being exposed directly to the sun to prevent color fading.
- 2) Clean the surface with a damp cloth and dry it with a soft towel.

Storing the Unit for an Extended Period of Time or Transporting the unit

- 1) Empty any excess water by unplugging the water drainage stop in the back of the unit (located at the bottom).
- 2) Unplug the unit.
- 3) The unit should be stored in a cool dry place.

## DISCLAIMER

**ALL INFORMATION AND THE TECHNICAL SPECIFICATIONS PRESENTED IN THIS USER'S MANUAL ARE THE PRESENTATION OF THE MANUFACTURER. SOLEUS INTERNATIONAL HAS NOT CONDUCTED INDEPENDENT TEST TO THE INFORMATION AND THE SPECIFICATIONS PRESENTED HEREWITHIN.**

## TROUBLESHOOTING

PROBLEM	POSSIBLE CAUSES	SOLUTIONS
<b>The Air Conditioner will not start</b>	The air conditioner is unplugged or not connected well.	<ul style="list-style-type: none"> <li>• Make sure the air conditioner plug is pushed completely into the outlet</li> </ul>
	The fuse is blown/circuit breaker is tripped.	<ul style="list-style-type: none"> <li>• Check the house fuse/circuit breaker box and replace the fuse or reset the breaker.</li> </ul>
	Power Failure	<ul style="list-style-type: none"> <li>• The unit will automatically re-start when power is restored.</li> <li>• There is a protective time delay (approx. 3 minutes) to prevent tripping of the compressor overload. For this reason, the unit may not start normal cooling for 3 minutes after it is turned back on.</li> </ul>
	The current interrupter device is tripped.	<ul style="list-style-type: none"> <li>• Press the RESET button located on the power cord plug.</li> <li>• If the RESET button will not stay engaged, discontinue use of the air conditioner and contact a qualified service technician.</li> </ul>
<b>The Air Conditioner does not cool as it should</b>	Airflow is restricted	<ul style="list-style-type: none"> <li>• Make sure there are no curtains, blinds, or furniture blocking the front of the air conditioner</li> </ul>
	The temperature control may not be set correctly.	<ul style="list-style-type: none"> <li>• Lower the set thermostat temperature</li> </ul>
	The air filter is dirty	<ul style="list-style-type: none"> <li>• Clean the filter. See the Cleaning and Care Section of the manual.</li> </ul>
	The room may be too warm	<ul style="list-style-type: none"> <li>• Please allow time for the room to cool down after turning on the air conditioner.</li> </ul>
	Cold air is escaping	<ul style="list-style-type: none"> <li>• Check for open furnace registers and cold air returns</li> </ul>
	The Evaporator is frozen	<ul style="list-style-type: none"> <li>• The unit is defrosting and will resume operation when done.</li> </ul>
<b>The Remote Control is not working</b>	The batteries are inserted incorrectly	<ul style="list-style-type: none"> <li>• Check the position of the batteries.</li> </ul>
	The batteries may be dead	<ul style="list-style-type: none"> <li>• Replace the batteries</li> </ul>

## TROUBLESHOOTING (CONT.)

<b>PROBLEM</b>	<b>POSSIBLE CAUSES</b>	<b>SOLUTIONS</b>
The LED Display is showing "E5"	Low Voltage Protection	<ul style="list-style-type: none"><li>• Unplug for 10 minutes and then turn on the unit. If "E5" is still displayed, contact customer service.</li></ul>
The LED Display is showing "H8"	The backup water tank is full	<ul style="list-style-type: none"><li>• Drain the water tank</li><li>• If the "H8" is still displayed after the water tank has been emptied, contact customer service.</li></ul>
The LED Display is showing "F1"	The room air temperature sensor malfunction.	<ul style="list-style-type: none"><li>• Please inform the maintenance man to maintain</li></ul>
The LED Display is showing "F2 "	The tube temperature sensor malfunction.	<ul style="list-style-type: none"><li>• Please inform the maintenance man to maintain</li></ul>

# WARRANTY

## One Year Limited Warranty

Soleus International Inc. warrants the accompanying Soleus Air Powered by Gree Portable Air Conditioner to be free of defects in material and workmanship for the applications specified in its operation instruction for a period of ONE (1) year from the date of original retail purchase in the United States.

If the unit exhibits a defect in normal use, Soleus International Inc. will, at its option, either repair or replace it, free of charge within a reasonable time after the unit is returned during the warranty period.

As a condition to any warranty service obligation, the consumer must present this Warranty Certificate along with a copy of the original purchase invoice.

### **THIS WARRANTY DOES NOT COVER:**

- Damage, accidental or otherwise, to the unit while in the possession of a consumer not caused by a defect in material or workmanship.
- Damage caused by consumer misuse, tampering, or failure to follow the care and special handling provisions in the instructions.
- Damage to the finish of the case, or other appearance parts caused by wear.
- Damage caused by repairs or alterations of the unit by anyone other than those authorized by Soleus International Inc.
- Freight and Insurance cost for the warranty service.

ALL WARRANTIES, INCLUDING ANY IMPLIED WARRANTY OF MERCHANTABILITY ARE LIMITED TO ONE-YEAR DURATION OF THIS EXPRESS LIMITED WARRANTY. **SOLEUS INTERNATIONAL INC.** DISCLAIMS ANY LIABILITY FOR CONSEQUENTIAL OR INCIDENTAL DAMAGES AND IN NO EVENT SHALL SOLEUS INTERNATIONAL INC'S LIABILITY EXCEED THE RETAIL VALUE OF THE UNIT FOR BREACH OF ANY WRITTEN OR IMPLIED WARRANTY WITH RESPECT TO THIS UNIT.

This warranty covers only new products purchased from our authorized dealers or retailers. It does not cover used, salvaged, or refurbished products.

As some states do not allow the limitation or exclusion of incidental or consequential damages, or do not allow limitation on implied warranties, the above limitations and exclusions may not apply to you. This warranty gives you specific legal rights, and you may also have other rights that vary from state to state.

### **For Technical Support & Warranty Service**

Please Call (888) 876-5387

Or Write To:

Soleus International Inc.

20035 E. Walnut Dr, North.

City of Industry, CA 91789 USA

[www.soleusair.com](http://www.soleusair.com)

Merci d'avoir choisi le climatiseur portable Gree de Soleus Air. Ce guide d'utilisation vous offre des renseignements importants pour la conservation et l'entretien de votre nouveau produit. Veuillez prendre quelques instants pour lire attentivement et vous familiariser avec les différents modes de fonctionnement de votre nouveau radiateur micathermique Soleus Air.

Nous vous recommandons d'annexer une copie de votre reçu de caisse à ce guide. Inscrivez également le nom du magasin, le lieu, la date de l'achat et le numéro de série ci-dessous :

Nom du magasin : \_\_\_\_\_

Lieu : \_\_\_\_\_

Date d'achat : \_\_\_\_\_

Numéro de série (situé à l'arrière de cette unité) : \_\_\_\_\_

## **DIRECTIVES IMPORTANTES**

**Avant d'installer et d'utiliser votre climatiseur portable, veuillez lire attentivement ce manuel. Conservez ce manuel dans un endroit sécuritaire pour une consultation ultérieure.**

- 1) Placez toujours l'appareil sur une surface plane.
- 2) Ne jamais utiliser ou entreposer de l'essence ou d'autres liquides ou gaz inflammables à proximité de cet appareil, à moins de directives contraires par ce manuel.
- 3) Conserver au moins 10 pouces (25 cm) d'espace de dégagement autour de cet appareil. Ne bloquez pas ou ne recouvrez l'entrée ou la sortie des grilles d'air.
- 4) L'appareil doit être raccordé à une alimentation mise à la terre.
- 5) Ne pas démarrer ou arrêter l'appareil en insérant ou en retirant la fiche d'alimentation.
- 6) Ne pas utiliser un adaptateur ou une rallonge.
- 7) Ne pas utiliser l'appareil dans les environs immédiats d'une baignoire, d'une douche ou d'une piscine.
- 8) Ne pas insérer quoi que ce soit dans la sortie d'air. Ne pas obstruer l'admission ou la sortie d'air des grilles à moins de directives contraires par ce manuel.
- 9) Ne pas laisser les enfants jouer à proximité de cet appareil.
- 10) Toujours examiner le cordon d'alimentation pour détecter les signes de dommages avant de l'utiliser. Si le cordon d'alimentation est endommagé, il doit être remplacé par le fabricant ou un technicien qualifié.
- 11) Lors du nettoyage de l'appareil, mettez toujours l'appareil hors tension et débranchez le cordon d'alimentation.



## CORDON D'ALIMENTATION IDFT ET FICHE

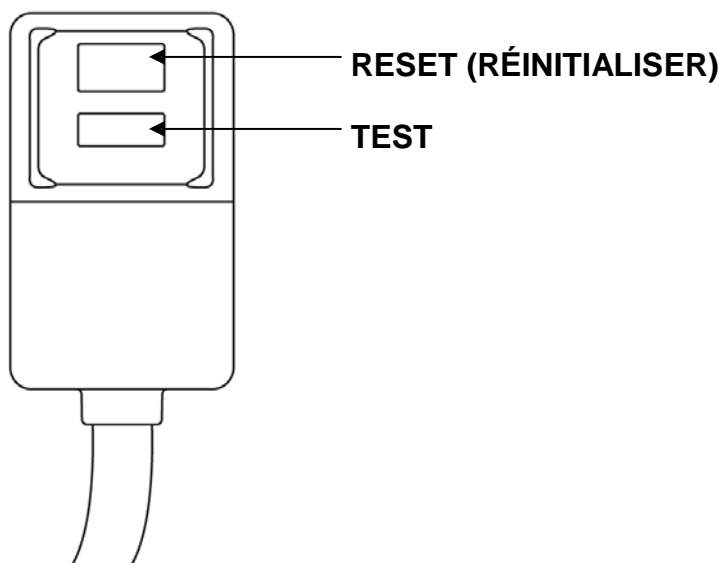
Ce climatiseur est équipé d'un cordon d'alimentation IDFT (interrupteur-détecteur de fuite à la terre) et d'une fiche conforme aux normes américaines du US National Electric Code 440,65. Ce cordon se compose de fils gainés et flexibles sans raccordement sur le côté de la charge et d'un adaptateur de fiche IDFT sur le côté ligne.

La fiche et le cordon d'alimentation IDFT permettent de couper automatiquement le courant électrique de la source si le courant nominal subit une variation déterminée de valeur entre le courant et la source électriques. Le cordon restera désactivé jusqu'à ce que l'appareil soit réinitialisé manuellement. Ces mesures visent à réduire le risque d'incendie dans le cordon d'alimentation ou dans les matériaux combustibles à proximité. La gaine du cordon d'alimentation n'est pas mise à la terre et représente un risque si elle est endommagée. La gaine du cordon ne doit pas être raccordée à la masse ou à n'importe quelle surface métallique exposée.

Les boutons de test et de réinitialisation de la fiche IDFT sont utilisés pour vérifier si la prise fonctionne correctement. Pour effectuer le test :

1. Branchez le cordon d'alimentation dans une prise murale.
2. Appuyer sur le bouton TEST et le circuit de protection devrait s'ouvrir immédiatement, en coupant le courant vers le climatiseur.
3. Appuyez sur le bouton RESET pour réinitialiser votre appareil

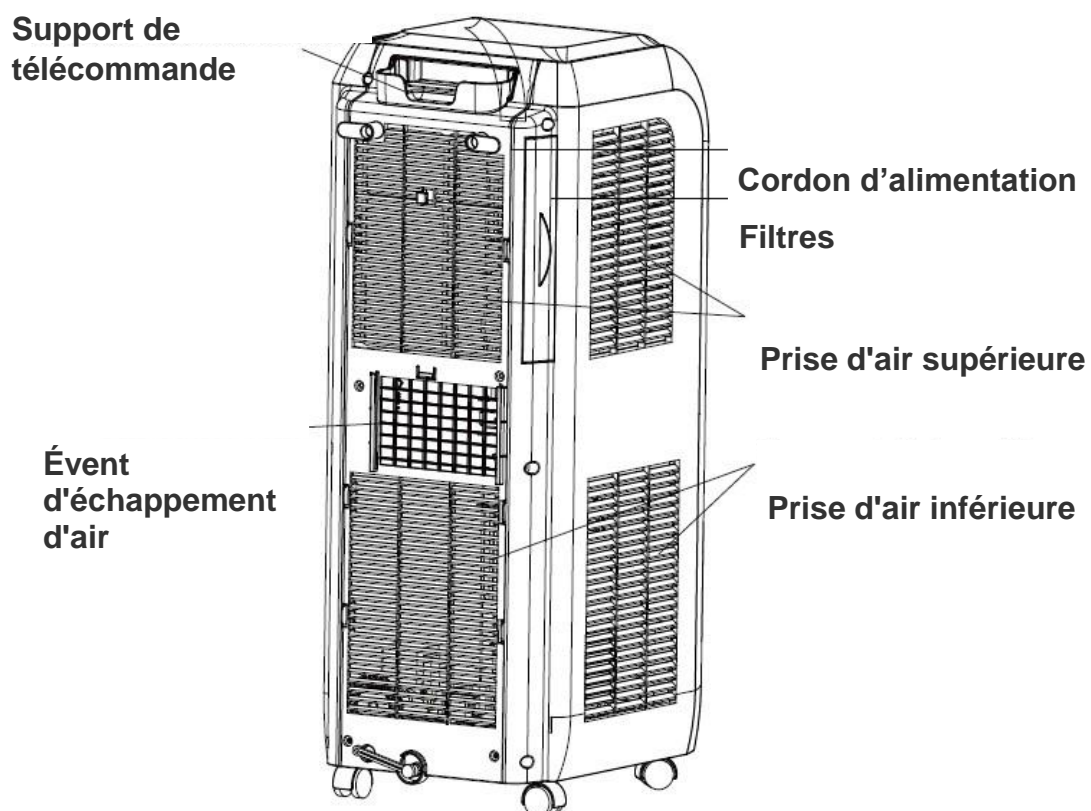
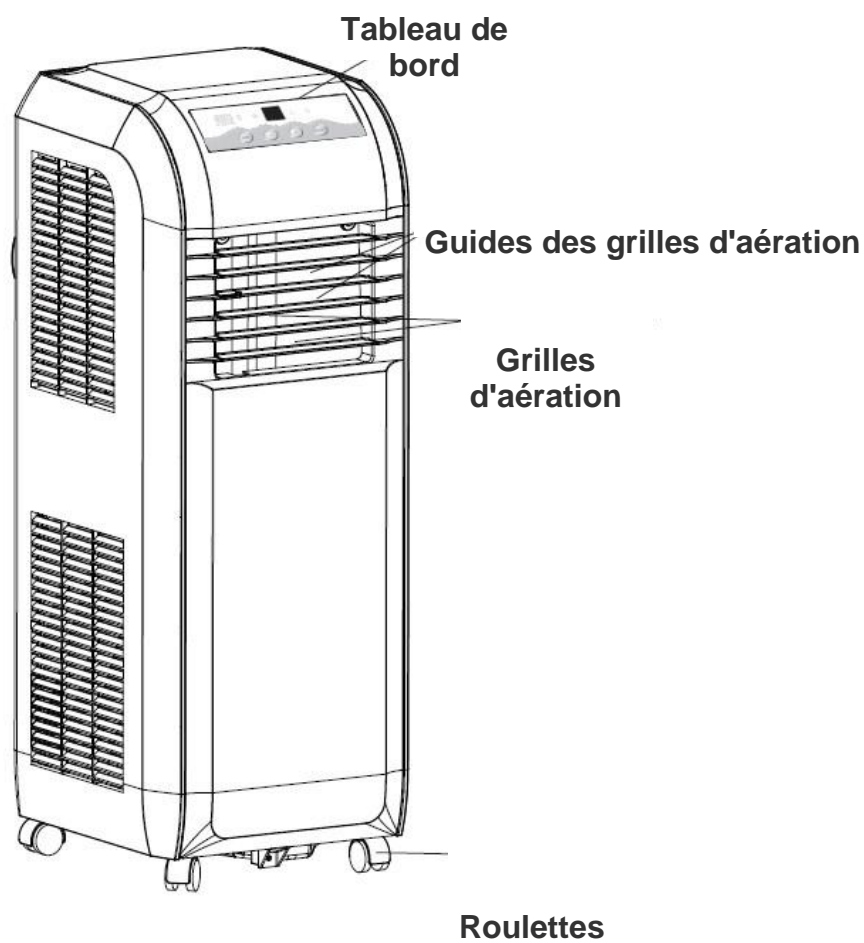
Si un test est effectué et le témoin lumineux reste allumé, une fuite de courant a été détectée. Ne pas utiliser le climatiseur ou ne pas tenter de réinitialiser la fiche IDFT. Communiquer avec le service à la clientèle de Soleus Air pour les climatiseurs Gree pour le dépannage et des recommandations.



### AVERTISSEMENT :

1. N'APPUYEZ PAS sur le bouton de TEST pendant que le climatiseur fonctionne.
2. Les boutons TEST et RESET (réinitialisation) ne doivent pas être utilisés comme des interrupteurs.
3. Le cordon d'alimentation et la prise ne sont pas destinés à offrir une protection à des charges connectées ou à des circuits d'alimentation extérieurs.
4. Le cordon et la fiche sont destinés à une utilisation intérieure uniquement.

## ILLUSTRATION DU PRODUIT



## CONTENU DE L'EMBALLAGE

Climatiseur portable

Tuyau d'échappement (1)

Adaptateur du tuyau d'échappement (1) Trousse

d'adaptateur à la fenêtre (1)

Adaptateur de tuyau (1)

Télécommande et 2 piles AAA

Trousse pour la fenêtre - 3 panneaux coulissants (1 seul panneau flexible, 2 panneaux de rallongement)

Ensemble pour le tuyau d'échappement (tuyau de vidange, bride, collier de tuyau, bouchon en caoutchouc, et vis)

Manuel du propriétaire

### Caractéristiques techniques

- La capacité de refroidissement est mesurée à une température ambiante qui varie de 30 °C (thermomètre à réservoir sec) à 25 °C (réservoir du thermomètre humide).
- Le niveau de bruit est mesuré à une distance de 1 m à l'avant de l'appareil, lorsque l'appareil est en mode de refroidissement.
- La consommation d'énergie est mesurée lorsque le ventilateur fonctionne à sa vitesse maximale.
- Ces spécifications sont pour référence seulement. Pour obtenir les données réelles, veuillez consulter l'étiquette apposée à l'arrière de l'appareil.
- Si la température ambiante est plus élevée que la température de fonctionnement maximale ou inférieure à la température minimale de fonctionnement, le climatiseur peut ne pas fonctionner correctement.

Numéro de modèle	GL-PAC-08E4
Alimentation (Ph/V/Hz)	1/115/60Hz
Capacité de déshumidification (litres/jour)	18
Puissance nominale de la capacité de refroidissement (BTU/h)	8 000
Capacité nominale de chauffage (BTU/h)	/
Puissance de refroidissement (Watts)	760
Puissance de chauffage (Watts)	/
Courant nominal de refroidissement (Intensité)	6,7
Courant nominal de chauffage (Intensité)	/
EER (refroidissement)/COP (chauffage)	/
Niveau sonore db (A) H/L	<=55
Pied cube par minute	195
Pression nominale (PSIG) (H/L)	/
Dimensions (L x P x H en pouces)	11,75 x 14 x 31,5
Dimension de l'emballage (L x P x H en pouces)	14 x 22,35 x 33,5
Poids net et brut (lb)	53/66
Type de réfrigérant	R-410A
Charge de réfrigérant (oz)	15.9

# PIÈCES ET TROUSSE D'ASSEMBLAGE DE LA FENÊTRE

## PIÈCES

### TUYAU D'ÉCHAPPEMENT ET ADAPTATEURS

Adaptateur du tuyau d'échappement

Tuyau d'échappement

Tuyau Adaptateur

Vis à bois (4)

Languette ajustable pour fenêtre (3)

## ASSEMBLAGE ET INSTALLATION

### INSTALLATION

Lorsque l'unité fonctionne comme un climatiseur ou déshumidificateur, la trousse de fenêtre et le tuyau d'échappement doivent être installés. Lorsque l'unité fonctionne en mode ventilateur, la trousse de fenêtre et le tuyau d'échappement n'ont pas besoin d'être installés.

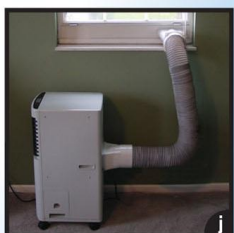
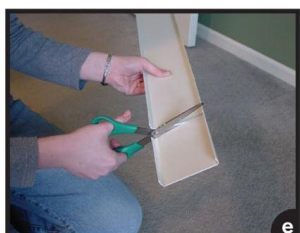
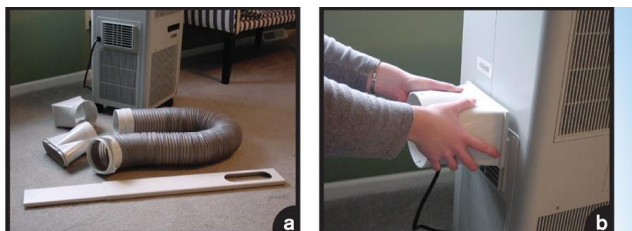
### MONTAGE DU TUYAU D'ÉCHAPPEMENT

- Choisir l'emplacement d'une porte ou d'une fenêtre appropriée, à proximité d'une prise électrique mise à la terre. Retirer l'appareil de l'emballage et inspecter les composants.
- Étendre les deux extrémités du tuyau d'échappement approximativement de 6 pouces (15 cm).
- Visser l'adaptateur de la trousse de la fenêtre sur une extrémité du tuyau d'échappement dans le sens d'une montre.
- Visser l'adaptateur du tuyau sur l'autre extrémité du tuyau d'échappement dans le sens d'une montre.
- Monter le tuyau d'échappement à l'arrière de l'appareil en verrouillant les adaptateurs de tuyau en place.
- Pour un maximum d'efficacité, ne pas plier le tuyau autant que possible.

## TROUSSE D'INSTALLATION POUR UN TUYAU UNIQUE À LA FENÊTRE

# Installation de la trousse de ventilation

POUR LES CLIMATISEURS PORTABLES AVEC **TUYAU UNIQUE**



Des produits innovateurs pour un monde plus propre et plus confortable

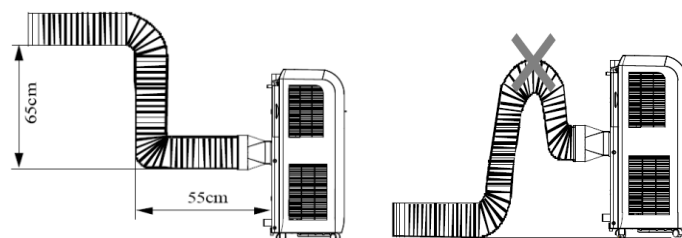
*La trousse de ventilation doit être installée pour que l'appareil fonctionne correctement au mode climatisation. La trousse ne doit pas être utilisée lorsque l'appareil fonctionne au mode chauffage ou ventilation.*

*La trousse de ventilation a été conçue pour s'adapter à la majorité des fenêtres verticales ou horizontales. Cette trousse peut également être utilisée pour les portes coulissantes.*

1. Choisissez un endroit approprié non loin d'une prise de courant directement mise à la terre et d'une fenêtre ou une porte appropriée. Retirez le produit de l'emballage et identifiez les différents composants (image a).
2. Faites glisser le raccord d'évacuation par-dessus l'ouverture de sortie située à l'arrière de l'appareil (image b).
3. Raccordez le tuyau d'évacuation au raccord, en alignant les rainures indiquées à la surface (image c).
4. Ouvrez la fenêtre ou la porte et ajustez la longueur de la trousse de ventilation pour qu'elle s'adapte à l'ouverture (image d). Si nécessaire, tracez une ligne et coupez une extrémité de la trousse pour qu'elle s'adapte parfaitement à l'ouverture (images e et f).
5. Raccordez l'adaptateur de la trousse de la fenêtre à la trousse de la fenêtre (image g).
6. Remplacez la trousse de la fenêtre à la fenêtre et raccordez le tuyau d'évacuation à l'adaptateur de la fenêtre (images h et i). Fermez hermétiquement la fenêtre (image j). Votre climatiseur portable est maintenant prêt à être utilisé!

*Remarque : lorsque vous utilisez le système de ventilation, conservez le tuyau d'évacuation aussi droit que possible. Le tuyau d'évacuation peut être raccourci, mais il n'est pas recommandé d'en augmenter la longueur. N'utilisez pas de rallonge électrique avec votre climatiseur portable.*

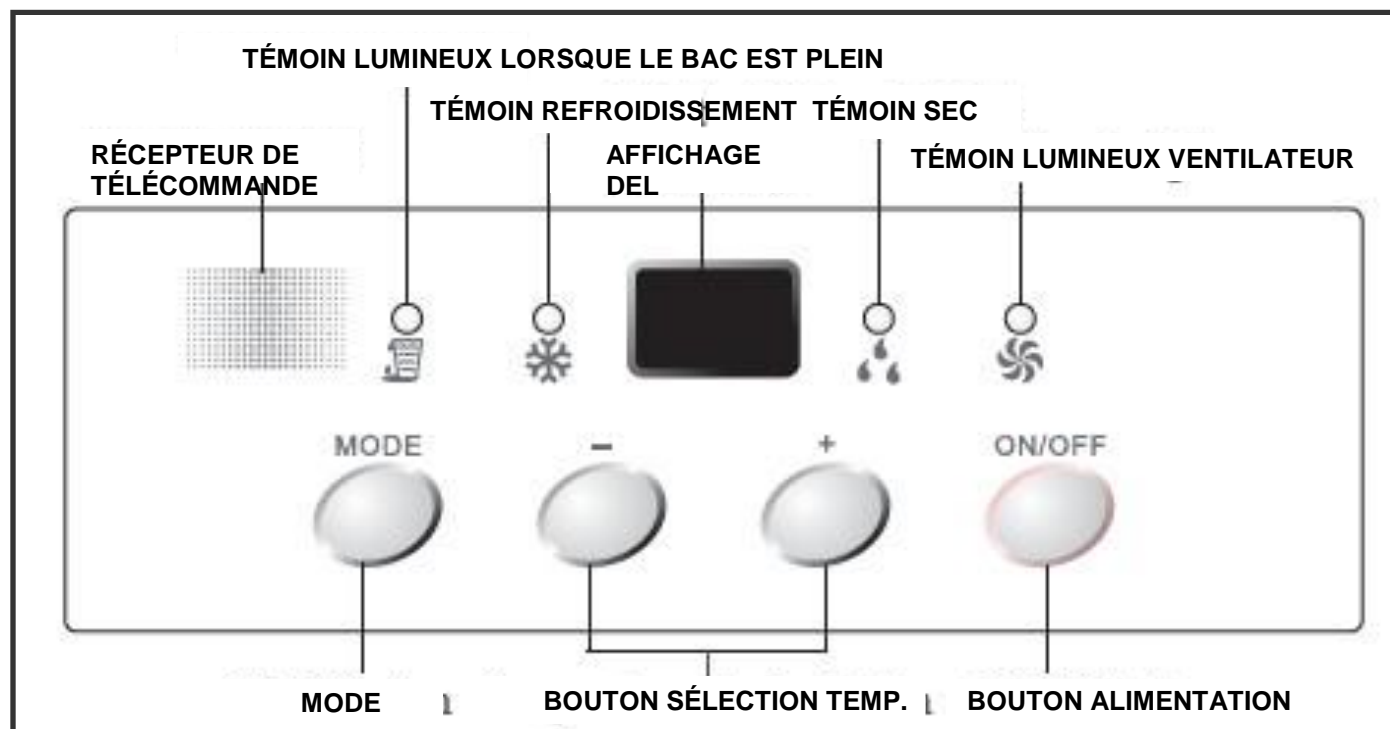
Cette installation est bonne      Cette installation est inadéquate



En installant le tuyau d'échappement, essayer de le conserver le plus à plat possible. L'appareil fonctionnera mieux s'il y a moins d'angles et de courbes dans le tuyau. Si une courbure ou un angle est nécessaire, utiliser un seul angle de 90° comme sur les photos ci-dessus. Plusieurs courbes diminuent les performances et l'efficacité de l'appareil.

## TABLEAU DE BORD, AFFICHAGE ET MODE D'EMPLOI

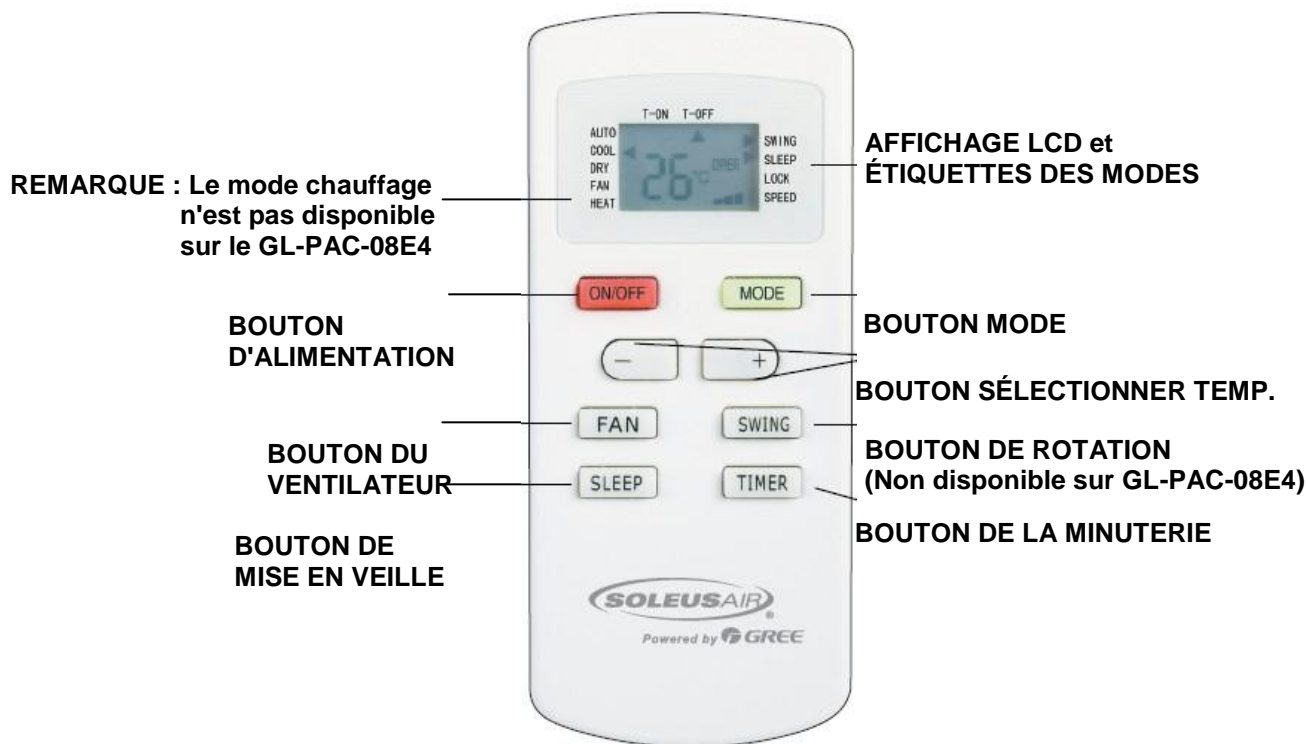
### TABLEAU DE BORD ET AFFICHAGE DEL



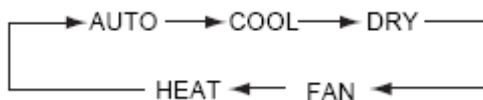
### TABLEAU DE BORD, AFFICHAGE ET MODE D'EMPLOI

- 1) **Mettre sous tension et hors tension** - Appuyer une fois sur le bouton d'alimentation pour activer manuellement l'appareil sous tension. Appuyez sur le bouton **POWER** une fois de plus pour éteindre l'appareil.
- 2) **Sélection du mode** - Appuyer sur le bouton **MODE** de manière répétitive pour alterner entre les différents modes : mode refroidir, sécher et ventilateur uniquement. Chaque fois que vous appuyez sur le bouton **MODE** une icône différente s'allume sur le tableau de bord. Le tuyau d'échappement et la trousse de fenêtre doivent être installés lorsque l'appareil est en mode refroidir ou sec. Lorsque vous utilisez l'appareil comme ventilateur, il n'est pas nécessaire de maintenir le tuyau d'échappement et la trousse de fenêtre raccordée à l'appareil.
- 3) **Température** - Sélectionner la température souhaitée en appuyant sur les clés « - » ou « + » lors de l'utilisation de l'appareil en mode de refroidissement. Le thermomètre numérique affiche la température choisie.
- 4) **Direction des grilles d'aération** - Cet appareil offre 4 positions pour les grilles d'aération. Utiliser les volets d'aération pour diriger l'air là où le refroidissement ou la ventilation est le plus nécessaire.
- 5) **Bac rempli** - Lorsque l'appareil ne peut pas évaporer assez rapidement l'humidité qui s'est accumulée. L'excès d'eau peut s'accumuler dans un réservoir de sauvegarde situé à l'intérieur de l'appareil. L'icône du bac rempli s'allume si cela se produit.

# MODE D'EMPLOI DE LA TÉLÉCOMMANDE

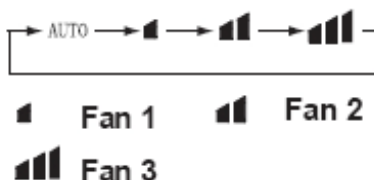


- 1) **Mettre sous tension et hors tension** - Appuyer une fois sur le bouton d'alimentation pour activer manuellement l'appareil sous tension. Appuyer une autre fois sur le bouton Power pour éteindre l'appareil. Lorsque vous allumez ou fermez manuellement l'appareil en appuyant sur le bouton marche/arrêt, le pré réglage de la minuterie sera annulé.
- 2) **Sélection du mode** - Appuyer sur le bouton **MODE** de manière répétitive pour alterner entre les différents modes : Mode automatique, refroidir, sécher et ventilateur uniquement. Une fois le mode sélectionné, une flèche s'allume sur l'écran LCD à côté du mode sélectionné sur la télécommande. Le mode Auto choisit automatiquement le mode climatiseur, déshumidificateur ou ventilateur selon la température actuelle de la pièce.



REMARQUE : MODE DE CHAUFFAGE NON DISPONIBLE

- 3) **Vitesse du ventilateur** - Appuyer sur le bouton de vitesse du **VENTILATEUR** pour modifier le cycle de lente, moyenne à haute vitesse. Les petites icônes du ventilateur s'allument selon le régime sélectionné. Si un plus grand nombre d'icônes de ventilateur s'allument et la vitesse est plus élevée. Les icônes de ventilateur se trouvent sur l'écran LCD à côté de l'étiquette de **VITESSE**.



- 4) **Réglage de la température** - Lorsque l'appareil est en mode climatisation, vous pouvez sélectionner la température désirée. Appuyer sur les boutons de **sélection de la température** (+ ou -) pour sélectionner votre température désirée. La température sur l'écran LCD de la télécommande permet d'augmenter ou de diminuer la température en conséquence. Maintenez les boutons +/- durant deux secondes pour augmenter ou diminuer rapidement la température.

## MODE D'EMPLOI DE LA TÉLÉCOMMANDE (suite)

5) **Initialisation de la minuterie automatique :** Lorsque la climatisation est à l'arrêt, l'appareil peut être réglé pour s'allumer automatiquement dans 30 minutes à 24 heures au mode et au réglage antérieur du ventilateur. Pour activer la minuterie automatique, appuyez sur le bouton **TIMER** du tableau de bord ou de la télécommande. Chaque pression sur les boutons +/- de la télécommande va modifier le réglage de la minuterie de 30 minutes (.5 heure). Les lumières **T-ON** et **H** clignotent lorsque la minuterie automatique est définie. Lorsque vous avez terminé, appuyez sur le bouton **TIMER** une fois de plus pour enregistrer le paramètre. Appuyez sur le bouton **ON/OFF** pour annuler le réglage de la minuterie.

**Arrêt de la minuterie automatique :** Lorsque la climatisation fonctionne, l'appareil peut être réglé pour se fermer automatiquement dans un délai de 30 minutes à 24 heures. Pour activer la minuterie automatique au mode arrêt, appuyez sur le bouton **TIMER** de la télécommande. Chaque pression sur les boutons +/- de la télécommande va modifier le réglage de la minuterie de 30 minutes (.5 heures). Les voyants lumineux **T-OFF** et **H** vont clignoter durant la configuration. Pour annuler la minuterie, appuyez sur le bouton marche/arrêt. Une fois que la minuterie est réglée, appuyez sur le bouton **TIMER** une fois de plus pour enregistrer le paramètre. Appuyez sur le bouton **ON/OFF** pour annuler le réglage de la minuterie.

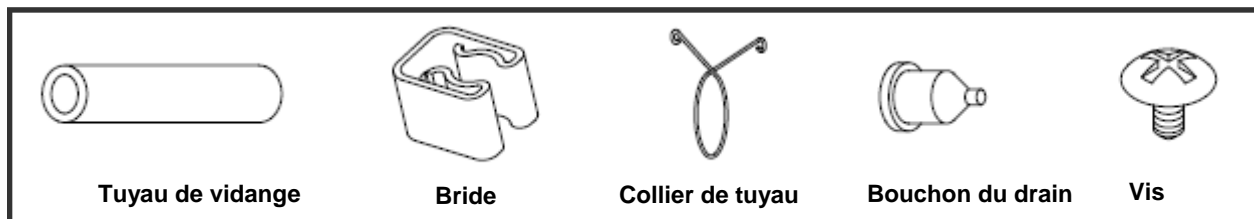
6) **Mode Veille** - appuyez sur le bouton **SLEEP** pour enclencher le mode veille. Le mode veille augmente automatiquement la température programmée de 1 °C après une heure et 2 °C après deux heures. Cette fonction limite l'utilisation du compresseur et améliore les économies d'énergie durant votre sommeil.

7) **Mode automatique** - Lorsque le mode **AUTO** est sélectionné, le climatiseur choisira automatiquement le mode de fonctionnement de base de la température ambiante actuelle. Lorsque la pièce est en dessous de 19 °C, le ventilateur du climatiseur va automatiquement faire circuler l'air dans la pièce. Lorsque la température ambiante est située entre 18 °C et 21 °C, le climatiseur fonctionne en mode ventilateur si ce mode a été sélectionné précédemment ou en mode déshumidificateur (si un autre mode a été utilisé auparavant) pour retirer l'humidité de l'air ainsi que pour abaisser la température de la pièce. Lorsque la température ambiante est située entre 22 °C et 27 °C, le climatiseur fonctionne toujours en mode déshumidificateur. Lorsque la température de la pièce dépasse 27 °C, l'appareil fonctionne en mode de climatisation afin d'optimiser le refroidissement. Le mode automatique utilise des paramètres prédéterminés pour vous garder confortable en choisissant le mode qui économise le plus d'énergie en fonction de la température de la pièce.



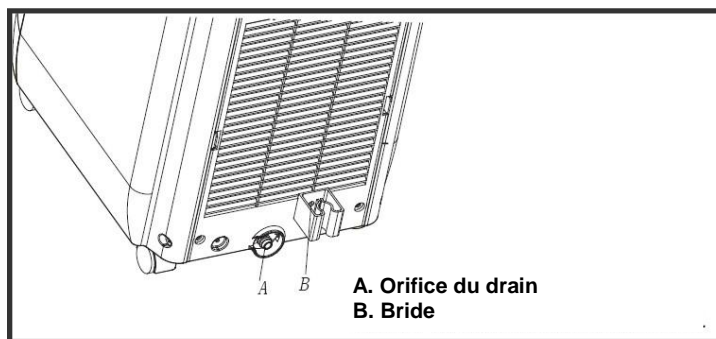
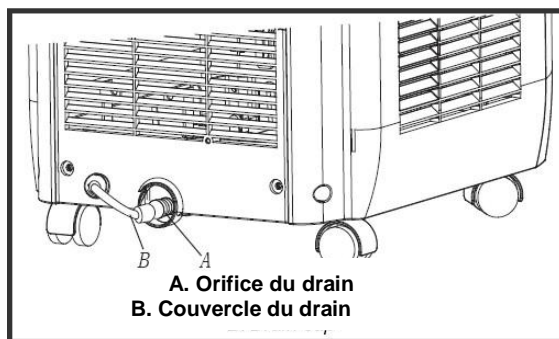
## VIDANGE DES EAUX RÉCUPÉRÉES

Lorsque la température ou l'humidité est trop élevée, le climatiseur peut ne pas avoir la capacité d'évaporer toute l'eau aussi rapidement que nécessaire. L'humidité qui n'est pas en mesure d'être évaporée est conservée dans un petit réservoir d'eau à l'intérieur de l'appareil. Lorsque le réservoir est rempli, une sonnerie retentit, le compresseur s'arrête et l'icône du bac plein s'allume sur le tableau de bord. Pour vider manuellement le réservoir, veuillez suivre les instructions ci-dessous.

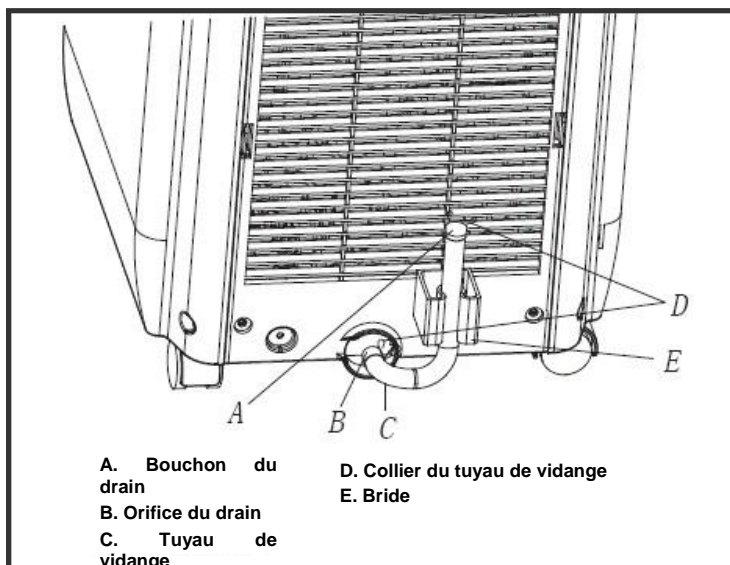


1) Retirer le bouchon du drain préinstallé de l'appareil (voir ci-dessous).

2) Attacher la bride avec les vis fournies (voir ci-dessous).



3) Fixer le tuyau de vidange à l'orifice du drain en utilisant le collier du tuyau de vidange. Insérer le bouchon de drain dans l'extrémité libre du tuyau de vidange et insérer le tuyau de vidange dans le collier. Une fois l'opération terminée, l'appareil peut facilement être vidangé en retirant le bouchon de vidange et en orientant le tuyau de vidange dans une petite casserole pour vider l'eau.



## ENTRETIEN

Remarque : vérifiez que l'alimentation est hors tension et que le cordon d'alimentation n'est pas branché sur une prise électrique avant d'effectuer tout entretien sur l'appareil.

Nettoyer ou remplacer le filtre - Si le filtre à air est obstrué par de la poussière, le volume d'air peut être réduit. Il est recommandé de nettoyer le filtre une fois toutes les deux semaines ou selon le besoin.

- 1) Retirer le filtre du compartiment du filtre à l'arrière de l'unité.
- 2) Laver le filtre à air en immergeant doucement dans l'eau chaude avec un détergent neutre. Rincer le filtre et le sécher soigneusement à l'abri de la lumière du soleil.
- 3) Faites glisser le filtre dans le compartiment à filtre après l'avoir soigneusement séché.
- 4) Si le filtre est déchiré ou inutilisable, commander un nouveau filtre en appelant le numéro de téléphone du service à la clientèle inscrit sur la page de garantie de ce manuel.

Nettoyer le boîtier de l'appareil

- 1) Maintenir l'appareil à l'abri d'une exposition directe au soleil pour éviter la décoloration.
- 2) Nettoyer la surface avec un chiffon humide et sécher avec un chiffon doux.

Entreposage de l'appareil durant une période de temps prolongée ou durant le transport de l'appareil

- 1) Vider toute l'eau excédentaire en retirant le bouchon de l'écoulement des eaux à l'arrière de l'appareil (situé en bas).
- 2) Débrancher l'appareil.
- 3) L'appareil doit être entreposé dans un endroit sec et frais.

## AVIS DE NON-RESPONSABILITÉ

L'ENSEMBLE DES RENSEIGNEMENTS SUR LE PRODUIT ET DES CARACTÉRISTIQUES TECHNIQUES DE CE GUIDE D'UTILISATION SONT PRÉSENTÉS PAR LE FABRICANT. SOLEUS INTERNATIONAL N'A PAS EFFECTUÉ DE TESTS INDÉPENDANTS POUR CONFIRMER LES RENSEIGNEMENTS ET LES CARACTÉRISTIQUES TECHNIQUES PRÉSENTÉS DANS LES PRÉSENTES.

## DÉPANNAGE

PROBLÈME	CAUSES POSSIBLES	SOLUTIONS
<b>Le climatiseur ne démarre pas</b>	Le climatiseur n'est pas branché ou n'est pas bien raccordé	<ul style="list-style-type: none"> <li>Assurez-vous que la fiche du climatiseur est entièrement insérée dans la prise électrique.</li> </ul>
	Le fusible est grillé ou le disjoncteur est déclenché	<ul style="list-style-type: none"> <li>Vérifier la boîte de fusibles ou de disjoncteurs et remplacer le fusible ou réinitialiser le disjoncteur.</li> </ul>
	Une panne d'alimentation	<ul style="list-style-type: none"> <li>L'appareil va automatiquement redémarrer lorsque l'alimentation est rétablie.</li> <li>Il y a un délai de protection (env. 3 MINUTES) pour empêcher le court-circuit du compresseur. Pour cette raison, le refroidissement normal peut ne pas se déclencher durant les 3 prochaines minutes après que l'appareil soit de nouveau en marche.</li> </ul>
	Le disjoncteur a été déclenché	<ul style="list-style-type: none"> <li>Appuyez sur le bouton de réinitialisation situé sur le cordon d'alimentation.</li> <li>Si le bouton de réinitialisation ne reste pas enclenché, cesser d'utiliser le climatiseur et contacter un technicien qualifié.</li> </ul>
<b>Le climatiseur ne refroidit pas comme il le devrait</b>	Le débit d'air est obstrué	<ul style="list-style-type: none"> <li>Assurez-vous qu'il n'y a pas de rideaux, de stores ou de meubles qui obstruent l'avant du climatiseur</li> </ul>
	La commande de température n'est peut-être pas définie correctement	<ul style="list-style-type: none"> <li>Abaisser la température du thermostat</li> </ul>
	Le filtre à air est sale	<ul style="list-style-type: none"> <li>Nettoyer le filtre. Consulter la section Nettoyage et entretien de ce manuel.</li> </ul>
	La pièce est peut-être trop chaude	<ul style="list-style-type: none"> <li>Veillez laisser le temps à la pièce de se refroidir après l'activation de la climatisation.</li> </ul>
	De l'air froid s'échappe	<ul style="list-style-type: none"> <li>Vérifier si les grilles du chauffage sont ouvertes ou les retours d'air froid</li> </ul>
	L'évaporateur est gelé	<ul style="list-style-type: none"> <li>L'appareil dégivre et va reprendre son fonctionnement lorsque l'opération est terminée.</li> </ul>
<b>La télécommande ne fonctionne pas</b>	Les piles ne sont pas bien insérées	<ul style="list-style-type: none"> <li>Vérifier la position des piles.</li> </ul>
	Les piles n'ont plus de charge	<ul style="list-style-type: none"> <li>Remplacer les piles</li> </ul>

## DÉPANNAGE (SUITE)

<b>PROBLÈME</b>	<b>CAUSES POSSIBLES</b>	<b>SOLUTIONS</b>
<b>L'afficheur DEL affiche « E5 »</b>	Protection contre la sous-tension	<ul style="list-style-type: none"><li>• Débrancher l'appareil pendant 10 minutes, puis rallumer. Si « E5 » est toujours allumé, communiquer avec le service à la clientèle.</li></ul>
<b>L'afficheur DEL affiche « H8 »</b>	Le réservoir d'eau est plein	<ul style="list-style-type: none"><li>• Vidanger le réservoir d'eau</li><li>• Si le code « H8 » est toujours affiché après que l'eau du réservoir ait été vidée, communiquer avec le service à la clientèle.</li></ul>
<b>L'afficheur DEL affiche « F1 »</b>	Le capteur de la température de l'air de la pièce ne fonctionne pas bien	<ul style="list-style-type: none"><li>• Veuillez en informer le service d'entretien</li></ul>
<b>L'afficheur DEL affiche « F2 »</b>	Le tube du capteur de la température ne fonctionne pas bien.	<ul style="list-style-type: none"><li>• Veuillez en informer le service d'entretien</li></ul>

# GARANTIE

## Garantie limitée d'une année

Soleus International inc. garantit le climatiseur portable Gree contre tout défaut de fabrication, de pièces et de main-d'œuvre, si le climatiseur est utilisé conformément aux directives spécifiées dans ce guide d'utilisation, pour une période d'UNE (1) année à compter de la date de votre achat aux États-Unis.

Si l'appareil présente un défaut de fabrication dans des conditions d'utilisation normale, Soleus International inc. va soit réparer ou remplacer gratuitement l'appareil, dans un délai de temps raisonnable après le retour de l'appareil durant la période de garantie.

Toute garantie de service n'est valable que si le consommateur présente ce Certificat de garantie accompagné d'une copie de la facture d'achat originale.

### CETTE GARANTIE NE COUVRE PAS :

- Les dommages, accidentels ou autres, à l'appareil en possession du consommateur, qui ne sont pas le résultat d'un défaut des pièces ou de la main-d'œuvre.
- Les dommages causés par une mauvaise utilisation du consommateur, une altération ou le non-respect des directives particulières d'entretien et de manipulation.
- Les dommages à la finition, à l'enveloppe ou à des pièces décoratives causés par l'usure.
- Les dommages causés par les réparations ou les altérations de l'appareil par toute personne autre que les agents autorisés par Soleus International inc.
- Les frais du transport et de l'assurance pour le service de garantie.

**TOUTES LES GARANTIES ASSOCIÉES À CE PRODUIT, INCLUANT LES GARANTIES IMPLICITES DU COMMERÇANT, SONT LIMITÉES À LA DURÉE D'UNE ANNÉE DE LA PRÉSENTE GARANTIE LIMITÉE. SOLEUS INTERNATIONAL INC. DÉCLINE TOUTE RESPONSABILITÉ ASSOCIÉE À DES DOMMAGES DIRECTS OU INDIRECTS ET EN AUCUN CAS LA RESPONSABILITÉ DE SOLEUS INTERNATIONAL INC. NE PEUT ÊTRE SUPÉRIEURE À LA VALEUR DE VENTE DE CET APPAREIL SUITE À UNE VIOLATION DES ENGAGEMENTS ÉCRITS OU DE LA GARANTIE IMPLICITE QUI CONCERNE CET APPAREIL.**

Cette garantie ne couvre que les nouveaux produits achetés par des distributeurs ou des commerçants autorisés. Elle ne couvre pas les produits usagés, de seconde main ou réusinés.

Comme certains États ne permettent pas d'exclure les dommages directs ou indirects, ou ne permettent pas les limitations sur les garanties implicites, les limitations ci-dessus et les exclusions peuvent ne pas s'appliquer à vous. Cette garantie vous donne des droits juridiques précis, et vous pourriez bénéficier également d'autres droits qui peuvent varier d'un État à l'autre.

### Pour le soutien technique et le service de garantie

Veillez composer le 888 876-5387

Ou écrivez à :

SOLEUS INTERNATIONAL INC.

20035 E. Walnut Dr, North.

City of Industry, CA 91789 USA

[Www.soleusair.com](http://www.soleusair.com)