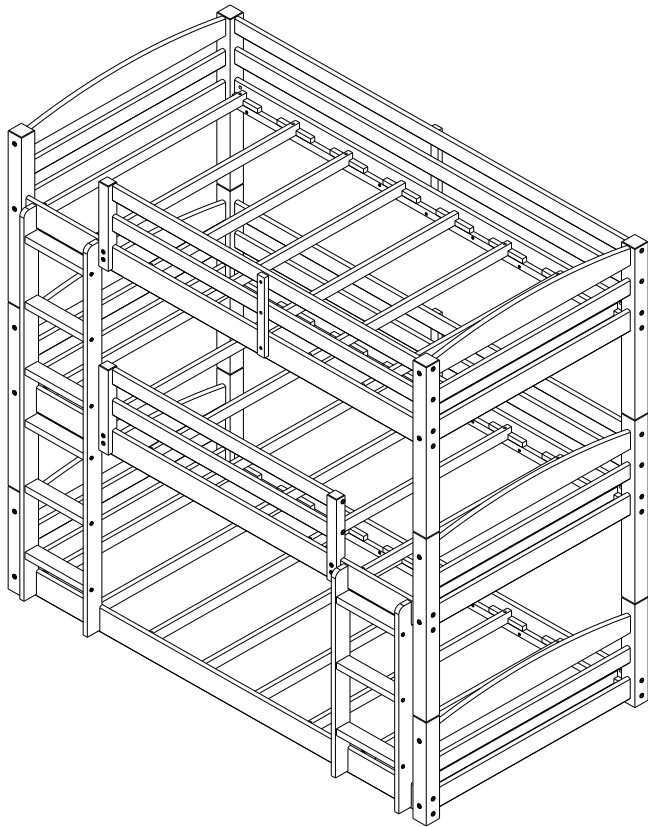


# TRIPLE BUNKBED

Model Number:	UPC Code:	Color:
WM7891TBB	0-65857-18614-7	Mocha
WM7891TBBW	0-65857-18664-2	White
WM7891TBBG	0-65857-19463-0	Grey
WM7891TBBB	0-65857-19662-7	Black

Customer satisfaction is important to us at Dorel Asia. Our agents are available Monday to Friday 8am to 5pm (EST) to answer any question you may have. For faster service, always have the model number ready when calling our toll free number **1-800-295-1980** or emailing us at **das@dorel.com**.

For more great furniture ideas, check out our website at [www.dorelliving.com](http://www.dorelliving.com)  
You can also keep up to date on all the latest trends by liking our [Facebook page](#).



## ATTENTION

**USE THIS  
MANUAL TO  
ASSEMBLE THE  
TRIPLE BUNK  
BED**

Date of Purchase: \_\_\_\_ / \_\_\_\_ / \_\_\_\_

Lot Number: \_\_\_\_\_  
(taken from carton)

**DO NOT RETURN PRODUCT TO THE RETAILER.** If a part is missing or damaged, contact our customer service department. We will replace the part **FREE** of charge.

NOTE: THIS INSTRUCTION BOOKLET CONTAINS **IMPORTANT** SAFETY INFORMATION. PLEASE READ AND KEEP FOR FUTURE REFERENCE.

## CUSTOMER SERVICE

If you are missing parts or have any questions about this product, contact our customer service representative first!



**CALL 1-800-295-1980**

You can also order parts by writing to the address listed below. Please include the product model number, color and a detailed description of the part.

**Customer Service Department No. 413  
12345 Albert-Hudon Boulevard, Suite 100  
Montreal, Quebec  
Canada, H1G 3L1**

**E-MAIL: [das@dorel.com](mailto:das@dorel.com)**



## WARNING

- \* **STRANGULATION HAZARD - NEVER ATTACH OR HANG ITEMS TO ANY PART BUNK BED THAT ARE NOT DESIGNED FOR USE WITH THE BED; FOR EXAMPLE, BUT NOT LIMITED TO HOOKS, BELTS AND JUMP ROPES.**
- \* FOLLOW THE INFORMATION ON THE WARNINGS APPEARING ON THE UPPER BUNK END STRUCTURE AND ON THE CARTON. DO NOT REMOVE WARNING LABEL FROM BED.
- \* THE MATTRESS PLATFORM IS DESIGNED TO SUPPORT A MATTRESS WITHOUT THE NEED FOR A POSTURE BOARD OR BOX SPRING.
- \* ALWAYS USE THE RECOMMENDED SIZE MATTRESS OR MATTRESS SUPPORT, OR BOTH, TO HELP PREVENT THE LIKELIHOOD OF ENTRAPMENT OR FALLS.
- \* **USE ONLY COIL SPRING MATTRESSES ON BOTH THE UPPER AND LOWER BUNKS. FAILURE TO DO SO CAN RESULT IN INJURY.**
- \* USE ONLY MATTRESSES WHICH ARE 74"-75" LONG AND 37 1/2" - 38 1/2" WIDE ON UPPER AND ON LOWER BUNKS. ENSURE THICKNESS OF MATTRESS DOES NOT EXCEED 6". SURFACE OF MATTRESS MUST BE AT LEAST 5" (127MM) BELOW THE UPPER EDGE OF GUARDRAILS.
- \* DO NOT ALLOW CHILDREN UNDER 6 YEARS OF AGE TO USE THE UPPER BUNK.
- \* ALWAYS USE GUARDRAILS ON BOTH LONG SIDES OF THE UPPER BUNK. IF THE BUNK BED WILL BE PLACED NEXT TO THE WALL, THE GUARDRAIL THAT RUNS THE FULL LENGTH OF THE BED SHOULD BE PLACED AGAINST THE WALL TO PREVENT ENTRAPMENT BETWEEN THE BED AND WALL (APPLICABLE FOR BUNK BEDS WITH FULL LENGTH GUARDRAILS ON ONE SIDE).
- \* PERIODICALLY CHECK AND ENSURE THAT THE GUARDRAIL, LADDER AND OTHER COMPONENTS ARE IN THEIR PROPER POSITION, FREE FROM DAMAGE, AND THAT ALL CONNECTORS ARE TIGHT.
- \* DO NOT ALLOW HORSEPLAY ON OR UNDER THE BED AND PROHIBIT JUMPING ON THE BED.
- \* DO NOT USE SUBSTITUTE PARTS. CONTACT CUSTOMER SERVICE FOR REPLACEMENT PARTS.
- \* USE OF A NIGHT LIGHT MAY PROVIDE ADDED SAFETY PRECAUTION FOR A CHILD USING THE UPPER BUNK.
- \* THE USE OF WATER OR SLEEP FLOTATION MATTRESSES IS PROHIBITED.
- \* ALWAYS USE THE LADDER FOR ENTERING AND LEAVING THE UPPER BUNK.
- \* PROHIBIT MORE THAN ONE PERSON ON UPPER BUNK.
- \* KEEP THESE INSTRUCTIONS FOR FUTURE USE.

# NOTES

- \* READ EACH STEP CAREFULLY BEFORE STARTING. IT IS VERY IMPORTANT THAT EACH STEP OF INSTRUCTION IS PERFORMED IN THE CORRECT ORDER. IF THESE STEPS ARE NOT FOLLOWED IN SEQUENCE, ASSEMBLY DIFFICULTIES WILL OCCUR AND CAN RESULT IN INJURY.
- \* **CAUTION:** ADULT ASSEMBLY REQUIRED
- \* MAKE SURE ALL PARTS ARE INCLUDED. WORK IN SPACIOUS AREA, PREFERABLY ON A SMOOTH SOFT SURFACE.
- \* ASSEMBLY WILL REQUIRE TWO PEOPLE.
- \* MOST BOARD PARTS ARE LABELED OR STAMPED ON THE RAW EDGE.
- \* PHILLIPS SCREWDRIVER (NOT INCLUDED) IS REQUIRED.
- \* A RUBBER Mallet (NOT INCLUDED) IS RECOMMENDED TO FACILITATE ASSEMBLY.
- \* BED IS DESIGNED FOR CHILDREN RANGING FROM 6 YEARS OF AGE TO YOUNG TEENAGERS.
- \* **CAUTION:** ADULT ASSEMBLY REQUIRED. ASSEMBLY WILL REQUIRE 2 PEOPLE. ESTIMATED ASSEMBLY TIME 45 MINUTES.

## CARE AND CLEANING

Dust regularly with a soft, dry cloth. We do not recommend the use of chemical cleaners or wax on our lacquered furniture as it may damage the finish. Keep solvents, alcohol, nail polish and polish removers away from your hardwood furniture surfaces.

## MAINTENANCE

Check bolts/screws periodically and tighten them if necessary.

## LIMITED WARRANTY

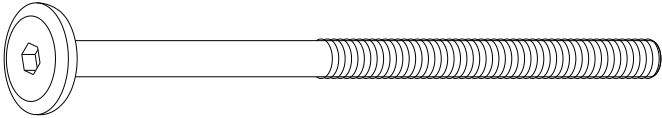
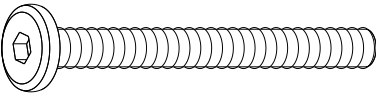
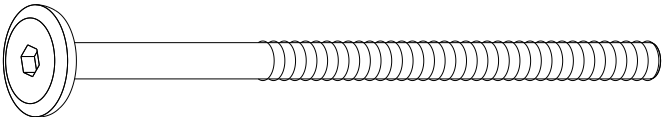
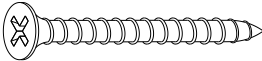

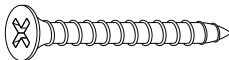
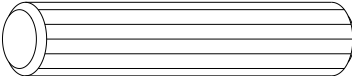
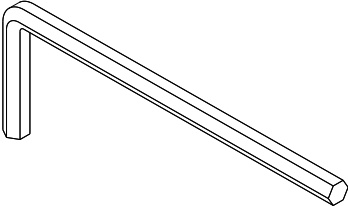
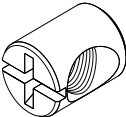
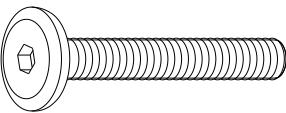
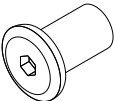
DOREL warrants its product to be free from defects in material and workmanship and agrees to remedy any such defect. This warranty covers 1 year from the date of original purchase. This warranty is valid only upon presentation of proof of purchase. This is solely limited to the repair or replacement of defective furniture components and no assembly labor is included. This warranty does not apply to any product which has been improperly assembled, subjected to misuse or abuse or which has been altered or repaired in any way. This warranty gives you specific legal rights and you may also have other rights which vary from State to State



**WARNING: Should this product become damaged, and/or components are broken or missing, DO NOT USE.**

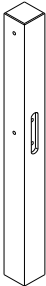
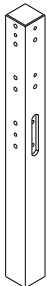



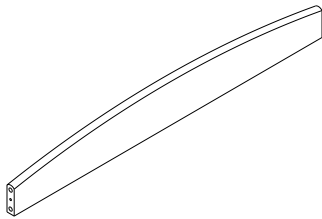
# TRIPLE BUNK BED

## HARDWARE LIST

<p><b>1</b></p>  <p>Φ 1/4" x 100mm</p>	<p><b>2</b></p>  <p>Φ 6.5mm x 48mm</p>	
<p>JOINT CONNECTOR (4mm HEX HEAD) 24 PCS</p>	<p>WOOD JOINT CONNECTOR (4mm HEX HEAD) 28 PCS</p>	
<p><b>3</b></p>  <p>Φ 6.5mm x 100mm</p>	<p><b>4</b></p>  <p>Φ 4mm x 35mm</p>	
<p>WOOD JOINT CONNECTOR (4mm HEX HEAD) 40 PCS</p>	<p>FLAT HEAD SCREW 36 PCS</p>	
<p><b>5</b></p>  <p>Φ 10mm x 100mm</p>	<p><b>6</b></p>  <p>Φ 4mm x 30mm</p>	
<p>METAL DOWEL 8 PCS</p>	<p>FLAT HEAD SCREW 9 PCS</p>	
<p><b>7</b></p>  <p>Φ 10mm x 50mm</p>	<p><b>8</b></p> 	
<p>WOOD DOWEL 106 PCS</p>	<p>ALLEN KEY 1 PC</p>	
<p><b>9</b></p>  <p>Φ 11.8mm x 15mm</p>	<p><b>10</b></p>  <p>Φ 1/4" x 32mm</p>	<p><b>11</b></p>  <p>Φ 9mm x 17mm</p>
<p>BARREL NUT 24 PCS</p>	<p>JOINT CONNECTOR (4mm HEX HEAD) 6 PCS</p>	<p>HEX CAP 6 PCS</p>

# TRIPLE BUNK BED

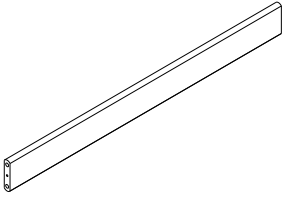
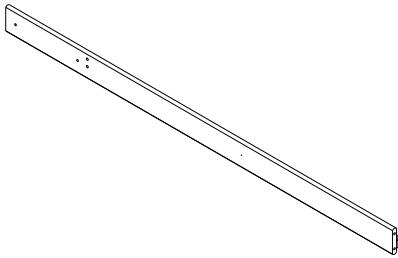
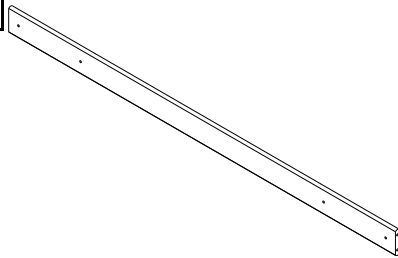
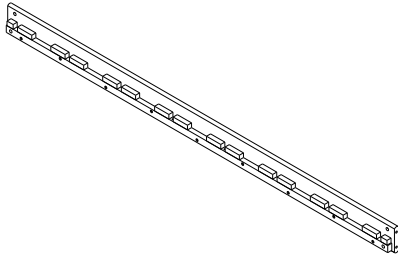
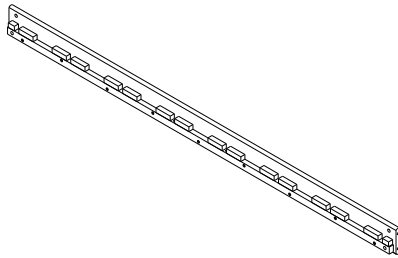
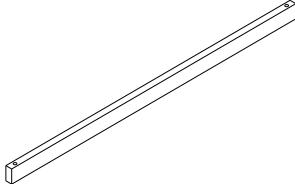
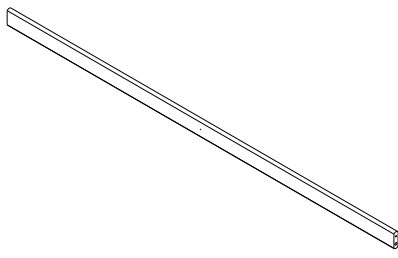
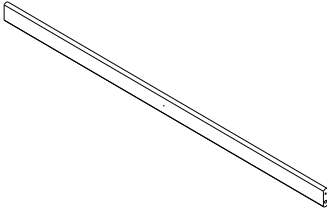


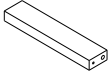

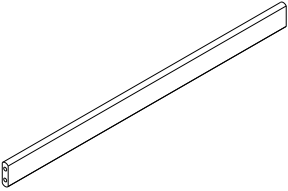
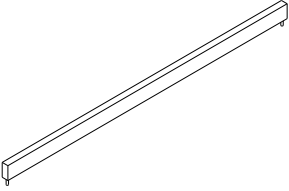
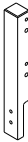
## PARTS LIST

<b>A</b> 	<b>B</b> 	<b>C</b> 
TOP POST 1 PC	TOP POST 2 PCS	TOP POST 1 PC
<b>D</b> 	<b>E</b> 	<b>F</b> 
BOTTOM POST 2 PCS	BOTTOM POST 2 PCS	HEADBOARD TOP CROSS 6 PCS

NOTE- the components needed to assemble the triple bunk bed are packed in 2 boxes. Make sure that all parts are accounted for before beginning assembly.



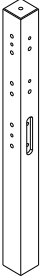


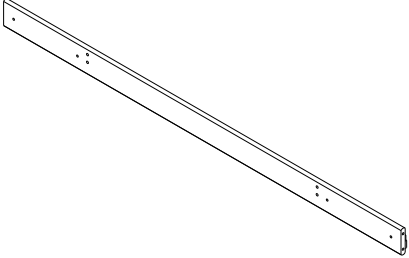
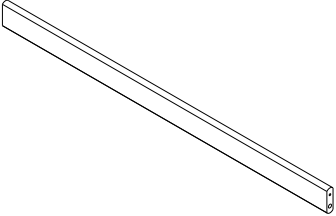
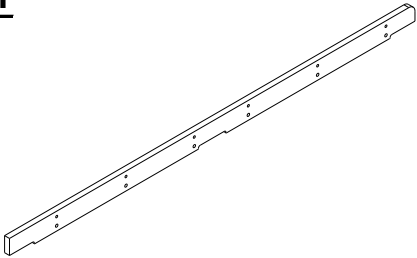
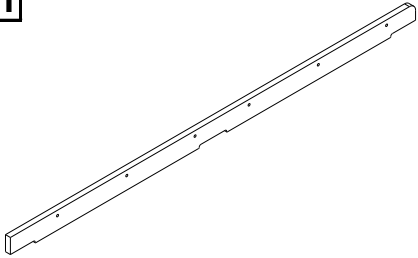
# TRIPLE BUNK BED

## PARTS LIST

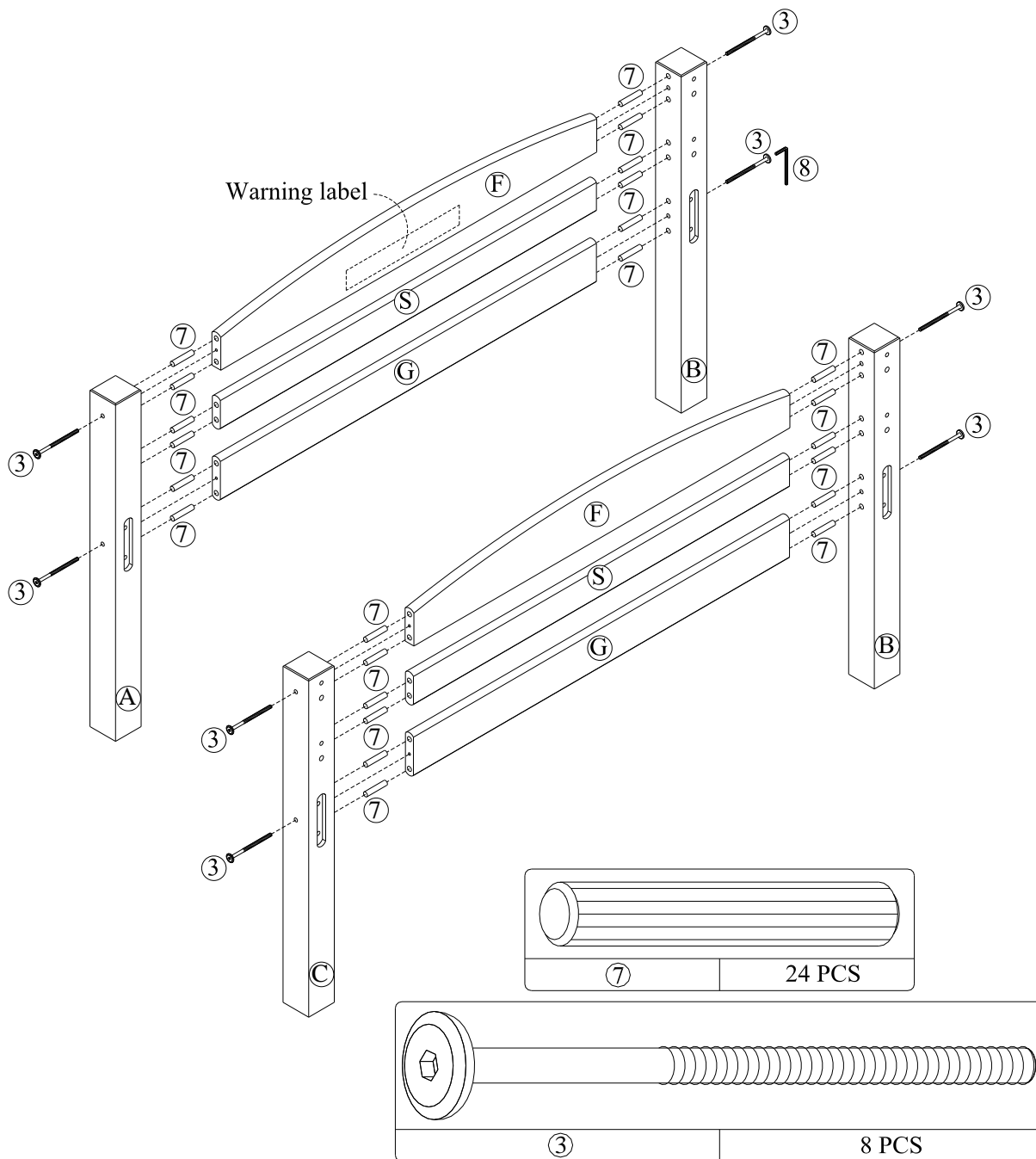
<b>G</b> 	<b>H</b> 	<b>I</b> 
HEADBOARD BOTTOM CROSS 6 PCS	TOP FRONT SIDE RAIL 1 PC	BOTTOM FRONT SIDE RAIL 1 PC
<b>J</b> 	<b>K</b> 	<b>L</b> 
BACK SIDE RAIL 2 PCS	BOTTOM BACK SIDE RAIL 1 PC	SLAT WITHOUT WOOD DOWEL 18 PCS
<b>M</b> 	<b>N</b> 	<b>O</b> 
LONG GUARDRAIL 4 PCS	SHORT GUARDRAIL 2 PCS	LEFT LADDER END 1 PC
<b>P</b> 	<b>Q</b> 	<b>R</b> 
RIGHT LADDER END 1 PC	LADDER STEP 9 PCS	GUARDRAIL LEG 3 PCS
<b>S</b> 	<b>T</b> 	<b>U</b> 
HEADBOARD CENTER CROSS 6 PCS	SLAT WITH WOOD DOWEL 6 PCS	GUARDRAIL POST 2 PCS

# TRIPLE BUNK BED

## PARTS LIST

<p><b>V</b></p> 	<p><b>W</b></p> 	<p><b>X</b></p> 
<p>RIGHT GUARDRAIL POST 1 PC</p>	<p>CENTER POST 1 PC</p>	<p>CENTER POST 1 PC</p>
<p><b>Y</b></p> 	<p><b>Z</b></p> 	<p><b>A1</b></p> 
<p>CENTER POST 1 PC</p>	<p>CENTER POST 1 PC</p>	<p>FRONT SIDE RAIL 1 PC</p>
<p><b>B1</b></p> 	<p><b>C1</b></p> 	<p><b>D1</b></p> 
<p>SHORT GUARDRAIL 2 PCS</p>	<p>LONG LADDER LEFT END 1 PC</p>	<p>LONG LADDER RIGHT END 1 PC</p>

# TRIPLE BUNK BED



## STEP 1

Insert wood dowels (7) into the ends of headboard top cross (F), headboard bottom cross (G) and headboard center cross (S). Attach them to top posts (A & B) using wood joint connectors (3) as shown. Tighten the wood joint connectors (3) with the Allen key (8).

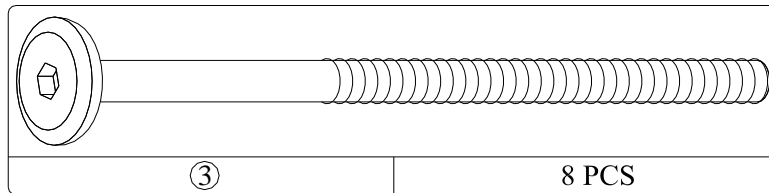
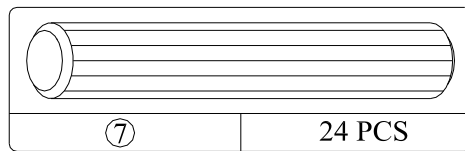
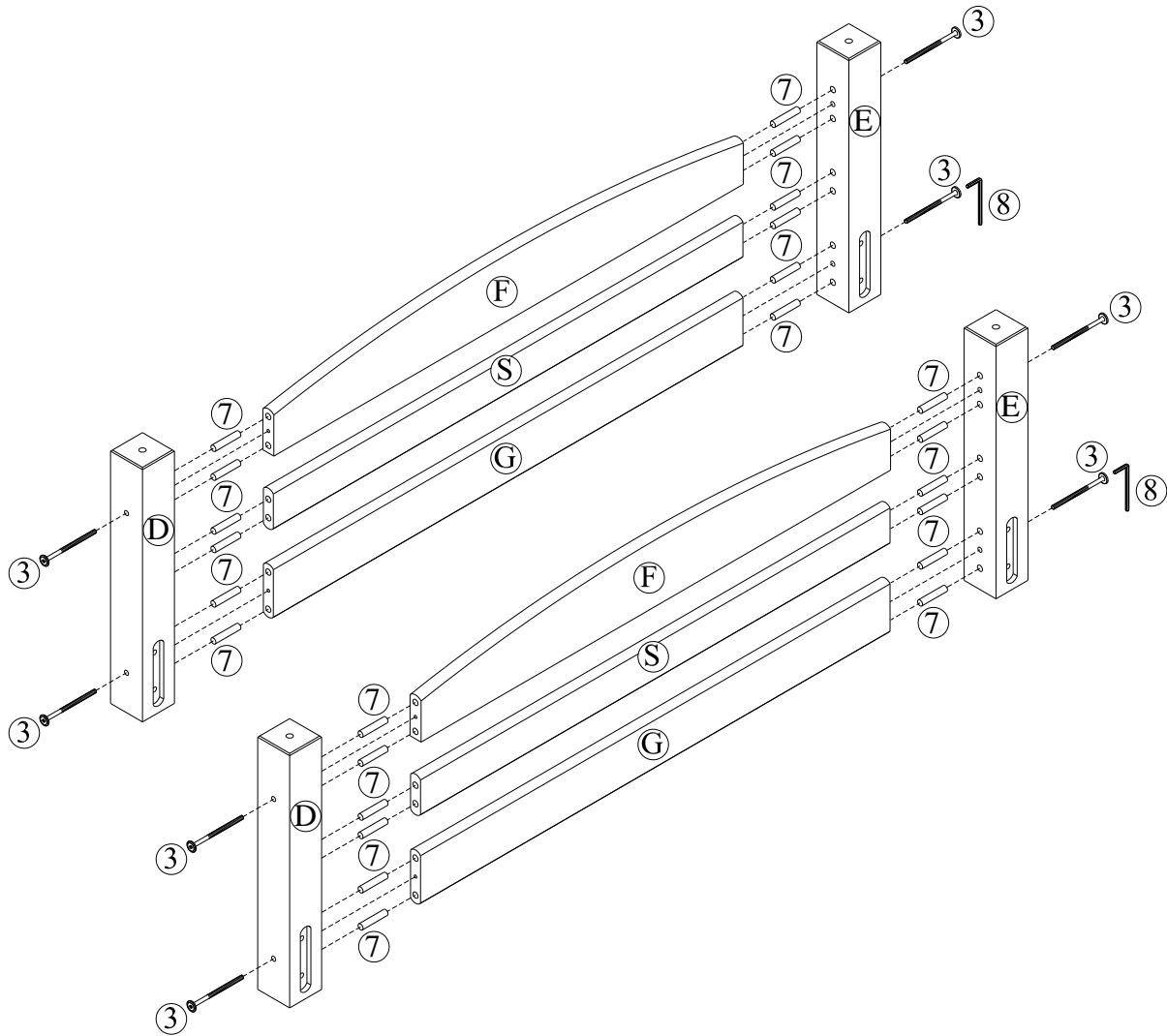
**NOTES:** Headboard top crosses (F, G & S) may require that they be pulled closer together or further apart in order to allow wood dowels (7) to align with holes in top posts (A & B).

Repeat this previous step to assemble the other headboard using posts (B & C).

**NOTE:** Be sure to use headboard top cross (F) with warning label attached to it is between top posts (A) and (B). See the above illustration for label orientation.



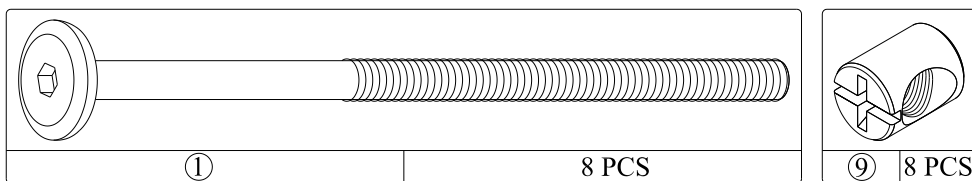
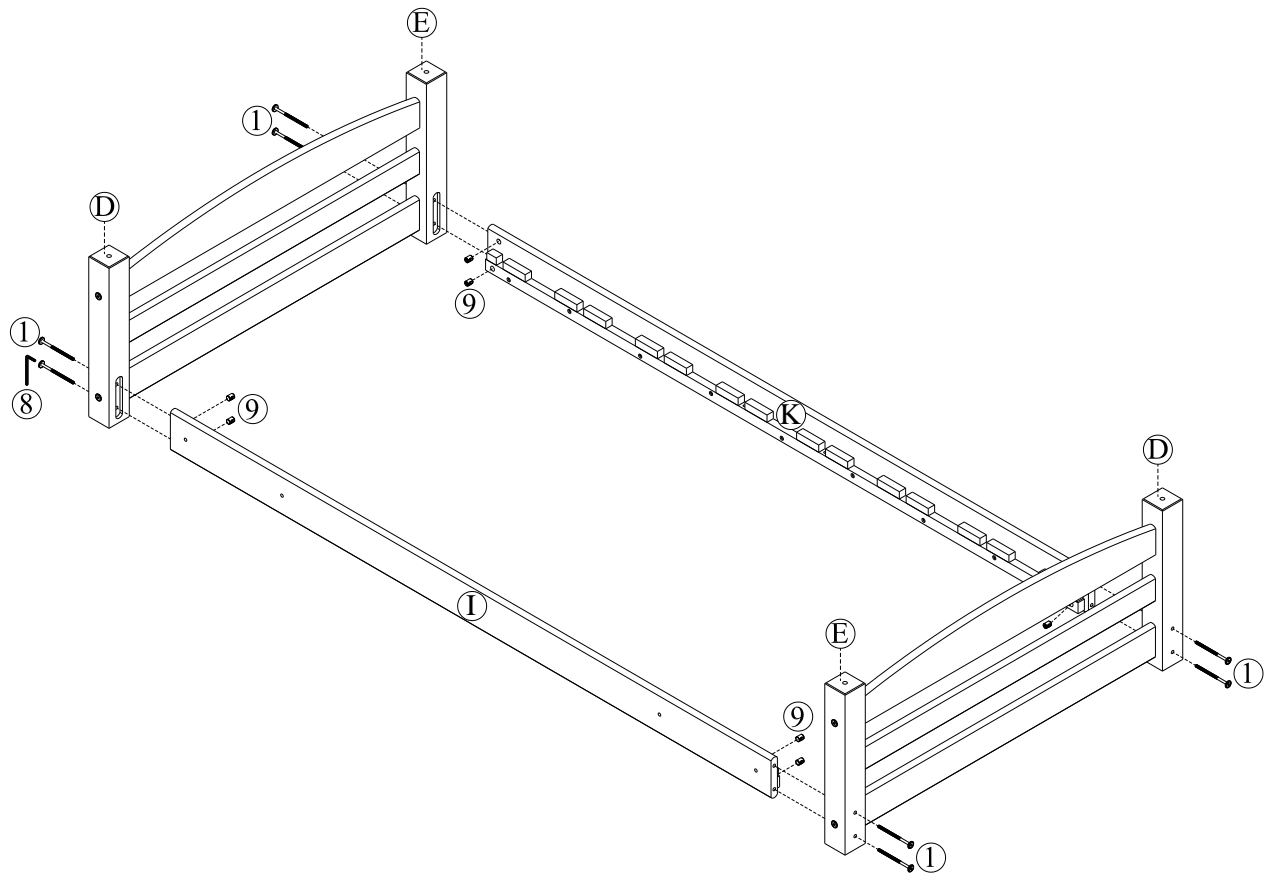
# TRIPLE BUNK BED



## STEP 2

Insert wood dowels (7) into the ends of headboard top cross (F), headboard bottom cross (G) and headboard center cross (S) and attach them to bottom posts (D) & (E) using wood joint connectors (3) as shown. Tighten the wood joint connectors (3) with the Allen key (8).

# TRIPLE BUNK BED

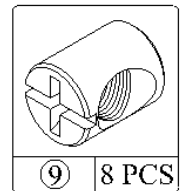
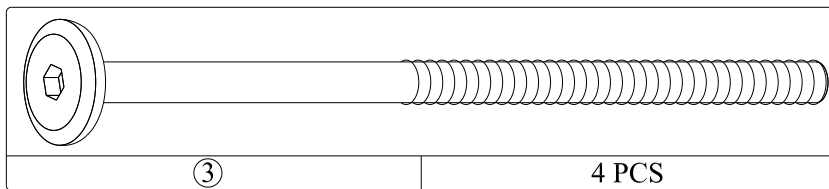
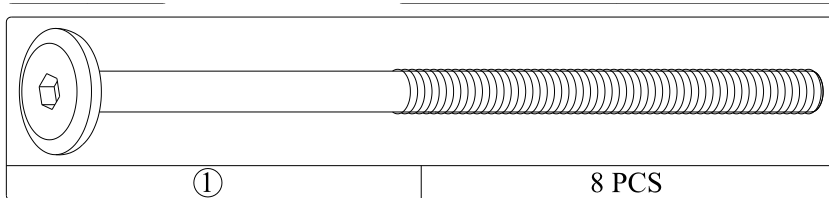
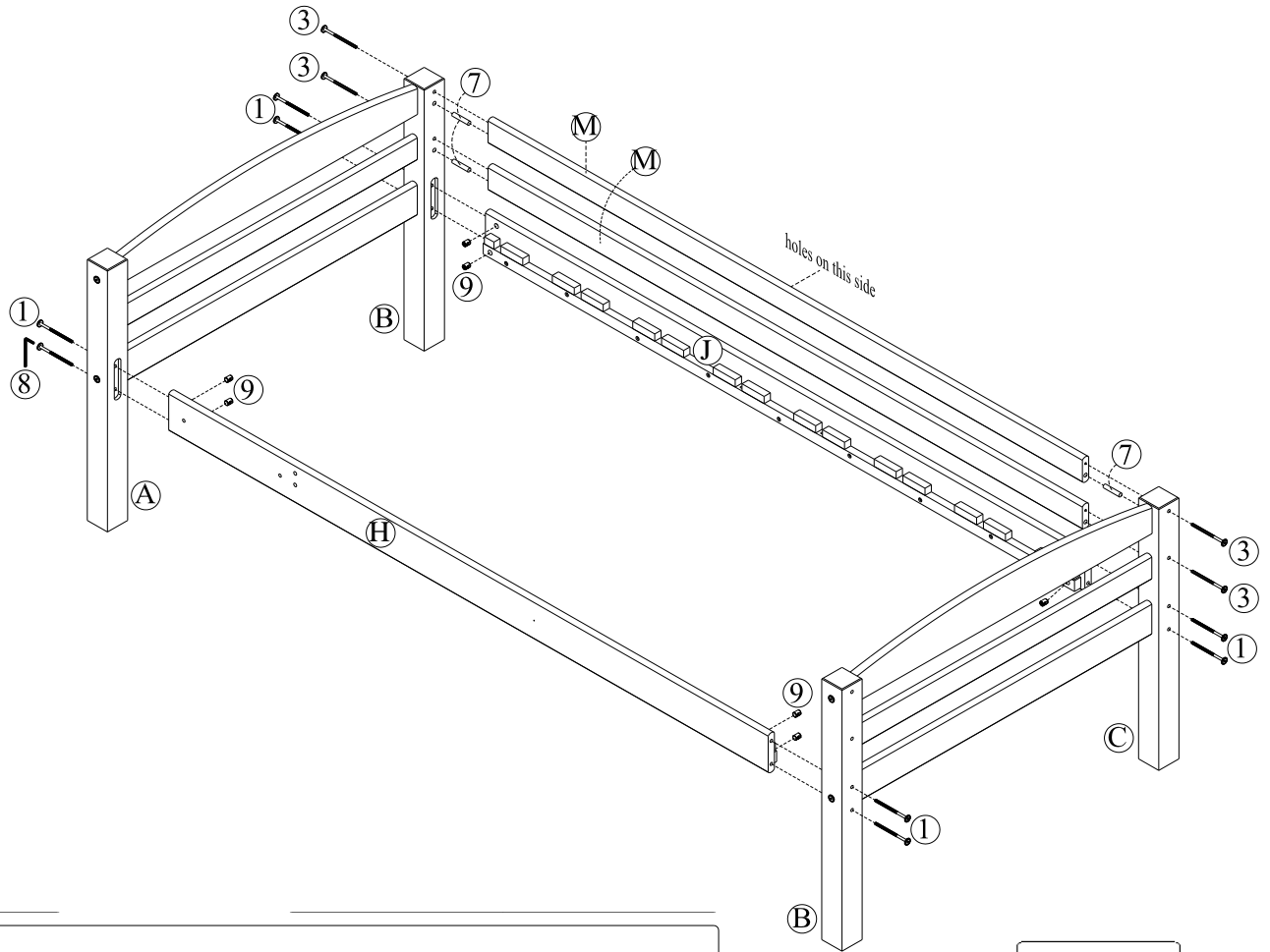


## STEP 3

Attach the two headboards with bottom posts (D & E) to bottom front side rail (I) and bottom back side rail (K) using joint connectors (1) and barrel nuts (9) as shown. Tighten the joint connectors (1) with the Allen key (8).

Note: This is the lower bunk.

# TRIPLE BUNK BED



## STEP 4

Insert wood dowels (7) into each end of the long guardrails (M).

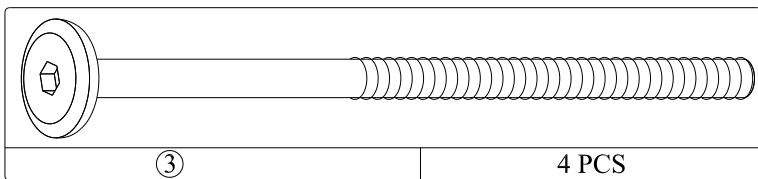
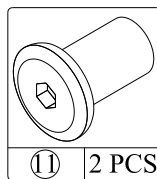
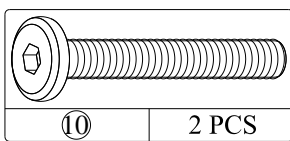
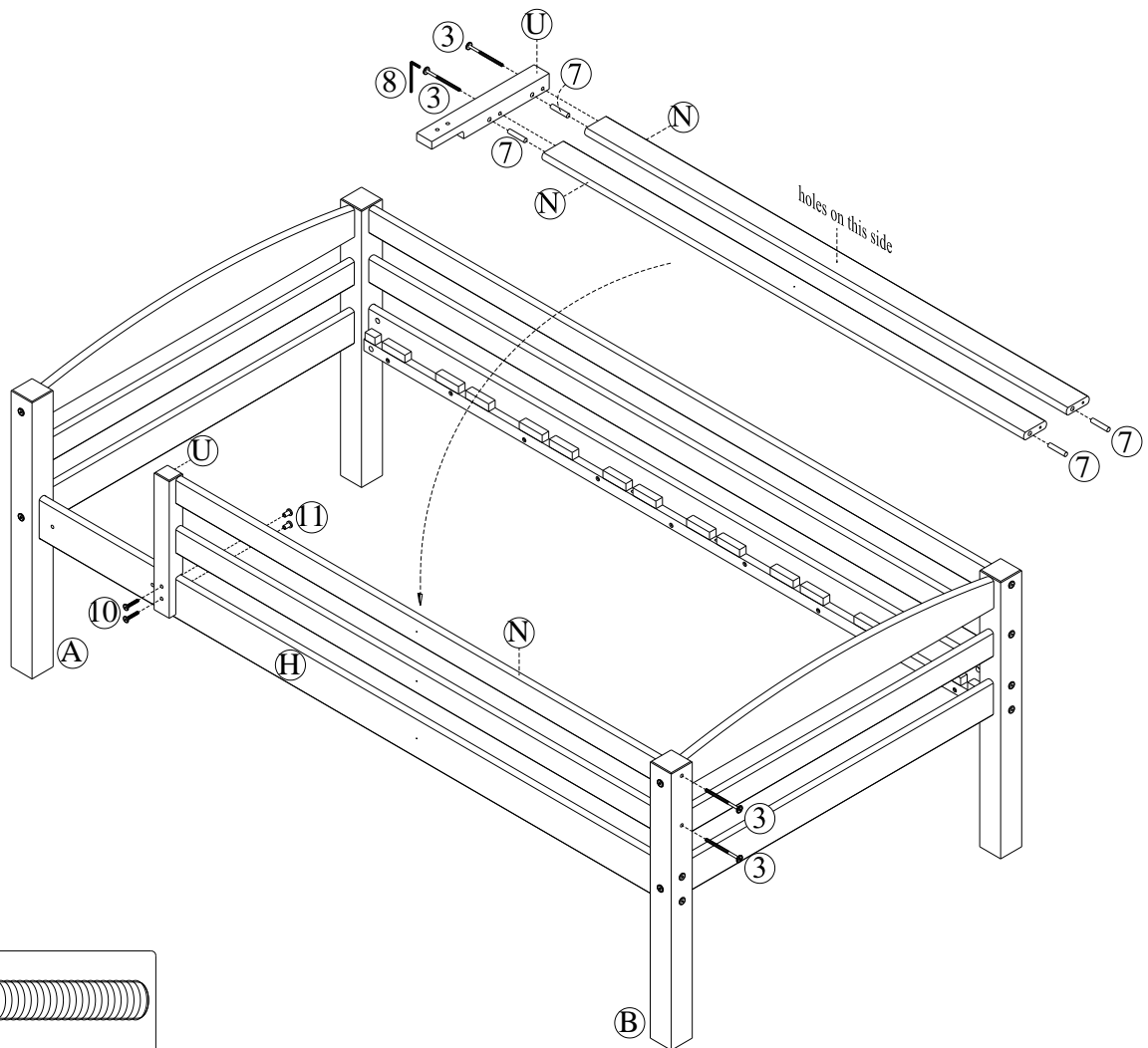
Attach two long guardrails (M) and two top side rails (H & J) to top posts (A & B) and (C & B) as shown.

Fasten top side rails (H & J) with joint connectors (1) and barrel nuts (9). Fasten long guardrails (M) with wood joint connectors (3).

Tighten the joint connectors (1) and wood joint connectors (3) with the Allen key (8).

Note: This is the top bunk.

# TRIPLE BUNK BED

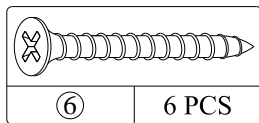
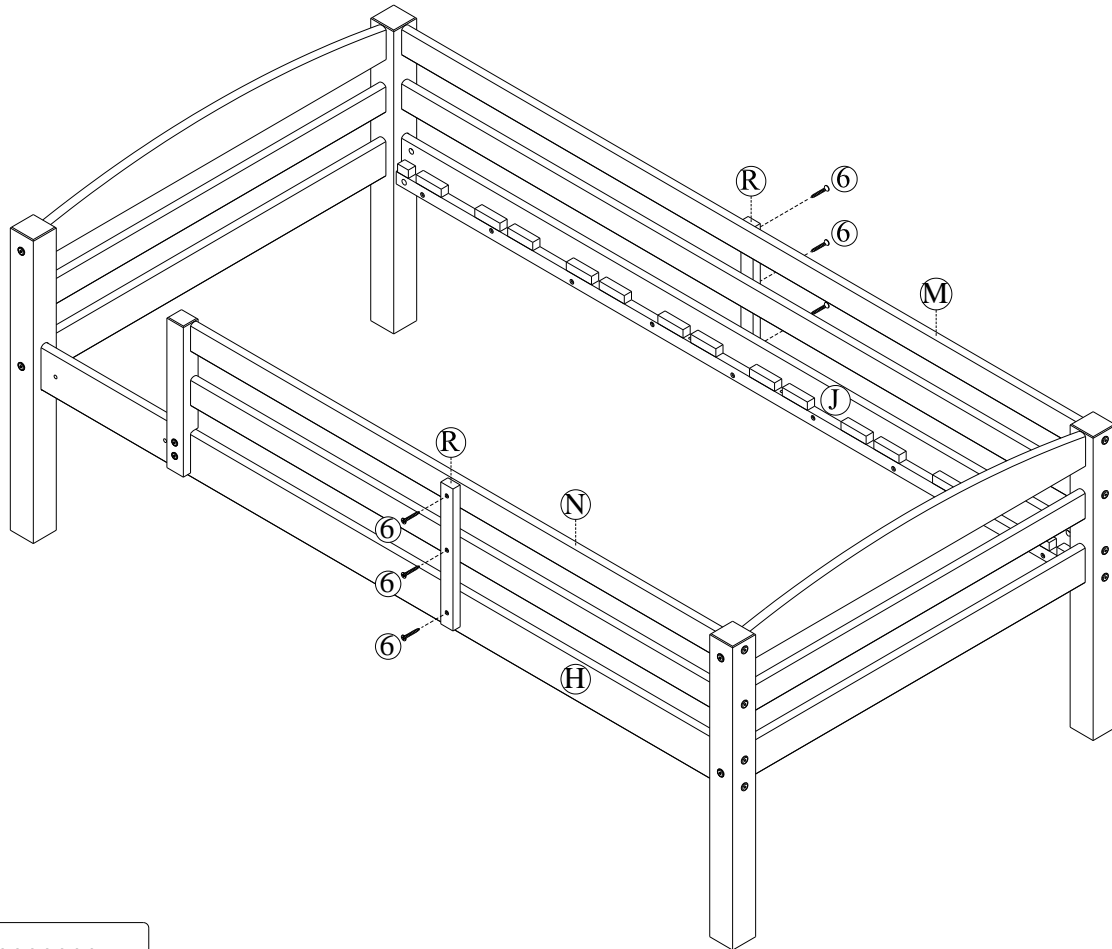


## STEP 5

Insert wood dowels (7) into short guardrails (N). Attach short guardrails (N) to guardrail post (U) with wood joint connectors (3) as shown.

Fasten the short guardrails (N) to top post (B) with wood joint connectors (3). Fasten the guardrail post (U) to top front side rail (H) with joint connectors (10) and hex cap (11) as shown.

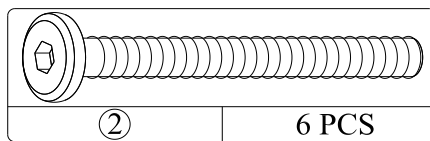
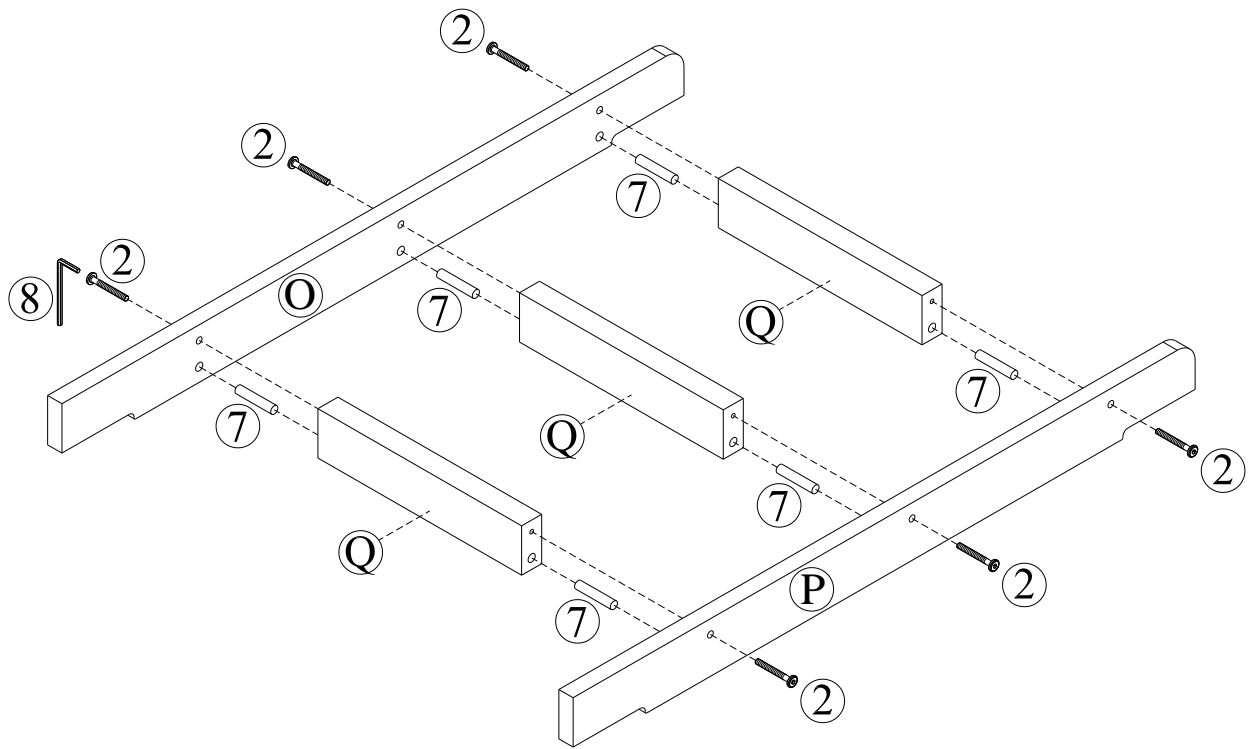
# TRIPLE BUNK BED



## STEP 6

Attach the guardrail leg (R) to the short guardrails (N) and top front side rail (H) with flat head screws (6). Attach the other guardrail leg (R) (on the other side of the bed) to long guardrails (M) and top back side rail (J) with flat head screws (6) as shown. Use a Phillips head screwdriver (not included) to tighten the flat head screws.

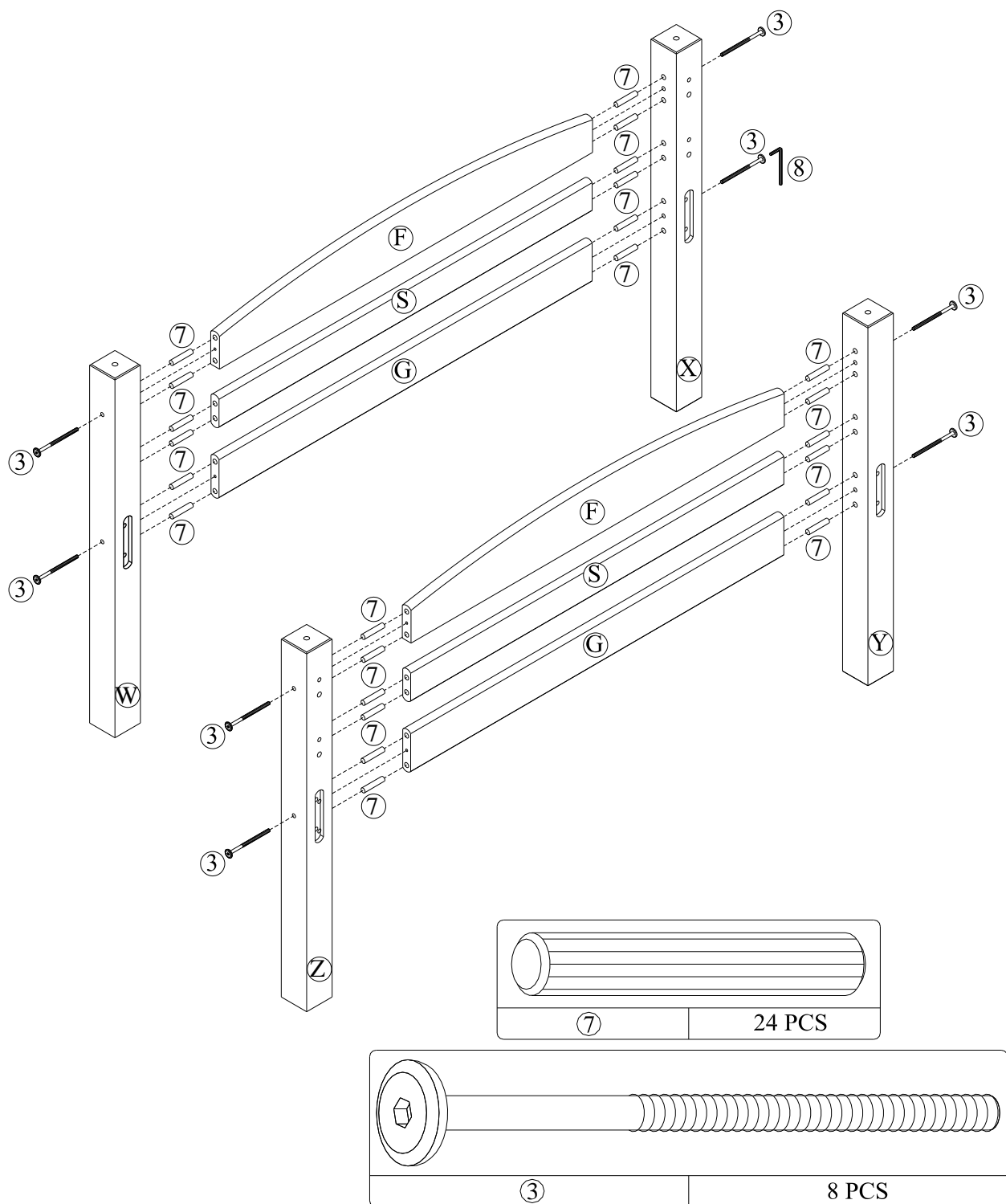
# TRIPLE BUNK BED



## STEP 7

Insert wood dowels (7) into the end of the ladder steps (Q). Attach left ladder end (O) and right ladder end (P) to ladder steps (Q) with wood joint connectors (2). Tighten the wood joint connectors (2) with the Allen key (8).

# TRIPLE BUNK BED



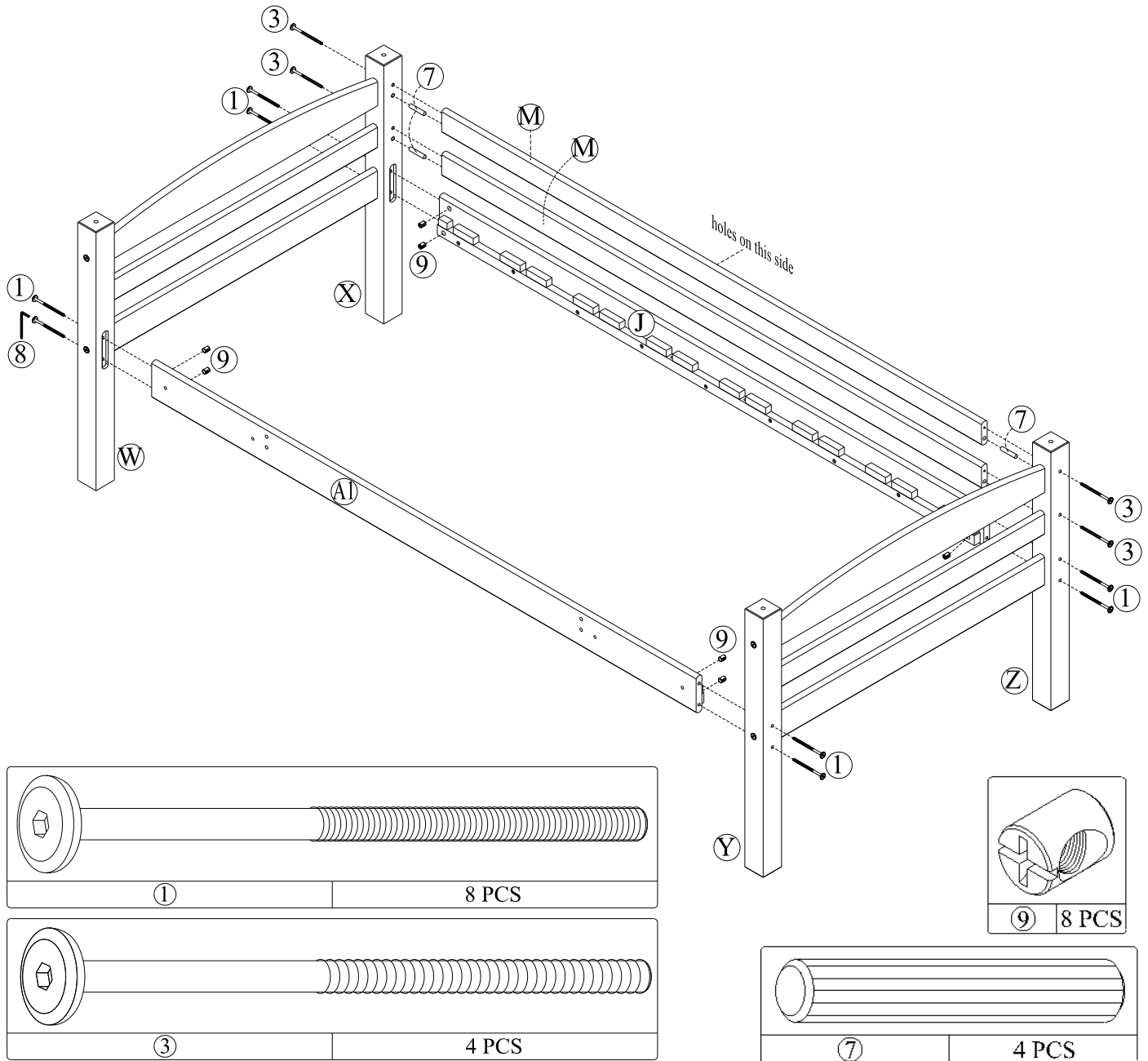
## STEP 8

Insert wood dowels (7) into the ends of headboard top cross (F), headboard bottom cross (G) and headboard center cross (S). Attach the center posts (W & X) using wood joint connectors (3) and Allen key (8).

**NOTES:** Headboard top crosses (F, G and S) may require that they be pulled closer together or further apart in order to allow wood dowels (7) to align with holes in center posts (W & X).

Repeat this step to assemble the other headboard using center posts (Y & Z).

# TRIPLE BUNK BED



## STEP 9

Insert wood dowels (7) into each end of the long guardrails (M).

Attach two long guardrails (M) and side rails (A1 and J) to center posts (W & X) and (Y & Z) as shown.

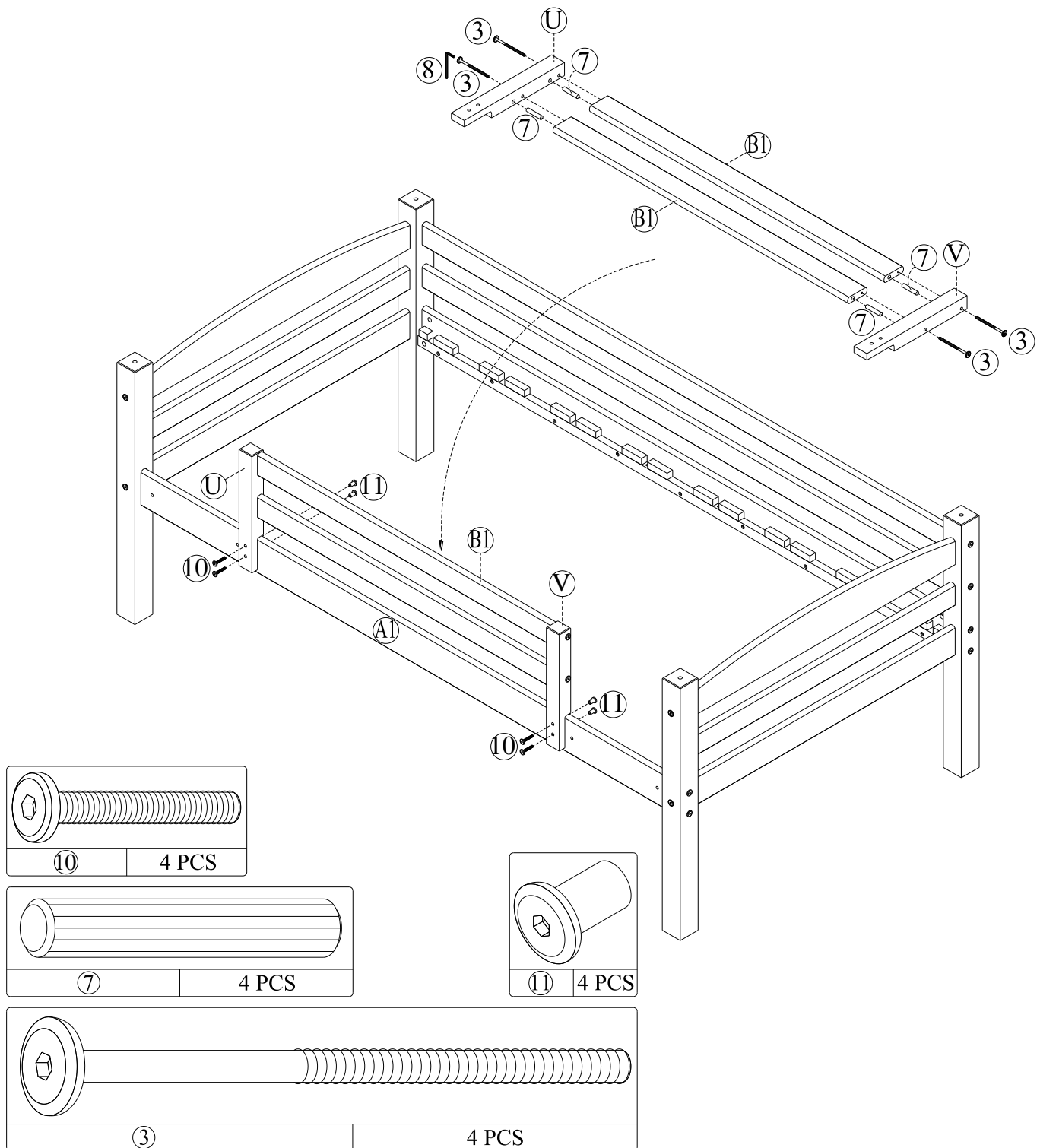
Fasten side rails (A1 and J) with joint connectors (1) and barrel nuts (9). Fasten long guardrails (M) with wood joint connectors (3).

Tighten the joint connectors (1) and wood joint connectors (3) with the Allen key (8).

Note: this is the middle bunk.



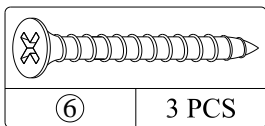
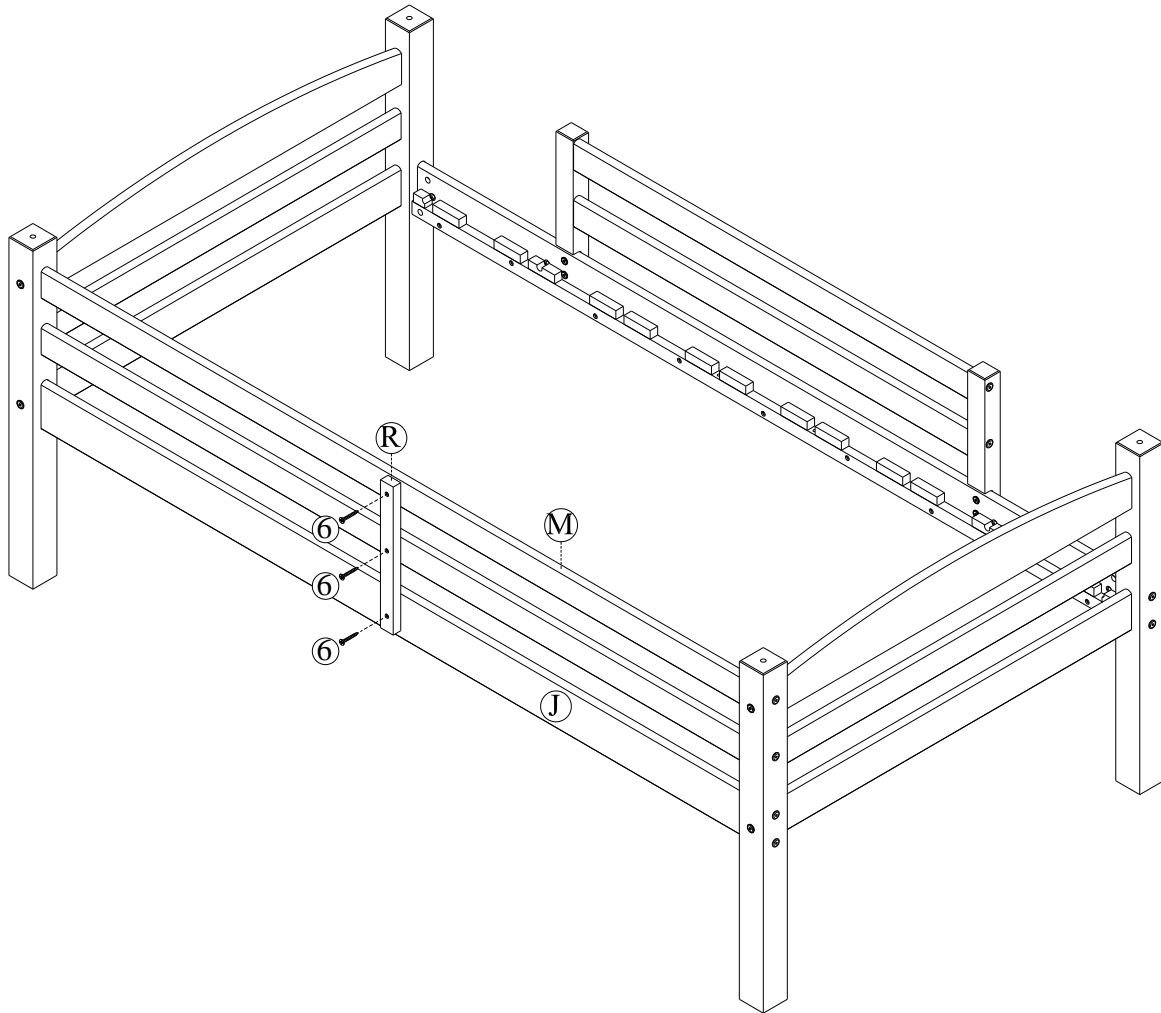
# TRIPLE BUNK BED



## STEP 10

Insert wood dowel (7) into short guardrails (B1). Attach short guardrails (B1) to guardrail post (U) and right guardrail post (V) with wood joint connectors (3) as shown. Fasten the guardrail post (U) and right guardrail post (V) to center front side rail (A1) with joint connectors (10) and hex cap (11) as shown.

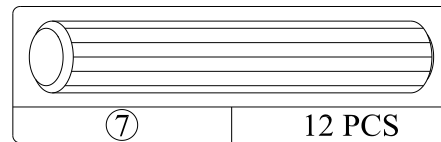
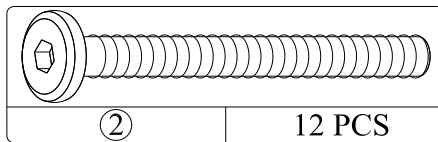
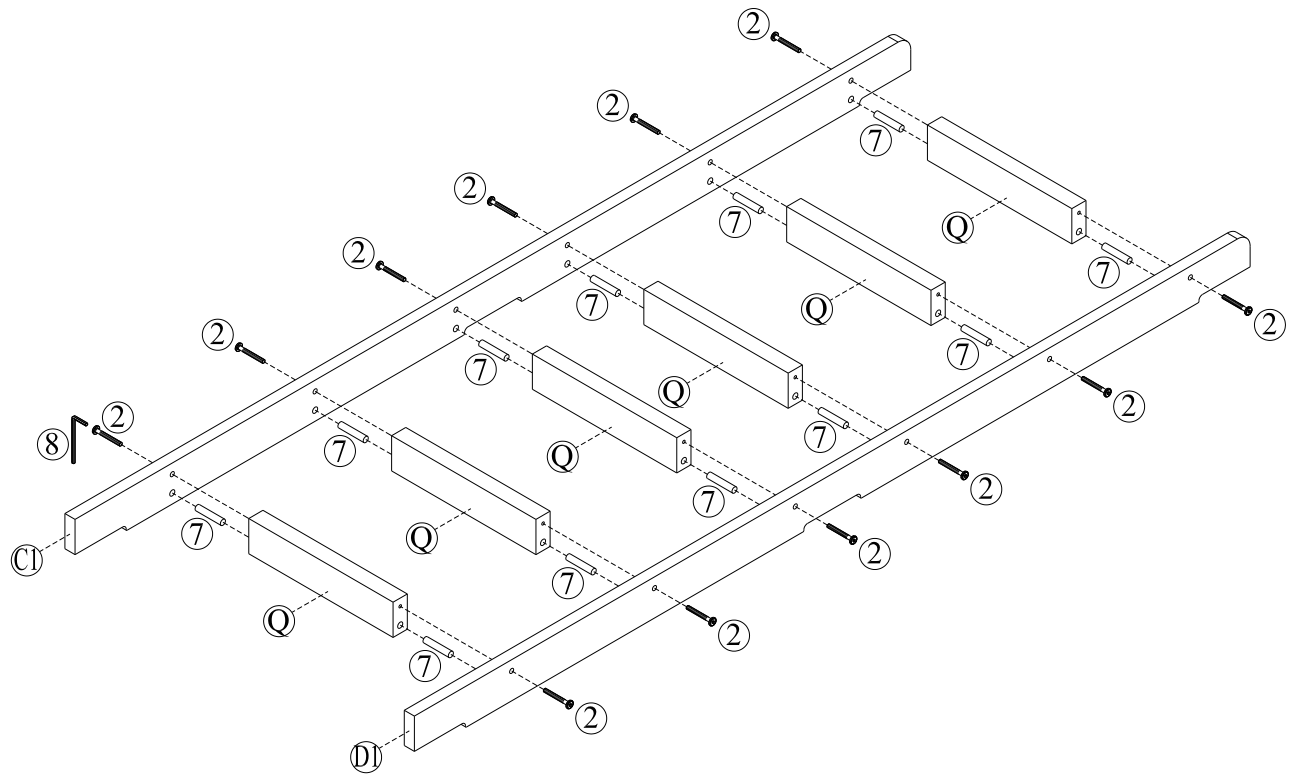
# TRIPLE BUNK BED



## STEP 11

Attach the guardrail leg (R) to long guardrails (M) and side rail (J) with flat head screws (6) as shown. Use a Phillips head screwdriver (not included) to tighten the flat head screws.

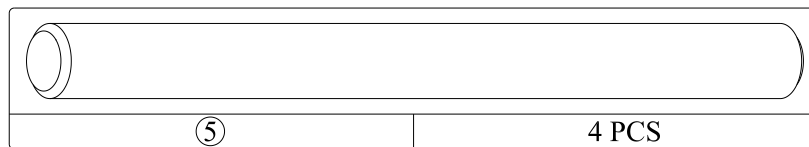
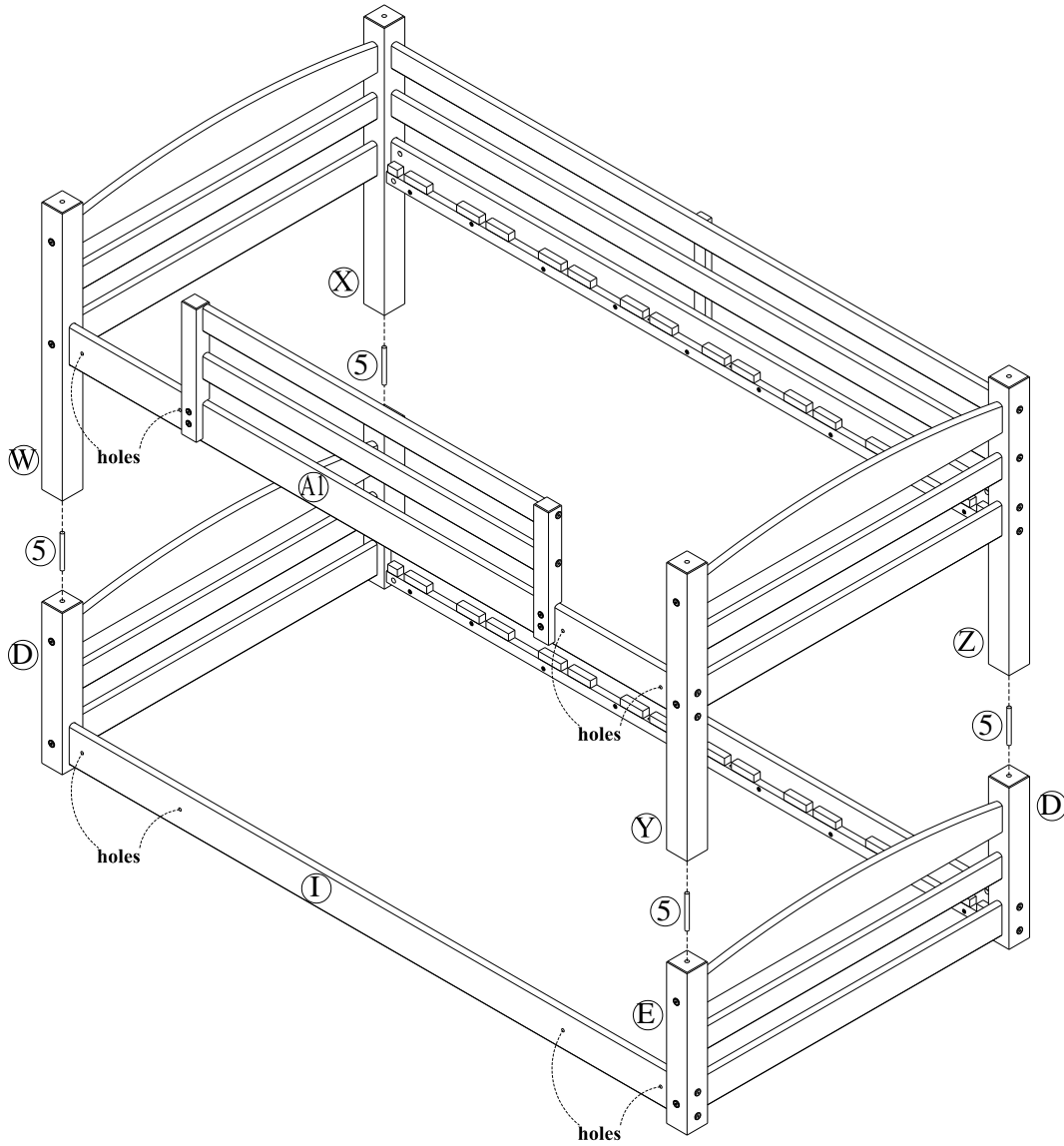
# TRIPLE BUNK BED



## STEP 12

To assemble the ladder, insert wood dowels (7) into the end of the ladder steps (Q). Attach the long ladder ends (C1 & D1) to ladder steps (Q) with wood joint connectors (2) and Allen key (8).

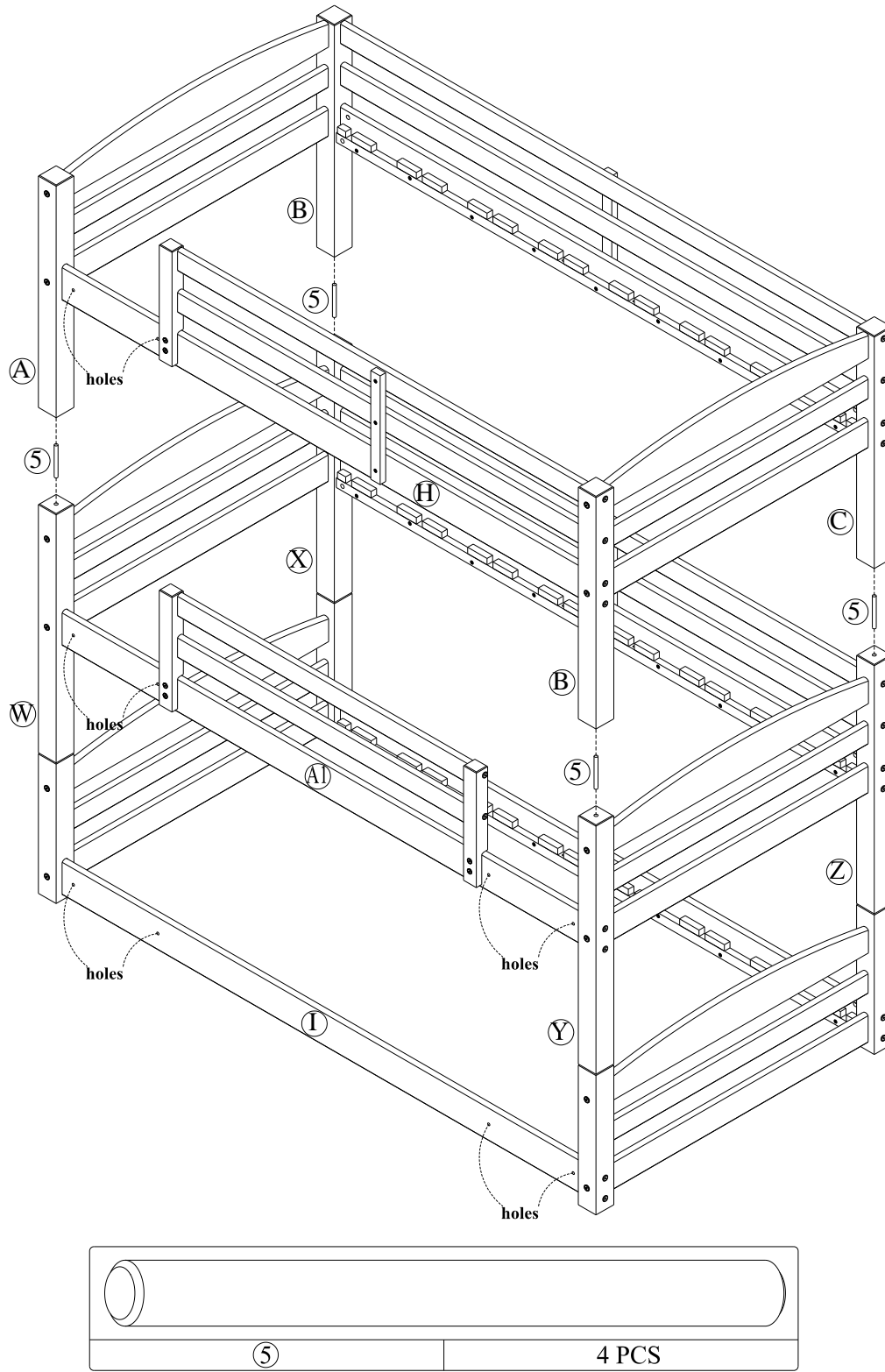
# TRIPLE BUNK BED



## STEP 13

Place four metal dowels (5) into the holes in the bottom posts (D and E). Stack the middle bunk on the bottom bunk with the help of another person.

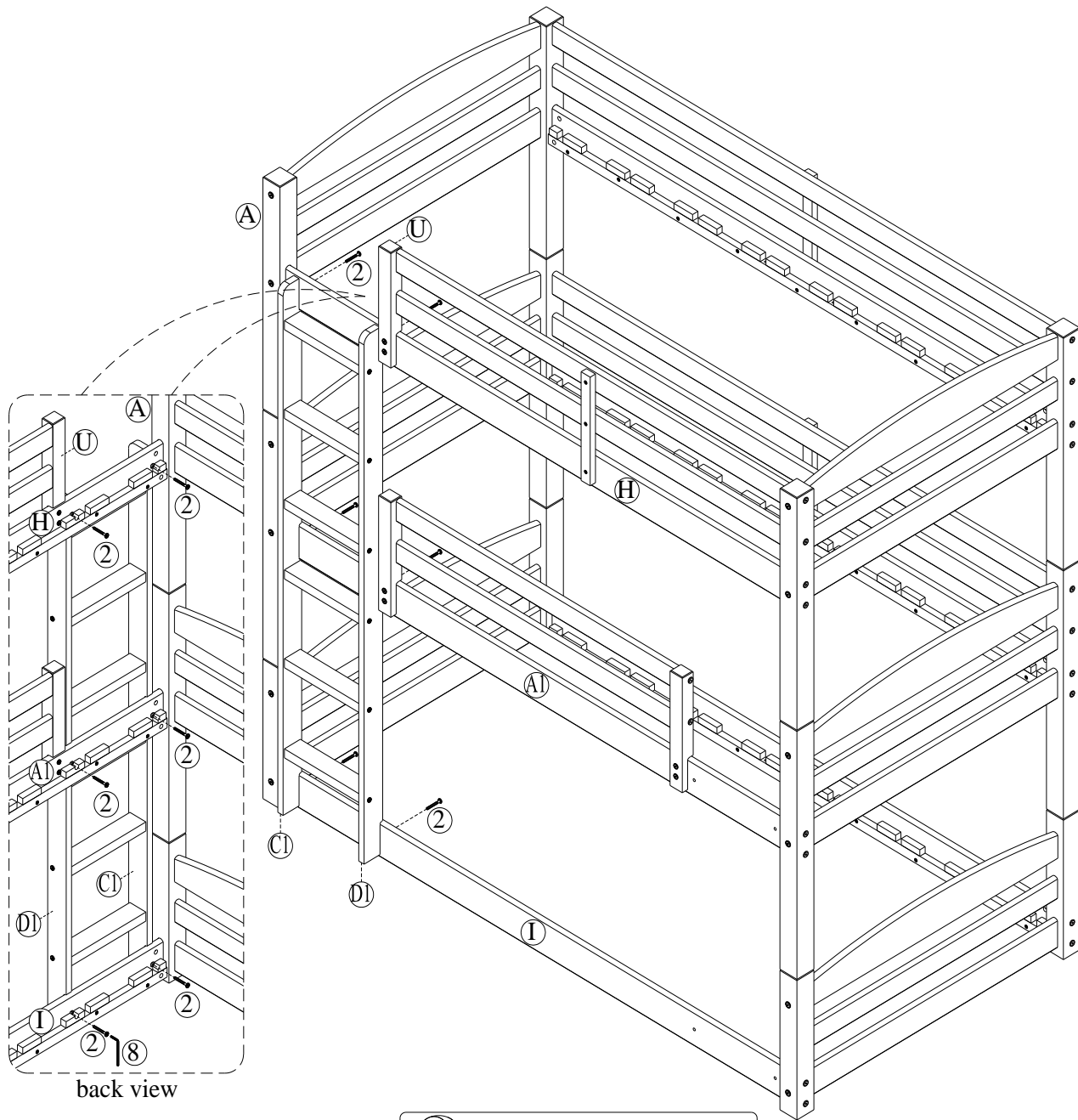
# TRIPLE BUNK BED



## STEP 14

Place four metal dowels (5) into the holes in the center posts (W, X, Y, Z). Stack the top bunk on the middle bunk with the help of another person.

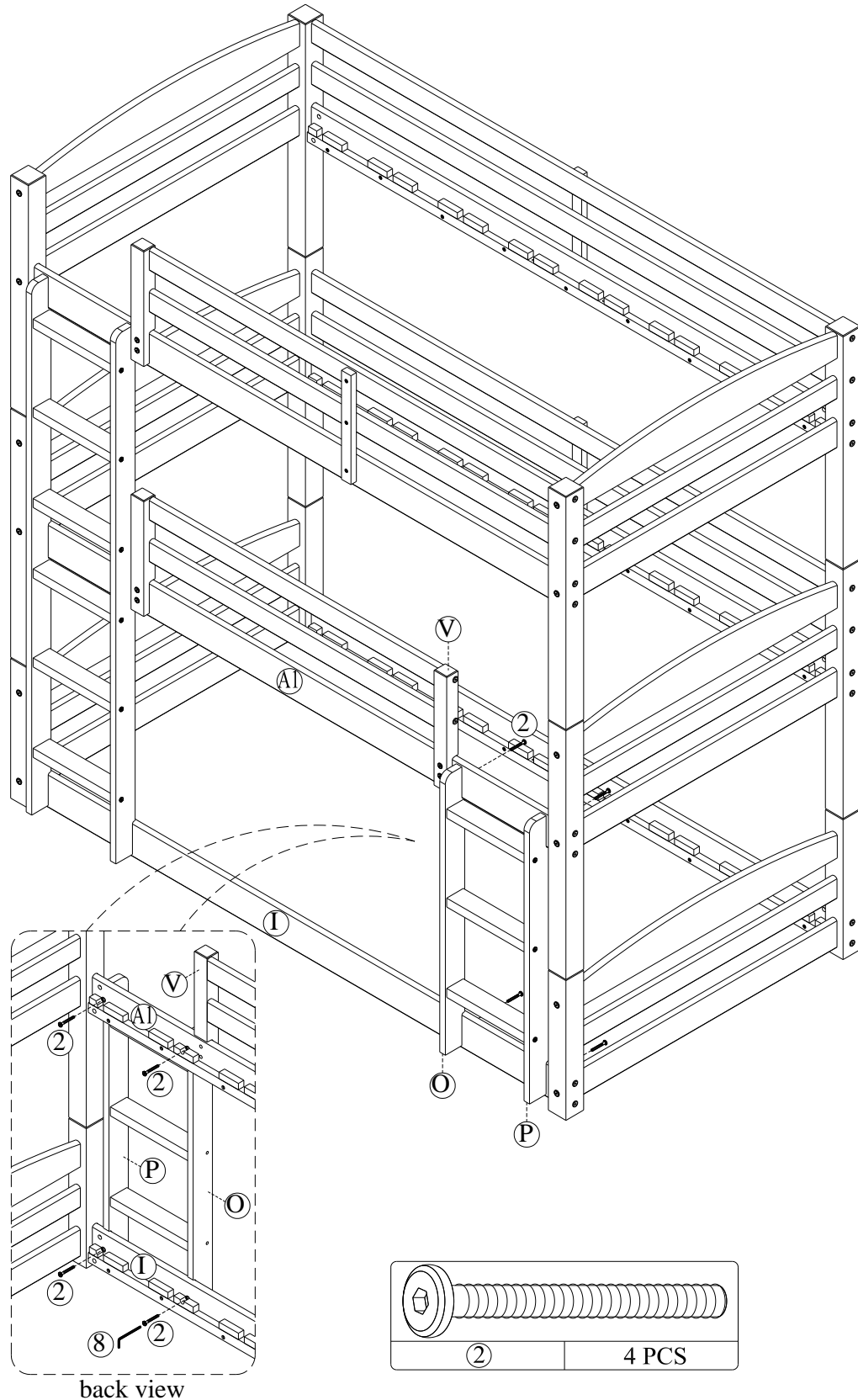
# TRIPLE BUNK BED



## STEP 15

Attach the long ladder to front side rails (H & A1 & I) with wood joint connectors (2) as shown. Use Allen key (8) to tighten the joint connectors.

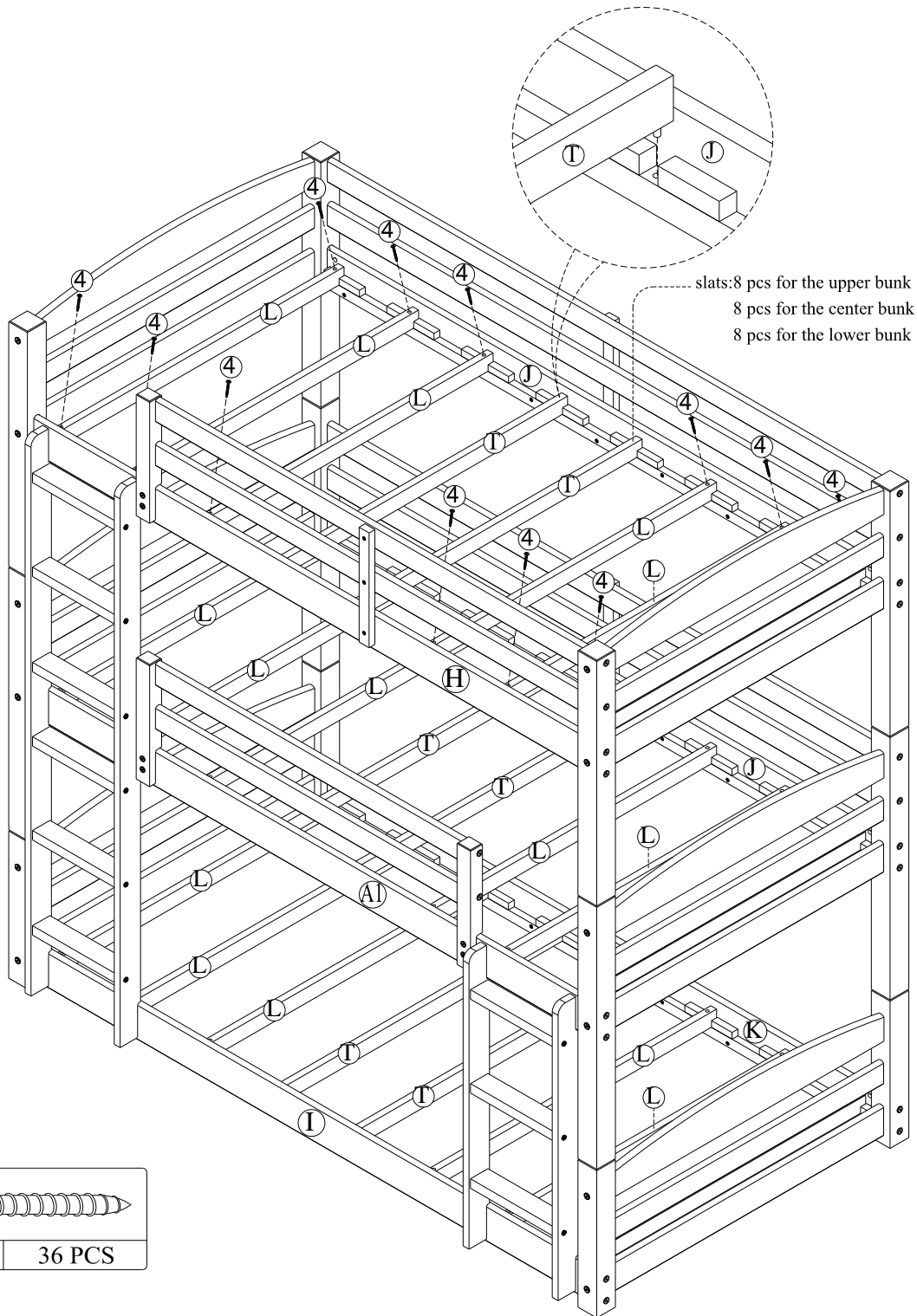
# TRIPLE BUNK BED



## STEP 16

Attach the short ladder to the front side rail (A1 & I) with wood joint connectors (2) as shown. Use Allen key (8) to tighten the joint connectors.

# TRIPLE BUNK BED



## STEP 17

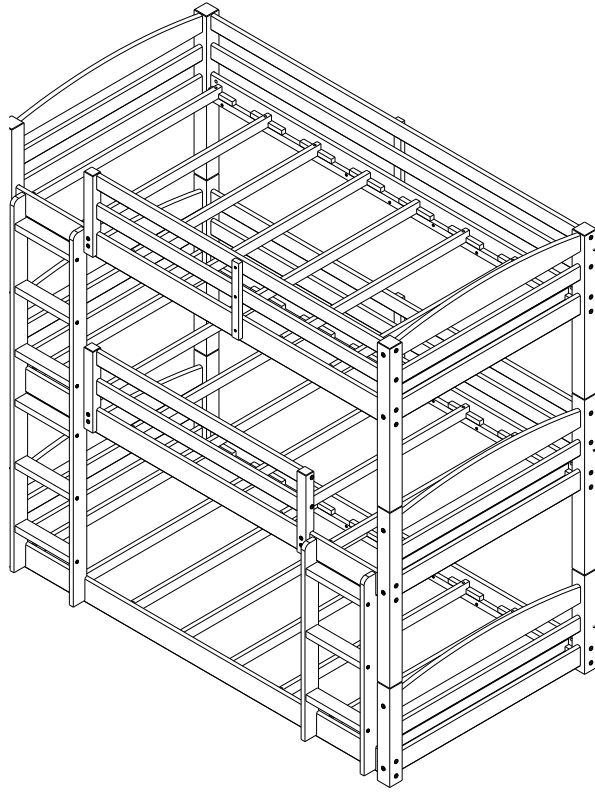
Insert two slats with wood dowel (T) into the center slots of the top side rails (H & J) of the upper bunk as shown.

Attach slats without wood dowel (L) onto top side rails (H & J) of the upper bunk with flat head screws (4) as shown. Use Phillips screwdriver (not included) to tighten flat head screws (4).

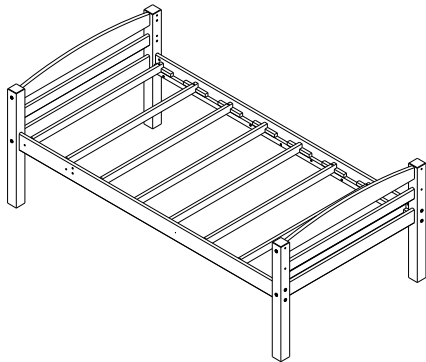
Repeat this process for the middle and bottom bunk.



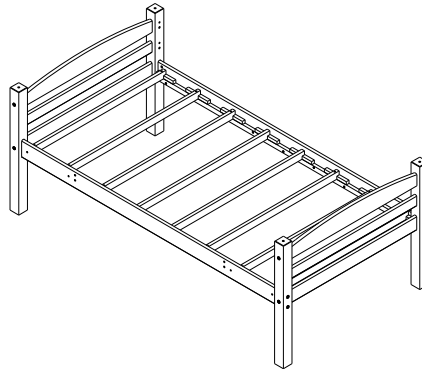
# TRIPLE BUNK BED



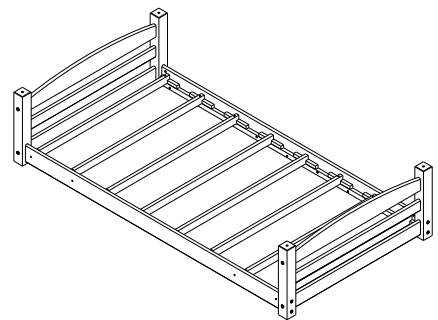
the first twin bed



the second twin bed



the third twin bed



To convert the bunk bed into three different twin bed, remove both ladders and all the guardrails. With the help of another person, unstack the top bunk and center bunk from the lower bunk.

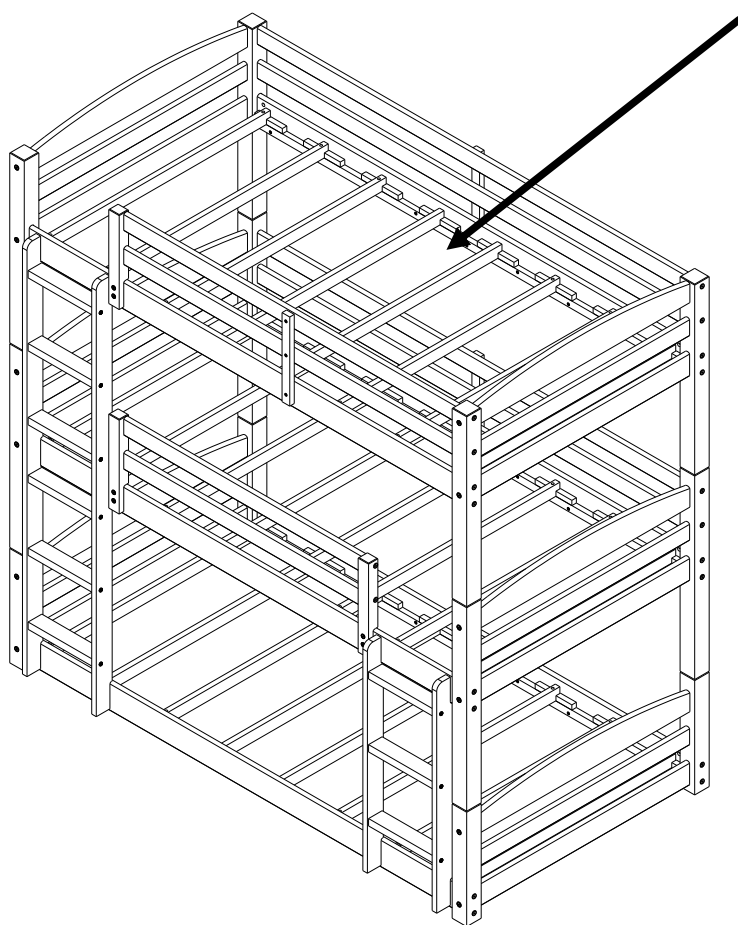
# TRIPLE BUNK BED



**CAUTION:** This unit is intended for use only with the products and/or maximum weights indicated. Use with other products and/or products heavier than the maximum weights indicated may result in instability or cause possible injury.

**DO NOT ALLOW HORSEPLAY ON OR UNDER THE BED AND PROHIBIT JUMPING ON THE BED.**

**DO NOT ALLOW CHILDREN UNDER 6 YEARS OF AGE TO USE THE UPPER BUNK. BED IS DESIGNED FOR CHILDREN RANGING FROM 6 YEARS OF AGE TO YOUNG TEENAGERS.**



**USE ONLY COIL SPRING MATTRESSES ON BOTH THE UPPER AND LOWER BUNKS. FAILURE TO DO SO CAN RESULT IN INJURY.**

**USE ONLY MATTRESSES WHICH ARE 74"-75" LONG AND 37 1/2" - 38 1/2" WIDE ON UPPER AND ON LOWER BUNKS. ENSURE THICKNESS OF MATTRESS DOES NOT EXCEED 6".**

That's it! You've finished assembling your triple bunk bed.

**DO NOT RETURN PRODUCT TO THE RETAILER.**

If a part is missing or damaged, contact our customer service department. We will replace the part FREE of charge.



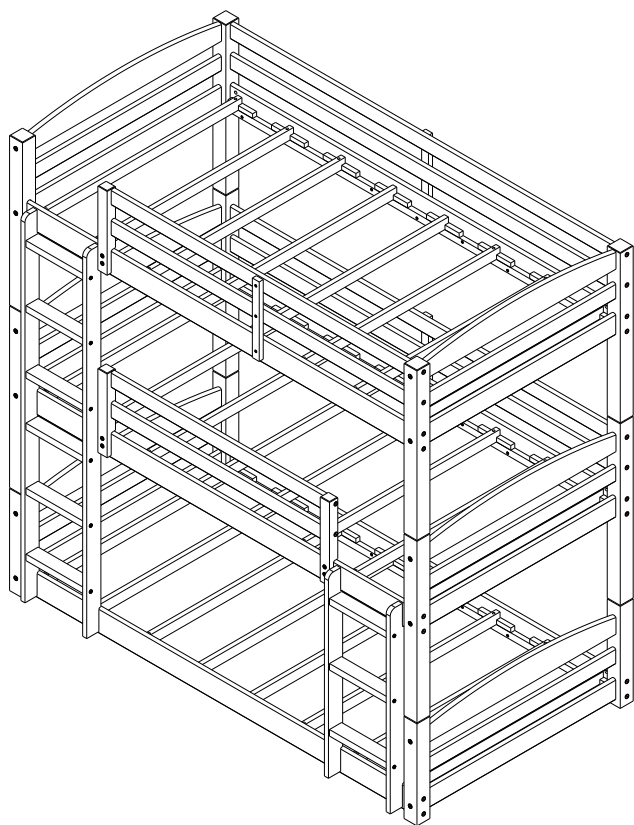
Tel #: 1-800-295-1980  
E-Mail: [das@dorel.com](mailto:das@dorel.com)  
Fax #: 514-353-7819

# CAMAS CUCHETAS TRIPLE

Modelo No:	CODIGO UPC:	Color:
WM7891TBB	0-65857-18614-7	MOCA
WM7891TBBW	0-65857-18664-2	BLANCO
WM7891TBBG	0-65857-19463-0	Gris
WM7891TBBB	0-65857-19662-7	Negro

¡Le damos mucha importancia a la satisfacción de nuestros clientes. Nuestros representantes están disponibles de lunes a viernes de 8 h a 17 h (hora del este) para responder a todas sus preguntas. Con el fin de acelerar el servicio, por favor tenga a mano el número de modelo cuando llame a nuestro número sin coste **1-800-295-1980** o por correo electrónico a **das@dorel.com**.

Para obtener más ideas de muebles inspirantes, visite nuestro sitio web en [www.dorelliving.com](http://www.dorelliving.com) También puede mantenerse informado de todas las últimas tendencias suscribiéndose a nuestra página en [Facebook](https://www.facebook.com/dorelliving).



## ADVERTENCIA

## UTILICE ESTE MANUAL PARA ENSAMBLAR LA CAMAS CUCHETAS TRIPLE

Fecha de compra: \_\_\_\_ / \_\_\_\_ / \_\_\_\_

Número de lote: \_\_\_\_\_  
(en la caja)

**NO DEVUELVA EL PRODUCTO A LA TIENDA.** Si falta una pieza o está dañada, contacte nuestro departamento de servicio a la clientela. Reemplazaremos la pieza SIN cargo.

NOTA: ESTE MANUAL DE INSTRUCCIONES CONTIENE INFORMACIÓN DE SEGURIDAD **IMPORTANTE**. POR FAVOR, LÉALO Y CONSÉRVELO PARA CONSULTARLO EN EL FUTURO.

## SERVICIO AL CLIENTE

Si faltan piezas o si tiene alguna pregunta sobre este producto, ¡comuníquese con nuestro representante de servicio!



**LLAME AL 1-800-295-1980**

También puede pedir piezas escribiendo a la siguiente dirección. Por favor incluya el número de modelo, color y una descripción detallada de la pieza.

**Departamento de Servicio al Cliente No. 413**

**12345 Albert-Hudon Boulevard, Suite 100**

**Montreal, Quebec**

**Canada, H1G 3L1**

**CORREO ELECTRÓNICO: [das@dorel.com](mailto:das@dorel.com)**



## ADVERTENCIAS

- \* **PELIGRO DE ESTRANGULAMIENTO** - NUNCA CUELGUE O ATE EN LA CAMA ARTÍCULOS QUE NO ESTÉN DISEÑADOS PARA USARLOS CON LA CAMA; POR EJEMPLO, PERO NO LIMITADO A ESTO, GANCHOS, CINTURONES Y CUERDAS DE SALTAR.
- \* SIGA LA INFORMACIÓN DE LAS ADVERTENCIAS INSCRITAS EN LA ESTRUCTURA DE LA CUCHETA SUPERIOR Y EN EL CARTÓN. NO RETIRE LA ETIQUETA DE ADVERTENCIAS DE LA CAMA.
- \* LA BASE DEL COLCHÓN ESTÁ DISEÑADA PARA SOPORTAR UN COLCHÓN SIN NECESIDAD DE USAR UNA TABLA PARA MANTENER LA POSICIÓN O UN SOPORTE CON RESORTES.
- \* SIEMPRE UTILICE EL TAMAÑO DE COLCHÓN O DE SOPORTE DE COLCHÓN RECOMENDADO, O LOS DOS, PARA EVITAR LA POSIBILIDAD DE CAÍDAS O QUE EL NIÑO QUEDE ATRAPADO.
- \* **UTILICE SOLAMENTE COLCHONES CON RESORTES EN ESPIRAL EN LAS DOS CUCHETAS. EL NO RESPETAR ESTO PUEDE CAUSAR LESIONES.**
- \* UTILIZAR ÚNICAMENTE COLCHONES DE 74"-75" DE LARGO Y DE 37 1/2" - 38 1/2" DE ANCHO EN LA LITERA SUPERIOR Y EN LA LITERA INFERIOR. ASEGÚRESE DE QUE EL ESPESOR DE LOS COLCHONES NO SUPERE 6". LA SUPERFICIE DEL COLCHÓN DEBE QUEDAR POR LO MENOS 5" (127MM) POR DEBAJO DEL BORDE SUPERIOR DEL MARCO DE LAS CUCHETAS.
- \* NO PERMITA QUE NIÑOS MENORES DE 6 AÑOS DUERMAN EN LA CUCHETA SUPERIOR.
- \* PESO MÁXIMO: 165 LBS (75 KGS) POR NIVEL.
- \* SIEMPRE UTILICE LAS BARANDAS EN LOS DOS LADOS DE LA CUCHETA SUPERIOR. SI LA CUCHETA ESTÁ COLOCADA CERCA DE UNA PARED, LA BARANDA QUE CUBRE EL LADO LARGO DE LA CUCHETA DEBE SER COLOCADA CONTRA LA PARED PARA EVITAR QUE EL NIÑO QUEDE ATRAPADO ENTRE LA CAMA Y LA PARED (ESTO SE APLICA A LAS CUCHETAS CON BARANDA LARGA DE UN SOLO LADO).
- \* VERIFIQUE LA CAMA PERIÓDICAMENTE Y ASEGÚRESE DE QUE EL CUADRO, LA ESCALERILLA Y OTROS COMPONENTES ESTÉN EN LA POSICIÓN CORRECTA, NO ESTÉN DAÑADOS Y TODAS LAS UNIONES ESTÉN BIEN AJUSTADAS.
- \* NO PERMITA QUE LOS NIÑOS HAGAN PAYASADAS SOBRE O DEBAJO DE LA CAMA Y PROHIBA QUE SALTEN SOBRE ELLA.
- \* NO UTILICE PIEZAS DE SUSTITUCIÓN. CONTACTE EL SERVICIO AL CLIENTE PARA OBTENER PIEZAS PARA REMPLAZAR.
- \* EL USO DE UNA VELADORA SIRVE COMO MEDIDA DE PRECAUCIÓN PARA EL NIÑO QUE UTILIZA LA CUCHETA SUPERIOR.
- \* SE PROHIBE EL USO DE COLCHONES DE AGUA O COLCHONETAS DE FLOTACIÓN.
- \* SIEMPRE UTILICE LA ESCALERILLA PARA SUBIR A LA CUCHETA SUPERIOR O BAJAR DE ELLA.
- \* PROHIBA QUE MÁS DE UN NIÑO SUBA A LA CUCHETA SUPERIOR.

\* CONSERVE ESTAS INSTRUCCIONES PARA REFERENCIA FUTURA.

## NOTAS

- \* LEA ATENTAMENTE CADA ETAPA ANTES DE COMENZAR. ES MUY IMPORTANTE QUE CADA ETAPA SE LLEVE A CABO EN EL ORDEN CORRECTO. SI ESTAS ETAPAS NO SE SIGUEN EN ORDEN, PUEDEN SURGIR DIFICULTADES PARA ARMAR LA CAMA Y CAUSAR LESIONES A LOS NIÑOS QUE LA USAN.
- \* DEBE SER ARMADA POR UN ADULTO.
- \* ASEGÚRESE DE TENER TODAS LAS PIEZAS. TRABAJE EN UN LUGAR ESPACIOSO, DE PREFERENCIA SOBRE UN TAPIZ.
- \* SE NECESITARÁN DOS PERSONAS PARA ARMARLA.
- \* LA MAYORÍA DE LAS PIEZAS DE MADERA ESTÁN ETIQUETADAS O MARCADAS DEL LADO RÚSTICO.
- \* SE NECESITA UN DESTORNILLADOR EN CRUZ (NO INCLUIDO).
- \* SE RECOMIENDA EL USO DE UNA MAZA DE CAUCHO (NO INCLUIDA) PARA FACILITAR EL TRABAJO.
- \* LA CAMA ESTÁ DISEÑADA PARA NIÑOS DESDE 6 AÑOS HASTA LA ADOLESCENCIA TEMPRANA.

### CUIDADO Y LIMPIEZA

Limpie el polvo regularmente con un paño suave y seco. Se recomienda no usar productos químicos o cera en nuestros muebles laqueados, ya que se puede dañar el pulido. Mantenga solventes, alcohol, esmalte de uñas y quita-esmaltes lejos de toda superficie de madera de los muebles.

### MANTENIMIENTO

Verifique los pernos y tornillos periódicamente y ajústelos si es necesario.

### GARANTÍA LIMITADA

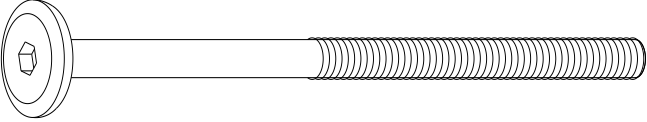
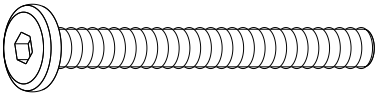
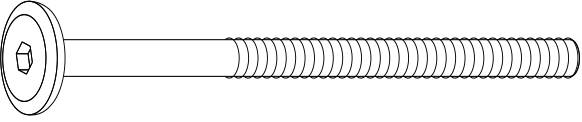
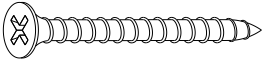

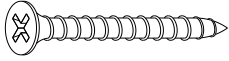
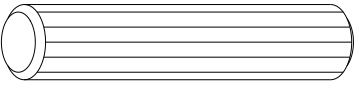
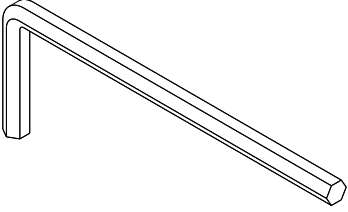
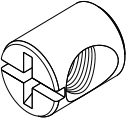
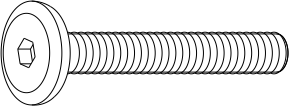
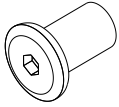
Dorel garantiza que el producto está libre de defectos de material y mano de obra y se compromete a remediar cualquier defecto de este tipo. Esta garantía cubre 1 año a partir de la fecha de compra original. Esta garantía es válida solamente con presentación de una prueba de compra. Esto se limita a la reparación o reemplazo de componentes defectuosos del mueble y no se incluye ningún trabajo de ensamblaje. Esta garantía no se aplica a ningún producto que haya sido mal armado, sujeto a mal uso o abuso, o que haya sido alterado o reparado de cualquier manera. Esta garantía le da las derechos legales específicas y usted puede también tener otras derechas que varíen de estado al estado.



**ADVERTENCIA: Si este producto está dañado y/o ciertas piezas faltan o están rotas, NO LO USE.**

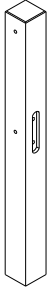
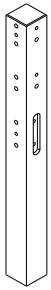


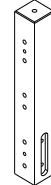
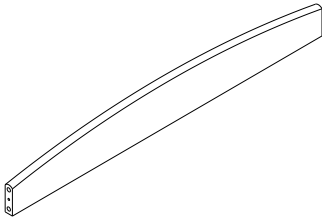
# CAMA CUCHETA TRIPLE

## LISTA DE ACCESORIOS

<p><b>1</b></p>  <p>Φ 1/4" x 100mm</p>	<p><b>2</b></p>  <p>Φ 6.5mm x 48mm</p>	
<p>PERNO CONECTOR (4MM CABEZA HEXAGONAL) 24 PCS</p>	<p>PERNO CONECTOR MADERA (4MM CABEZA HEXAGONAL) 28 PCS</p>	
<p><b>3</b></p>  <p>Φ 6.5mm x 100mm</p>	<p><b>4</b></p>  <p>Φ 4mm x 35mm</p>	
<p>PERNO CONECTOR MADERA (4MM CABEZA HEXAGONAL) 40 PCS</p>	<p>TORNILLO CABEZA PLANA 36 PCS</p>	
<p><b>5</b></p>  <p>Φ 10mm x 100mm</p>	<p><b>6</b></p>  <p>Φ 4mm x 30mm</p>	
<p>CLAVIJA DE METAL 8 PCS</p>	<p>TORNILLO CABEZA PLANA 9 PCS</p>	
<p><b>7</b></p>  <p>Φ 10mm x 50mm</p>	<p><b>8</b></p> 	
<p>CLAVIJA DE MADERA 106 PCS</p>	<p>LLAVE ALLEN 1 PC</p>	
<p><b>9</b></p>  <p>Φ 11.8mm x 15mm</p>	<p><b>10</b></p>  <p>Φ 1/4" x 32mm</p>	<p><b>11</b></p>  <p>Φ 9mm x 17mm</p>
<p>TUERCA BARRILETE 24 PCS</p>	<p>PERNO CONECTOR (4MM CABEZA HEXAGONAL) 6 PCS</p>	<p>PERNO DE BRIDA HEXAGONAL 6 PCS</p>

# CAMA CUCHETA TRIPLE

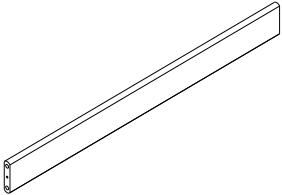
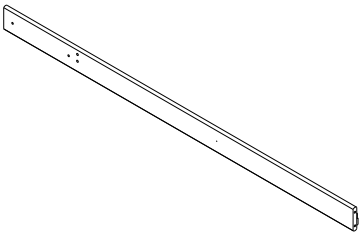
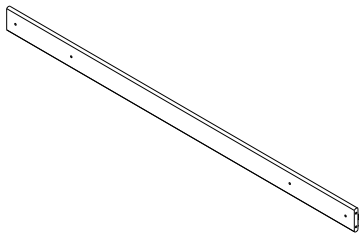
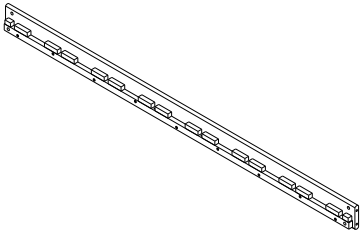
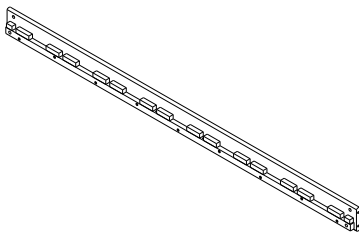
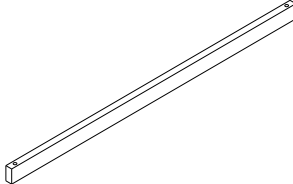
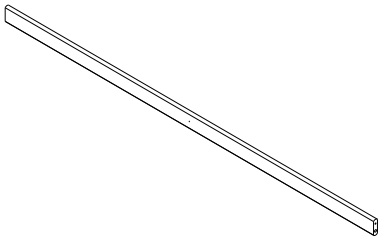
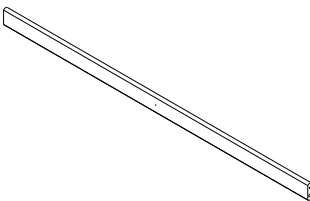


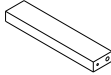

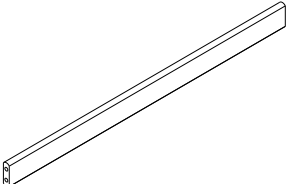
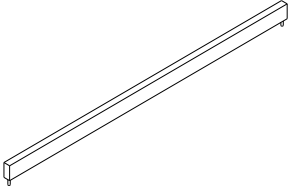
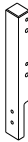
## LISTA DE PIEZAS

<b>A</b> 	<b>B</b> 	<b>C</b> 
PATA SUPERIOR 1 PC	PATA SUPERIOR 2 PCS	PATA SUPERIOR 1 PC
<b>D</b> 	<b>E</b> 	<b>F</b> 
PATA INFERIOR 2 PCS	PATA INFERIOR 2 PCS	RAVESAÑO SUPERIOR CABECERA 6 PCS

NOTA – Las piezas necesarias para ensamblar la cama cucheta triple están embaladas en 2 cajas. Asegúrese de tener todas las piezas antes de comenzar a ensamblar el mueble.

# CAMA CUCHETA TRIPLE


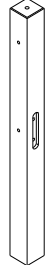
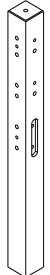


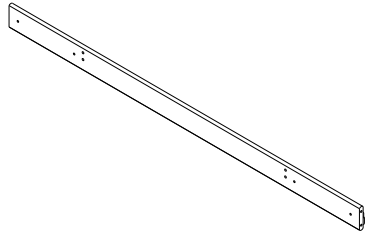
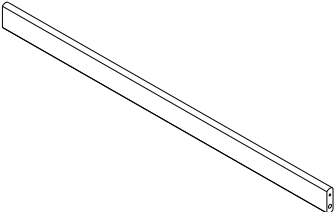
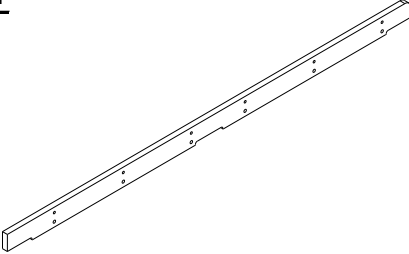
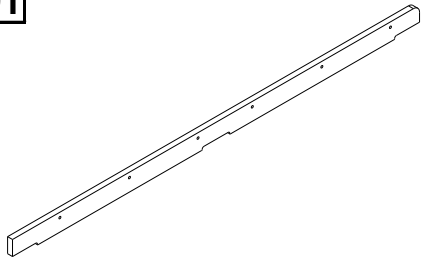
## LISTA DE PIEZAS

<p><b>G</b></p> 	<p><b>H</b></p> 	<p><b>I</b></p> 
<p>TRAVESAÑO INFERIOR CABECERA 6 PCS</p>	<p>LARGUERO LATERAL SUPERIOR ANTERIOR 1 PC</p>	<p>LARGUERO LATERAL INFERIOR ANTERIOR 1 PC</p>
<p><b>J</b></p> 	<p><b>K</b></p> 	<p><b>L</b></p> 
<p>LARGUERO LATERAL POSTERIOR 2 PCS</p>	<p>LARGUERO LATERAL INFERIOR POSTERIOR 1 PC</p>	<p>LISTÓN SIN CLAVIJA DE MADERA 18 PCS</p>
<p><b>M</b></p> 	<p><b>N</b></p> 	<p><b>O</b></p> 
<p>BARANDA LARGA 4 PCS</p>	<p>BARANDA CORTA 2 PCS</p>	<p>LADO IZQUIERDO ESCALERA 1 PC</p>
<p><b>P</b></p> 	<p><b>Q</b></p> 	<p><b>R</b></p> 
<p>LADO DERECHO ESCALERA 1 PC</p>	<p>ESCALÓN 9 PCS</p>	<p>SOPORTE DE BARANDA 3 PCS</p>
<p><b>S</b></p> 	<p><b>T</b></p> 	<p><b>U</b></p> 
<p>TRAVESAÑO CENTRAL CABECERA 6 PCS</p>	<p>LISTÓN CON CLAVIJA DE MADERA 6 PCS</p>	<p>SOPORTE DE BARANDA 2 PCS</p>

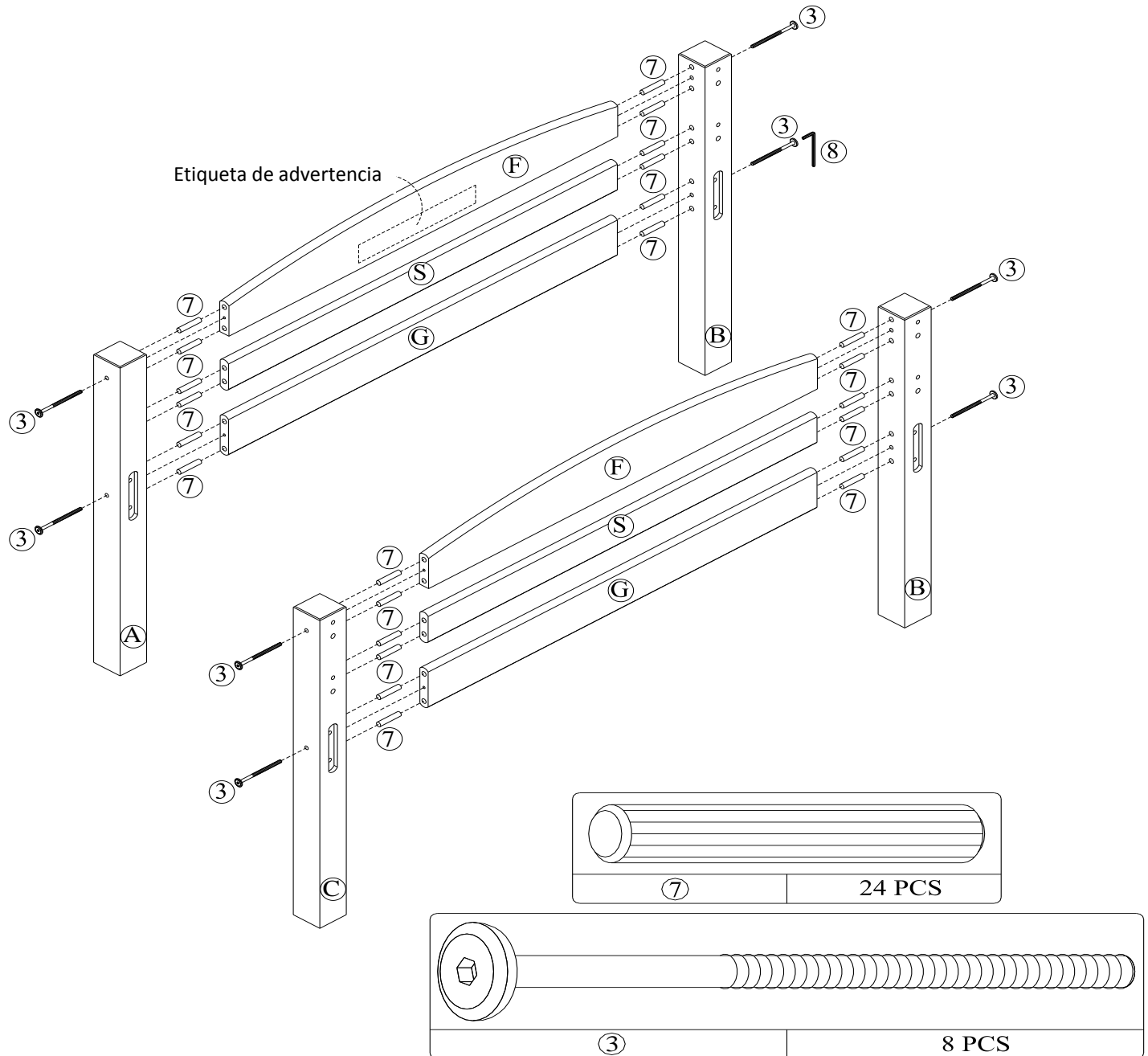


# CAMA CUCHETA TRIPLE

## LISTA DE PIEZAS

<p><b>V</b></p> 	<p><b>W</b></p> 	<p><b>X</b></p> 
<p>SOPORTE DE BARANDA DERECHO 1 PC</p>	<p>PIE CENTRAL 1 PC</p>	<p>PIE CENTRAL 1 PC</p>
<p><b>Y</b></p> 	<p><b>Z</b></p> 	<p><b>A1</b></p> 
<p>PIE CENTRAL 1 PC</p>	<p>PIE CENTRAL 1 PC</p>	<p>LARGUERO LATERAL ANTERIOR 1 PC</p>
<p><b>B1</b></p> 	<p><b>C1</b></p> 	<p><b>D1</b></p> 
<p>BARANDA CORTA 2 PCS</p>	<p>LADO IZQUIERDO ESCALERA LARGA 1 PC</p>	<p>LADO DERECHO ESCALERA LARGA 1 PC</p>

# CAMA CUCHETA TRIPLE



## ETAPA 1

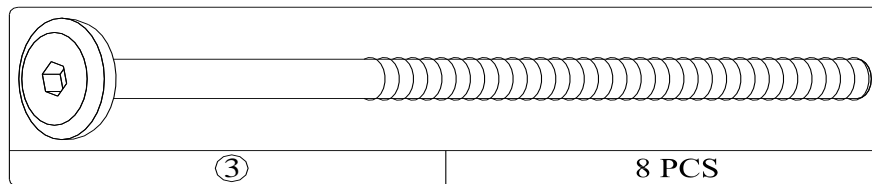
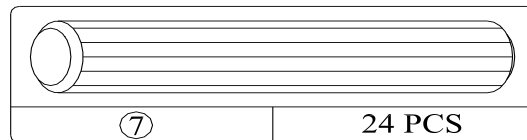
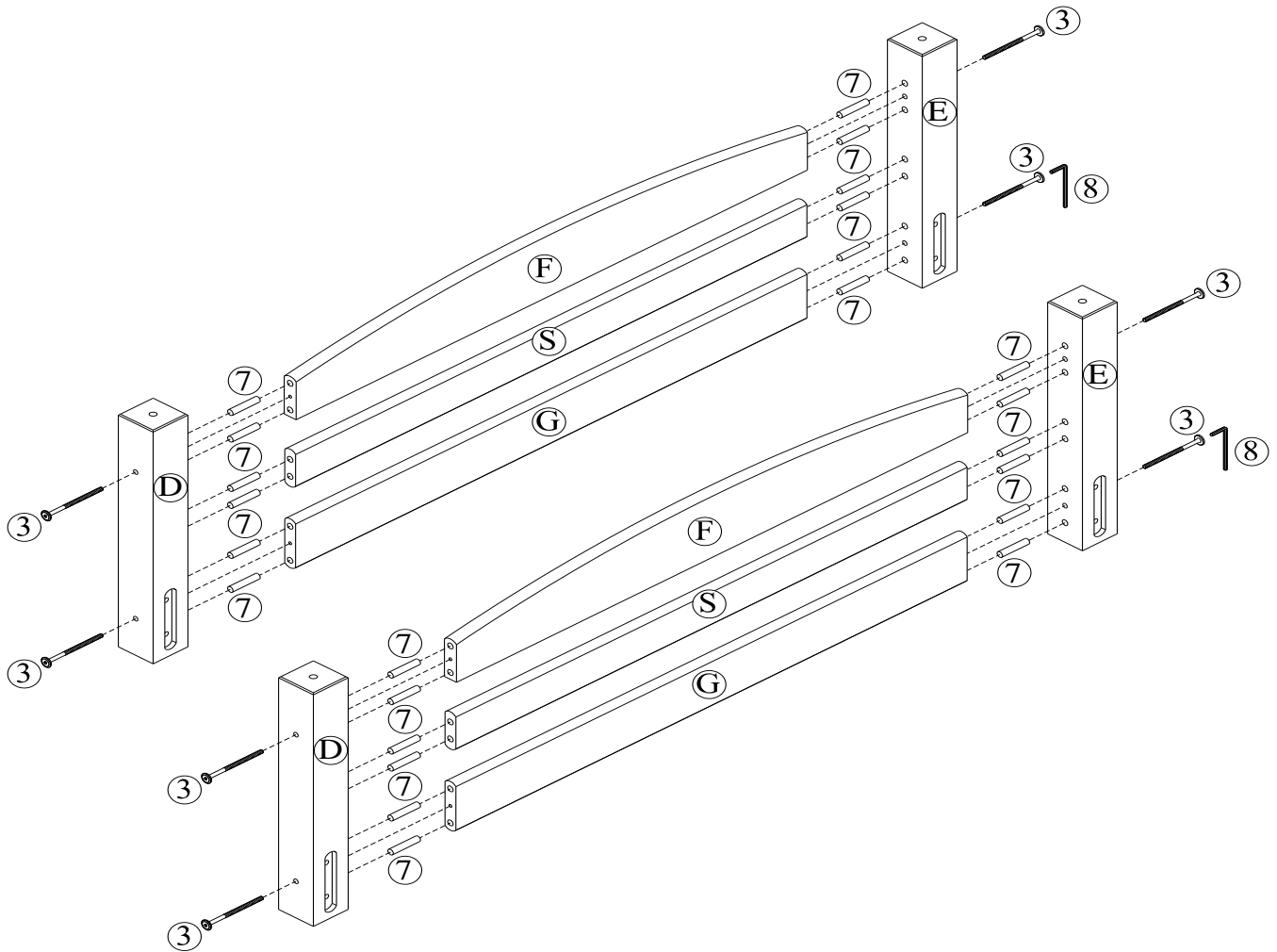
Inserte clavijas de madera (7) en los extremos del travesaño superior de la cabecera (F), del travesaño inferior de la cabecera (G) y del travesaño central de la cabecera (S). Únalos con las patas superiores (A y B) con pernos conectores para madera (3) como ilustrado. Ajuste los pernos conectores para madera (3) con la llave Allen (8).

**NOTA:** Puede pasar que los travesaños de la cabecera superior (F, G y S) requieran ser acercados o alejados entre sí para permitir que las clavijas de madera (7) queden alineadas con los agujeros de las patas superiores (A y B).

Repita la etapa anterior para ensamblar la otra cabecera con las patas (B y C).

**NOTA:** Asegúrese de que el travesaño superior de cabecera (F) que tiene una etiqueta de advertencia quede entre las patas superiores (A) y (B). Observe la ilustración más arriba para ver la orientación de la etiqueta.

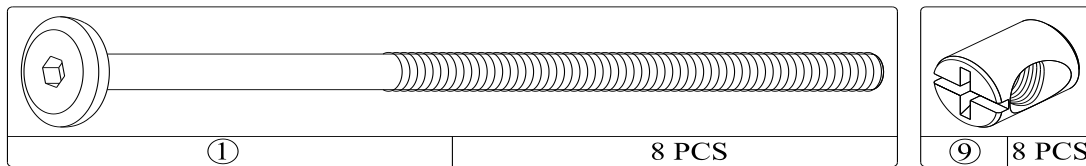
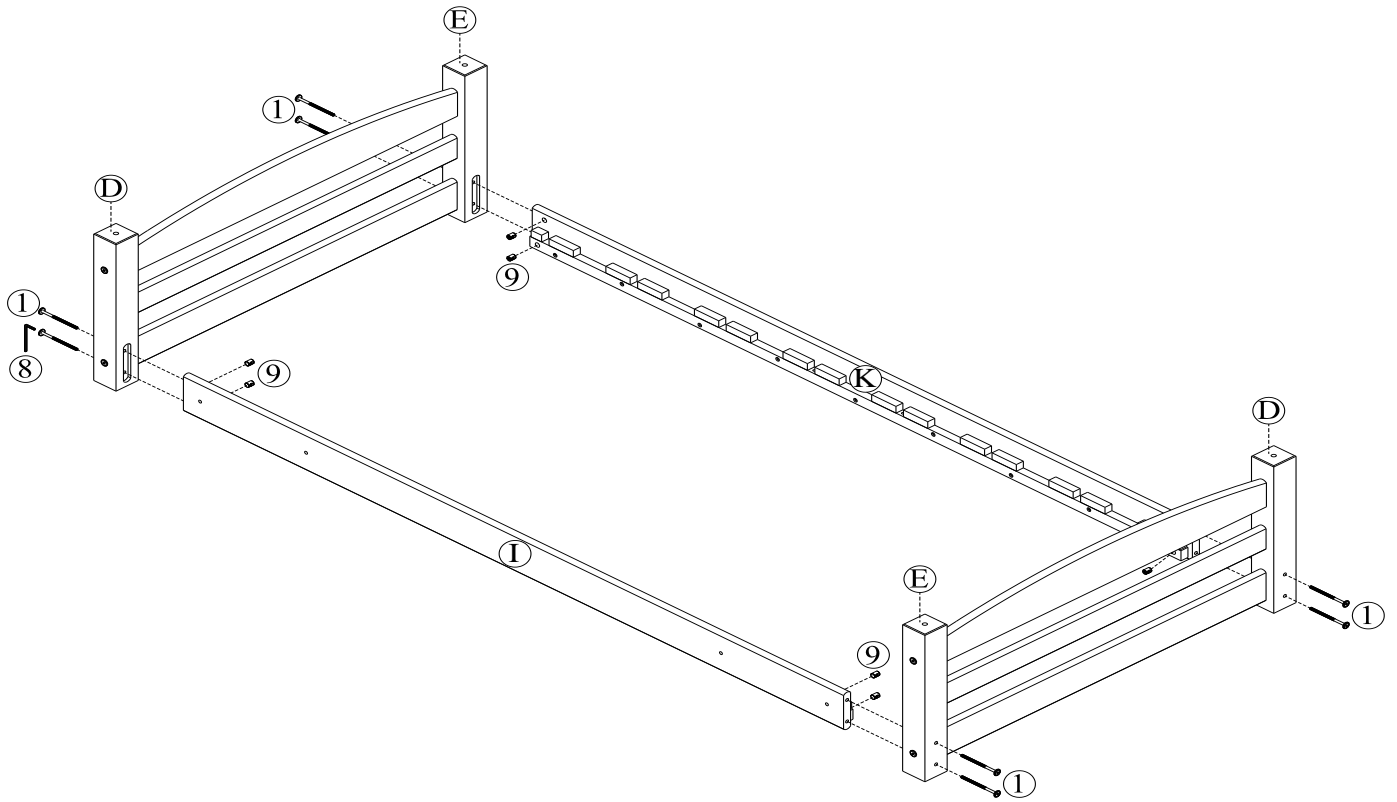
# CAMA CUCHETA TRIPLE



## ETAPA 2

Inserte clavijas de madera (7) en los extremos del travesaño superior de cabecera (F), del travesaño inferior de cabecera (G) y del travesaño central de cabecera (S) y únalos con las patas inferiores (D) y (E) con pernos conectores para madera (3) como ilustrado. Ajuste los pernos conectores para madera (3) con la llave Allen (8).

# CAMA CUCHETA TRIPLE

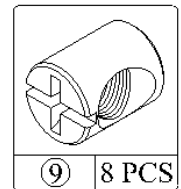
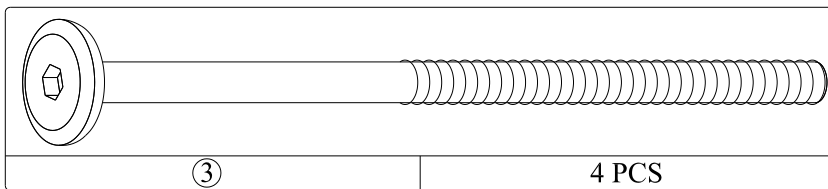
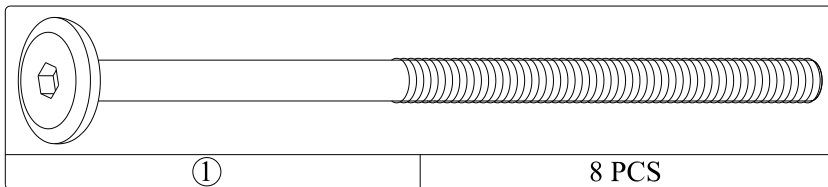
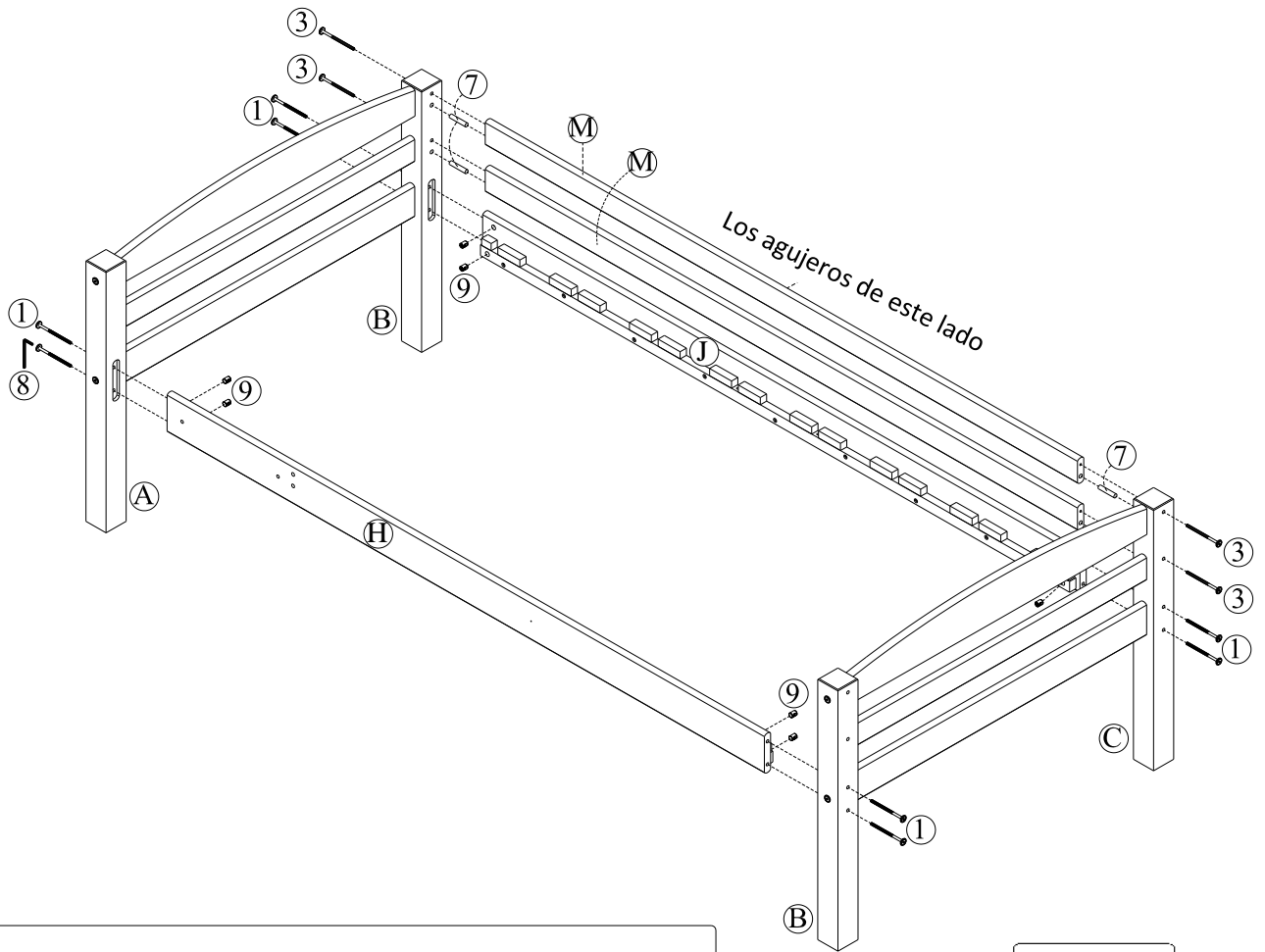


## ETAPA 3

Una las dos cabeceras con las patas inferiores (D y E) al larguero lateral inferior anterior (I) y al larguero lateral inferior posterior (K) con pernos conectores (1) y tuercas barrilete (9) como ilustrado. Ajuste los pernos conectores (1) con la llave Allen (8).

Nota: Ésta es la cama inferior.

# CAMA CUCHETA TRIPLE



## ETAPA 4

Inserte clavijas de madera (7) en los extremos de las barandas largas (M).

Una las dos barandas largas (M) y los dos largueros laterales superiores (H y J) con las patas superiores (A y B) y (C y B) como ilustrado.

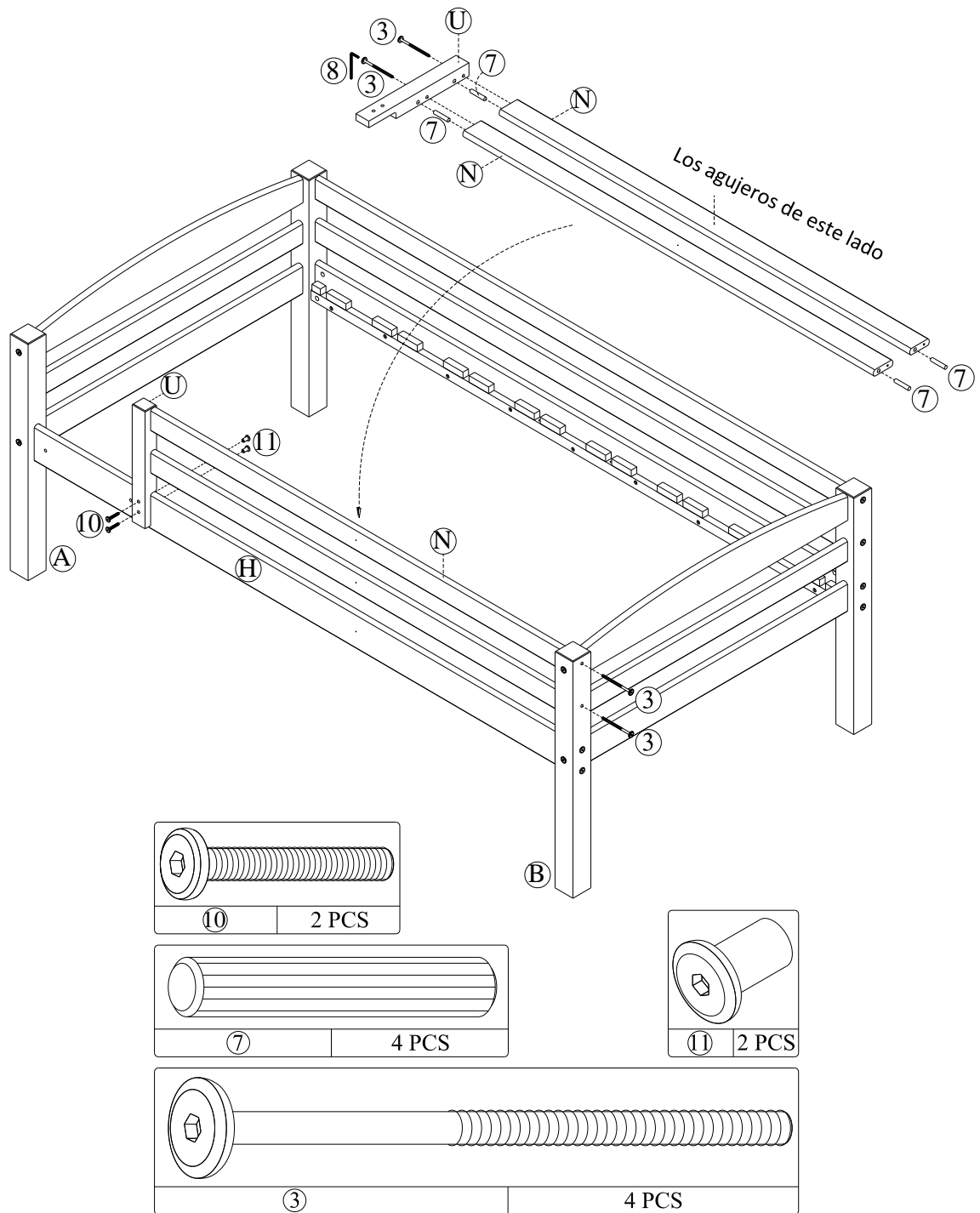
Fije los largueros laterales superiores (H y J) con pernos conectores (1) y tuercas barrilete (9).

Fije las barandas largas (M) con pernos conectores para madera (3).

Ajuste los pernos conectores (1) y los pernos conectores para madera (3) con la llave Allen (8).

Nota: Ésta es la cama superior.

# CAMA CUCHETA TRIPLE

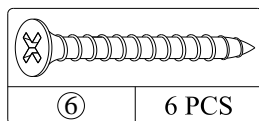
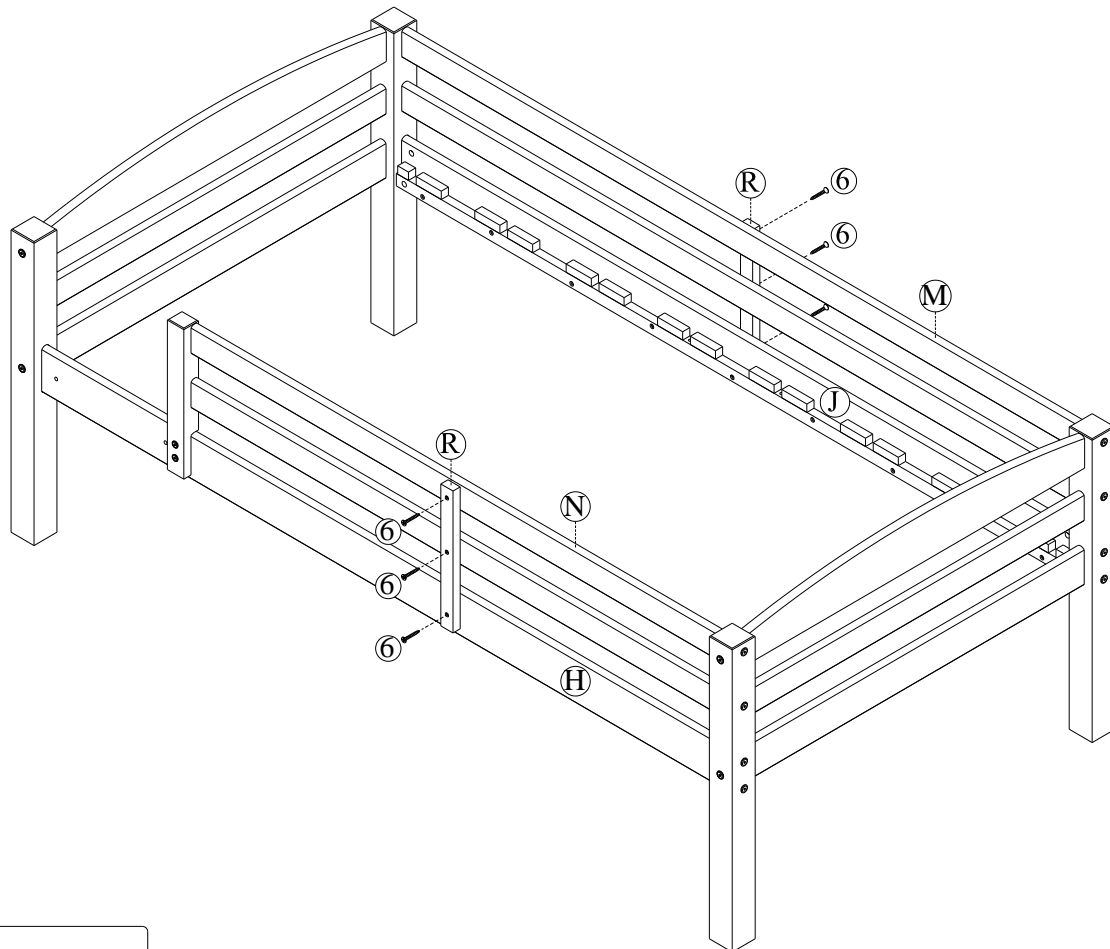


## ETAPA 5

Inserte clavijas de madera (7) en las barandas cortas (N). Una las barandas cortas (N) al soporte de baranda (U) con pernos conectores para madera (3) como ilustrado.

Fije las barandas cortas (N) a la pata superior (B) con pernos conectores para madera (3). Fije el soporte de baranda (U) al larguero lateral superior anterior (H) con pernos conectores (10) y pernos de brida hexagonal (11) como ilustrado.

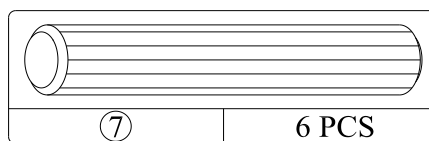
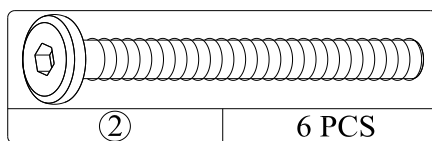
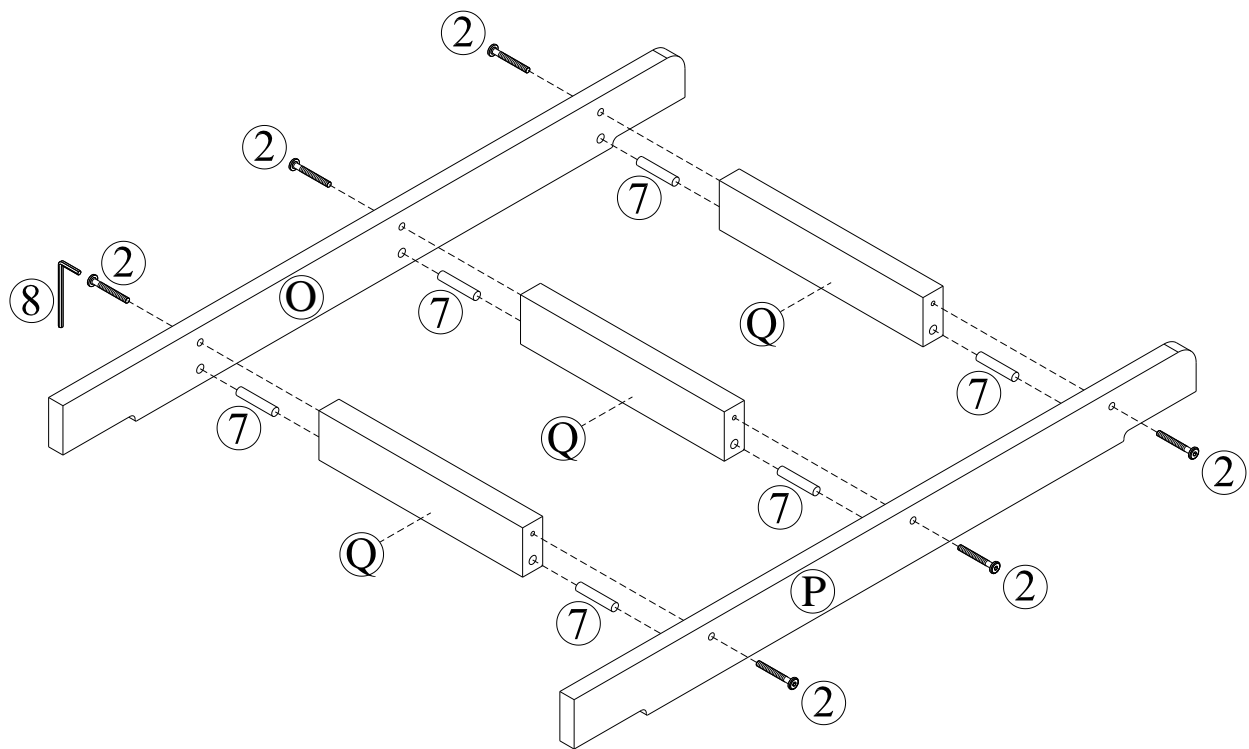
# CAMA CUCHETA TRIPLE



## ETAPA 6

Una un soporte de baranda (R) a las barandas cortas (N) y al larguero lateral superior anterior (H) con tornillos de cabeza plana (6). Una el otro soporte de baranda (R) (del otro lado de la cama) con las barandas largas (M) y el larguero lateral superior posterior (J) con tornillos de cabeza plana (6) como ilustrado. Utilice un destornillador Phillips (no incluido) para ajustar los tornillos de cabeza plana.

# CAMA CUCHETA TRIPLE

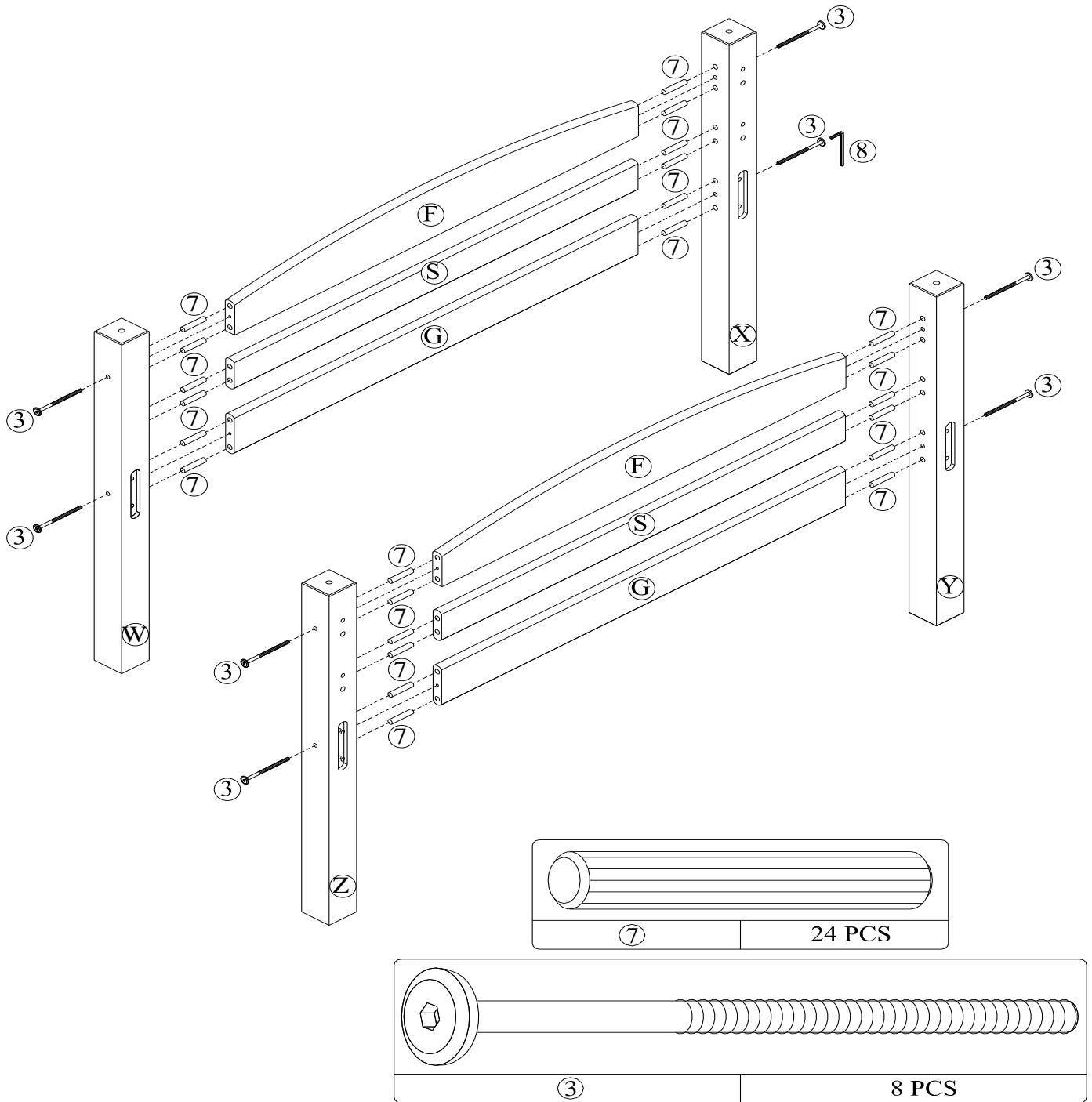


## ETAPA 7

Inserte clavijas de madera (7) en los extremos de los escalones (Q). Una el lado izquierdo de la escalera (O) y el lado derecho de la escalera (P) a los escalones (Q) con pernos conectores para madera (2). Ajuste los pernos conectores para madera (2) con la llave Allen (8).



# CAMA CUCHETA TRIPLE



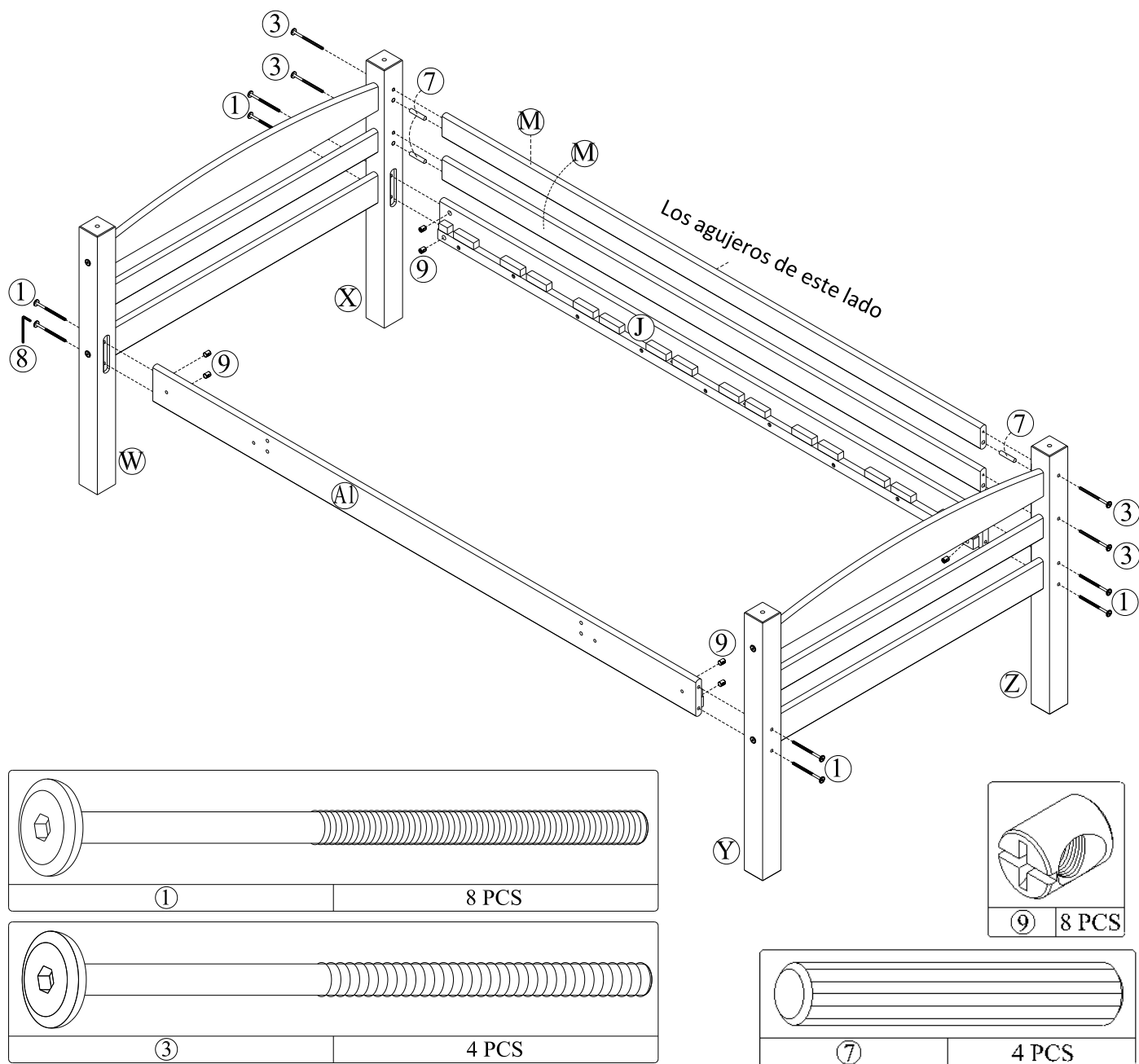
## ETAPA 8

Inserte clavijas de madera (7) en los extremos del travesaño superior de la cabecera (F), del travesaño inferior de la cabecera (G) y del travesaño central de la cabecera (S). Una los pies centrales (W y X) con pernos conectores para madera (3) y la llave Allen (8).

**NOTA:** Puede pasar que los travesaños de la cabecera superior (F, G y S) requieran ser acercados o alejados entre sí para permitir que las clavijas de madera (7) queden alineadas con los agujeros de las patas superiores (W y X).

Repita la etapa anterior para ensamblar la otra cabecera con las patas (Y y Z).

# CAMA CUCHETA TRIPLE



## ETAPA 9

Inserte clavijas de madera (7) en los extremos de las barandas largas (M).

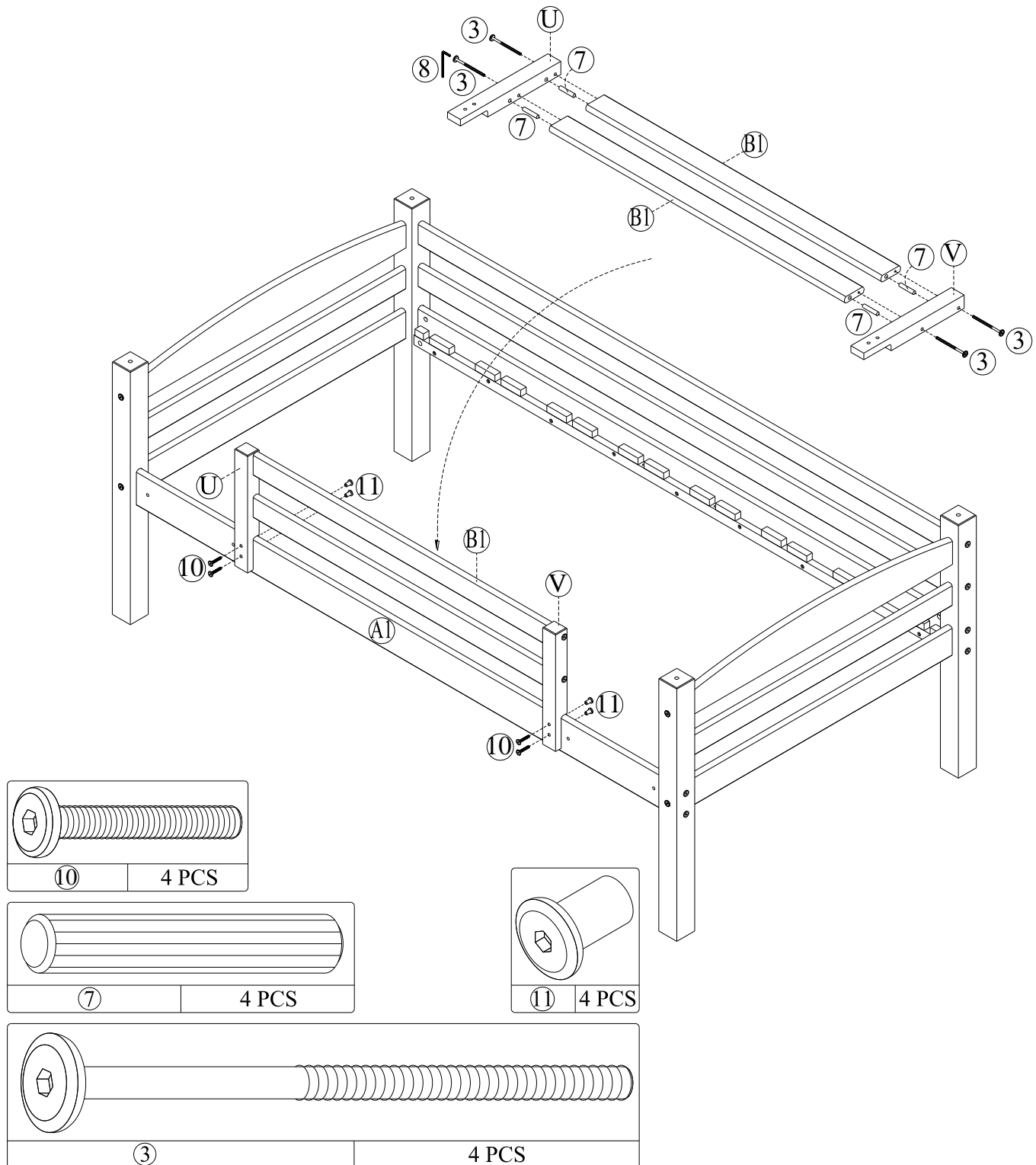
Una dos barandas largas (M) y los largueros laterales (A1 y J) con las patas centrales (W y X) e (Y y Z) como ilustrado.

Fije los largueros laterales (A1 y J) con pernos conectores (1) y tuercas barrilete (9). Fije las barandas largas (M) con pernos conectores para madera (3).

Ajuste los pernos conectores (1) y los pernos conectores para madera (3) con la llave Allen (8).

Nota: Ésta es la cama del medio.

# CAMA CUCHETA TRIPLE

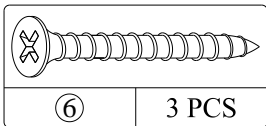
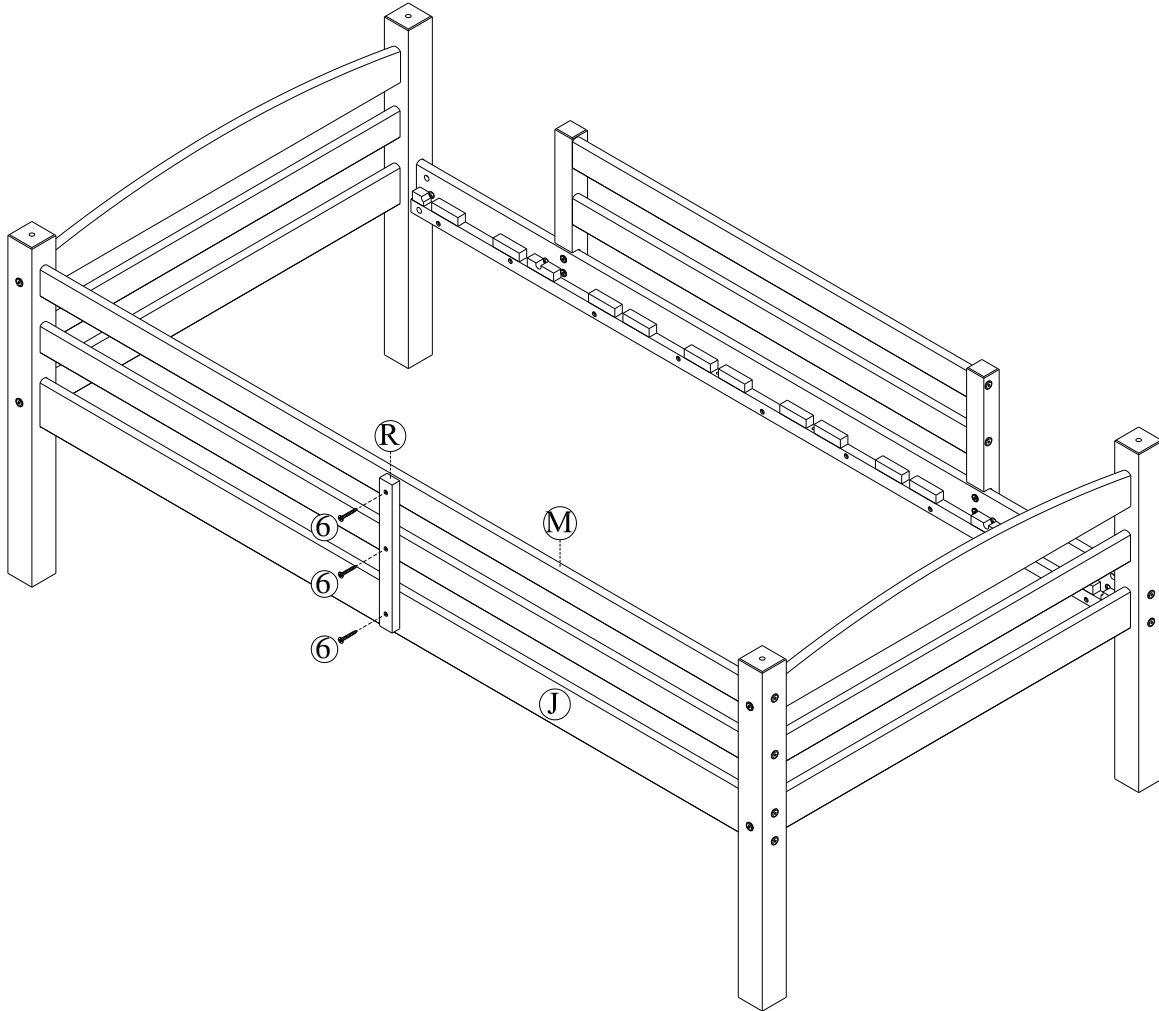


## ETAPA 10

Inserte clavijas de madera (7) en las barandas cortas (B1). Una las barandas cortas (B1) al soporte de baranda (U) y al soporte de baranda derecho (V) con pernos conectores para madera (3) como ilustrado.

Fije el soporte de baranda (U) y el soporte de baranda derecho (V) al larguero lateral central anterior (A1) con pernos conectores (10) y pernos de brida hexagonal (11) como ilustrado.

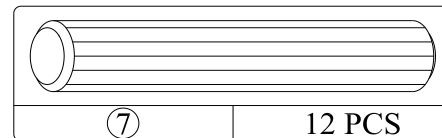
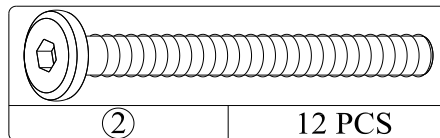
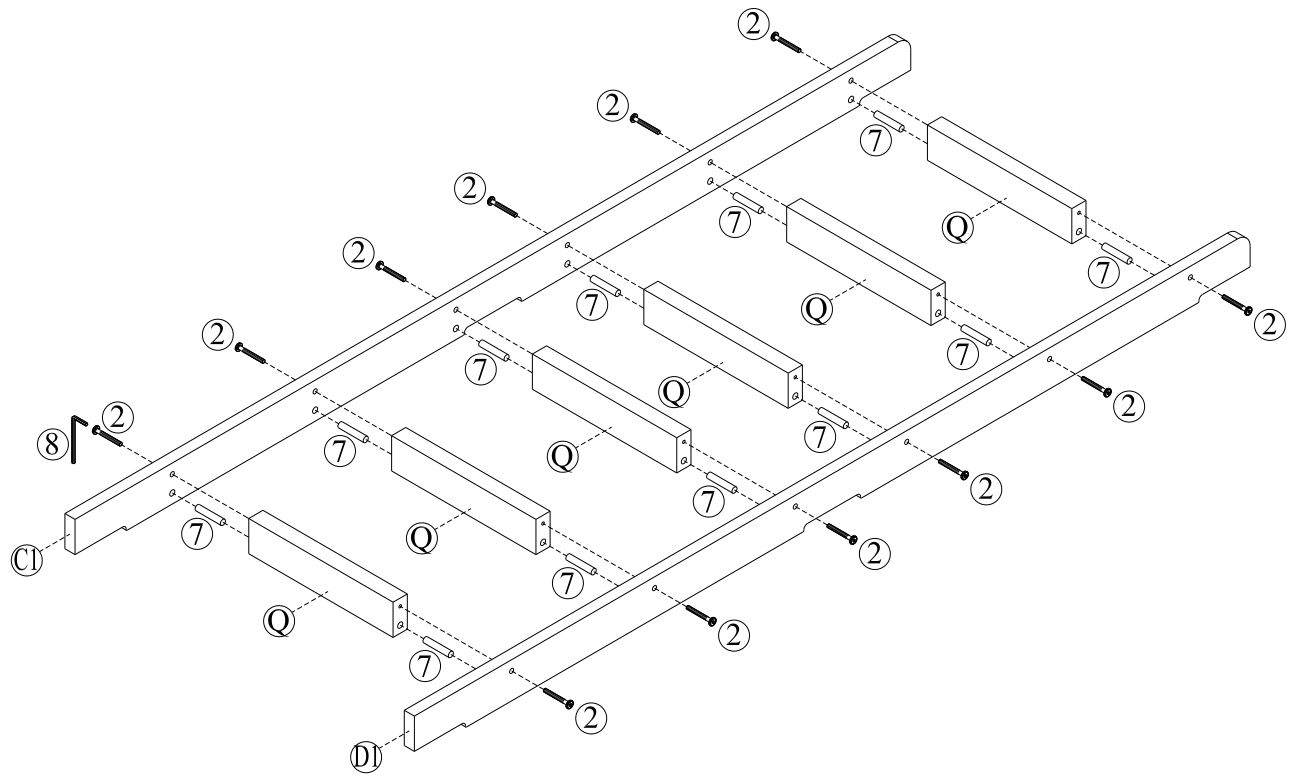
# CAMA CUCHETA TRIPLE



## ETAPA 11

Una el soporte de baranda (R) a las barandas largas (M) y al larguero lateral (J) con tornillos de cabeza plana (6) como ilustrado. Utilice un destornillador Phillips (no incluido) para ajustar los tornillos de cabeza plana.

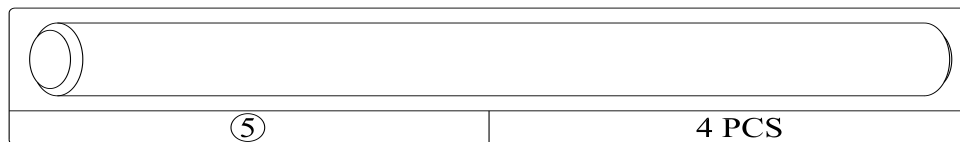
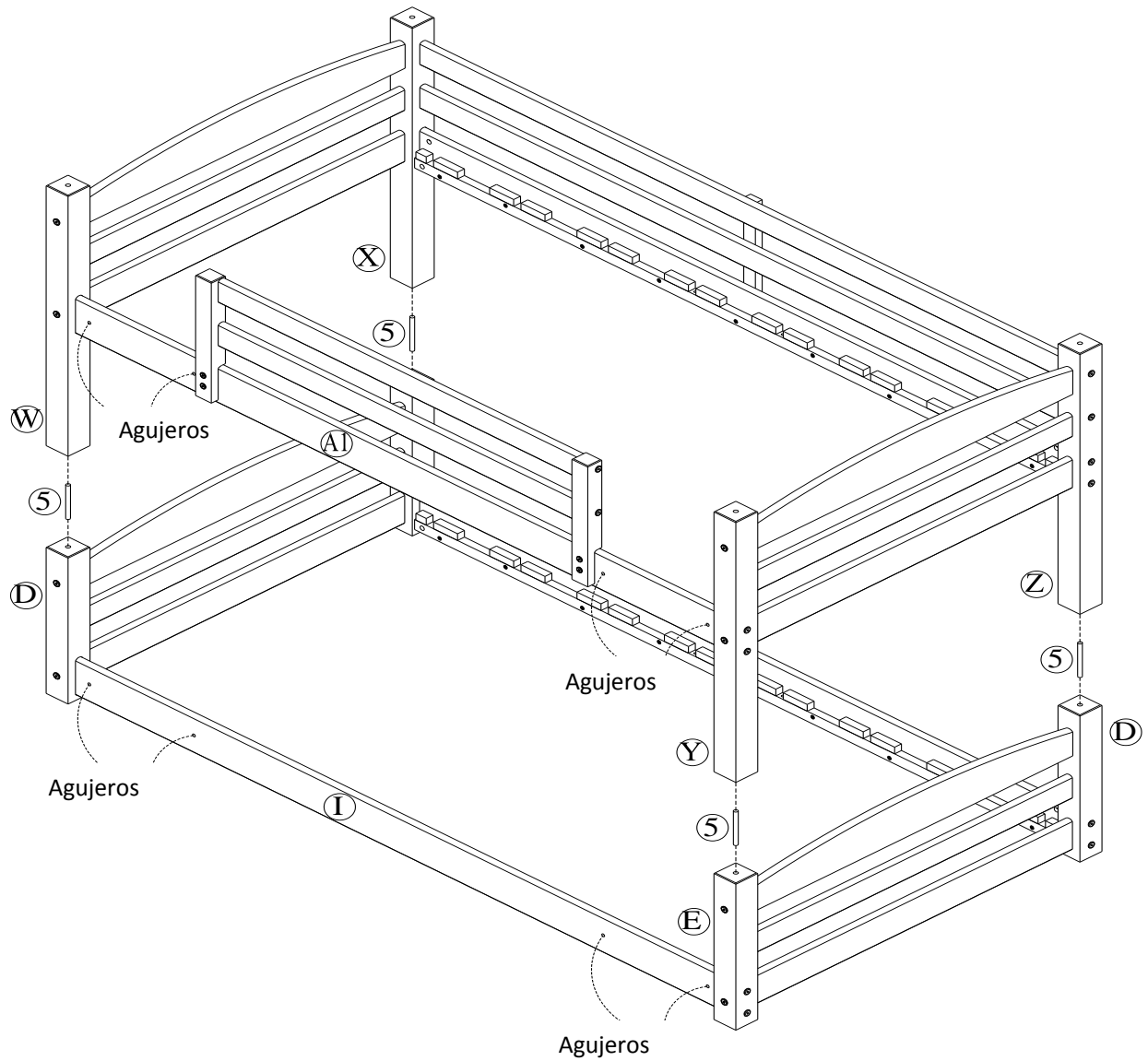
# CAMA CUCHETA TRIPLE



## ETAPA 12

Para ensamblar la escalera, inserte clavijas de madera (7) en los extremos de los escalones (Q). Una los lados de la escalera larga (C1 y D1) con los escalones (Q) con pernos conectores para madera (2) y la llave Allen (8).

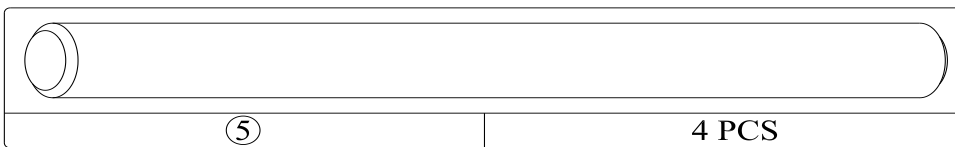
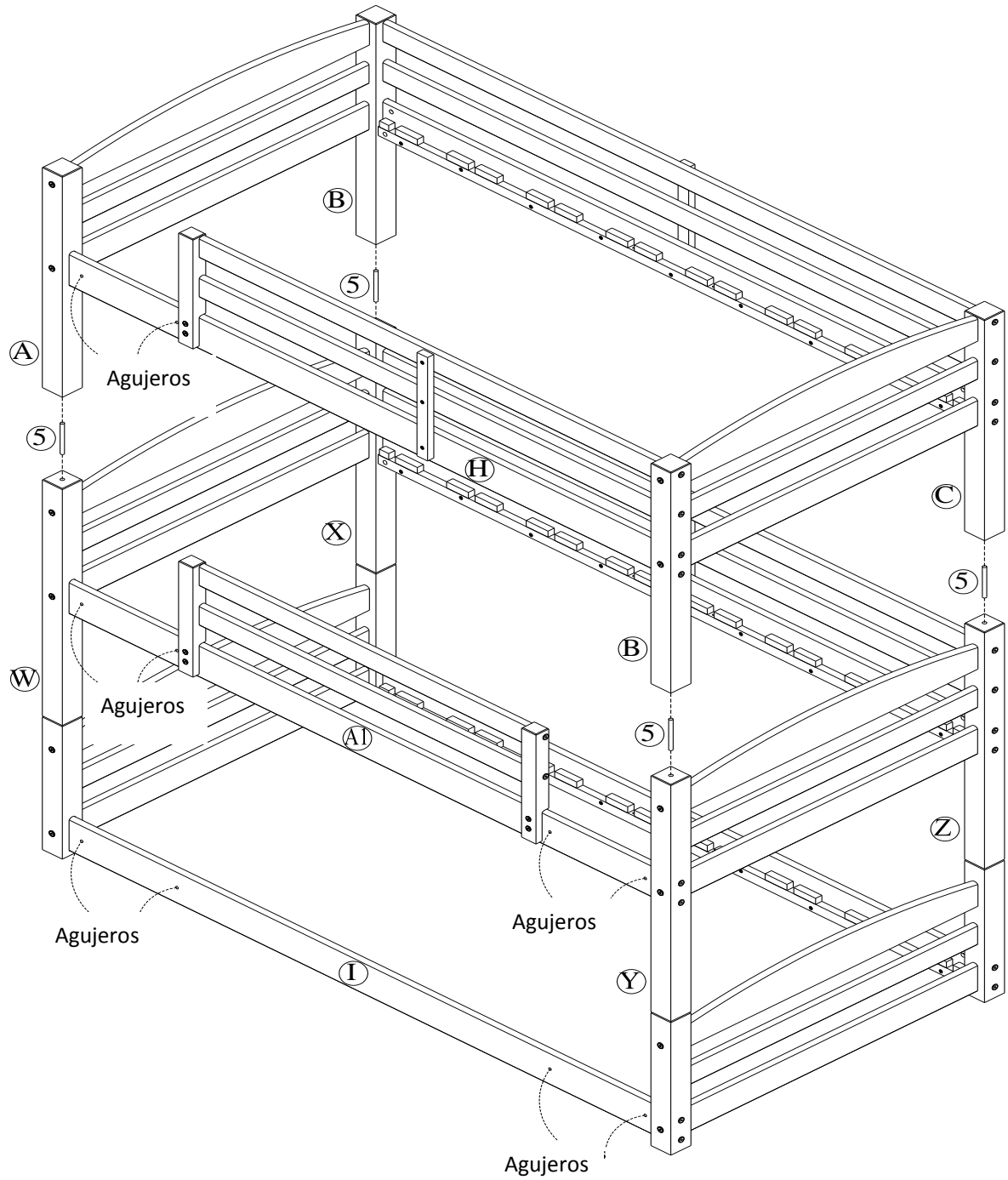
# CAMA CUCHETA TRIPLE



## ETAPA 13

Coloque cuatro clavijas de metal (5) en los agujeros de las patas inferiores (D y E). Con la ayuda de otra persona, coloque la cama del medio sobre la cama inferior.

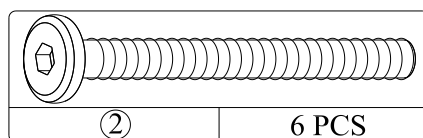
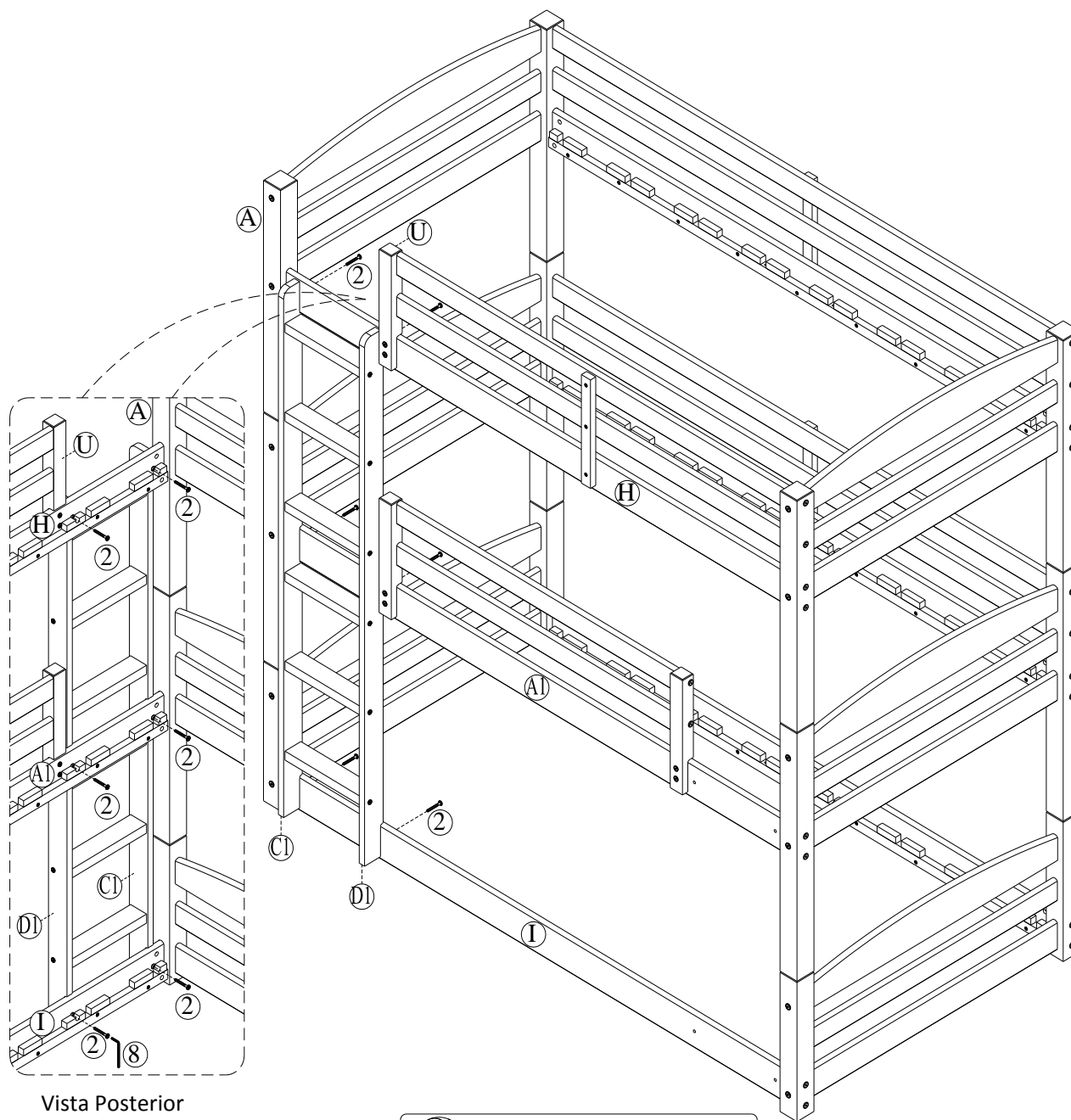
# CAMA CUCHETA TRIPLE



## ETAPA 14

Coloque cuatro clavijas de metal (5) en los agujeros de las patas centrales (W, X, Y, Z). Con la ayuda de otra persona, coloque la cama superior sobre la cama del medio.

# CAMA CUCHETA TRIPLE

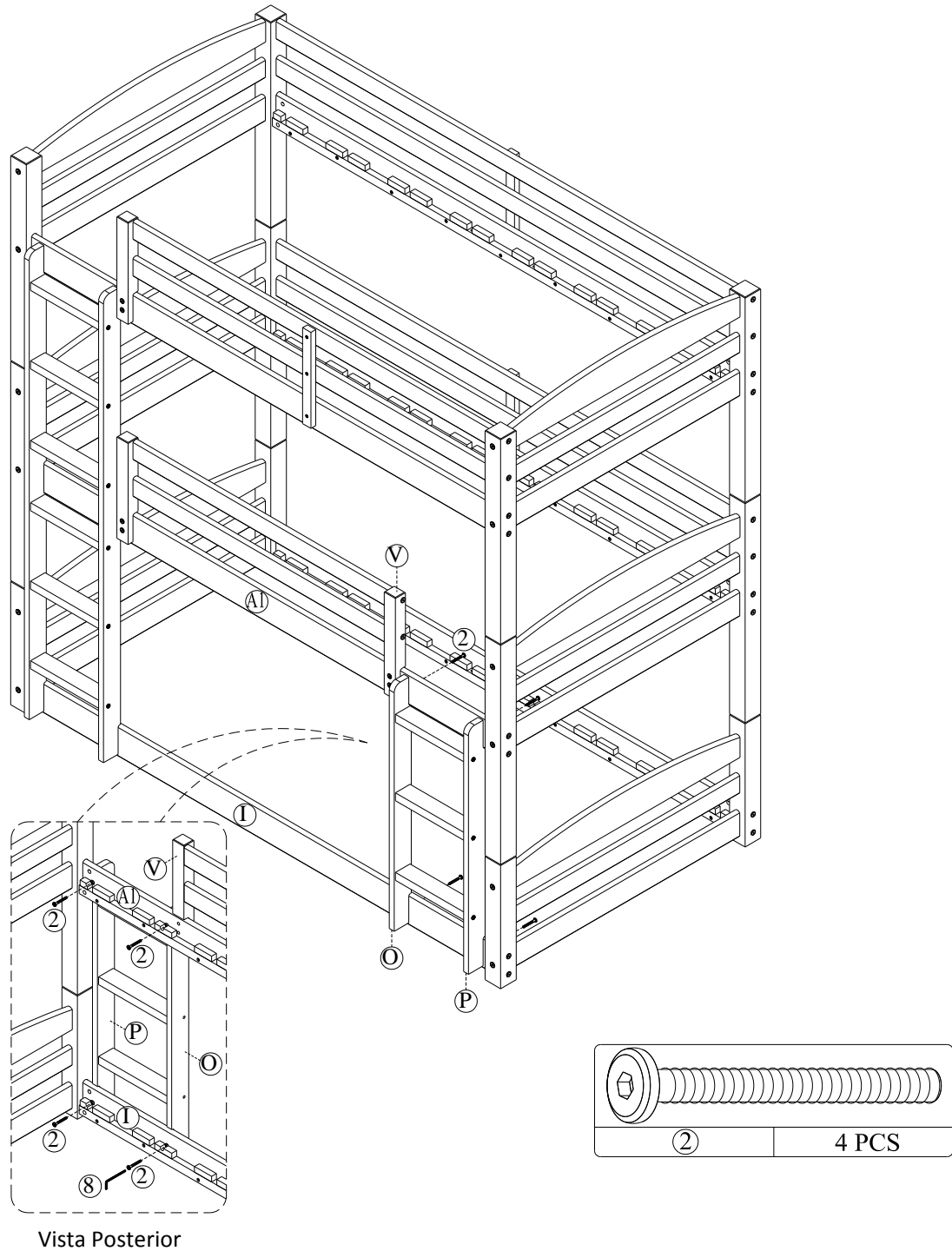


## ETAPA 15

Una la escalera larga a los largueros laterales anteriores (H, A1 e I) con pernos conectores para madera (2) como ilustrado. Utilice la llave Allen (8) para ajustar los pernos conectores.



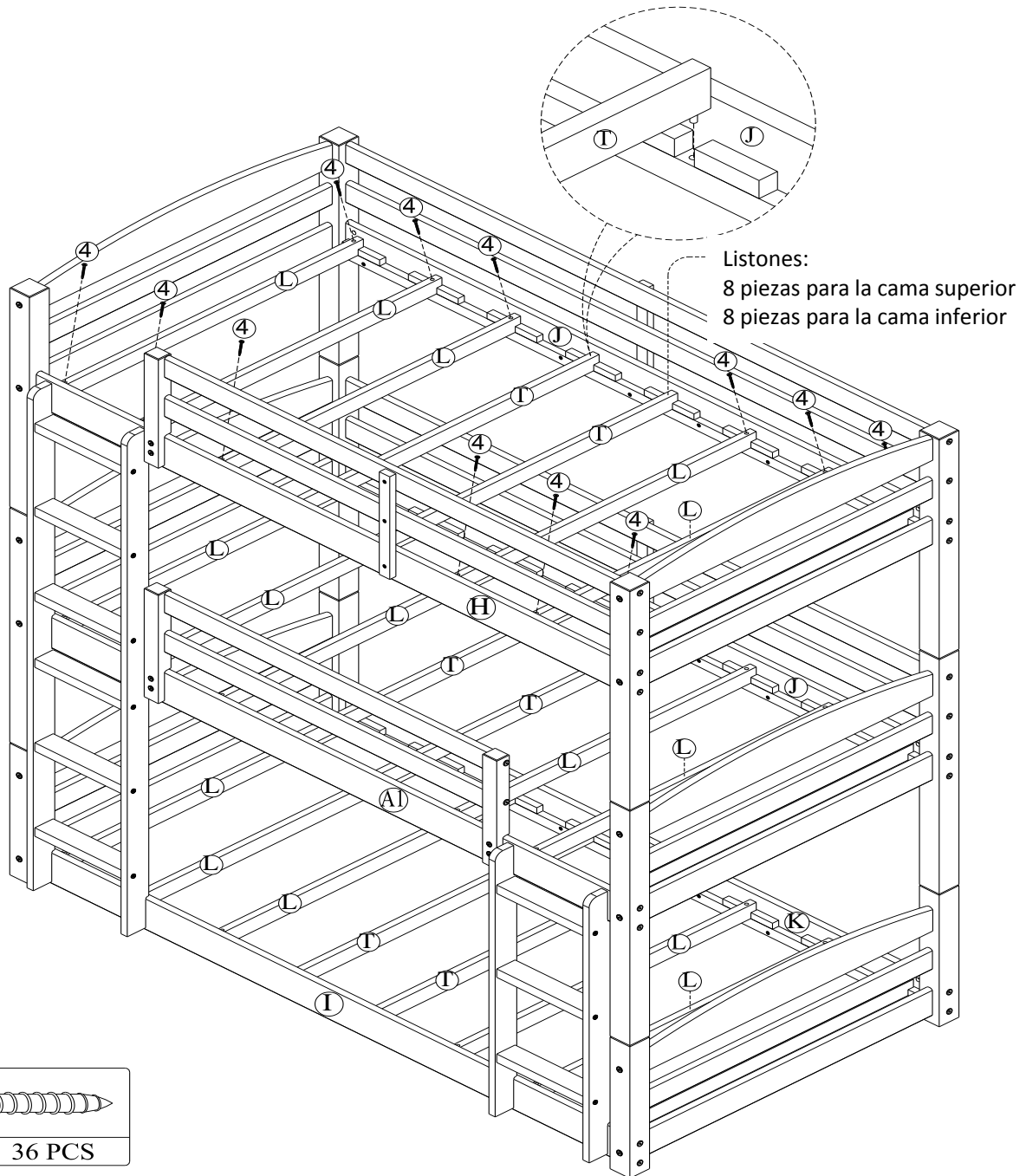
# CAMA CUCHETA TRIPLE



## ETAPA 16

Una la escalera corta a los largueros laterales anteriores (A1 e I) con pernos conectores para madera (2) como ilustrado. Utilice la llave Allen (8) para ajustar los pernos conectores.

# CAMA CUCHETA TRIPLE



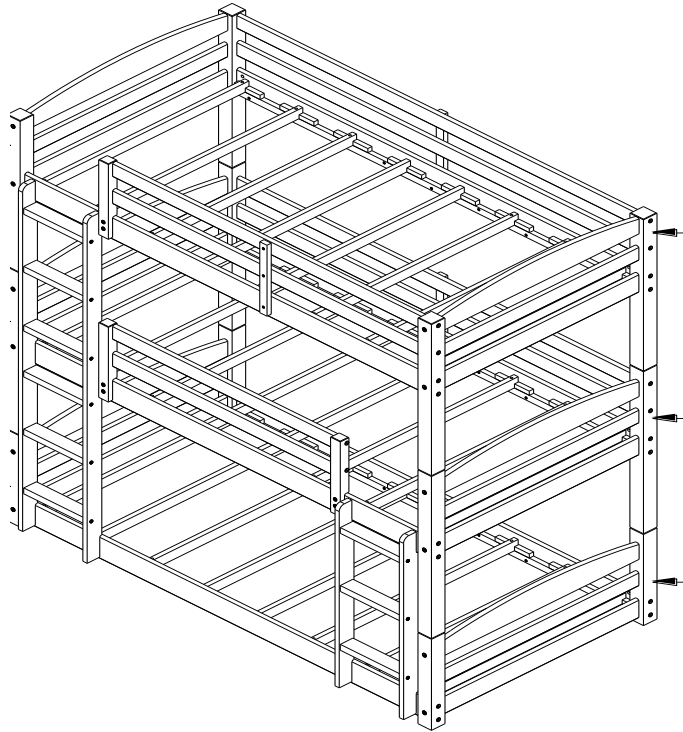
## ETAPA 17

Inserte dos listones con clavija de madera (T) en las ranuras ubicadas en el centro de los largueros laterales superiores (H y J) de la cama superior como ilustrado.

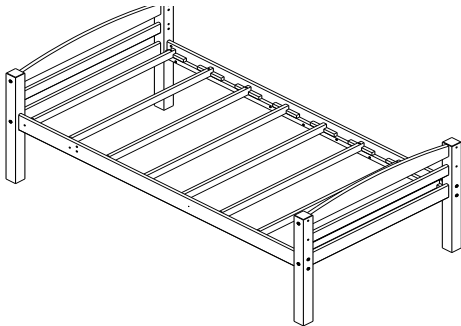
Fije los listones sin clavija de madera (L) en los largueros laterales superiores (H y J) de la cama superior con tornillos de cabeza plana (4) como ilustrado. Utilice un destornillador Phillips (no incluido) para ajustar los tornillos de cabeza plana (4).

Repita este procedimiento para la cama del medio y la cama inferior.

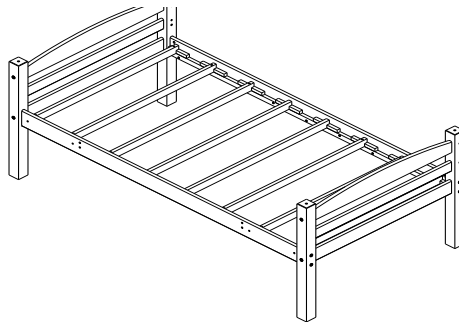
# CAMA CUCHETA TRIPLE



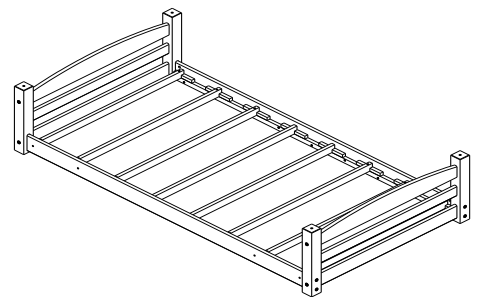
La primera cama simple



La segunda cama simple



La tercera cama simple



Para convertir las camas cuchetas en tres camas simples separadas, retire las dos escaleras y todas las barandas. Con la ayuda de otra persona, retire la cama superior y la cama del medio de la cama inferior.

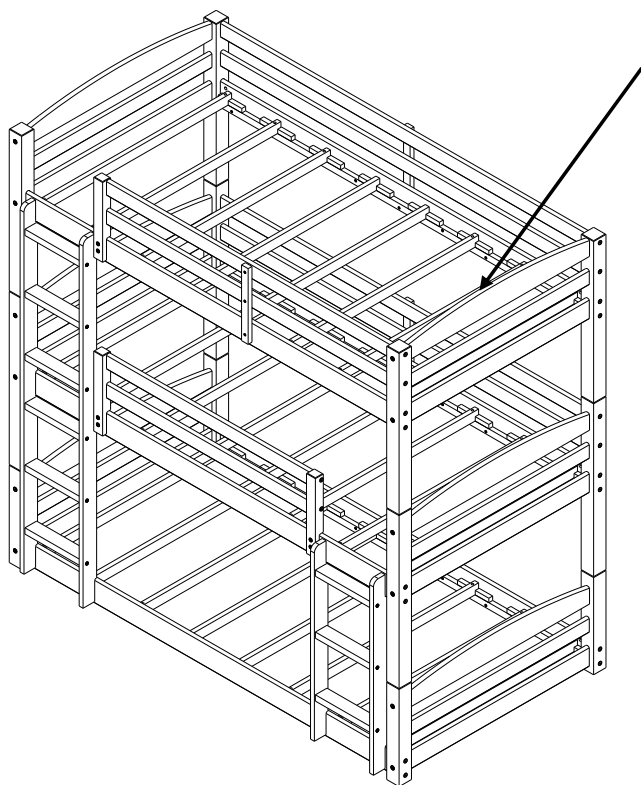
# CAMAS CUCHETAS TRIPLE



**PRECAUCIÓN:** Esta unidad está diseñada para ser utilizada únicamente con los productos y/o pesos máximos indicados. Su uso con otros productos y/o productos más pesados que los pesos máximos indicados puede provocar inestabilidad o causar lesiones.

**NO PERMITA QUE LOS NIÑOS HAGAN PAYASADAS SOBRE O DEBAJO DE LA CAMA Y PROHIBA QUE SALTEN SOBRE ELLA.**

**NO PERMITA QUE NIÑOS MENORES DE 6 AÑOS DUERMAN EN LA CUCHETA SUPERIOR. LA CAMA ESTÁ DISEÑADA PARA NIÑOS DESDE 6 AÑOS HASTA LA ADOLESCENCIA TEMPRANA.**



**PESO MÁXIMO: 165  
LBS (75 KGS) PARA  
CUCHETA**

**UTILICE SOLAMENTE  
COLCHONES CON RESORTES  
EN ESPIRAL EN LAS DOS  
CUCHETAS. EL NO RESPETAR  
ESTO PUEDE CAUSAR**

**UTILICE ÚNICAMENTE COLCHONES DE 74"-75" DE LARGO Y 37 1/2" - 38 1/2" DE ANCHO EN LA DOS CUCHETAS. ASEGÚRESE DE QUE EL ESPESOR DEL COLCHÓN NO EXCEDA 6".**

¡Eso es! Has terminado el montaje de su litera.

**NO DEVUELVA EL PRODUCTO A LA TIENDA.**

Si falta una pieza o está dañada, comuníquese con nuestro Departamento de Servicio al Cliente. Reemplazaremos la pieza SIN costo alguno.



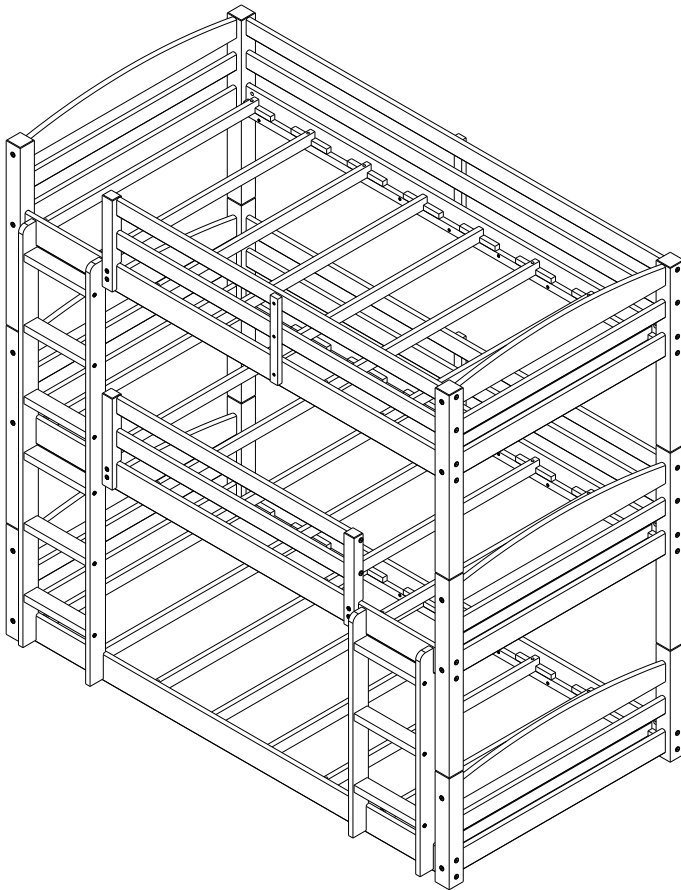
Tel: 1-800-295-1980  
Correo electr.: [das@dorel.com](mailto:das@dorel.com)  
Fax: 514-353-7819

## LITS SUPERPOSÉS À TROIS NIVEAUX

Modèle No:	Code CUP:	Couleur:
WM7891TBB	0-65857-18614-7	MOKA
WM7891TBBW	0-65857-18664-2	BLANC
WM7891TBBG	0-65857-19463-0	GRIS
WM7891TBBB	0-65857-19662-7	NOIR

La satisfaction de nos clients est important pour nous chez Dorel Asia. Nos représentants sont disponibles du lundi au vendredi de 8 h à 17 h (heure de l'est) pour répondre à toutes vos questions. Afin d'accélérer le service, ayez toujours en main le numéro de modèle lorsque vous contacterez notre numéro sans frais 1-800-295-1980 ou par courriel à [das@dorel.com](mailto:das@dorel.com).

Pour trouver d'autres idées inspirantes, veuillez visiter notre site web à [www.dorelliving.com](http://www.dorelliving.com). Vous pouvez aussi souscrire à notre page [Facebook](#) pour être à la fine pointe de toutes les dernières tendances.



**ATTENTION**

**UTILISEZ CE  
MANUEL POUR  
ASSEMBLER LE LITS  
SUPERPOSÉS À  
TROIS NIVEAUX**

Date d'achat : \_\_\_\_ / \_\_\_\_ / \_\_\_\_

Numéro de lot : \_\_\_\_\_  
(sur la boîte)

**NE RETOURNEZ PAS LE PRODUIT AU DÉTAILLANT.** Si une pièce est manquante ou endommagée, veuillez communiquer avec notre service à la clientèle. Nous la remplacerons **GRATUITEMENT**.

**NOTE:** CE MANUEL D'INSTRUCTIONS CONTIENT INFORMATION DE SÉCURITÉ **IMPORTANT**. VEUILLEZ LE LIRE ET LE CONSERVER POUR RÉFÉRENCE ULTÉRIEURE.

## SERVICE À LA CLIENTÈLE

Si des pièces sont manquantes ou si vous avez des questions concernant ce produit, contactez un représentant de notre service à la clientèle d'abord!

 **APPELEZ 1-800-295-1980**

Vous pouvez aussi commander des pièces en écrivant à l'adresse indiquée ci-dessous. Veuillez inclure le numéro de modèle du produit, la couleur et une description détaillée de la pièce.

**Service à la clientèle, Département No. 413**

**12345 boul. Albert-Hudon, Suite 100**

**Montreal, Quebec**

**Canada, H1G 3L1**

**Courriel: [das@dorel.com](mailto:das@dorel.com)**



## MISES EN GARDE:

- \* **DANGER D'ÉTRANGLEMENT** – NE JAMAIS ATTACHER OU SUSPENDRE D'ARTICLES SUR AUCUNE PARTIE DU LIT SUPERPOSÉ QUI NE SONT PAS CONÇUS POUR ÊTRE UTILISÉ AVEC LE LIT; PAR EXEMPLE, MAIS NE SE LIMITANT PAS À DES CROCHETS, CEINTURES ET CORDES À DANSER.
- \* SUIVEZ LES INFORMATIONS SUR LES MISES EN GARDE INSCRITES SUR LA STRUCTURE DU LIT SUPERPOSÉ SUPÉRIEUR ET SUR LA BOÎTE. NE PAS ENLEVER L'ÉTIQUETTE DE MISE EN GARDE SUR LE LIT.
- \* LA PLATEFORME DE MATELAS EST CONÇUE POUR SUPPORTER UN MATELAS SANS AVOIR BESOIN D'UN SUPPORT DE MATELAS OU D'UN SOMMIER.
- \* TOUJOURS UTILISER LE FORMAT DE MATELAS OU DE SUPPORT DE MATELAS RECOMMANDÉ, OU LES DEUX, POUR AIDER À PRÉVENIR LES RISQUES PROBABLES DE PIÉGAGE OU DE CHUTES.
- \* **UTILISEZ UNIQUEMENT DES MATELAS À RESSORTS SUR LES DEUX LITS SUPÉRIEUR ET INFÉRIEUR. SINON DES BLESSURES PEUVENT EN RÉSULTER.**
- \* UTILISEZ SEULEMENT DES MATELAS DE 74"-75" DE LONGUEUR ET DE 37 1/2" - 38 1/2" DE LARGEUR POUR LA COUCHETTE SUPÉRIEURE ET INFÉRIEURE. ASSUREZ-VOUS QUE L'ÉPAISSEUR DES MATELAS NE DÉPASSE PAS 6". LA SURFACE DE MATELAS DOIT ÊTRE AU MOINS DE 5 "(127MM) CI-DESSOUS DE LA BANDE SUPÉRIEURE DE GUARDRAILS.
- \* NE PAS PERMETTRE AUX ENFANTS DE MOINS DE 6 ANS D'UTILISER LE LIT SUPÉRIEUR.
- \* CAPACITÉ DE POIDS MAXIMUM: 165 LB (75 KG) PAR NIVEAU.
- \* TOUJOURS UTILISER LES BARRIÈRES SUR LES DEUX CÔTÉS LONGS DU LIT SUPÉRIEUR. SI LE LIT SUPERPOSÉ SERA PLACÉ À CÔTÉ D'UN MUR. LA BARRIÈRE DE LA PLEINE GRANDEUR DU LIT DOIT ÊTRE PLACÉE CONTRE LE MUR POUR PRÉVENIR LES RISQUES DE PIÉGAGE ENTRE LE LIT ET LE MUR (APPLICABLE POUR LES LITS SUPERPOSÉS AVEC BARRIÈRES PLEINE LONGUEUR SUR UN CÔTÉ).
- \* VÉRIFIEZ PÉRIODIQUEMENT ET ASSUREZ-VOUS QUE LA BARRIÈRE, L'ÉCHELLE ET LES AUTRES COMPOSANTS SONT EN PLACE CORRECTEMENT, SANS DOMMAGES, ET QUE TOUTES LES VIS DE RACCORDEMENT SONT BIEN SERRÉES.
- \* NE PAS JOUER SUR OU SOUS LE LIT ET INTERDICTION DE SAUTER SUR LE LIT.
- \* NE PAS SUBSTITUER DE PIÈCES. CONTACTEZ LE SERVICE À LA CLIENTÈLE POUR DES PIÈCES DE REMPLACEMENT.
- \* L'UTILISATION D'UNE VEILLEUSE REPRÉSENTE UNE PRÉCAUTION DE SÉCURITÉ SUPPLÉMENTAIRE POUR L'ENFANT QUI OCCUPE LE LIT SUPÉRIEUR.
- \* L'UTILISATION D'UN MATELAS D'EAU OU MATELAS GONFLABLE EST INTERDITE.
- \* TOUJOURS UTILISER L'ÉCHELLE POUR MONTER OU DESCENDRE DU LIT SUPÉRIEUR.

- \* INTERDIRE PLUS D'UNE PERSONNE SUR LE LIT SUPÉRIEUR.
- \* CONSERVEZ CES INSTRUCTIONS POUR RÉFÉRENCE ULTÉRIEURE.

## NOTES

- \* LIRE ATTENTIVEMENT CHAQUE ÉTAPE AVANT DE COMMENCER. IL EST TRÈS IMPORTANT QUE CHAQUE ÉTAPE SOIT EXÉCUTÉE DANS L'ORDRE APPROPRIÉ. SI CES ÉTAPES NE SONT PAS SUIVIES DANS L'ORDRE, DES DIFFICULTÉS D'ASSEMBLAGE SE PRODUIRONT ET PEUVENT ENTRAÎNER DES BLESSURES.
- \* **ATTENTION:** ASSEMBLAGE PAR UN ADULTE REQUIS.
- \* ASSUREZ-VOUS QUE TOUTES LES PIÈCES SONT INCLUSES. TRAVAILLEZ DANS UN ENDROIT SPACIEUX, PRÉFÉRABLEMENT SUR UNE SURFACE LISSE ET DOUCE.
- \* DEUX PERSONNES SONT REQUISES POUR L'ASSEMBLAGE.
- \* LA PLUPART DES PLANCHES SONT ÉTIQUETÉES OU ESTAMPILLÉES SUR LE CÔTÉ NON-FINI.
- \* UN TOURNEVIS À TÊTE CRUCIFORME (NON INCLUS) EST NÉCESSAIRE.
- \* UN MAILLET EN CAOUTCHOUC (NON INCLUS) EST RECOMMANDÉ POUR FACILITER L'ASSEMBLAGE.
- \* LE LIT EST CONÇU POUR DES ENFANTS DE 6 ANS JUSQU'À JEUNES ADOLESCENTS.

### SOIN ET ENTRETIEN

Époussetez régulièrement avec un chiffon doux et sec. Nous ne recommandons pas l'utilisation de produits nettoyants ou de cire sur notre mobilier laqué car cela pourrait endommager la finition. Gardez les solvants, alcools, vernis à ongles et décapants loin des surfaces de votre mobilier en bois franc. Utilisez un service de nettoyage professionnel pour nettoyer le tissu.

### ENTRETIEN

Vérifiez les boulons/vis périodiquement et serrez-les si nécessaire.

### GARANTIE LIMITÉE

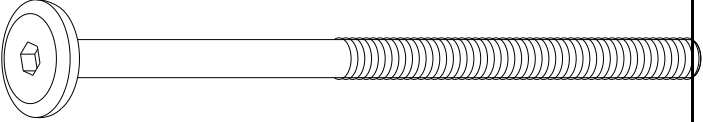
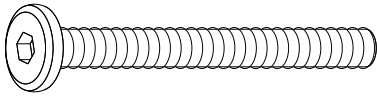
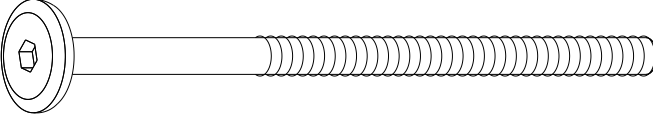
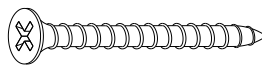

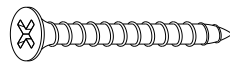
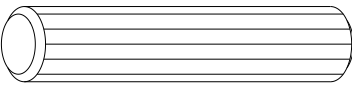
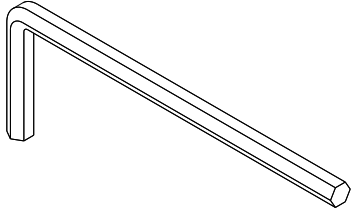
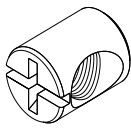
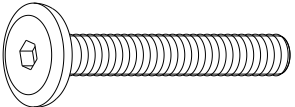
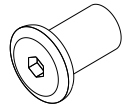
Dorel garantit que son produit est exempt de vices de matériaux et de fabrication et s'engage à remédier à un tel défaut. Cette garantie couvre 1 an à partir de la date d'achat originale. Cette garantie n'est valable que sur présentation d'une preuve d'achat. Elle est uniquement limitée à la réparation ou au remplacement de composants défectueux du mobilier et aucun travail de montage n'est inclus. Cette garantie ne s'applique pas à un produit qui a été mal assemblé, soumis à une mauvaise utilisation ou abus, ou qui a été altéré ou réparé d'une façon quelconque. Cette garantie vous donne des droits légaux spécifiques et vous pouvez également avoir d'autres droits qui varient d'une province à l'autre.



**MISE EN GARDE: Si ce produit est endommagé et/ou si des pièces sont brisées ou manquantes, NE PAS UTILISER.**

# LITS SUPERPOSÉS À TROIS NIVEAUX

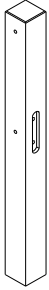
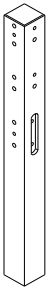


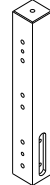
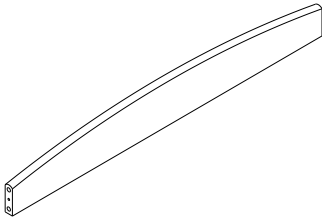
## LISTE DE QUINCAILLERIE

<p><b>1</b></p>  <p>Φ 1/4" x 100mm</p>	<p><b>2</b></p>  <p>Φ 6.5mm x 48mm</p>	
<p>BOULON DE RACCORDEMENT (4MM TÊTE HEXAGONALE) 24 PCS</p>	<p>BOULON DE RACCORDEMENT (4MM TÊTE HEXAGONALE) 28 PCS</p>	
<p><b>3</b></p>  <p>Φ 6.5mm x 100mm</p>	<p><b>4</b></p>  <p>Φ 4mm x 35mm</p>	
<p>BOULON DE RACCORDEMENT BOIS (4MM TÊTE HEXAGONALE) 40 PCS</p>	<p>VIS À TÊTE PLATE 36 PCS</p>	
<p><b>5</b></p>  <p>Φ 10mm x 100mm</p>	<p><b>6</b></p>  <p>Φ 4mm x 30mm</p>	
<p>GOUJON DE MÉTAL 8 PCS</p>	<p>VIS À TÊTE PLATE 9 PCS</p>	
<p><b>7</b></p>  <p>Φ 10mm x 50mm</p>	<p><b>8</b></p> 	
<p>GOUJON DE BOIS 106 PCS</p>	<p>CLÉ ALLEN 1 PC</p>	
<p><b>9</b></p>  <p>Φ 11.8mm x 15mm</p>	<p><b>10</b></p>  <p>Φ 1/4" x 32mm</p>	<p><b>11</b></p>  <p>Φ 9mm x 17mm</p>
<p>ÉCROU TRANSVERSAL 24 PCS</p>	<p>BOULON DE RACCORDEMENT (4MM TÊTE HEXAGONALE) 6 PCS</p>	<p>VIS À TÊTE HEXAGONALE CREUSE 6 PCS</p>



# LITS SUPERPOSÉS À TROIS NIVEAUX

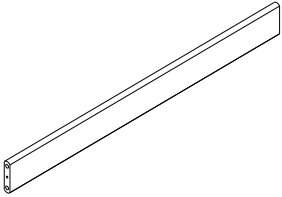
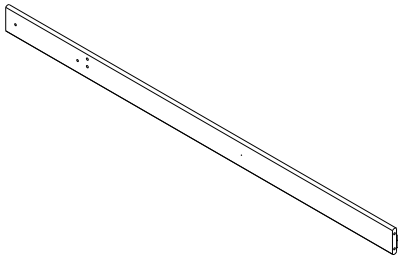
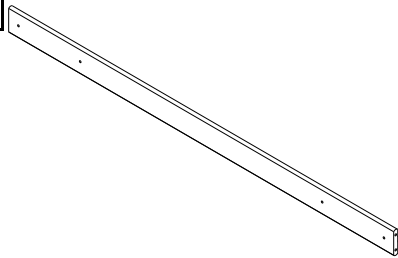
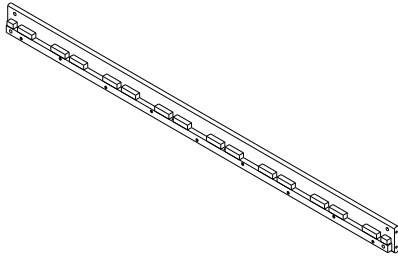
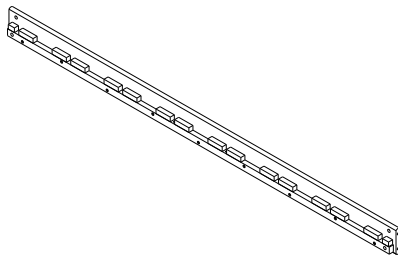
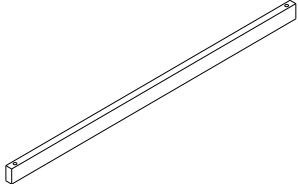
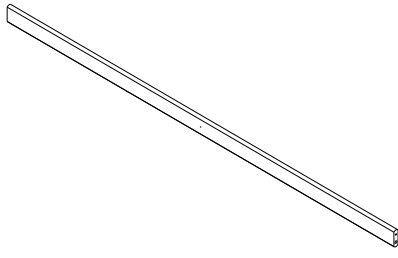
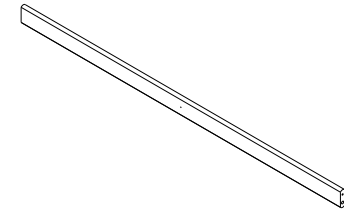


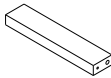

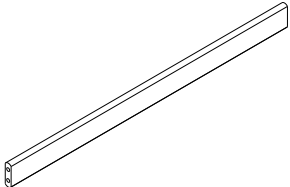
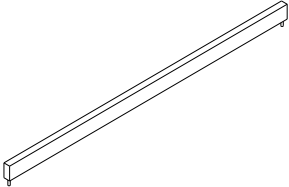

## LISTE DE PIÈCES

<b>A</b> 	<b>B</b> 	<b>C</b> 
PIED SUPÉRIEUR 1 PC	PIED SUPÉRIEUR 2 PCS	PIED SUPÉRIEUR 1 PC
<b>D</b> 	<b>E</b> 	<b>F</b> 
PIED INFÉRIEUR 2 PCS	PIED INFÉRIEUR 2 PCS	TRAVERSE SUPÉRIEURE TÊTE DE LIT 6 PCS

NOTE – Les pièces requises pour assembler les lits superposés à trois niveaux sont emballées dans 2 boîtes. Assurez-vous d'avoir toutes les pièces avant de commencer l'assemblage.






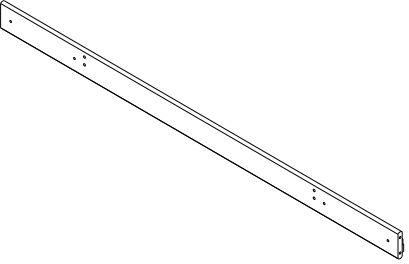
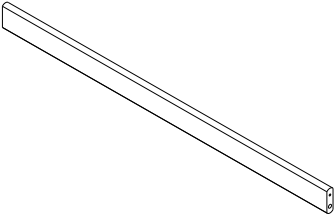
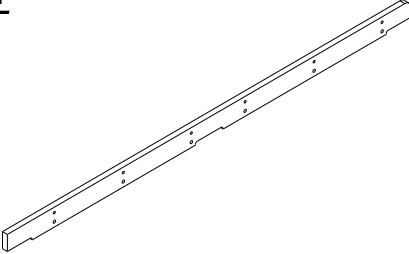
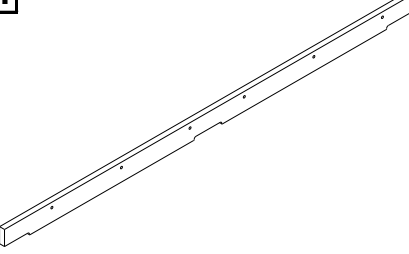
# LITS SUPERPOSÉS À TROIS NIVEAUX

## LISTE DE PIÈCES

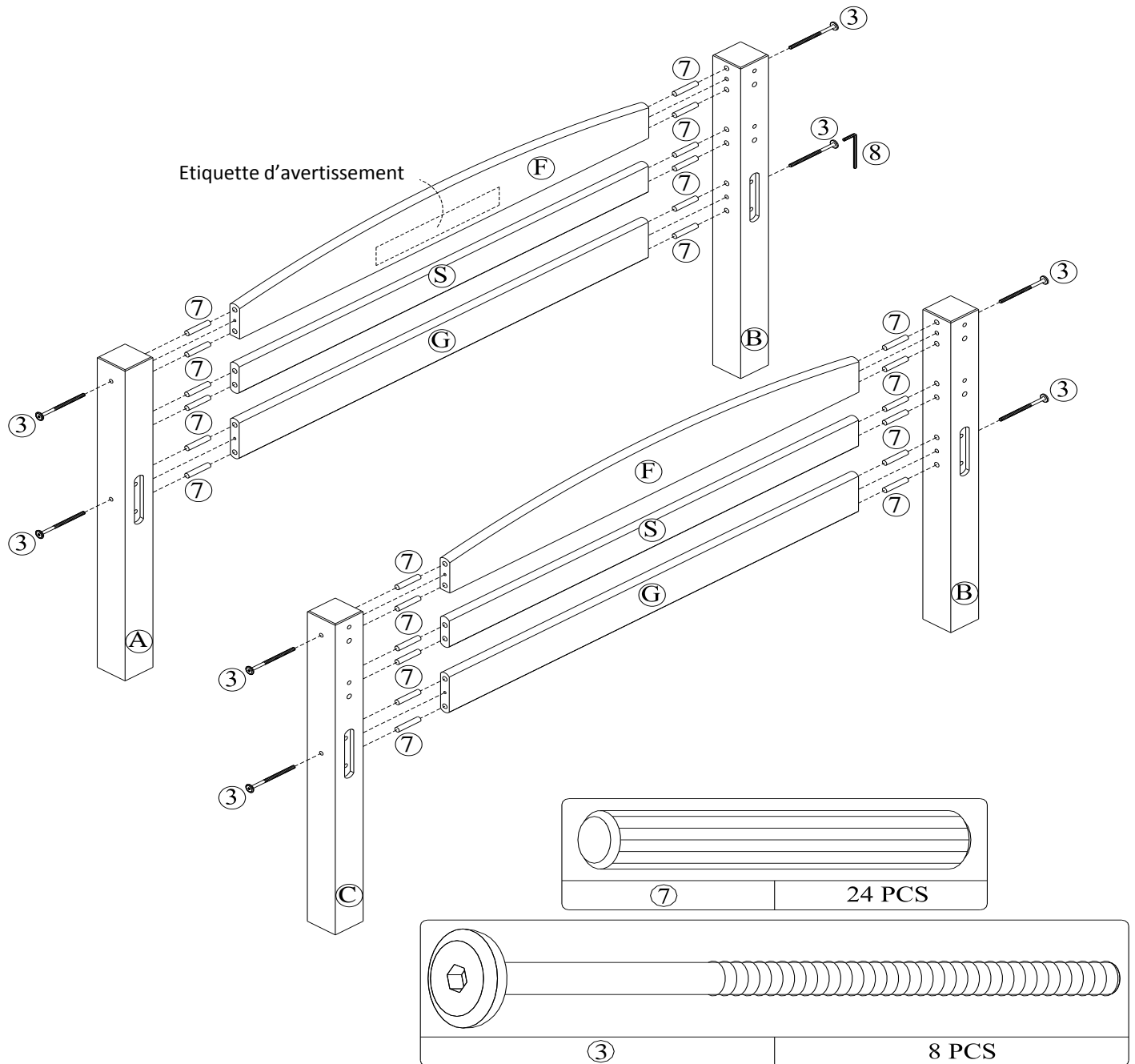
<b>G</b> 	<b>H</b> 	<b>I</b> 
TRAVERSE INFÉRIEURE TÊTE DE LIT 6 PCS	BARRE LATÉRALE SUPÉRIEURE AVANT 1 PC	BARRE LATÉRALE INFÉRIEURE AVANT 1 PC
<b>J</b> 	<b>K</b> 	<b>L</b> 
BARRE LATÉRALE ARRIÈRE 2 PCS	BARRE LATÉRALE INFÉRIEURE ARRIÈRE 1 PC	LATTE SANS GOUJON DE BOIS 18 PCS
<b>M</b> 	<b>N</b> 	<b>O</b> 
BARRIÈRE LONGUE 4 PCS	BARRIÈRE COURTE 2 PCS	CÔTÉ GAUCHE ÉCHELLE 1 PC
<b>P</b> 	<b>Q</b> 	<b>R</b> 
CÔTÉ DROIT ÉCHELLE 1 PC	MARCHÉ 9 PCS	SUPPORT DE BARRIÈRE 3 PCS
<b>S</b> 	<b>T</b> 	<b>U</b> 
TRAVERSE CENTRALE TÊTE DE LIT 6 PCS	LATTE AVEC GOUJON DE BOIS 6 PCS	SUPPORT DE BARRIÈRE 2 PCS

# LITS SUPERPOSÉS À TROIS NIVEAUX

## LISTE DE PIÈCES

<b>V</b> 	<b>W</b> 	<b>X</b> 
SUPPORT DE BARRIÈRE DROIT 1 PC	PIED CENTRAL 1 PC	PIED CENTRAL 1 PC
<b>Y</b> 	<b>Z</b> 	<b>A1</b> 
PIED CENTRAL 1 PC	PIED CENTRAL 1 PC	BARRE LATÉRALE AVANT 1 PC
<b>B1</b> 	<b>C1</b> 	<b>D1</b> 
BARRIÈRE COURTE 2 PCS	CÔTÉ GAUCHE ÉCHELLE LONGUE 1 PC	CÔTÉ DROIT ÉCHELLE LONGUE 1 PC

# LITS SUPERPOSÉS À TROIS NIVEAUX



## ÉTAPE 1

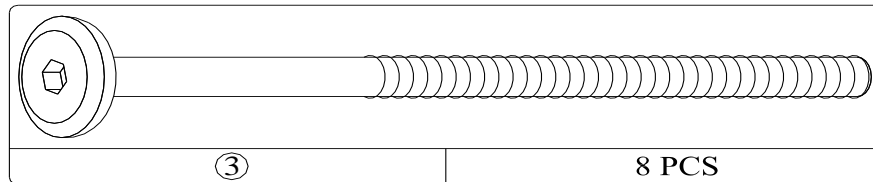
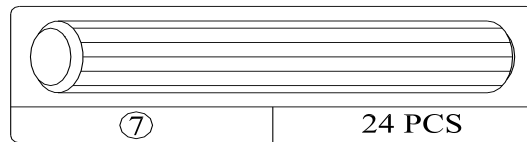
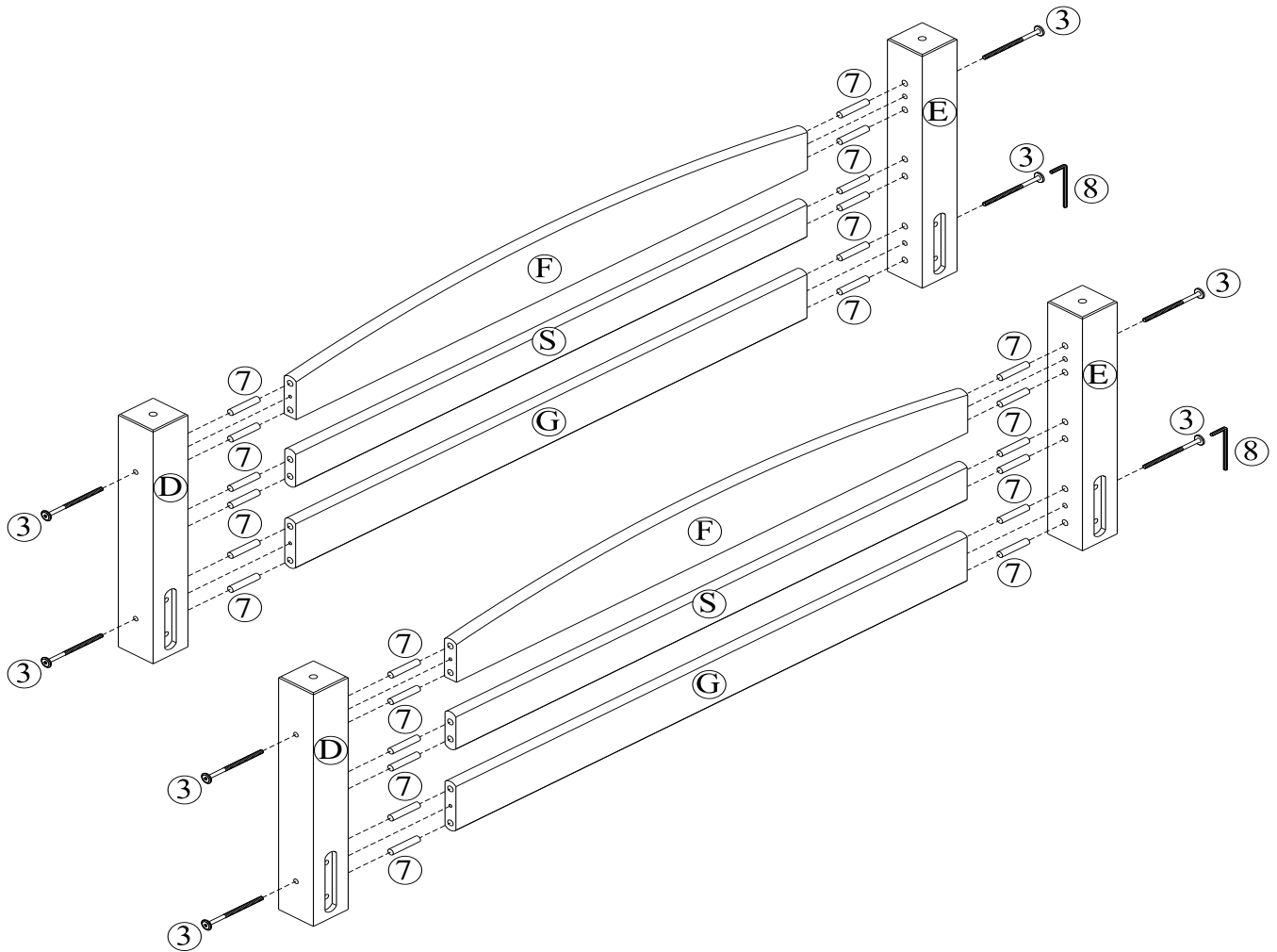
Insérez des goujons de bois (7) dans les extrémités de la traverse supérieure de la tête de lit (F), dans la traverse inférieure de la tête de lit (G) et dans la traverse centrale de la tête de lit (S). Fixez-les aux pieds supérieurs (A et B) avec des boulons de raccordement pour bois (3) tel qu'illustré. Serrez les boulons de raccordement pour bois (3) à l'aide de la clé Allen (8).

**NOTE :** Peut-être que les traverses de la tête de lit supérieure (F, G et S) devront être rapprochées ou éloignées dans le but de permettre aux goujons de bois (7) de s'aligner avec les trous des pieds supérieurs (A et B).

Répétez l'étape précédente pour assembler l'autre tête de lit avec les pieds (B et C).

**NOTE :** Assurez-vous d'utiliser la traverse supérieure de tête de lit (F) qui porte une étiquette d'avertissement entre les pieds supérieurs (A) et (B). Référez-vous à l'illustration ci-dessus pour voir l'orientation de l'étiquette.

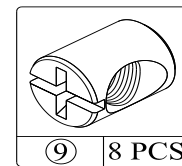
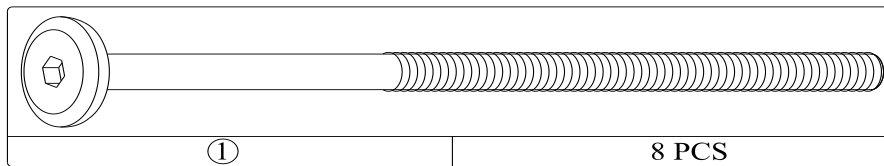
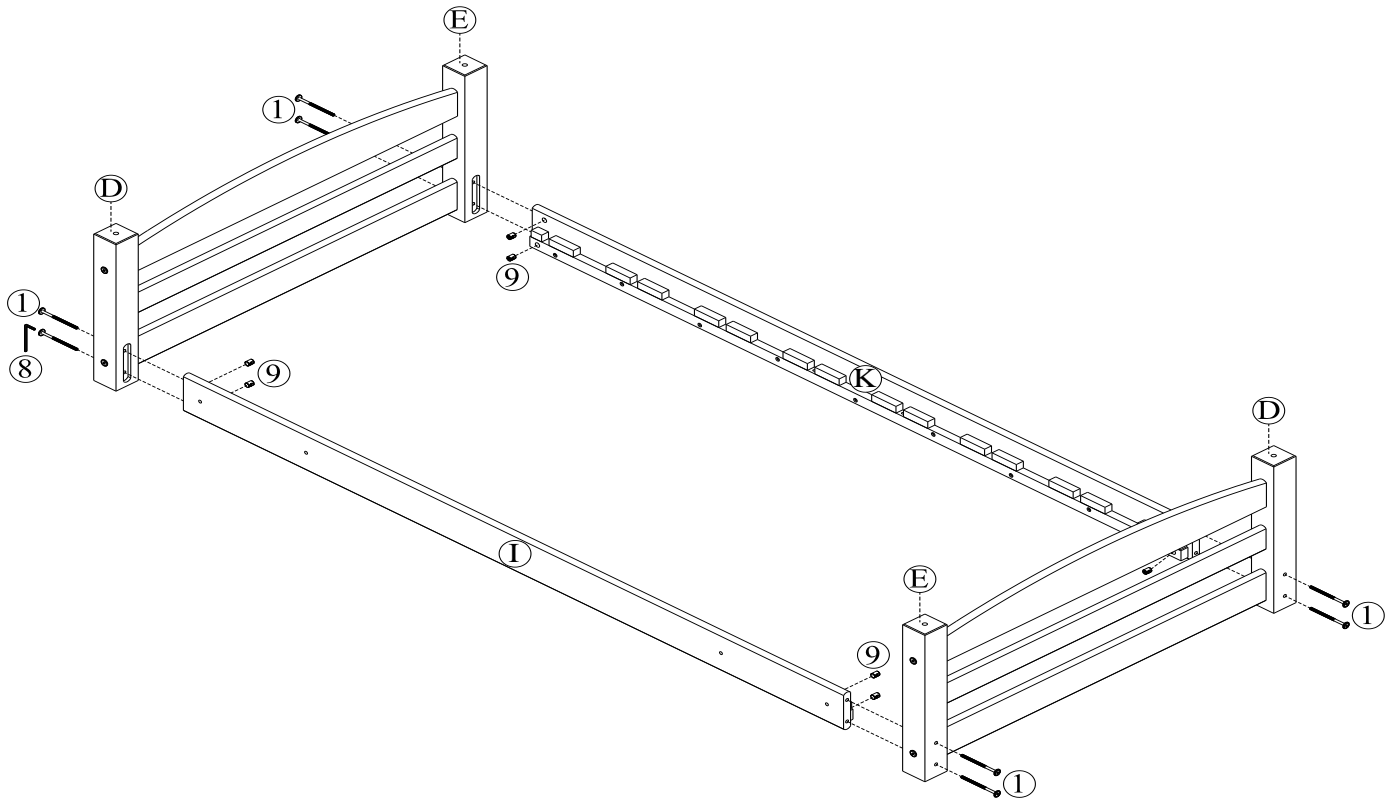
# LITS SUPERPOSÉS À TROIS NIVEAUX



## ÉTAPE 2

Insérez des goujons de bois (7) dans les extrémités de la traverse supérieure de tête de lit (F), dans la traverse inférieure de tête de lit (G) et dans la traverse centrale de tête de lit (S) et fixez-les aux pieds inférieurs (D) et (E) avec des boulons de raccordement pour bois (3) tel qu'illustré. Serrez les boulons de raccordement pour bois (3) à l'aide de la clé Allen (8).

# LITS SUPERPOSÉS À TROIS NIVEAUX

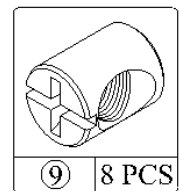
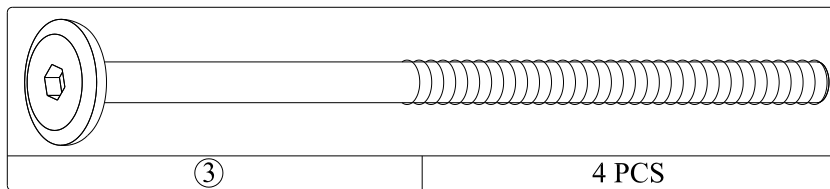
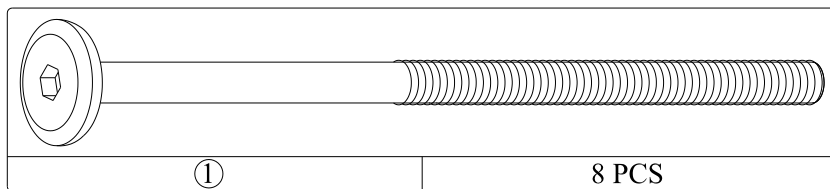
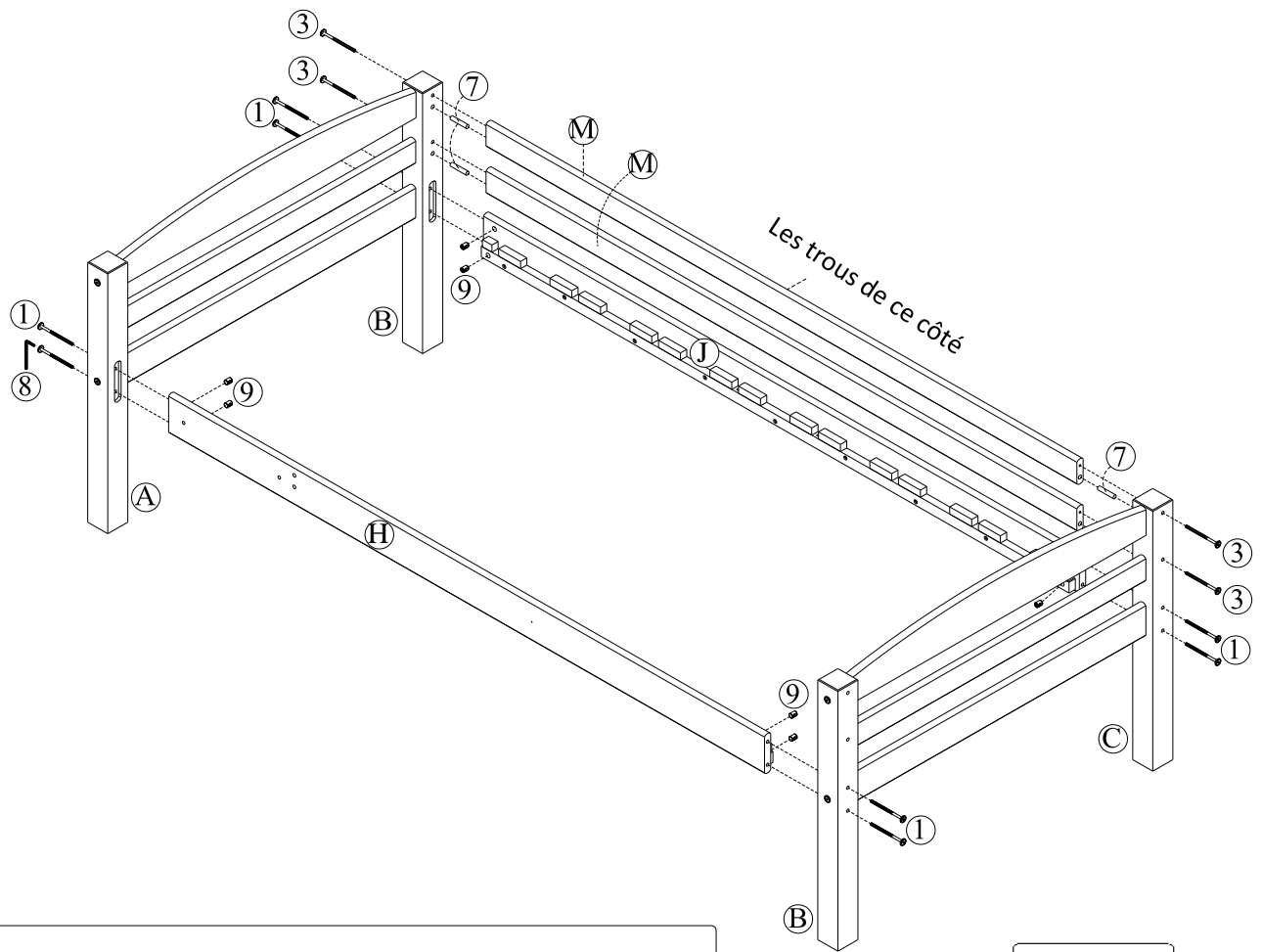


## ÉTAPE 3

Fixez les deux têtes de lit aux pieds inférieurs (D et E), à la barre latérale inférieure avant (I) et à la barre latérale inférieure arrière (K) avec des boulons de raccordement (1) et des écrous transversaux (9) tel qu'illustré. Serrez les boulons de raccordement (1) à l'aide de la clé Allen (8).

Note : Ceci est le lit inférieur.

# LITS SUPERPOSÉS À TROIS NIVEAUX



## ÉTAPE 4

Insérez des goujons de bois (7) dans les extrémités des barrières longues (M).

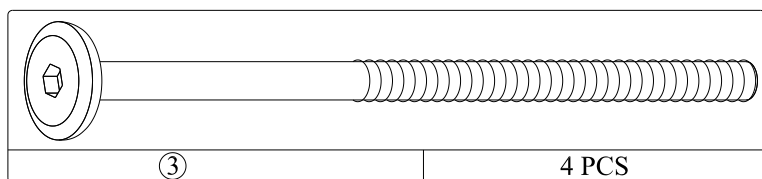
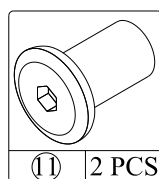
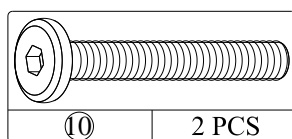
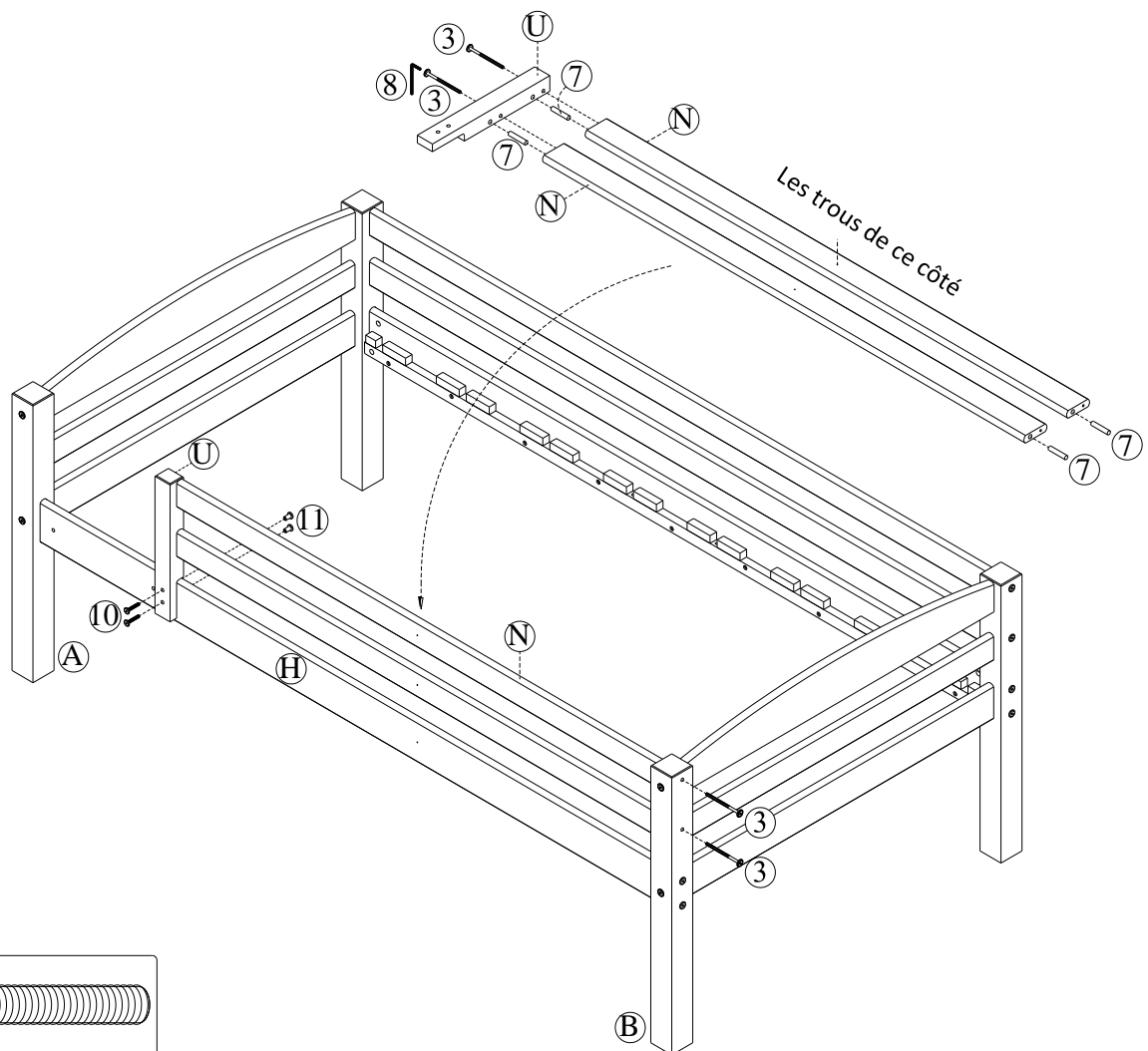
Fixez les deux barrières longues (M) et les barres latérales supérieures (H et J) aux pieds supérieurs (A et B) et (C et B) tel qu'illustré.

Fixez les barres latérales supérieures (H et J) avec des boulons de raccordement (1) et des écrous transversaux (9). Fixez les barrières longues (M) avec des boulons de raccordement pour bois (3).

Serrez les boulons de raccordement (1) et les boulons de raccordement pour bois (3) à l'aide de la clé Allen (8).

Note : Ceci est le lit supérieur.

# LITS SUPERPOSÉS À TROIS NIVEAUX



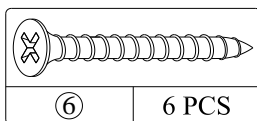
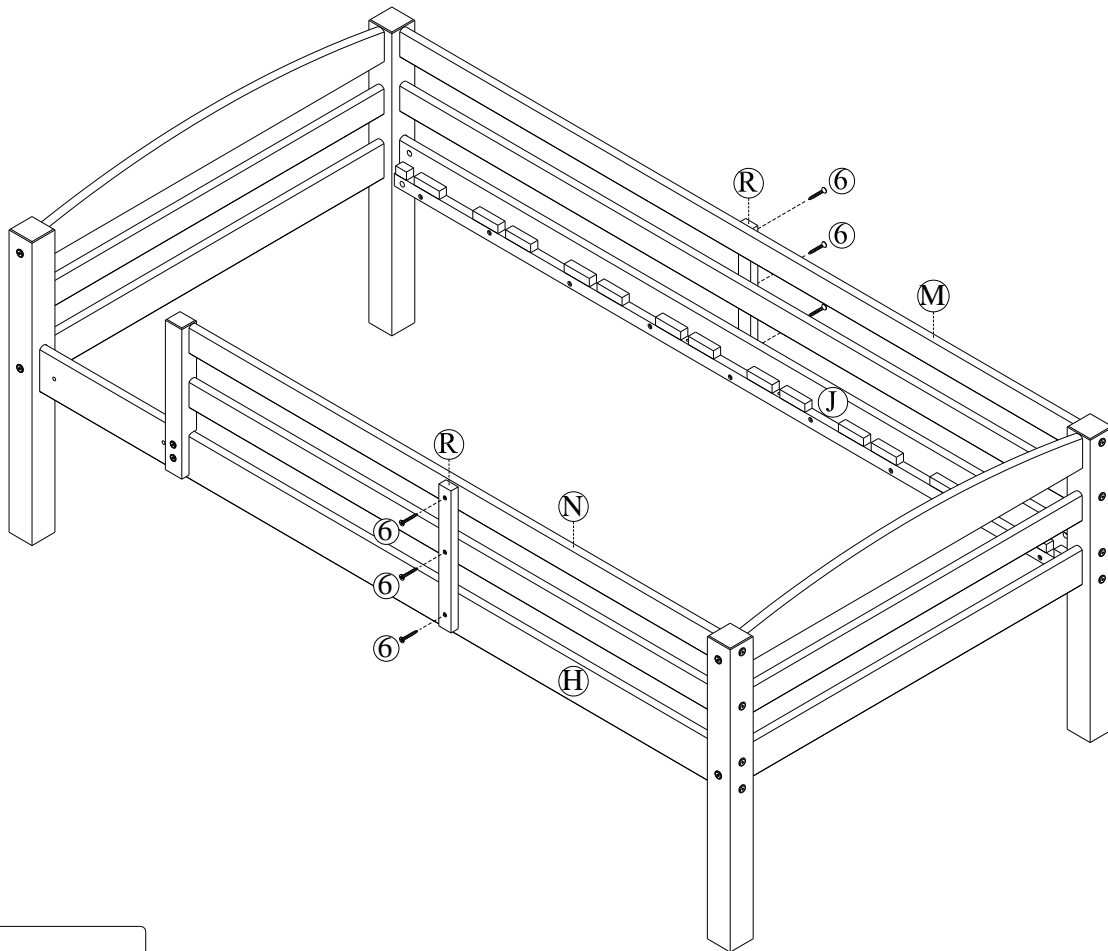
## ÉTAPE 5

Insérez des goujons de bois (7) dans les barrières courtes (N). Fixez les barrières courtes (N) au support de barrière (U) avec des boulons de raccordement pour bois (3) tel qu'illustré.

Fixez les barrières courtes (N) au pied supérieur (B) avec des boulons de raccordement pour bois (3). Fixez le support de barrière (U) à la barre latérale supérieure avant (H) avec des boulons de raccordement (10) et des vis à tête hexagonale creuse (11) tel qu'illustré.



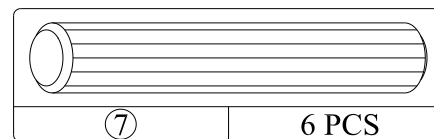
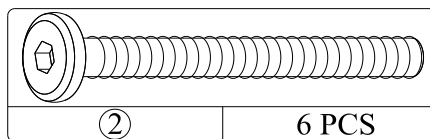
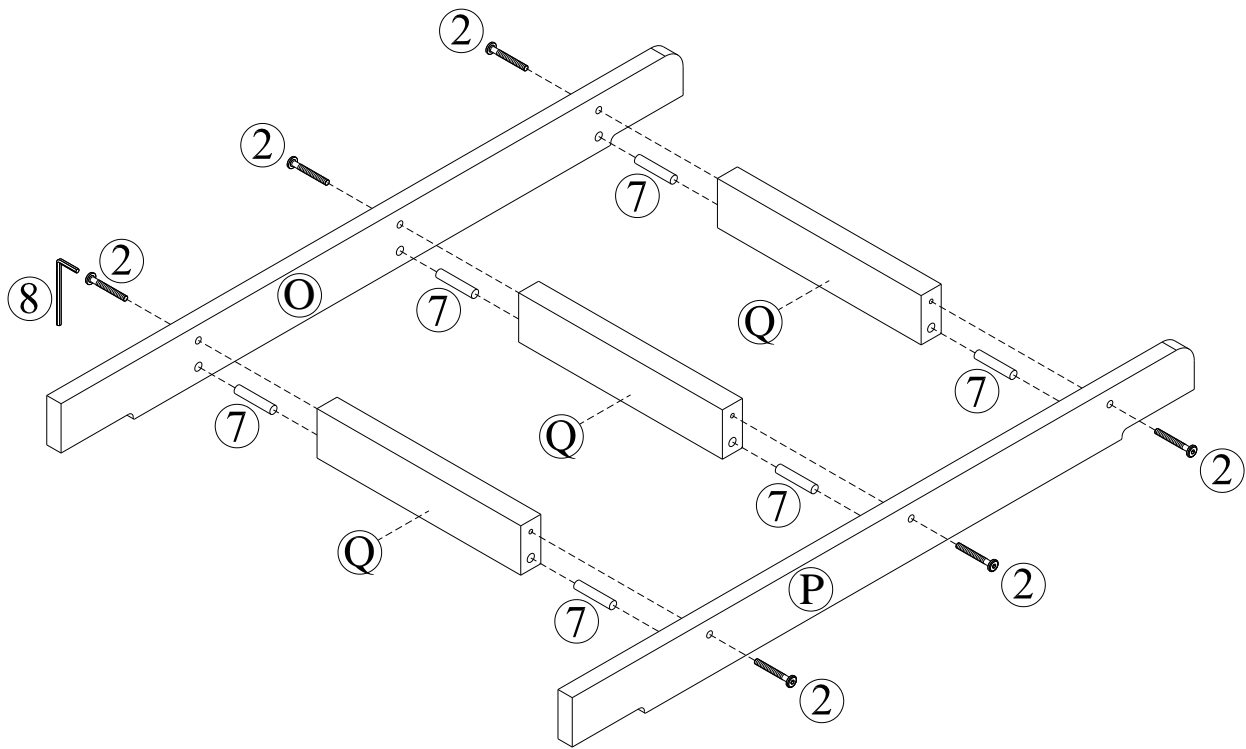
# LITS SUPERPOSÉS À TROIS NIVEAUX



## ÉTAPE 6

Fixez un support de barrière (R) aux barrières courtes (N) et à la barre latérale supérieure avant (H) avec des vis à tête plate (6). Fixez l'autre support de barrière (R) (de l'autre côté du lit) aux barrières longues (M) et à la barre latérale supérieure arrière (J) avec des vis à tête plate (6) tel qu'illustré. Servez-vous d'un tournevis cruciforme (non compris) pour serrer les vis à tête plate.

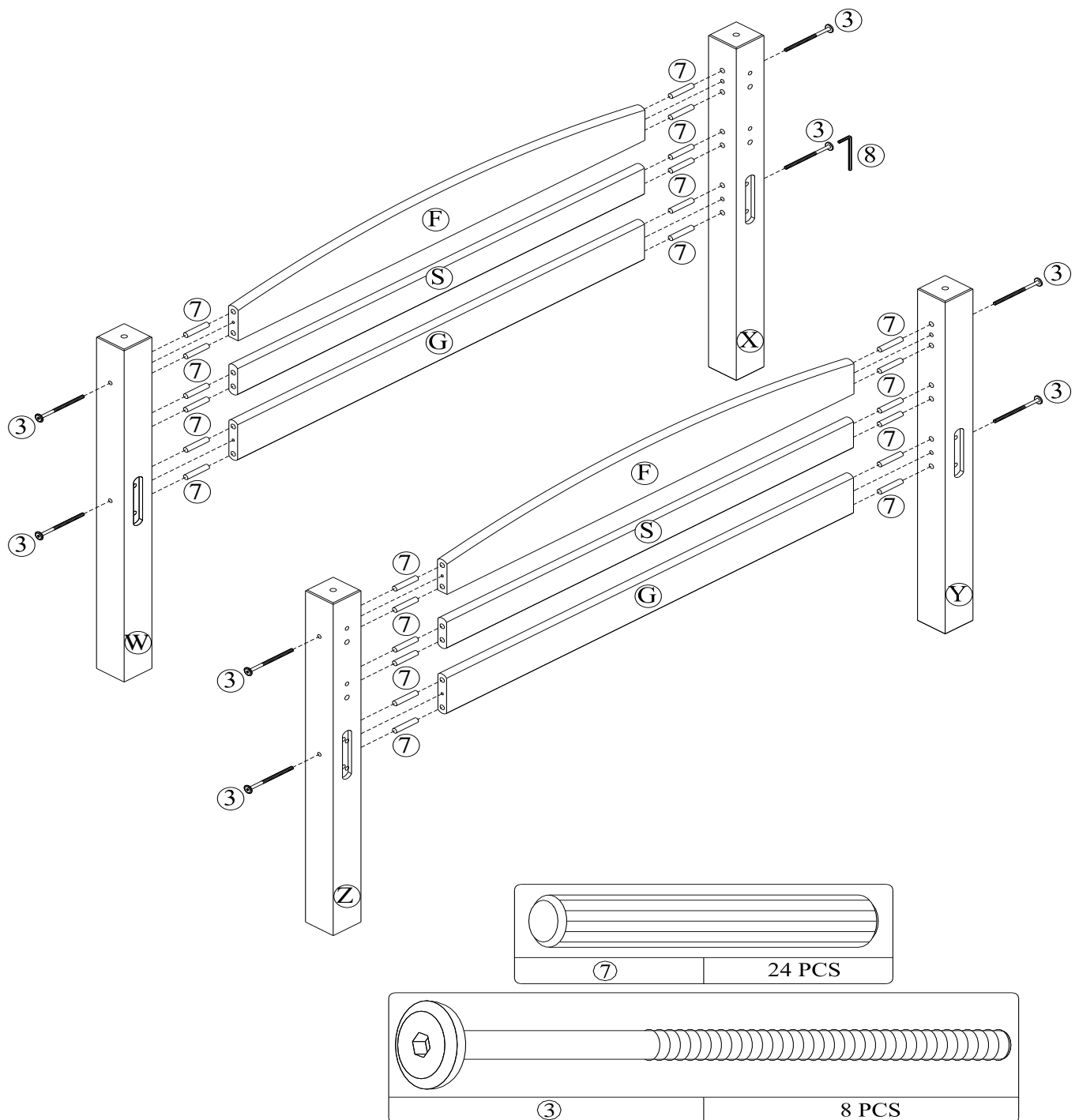
# LITS SUPERPOSÉS À TROIS NIVEAUX



## ÉTAPE 7

Insérez des goujons de bois (7) dans les extrémités des marches (Q). Fixez le côté gauche de l'échelle (O) et le côté droit de l'échelle (P) aux marches (Q) avec des boulons de raccordement pour bois (2). Serrez les boulons de raccordement pour bois (2) à l'aide de la clé Allen (8).

# LITS SUPERPOSÉS À TROIS NIVEAUX



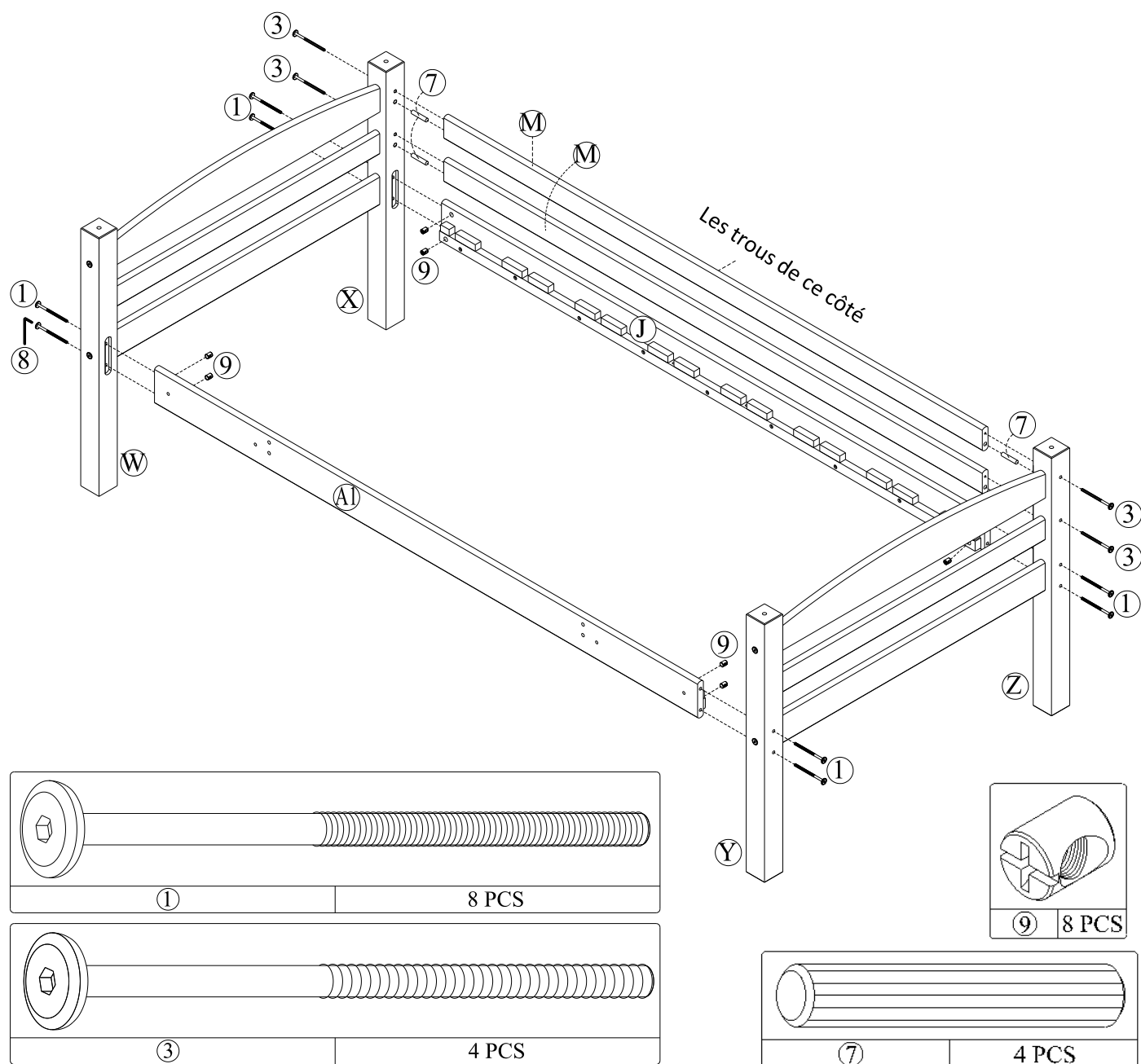
## ÉTAPE 8

Insérez des goujons de bois (7) dans les extrémités de la traverse supérieure de la tête de lit (F), dans la traverse inférieure de la tête de lit (G) et dans la traverse centrale de la tête de lit (S). Fixez les pieds centraux (W et X) avec des boulons de raccordement pour bois (3) à l'aide de la clé Allen (8).

**NOTE :** Peut-être que les traverses de la tête de lit supérieure (F, G et S) devront être rapprochées ou éloignées dans le but de permettre aux goujons de bois (7) de s'aligner avec les trous des pieds supérieurs (W et X).

Répétez l'étape précédente pour assembler l'autre tête de lit avec les pieds centraux (Y et Z).

# LITS SUPERPOSÉS À TROIS NIVEAUX

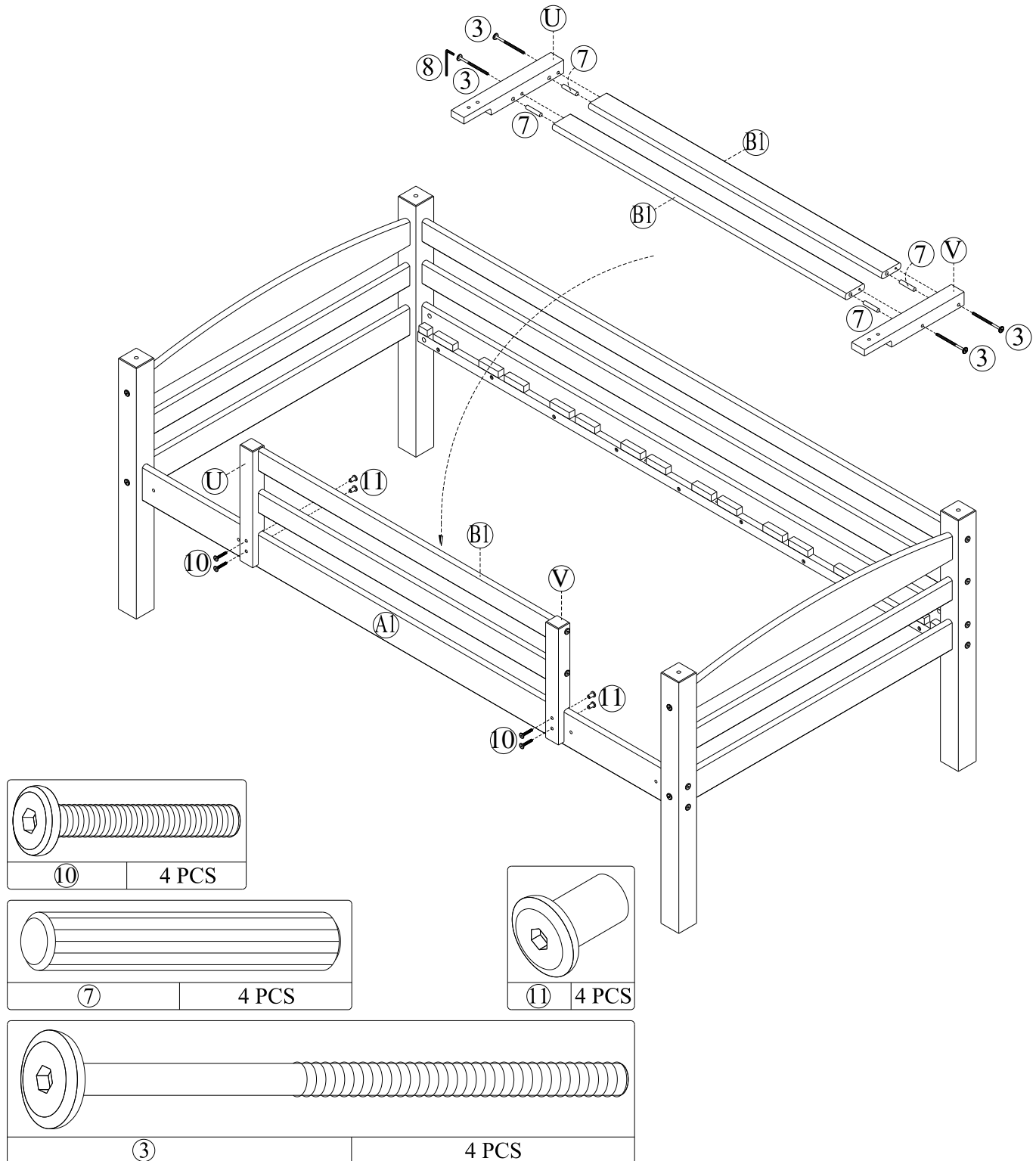


## ÉTAPE 9

Insérez des goujons de bois (7) dans les extrémités des barrières longues (M).  
 Fixez deux barrières longues (M) et les barres latérales (A1 et J) aux pieds centraux (W et X) et (Y et Z) telle qu'illustré.  
 Fixez les barres latérales (A1 et J) avec des boulons de raccordement (1) et des écrous transversaux (9). Fixez les barrières longues (M) avec des boulons de raccordement pour bois (3).  
 Serrez les boulons de raccordement (1) et les boulons de raccordement pour bois (3) à l'aide de la clé Allen (8).

Note : Ceci est le lit du milieu.

# LITS SUPERPOSÉS À TROIS NIVEAUX

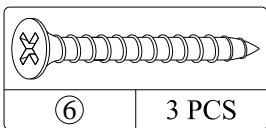
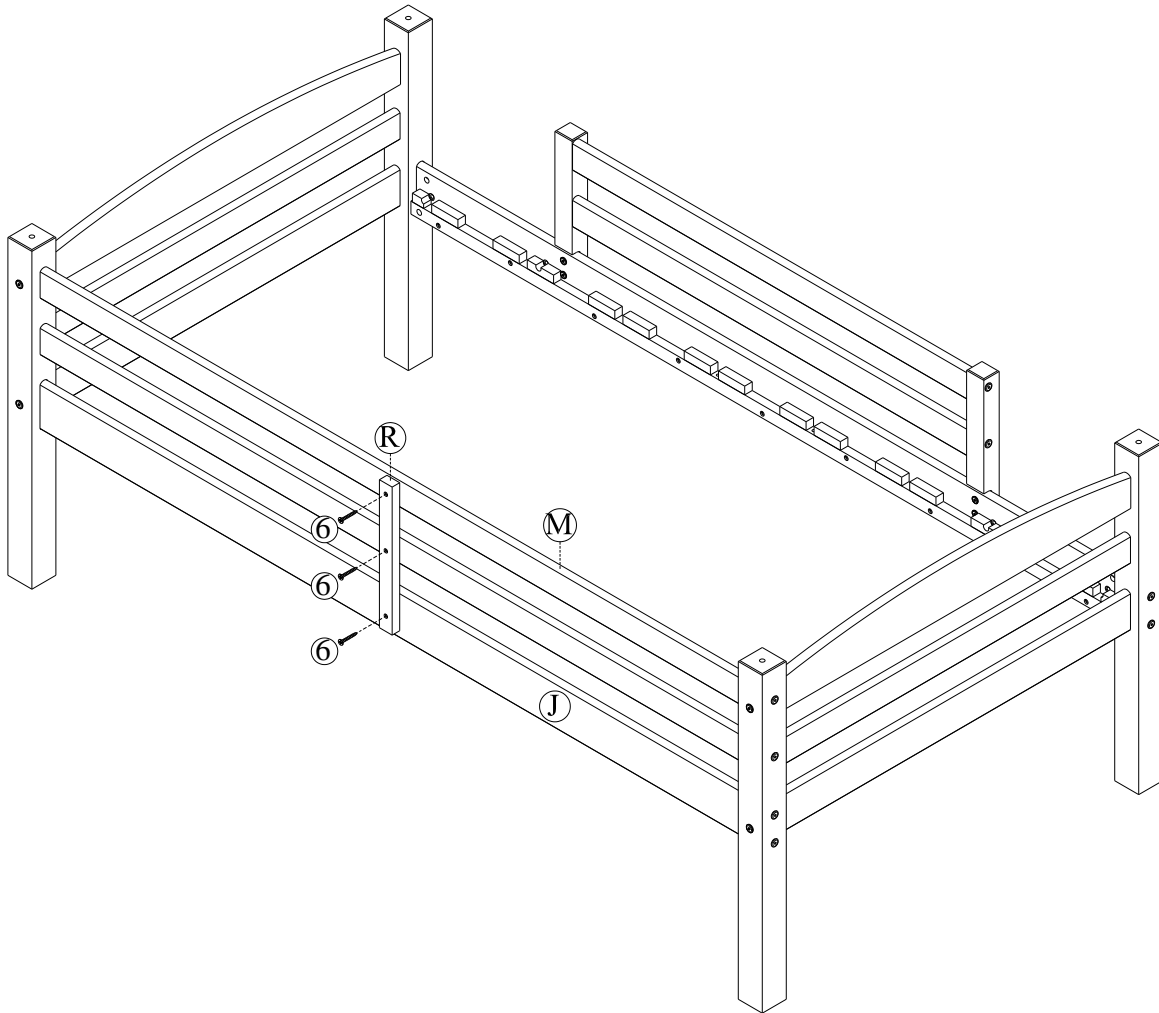


## ÉTAPE 10

Insérez des goujons de bois (7) dans les barrières courtes (B1). Fixez les barrières courtes (B1) au support de barrière (U) et au support de barrière droit (V) avec des boulons de raccordement pour bois (3) tel qu'illustré.

Fixez le support de barrière (U) et le support de barrière droit (V) à la barre latérale centrale avant (A1) avec des boulons de raccordement (10) et des vis à tête hexagonale creuse (11) tel qu'illustré.

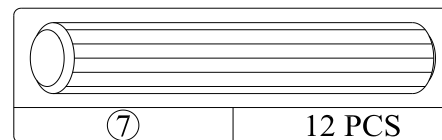
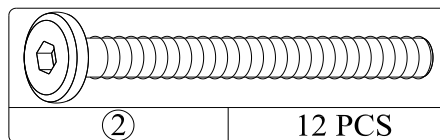
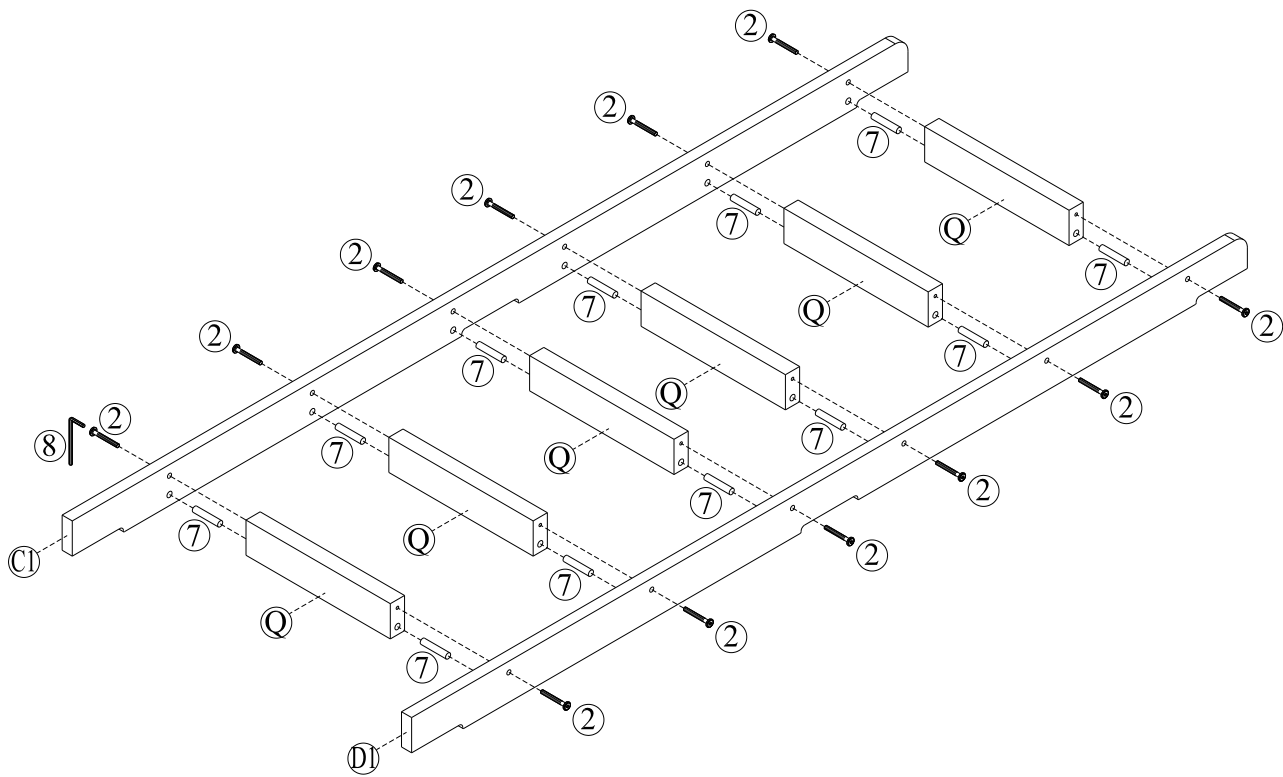
# LITS SUPERPOSÉS À TROIS NIVEAUX



## ÉTAPE 11

Fixez le support de barrière (R) aux barrières longues (M) et à la barre latérale (J) avec des vis à tête plate (6) tel qu'illustré. Servez-vous d'un tournevis cruciforme (non compris) pour serrer les vis à tête plate.

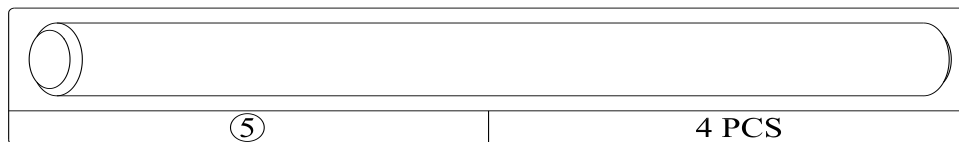
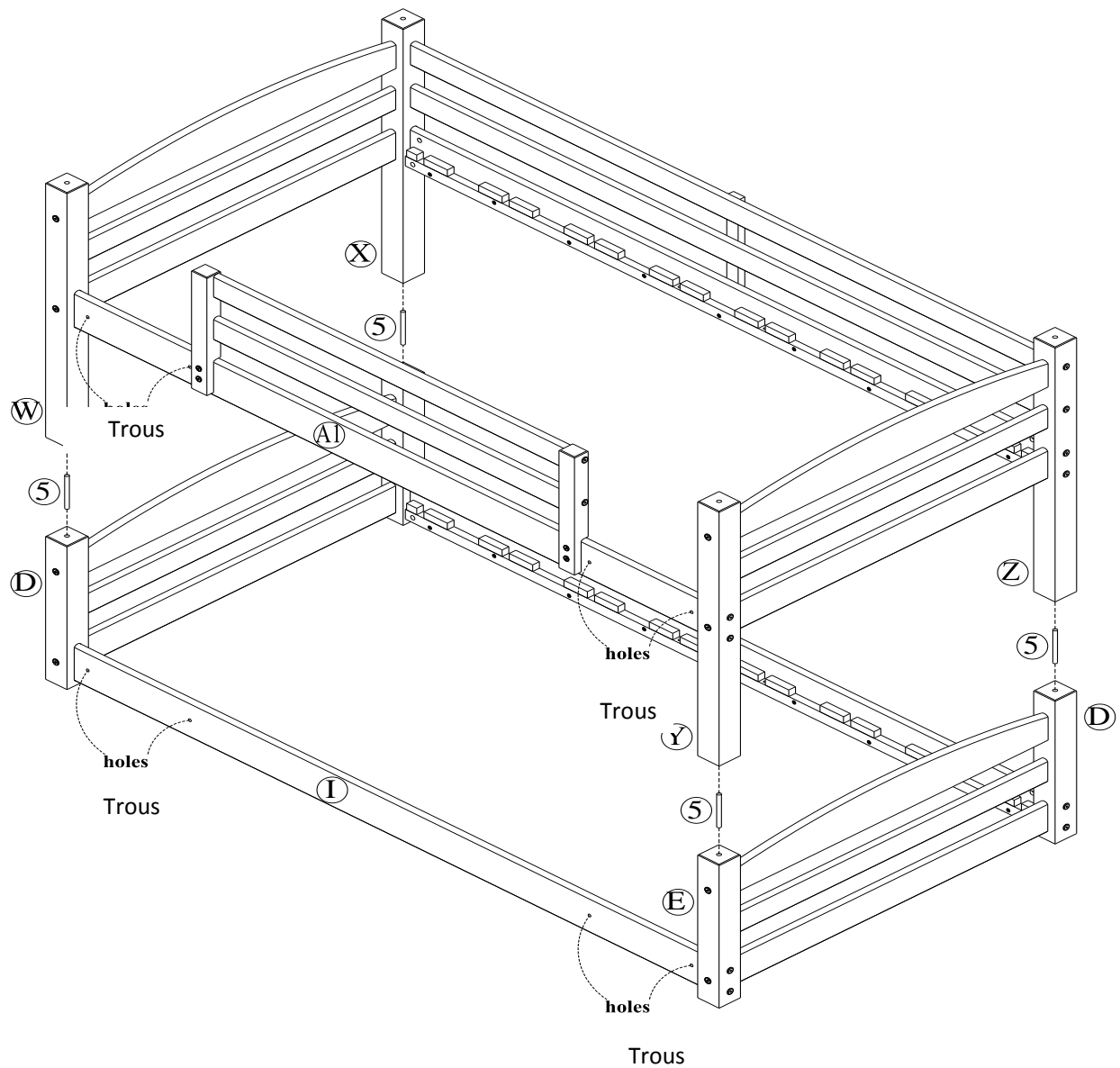
# LITS SUPERPOSÉS À TROIS NIVEAUX



## ÉTAPE 12

Pour assembler l'échelle, insérez des goujons de bois (7) dans les extrémités des marches (Q). Fixez les côtés de l'échelle longue (C1 et D1) aux marches (Q) avec des boulons de raccordement pour bois (2) à l'aide de la clé Allen (8).

# LITS SUPERPOSÉS À TROIS NIVEAUX

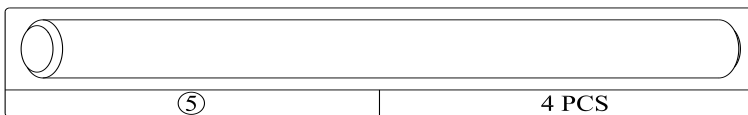
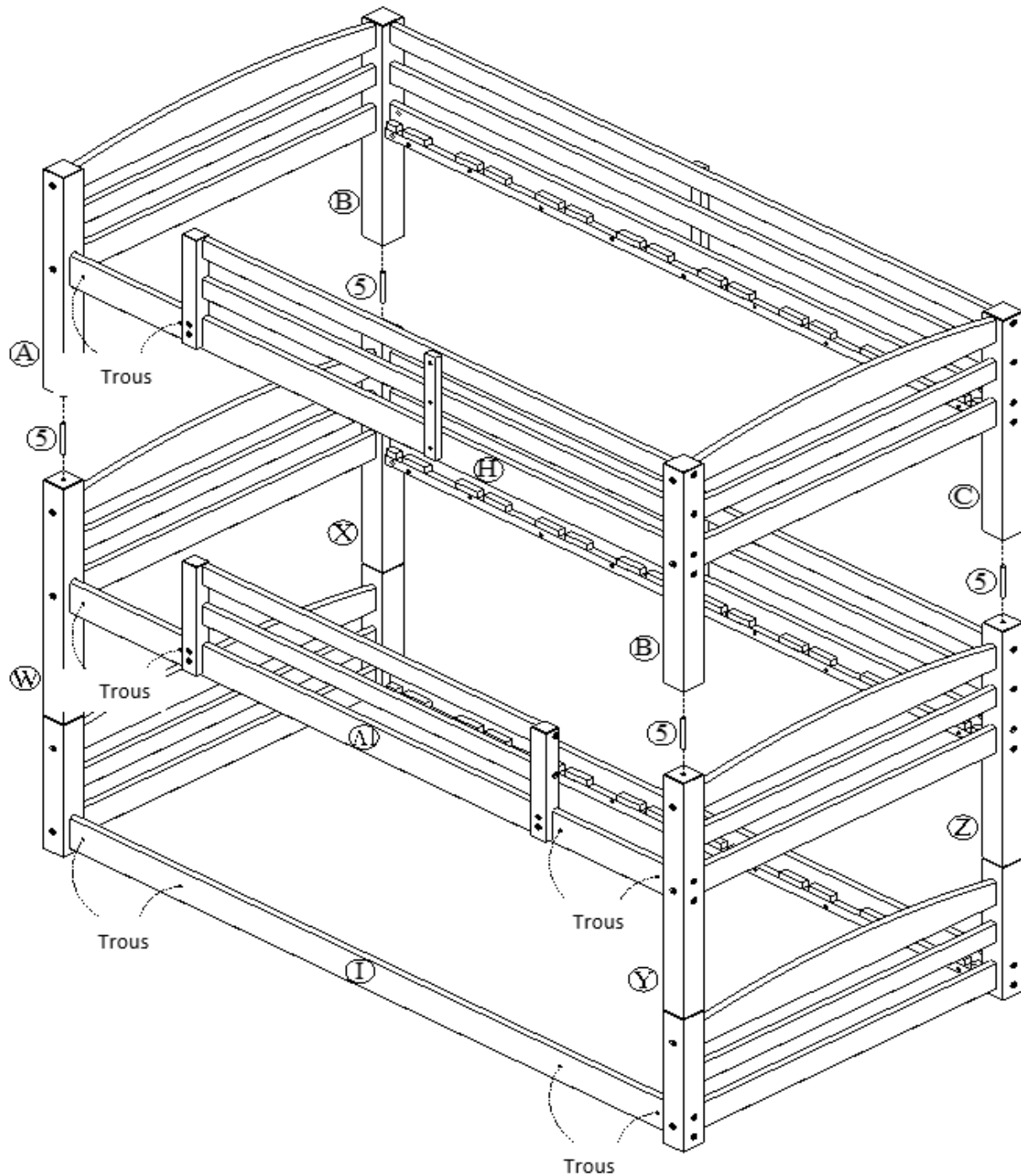


## ÉTAPE 13

Placez quatre goujons de métal (5) dans les trous des pieds inférieurs (D et E). Avec l'aide d'une autre personne, placez le lit du milieu sur le lit inférieur.



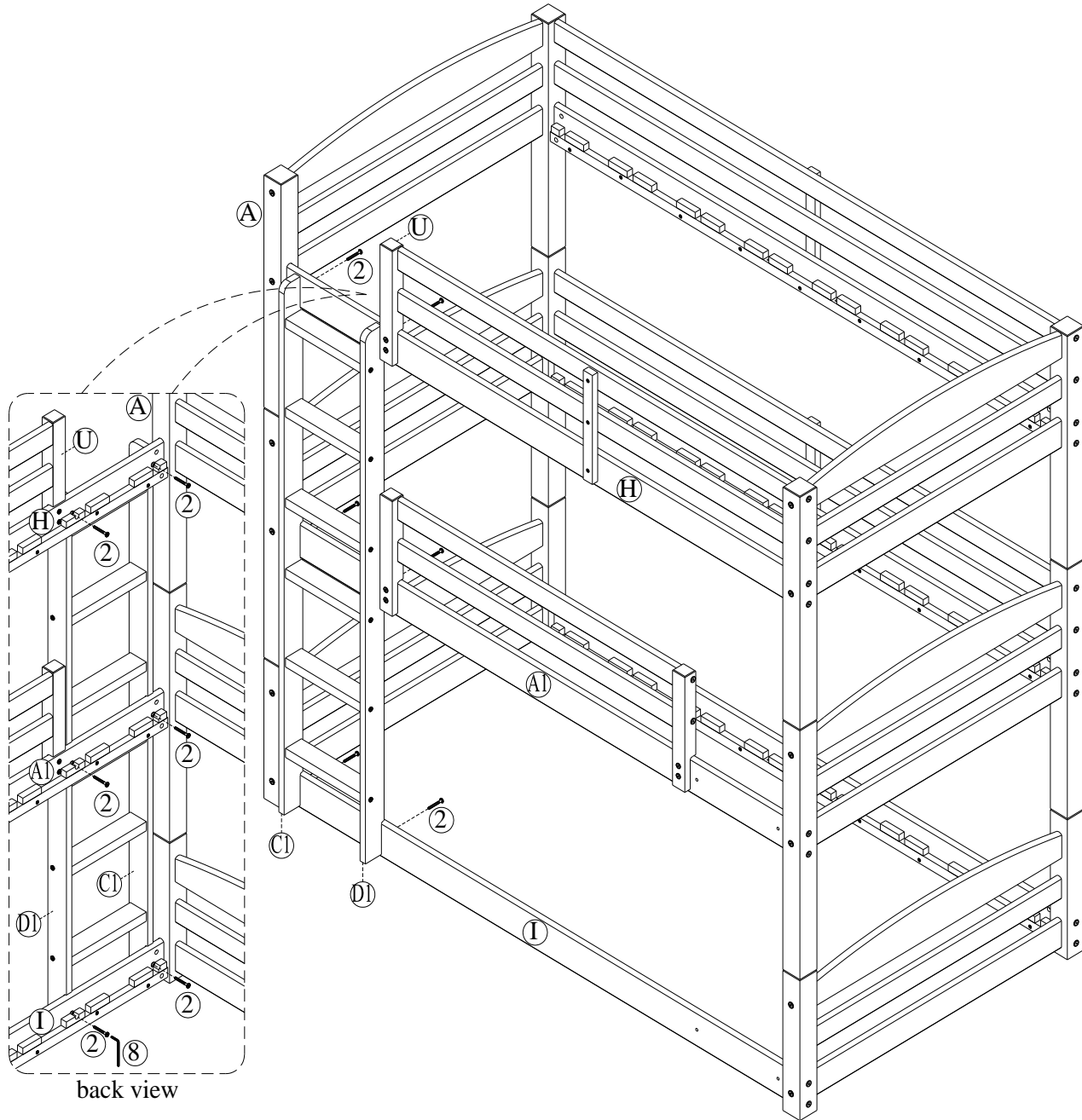
# LITS SUPERPOSÉS À TROIS NIVEAUX



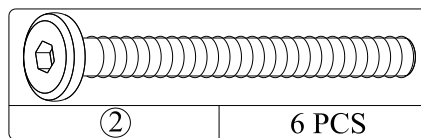
## ÉTAPE 14

Placez quatre goujons de métal (5) dans les trous des pieds centraux (W, X, Y, Z). Avec l'aide d'une autre personne, placez le lit supérieur sur le lit du milieu.

# LITS SUPERPOSÉS À TROIS NIVEAUX



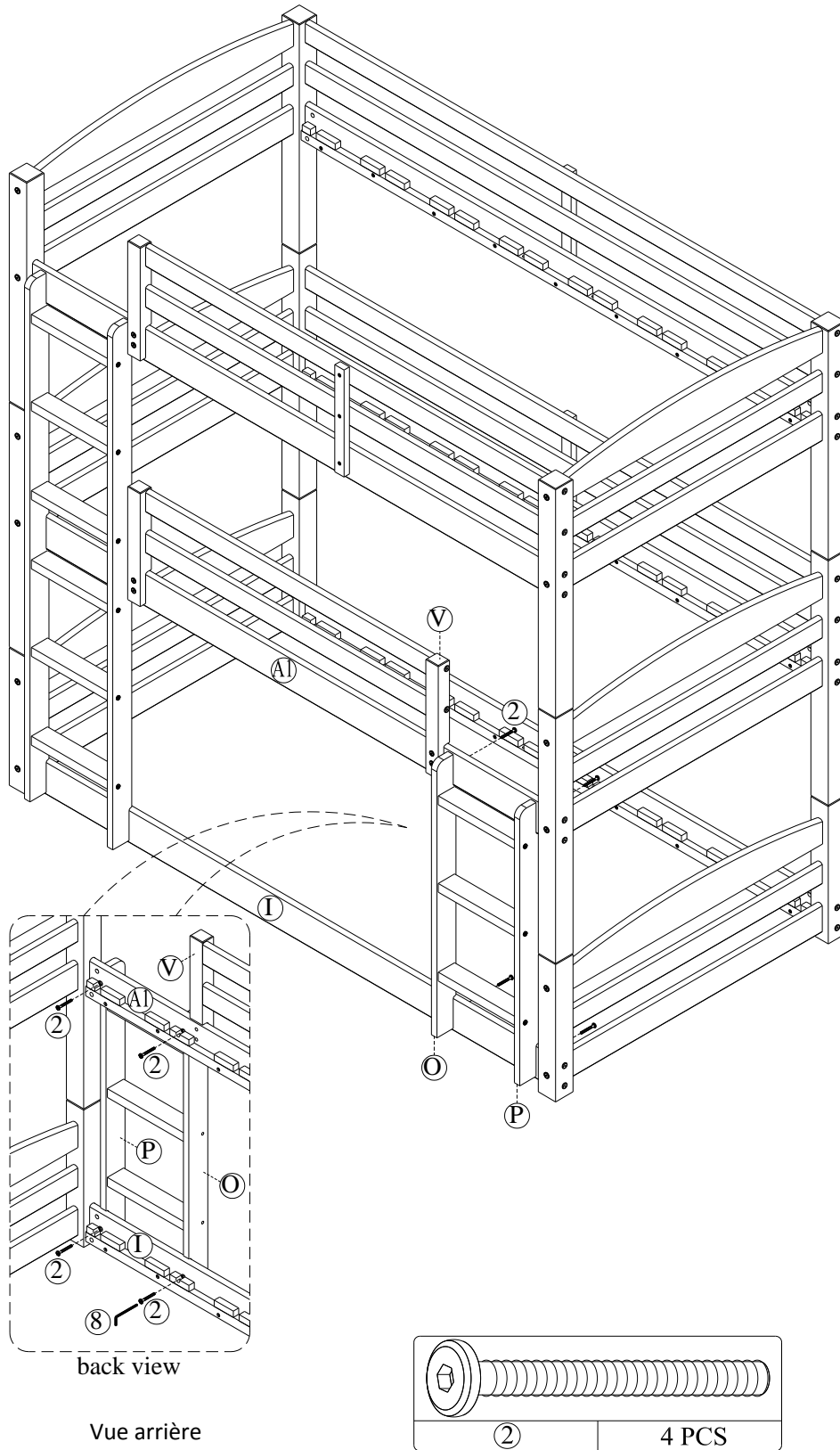
Vue arrière



## ÉTAPE 15

Fixez l'échelle longue aux barres latérales avant (H, A1 et I) avec des boulons de raccordement pour bois (2) tel qu'illustré. Servez-vous de la clé Allen (8) pour serrer les boulons de raccordement.

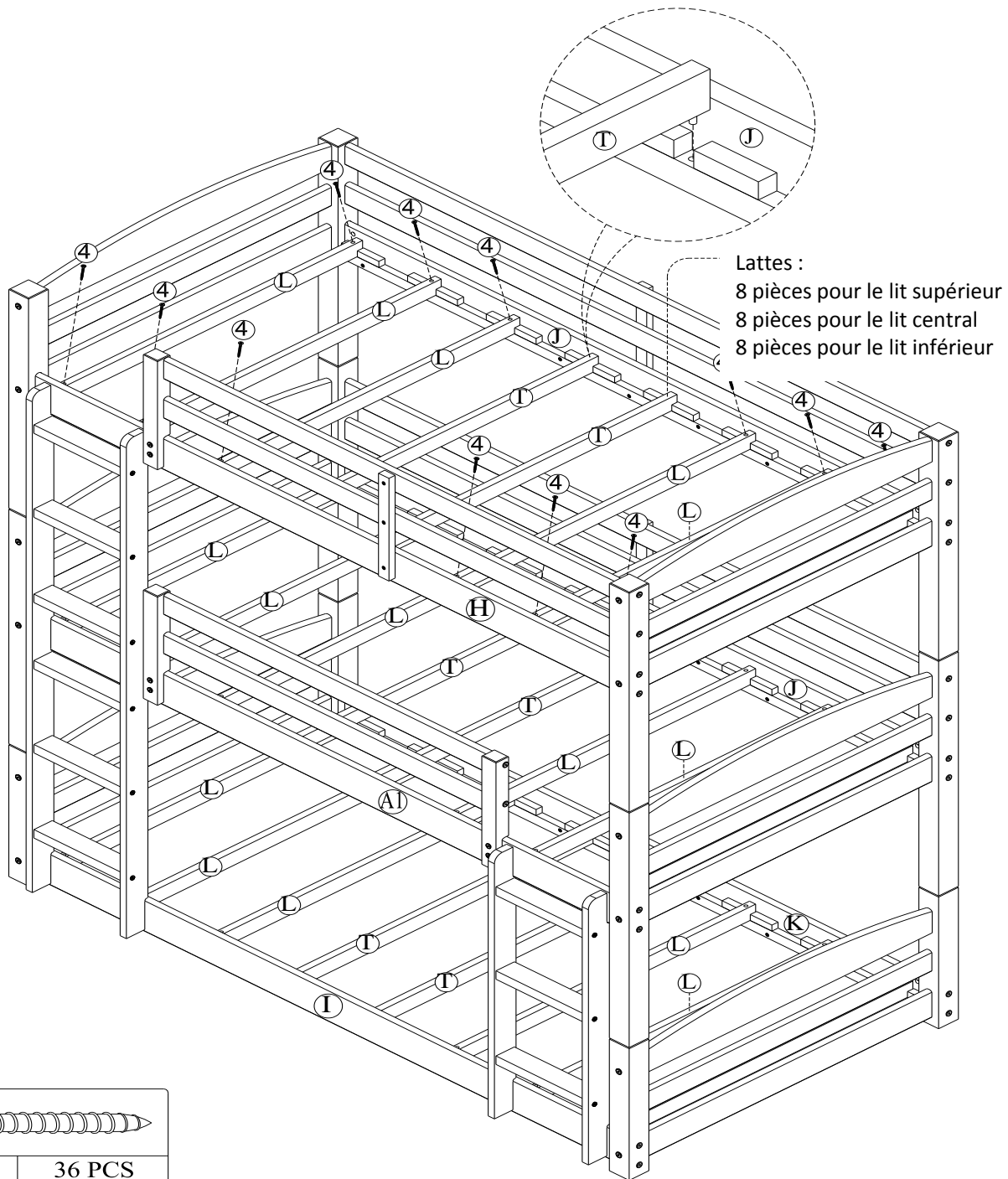
# LITS SUPERPOSÉS À TROIS NIVEAUX



## ÉTAPE 16

Fixez l'échelle courte aux barres latérales (A1 et I) avec des boulons de raccordement pour bois (2) tel qu'illustré. Servez-vous de la clé Allen (8) pour serrer les boulons de raccordement.

# LITS SUPERPOSÉS À TROIS NIVEAUX



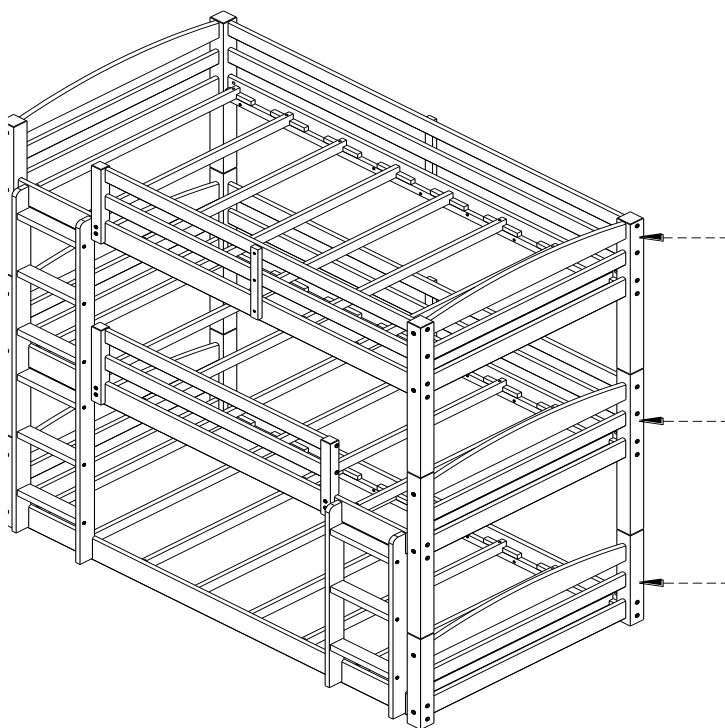
## ÉTAPE 17

Insérez deux lattes avec goujons de bois (T) dans les rainures situées au centre des barres latérales supérieures (H et J) du lit supérieur tel qu'illustré.

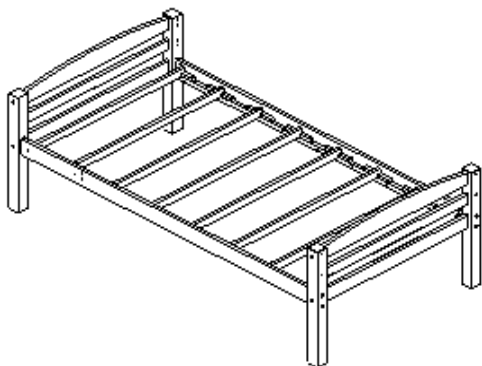
Fixez les lattes sans goujons de bois (L) aux barres latérales supérieures (H et J) du lit supérieur avec des vis à tête plate (4) tel qu'illustré. Servez-vous d'un tournevis cruciforme (non compris) pour serrer les vis à tête plate (4).

Répétez cette procédure pour le lit du milieu et le lit inférieur.

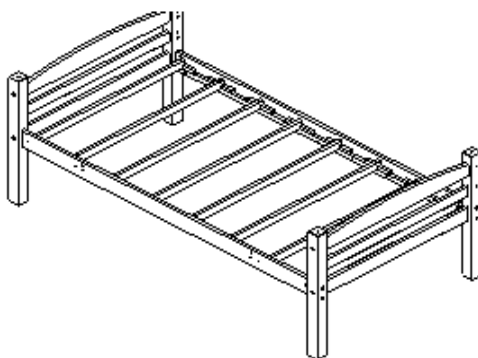
# LITS SUPERPOSÉS À TROIS NIVEAUX



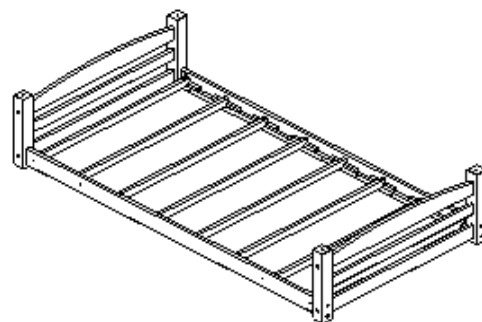
Le premier lit simple



Le deuxième lit simple



Le troisième lit simple



Pour convertir les lits superposés en trois lits simples, retirez les deux échelles et toutes les barrières. Avec l'aide d'une autre personne, séparez le lit supérieur et le lit du milieu du lit inférieur.

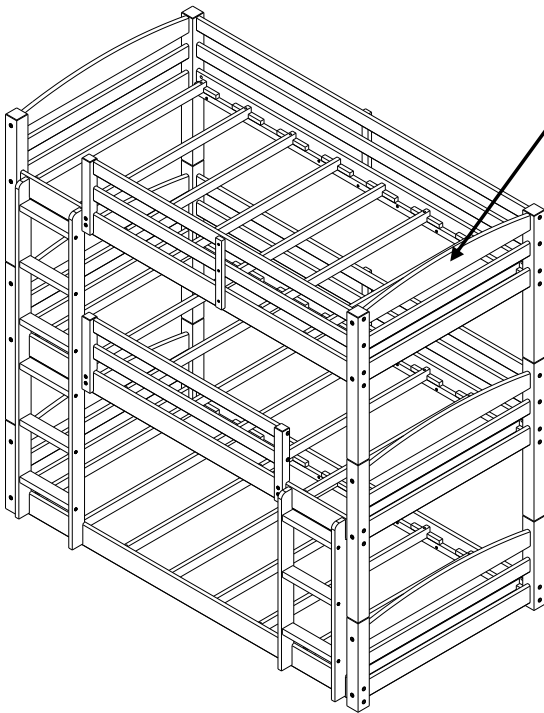
# LITS SUPERPOSÉS À TROIS NIVEAUX



**ATTENTION:** Cette unité est destinée à être utilisée seulement avec des produits et/ou les poids maximum indiqués. L'utilisation avec d'autres produits et/ou des produits plus lourds que les poids maximum indiqués peut entraîner une instabilité ou causer des blessures.

**NE PAS PERMETTRE DE SE CHAMAILLER SUR OU SOUS LE LIT ET NE PAS SAUTER SUR LE LIT.**

**NE PAS PERMETTRE À DES ENFANTS ÂGÉS DE MOINS DE 6 ANS D'UTILISER LE LIT SUPÉRIEUR. LE LIT EST CONÇU POUR DES ENFANTS DONT L'ÂGE SE SITUE À PARTIR DE 6 ANS JUSQU'À JEUNES ADOS.**



**CAPACITÉ DE POIDS MAXIMUM: 165 LB (75 KG) PAR NIVEAU.**

**UTILISEZ SEULEMENT DES MATELAS À RESSORTS SUR LES LITS SUPÉRIEUR ET INFÉRIEUR. À DÉFAUT DE QUOI, DES BLESSURES PEUVENT SE PRODUIRE.**

**UTILISEZ SEULEMENT DES MATELAS DE 188-190 CM (74"-75") DE LONG ET 95-98 CM (37 1/2" - 38 1/2") DE LARGE SUR LE LIT SUPÉRIEUR ET LE LIT INFÉRIEUR. ASSUREZ-VOUS QUE L'ÉPAISSEUR DU MATELAS N'EXCÈDE PAS 15 CM (6").**

C'est tout! Vous avez terminé le montage de votre lit superposés.

**NE PAS RETOURNER CE PRODUIT AU DÉTAILLANT.** Si une pièce est manquante ou endommagée, contactez notre Service à la clientèle. Nous remplacerons la pièce **GRATUITEMENT**.



**TÉL. # : 1-800-295-1980**  
**Courriel : [das@dorel.com](mailto:das@dorel.com)**  
**Télécopieur # : 514-353-7819**