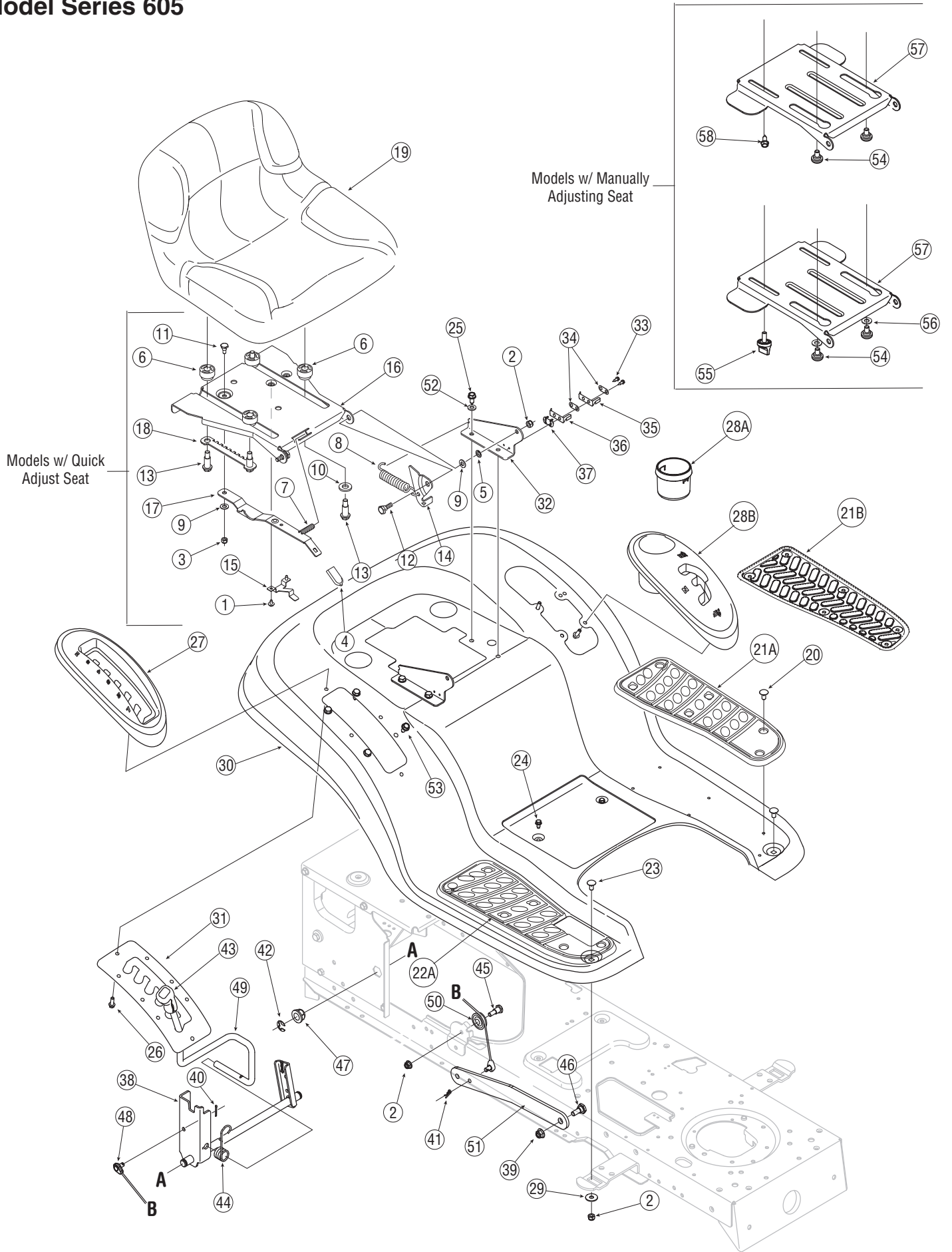


# Model Series 605



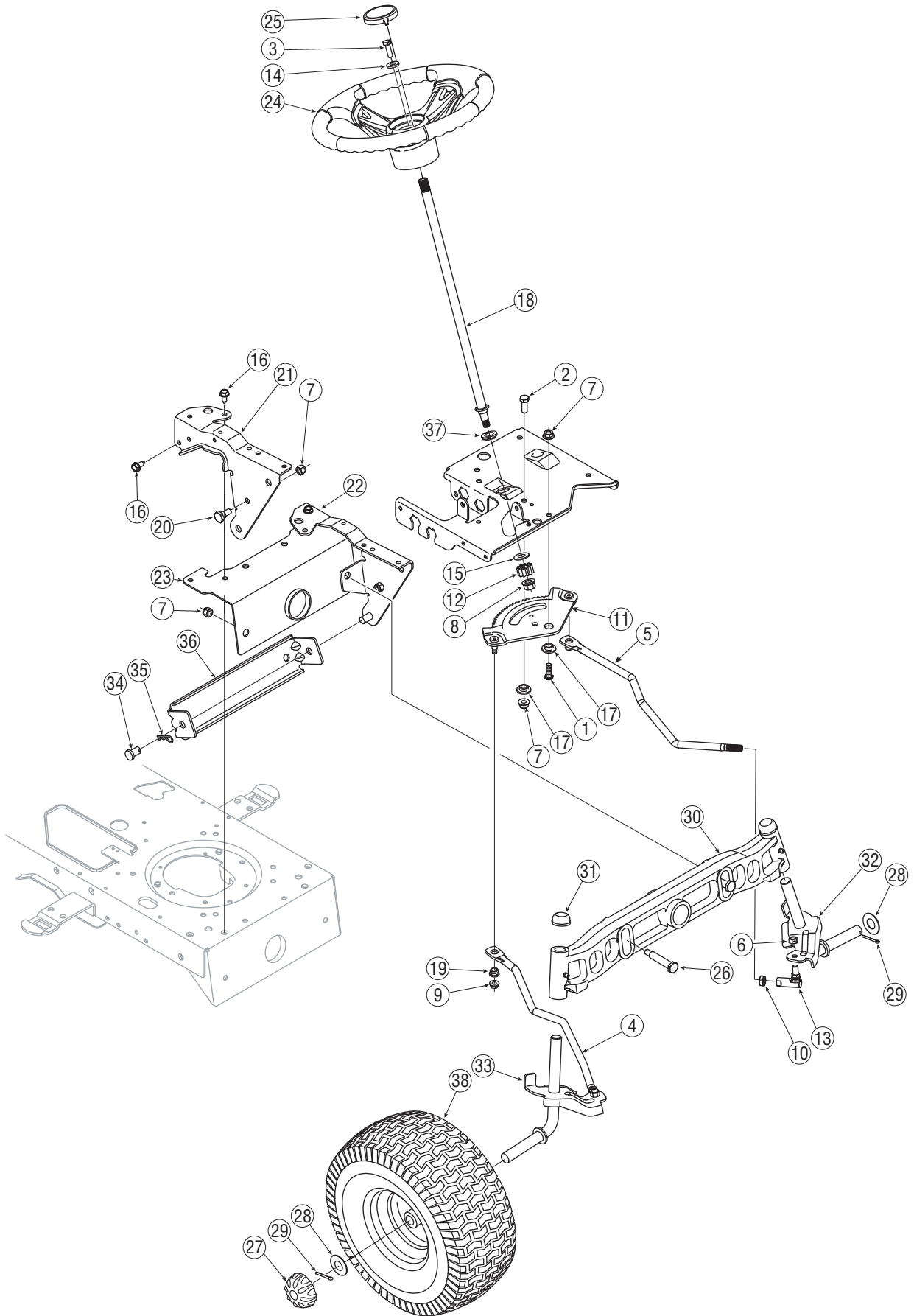
Ref. No.	Part No.	Description
1	710-1268†	Screw, #10-16 x.375
2	712-04063	Nut, Flange Lock, 5/16-18, GrF
3	712-04064†	Nut, Flange Lock, 1/4-20
4	720-0309A†	Seat Adjuster Grip
5	726-0201†	Nut, Speed,.3125 ID
6	731-04074†	Spacer
7	732-0499†	Compression Spring,.41 x 1.5
8	732-1184	Spring, Extension,.84 Dia. x 4.6
9	736-0275†	Wash, Flat,.344 x.688 x.065
10	736-3019†	Wash, Flat,.531x 1.062 x.134
11	738-0137A†	Screw, Shld, .340 x.285, 1/4-20
12	738-0296	Screw, Shoulder,.437 x.268
13	738-0966A†	Screw, Should,.50 x.925, 3/8-16
14	783-0209D	Seat Bracket, Lift
15	783-0611†	Seat Stop
16	783-0738C†	Seat Pivot Bracket
17	783-0739A†	Seat Adjustment Lever
18	783-0753†	Seat Adjustment Selector
19	757-04037	Medium Back Seat
20	726-3046	Ratchet Clip
21a	735-0657	LH Foot Pad, Rubber
21b	735-0673	LH Foot Pad, Rubber
22a	735-0656	RH Foot Pad,Rubber
22b	735-0672	RH Foot Pad,Rubber(not shown)
23	710-0451	Bolt, Carriage, 5/16-18,.75, Gr1
24	710-0599	Screw, 1/4-20, 0.500
25	710-0604A	Screw, 5/16-18, 0.625
26	710-0895†	Screw, 1/4-15, 0.750
27	731-1990†	Cover, Lift Lever
28a	731-04591A	Cup Holder
28b	731-2104C	Cover, w/ Cup Holder
29	736-3078	Washer, Flat,.344 x 1.0 x.063
30	783-04314A	Fender (Model X605H)
	783-04333A	Fender

Ref. No.	Part No.	Description
31	783-1010A	Adjust. Brkt, Lift (Model X605H)
	783-0677	Adjust. Brkt., Lift
32	783-1489A	Mounting Bracket, Seat
33	710-0227	Screw, #8-18 x.50
34	726-0279	Plate, Insulator
35	725-1303	Spring Switch, Outer
36	725-1439	Spring Switch, Inner
37	726-0278	Plate, Insulator Boss
38	683-04079	Shaft Assembly, Lift
39	712-04065	Nut, Flange Lock, 3/8-16, GrF
40	714-0104	Pin, Cotter,.072 Dia. x 1.13
41	714-0111	Pin, Cotter, 3/32, 1.0
42	716-0106A	Ring, E Type,.625 Dia.
43	720-0311	Grip, Handle, 1/2
44	732-0874	Spring, Torsion
45	738-0138A	Screw, 5/16-18 x.620 Gr2
46	738-04130	Scr.,Shldr, .625 x.165,(42" Deck)
	738-0380	Screw, Shld,.50 x.27, (46" Deck)
47	741-0225	Bearing, Hex Flange
48	746-0968	Cable, Lift, 16.16
49	747-04155	Handle, Lift
50	756-1154	Pulley, Roller
51	783-04711	Arm, Lift - LH (42" Deck)
	783-04494	Arm, Lift - RH (42" Deck)
	783-04963	Arm, Lift- LH & RH (46" Deck)
52	736-0607	Lock Washer, 5/16
53	710-1611B	Scr5/16-18 x.750 (Model X605H)
	710-0726	Screw, 5/16-12
54	738-04012A†	Shoulder Screw
55	720-04061†	Knob, 3/8-16
56	736-0300†	Flat Washer, .406 x .875 x .059
57	783-04081A†	Seat Pivot Bracket, Manual Adj.
58	710-0870†	Hex Head Washer Screw, 3/8-16

† If Equipped

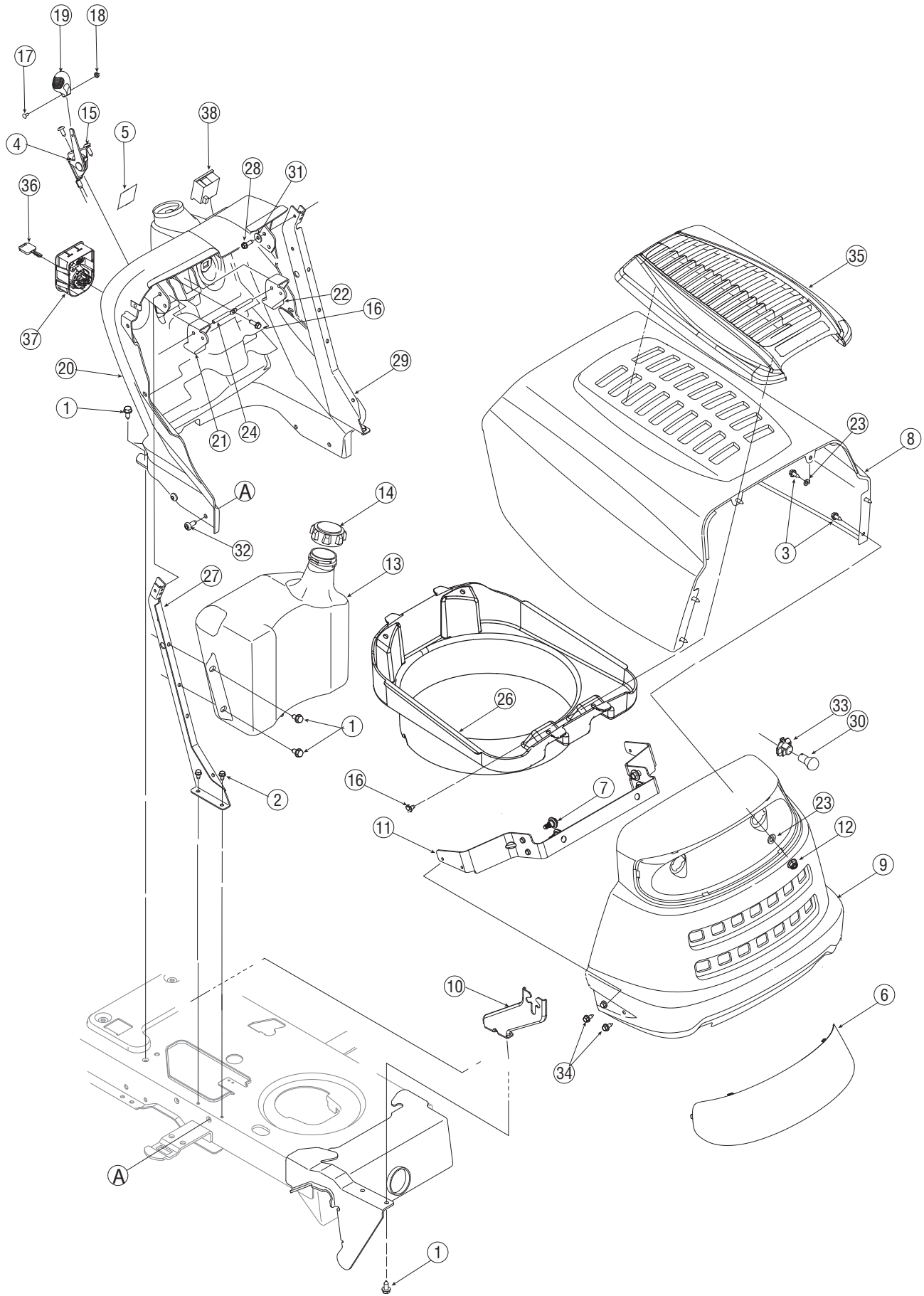
**NOTE:** Tractor features vary by model. NOT all parts listed above and pictured on the previous page are standard equipment.

# Model Series 605



Ref. No.	Part No.	Description
1	710-04095	Hex Screw, 3/8-16, 1.00, Gr5
2	710-0514	Hex Screw, 3/8-16, 1.00, Gr5
3	710-0643	Hex Screw, 5/16-18, 1.00, Gr5
4	711-1408	Link, Drag, RH
5	711-1409A	Link, Drag, LH
6	712-0214	Nut, Hex Lock, 3/8-24
7	712-04065	Nut, Flange Lock, 3/8-16, Grf
8	712-0459	Nut, Flange Lock, 7/16-20
9	712-3004A	Nut, Flange Lock, 5/16-18, Gr5
10	712-0240	Nut, Jam, 7/16-20, Gr2
11	717-1550E	Gear, Steering, 11/90 Ratio
12	717-1554	Gear, Pinion, Steering
13	723-0448A	Ball Joint, 7/16-20, Lock
14	736-3004	Washer, Flat, .406 x .875 x .105
15	736-3084	Washer, Flat, .51 x 1.12 x .06
16	710-1260A	Screw, 5/16-18, 0.750
17	738-04154	Spacer, Shoulder, .38 x 1.00 x .31
18	738-1001A	Shaft, Steering, .625 OD x 24.25
19	741-0475	Plastic Bushing .380 ID
20	738-0143	Screw, Shoulder, .498 x .340
21	783-0726E	Pivot Bracket, Support RH
22	783-0727D	Pivot Bracket, Support LH
23	783-0728	Pivot Bracket, Bar
24	631-04028	Steering Wheel
25	731-04039	Steering Wheel Cap
26	738-1011A	Shoulder Screw, .5 x 2.2, 3/8-16
27	731-2290A	Deluxe Hub Cap
28	736-0316	Flat Washer, .78 x 1.589 x .06
29	714-04039	Cotter Pin, 5/32 x 1.25
30	719-04105	Cast Iron Pivot Bar
31	726-0341	Push Cap
32	638-04003	LH Axle Assembly, .750
33	638-04004	RH Axle Assembly, .750
34	711-0332	Pin, Clevis, .50 x .78
35	714-04023	Cotter Pin, Internal, .080 x 1.5625
36	783-0720A	Adjustment Bracket, Front
37	741-0656A	Hex Flange Bearing
38	634-04086	Wheel Assembly Complete, 15 x 6
	734-1731	Tire Only 15 x 6 x 6
	634-04081	Rim Only w/ Valve Stem

# Model Series 605

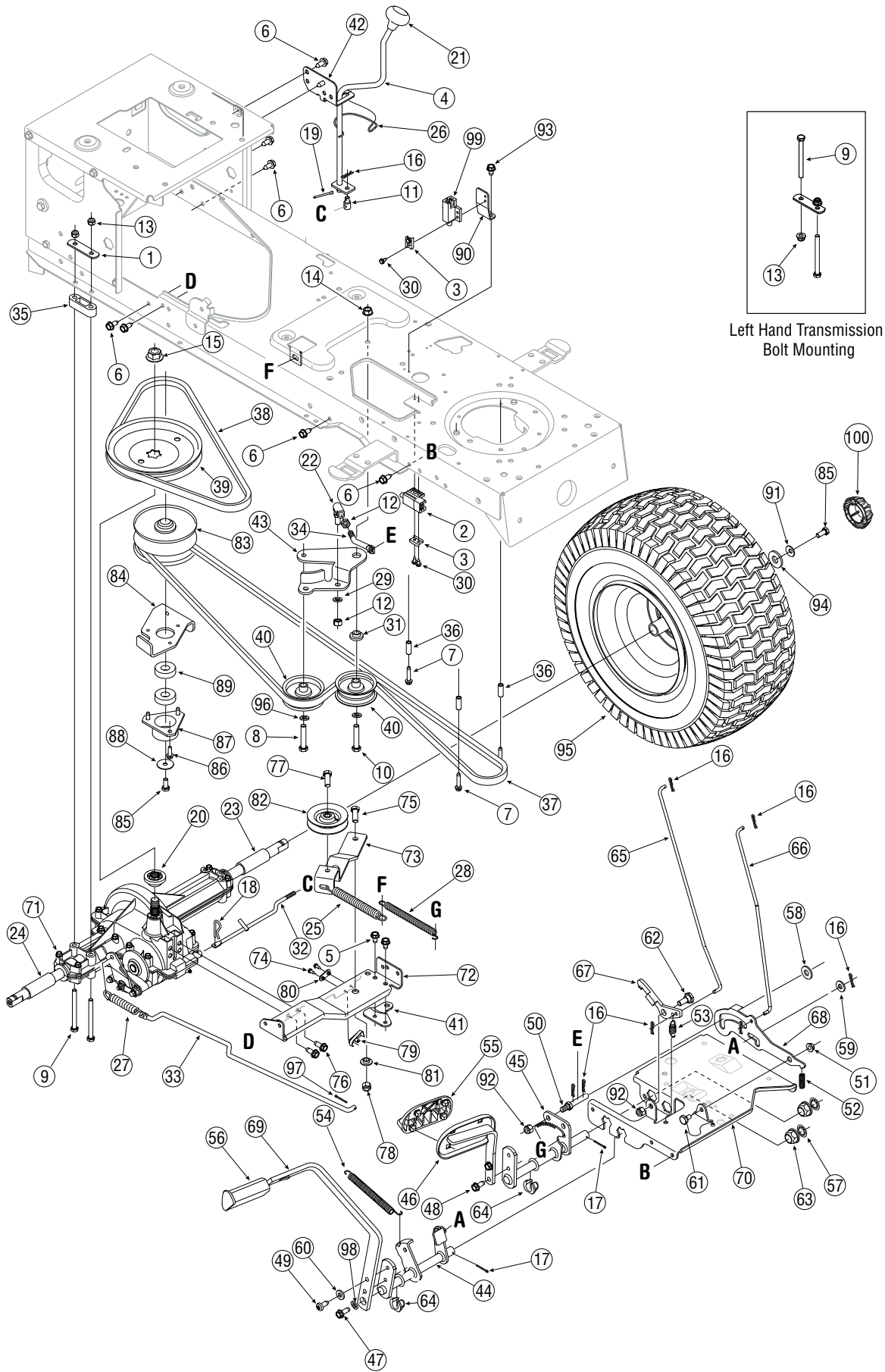


Ref. No.	Part No.	Description	Ref. No.	Part No.	Description
1	710-0726	Screw, 5/16-12 x.750	22	731-04217	Parking Brake Button
2	710-0599	Self-tapping Screw, 1/4-20 x.5	23	736-0176	Flat Washer, .265 x .938 x 1.20
3	710-0751	Hex Cap Screw, 1/4-20 x.62	24	747-1196	Brake/Cruise Pivot Rod
4	746-1084	Throttle Control/Cable	25	629-04083*	Headlight Wire Harness
5	731-1999	Choke Plug	26	731-05165A	Hood Plenum
6	731-04949	Headlight Lens	27	783-04908	RH Dash Support Plate
7	738-04091	Shoulder Screw,.43 x.29	28	710-0642	Self-tapping Screw, 1/4-20 x.75
8	783-04551	Hood, 1 Style	29	783-04909	LH Dash Support Plate
9	783-04552	Grill, 1 Style	30	725-0963	Lamp
10	783-04578	Pivot Bracket - RH	31	736-0270	Bell Washer,.265 x.75 x.062
	783-04577	Pivot Bracket - LH	32	710-1611B	Screw, 5/16-18 x.75
11	783-04621	Grill Pivot Bracket	33	725-1649	Headlight Socket
12	712-04064	Flange Lock Nut, 1/4-20	34	710-1652	Hex Index Screw, 1/4-20 x.625
13	751-0659C	Fuel Tank, Two Gallon	35	731-05522	Hood Cover, 5 Style
14	751-0603	Fuel Cap	36	725-1745	Ignition Key w/ plastic cover
15	710-1017	Screw, 1/4-14 x.625		725-1744	Ignition Key w/o plastic cover
16	710-0895	Self-tapping Screw, 1/4-15 x.75	37	725-04227	Ignition Switch
17	710-3217	Truss Phillips Screw, #8-32 x.375	38	725-04036B†	Systems Ind. Monitor w/ Hr. Meter
18	712-0142	Hex Nut, #8-32		725-04156	Systems Ind. Monitor w/ Ammeter
19	731-1857	Throttle Control Knob	—	725-04339†*	Wire Harness (w/Hour Meter)
20	731-05001A	Dash Panel	—	725-04334*	Wire Harness (w/Ammeter)
21	731-04215	Cruise Control Button			

† If Equipped

\* Not Shown

# Model Series 605



Ref. No.	Part No.	Description
1	17840	Mounting Bracket, Transaxle
2	725-04039	Switch, Interlock
3	17962	Plate, Switch
4	647-04020	Lever Assembly, Shift
5	710-0607	Screw, 5/16-18, 0.500
6	710-0726	Screw, 5/16-12, 0.750
7	710-0809	Screw, 1/4-20, 1.250
8	710-1007	Screw, Sems, 3/8-16, 1.500
9	710-1266	Screw, 5/16-18, 3.50, Gr5
10	710-3144	Screw, 3/8-16, 2.00, Gr5
11	711-0736	Adjustment Ferrule 1/4-20 x 1.
12	712-0241	Nut, Hex, 3/8-24, Gr5
13	712-04063	Nut, Flange Lock, 5/16-18, GrF
14	712-0431	Nut, Flange Lock, 3/8-16, GrF
15	712-0700	Nut, Flange, 9/16-18, Gr2
16	714-0104	Pin, Cotter,.072 Dia. x 1.13
17	714-0111	Pin, Cotter, 3/32, 1.0
18	714-0209	Cotter Pin, Internal,.125 Dia.
19	714-0470	Pin, Cotter, 1/8 x 1.25
20	718-0758A	Pulley Hub, 5/8 Spline
21	720-04028	Knob, Shift
22	723-3018	Ball Joint
23	731-04602	Sleeve,.758 x.821 x 3.3125
24	731-04604	Sleeve,.758 x.821 x 2.4375
25	732-0384	Spring, Extension,.62 Dia x 6.12
26	732-0525	Spring Clip, Shifter
27	732-0716	Spring, Extension,.59 OD x 4.00
28	732-0963	Spring, Extension,.50 Dia x 6.37
29	736-0169	Washer, Lock, 3/8
30	710-0224	Screw, #10-16,.50
31	738-0372B	Spacer, Shoulder, 1.00 x.38 x.38
32	747-04146A	Rod, Shift
33	747-04164	Rod, Brake
34	747-1127	Idler Rod, Adjustable, 3/8
35	748-0334	Spacer,.68
36	750-0566A	Spacer,.260 x.372 x 1.030
37	754-0467	Belt, V-Type
38	754-0468	Belt, V-Type
39	756-04002	Pulley, V-Type, 7.25 Dia.
40	756-04224	Idler Pulley, Flat 2.75 OD
41	783-04283	Bracket, Shift

Ref. No.	Part No.	Description
42	783-04360	Bracket, Shift, F-N-R
43	783-04442	Idler Bracket, Center Double
44	647-0031B	Control Assembly, Brake
45	647-0032A	Control Assembly, Speed
46	683-0266	Pedal Assembly
47	710-0650	Screw, 5/16-18, 0.875
48	710-1260A	Screw,5/16-18, 0.750
49	710-1611B	Screw, 5/16-18, 0.750
50	711-04159B	Pin, 3/8-16 x 2.68
51	712-3004A	Nut, Flange Lock, 5/16-18, Gr5
52	732-0335	Spring, Compression,.405 x 1.17
53	732-0955	Spring, Extension,.50 OD x 1.41
54	732-0963	Spring, Extension,.50 OD x 6.37
55	735-0662	Pad
56	735-3049	Pad, Brake
57	736-0187	Washer, Flat,.64 x 1.24 x.06, Ht
58	736-0262	Washer, Flat,.385 x.870 x.092
59	736-0300	Washer, Flat,.406 x.875 x.059
60	736-3008	Washer, Flat,.344 x.750 x.120
61	738-0155	Screw, Shoulder.437 Dia x.162
62	738-0380	Screw, Shoulder,.50 x.27 Lg,
63	741-0225	Bearing, Hex Flange
64	741-3065B	Split Bearing, Hex Flange
65	747-04093	Rod, Brake Lock
66	747-04096	Rod, Cruise Control
67	748-04039B	Latch, Cruise Control
68	783-0732A	Bracket, Lockout
69	783-0773A	Ped, Brake
70	783-04612	Bracket, Steering Support
71	618-04034	Transmission, Single Speed
72	683-04055A	Bracket Assembly, Torque
73	683-04130	Bracket, Idler
74	710-0227	Screw, #8-18 x.50
75	710-0514	Screw, 3/8-16, 1.00
76	710-0604A	Screw, 5/16-18,.625
77	710-1315	Screw, 3/8-16, 1.250
78	712-0130	Nut, Lock, 3/8-16, Nylon
79	725-1644	Switch Spring, Short
80	726-0320	Plate, Insulator
81	750-04294	Spacer, Shoulder
82	756-04209	Pulley, V-Type, 3.06

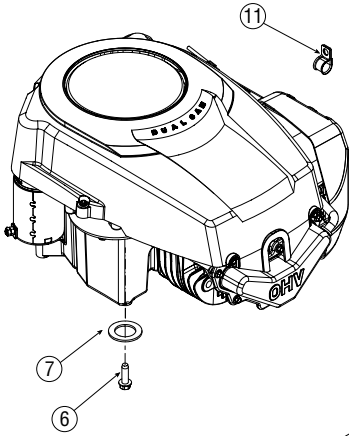
Continued on next page



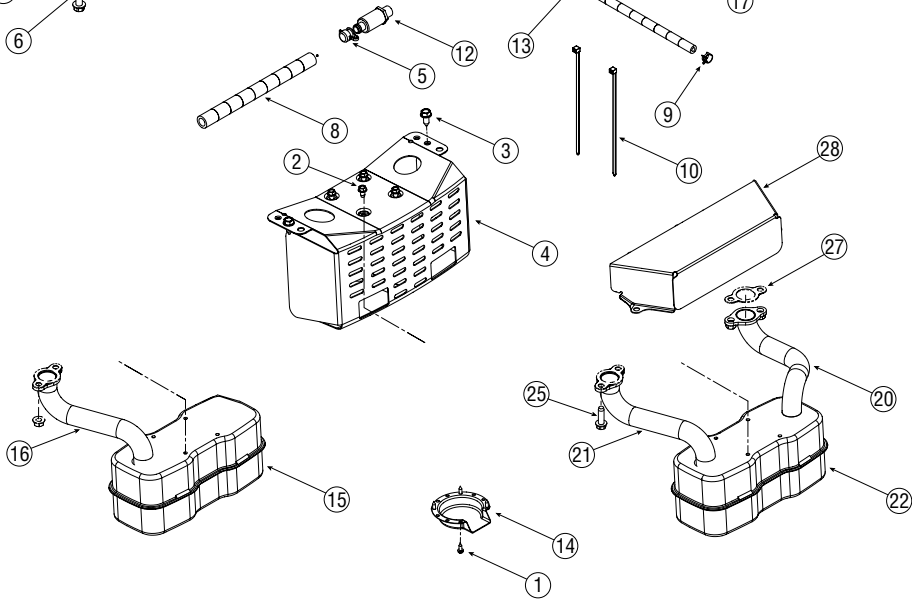
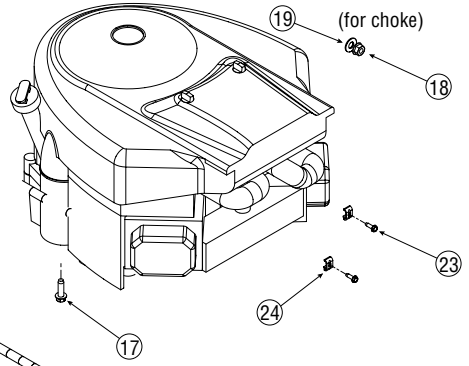
## Model Series 605

Ref. No.	Part No.	Description
83	656-04015	Pulley Ass'y, Variable Speed
84	683-04129	Bracket, Pulley
85	710-0627	Screw, 5/16-24,.750
86	710-1652	Screw, 1/4-20,.625
87	718-04012	Cup, Bearing
88	736-0362	Washer, Flat
89	741-0600	Ball Bearing
90	783-04722	Switch Bracket, Parking Brake
91	736-0242	Washer, Bell,.340 x.872 x.060
92	712-04065	Nut, Flange Lock, 3/8-16, GrF
93	710-0599	Screw, 1/4-20 x.500
94	736-0430	Flat Washer,.350 x 1.59 x.062
95	634-0104	Wheel Assy Comp, 20 x 8 x 8
	734-1730	Tire Only 20 x 8 x 8
	734-0603A	Rim Only w/ Valve Stem
96	736-3010	Flat Washer, .407 x .812 x .135
97	714-0507	Pin, Cotter, 3/32 x .750
98	736-0119	Lock Washer, 5/16
99	725-3167	Switch
100	731-2290A	Hub Cap

### Kohler Courage



### Briggs & Stratton V-Twin

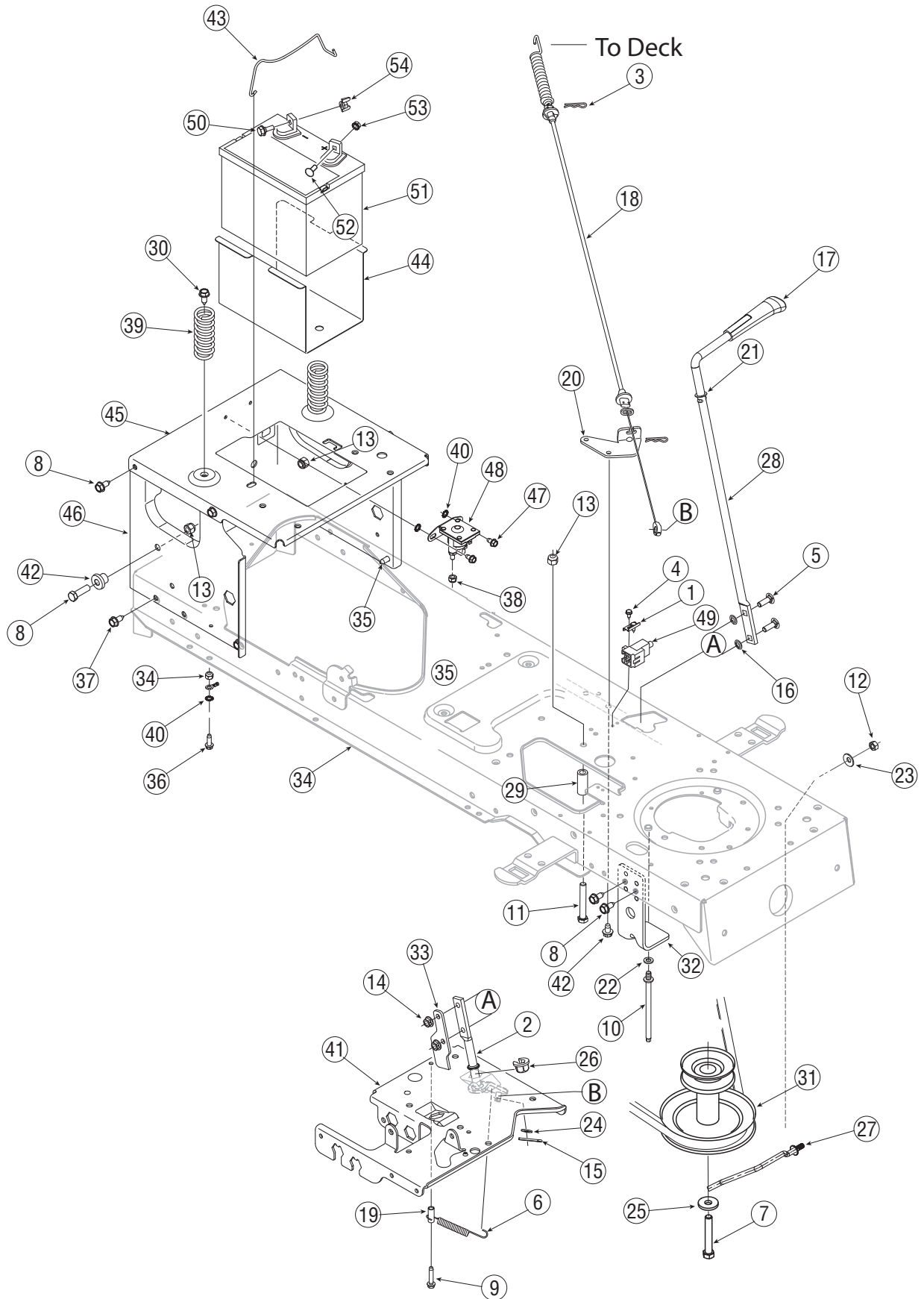


Ref. No.	Part No.	Description
1	710-0227	AB Screw #8-18 x 0.5
2	710-0599	TT Screw 1/4-20 x 0.5
3	710-0726	AB Screw 5/16-12 x 0.5
4	783-0615D	Muffler Bracket
5	751-3142	Oil Drain Cap
6	710-0654A	TT Screw 3/8-16 x 1.00
7	736-0277	Flat Washer, 1.031 x 1.620 x .095
8	751-3141	Oil Drain Extension Hose
9	726-0205	Hose Clamp
10	725-0157	Cable Tie
11	726-0272	Clamp
12	751-3140	Oil Drain Valve
13	751-10349	Fuel Line Hose
14	751-0564A	Muffler Deflector

Ref. No.	Part No.	Description
15	751-0617B	Single Inlet Muffler
16	751-10047	Exhaust Pipe
17	710-1315	Screw, 3/8-16 x 1.250
18	712-3005	Flange Lock Nut, 3/8-16
19	736-0300	Flat Washer, .406 x .875 x .059
20	751-0651B	LH Exhaust Pipe
21	751-0650B	RH Exhaust Pipe
22	751-0616B	Dual Inlet Muffler
23	710-1237	Screw, #10-32 x .625
24	751B221535	Clamp
25	710-1314A	Screw, 5/16-18 x .750
26	712-0271	Sems Nut, 1/4-20
27	721-0460	Exhaust Gasket
28	783-0625C	Heat Shield

**NOTE:** Tractor features vary by model. NOT all parts listed above and pictured on the previous page are standard equipment.

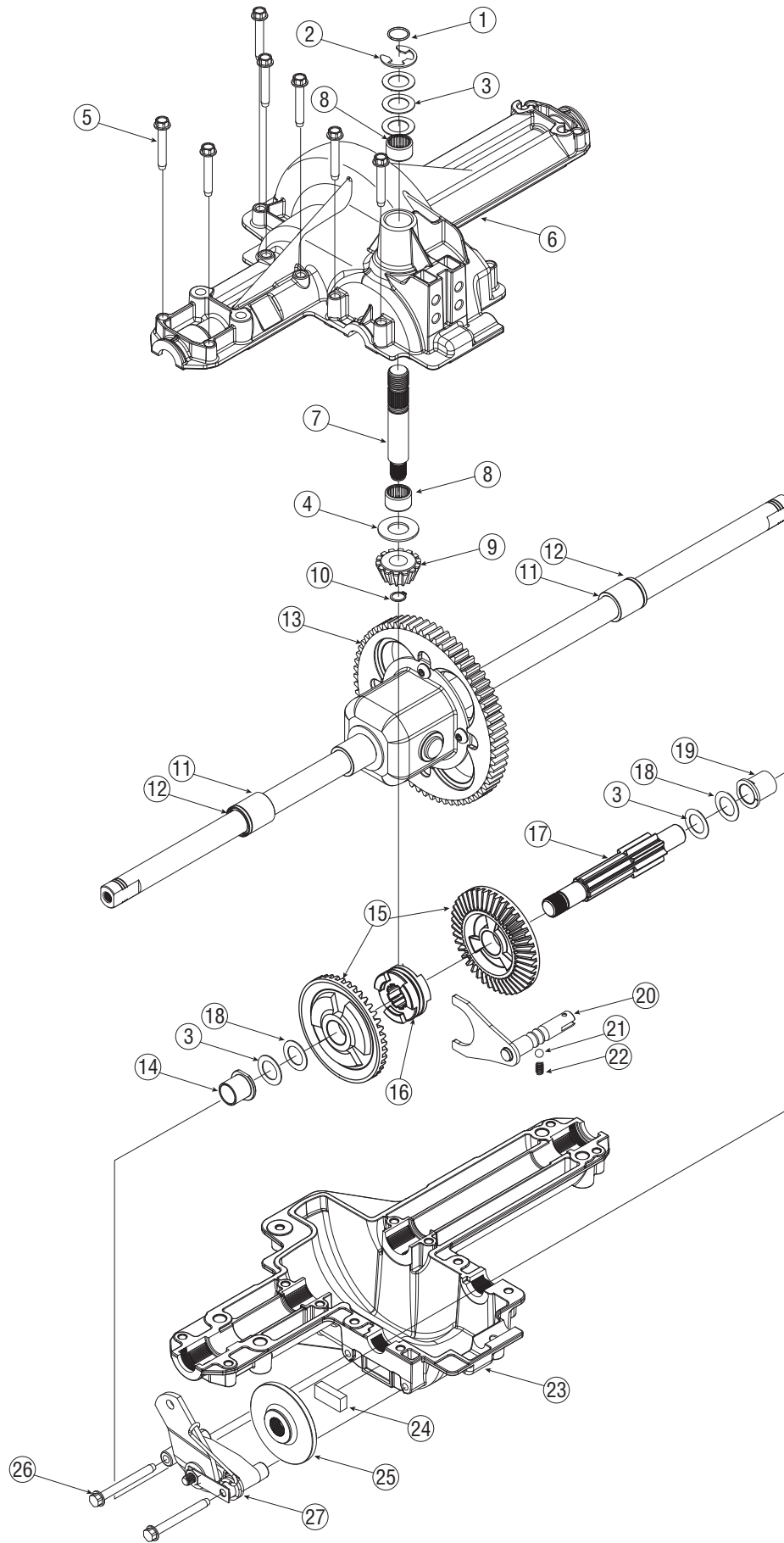
# Model Series 605



Ref. No.	Part No.	Description
1	17962	Plate, Switch
2	647-04036	Lever Assembly, Engagement
3	714-0145	Click Pin
4	710-0224	Screw, #10-16, 0.500
5	710-0276	Screw, Carriage, 5/16-18, 1.00
6	732-04248	Extension Spring, .38 OD x 3.9 Lg
7	710-04377	Screw, 7/16-20, 2.75, Gr5
8	710-0726	Screw, 5/16-12, 0.750
9	710-0778	Screw, 1/4-20 x 1.50
10	711-1044A	Pin, Belt Guard, 5/16 x 4.75
11	710-0859	Screw, 3/8-16 x 2.50
12	712-04063	Nut, Flange Lock, 5/16-18, GrF
13	712-04065	Nut, Flange Lock, 3/8-16, GrF
14	712-3004A	Nut, Flange Lock, 5/16-18, Gr5
15	714-0470	Pin, Cotter, 1/8 x 1.25
16	726-0201	Nut, Speed, .3125 ID
17	731-2111A	Knob, PTO
18	746-04092	Deck Engagement Cable
19	750-0566A	Spacer, .260 x .372 x 1.030 Lg.
20	783-04590A	Cable Bracket
21	736-0108	Washer, Flat, .510 x .750 x .033
22	736-0119	Washer, Lock, 5/16
23	736-0242	Washer, Bell, .340 x .872 x .060
24	736-0275	Washer, Flat, .344 x .688 x .065
25	736-0322	Washer, Flat, .450 x 1.250 x .164
26	741-0708	Bearing, Flange, Hex Split .500 ID
27	747-1286A	Keeper Rod, Belt

Ref. No.	Part No.	Description
28	747-04470	Engagement Handle, Deck
29	748-0415B	Spacer, .385 ID x .635 OD x 1.54
30	710-1260A	Screw, 5/16-18 x .750
31	756-04207	Pulley, Engine, 3.39 x 6.12 Dia.
32	783-04467	Stop Bracket, Deck-Up
33	783-0744A	Stop Bracket, Engagement
34	683-04173	Frame Assembly, Lower
35	710-0607	Screw, 5/16-18, 0.500
36	710-0642	Screw, 1/4-20, 0.750
37	710-3005	Screw, 3/8-16, 1.25, Gr5
38	712-04064	Nut, Flange Lock, 1/4-20, GrF
39	732-04035	Spring, Compr., 1.28 OD x 3.125
40	736-0222	Washer, Lock, 1/4, External
41	783-04612	Support Bracket, Steering
42	738-04058	Spacer, Shoulder, .38 x 1.0 x .70
43	747-04121A	Hold Rod, Battery
44	783-0349	Battery Tray
45	783-04329A	Seat Bracket, Frame
46	783-04809	Frame, Upper
47	710-0599	Screw, 1/4-20, 0.50
48	725-1426A	Solenoid, 12V, 100 Amp
49	725-04039	Switch, Interlock
50	738-1132	Screw, Shoulder, .250 x .150
51	725-1737	Battery, 190 CCA
52	710-0703	Screw, Carriage, 1/4-20, .75, Gr5
53	712-0271	Nut, Sems, 1/4-20
54	712-3087	Nut, Wing, 1/4-20

# Model Series 605

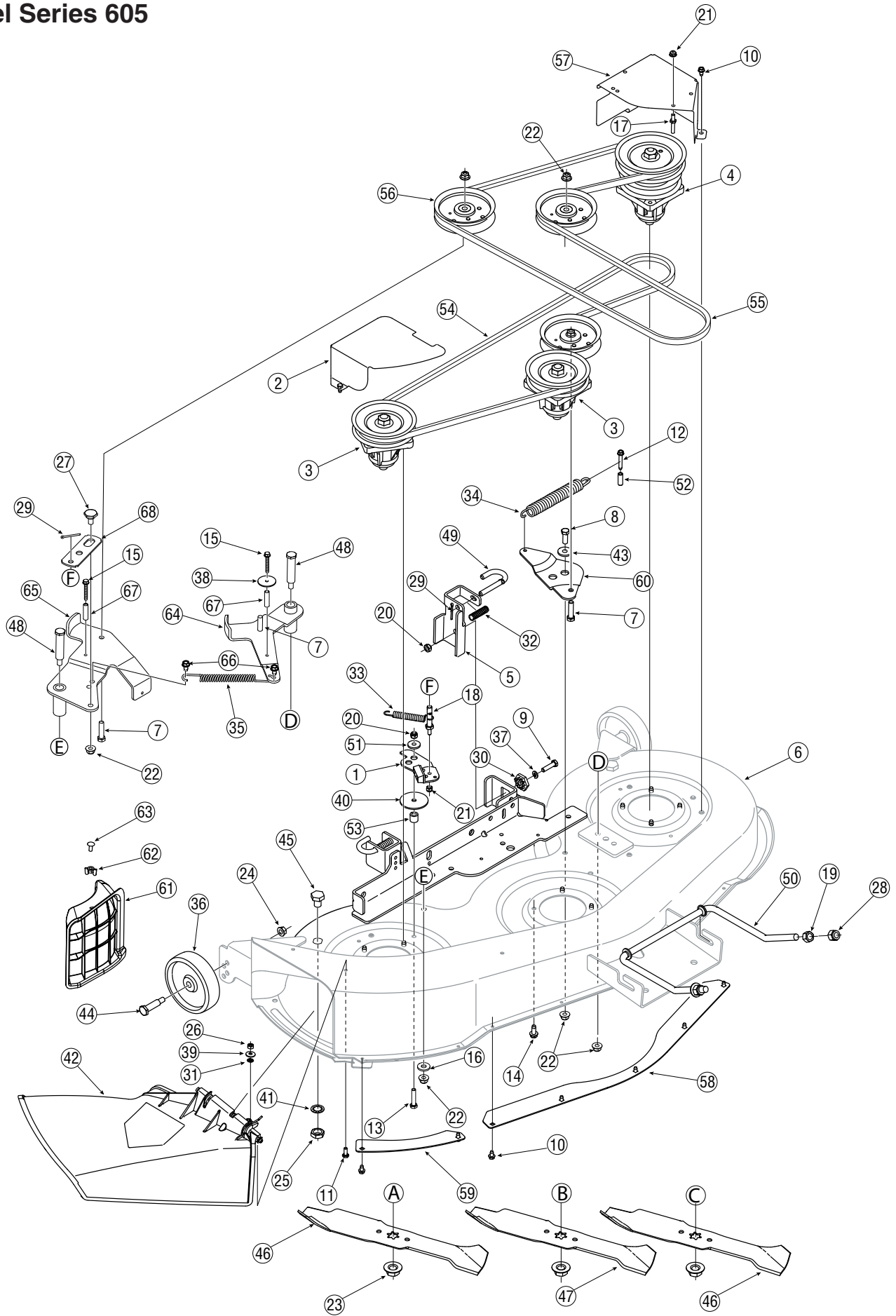


Ref. No.	Part No.	Description
1	732-0614	Ring, Wire
2	716-0231	Ring, E Type,.750
3	736-0336*	Flat Washer, 5/8 x 1.0 x.030
	736-0337*	Flat Washer, 5/8 x 1.0 x.040
	736-0349*	Flat Washer, 5/8 x 1.0 x.020
4	736-0335	Washer, Thrust.635 x 1.26 x.06
5	710-1325	Self-tapping Screw, 1/4-20 x 1.625
6	719-04017	Upper Housing
7	711-1109	Input Shaft
8	741-0335	Needle Bearing,.625 x.813 x.495
9	717-1464	14-tooth Bevel Pinion
10	716-0108	Retaining Ring,.437
11	741-0340	Sleeve Bearing,.75 x1.0 x 1.0
12	721-0338	Seal,.75 x 1.0 x.125
13	618-04041	Differential Assembly
14	741-0336	Flange Bearing, 5/8 x 3/4 x 3/4
15	717-04056	42-tooth Bevel Gear
16	718-04045	Clutch Collar
17	711-04134	Drive Shaft
18	736-0495*	Thrust Washer, 1.0 x.632 x.0
	736-0494*	Flat Washer,.632 x 1.00 x.035
19	741-0337	Flange Bearing, 5/8 x 3/4 x 15/16
20	611-0011	Detent Shaft Assembly
21	741-0862	Detent Ball
22	732-0863	Compression Spring
23	719-04018	Lower Housing
24	717-0678	Brake Puck
25	761-0202	Brake Disc
26	710-1206	Self-tapping Screw, 1/4-20 x 2.375
27	661-0001	Brake Assembly
—	737-0148	Grease (19 oz.)

\* Use applicable flat washer (ref. #'s 3 or 18) in this application allowing .0150/.0020 in. end-play

**NOTE:** If rebuilding the upper housing, include two ounces (2 oz.) of Unirex® N3 grease (Part No. 737-0289) in the input shaft cavity.

# Model Series 605



Ref. No.	Part No.	Description
1	17116	Brake Assembly, Deck
2	17258E	RH Belt Cover, Deck 46"
3	618-0240A	Spindle Assembly, 5.00 Dia.
4	618-04134B	Spindle Ass'y, Double Pulley
5	683-0254B	Hanger Bracket Assembly
6	683-04254	Deck Weldment
7	710-0520	Screw, 3/8-16, 1.50, Gr5
8	710-0514	Screw, 3/8-16, 1.00, Gr5
9	710-0528	Screw, 5/16-18, 1.25, Gr5
10	710-0599	Screw, 1/4-20, 0.500
11	710-3015	Screw, 1/4-20, .75, Gr5
12	710-0778	Screw, 1/4-20, 1.500
13	710-0805	Screw, 5/16-18, 1.50, Gr5
14	710-1260A	Screw, Ld, 5/16-18, 0.750
15	710-1026	Screw, 1/4-20 x 1.75
16	736-0247	Washer, Flat, .406 x 1.25 x .157
17	711-0993	Belt Guard Pin 1/4 Dia x 1.43
18	711-1554	Pin, 1/4-20, 3/8 x 2.0
19	712-0206	Nut, Hex, 1/2-13, Gr5
20	712-04063	Nut, Flange Lock, 5/16-18, GrF
21	712-04064	Nut, Flange Lock, 1/4-20, GrF
22	712-04065	Nut, Flange Lock, 3/8-16, GrF
23	712-0417A	Nut, Flange, 5/8-18
24	712-0431	Nut, Flange Lock, 3/8-16, GrF
25	712-0641	Nut, Hex, M16-1.5
26	712-3006	Nut, Hex, 1/4-20, Gr5
27	738-0322	Shld, Screw, .625 Dia. x .217
28	712-3083	Nut, Hex Lock, 1/2-13, Gr8, Nylon
29	714-0470	Pin, Cot, 1/8 x 1.25
30	717-04074	Adjustment Gear, Deck
31	726-0233	Nut, Push, .25 ID x .50 OD
32	732-0306A	Sprg, Compress, .531 OD x 1.75
33	732-0429A	Spring, Extension, .50 Dia x 3.97
34	732-0594A	Spring, Extension, .91 Dia x 7.33

Ref. No.	Part No.	Description
35	732-0944	Spring, Extension, .75 OD x 6.75
36	734-0973	Wheel, Deck 5.0 x 1.38
37	736-0119	Washer, Lock, 5/16
38	736-0211	Washer, Flat, .285 x 1.25 x .06
39	736-0270	Washer, Bell, .265 x .75 x .062
40	736-0418A	Washer, Flat, .34 x 2.25 x .10
41	736-0225	Washer, Lock, 5/8
42	731-1032B	Chute Assembly
43	738-0347	Spacer, Shoulder, .625 ID x .169
44	738-0373	Spacer, Shoulder, .498 x 1.53
45	738-04146	Plug
46	742-0611A	Blade, 16.28", Star 3-in-One
47	742-0612A	Blade, 14.88", Star 3-in-One
48	738-04216	Shld. Screw, .625 x 2.515 x .875
49	747-1116	Rod, Deck Release
50	747-1130B	Rod, Deck Adjustment
51	748-0234	Shoulder Spacer
52	750-0566A	Spacer, .260 x .372 x 1.030
53	750-1320	Spacer, .375 x .63 x .595
54	754-0349	Belt, V-Type, Poly, A x 79.10 Lg.
55	754-04122	Belt, V-Type, A x 90.24
56	756-04129	Pulley, Idler, 4.25" Dia.
57	783-1348C	Belt Cover, LH
58	783-0141	Deck Skirt, Center
59	783-0142	Deck Skirt, RH
60	783-04641	Bracket, Idler
61	731-05264†	Mulch Plug
62	712-3087†	Wing Nut
63	710-0134†	Carriage Screw, 1/4-20 x .62
64	683-04250	Idler Bracket Assembly - LH
65	683-04251	Idler Bracket Assembly - RH
66	710-0623	Screw, 3/8-16 x .750
67	750-04456	Spacer, .260 x .372 x 1.420 Lg.
68	783-04991	Brake Bracket

† If Equipped

**NOTE:** Tractor features vary by model. NOT all parts listed above and pictured on the previous page are standard equipment.