



MODEL W1689 15" Wide Belt Sander



PARTS LIST

Phone: 1-360-734-3482 • On-Line Technical Support: tech-support@woodstockint.com

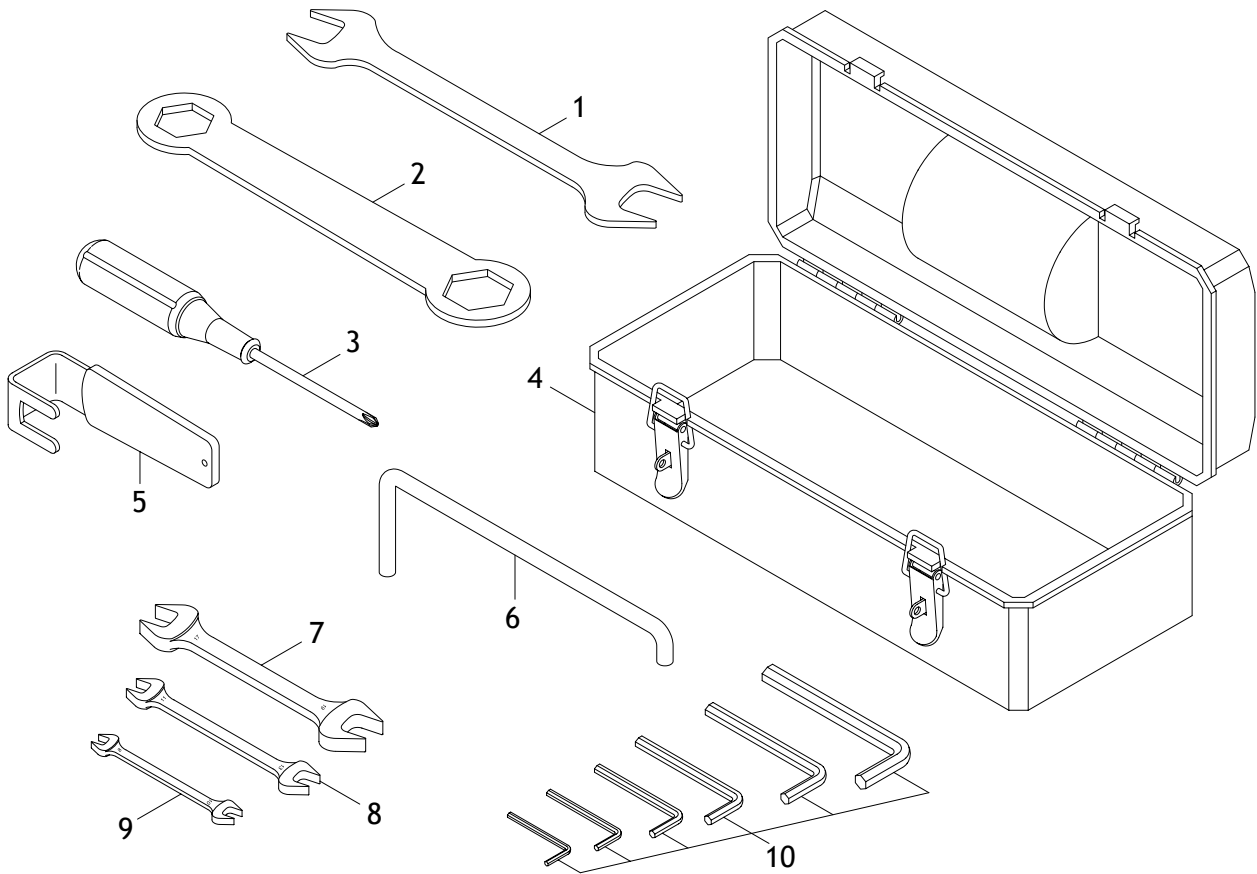
COPYRIGHT © August, 2002 BY WOODSTOCK INTERNATIONAL, INC.

WARNING: NO PORTION OF THIS MANUAL MAY BE REPRODUCED IN ANY SHAPE OR FORM WITHOUT

THE WRITTEN APPROVAL OF WOODSTOCK INTERNATIONAL, INC.

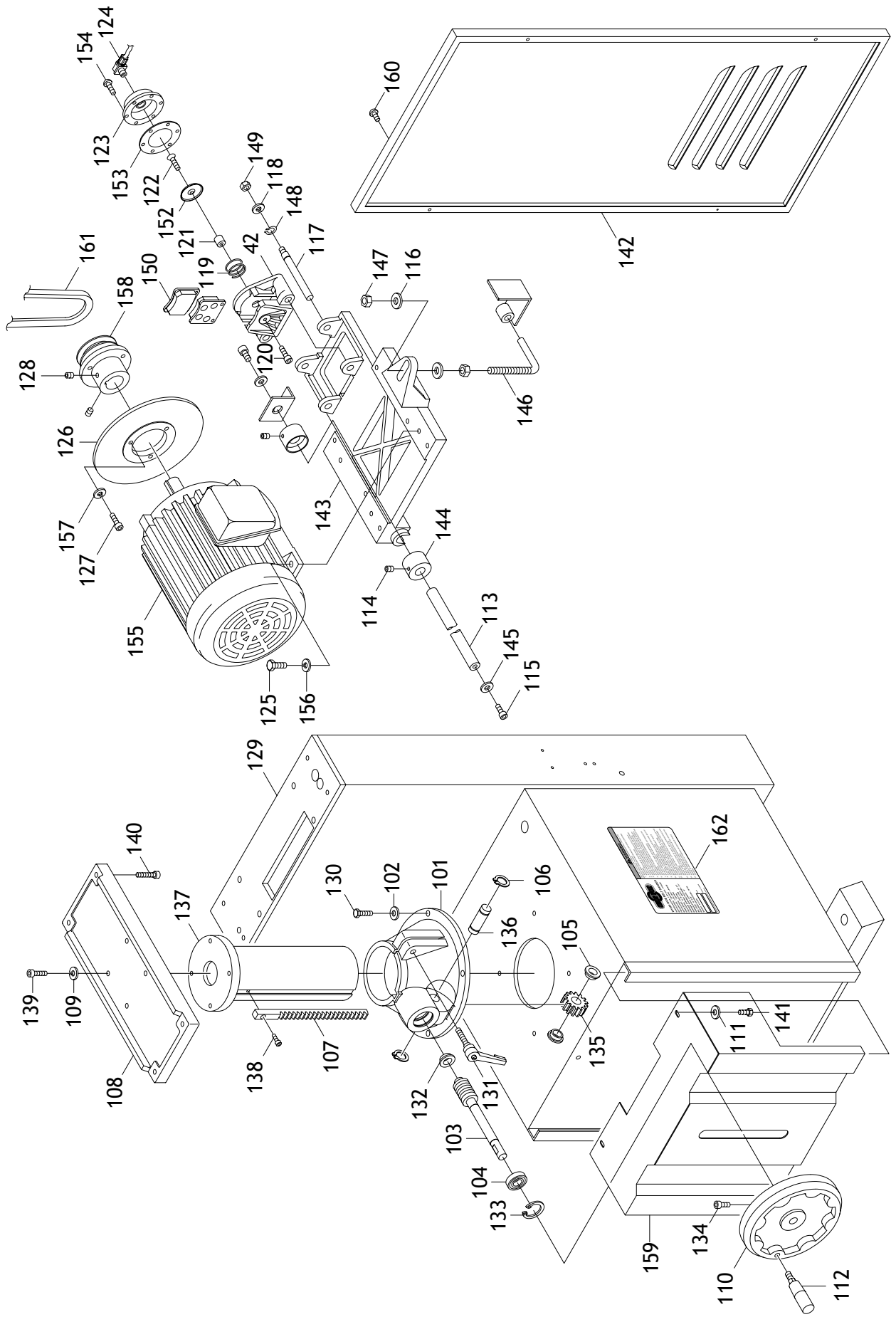
Printed in Taiwan

W1689 Parts & Replacement Items



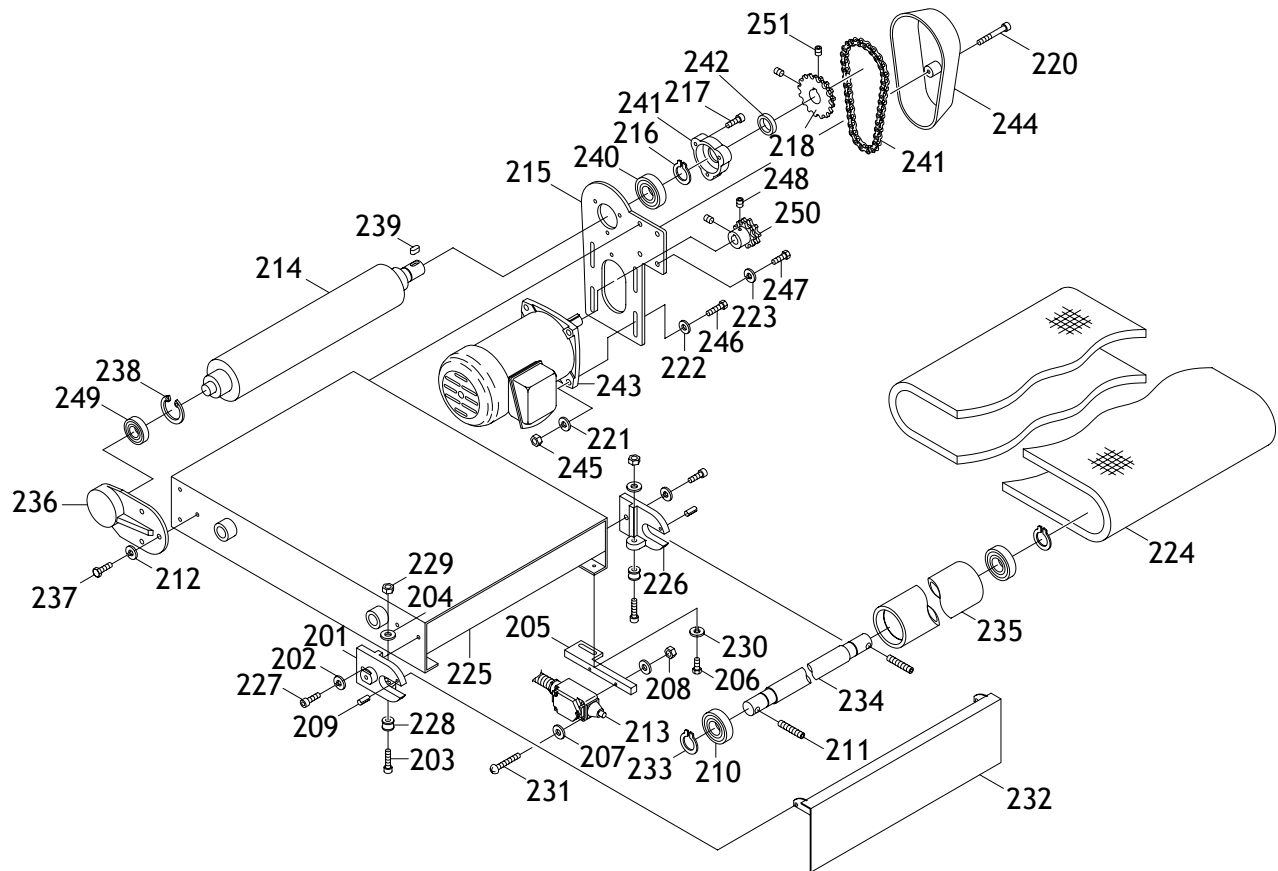
REF	PART #	DESCRIPTION
1	XPWR1214	COMBO WRENCH 12/14MM
2	X1689002	BOX WRENCH 30/37MM
3	X1689003	PHILLIPS SCREWDRIVER
4	X1689004	TOOL BOX
5	X1689005	ACCESS DOOR HANDLE

REF	PART #	DESCRIPTION
6	X1689006	PLATEN TOOL
7	XPWR1719	COMBO WRENCH 17/19MM
8	XPWR1113	COMBO WRENCH 11/13MM
9	XPWR810	COMBO WRENCH 8/10MM
10	X1689010	ALLEN WRENCH SET (10)



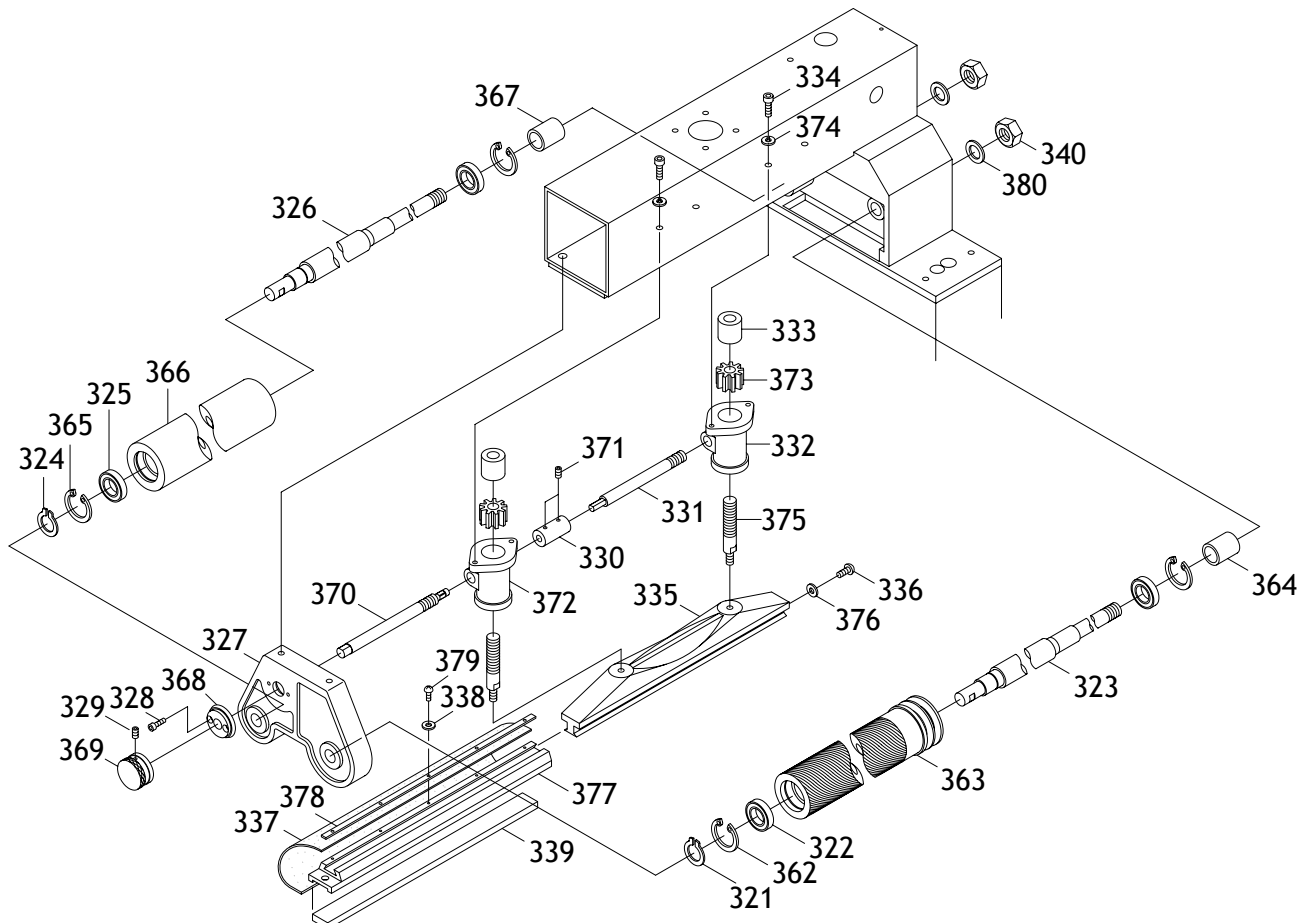
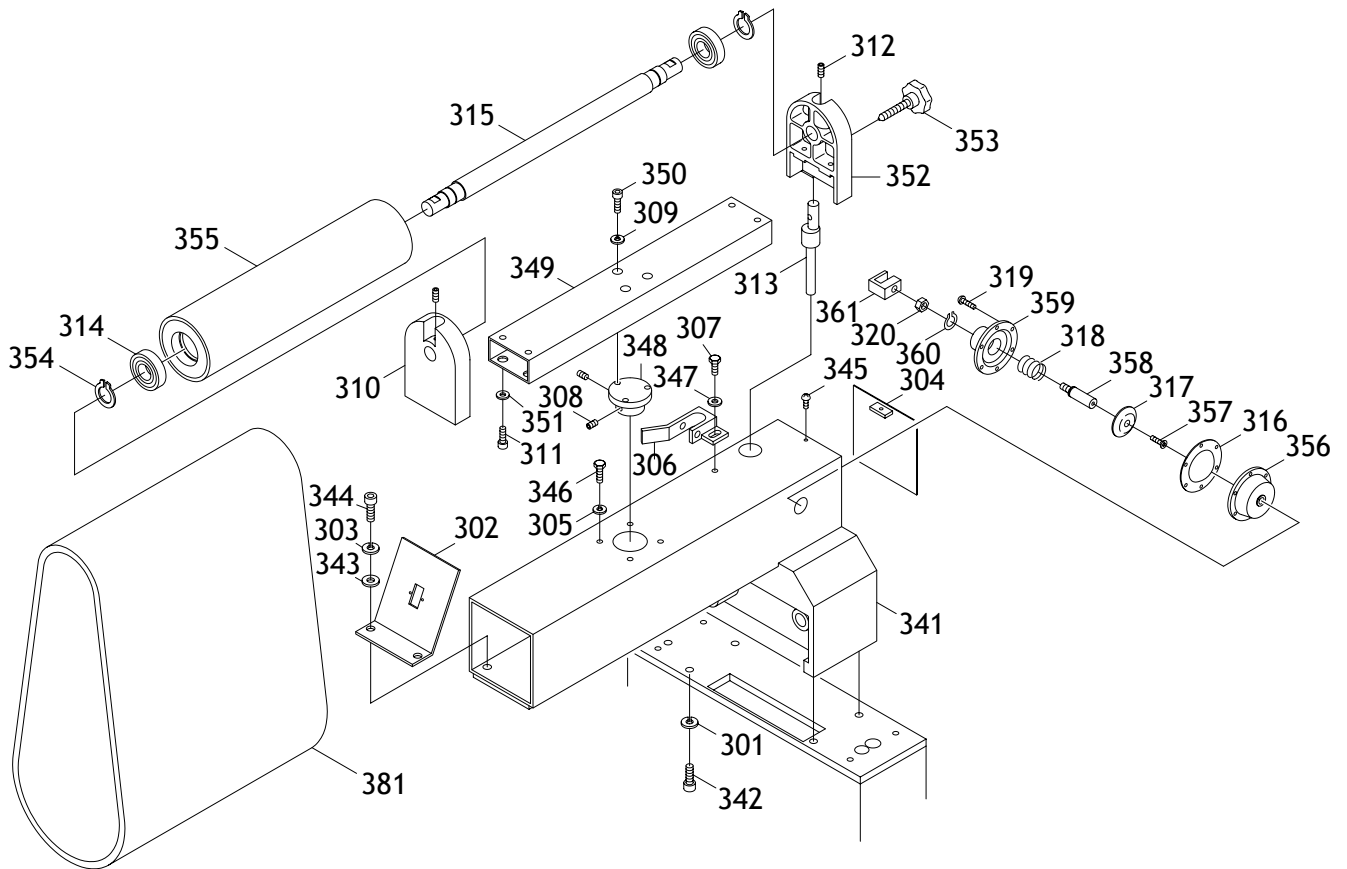
REF	PART #	DESCRIPTION
101	X1689101	QUILL BASE
102	XPLW06M	LOCK WASHER 10MM
103	X1689103	WORM GEAR SHAFT
104	XP6203ZZ	BEARING 6203-ZZ
105	X1689105	BUSHING
106	XPR18M	RETAINING RING S17
107	X1689107	RACK
108	X1689108	CONVEYOR SUPPORT FRAME
109	XPLW04M	LOCK WASHER 8MM
110	X1689110	HANDWHEEL
111	XPW03M	FLAT WASHER 6MM
112	X1689112	HANDLE M10-1.5 x 20
113	X1689113	SETTING SHAFT
114	XPSS09M	SETSCREW M8-1.25 X 20
115	XPSB62M	CAP SCREW M10-1.5 X 12
116	XPW06M	FLAT WASHER 12MM
117	X1689117	BRAKE PIN
118	XPLW06M	LOCK WASHER 10MM
119	X1689119	BRAKE CALIPER
120	XPS14M	CAP SCREW M6-1.0 X 12
121	X1689121	BRAKE
122	XPS47M	PHLP HD SCR M6-1.0 X 25
123	X1689123	TOP COVER
124	X1689124	PLASTIC CONNECTOR
125	XPB501M	HEX BOLT M10-1.5 X 30
126	X1689126	BRAKE ROTOR
127	XPSB75M	CAP SCREW M10-1.5 X 18
128	XPSS13M	SETSCREW M10-1.5 X 12
129	X1689129	MACHINE BASE
130	XPSB64M	CAP SCREW M10-1.5 X 25
131	X1689131	LOCKING HANDLE M10-1.5 x 50

REF	PART #	DESCRIPTION
132	XP51102	BEARING 51102
133	XPR34M	RETAINING RING R40
134	XPSB64M	CAP SCREW M10-1.5 X 25MM
135	X1689135	WORM GEAR
136	X1689136	GEAR SHAFT
137	X1689137	QUILL
138	XPSB74M	CAP SCREW M6-1.0 X 18
139	XPSB12M	CAP SCREW M8-1.25 X 40
140	XPSB12M	CAP SCREW M8-1.25 X 40
141	XPS24M	PHLP HD SCR M6-1.0 X 10
142	X1689142	MACHINE BASE COVER
143	X1689143	MOTOR BASE
144	X1689144	LOCK BUSHING
145	XPW04M	FLAT WASHER 10MM
146	X1689146	ADJUSTABLE SCREW
147	XPNO9M	HEX NUT M12-1.75
148	X1689148	EXT RETAINING RING 13MM
149	XPNO2M	HEX NUT M10-1.5
150	X1689150	BRAKE PAD
151	X1689151	SPRING
152	X1689152	PLATE
153	X1689153	DIAPHRAGM
154	XPS20M	PHLP HD SCR M5-.08 X 15
155	X1689155	SPINDLE MOTOR 5HP
156	XPLW06M	LOCK WASHER 10MM
157	XPLW06M	LOCK WASHER 10MM
158	X1689158	MOTOR PULLEY
159	X1689159	QUILL COVER
160	XPS47M	PHLP HD SCR M6-1.0 X 25
161	XPVA78	BELT A78
162	X1689162	MACHINE ID/WARNING LABEL



REF	PART #	DESCRIPTION
201	X1689201	ROLLER BRACKET L
202	XPLW04M	LOCK WASHER 8MM
203	XPSB40M	CAP SCREW M8-1.25 X 35
204	XPLW04M	LOCK WASHER 8MM
205	X1689205	LIMIT SWITCH BASE
206	XPS14M	PHLP HD SCR M6-1.0 X 12
207	XPW05M	FLAT WASHER 4MM
208	XPNO4M	HEX NUT M4-0.07
209	XPRP03M	PIN 5 X 20MM
210	XP6305ZZ	BEARING 6305-ZZ
211	XPSS39M	SETSCREW M10-1.5 X 50
212	XPLW04M	LOCK WASHER 8MM
213	X1689213	LIMIT SWITCH
214	X1689214	MAIN ROLLER
215	X1689215	MOTOR PANEL
216	XPR11M	RETAINING RING S25
217	XPSB74M	CAP SCREW M6-1.0 X 18MM
218	X1689218	CHAIN WHEEL 19T X 24T
219	X1689219	CHAIN 3/8" X 48PC
220	XPSB37M	CAP SCREW M6-1.0 X 50
221	XPLW04M	LOCK WASHER 8MM
222	XPW01M	FLAT WASHER 8MM
223	XPLW04M	LOCK WASHER 8MM
224	X1689224	CONVEYOR BELT 380 X 1620
225	X1689225	CONVEYOR SUPPORT FRAME
226	X1689226	ROLLER BRACKET R

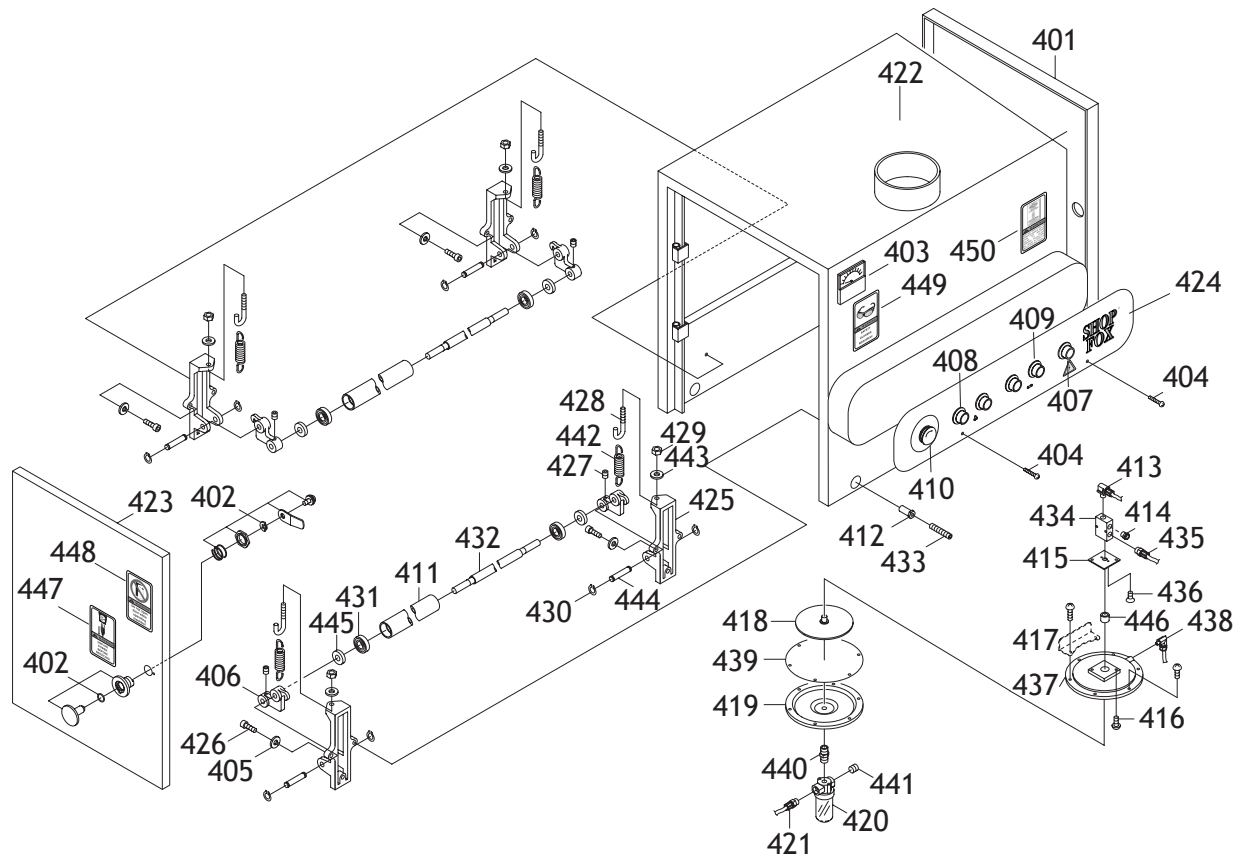
REF	PART #	DESCRIPTION
227	XPB07M	HEX BOLT M8-1.25 X 25
228	X1689228	BRASS ROLLER
229	XPNO3M	HEX NUT M8-1.25
230	XPW03M	FLAT WASHER 6MM
231	XPS48M	PHLP HD SCR M4-.07 X 50
232	X1689232	E-BRAKE PANEL
233	XPR11M	RETAINING RING S25
234	X1689234	CONVEYOR AXLE
235	X1689235	CONVEYOR ROLLER
236	X1689236	BEARING SEAT
237	XPB09M	HEX BOLT M8-1.25 X 20
238	XPR25M	RETAINING RING R47
239	XPK60M	KEY 8 X 8 X 15MM
240	XP6205ZZ	BEARING 6205-ZZ
241	X1689235	BEARING COVER
242	X1689237	BUSHING
243	X1689243	FEED MOTOR 1/4 HP
244	X1689244	ROLLER CHAIN COVER
245	XPNO3M	HEX NUT M8-1.25
246	XPB26M	HEX BOLT M8-1.25 X 30
247	XPB09M	HEX BOLT M8-1.25 X 20
248	XPSS02M	SETSCREW M6-1.0 X 6
249	XP6204ZZ	BEARING 6204-ZZ
250	X1689250	CHAIN WHEEL 12T, 14T
251	XPSS40M	SETSCREW M6-1.0 X 66





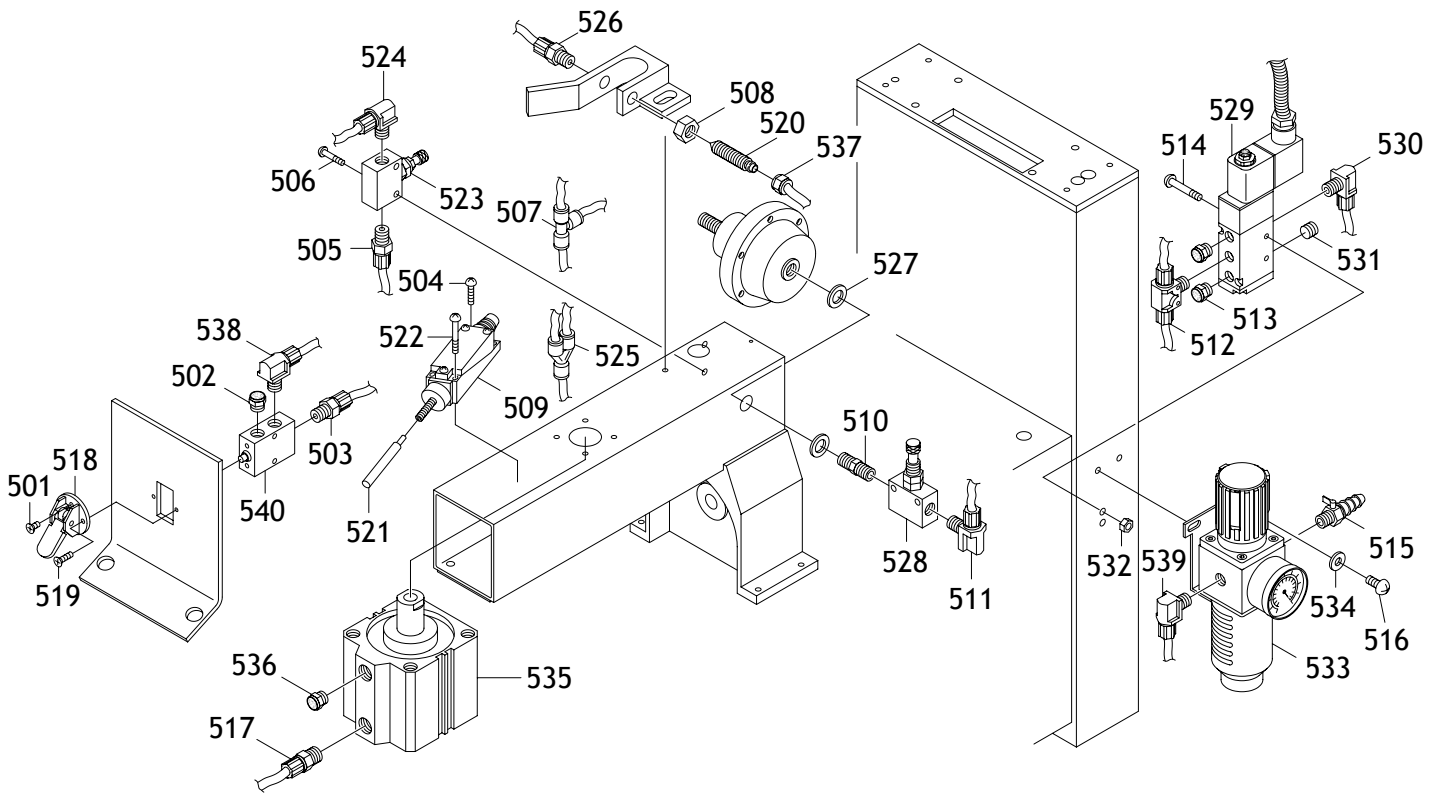
REF	PART #	DESCRIPTION
301	XPLW06M	LOCK WASHER 10MM
302	X1689302	SWITCH PLATE
303	XPLW06M	LOCK WASHER 10MM
304	X1689304	COVER
305	XPLW04M	LOCK WASHER 8MM
306	X1689306	FORK
307	XPS14M	PHLP HD SCR M6-1.0 X 12
308	XPSS02M	SETSCREW M6-1.0 X 6MM
309	XPLW04M	LOCK WASHER 8MM
310	X1689310	TOP ROLLER SUPPORT
311	XPSS41M	SETSCREW M8-1.25 X 18
312	XPSB26M	CAP M6-1.0 X 12MM
313	X1689313	ECCENTRIC SHAFT
314	XP6205ZZ	BEARING 6205-ZZ
315	X1689315	TOP ROLLER SHAFT
316	X1689316	DIAPHRAGM
317	X1689317	PLATE
318	X1689318	SPRING
319	XPS06M	PHLP HD SCR M5-.08 X 20
320	XPN02M	HEX NUT M10-1.5
321	XPR11M	RETAINING RING S25
322	XP6005ZZ	BEARING 6005-ZZ
323	X1689323	ROLLER SHAFT
324	XPR11M	RETAINING RING S25
325	XP6005ZZ	BEARING 6005-ZZ
326	X1689326	ROLLER SHAFT
327	X1689327	ROLLER BASE
328	XPSB04M	CAPSCREW M6-1.0 X 10
329	XPSS02M	SETSCREW M6-1.0 X 6
330	X1689330	CONNECTION COUPLING
331	X1689331	SUPP WORM GEAR SHAFT
332	X1689332	GRAPHITE BASE R
333	X1689333	GEAR BUSHING
334	XPB03M	HEX BOLT M8-1.25 X 16
335	X1689335	PLATEN (FEMALE)
336	XPSB58M	CAP SCREW M8-1.25 X 12
337	X1689337	CARBON GRAPHITE
338	XPW05M	FLAT WASHER 4MM
339	X1689339	LINING 30 X 415MM
340	XPN28M	HEX NUT M20-2.5
341	X1689341	CONTACT BASE ROLLER

REF	PART #	DESCRIPTION
342	XPSB72M	CAP SCREW M10-1.5 X 30
343	XPW04M	FLAT WASHER 10MM
344	XPSB72M	CAP SCREW M10-1.5 X 30
345	XPS02M	PHLP HD SCR M4-.07 X 12
346	XPB07M	HEX BOLT M8-1.25 X 25
347	XPW03M	FLAT WASHER 6MM
348	X1689348	CYLINDER ROLLER FRAME
349	X1689349	SUPPORT TUBE
350	XPSB76M	CAP SCREW M8-1.25 X 18MM
351	XPLW04M	LOCK WASHER 8MM
352	X1689352	TOP ECCENTRIC FRAME
353	X1689353	KNOB BOLT M8 X 55
354	XPR11M	RETAINING RING S25
355	X1689355	TOP ROLLER
356	X1689356	TOP COVER
357	XPS14M	PHLP HD SCR M6-1.0 X 12
358	X1689358	SHAFT
359	X1689359	BOTTOM COVER
360	XPR05M	EXT RETAINING RING 15MM
361	X1689361	OSCILLATION SQUARE
362	XPR25M	RETAINING RING R47
363	X1689363	CONTACT ROLLER
364	X1689364	SLEEVE
365	XPR25M	RETAINING RING R47
366	X1689366	SUPPORT ROLLER
367	X1689367	BUSHING
368	X1689368	MICROMETER BASE
369	X1689369	MICROMETER
370	X1689370	MAIN WORM GEAR SHAFT
371	XPSS01M	SETSCREW M6-1.0 X 10
372	X1689372	GRAPHITE BASE L
373	X1689373	WORM GEAR
374	XPLW04M	LOCK WASHER 8MM
375	X1689375	VERT MICROMETER SCREW
376	XPW01M	FLAT WASHER 8MM
377	X1689377	PLATEN (MALE)
378	X1689378	SET PLATE
379	XPS38M	PHLP HD SCR M4-.07 X 10
380	XPLW07M	LOCK WASHER 20MM
381	X1689381	SANDING BELT



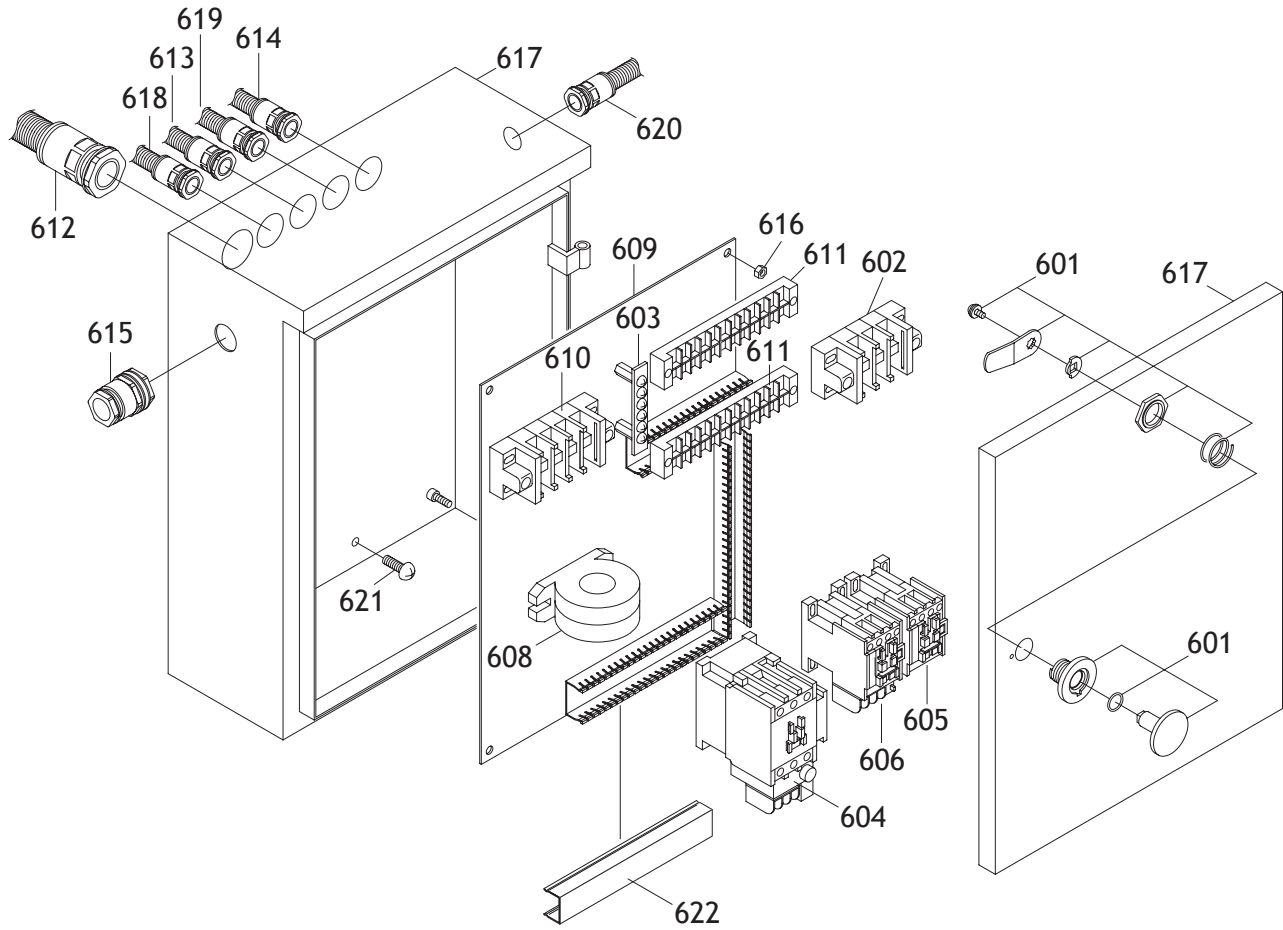
REF	PART #	DESCRIPTION
401	X1689401	ACCESS DOOR RH
402	X1689402	LOCK
403	X1689406	LOAD METER
404	XPS531M	PHLP HD SCR M6-1.0 X 35
405	XPLW03M	LOCK WASHER 6MM
406	X1689406	TILTING ARM
407	X1689407	POWER INDICATOR
408	X1689408	START BUTTON
409	X1689409	STOP BUTTON
410	X1689410	EMERGENCY STOP BUTTON
411	X1689411	PRESSURE ROLLER
412	X1689412	SPECIAL NUT M8-1.25
413	X1689413	PLASTIC CONNECTOR L6-1/8"
414	X1689414	SILENCER 1/8"
415	X1689415	LINING
416	XPS02M	PHLP HD SCR M4-.07 X 12
417	XPS06M	PHLP HD SCR M5-.08 X 20
418	X1689418	PLATE
419	X1689419	BOTTOM ALUMINUM COVER
420	X1689420	CUP 1/4"
421	X1689421	PLASTIC CONNECT C6-1/4"
422	X1689422	MACHINE FRAME403
423	X1689423	ACCESS DOOR LH
424	X1689424	OPERATING PANEL
425	X1689425	PRESSURE ROLLER FRAME

REF	PART #	DESCRIPTION
426	XPSB06M	CAPSCREW M6-1.0 X 25
427	XPSS26M	SETSCREW M5-08 X 6MM
428	X1689428	SPRING HOOK
429	XPN03M	HEX NUT M8-1.25
430	XPR01M	RETAINING RING S10
431	XP6001ZZ	BEARING 6001-ZZ
432	X1689432	PRESSURE SHAFT
433	XPSS42M	SETSCREW M8-1.25 X 50
434	X1689434	SWITCHING VALVE 1/8"
435	X1689435	PLASTIC CONNECTOR C6-1/8"
436	XPS49M	PHLP HD SCR M3-.5 X 5
437	X1689437	TOP ALUMINUM COVER
438	X1689438	PLASTIC CONNECT M6 X 1/4"
439	X1689439	DIAPHRAGM
440	X1689440	PLASTIC CONNECT 1/8" X 1/8"
441	X1689441	CONNECTOR 1/4"
442	X1689442	SPRING
443	XPW01M	FLAT WASHER 8MM
444	X1689444	SET PIN
445	X1689445	BEARING COVER
446	X1689446	SPACER
447	X1689447	LABEL-UNPLUG POWER
448	X1689447	LABEL-KEEP DOOR CLOSED
449	X1689449	LABEL-SAFETY GLASSES
450	X1689450	LABEL-READ MANUAL



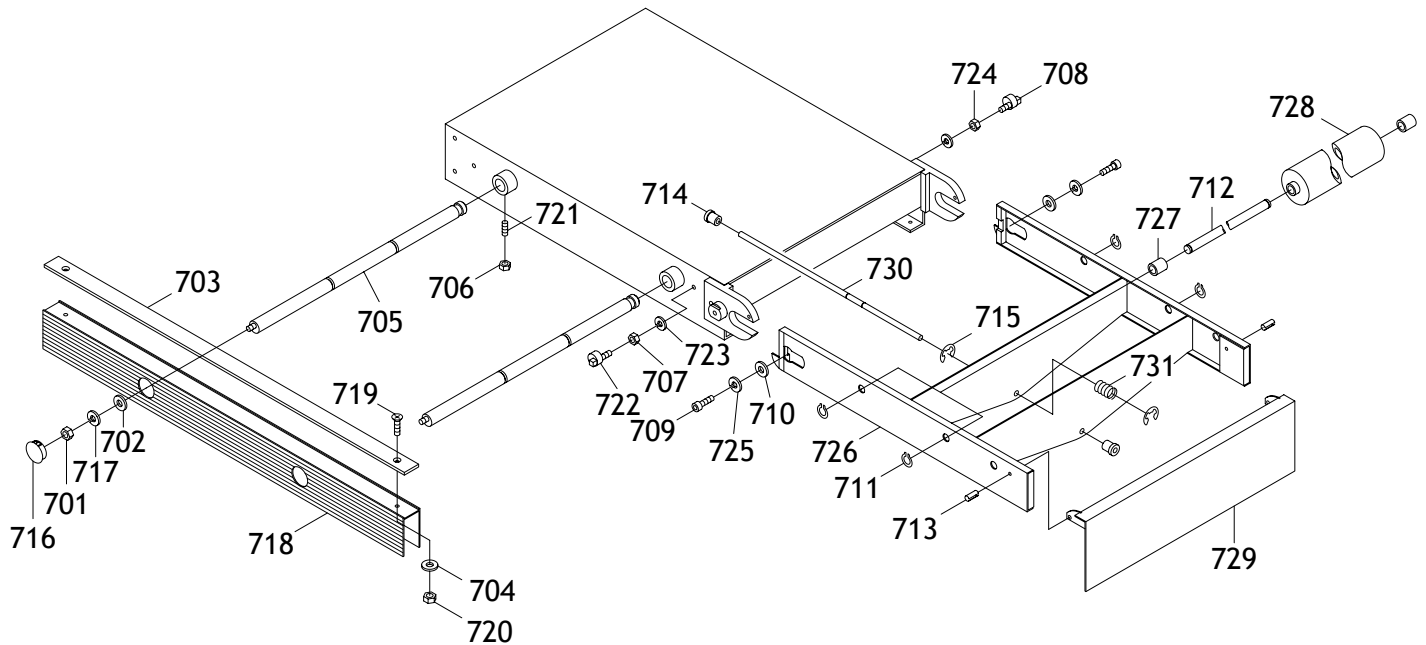
REF	PART #	DESCRIPTION
501	XPS12M	PHLP HD SCR M3-.5 X 6
502	X1689502	SILENCER 1/8"
503	X1689503	PLASTIC CONNECT C6-1/8"
504	XPS50M	PHLP HD SCR M3-.5 X 12
505	X1689505	PLASTIC CONNECT C6-1/8"
506	XPS52M	PHLP HD SCR M4-.7 X 20
507	X1689507	PLASTIC CONNECT 6T
508	XPN08	HEX NUT 3/8"-16
509	X1689509	LIMIT SWITCH 8166
510	X1689510	PLASTIC CONNECT 1/8" X 3/8"
511	X1689511	PLASTIC CONNECT L6-1/8"
512	X1689512	PLASTIC CONNECT B6-1/8"
513	X1689513	SILENCER 1/8"
514	XPS51M	PHLP HD SCR M4-.7 X 30
515	X1689515	AIR COCK 1/4" X 5/16"
516	XPS14M	PHLP HD SCR M6-1.0 X 12
517	X1689517	PLASTIC CONNECT C6-1/8"
518	X1689518	SWITCHING VALVE
519	XPS12M	PHLP HD SCR M3-.5 X 6
520	X1689520	AIR EYELET (OUT) 3/8"

REF	PART #	DESCRIPTION
521	X1689521	SENSOR PIN
522	XPS34	PHLP HD SCR M3-.5 X 25
523	X1689523	AIR VALVE 1/8"
524	X1689524	PLASTIC CONNECT L6-1/8"
525	X1689525	PLASTIC CONNECT 6Y
526	X1689526	PLASTIC CONNECT C6-1/8"
527	X1689527	BUSHING 10MM
528	X1689528	AIR VALVE 1/8"
529	X1689529	SOLENOID VALVE 1/8" X 220V
530	X1689530	PLASTIC CONNECT L6-1/8"
531	X1689531	CONNECTOR
532	XPN04M	HEX NUT M4-0.7
533	X1689533	PRESSURE GAUGE K-1000FR2
534	XPW03M	FLAT WASHER 6MM
535	X1689535	TENSION CYLINDER 63 X 40ST
536	X1689536	SILENCER 1/4"
537	X1689537	PLASTIC CONNECT L6-1/8"
538	X1689538	BRASS NUT 3/8"-UNF X 1/4"
539	X1689539	PLASTIC CONNECT L6-1/4"
540	X1689540	SWITCH VALVE BLOCK



REF	PART #	DESCRIPTION
601	X1689602	LOCK
602	X1689602	TERMINAL BOARD
603	X1689603	GROUND WIRE PANEL
604	X1689604	MAGNETIC CONTACT
605	X1689605	MAGNETIC CONTACT
606	X1689606	MAGNETIC CONTACT
608	X1689608	CURRENT TRANSFORMER
609	X1689609	CONTROL PANEL
610	X1689610	TERMINAL BOARD
611	X1689611	TERMINAL BOARD
612	X1689612	WIRE SLEEVE

REF	PART #	DESCRIPTION
613	X1689613	WIRE SLEEVE
614	X1689614	WIRE SLEEVE
615	X1689615	WIRE CONNECTOR (IN)
616	XPN01M	HEX NUT M6-1.0
617	X1689617	CONTROL BOX
618	X1689618	WIRE SLEEVE
619	X1689619	WIRE SLEEVE
620	X1689620	WIRE SLEEVE
621	XPS24M	PHLP HD SCR M6-1.0 X 10
622	X1689622	LOOM COVER



REF	PART #	DESCRIPTION
701	XPN03	HEX NUT M8-1.25
702	XPW01M	FLAT WASHER 8MM
703	X1689703	SUPPORT LINING
704	XPW03M	FLAT WASHER 6MM
705	X1689705	RETRACTABLE ROD
706	XPN02M	HEX NUT M10-1.5
707	XPN27M	HEX NUT LH M10-1.5
708	X1689708	ECCENTRIC SHAFT RH
709	XPSB62M	CAPSCREW M10-1.5 X 12
710	XPW04M	FLAT WASHER 10MM
711	XPR47M	EXT RETAINING RING 13MM
712	X1689712	ROLLER SHAFT
713	XPRP28M	PIN 5 X 40MM
714	X1689714	KNOB
715	XPR39M	RETAINING RING S8
716	X1689716	PLASTIC COVER

REF	PART #	DESCRIPTION
717	XPLW04M	LOCK WASHER 8MM
718	X1689718	TABLE SUPPORT
719	XPS11M	PHLP HD SCR M6-1.0 X 16
720	XPN01M	HEX NUT M6-1.0
721	XPSS10M	SETSCREW M10-1.5 X 20
722	X1689722	ECCENTRIC SHAFT LH
723	XPLW06M	LOCK WASHER 10MM
724	XPN02M	HEX NUT M10-1.5
725	XPLW06M	LOCK WASHER 10MM
726	X1689726	INFEEED TABLE FRAME
727	X1689727	ROLLER BUSHING
728	X1689728	CONVEYOR TABLE
729	X1689729	EMERGENCY BRAKE PANEL
730	X1689730	BRAKE ROD
731	X1689731	SPRING