



**MODELS 965SS, 1065SS,  
1065SSE, 1075SSE**

**OPERATING INSTRUCTIONS AND PARTS MANUAL**

*Thank you for purchasing a Hotsy Pressure Washer. This manual covers the operation and maintenance of your pressure washer. All information in this manual is based on the latest product information available at the time of printing. Hotsy, Inc. reserves the right to make changes at any time without incurring any obligation.*

*Read instructions carefully before attempting to assemble, install, operate or service this pressure washer. Failure to comply with instructions could result in personal injury and/or property damage!*



**SERIAL NUMBER:**

**DATE PURCHASED:**

**FOR SALES AND SERVICE, PLEASE CONTACT:**

### 965SS SPECIFICATIONS

- Pump Volume At Pump Head: 3.0 GPM/180 GPH
- Pump Pressure At Pump Head: 3000 PSI
- Burner Type: Fuel Oil Fired, 248,000 BTU/Hr.
- Burner Fuel Pressure: 205 PSI Max.
- Machine Displacement: 270cc
- Exhaust Stack Size: 8"
- Machine Dimensions: Length=47",  
Width=31", Height=47"

### 1065SSE SPECIFICATIONS

- Pump Volume At Pump Head: 3.5 GPM/210 GPH
- Pump Pressure At Pump Head: 3000 PSI
- Burner Type: Fuel Oil Fired, 309,900 BTU/Hr.
- Burner Fuel Pressure: 200 PSI Max.
- Machine Displacement: 389cc Electric Start
- Exhaust Stack Size: 8"
- Machine Dimensions: Length=47",  
Width=31", Height=49"

### 1065SS SPECIFICATIONS

- Pump Volume At Pump Head: 3.5 GPM/210 GPH
- Pump Pressure At Pump Head: 3000 PSI
- Burner Type: Fuel Oil Fired, 309,900 BTU/Hr.
- Burner Fuel Pressure: 200 PSI Max.
- Machine Displacement: 337cc
- Exhaust Stack Size: 8"
- Machine Dimensions: Length=47",  
Width=31", Height=49"

### 1075SSE SPECIFICATIONS

- Pump Volume At Pump Head: 3.8 GPM/228 GPH
- Pump Pressure At Pump Head: 3500 PSI
- Burner Type: Fuel Oil Fired, 309,900 BTU/Hr.
- Burner Fuel Pressure: 200 PSI Max.
- Machine Displacement: 389cc Electric Start
- Exhaust Stack Size: 8"
- Machine Dimensions: Length=47",  
Width=31", Height=49"

# CONTENTS

Important Safety Information	5-6
Component Identification	7
Assembly Instructions	8-9
Installation Instructions	10
Operation Instructions	11-12
General Cleaning Techniques & Storage	13
Maintenance	14
Troubleshooting	15-17
Exploded Views & Parts List	18-20
Control Panel Assembly & Parts List	21
Fuel Tank Assembly & Parts List	22
Hose, Spray Gun & Wand Assembly & Parts List	22
Burner Assembly & Parts List	23
Burner Exploded View and Parts List	24-25
Pump Assembly & Parts List - 965SS	26
Pump Assembly & Parts List, 1065SS, 1065SSE, 1075SSE	27
Coil Outlet Assembly & Parts List	
965SS, 1065SS, 1065SSE, 1075SSE	28
Coil Inlet Parts Exploded View and Parts List	29
HS.3 Pump Exploded View and Parts List	30-31
HG.1 Pump Exploded View and Parts List	32-33
Unloader Exploded View and Parts List	34
VBT Unloader Exploded View and Parts List	35
Wiring Diagrams	36-37

Model Number \_\_\_\_\_

Serial Number \_\_\_\_\_

Date of Purchase \_\_\_\_\_

The model and serial numbers will be found on a decal attached to the pressure washer. You should record both serial number and date of purchase and keep in a safe place for future reference.

# INTRODUCTION & IMPORTANT SAFETY INFORMATION

Thank you for purchasing this Pressure Washer.

We reserve the right to make changes at any time without incurring any obligation.

## Owner/User Responsibility:

The owner and/or user must have an understanding of the manufacturer's operating instructions and warnings before using this pressure washer. Warning information should be emphasized and understood. If the operator is not fluent in English, the manufacturer's instructions and warnings shall be read to and discussed with the operator in the operator's native language by the purchaser/owner, making sure that the operator comprehends its contents.

Owner and/or user must study and maintain for future reference the manufacturers' instructions.

The operator must know how to stop the machine quickly and understand the operation of all controls. Never permit anyone to operate the engine without proper instructions.

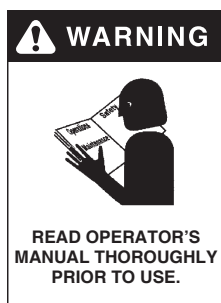
## SAVE THESE INSTRUCTIONS

This manual should be considered a permanent part of the machine and should remain with it if machine is resold.

When ordering parts, please specify model and serial number. Use only identical replacement parts.

This machine is to be used only by trained operators.

## IMPORTANT SAFETY INFORMATION



**WARNING:** To reduce the risk of injury, read operating instructions carefully before using.

1. Read the owner's manual thoroughly. Failure to follow instructions could cause malfunction of the machine and result in death, serious bodily injury and/or property damage.
2. Know how to stop the machine and bleed pressure quickly. Be thoroughly familiar with the controls.
3. Stay alert — watch what you are doing.



**WARNING:** Keep wand, hose, and water spray away from electric wiring or fatal electric shock may result.

4. All installations must comply with local codes. Contact your electrician, plumber, utility company or the selling distributor for specific details.



**WARNING:** This machine exceeds 85 db appropriate ear protection must be worn.



**WARNING:** High pressure spray can cause paint chips or other particles to become airborne and fly at high speeds. To avoid personal injury, eye, hand and foot safety devices must be worn.

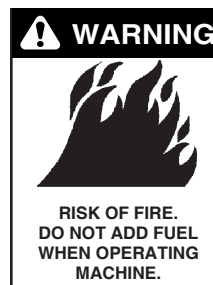
5. Eye, hand, and foot protection must be worn when using this equipment.

6. Keep operating area clear of all persons.



**WARNING:** Flammable liquids can create fumes which can ignite, causing property damage or severe injury.

**WARNING:** Risk of explosion — Operate only where open flame or torch is permitted.



**WARNING:** Risk of fire — Do not add fuel when the product is operating or still hot.

**WARNING:** Do not use gasoline crankcase draining or oil containing gasoline, solvents or alcohol. Doing so will result in fire and/or explosion.

**WARNING:** Risk of fire — Do not Spray flammable liquids.

# IMPORTANT SAFETY INFORMATION

**WARNING:** This product contains chemicals known to the state of California to cause cancer and birth defects or other reproductive harm. Operation of this equipment may create sparks that can start fires around dry vegetation. A spark arrestor may be required. The operator should contact: Local fire agencies for laws or regulations relating to fire prevention requirements.

7. Allow engine to cool for 1-2 minutes before refueling. If any fuel is spilled, make sure the area is dry before testing the spark plug or starting the engine. (Fire and/or explosion may occur if this is not done.)

Gasoline engines on mobile or portable equipment shall be refueled:

- a. outdoors;
- b. with the engine on the equipment stopped;
- c. with no source of ignition within 10 feet of the dispensing point; and
- d. with an allowance made for expansion of the fuel should the equipment be exposed to a higher ambient temperature.

In an overfilling situation, additional precautions are necessary to ensure that the situation is handled in a safe manner.

**WARNING: Risk of injury. Disconnect battery ground terminal before servicing.**

8. When in use, do not place machine near flammable objects as the engine is hot.
9. Oil burning appliances shall be installed only in locations where combustible dusts and flammable gases or vapors are not present. Do not store or use gasoline near this machine.
10. Use No. 1 or No. 2 heating oil (ASTM D306) only. **NEVER** use gasoline in your fuel oil tank. Gasoline is more combustible than fuel oil and could result in a serious explosion. **NEVER** use crankcase or waste oil in your burner. Fuel unit malfunction could result from contamination.
11. Do not confuse gasoline and fuel oil tanks. Keep proper fuel in proper tank.



**WARNING: Risk of injury. Hot surfaces can cause burns. Use only designated gripping areas of spray gun and wand. Do not place hands or feet on non-insulated areas of the pressure washer.**

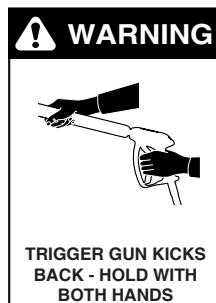
12. Transport/Repair with fuel tank EMPTY or with fuel shut-off valve OFF.



**CAUTION: Hot discharge fluid. Do not touch or direct discharge stream at persons.**

**WARNING: This machine produces hot water and must have insulated components attached to protect the operator.**

13. To reduce the risk of injury, close supervision is necessary when a machine is used near children. Do not allow children to operate the pressure washer. **This machine must be attended during operation.**



**WARNING: Grip cleaning wand securely with both hands before starting. Failure to do this could result in injury from a whipping wand.**

14. Never make adjustments on machine while in operation.

15. Be certain all quick coupler fittings are secured before using pressure washer.



**WARNING: High pressure developed by these machines will cause personal injury or equipment damage. Keep clear of nozzle. Use caution when operating. Do not direct discharge stream at people, or severe injury or death will result.**



**WARNING: Protect machine from freezing.**

16. To keep machine in best operating conditions, it is important you protect machine from freezing. Failure to protect machine from freezing could cause malfunction of the machine and result in death, serious bodily injury, and/or property damage. Follow storage instructions specified in this manual.

17. Inlet water must be clean fresh water and no hotter than 90°F.

## IMPORTANT SAFETY INFORMATION

### WARNING



RISK OF ASPHYXIATION: USE THIS PRODUCT ONLY IN A WELL VENTILATED AREA.

**WARNING: Risk of asphyxiation. Use this product only in a well ventilated area.**

18. Avoid installing machines in small areas or near exhaust fans. Adequate oxygen is needed for combustion or dangerous carbon monoxide will result.

19. Manufacturer will not be liable for any changes made to our standard machines or any components not purchased from us.
20. The best insurance against an accident is precaution and knowledge of the machine.

### WARNING



RISK OF INJURY FROM FALLS WHEN USING LADDER.

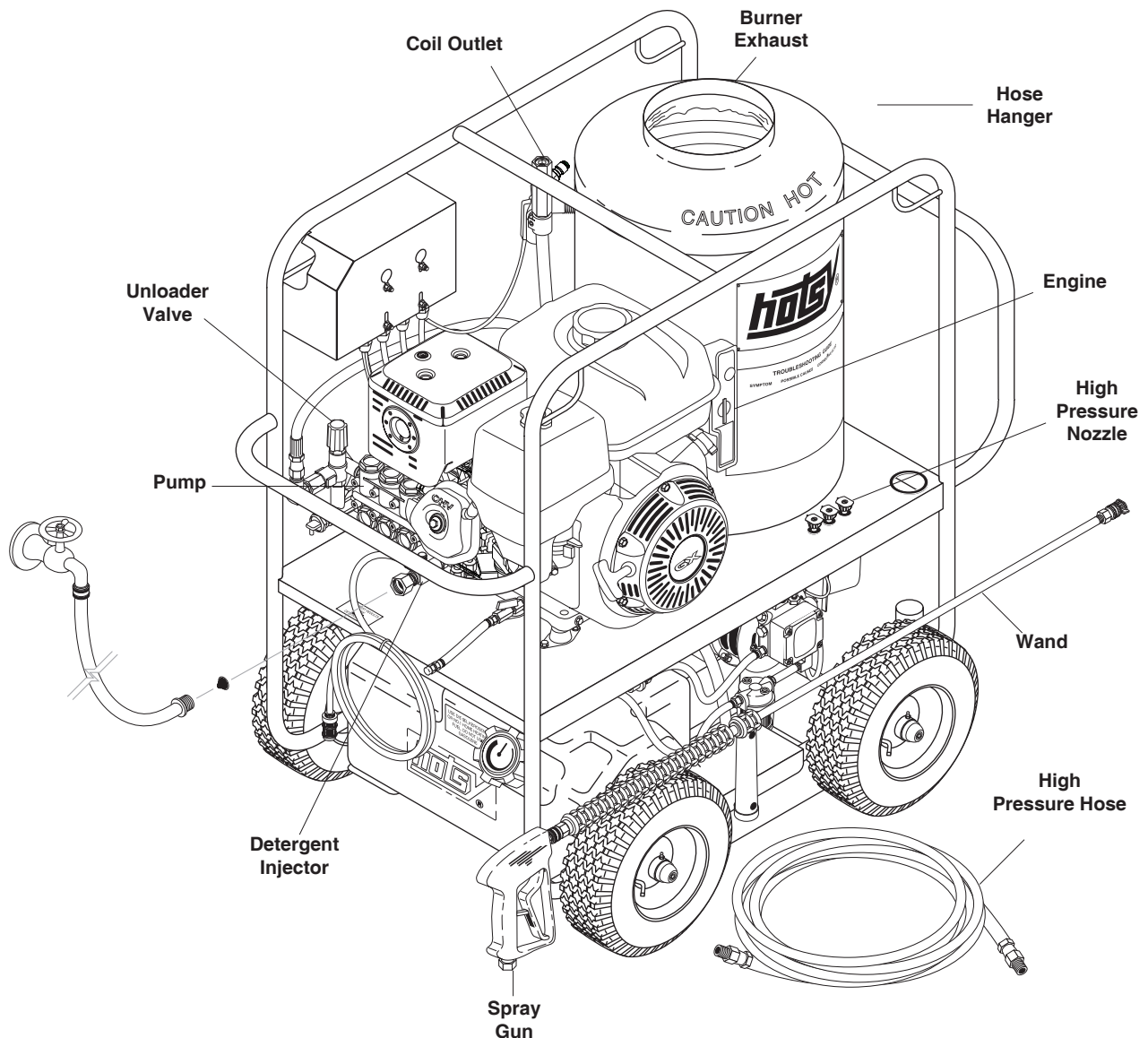
**WARNING: Be extremely careful when using a ladder, scaffolding or any other relatively unstable location. The cleaning area should have adequate slopes and drainage to reduce the possibility of a fall due to slippery surfaces.**

21. Do not allow acids, caustic or abrasive fluids to pass through the pump.
22. Never run pump dry or leave spray gun closed longer than 1-2 minutes.
23. Machines with shut-off spray gun should not be operated with the spray gun in the off position for extensive periods of time as this may cause damage to the pump.
24. Protect discharge hose from vehicle traffic and sharp objects. Inspect condition of high pressure hose before using or bodily injury may result.
25. Before disconnecting discharge hose from water outlet, turn burner off and open spray gun to allow water to cool below 100° before stopping the machine. Then open the spray gun to relieve pressure. Failure to properly cool down or maintain the heating coil may result in a steam explosion.
26. Do not overreach or stand on unstable support. Keep good footing and balance at all times.
27. Do not operate this machine when fatigued or under the influence of alcohol, prescription medications, or drugs.
28. In oil burning models, use only kerosene, No. 1 home heating fuel, or diesel. If diesel is used, add a soot remover to every tankful.



**Follow the maintenance instructions specified in the manual.**

# COMPONENT IDENTIFICATION



**Pump** — Delivers a specific gpm to the high pressure nozzle which develops pressure.

**Spray Gun** — Controls the application of water and detergent onto cleaning surface with trigger device. Includes safety latch.

**Detergent Injector** — Allows you to siphon and mix detergents.

**Wand** — Must be connected to the spray gun.

**High Pressure Hose** — Connect one end to water pump high pressure discharge nipple and the other end to spray gun.

**Unloader Valve** — Safety device which, when the spray gun closes, redirects flow of water.

**Note:** If trigger on spray gun is released for more than 2 minutes, water may leak from the pump protector. Warm water will discharge from pump protector onto floor. This system prevents internal pump damage.

# ASSEMBLY INSTRUCTIONS

## Unpacking

Unpack carefully. Wear safety glasses or goggles while unpacking, assembling, or operating pressure washer. If there are missing components or hidden damage, immediately contact carrier concerning discrepancies.

1. Cut strapping band from pressure washer and pallet.
2. Remove pressure washer from pallet.

## Parts Included

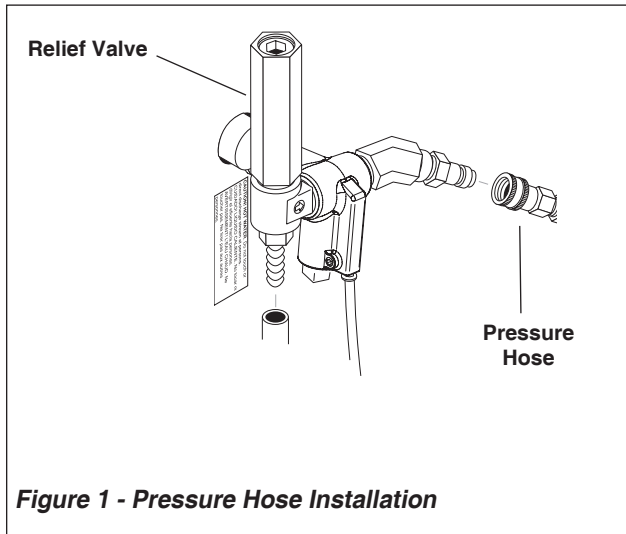
- Pressure Washer
- Pressure Hose
- Wand
- Operating Instructions and Parts Manual
- Gasoline Engine Manual
- Parts Bag Containing:
  - Pressure Nozzles (3 Ea.)
  - Trigger Gun
  - Battery Terminals (2 Ea.)

## Tools Required

- 8" Adjustable Wrench
- Teflon Tape
- Flat Blade Screwdriver

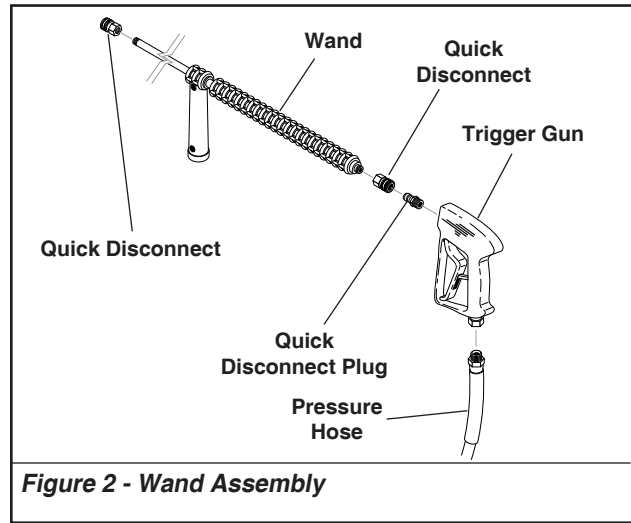
## Pressure Hose, Trigger Gun and Wand

1. When assembling, use teflon tape on all threaded plumbing connections to prevent leakage.
2. Install the pressure hose on the pressure washer as shown in **Figure 1**.
3. Assemble wand components as shown in **Figure 2**.



**Figure 1 - Pressure Hose Installation**

**NOTE:** The pressure nozzle is not to be installed at



**Figure 2 - Wand Assembly**

this time.

4. Make sure all plumbing connections are tight.

## Battery

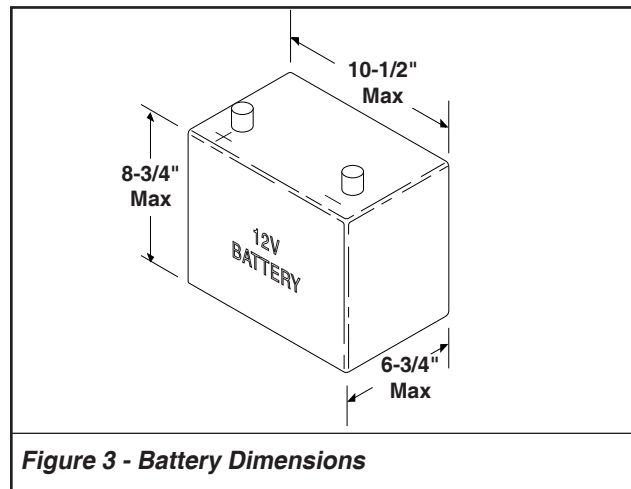
**WARNING:** Wear eye, hand and skin protection when handling or connecting battery.

**WARNING:** Batteries generate explosive gases during normal battery operation.

**WARNING:** DO NOT expose the battery to flame or sparks as these gases may ignite.

**WARNING:** Battery fluid is highly acidic. If battery fluid contacts skin or clothing, wash immediately with soap and water. If battery fluid enters eye, immediately flood eye with running cold water for at least 15 minutes and get immediate medical attention.

1. **Electric Start Machines Only:** Place battery in battery box (battery not included). Use a standard 12 volt automotive battery. Select a battery similar to the one in **Figure 3** for proper fit and installation.
2. Install the battery terminals as shown in



**Figure 3 - Battery Dimensions**



# ASSEMBLY & INSTALLATION INSTRUCTIONS

Figure 4.

3. To reduce the possibility of sparking attach the wires

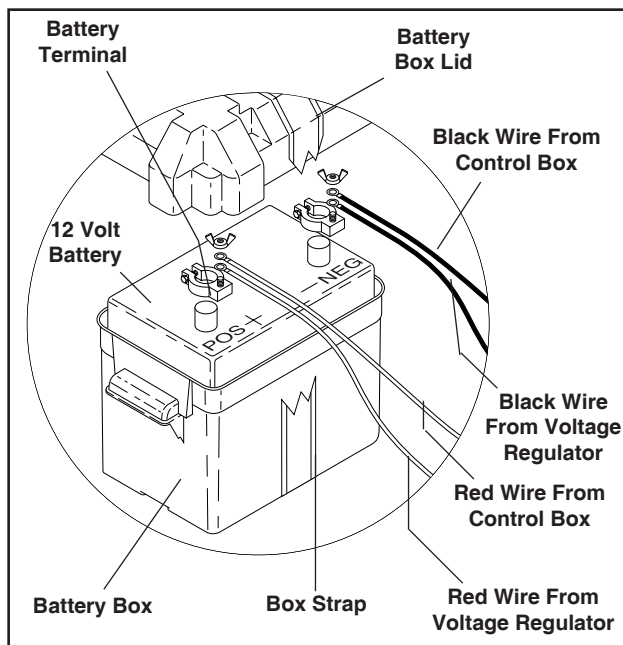


Figure 4 - Battery Installations/Connections

to the battery in the following order. Refer to **Figure 4**. First attach the red wire from the voltage regulator and the red wire from the control box to the positive "+" terminal of battery. Next, attach the black wire from the voltage regulator and the black wire from the control box to the negative "-" terminal of the battery. To disconnect the battery remove the wires in the opposite order as installed. Install battery box cover and fasten in place.

## INSTALLATION

### Responsibility

The owner and/or user must have an understanding of the manufacturer's operating instructions and warnings before using this Hotsy pressure washer. Warning information should be emphasized and understood. If the operator is not fluent in English, the manufacturer's instructions and warnings shall be read to and discussed with the operator in the operator's native language by the purchaser/owner, making sure that the operator comprehends its contents.

Owner and/or user must study and maintain for future reference the manufacturers' instructions.

***This manual should be considered a permanent part of the machine and should remain with it if machine is resold.***

***When ordering parts, please specify model and serial number.***

### Getting Started

***IMPORTANT: Proper initial installation of equipment will assure more satisfactory performance, longer service life, and lower maintenance cost.***

***IMPORTANT: The use of a backflow preventer on the water supply hose is recommended and may be required by local code.***

The pressure washer should be run on a level surface and in a protected area where it is not readily influenced by outside forces such as strong winds, freezing temperatures, rain, etc. The pressure washer should be located to assure easy access for filling of fluids, adjustments and maintenance. Normal precautions should be taken by the operator to prevent moisture from reaching the pressure washer. It is recommended that a partition be made between the wash area and the pressure washer to prevent direct spray from the wand from coming in contact with the pressure washer. Moisture reaching the equipment will reduce the pressure washer's service life. All installations must comply with the local codes covering such installations.

### Venting

***CAUTION: All venting must be in accordance with applicable federal and state laws, and local ordinances. Consult local heating contractors.***

If the pressure washer is to be used in an enclosed area, a flue must be installed to vent burner and engine exhaust to the outside atmosphere. Be sure the flue is the same size as the burner exhaust vent on the pressure washer. See **Component Identification** for location. Poor draft will cause the pressure washer to soot and not operate properly. When selecting the location for installation, beware of poorly ventilated locations or areas where exhaust fans may cause an insufficient supply of oxygen. Proper combustion can only be obtained when there is a sufficient supply of oxygen available for the amount of fuel being burned. If it is necessary to install the machine in a poorly ventilated area, outside fresh air may have to be piped to the burner and a fan installed to bring sufficient air into the machine. Locate the pressure washer so that the flue will be as straight as possible and protrude through the roof at a proper height and location to provide adequate draft. This oil fired pressure washer must have a draft regulator installed in the flue (available from most heating contractors). A draft regulator will permit proper upward flow of exhaust flue gases.

In addition, the pressure washer should never be operated in an enclosed area where high ambient temperatures exist. High ambient temperatures (above 100° F) can cause engine oil failure and will greatly reduce the engine's performance.

# INSTALLATION INSTRUCTIONS

## Gasoline Engine

The gasoline engine is preset for operation at altitudes below 1000 feet above sea level. If operated at higher altitudes, it may be necessary to install a high altitude main jet in the carburetor. Contact a local authorized engine sales and service center for details.

## Pre-Operation Check

- Pump Oil (SAE 30W non-detergent oil)
- Cold Water Supply (6 gpm • 5/8" • 20 psi)
- Hose, wand, nozzle (nozzle size per serial plate)
- Water filter (intact, nonrestrictive)
- Engine fuel (unleaded 86 or higher)
- Engine oil (SAE 10W30)
- Burner fuel (No. 1 or No. 2 home heating fuel or diesel)

If the desired position cannot be obtained using only the air shutter, lock the air shutter in as close a position as can be obtained, then repeat the above procedure on the air band setting.

**CAUTION:** *If white smoke appears from burner exhaust vent during start-up or operation, discontinue use and readjust air bands.*

**NOTE:** *If a flue is installed, have a professional serviceman adjust your burner for a #1 or #2 smoke spot on the Bacharach scale.*

## Crossfire Oil Burner

**Burner Air Adjustment:** The oil burner on this machine is preset for operation at altitudes below 500 feet. If operated at higher altitudes, it may be necessary to adjust the air band for a #1 or #2 smoke spot on the Bacharach scale.

To adjust, start machine and turn burner ON. Loosen two locking screws found on the air band and close air band until black smoke appears from burner exhaust vent. Note air band position. Next, slowly open the air band until white smoke just starts to appear. Turn air band halfway back to the previously noted position. Tighten locking screws.

## Burner Air Adjustment:

The oil burner on this machine is preset for operation at altitudes below 500 feet. If operated at higher altitudes, it may be necessary to adjust the air band for a #1 or #2 smoke spot on the Bacharach scale.

To adjust, start machine and turn burner ON. Loosen two locking screws found on the air band and close air band until black smoke appears from burner exhaust vent. Note air band position. Next, slowly open the air band until white smoke just starts to appear. Turn air band halfway back to the previously noted position. Tighten locking screws.

- For higher altitudes, the air band opening may need to be increased; for lower altitude, the air band may need to be decreased.
- For higher humidity, the air band opening may need to be increased; for lower relative humidity, the air band may need to be decreased.
- For higher ambient temperatures the air band opening may need to be increased; for lower ambient temperatures, the air band opening may need to be decreased.

Adjust to your operating location's environment as-needed for best smoke spot and performance compliant with local, state, and federal regulations.

# OPERATION INSTRUCTIONS

## Before Starting

1. Read all manuals provided with this pressure washer. Become familiar with location and function of all operating and safety controls.

**WARNING:** Check hoses, fittings, wand, trigger gun and fuel connections daily for signs of wear, cracks and looseness, and replace as required.

2. Connect water supply hose to the garden hose connector located on pump. The water faucet and supply hose must be capable of providing a minimum of 3.5 gallons per minute (GPM).
3. Fill oil burner fuel tank. Use kerosene, #1 grade home heating oil, #1 or #2 diesel fuel. **DO NOT USE GASOLINE, CRANKCASE OIL DRAININGS, OR WASTE OIL.**

**WARNING:** DO NOT fill engine fuel tank while engine is running or hot. Let engine cool before refueling or spontaneous fire may result. Fuel spillage or vapors could ignite if engine is hot.

4. Fill the engine fuel tank. Do not overfill, fill to the bottom of filler neck only. Use lead free gasoline minimum 86 octane. **DO NOT** use gasoline containing more than 15% MTBE, 5% methanol or 10% ethanol. Refer to the provided gasoline engine manual for additional details.
5. Check pump and engine oil levels.
6. If detergents are to be used, only use detergents intended for pressure washers. Follow instructions on the detergent container.

**IMPORTANT:** Before installing pressure nozzle on initial start-up, turn on the water supply and allow water to run from the end of the wand until clear to prevent the pressure nozzle from clogging.

**IMPORTANT:** If the pressure washer has not been used for an extended period of time, remove the pressure nozzle from the end of the wand and turn on water supply. Allow water to run from the end of the wand until clear.

7. Install the proper pressure nozzle for your cleaning needs on the end of wand, refer to **Figure 6**.

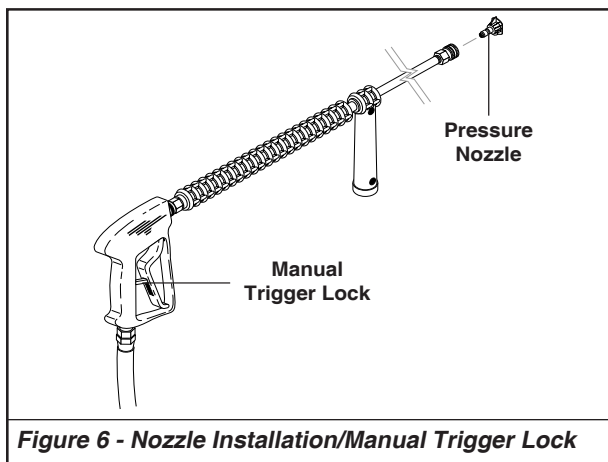


Figure 6 - Nozzle Installation/Manual Trigger Lock

**IMPORTANT:** The trigger gun provided with this pressure washer is equipped with a manual trigger lock to prevent accidental operation of the trigger gun. (Refer to Figure 6.) The manual trigger lock should be used whenever the trigger gun is not in use.

## To Start

**IMPORTANT:** The water must be turned on before starting. Running the pump dry will cause damage and void warranty.

**IMPORTANT:** DO NOT allow the machine to run with trigger of the trigger gun released for more than 2 minutes at any one time or damage to pump may occur.

1. Turn ON water supply.
2. Hold wand firmly, release trigger of trigger gun.
3. Place engine ON/OFF switch in the ON position.
4. Open fuel shutoff valve (if so equipped). Move choke lever to FULL CHOKE position, (choke may not be needed on warm engine). Move throttle lever to HALF THROTTLE position.
5. Pull the rope starter slowly until resistance is felt, then pull briskly. Do not allow the rope starter to snap back against the engine. Return it gently to prevent damage to the starter.
6. When the engine starts, move choke lever until engine runs smoothly. When engine warms, move choke lever to NO CHOKE position. Move throttle lever to FULL THROTTLE position.

**IMPORTANT:** To allow for proper battery charging, the throttle control must be kept in the full throttle position during operation.

**NOTE:** If engine fails to start, refer to Troubleshooting Guide in this manual.

7. Squeeze trigger of trigger gun and allow air to purge from system.
8. If hot water is desired, adjust the thermostat to the proper temperature and turn burner switch ON. The burner will light immediately with a small puff of smoke. You may need to initially adjust your burner for peak performance. See **Oil Burner** section under **Installation**. When the trigger of the trigger gun is released or when the thermostat temperature setting is reached, the burner will automatically turn off.

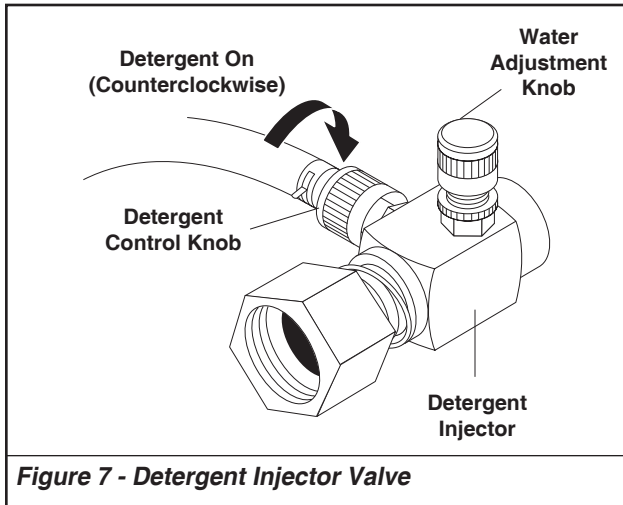
## To Clean

The detergent injector valve operates by reducing the volume of water, thus a vacuum is achieved and detergent is drawn into the system. **DO NOT** reduce the water inlet flow so the pump cavities due to water starvation. Operating a pump with insufficient water will damage the pump seals.

1. Insert detergent inlet line into container of mixed detergent.

## OPERATION INSTRUCTIONS

2. Completely open detergent control knob located on the side of the detergent injector valve. Refer to **Figure 7**.



3. Start the detergent suction by rotating the water adjustment knob of the detergent injector valve. Refer to **Figure 7**. Turning the knob counterclockwise will pull detergent into the system. The flow may be observed through the clear detergent line. Secure the knob position with the knurled nut.
4. The side detergent control knob can now be adjusted to meter the desired amount of detergent.
5. Wash from the bottom to the top, using side to side motions. This washes away heavy dirt and allows the detergent to soak as you work toward the top.
6. Do not wash at a 90° angle to the work (straight at it). This will allow water to splash back at you and reduces your cleaning power. Wash at a 30° to 60° angle to the work. This will allow the water to splash away from you and the water will wash the dirt away faster and easier.

7. Use the width of the spray pattern to wash in a wide path. Overlap spray paths for complete coverage washing from side to side, using slow, steady motions.
8. The nozzle should be 12" to 24" from work, closer for tough areas. Be careful on painted or delicate surfaces, the pressure may damage surface if nozzle is too close.
9. Small parts should be washed in a basket so the pressure does not push them away. Larger, lightweight parts should be clamped down so the pressure does not push them away.
10. Turn the side detergent control knob clockwise (CW) for detergent decrease. Wait for detergent to clear. Always rinse with cold water after using detergent. Rinse from the top to the bottom to prevent detergent from dripping onto a rinsed area. For the best results, contact your Hotsy dealer to help you select the best detergent for your application.

### To Stop

1. If detergents were used, draw clear water through the detergent inlet line to purge detergent. Failure to do so may clog detergent injector valve.
2. If burner was used, turn OFF burner switch and allow pump to run cold water through coil for several minutes.
3. Move throttle lever to idle position.
4. Turn engine ON/OFF switch to the OFF position.
5. Close fuel shutoff valve (if so equipped).
6. Turn water supply OFF.
7. Squeeze trigger of trigger gun to relieve system pressure.

# GENERAL CLEANING TECHNIQUES & STORAGE

Pre-rinse cleaning surface with fresh water. Place detergent suction tube directly into cleaning solution and apply to surface at low pressure (for best results, limit your work area to sections approximately 6 feet square and always apply detergent from bottom to top). Allow detergent to remain on surface 1-3 minutes. Do not allow detergent to dry on surface. If surface appears to be drying, simply wet down surface with fresh water. If needed, use brush to remove stubborn dirt. Rinse at high pressure from top to bottom in an even sweeping motion keeping the spray nozzle approximately 1 foot from cleaning surface. Use overlapping strokes as you clean and rinse any surface. For best surface cleaning action spray at a slight angle.

## Recommendations:

- Before cleaning any surface, an inconspicuous area should be cleaned to test spray pattern and distance for maximum cleaning results.
- If painted surfaces are peeling or chipping, use extreme caution as pressure washer may remove the loose paint from the surface.
- Keep the spray nozzle a safe distance from the surface you plan to clean. High pressure wash a small area, then check the surface for damage. If no damage is found, continue to pressure washing.

## ⚠ CAUTION - Never use:

- Bleach, chlorine products and other corrosive chemicals
- Liquids containing solvents (i.e., paint thinner, gasoline, oils)
- Tri-sodium phosphate products
- Ammonia products
- Acid-based products

These chemicals will harm the machine and will damage the surface being cleaned.

## RINSING

It will take a few seconds for the detergent to clear. Apply safety latch to spray gun. Select and install desired high pressure nozzle. **NOTE:** You can also stop detergent from flowing by removing detergent siphon tube from bottle.

## STORAGE

**DANGER: DO NOT store flammable liquids (gasoline, diesel fuel, solvents, etc.) near pressure washer, or in non-ventilated areas.**

Protect from freezing by storing in a heated area, or by flushing the system with antifreeze (use an automotive engine antifreeze or windshield washer solvent to antifreeze). To flush the system with antifreeze, the following steps are to be followed:

1. Connect water supply hose to the garden hose connector located on the pump. Turn on water supply.
2. Place the detergent inlet line into a container of

antifreeze.

3. Hold wand firmly, release trigger of trigger gun.
4. Start engine. Place throttle lever in Full Throttle position.
5. Squeeze trigger of trigger gun and allow water to flow from the end of the wand. Watch for antifreeze to be drawn through the detergent inlet line. Allow the antifreeze to be drawn into the system for 5 to 10 seconds.
6. Release the trigger of the trigger gun and stop engine.
7. Turn off water supply and disconnect water supply hose from the pump.
8. Attach a short length of hose (approximately 3 feet long) to the garden hose connector located on the pump. Install a funnel in the other end of the hose as

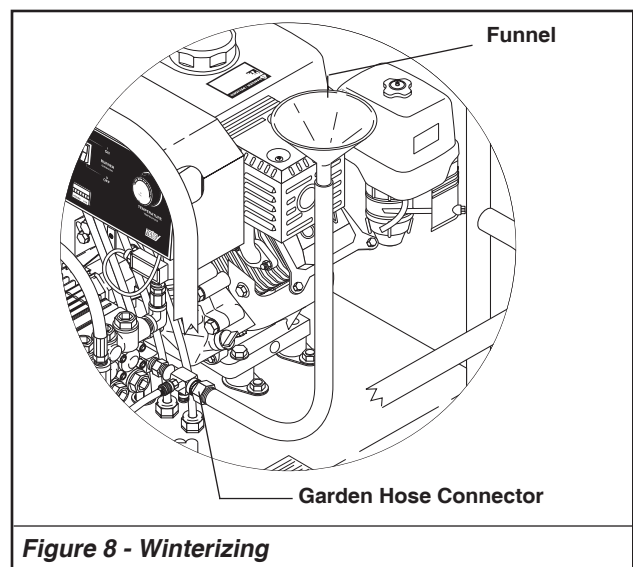


Figure 8 - Winterizing

shown in Figure 8.

9. Hold wand firmly, release the trigger of the trigger gun.
10. Start engine. Place throttle lever in the idle position.
11. Squeeze trigger on trigger gun.
12. Slowly pour antifreeze into the funnel. Continue to add antifreeze until antifreeze flows from the end of the wand.
13. Squeeze and release the trigger of the trigger gun several times to antifreeze the unloader system.
14. Release the trigger of the trigger gun. Stop engine.
15. Squeeze the trigger of the trigger gun to relieve system pressure.

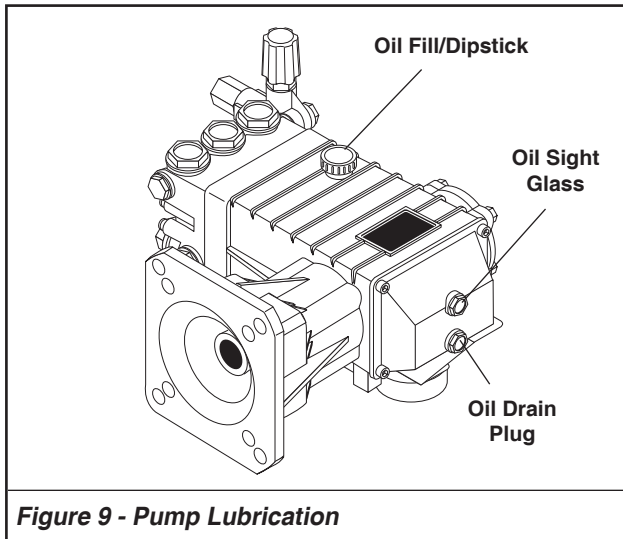
For added protection, after anti freezing, disconnect the pressure hose from the machine and remove the coil drain plug (refer to **Component Identification** for location.) After coil has drained, replace pressure hose and coil drain plug. If the pressure washer is not to be used for an extended length of time, it is recommended that the system be flushed with antifreeze for rust protection. Refer to the **Gasoline Engine Manual** for engine storage information.

## MAINTENANCE

**WARNING:** *Unauthorized machine modification or use of non-approved replacement parts may cause personal injury and/or property damage and will void the manufacturer warranty.*

### Pump

**Lubrication:** To lubricate pump, use 30W (non-detergent) oil for pump crankcase. Crankcase must be filled to center of red dot on oil gauge found on the side of the pump, refer to **Figure 9**. During the break-in-period, make sure the oil is changed after the first 40 hours of operation. After that, replace oil every 3 months or 500 hours of operation, whichever comes first.



**Figure 9 - Pump Lubrication**

### Proper Pump Care:

- **DO NOT** pump acids.
- **DO NOT** allow pump to run dry.
- Winterize if storing in freezing temperatures, refer to **Storage** for details.
- Use a water softener on the water system if known to be high in mineral content.
- Use only high quality detergents and follow manufacturer's mix recommendations.
- Flush the system with clear water immediately after using detergent solutions.
- Clean filter screen on detergent inlet line periodically.
- Flush the pressure washer system with antifreeze if storing for an extended period of time, refer to **Storage** for details.

### Gasoline Engine

Refer to the provided **Gasoline Engine Manual** for recommended maintenance.

### Oil Burner

**Blower Motor:** Inspect the motor brushes for wear every 250 hours of operation and replace when 1/8" to 1/4" brush material remains. **DO NOT** allow the brushes to wear out completely or motor damage will occur. Refer to **Burner Assembly**. The motor bearings are permanently lubricated and will not require any additional lubrication.

### Unloader Valve/ Relief valve

**WARNING:** *The unloader valve and relief valve on this pressure washer has been factory set and sealed and is a field nonadjustable part. Tampering with the factory setting may cause personal injury and/or property damage, and will void the manufacturer warranty. For replacement refer to Pump Assembly.*

### Burner Fuel Filter

Drain any water which has accumulated in fuel filter and clean or replace filter element as needed. Refer to **Burner Assembly**.

### Heating Coil

**Coil Descaling:** In hard water areas, scale buildup within the heating coil will occur. Scale deposits will decrease the water temperature rise and may eventually clog the heating coil. Contact your local service center when descaling is needed.

**Coil Desooting:** Poor grades of fuel oil or inadequate combustion air will cause heavy soot buildup on the outside surface of the heating coil. These deposits will insulate the coil. This will restrict the air flow through the coil, further aggravating the soot buildup. Contact your local service center when desooting is needed.

### Hour Meter

This hour meter will monitor the total hours of operation of the pressure washer to signal when routine maintenance is required.

### Battery

Refer to **battery manufacturer's literature** for recommended maintenance.

### Relief Valve

**WARNING:** *The relief valve on this pressure washer has been factory set and sealed and is a field non-adjustable part. Tampering with the factory setting may cause personal injury and/or property damage, and will void the manufacturer warranty. For replacement parts refer to Coil Outlet Assembly.*

If pressure from pump or thermal expansion should exceed safe limits, the relief valve will open, allowing high pressure to be discharged through hose to ground.

**Caution:** *Inspect relief valve annually for any obstruction.*

## TROUBLESHOOTING

SYMPTOM	POSSIBLE CAUSES	CORRECTIVE ACTION
<b>GAS ENGINE WILL NOT RUN.</b>	Out of gas	Replenish supply. Use only recommended fuels. Refer to <b>Before Starting</b> under Operation.
	Fuel valve closed (if so equipped)	Open valve.
	Loose spark plug wire	Reconnect.
	Choke or throttle set incorrectly	Refer to <b>To Start</b> under Operation.
	Engine ON/OFF switch in OFF position	Place engine ON/OFF switch in ON position.
	Low engine oil level	Replenish supply. Engine will not start or run if oil is low (on engines equipped with low oil protection).
	Refer to provided gasoline engine manual for additional troubleshooting.	
<b>PRESSURE WASHER RUNS BUT WON'T SPRAY.</b>	Trigger of trigger gun released	Squeeze trigger.
	Water supply not turned on	Open water supply valve.
	Clogged pressure nozzle	Clean pressure nozzle opening.
	If water spray doesn't show with in 10-15 seconds	Discontinue running the machine and troubleshoot as damage to the pump will occur if allowed to run.
<b>LOW SPRAY PRESSURE AT PRESSURE NOZZLE.</b>	Inadequate water supply	Fully open faucet. Check for kinked or damaged hose. Use 3/4 inch minimum hose. Check for debris clogging inlet screen.
	Partially clogged or damaged pressure nozzle	Clean or replace.
	Air being drawn through detergent inlet line	Refill detergent container. Ensure that pick-up screen is fully immersed.
	Detergent injector valve not set correctly	Refer to <b>To Clean</b> for settings.
<b>UNEVEN SPRAY PATTERN.</b>	Partially clogged or damaged pressure nozzle	Clean or replace.
<b>PRESSURE WASHER WILL NOT PRODUCE HOT WATER.</b>	Burner switch in OFF position	Place switch in ON position.
	Inadequate fuel supply	Refill fuel tank. Use only recommended fuels. Refer to <b>Before Starting</b> under Operation.
	Inadequate water supply	Fully open faucet. Check for kinked or damaged hose. Use 3/4 inch minimum hose. Check for debris clogging inlet screen.
	Trigger of trigger gun released	Squeeze trigger. Water must be spraying for burner to light.
	Thermostat set too low	Adjust thermostat to desired temperature.
	Blown fuse	Replace. Fuse is located in control box.
	Engine is running too slow	Move throttle lever to full throttle position.

## TROUBLESHOOTING

SYMPTOM	POSSIBLE CAUSES	CORRECTIVE ACTION
<b>POOR OR NO DETERGENT FLOW.</b>	Inadequate detergent supply.	Refill detergent container. Ensure that pick-up screen is fully immersed. Open detergent valve.
	Detergent screen or hose clogged.	Clean. Always start with a clean detergent container.
	Detergent injector valve not set correctly.	Refer to To Clean for settings.
	Clogged detergent injector check valve.	Clean check valve at detergent injector inlet
<b>POOR CLEANING.</b>	Improper detergent concentration or mixing.	Mix detergent per manufacturer's instructions. Ensure that powdered detergents are fully dissolved.
	Wrong detergent for the application.	Select appropriate detergent.
	Rinsing with hot water.	A final rinse with cold water will reduce water spotting.

<b>MACHINE SMOKES</b>  A) SMOKES WHILE UNIT IS RUNNING  B) SMOKES AT COLD-START WHEN BURNER IS OF	<b>AB</b>	Improper fuel or water in fuel	Drain tank and replace contaminated fuel.
	<b>AB</b>	Improper air adjustment	Readjust air bands on burner assembly.
	<b>AB</b>	Low fuel pressure < 140 PSI	Adjust fuel pump pressure to specifications.
	<b>AB</b>	Weak fuel pump	Check fuel pump pressure. Replace pump if needed.
	<b>AB</b>	Fuel filter partially clogged	Replace as needed.
	<b>AB</b>	Soot build up on coils	Clean coils with soot remover.
	<b>AB</b>	Lime build up in coils	Clean inside of coils using Landa's coil cleaner.
	<b>AB</b>	Improper burner nozzle	See combustion assembly breakdown.
	<b>AB</b>	Electrode is misaligned	Realign electrodes to specs.
	<b>B</b>	Fuel pressure is too high for clean burn (Fuel PSI above 140 but less than 200)	Reduce fuel PSI / increase air and band set for cleaner burn without max water heat loss.
<b>WATER TEMPERATURE TOO HOT</b>		Incoming water to machine warm or hot	Lower incoming water temperature.
		Fuel pump pressure too high	Lower fuel pressure.
		Fuel pump defective	Replace fuel pump.
		Detergent line sucking air	Tighten all clamps. Check detergent line for holes.
		Defective high limit switch	Replace.
		Incorrect fuel nozzle size	See exploded view parts list for proper size.
		Insufficient water supplied	Check G.P.M. to machine.
		Restricted water flow	Check nozzle for obstruction, proper size.



## **IMPORTANT**

If the pressure washer demonstrates other symptoms or the corrective actions listed do not correct the problem, contact the local authorized Hotsy Service Center. The Hotsy Service Center can be identified by visiting [www.hotsy.com](http://www.hotsy.com).

**When ordering from your dealer, please provide the following:**

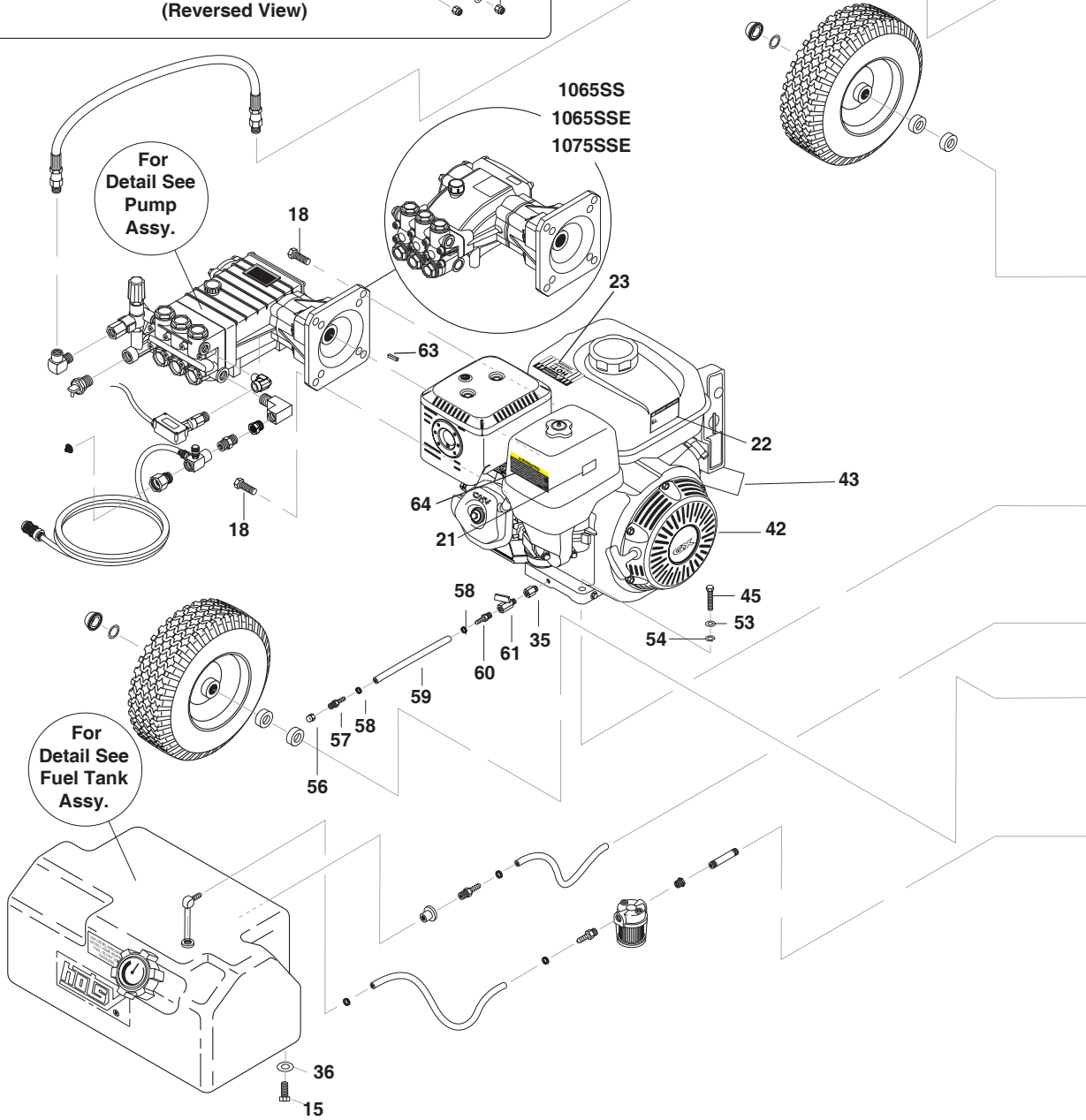
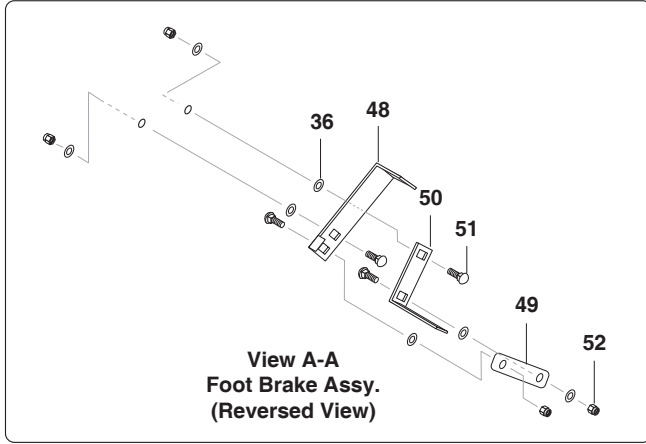
**Model Number: 965SS, 1060SS, 1065SS, 1065SSE, 1075SSE**

**Machine Serial Number:** \_\_\_\_\_

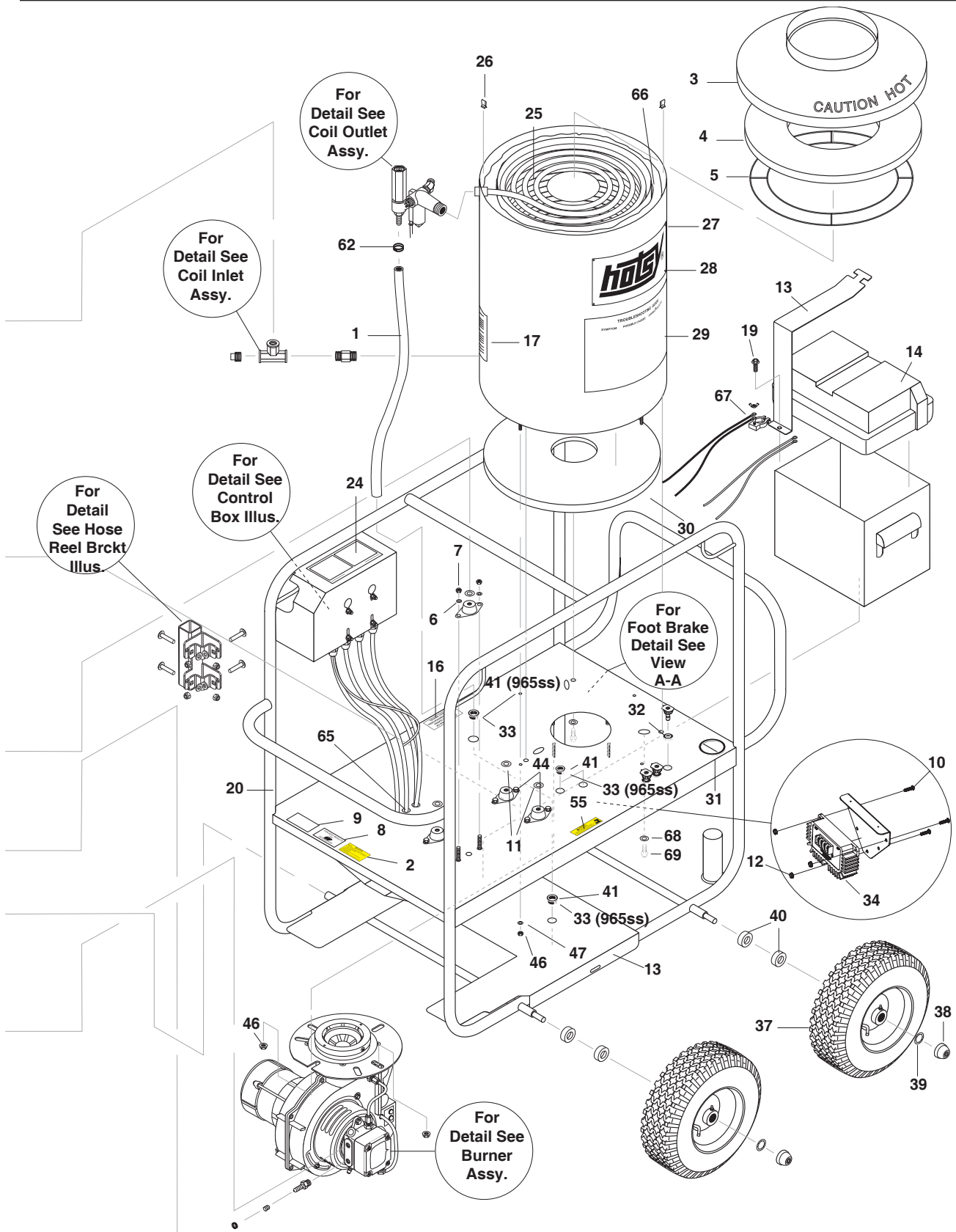
**Component Part Number:** \_\_\_\_\_

**Description:** \_\_\_\_\_

# EXPLODED VIEW - LEFT SIDE



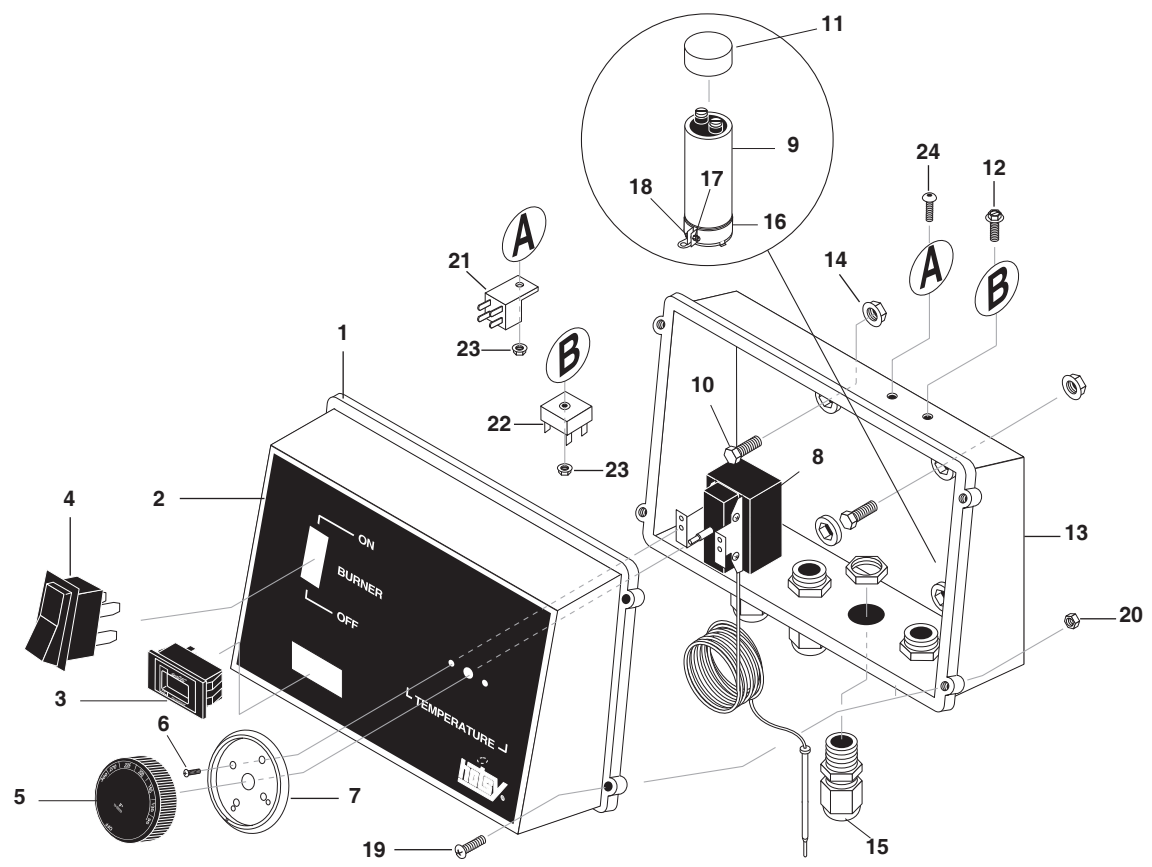
# EXPLODED VIEW - RIGHT SIDE



## EXPLODED VIEW PARTS LIST

ITEM	PART NO.	DESCRIPTION	QTY	ITEM	PART NO.	DESCRIPTION	QTY
1	8.711-785.0	Hose, 3/8" Push On	38"	35	8.706-937.0	Reducer, M12 To 1/4" F	1
2	9.800-049.0	Label, Manufacturers Cleaning Solution	1	36	9.802-802.0	Washer, Flat 1/4	14
3	8.719-913.0	Top Hat, Weld Assy, 16"	1	37	8.754-435.0	Wheel & Pu Tire Assy, 12" Steel Rim	4
4	9.802-904.0	Insulation Top head 16" x 8"	1	38	9.182-506.0	Cap Black Plastic, 5/8"	4
5	9.803-108.0	Ring, Insul Retainer, 16"	1	39	8.718-870.0	Nut, .61 Id, Push Flat	4
6	8.718-980.0	Washer, 5/16" Flat Sae	8	40	8.751-374.0	Spacer 5/8 X 1,25 Black	8
7	9.802-776.0	Nut, 5/16, Esna, Nc	8	41	8.706-744.0	Plug, plastic 1'	2
8	8.901-172.0	Label, Detergent Metering	1	42	8.750-576.0	Engine Honda (965SS)	1
9	8.901-136.0	Label, Use Hotsy Detergent	1		8.750-577.0	Engine Honda (1065SS)	1
10	9.802-771.0	Screw, 10/32" x 3/4" (1065SSE,1075SSE)	2		8.750-578.0	Engine, Honda E Start (1065SSE)	1
		(965SS,1065SS)	3		8.750-579.0	Engine, Honda E Start (1075SSE)	1
11	9.802-809.0	Washer, 1/2" Flat Sae	4	43	8.901-118.0	Tag, Gasoline Engine	1
12	9.802-695.0	Nut, 10/32" Keps (1065SSE,1075SSE)	2	44	8.932-992.0	Mount , Vibration, 3/8" Rubber 70 Dura	4
		(965SS,1065SS)	3	45	9.802-728.0	Bolt, 3/8-16 x 2", Hh Zinc	4
13	8.920-175.0	Battery Bracket (Battery Models Only)	1	46	9.802-776.0	Nut, 5/16, Esna, Nc	8
14	8.905-699.0	Box, Battery (Battery Models Only)	1	47	9.198-014.0	Washer 21/64 x 1"	4
15	8.718-582.0	Bolt, 1/4-20 X 1/2", NC HH	2	48	8.912-017.0	Lever, Brake, Red	1
16	8.901-135.0	Label, Caution Winterize	1	49	8.912-020.0	Linkage, Brake, Red	1
17	8.900-285.0	Label, Warning Pictorial	1	50	8.912-019.0	Bracket, Brake Pad, Red	1
18	9.802-768.0	Screw, 3/8" x 1-1/4", Whiz Loc Flange	4	51	9.802-705.0	Bolt, 1/4-20 x 1", Carriage, Zinc	4
19	9.802-754.0	Screw, 1/4" x 1/2" Nc, Whiz Loc Flange	1	52	9.802-773.0	Nut, 1/4-20 Esna Nc	4
20	8.911-826.0	Chassis	1	53	9.198-004.0	Washer, 3/8" Flat Zinc	4
	8.911-825.0	Chassis (965SS Only)	1	54	9.802-814.0	Washer, 3/8" Split Ring Lock, Zinc	4
21	8.901-157.0	Label, Important: Battery	1	55	9.800-018.0	Label, Tip Over Hazard	1
22	8.901-127.0	Label, Caution, Gasoline	1	56	8.706-321.0	Cap, Pipe, 1/8" Npt Brass	1
23	8.901-133.0	Label, Warning, Carbon Monoxide	1	57	8.706-940.0	Hose Barb, 1/4" x 1/8" Mpt	1
24	8.901-206.0	Label, Hww Geng Instr	1	58	6.390-126.0	Clamp, Hose, .46-, .54 St	2
25	8.919-134.0	Coil	1	59	9.802-254.0	Hose, 1/4" Push On	3"
	8.919-135.0	Coil (965SS Only)	1	60	8.706-941.0	Hose Barb, 1/4" x 1/4" Mpt, Brass	1
26	9.802-825.0	Clip, Retaining U-Type	4	61	8.707-206.0	Valve, Mini Oil Drain	1
27	8.911-802.0	Coil Wrap (965SS Only)	1	62	8.709-117.0	Clamp, Hose, Uni .62-.75 St	1
	8.911-800.0	Coil Wrap	1	63	9.802-959.0	▲ Key, 0.247 Sqr x 2.125"	1
28	8.901-214.0	Label, Hotsy Logo 4 x 9	2	64	8.751-096.0	Label, Regulation 4442.6	1
29	8.901-171.0	Label, Troubleshooting	1	65	8.706-731.0	Bushing, 3/4"	2
30	9.802-903.0	Insulation Bottom 16"	1	66	8.717-438.0	Insulation Blanket 22" x 52" (1065SS, 1065SSE, 1075SSE)	1
31	9.803-544.0	Grommet	1		9.802-908.0	Insulation Blanket 18" x 52" (965SS)	1
32	9.802-064.0	Grommet (Nozzle Holder)	3	67	8.716-608.0	Terminal, Battery, Marine (Battery Models Only)	2
33	9.802-104.0	Bushing, 1' Snap (965SS)	2 3	68	9.802-819.0	WASHER, 7/16" x 2 1/2", ZINC, PG FOOT	3
34	77-31620-2GS-003	Voltage Reg (1065SSE, 1075SSE)	1	69	9.802-710.0	Screw 5/16" x 1"NC	3
	9.802-531.0	Voltage Reg. (965SS, 1065SS)	1				

# CONTROL PANEL ASSEMBLY EXPLODED VIEW & PARTS LIST



## CONTROL PANEL ASSEMBLY PARTS LIST

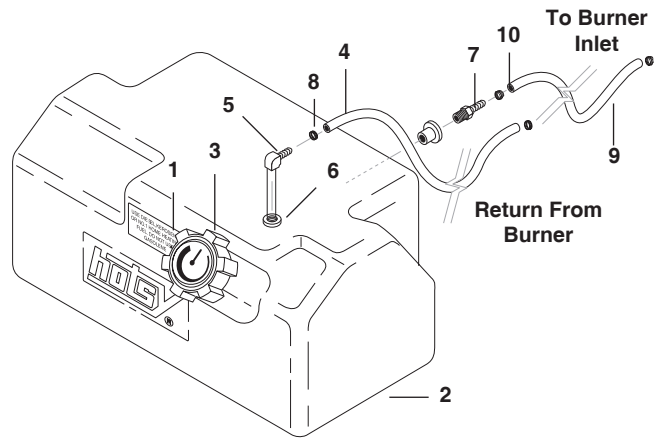
ITEM	PART NO.	DESCRIPTION	QTY
1	8.719-947.0	Box, Plastic, Front	1
2	8.900-924.0	Label, Control Box	1
3	9.802-283.0	Hour Meter, 24-240 Vac 50/60 Hz	1
4	8.716-036.0	Switch, Rocker, 15A/12V, Lt	1
5	8.750-097.0	Knob, Thermostat 120C/248F	1
6	8.718-779.0	Screw, 4mm x 6mm, Pan Head	2
7	8.712-190.0	Bezel, Plastic, Thermostat	1
8	8.750-095.0	Thermostat, 120C/240F 2 Meter Capillary	1
9	9.802-528.0	Capacitor (965SS, 1065SS)	1
10	8.718-596.0	Bolt, 1/4-14 x 3/4 Grd 5 PL Hex	4
11	9.803-048.0	Cap, Capacitor (965SS,1065SS)	1
12	9.802-764.0	Screw, 10/32 X 3/4, Hex Wash SI Mach/Blk	1
13	9.802-480.0	Back Box	
14	9.802-773.0	Nut, 1/4-20 Esna Nc	4
15	9.802-514.0	Strain Relief, Lt, Str, 1/2 Npt	3

ITEM	PART NO.	DESCRIPTION	QTY
		.23-.45D	
16	9.802-206.0	Clamp, (965SS,1065SS)	1
17	8.718-582.0	Bolt, 1/4-20 x 1/2", Nc Hh (965SS, 1065SS)	1
18	9.802-775.0	Nut, 1/4" Flange, Zn	1
	8.716-206.0	▲ Fuse, ATC 30 Amp	1
	8.716-223.0	▲ Holder, Fuse	1
	8.706-745.0	▲ Plug Plastic 0.812	1
19	9.803-249.0	Screw, M4 x 10 (965SS, 1065SS) (1065SSE, 1075SSE)	5 6
20	9.803-250.0	Nut (965SS, 1065SS) Nut (1065SSE, 1075SSE)	5 6
21	9.802-470.0	Relay, 12V	1
22	8.716-622.0	Rectifier, Bridge (1065SSE, 1075SSE)	1
23	9.802-695.0	NUT, 10/32" KEPS	2
24	9.802-759.0	SCREW, 10/32" x 1/2" BHSOC BLK	1

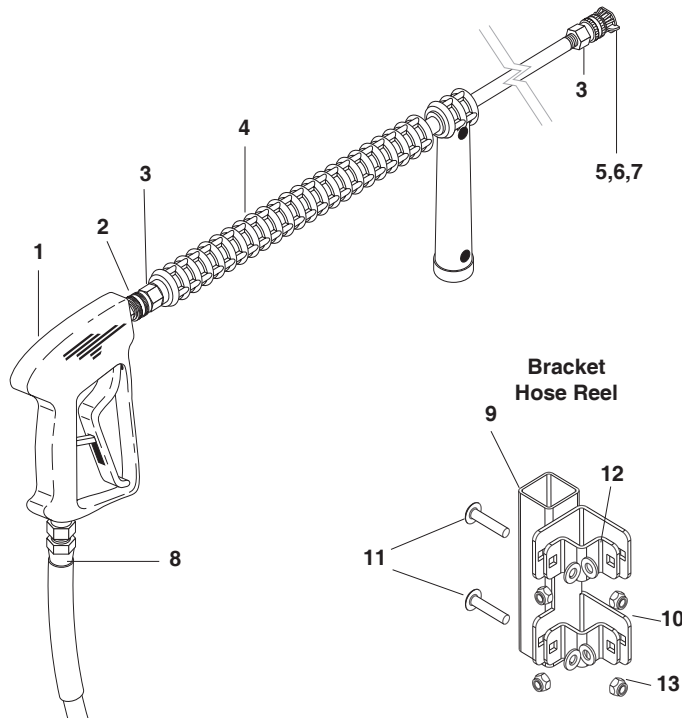
▲Not Shown

## FUEL TANK ASSEMBLY AND PARTS LIST

ITEM	PART NO.	DESCRIPTION	QTY
1	8.901-134.0	Label, Fuel Type	1
2	8.706-614.0	Tank, Fuel, 8 Gal Hotsy	1
3	9.803-535.0	Cap With Fuel Display	1
4	9.802-254.0	Hose, 1/4" Push On	19"
5	8.912-133.0	Elbow 1/4" Hose Stand Pipe 90 Deg	1
6	9.802-053.0	Bushing, Fuel Line, Rubber	2
7	9.802-141.0	Hose Barb 1/4" Barb x 3/8" Barb, Dou	1
8	6.390-126.0	Clamp, Hose, .46-.54 St	2
9	9.802-254.0	Hose, 1/4" Push On	19"
10	8.750-933.0	Band Hose Clamp	2



## HOSE, SPRAY GUN & WAND ASSEMBLY AND PARTS LIST



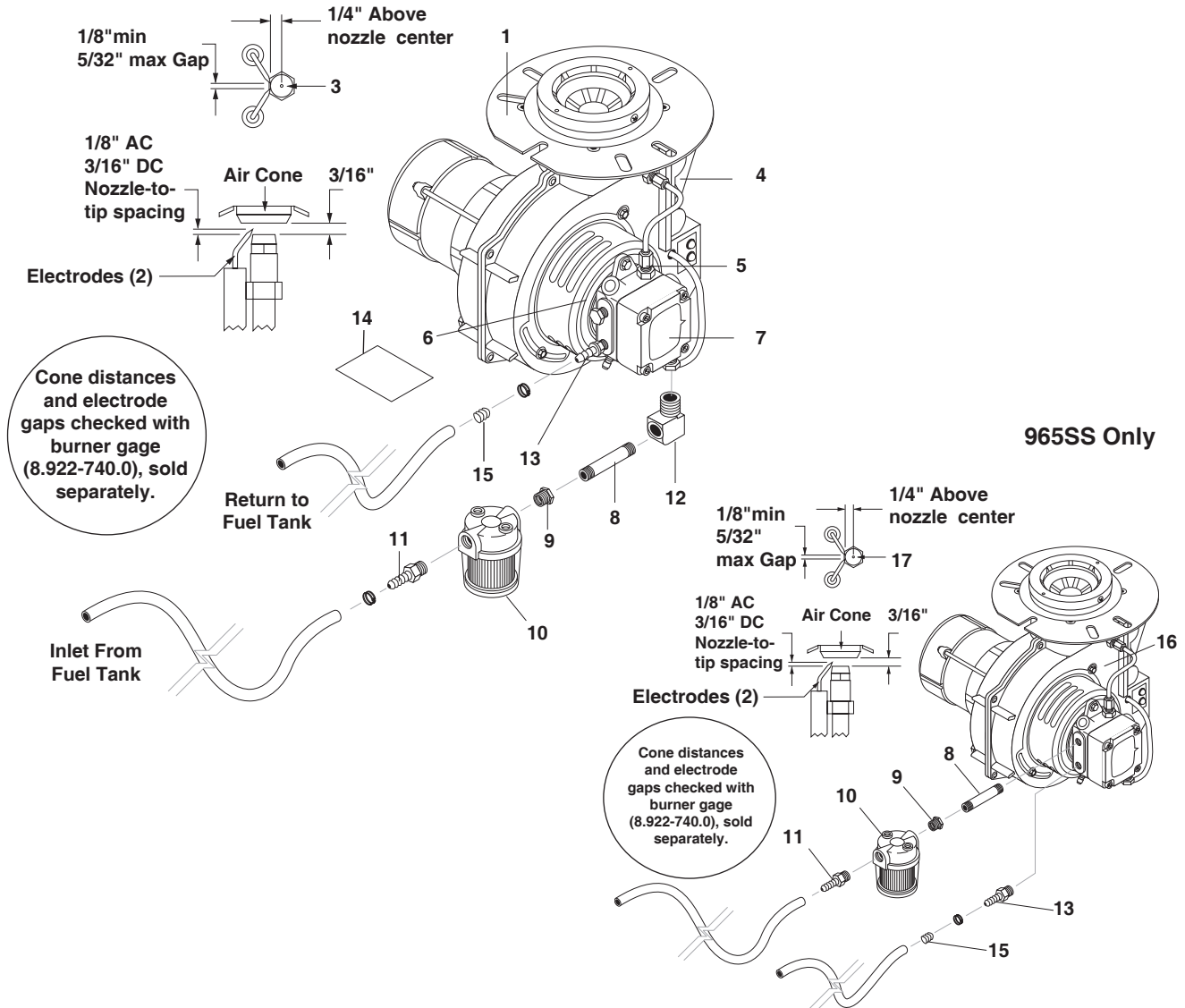
ITEM	PART NO.	DESCRIPTION	QTY
1	8.751-235.0	Gun, Hotsy, H1050 5000 PSI, 10.4 GPM	1
2	8.707-139.0	Coupler, 1/4" Plug, M, S/Z	1
3	9.802-164.0	Coupler, 1/4" Socket, F, B	2
4	8.725-388.0	Wand, Single, 48" Insulated	1
5	8.712-345.0	Nozzle, 0004, Red (1065SS, 1065SSE, 1075SSE)	1
	8.712-337.0	Nozzle, 0003.5, Red (965SS)	1
6	8.712-346.0	Nozzle, 1504 Yellow ,(1060SS 1,1065SS,1065SSE, 1075SSE)	1
	8.712-338.0	Nozzle, 1503.5 Yellow (965SS)	1
7	8.712-348.0	Nozzle, 4004 White (1065SS, 1065SSE,1075SSE)	1
	8.712-340.0	Nozzle, 4003.5 White (965SS)	1

ITEM	PART NO.	DESCRIPTION	QTY
8	8.917-057.0	Hose, 3/8 x 50', 1W, Ts, Hotsy 1 So x Sw, Cp (965SS, 1065SS, 1065SSE)	1
	8.917-061.0	Hose, 3/8 x 50', 2W, Ts, Hotsy 1 So x Sw, Cp (1075SSE)	1
9	8.931-243.0	Bracket Hose Reel	1
10	8.915-292.0	Bracket Hose Reel Retainer	2
11	8.718-623.0	Bolt, 5/16"-18 x 1-1/2" Nc Crge Zinc	4
12	8.718-980.0	Washer, 5/16" Flat, Sae	4
13	9.802-776.0	Nut, 5/16, Esna, Nc	4

### REPLACEMENT PARTS

	8.717-661.0	Grip, Handle Assy, Hotsy	1
	8.706-670.0	Grip, Wand Side Handle	1
	8.751-119.0	Kit, Gun Repair	1

## BURNER ASSEMBLY EXPLODED VIEW



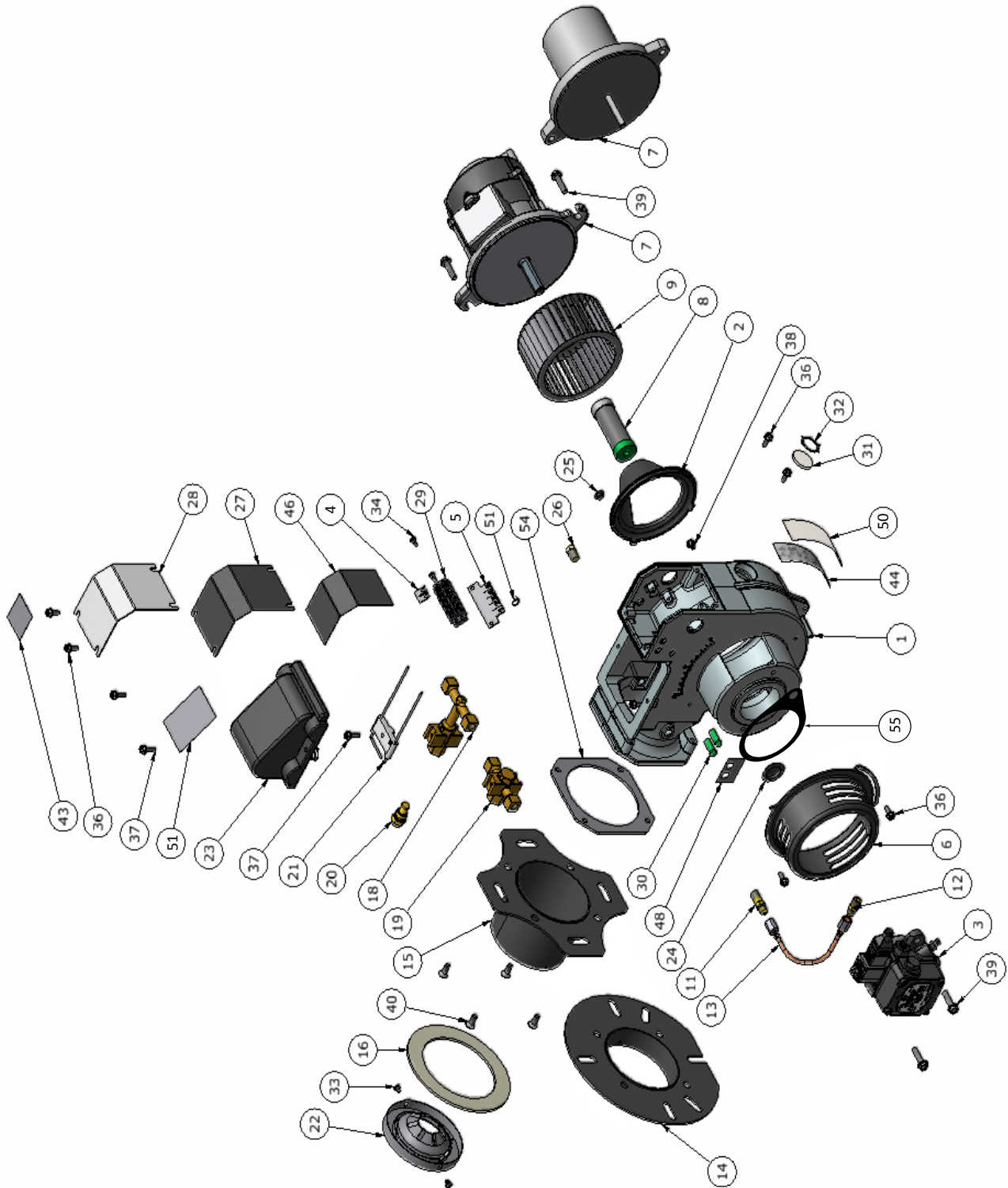
## BURNER ASSEMBLY PARTS LIST

ITEM	PART NO.	DESCRIPTION	QTY	ITEM	PART NO.	DESCRIPTION	QTY
1	8.751-074.0	Motor 13.5V Crossfire	1	11	8.706-942.0	Hose Barb, 1/4" Barb x 3/8" ML Pipe	1
2	8.750-778.0	Electrode Crossfire	1	12	8.706-827.0	Elbow, 1/4" Street	1
3	8.755-762.0	Fuel Nozzle, 1.75 x 70 AR-DZ	1	13	8.706-941.0	Hose Barb, 1/4" Barb x 1/4" Mpt, Brass	1
4	9.802-663.0	Burner Ignitor Beckett	1		8.751-073.0	▲ Coupling Crossfire	1
	8.919-116.0	Burner Ignitor Crossfire	1		8.751-072.0	▲ Blower Fan Crossfire	1
5	8.700-782.0	Oil Solenoid Valve	1		9.802-514.0	▲ Strain Relief	1
6	8.918-911.0	Burner, KNA 12V Vert F22 12-24v SOL ST	1	14	9.801-264.0	Label, Hotsy Crossfire	1
7	9.802-562.0	Fuel Pump Beckett	1	15	8.754-953.0	Check Valve, 1 way, 1/4" barb	1
	8.700-758.0	Fuel Pump Crossfire	1	16	8.756-655.0	Burner, MSR 12V 1T 12V S DC	1
8	8.706-803.0	Nipple, 1/4 x 2-1/2, Brass	1	17	8.754-916.0	Fuel Nozzle, 1.50 x 90BZ (965SS ONLY)	1
9	8.706-297.0	Bushing, 3/8" x 1/4" Steel Yellow Chrom	1	<b>REPLACEMENT PARTS</b>			
10	8.709-153.0	Filter, Fuel Hotsy, 3/8" Fem	1		8.717-711.0	Screen, Fuel Filter	1

# BURNER HOTSY CROSSFIRE EXPLODED VIEW

Replacement Parts for models 1065SS,1065SSE, 1075SSE

For best performance specify genuine KNA replacement parts





# BURNER HOTSY CROSSFIRE PARTS LIST

Replacement Parts for models 1065SS,1065SSE, 1075SSE

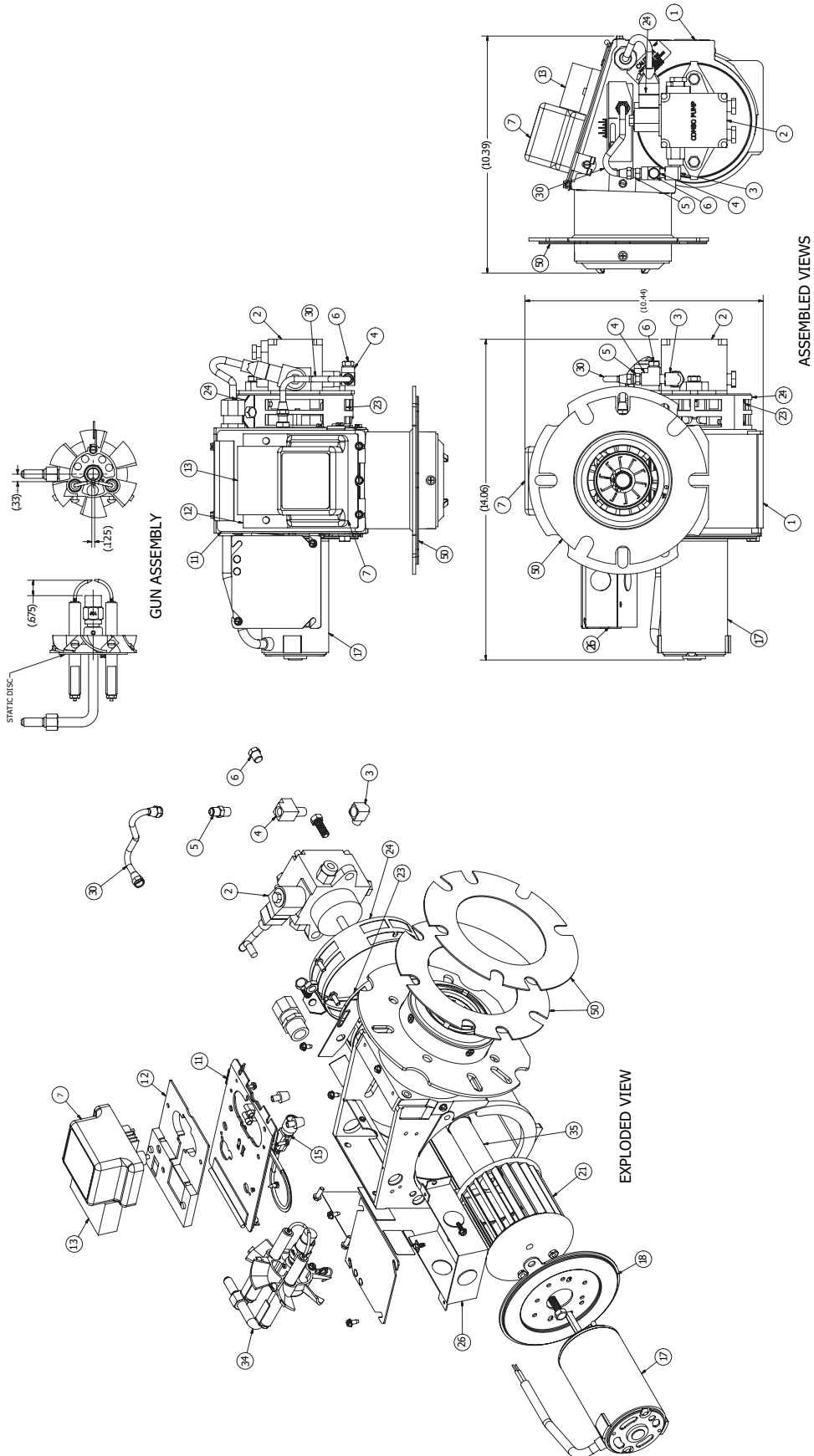
For best performance specify genuine KNA replacement parts

Item #	Part #	Description	Qty	Item #	Part #	Description	Qty
1	8.919-050.0	BURNER HOUSING ASSEMBLY	1	23	8.919-116.0	IGNITOR, BURNER 12VDC	1
2	8.751-160.0	AIR GUIDE	1	24	8.751-165.0	PLUG, HOLE 0.875 PLASTIC	1
3	8.700-758.0	FUEL PUMP, SUNTEC A2VA-3106 12-24V SOL	1	25	8.750-830.0	PLUG, HOLE 0.285 PLASTIC	1
3	8.700-759.0	FUEL PUMP, SUNTEC A2VA-3106 120V SOL	1	26	8.751-134.0	PLUG, 1/8" NPT x HEX SHOULDER	1
3	8.700-760.0	FUEL PUMP, SUNTEC A2VA-3106 230V SOL	1	27	8.918-454.0	GASKET, JUNCTION BOX	1
3	8.753-000.0	FUEL PUMP, DANFOSS 071N1298	1	28	8.750-542.0	COVER, JUNCTION BOX	1
4	8.750-762.0	COIL, SOLENOID DANFOSS 230V	1	29	8.750-116.0	BLOCK, TERMINAL, 5 POLE	1
4	8.750-763.0	COIL, SOLENOID DANFOSS 120V	1	30	8.750-817.0	LIGHT, INDICATOR, GREEN 14V	2
4	8.750-764.0	COIL, SOLENOID DANFOSS 12-24V	1	30	8.750-818.0	LIGHT, INDICATOR, GREEN 28V	1
5	8.750-765.0	CABLE, SOLENOID COIL, DANFOSS	1	30	8.750-819.0	LIGHT, INDICATOR, GREEN 125V	1
5a	8.750-783.0	MOUNTING KIT, FLANGE/HUB, DANFOSS	1	30	8.750-820.0	LIGHT, INDICATOR, GREEN 250V	1
6	8.750-541.0	AIR BAND	1	31	8.750-784.0	SITE GLASS	1
7	8.750-517.0	MOTOR, 1/6 HP 120V 60Hz	1	32	8.750-785.0	RING, PUSH ON INTERNAL, 1305-112	1
7	8.750-518.0	MOTOR, 1/6 HP 230V 60Hz	1	33	8.733-001.0	SCREW, 8 x 1/4" HI LOW THREAD CUT, PPH	2
7	8.751-074.0	MOTOR, 1/7 HP 12VDC AMETEK	1	34	8.718-762.0	SCREW, 8-32 X 1/2", MPH RDH PL	2
8	8.750-543.0	COUPLING, FLEX, 1/2" x 5/16"	1	35	8.750-769.0	SCREW, 8/32 X 3/8" PH	1
8	8.751-073.0	COUPLING, FLEX, 5/16" x 5/16"	1	36	8.718-810.0	SCREW, 10/32 x 1/2", WHIZ LOC FLANGE	6
9	8.750-520.0	FAN, 4.53" X 2.42", 1/2" BORE, F120-62S	1	37	8.750-770.0	SCREW, 10/32 x 5/8", WHIZ LOC FLANGE	3
9	8.751-072.0	FAN, 4.53" x 2.42" x .313 BORE, F115-625	1	38	8.750-816.0	SCREW, 10/32 X 1/4" GROUNDING	1
11	8.750-547.0	CONNECTOR, 37 DEG FLARE X 1/8" NP LONG	1	39	8.750-768.0	SCREW, 1/4-20 x 1", WHIZ LOC FLANGE	4
12	8.750-545.0	CONNECTOR, 37 DEG FLARE X 1/8" NPT	1	40	8.750-771.0	SCREW, 1/4-20 X 1/2", PHIL FHMS	4
13	8.749-000.0	FUEL LINE ASSEMBLY	1	42	—	LABEL, BRAND NAME	1
14	8.918-864.0	FLANGE 1" TUBE ASSY, BURNER	1	43	9.801-268.0	LABEL, DISCONNECT POWER SUPPLY	1
15	8.918-866.0	FLANGE 3" TUBE ASSY, BURNER	1	44	—	LABEL, SERIAL PLATE	1
16	8.750-539.0	GASKET, FLANGE	1	46	9.807-339.0	LABEL, WIRING DIAGRAM, BURNER 120V-120V	1
17	8.750-528.0	DISK, STATIC 2.00	1	46	9.807-340.0	LABEL, WIRING DIAGRAM, BURNER 230V-230V	4
17	8.918-868.0	DISK, STATIC 2.75	1	46	9.807-341.0	LABEL, WIRING DIAGRAM, BURNER 230V-120V	1
17	8.918-869.0	DISK, STATIC 2.50	1	46	9.807-342.0	LABEL, WIRING DIAGRAM, BURNER 120V-24V	1
17	8.918-870.0	DISK, STATIC 2.25	1	46	9.807-343.0	LABEL, WIRING DIAGRAM, BURNER 230V-24V	1
18	8.750-526.0	GUN, ELECTRODE / NOZZLE, 3"	1	46	9.807-344.0	LABEL, WIRING DIAGRAM, BURNER 12VDC	1
19	8.750-525.0	GUN, ELECTRODE / NOZZLE, 1"	1	48	9.801-274.0	LABEL, BURNER LIGHTS	1
20	8.755-761.0	FUEL NOZZLE, 1.50 X 70 AR-DZ	1	49	8.919-105.0	PLATE, TERMINAL BLOCK NUMBERS	1
20	8.755-762.0	FUEL NOZZLE, 1.75 X 70 AR-DZ	1	50	8.716-451.0	TERMINAL, JUMPER SPADE	1
21	8.750-778.0	ELECTRODE, IGNITION	1	51	9.802-510.0	CABLE, TIE, 4" BLACK	2
22	8.750-779.0	CONE, AIR F4	1	52	9.807-348.0	LABEL, CLEAR MYLAR	1
22	8.750-782.0	CONE, AIR F6	1	53	9.807-345.0	LABEL, IGNITER 120V	1
22	8.750-780.0	CONE, AIR F12	1	53	9.807-346.0	LABEL, IGNITER 230V	1
22	8.750-781.0	CONE, AIR F22	1	53	9.807-347.0	LABEL, IGNITER 12VDC	1
23	8.919-114.0	IGNITOR, BURNER 120V	1	54	8.900-083.0	FUEL VALVE, SNAP CHECK 100 PSI	1
23	8.919-115.0	IGNITOR, BURNER 230V	1	55	8.754-905.0	GASKET, KNA BURNER PUMP- SUNTEC	1

# WAYNE BURNER EXPLODED VIEW

Replacement Parts for model 965SS

For best performance specify genuine WAYNE replacement parts



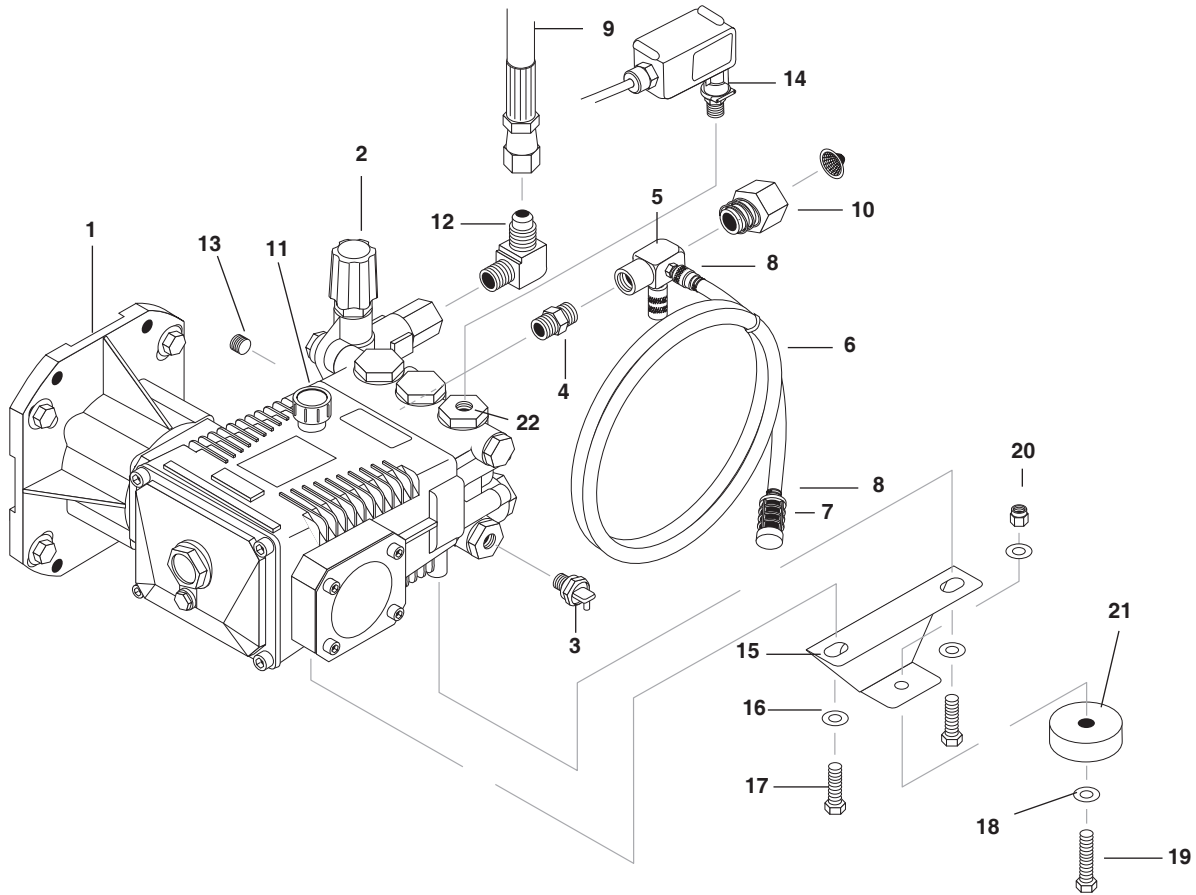
## WAYNE BURNER PARTS LIST

### Replacement Parts for model 965SS

*For best performance specify genuine WAYNE replacement parts*

ITEM	PART NUMBER	DESCRIPTION	QTY
1	101409-001	TUBE/HOUS-101393-001/3A/3.75"/.88" I	1
2	101128-011	PUMP-S A2VA3006-N261 12V COMBO	1
3	550053	FITTING, ELBOW 90° STREET 1/8	1
4	101274-001	TEE, STREET-1/8 X 1/8 BRASS	1
5	14222	CONNECTOR, MALE-3/16" X 1/8" IPT	1
6	15766	PLUG, PIPE HXHD 1/8" NPT	1
7	101308-001	IGNITOR-CC 6385 12VDC 4.8A	1
11	21723-014	COVER, HOUS-M CAD MTG & GASKET	1
12	101309-002	BASE, MOUNTING-IGNITOR CC TIMER	1
13	100889-002	TIMER, IGNITOR-12V AH1501	1
15	14289	CAD CELL-H 15" LEAD/17* BRKT	1
17	21993-006	MOTOR, 12VDC LOWAMP/3950RPM	1
18	100761-001	SIDEPLATE, HOUSING-MSR 12VDC	1
21	23021-001	FAN-3.44"W X 4.25"D M 5/16" BORE	1
23	20601-002	BAND, AIR INNER-MOD M	1
24	20602-002	BAND, AIR OUTER 8-HOLE MOD-M	1
26	21319	J-BOX, 3" X 4"	1
28	13392	PLATE, SLOT COVER	1
30	14451	OIL LINE ASM.-6"	1
34	30537-024	GUN-RG/*CST/*1 1/4" BB	1
35	101119-001	COUPLING-M FASCO 12VDC	1
50	12484	GASKET, FLANGE-STD LARGE	2

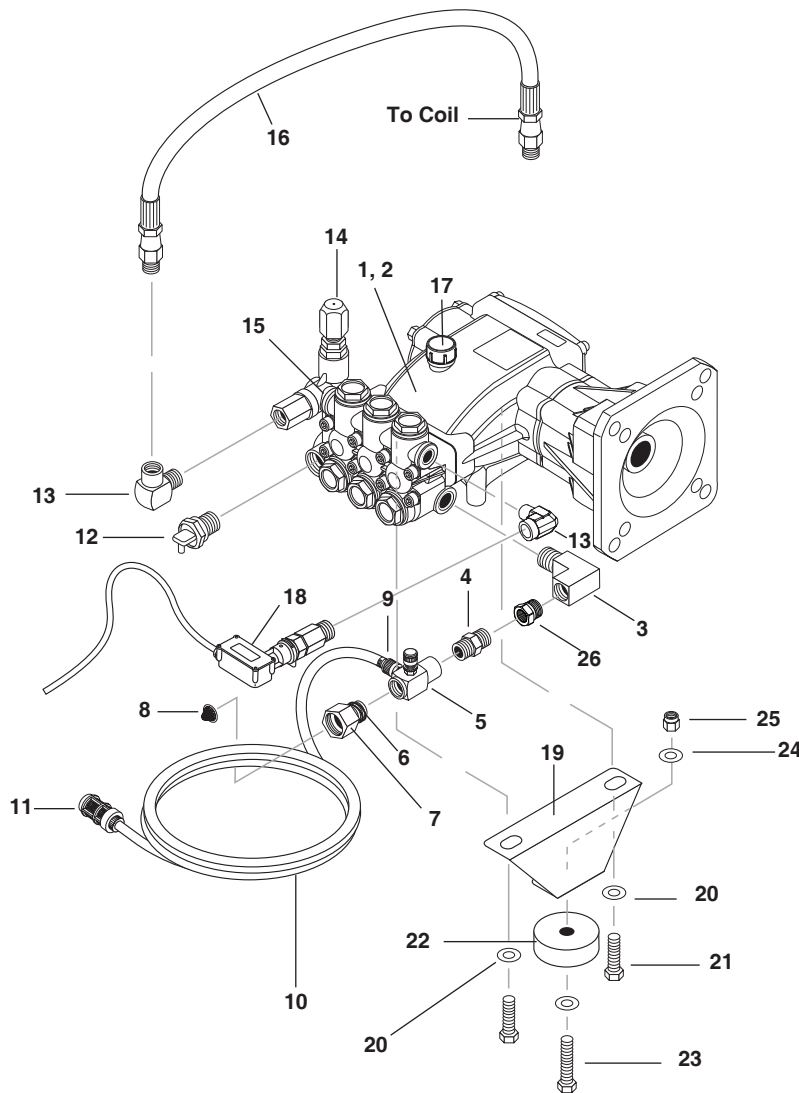
# PUMP ASSEMBLY - 965SS EXPLODED VIEW AND PARTS LIST



ITEM	PART NO.	DESCRIPTION	QTY
1	8.923-773.0	Pump, Hotsy HP3035G1, 3.0@3500, 3400 RPM (8.715-235.0)	1
2	8.754-696.0	Unloader, VBT Banjo 1/2M 3/8M, 3000 PSI	1
3	8.707-256.0	Pump Protector, 1/2" Ptp	1
4	8.706-880.0	Nipple, 1/2" Mpt x 3/8" Mpt, Brass	1
5	9.803-275.0	Injector, Adjustable, Inlet	1
6	9.802-252.0	Hose, 1/4" x 1/2" Braided Vinyl	4 ft.
7	8.707-056.0	Strainer, Chemical W/ 1/4 Brass Barb	1
8	6.390-126.0	Clamp, Hose, .46-.54 St	2
9	8.918-424.0	Hose, 3/8" x 25", 2 Wire, Press Loop	1
10	9.802-147.0	Swivel, 3/8" Mp x 3/4" Ghf W/ Strainer	1
11	9.803-957.0	Oil Dipstick	1
12	9.802-042.0	Elbow 1/2" Jic x 3/8" Fem, 90DGR, ST	1
13	8.706-865.0	Plug, 1/4" Npt Countersunk	1
14	9.802-458.0	Switch, Pressure N/O, 1/4 Npt SS	1
15	9.804-533.0	Rail, Pump Support	1

ITEM	PART NO.	DESCRIPTION	QTY
16	8.718-980.0	Washer, 5/16" Flat Sae	1
17	9.802-741.0	Bolt, 8mm x 16mm, Hex Head	2
18	9.802-817.0	Washer, 3/8"x 1"	2
19	9.802-722.0	Bolt, 3/8" x 1-1/4", Nc Hh	1
20	9.197-003.0	Nut, 3/8"-16 Nylon Insert	1
21	9.802-066.0	Pad, Soft Rubber	1
22	9.804-022.0	Cap, Valve 22m,1/4"Gauge	1

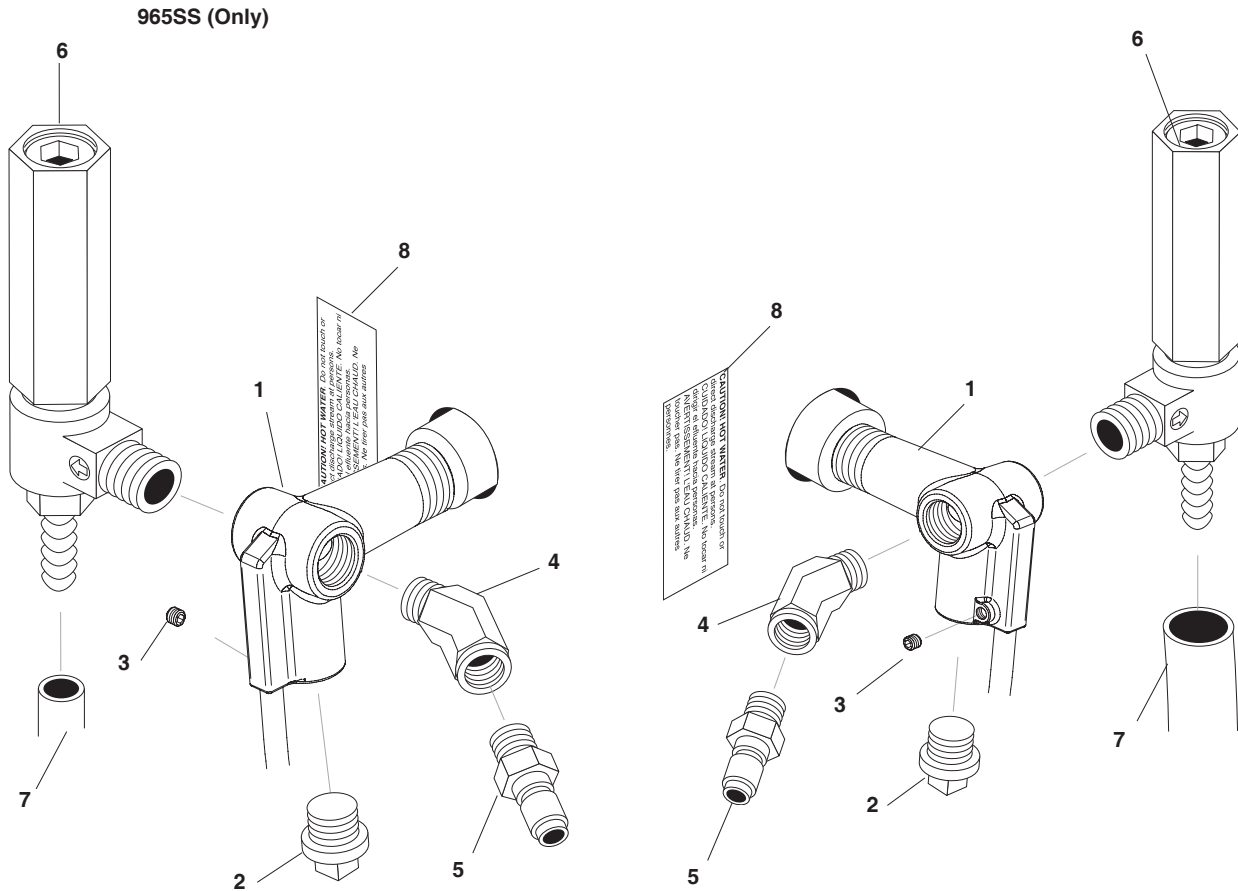
# PUMP ASSEMBLY - 1065SS, 1065SSE, 1075SSE



## PUMP PARTS LIST - 1065SS, 1065SSE, 1075SSE

ITEM	PART NO.	DESCRIPTION	QTY	ITEM	PART NO.	DESCRIPTION	QTY
1	8.751-183.0	Pump (1065SS,1065SSE)	1	15	8.901-117.0	Tag, Warning Unloader	1
2	8.751-184.0	Pump (1075SSE)	1	16	8.918-218.0	Hose, 3/8" x 29", 2 Wire, 3/8M. Sol x 1/2	1
3	8.706-829.0	Elbow, 1/2" Street, Brass	1	17	9.802-921.0	Oil Dipstick	1
4	8.706-880.0	Nipple, 1/2" Mpt x 3/8" Mpt	1	18	8.716-125.0	Switch, Pressure, 3/8" NPT Brass, 65" (1065SSE)	1
5	9.803-275.0	Injector, Adjustable, Inlet	1		8.704-196.0	Switch, Pressure Hp, Red 5800 Psi (1075SSE)	1
6	8.718-492.0	Spring, .95 x .055 x .6	1	19	8.933-024.0	Rail, Pump Support	1
7	9.802-147.0	Swivel, 3/8" Mp x 3/4" Ghf	1	20	9.802-816.0	Washer, 7/16" Split Ring Lock	2
8	9.804-016.0	Filter Screen Washer, Garden Hose/Mesh	1	21	9.802-744.0	Bolt, 10mm x 20mm, Hh Zc	2
9	6.390-126.0	Clamp, Hose, .46-.54 St	2	22	9.802-066.0	Pad Soft Rubber	1
10	9.802-252.0	Hose, 1/4"x 1/2", Braided	48"	23	9.802-722.0	Bolt, 3/8" x 1-1/4", Nc Hh	1
11	8.707-056.0	Strainer, Chemical W/ 1/4 Brass Barb	1	24	9.802-817.0	Washer, 3/8" x 1"	1
12	8.707-256.0	Pump Protector, 1/2" Ptp	1	25	9.197-003.0	Nut, 3/8"-16 Nylon Insert	1
13	8.706-207.0	Elbow, 3/8" Street, 90 Deg, Steel	2	26	8.706-984.0	Adapter, 1/2" x 1/2" Pipe (Brass)	1
14	9.803-900.0	Unloader, VBA	1				

## COIL OUTLET EXPLODED VIEW - 965SS 1065SS 1065SSE 1075SE

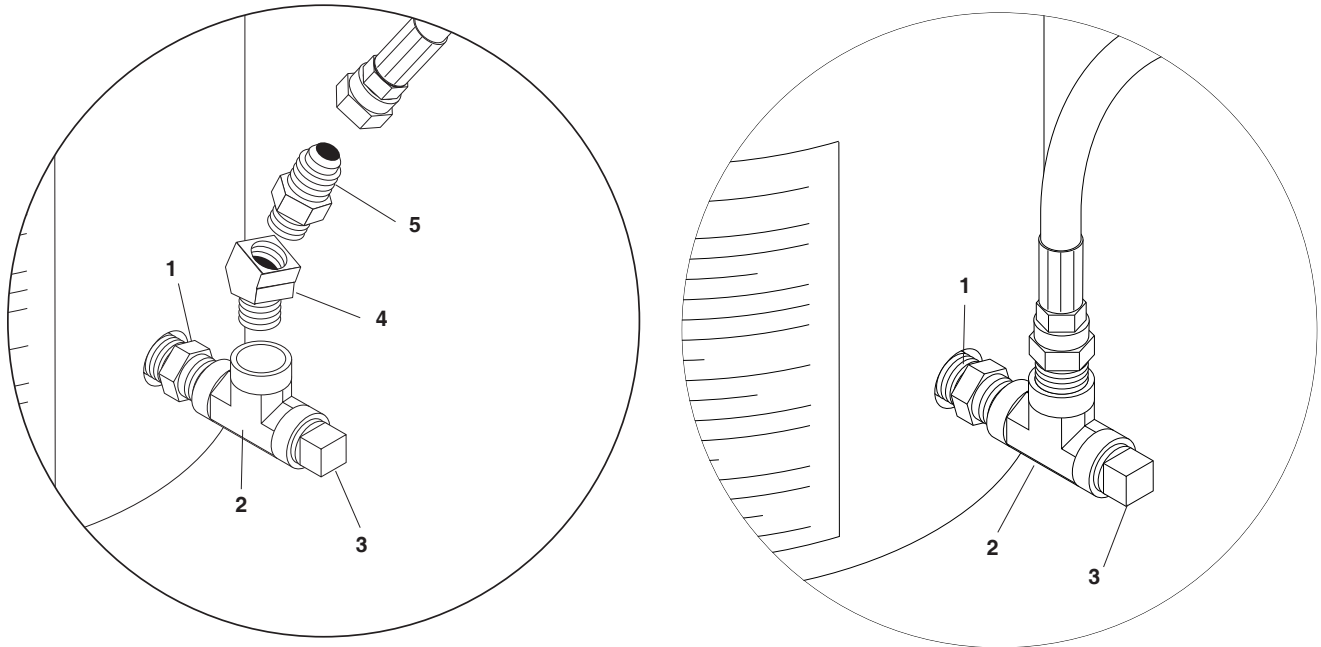


## COIL OUTLET PARTS LIST - 965SS 1065SS 1065SSE 1075SE

ITEM	PART NO.	DESCRIPTION	QTY
1	9.149-003.0	Manifold Coil Outlet Discharge	1
2	8.706-241.0	Plug, 3/8", Sq Head, Galv	1
3	9.196-012.0	Screw, 10-24 x 1/4" Hex Gasket	1
4	9.802-041.0	Elbow, 3/8" Street 45 Deg Steel	1
5	9.802-171.0	Coupler, 3/8" Plug, Male, Steel/Zinc	1
6	8.902-433.0	Valve, Safety Relief Vsa	1
7	8.711-785.0	Hose, 3/8" Push On	42"
8	9.800-021.0	Label, Hot Water Outlet	1

# COIL INLET ASSEMBLY

965SS (Only)

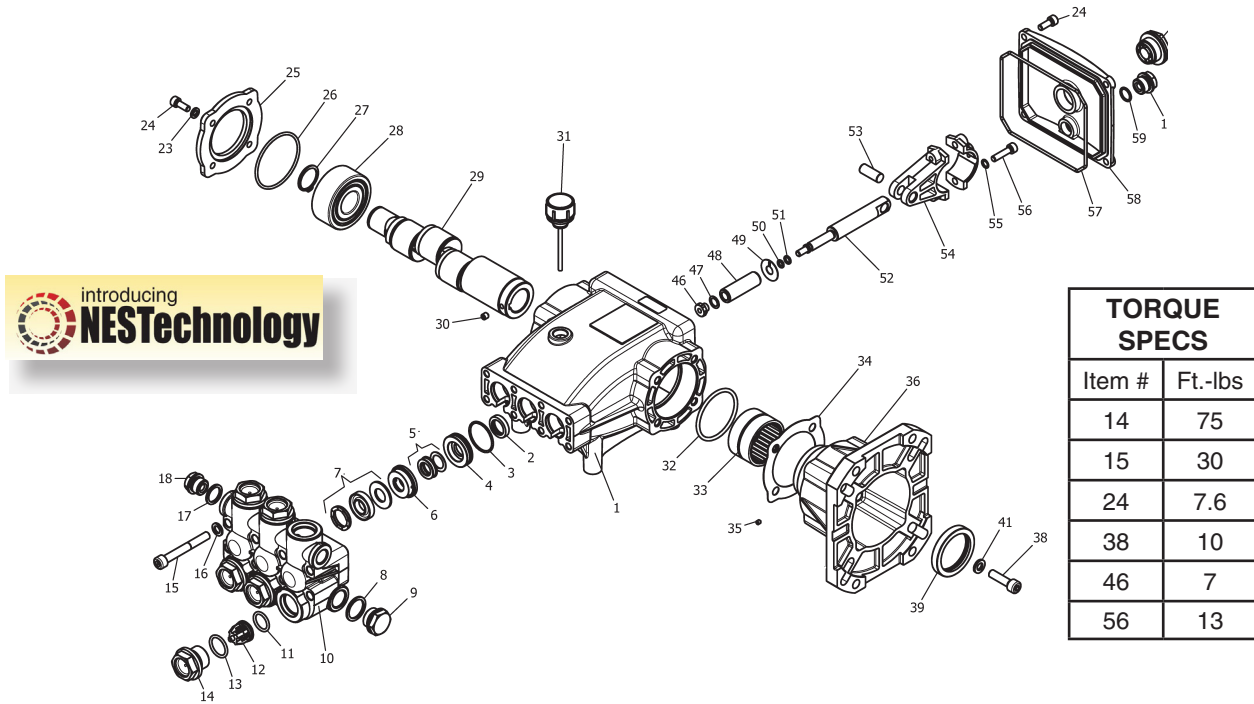


## COIL INLET PARTS LIST

ITEM	PART NO.	DESCRIPTION	QTY
1	8.705-974.0	Nipple, 3/8" Hex Steel (965SS)	1
	8.705-975.0	Nipple, 1/2" Hex Steel (1065SS, 1065SSE, 1075SSE)	1
2	8.706-214.0	Tee, 3/8", Female Pipe (965SS)	1
	8.706-216.0	Tee, 1/2" Fpt Steel (1065SS, 1065SSE, 1075SSE)	1
3	8.706-241.0	Plug, 3/8", Sq Head, Galv (965SS)	1
	8.706-243.0	Plug, 1/2", Sq Head, Galv (1065SS, 1065SSE, 1075SSE)	1
4	9.802-041.0	Elbow, 3/8" Street 45 Deg Steel (965SS)	1
5	9.802-036.0	Nipple, 1/2" Jic x 3/8" Npt, Steel	1

## HS.3 PUMP EXPLODED VIEW

8.751-184.0 HS4040G.3  
8.751-183.0 HS3040G.3



## HS.3 PUMP EXPLODED VIEW PARTS LIST

ITEM	PART NO.	DESCRIPTION	QTY	ITEM	PART NO.	DESCRIPTION	QTY
1	8.751-217.0	Crankcase	1	26	8.717-225.0	O-Ring Ø 2.62 x61.6	1
2*	See Kit Below	Plunger Oil Seal	3	27	9.802-914.0	Snap Ring	1
3*	See Kit Below	O-Ring Ø1.78 x 31.47	3	28	9.803-168.0	Double Row Ball Bearing	1
4*	See Kit Below	Pressure Ring	3	29	9.803-150.0	Crankshaft (3040G.3)	1
5*	See Kit Below	U-Seal, 15mm	3		9.803-151.0	Crankshaft (3540G.3)	1
6*	See Kit Below	Intermed. Ring 15mm	3		9.803-152.0	Crankshaft (4040G.3)	1
7*	See Kit Below	U-Seal, 15mm	3		9.803-153.0	Crankshaft (5030G.3)	1
8	9.803-199.0	Copper Washer 1/2"	1	30	9.802-945.0	Set Screw	1
9	9.802-926.0	Brass Plug, 1/2"	1	31	9.802-921.0	Oil Dip Stick	1
10	8.751-218.0	Manifold Housing	1	32	9.804-581.0	O-Ring Ø 3.53 x 55.56	1
11*	9.803-191.0	O-Ring Ø2.62 x 17.13	6	33	9.803-161.0	Needle Roller Bearing	1
12*	See Kit Below	Valve Assembly	6	34	8.751-230.0	Gasket	1
13*	9.803-193.0	O-Ring Ø2.62 x 20.29	6	35	8.717-544.0	Screw, Set	1
14	9.802-928.0	Valve Plug	6	36	9.803-183.0	Engine Flange	1
15	9.802-938.0	Manifold Stud Bolt	8	38	9.803-240.0	Flange Screw	4
16	9.802-884.0	Washer	8	39	9.803-142.0	Crankshaft Seal	1
17	9.803-198.0	Copper Washer 3/8"	1	41	9.803-221.0	Spring Washer	4
18	9.802-925.0	Brass Plug 3/8"	2	46*	See Kit Below	Plunger Nut, M6	3
23	9.803-201.0	Washer, M6 x 16	4	47*	See Kit Below	Washer, Copper, 9.2 x 13.5	3
24	9.802-939.0	Hexagonal Screw	9	48*	See Kit Below	Plunger, 15mm	3
25	9.803-184.0	Closed Bearing Housing	1	49*	See Kit Below	Copper Spacer	3



## HS.3 PUMP EXPLODED VIEW PARTS LIST

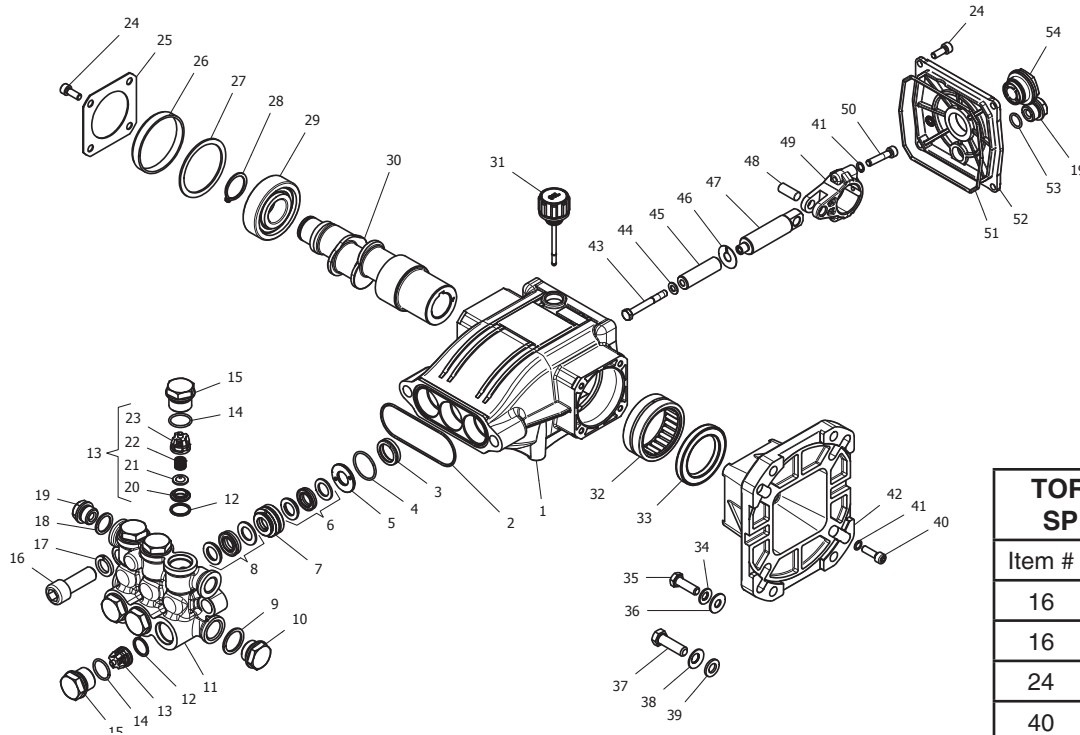
ITEM	PART NO.	DESCRIPTION	QTY
50*	See Kit Below	O-Ring Ø1.78x5.28	3
51*	See Kit Below	Teflon Ring	3
52	8.751-225.0	Plunger Rod	3
53	8.751-228.0	Connecting Rod Pin	3
54	9.803-158.0	Connecting Rod	3
55	9.803-218.0	Spring Washer	6
56	9.803-238.0	Connecting Rod Screw	6
57	8.933-016.0	O-Ring 2.62 x 126.67	1
58	8.751-229.0	Crankcase Cover	1
59	9.803-197.0	O-Ring, Ø 1.78 x 14	1
60	9.803-202.0	Sight Glass, G3/4	1

\* Part available in kit (See below)

REPAIR KIT NUMBER	8.725-358.0	8.725-359.0	8.933-023.0	9.802-603.0	9.802-609.0
KIT DESCRIPTION	Plunger U-Seal 15mm	Complete U-Seal Packing 15mm	Plunger 15mm	Complete Valve	Plunger Oil Seals
ITEM NUMBERS INCLUDED	3, 5, 7	3, 4, 5, 6, 7	46, 47, 48, 49, 50, 51	11, 12, 13	2
NUMBER OF CYLINDERS KIT WILL SERVICE	3	1	1	6	3

# HP3035G1 SERIES PUMP EXPLODED VIEW

8.923-773.0 HP3035G1  
 8.923-774.0 HP3535G1  
 8.923-775.0 HP4035G1



TORQUE SPECS	
Item #	Ft.-lbs
16	65
16	55
24	8
40	10
43	10
50	10

## HP3035G1 SERIES PUMP EXPLODED VIEW PARTS LIST

ITEM	PART NO.	DESCRIPTION	QTY	ITEM	PART NO.	DESCRIPTION	QTY
1	8.754-841.0	Crankcase	1	19	8.707-262.0	Plug, Brass G3/8	2
2	8.754-846.0	O-ring Ø1.78 X 72.75	1	20*	See Kits Below	Valve Seat	6
3*	See Kits Below	Plunger Oil Seal	3	21*	See Kits Below	Valve Plate	6
4*	See Kits Below	O-ring Ø1.78 X 26.7	3	22*	See Kits Below	Valve Spring	6
5*	See Kits Below	Washer, Pressure Ring 14 mm	3	23*	See Kits Below	Valve Cage	6
6*	See Kits Below	U-Seal 14mm	3	24	9.802-939.0	Screw, M6 X 16	8
7*	See Kits Below	Pressure Ring, 14 mm	3	25	8.717-137.0	Bearing Cover	2
8*	See Kits Below	U-Seal, 14 mm	3	26	9.803-954.0	Bearing Seal	1
9	9.803-199.0	Washer, Copper G1/2	1	27	8.754-843.0	Seal Spacer, Crankshaft	1
10	9.802-926.0	Plug, Brass G1/2	1	28	9.802-914.0	Snap Ring, 25 mm	1
11	8.754-853.0	Manifold	1	29	9.803-955.0	Bearing, Ball	1
12*	8.717-233.0	O-ring Ø1.78 X 15.6	6	30	8.754-828.0	Shaft, 1" Hollow 3035G1	1
13*	See Kits Below	Valve Assembly	6		8.754-832.0	Shaft, 1" Hollow 3535G1	1
14*	9.803-948.0	O-ring Ø1.78 X 18.77	6		8.754-833.0	Shaft, 1" Hollow 4035G1	1
15	9.803-949.0	Valve Plug	6	31	8.754-219.0	Oil Dipstick	1
16	8.754-854.0	Bolt, Manifold M14 x 40	2	32	8.754-840.0	Bearing Needle	1
17	8.754-850.0	Washer, Lock	2	33	8.754-826.0	Seal, Crankshaft	1
18	9.803-198.0	Washer, Copper G3/8	1	34	9.802-889.0	Washer	4
				35	9.803-243.0	Screw	4
				36	9.803-215.0	Washer 6 mm	4

## HP3035G1 SERIES PUMP EXPLODED VIEW PARTS LIST

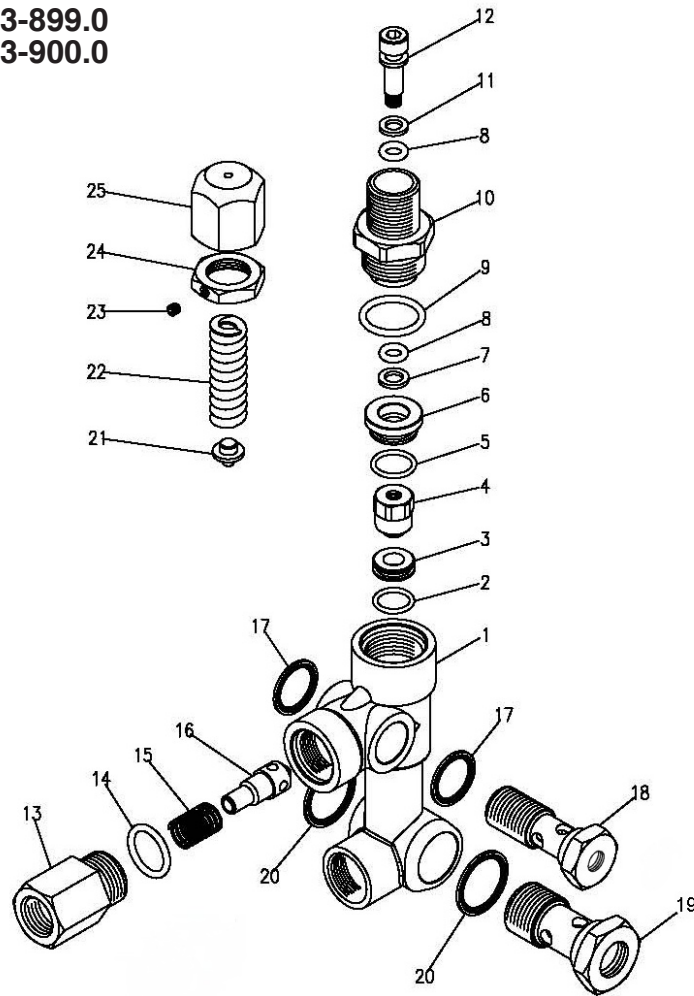
ITEM	PART NO.	DESCRIPTION	QTY
37	9.803-244.0	Screw	4
38	89.803-217.0	Washer	4
39	9.803-216.0	Washer	4
40	8.752-824.0	Screw, M6 x 20	4
41	9.803-218.0	Washer, 6 mm	10
42	8.754-864.0	Flange, Engine	1
43*	8.754-855.0	Bolt, Plunger	3
44*	8.754-092.0	Spacer, Copper	3
45*	8.754-849.0	Plunger, 14 mm	3
46*	9.803-962.0	Spacer, Copper	3
47	8.754-827.0	Plunger Rod	3
48	9.803-965.0	Connecting Rod Pin	3
49	9.803-966.0	Connecting Rod	3
50	8.933-020.0	Screw, Connecting Rod	6
51	8.754-847.0	O-ring Ø2.62 X 111.62	1
52	8.754-842.0	Cover, Crankcase	1
53	9.803-906.0	O-ring Ø1.78 X 14	1
54	9.803-202.0	Sight Glass, G3/4	1

\* Available in kit (See below)

REPAIR KIT NUMBER	8.754-860.0	8.754-861.0	8.754-862.0	8.754-859.0	9.803-937.0
KIT DESCRIPTION	Plunger Seal 15mm	Complete Seal Packing 15mm	Plunger 15mm	Complete Valve	Plunger Oil Seals
ITEM NUMBERS INCLUDED	4, 6, 8	4, 5, 6, 7, 8,	43, 44, 45, 46	12, 13, 14,	3

## VBA UNLOADER EXPLODED VIEW

6.6 GPM @3500 PSI 9.803-899.0  
 6.6 GPM @4000 PSI 9.803-900.0

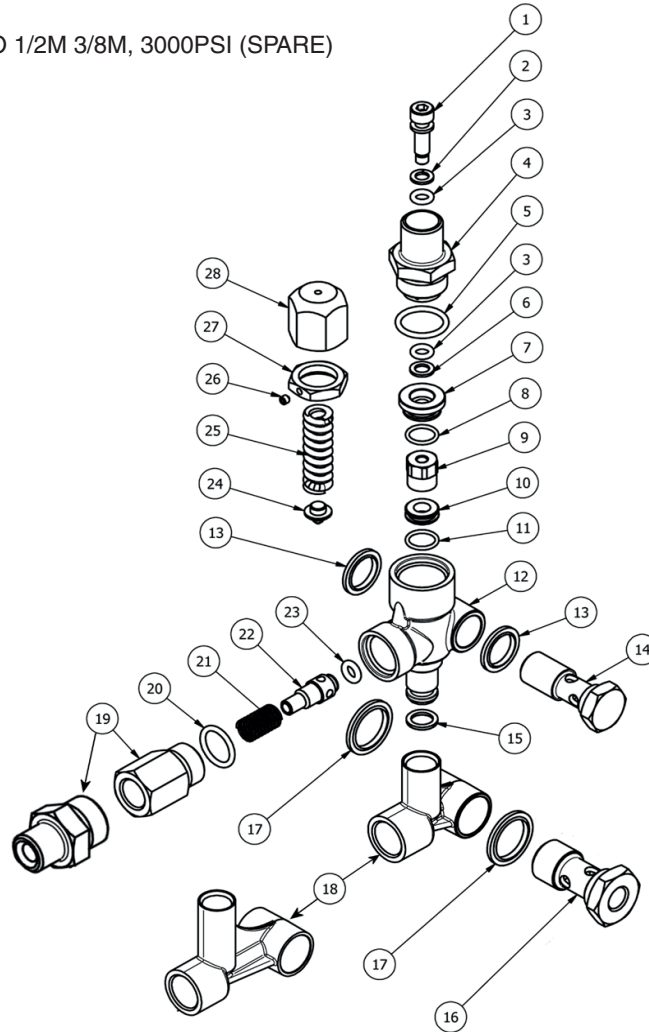


### VBA UNLOADER EXPLODED VIEW PARTS LIST

ITEM	PART NO.	DESCRIPTION	KIT	QTY	ITEM	PART NO.	DESCRIPTION	KIT	QTY
1		Body Valve (KG)		1	17	9.802-893.0	Seal Washer 3/8		2
		Body Valve (KS)		1	18	9.803-915.0	Banjo Bolt 3/8" w 1/8" Pilot		1
2		O-Ring	A,C	1		9.803-919.0	Banjo Bolt 3/8" Solid Cap		1
3		Seat	C	1	19	9.803-920.0	Banjo Bolt 1/2" w 1/4" Pilot		1
4		Ball, Sub-assy	C	1		8.750-105.0	Banjo Bolt 1/2" Solid Cap		
5		O-Ring	A	1		9.803-919.0	Banjo Bolt 3/8" Solid Cap		
6	9.803-907.0	Guide Bushing		1	20	9.803-921.0	Seal Washer 1/2		2
7		Teflon Ring		1	21		Plate	C	1
8		O-Ring	A	1	22		Spring	C	1
9		O-Ring	A	2	23	8.933-021.0	Set Screw		1
10	9.803-911.0	Connector		1	24	9.803-925.0	Nut		1
11		Teflon Ring	A	1	25	9.803-926.0	Brass Handle		1
12	70-120207	Stem	C	1	Kit A	8.717-672.0	O-Ring Repair Kit		
13	9.803-914.0	Connector Female		1	Kit B	8.717-673.0	Outlet Kit		
14		O-Ring	A,B	1	Kit C	8.717-674.0	Stem Repair Kit		
15		Spring	B	1					
16		Poppet	B	1					

## VBT UNLOADER EXPLODED VIEW

8.754-696.0  
UNLOADER, VBT BANJO 1/2M 3/8M, 3000PSI (SPARE)



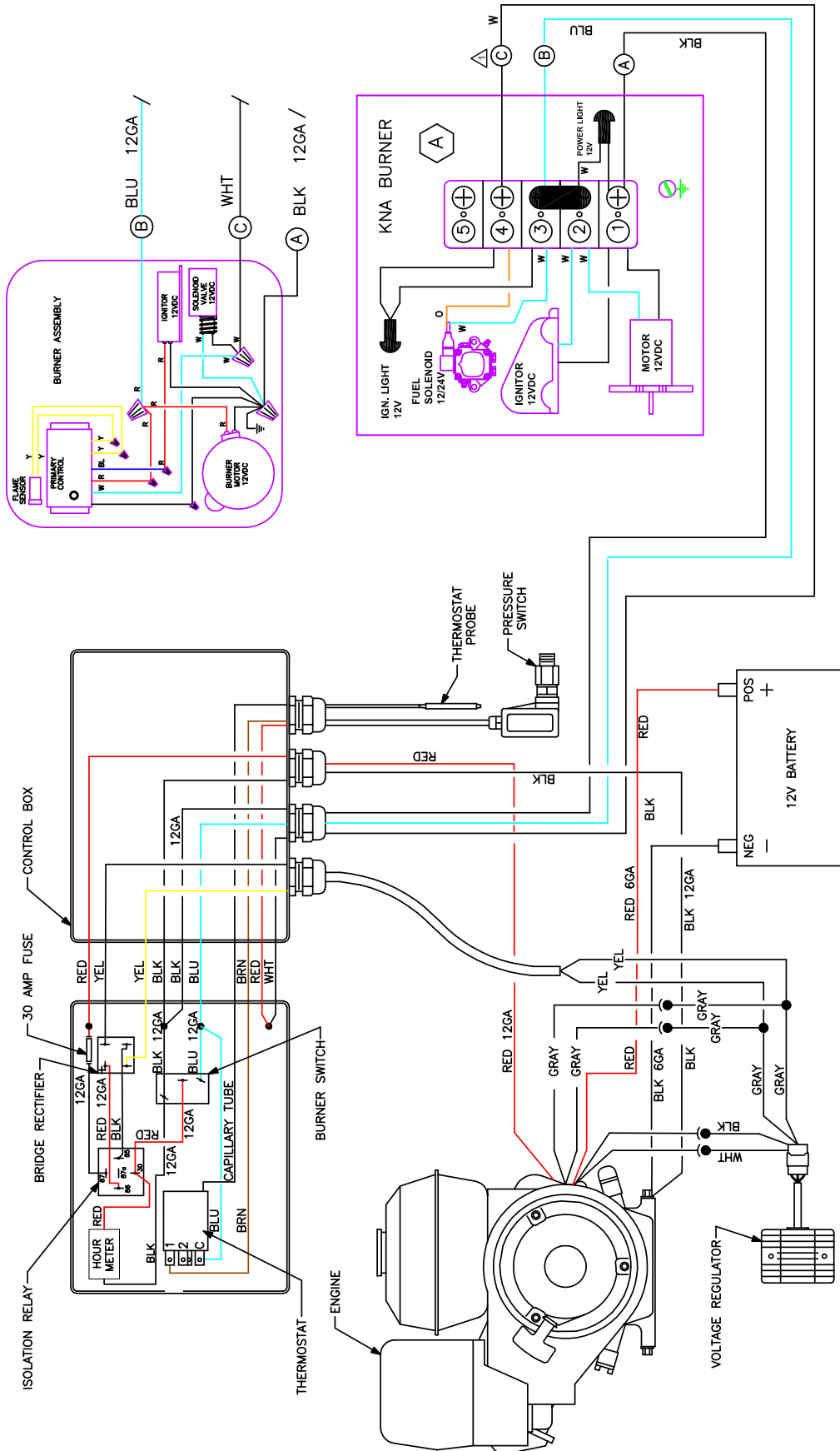
### VBT UNLOADER EXPLODED VIEW PARTS LIST

ITEM	PART #	DESCRIPTION	KIT	QTY	ITEM	PART #	DESCRIPTION	KIT	QTY
1*	8.754-929.0	Stem	C	1	17	9.803-914.0	Seal Washer 1/2)		1
2*	9.803-912.0	Backup Ring	A	1	18	8.754-937.0	Bypass Manifold		1
3*	8.754-930.0	O-ring, Ø2.62 x 6.02	A	2	19	9.802-892.0	Outlet Connector 3/8 MPT		1
4	8.730-882.0	Stem Connector		1	20*	9.803-191.0	O-ring, Ø2.62 X 17.13	A,B	1
5*	9.803-193.0	O-ring, Ø2.62 x 20.24	A	1	21*	8.933-017.0	Poppet Spring	B	1
6*	9.803-908.0	Backup Ring	A	1	22*	8.754-939.0	Poppet	B	1
7	9.803-907.0	Guide Bushing		1	23*	8.754-940.0	O-ring, Ø3 x 6	A,B	1
8*	9.803-906.0	O-ring, Ø1.78 x 14	A	1	24*	8.754-961.0	Plate	C	1
9*	8.754-959.0	Ball SubAssembly	C	1	25*	8.933-018.0	Spring 1500-4000 PSI	C	1
10*	8.754-933.0	Seat	C	1	26	8.933-021.0	Set Screw		1
11*	8.754-934.0	O-ring, Ø1.78 x 12.42	A,C	1	27	9.803-925.0	Nut		1
12	8.754-935.0	Valve Body		1	28	9.803-926.0	Knob, Brass, Unloader		1
13	9.802-893.0	Seal Washer 3/8		1					
14	9.803-919.0	Banjo Bolt 3/8		1					
15*	8.754-936.0	O-ring, Ø2.62 x 10.78	A	1					
16	9.803-920.0	Banjo Bolt, 1/2, w/1/4" Port		1					

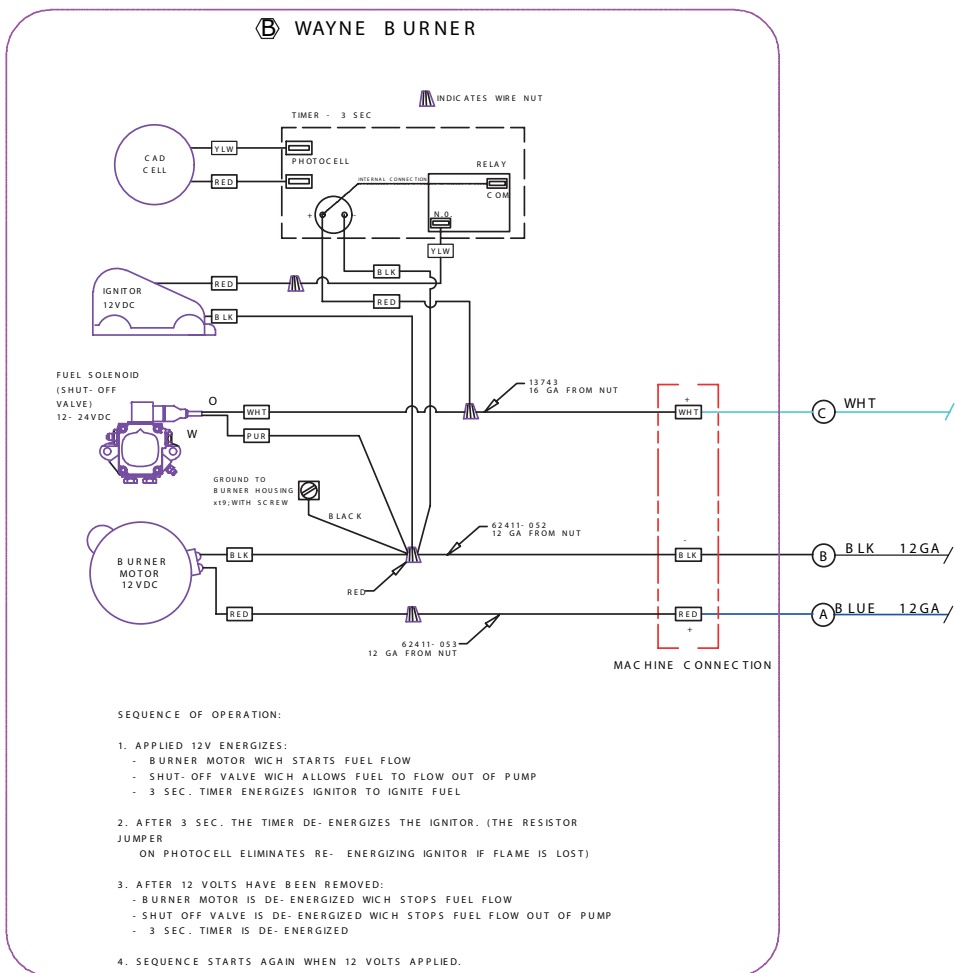
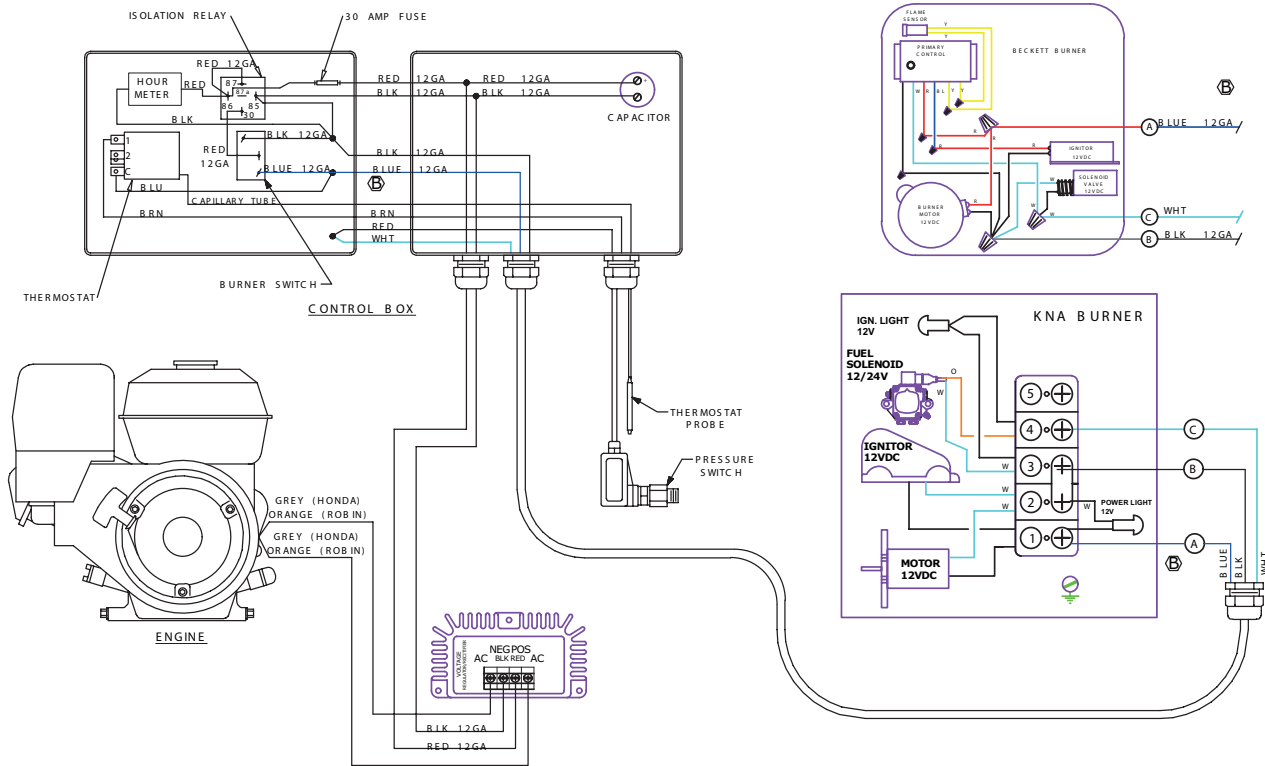
\* Included in Kit

**Kit A** 8.754-941.0 O-Ring Repair Kit  
**Kit B** 8.754-942.0 Outlet Repair Kit  
**Kit C** 8.754-957.0 Stem Repair Kit

# WIRING DIAGRAM - 1065SSE, 1075SSE



# WIRING DIAGRAM - 965SS, 1065SS



If you need **SERVICE** on your pressure washer, contact your local Hotsy dealer or visit [www.Hotsy.com](http://www.Hotsy.com). Smart phone users scan the code below to link directly to the Service Request page.



To **REGISTER** your pressure washer, please visit our Warranty Registration page at [www.hotsy.com/WarrantyRegistration.aspx](http://www.hotsy.com/WarrantyRegistration.aspx) or scan the code below with your smart phone.

