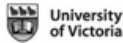


MECH 410 and MECH520
Computer-Aided Design

Introduction
**Modern CAD/CAE/CAM Tools and
Their Applications**

Zuomin Dong, Professor
Department of Mechanical Engineering



Mechanical Engineering

CAD (Mechanical Design Automation)
State of the Art

- **An Essential Tool for Mech. Design and Drafting**
 - Millions of mechanical engineers and designers worldwide use advanced 3-D solid modeling technology (1M in 2000)
 - Even more are using 2-D mechanical drafting (2M in 2000)
- **A Key for Improved Productivity**
 - Entire automobiles, airplanes, and jet engines are being designed in an integrated (CAD/CAE/CAM) manner.
 - Internet is being used to exchange design data worldwide.
 - Products that previously took several years to bring to market can be developed in just months.
 - The products are more reliable, meet customer expectations better, and are less costly to manufacture.

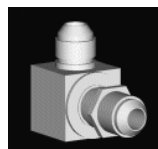


Mechanical Engineering

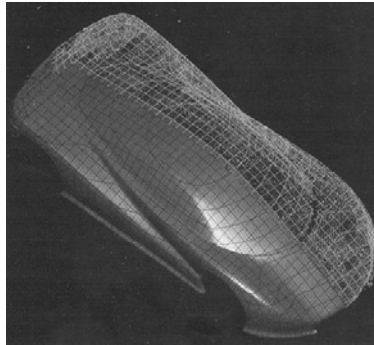
Broad Applications, Many Systems and Rapid Advance of Technology

- **Mechanical Design and Visualization**
 - Detailed Design and Electronic Drafting
 - Parametric Modeling
- **Motion Simulation/Animation**
- **Engineering Analysis and Optimization**
 - Pre- and Post- Graphical Processors for *Finite Element Analysis* (Mechanics, Dynamics, Thermo-flow, etc.)
 - Identification of Optimal Design Parameters and Configurations
 - Motion Analysis (Location, Speed, Acceleration and Force)
- **Manufacturing Planning of Simulation**
 - Machining
 - Industrial Robots

Applications in Mechanical Designs

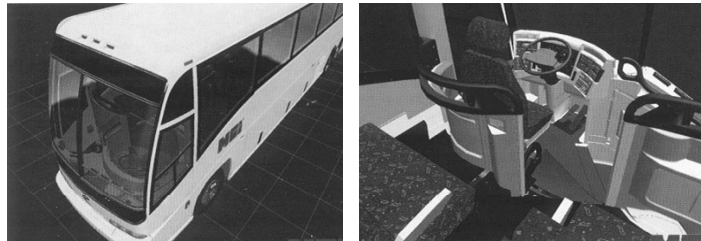


Sculptured Surface Design and Modeling

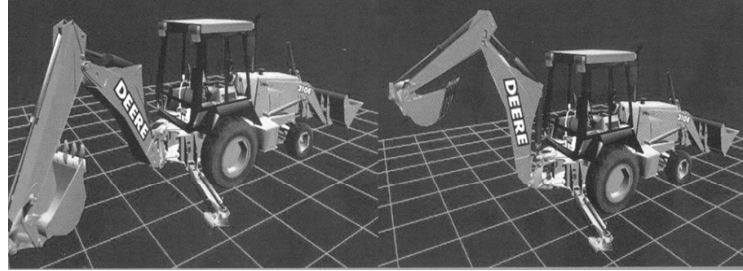


Motion Concept Vehicle, Mississauga, Ontario

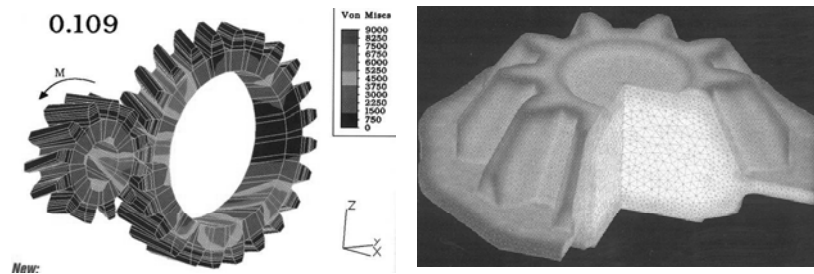
Visual Reality in Architectural Design



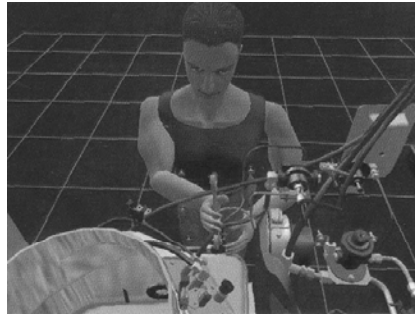
Motion Animation and Simulation (Tractors)



Applications in Stress Analysis



Workspace and Sequence Simulation

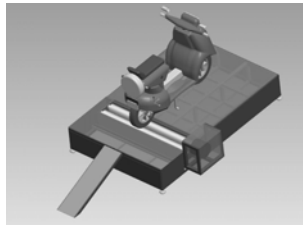
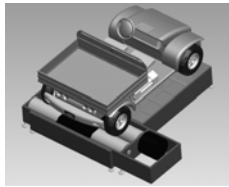
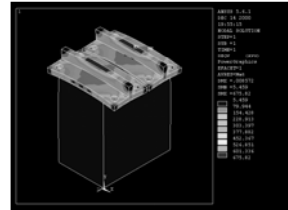
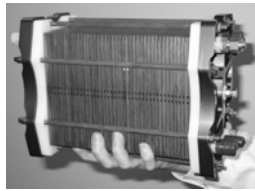
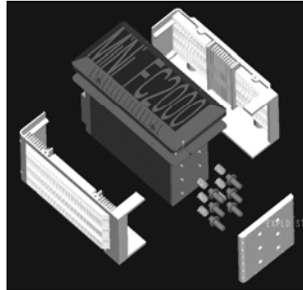


Ergonomics and accessibility test (Jack and Jill)

Integrated CAD/CAE/CAM Systems

- **Professional CAD/CAE/CAM Tools**
 - CATIA (Dassault Systemes - IBM)
 - Unigraphics NX (Electronic Data Systems Corp - EDS)
 - I-DEAS (EDS)
 - Pro/ENGINEER (PTC)
- **Other CAD and Graphics Packages**
 - AutoCAD Mechanical Desktop
 - SolidWorks (CATIA)
 - Solid Edge (EDS)
 - MicroStation
 - Intergraph

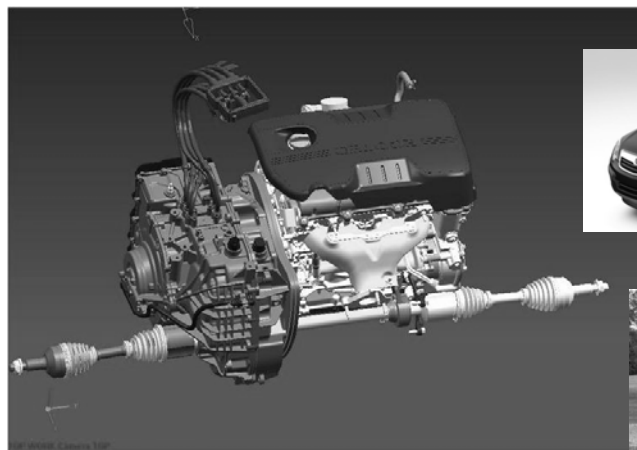
Fuel Cell Vehicle Modeling and Analysis Using Pro/E

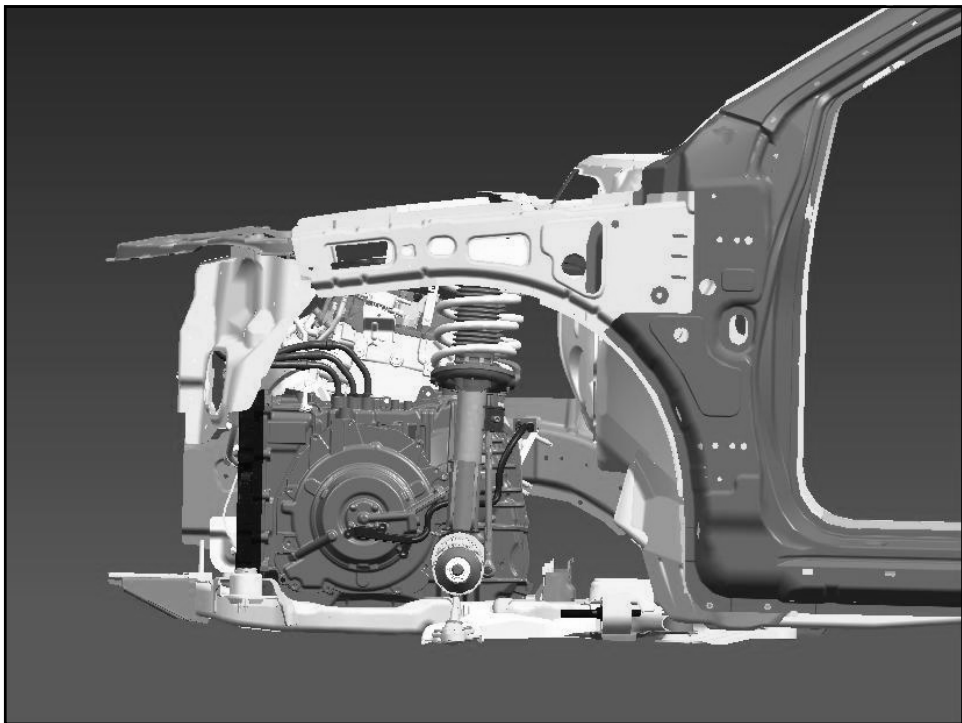
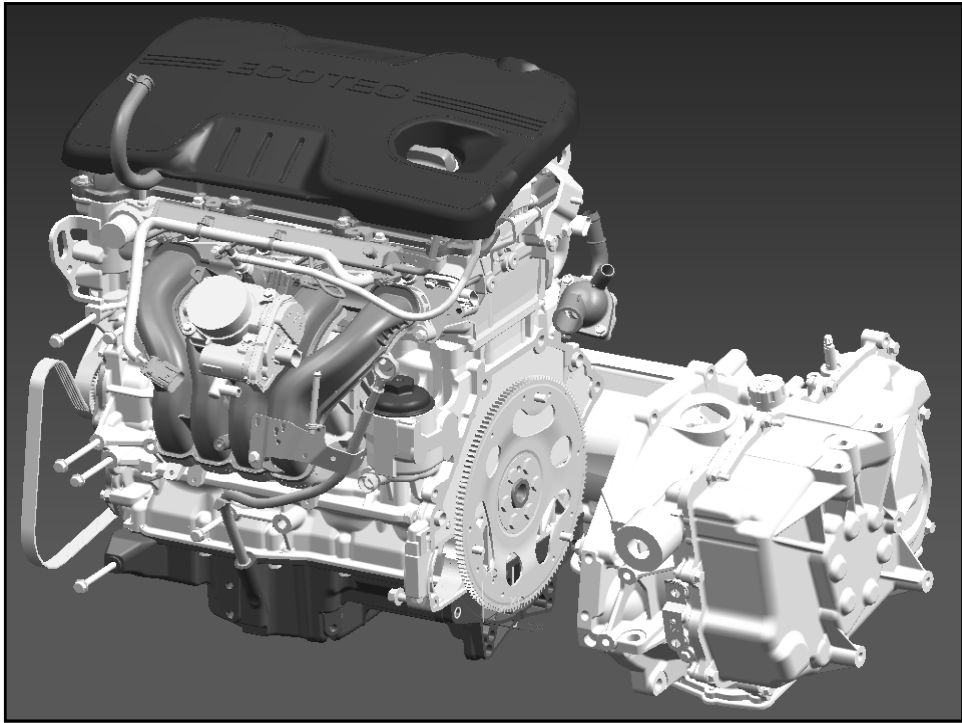


EcoCAR HEV Design and Analysis Using Unigraphics NX

Integrating the GM 2-Mode Transmission into the EcoCAR

Design Team: David Robinson, Degnan Hembroff and Michael Versteeg

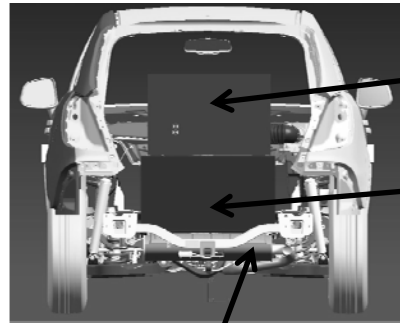




EcoCAR HEV Design and Analysis Using Unigraphics NX

2-Mode AWD Plug-in Hybrid Vehicle Architecture Design

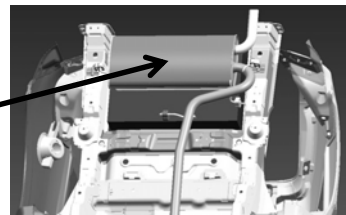
Electrical Team: Jonathan Cronk, Dian Ross, & Mechanical Team: Ian Loughheed



Cargo Envelope (for Emissions measurement equipment)

Battery Envelope
.2205 m³ for 20 kWh

Stock VUE muffler location

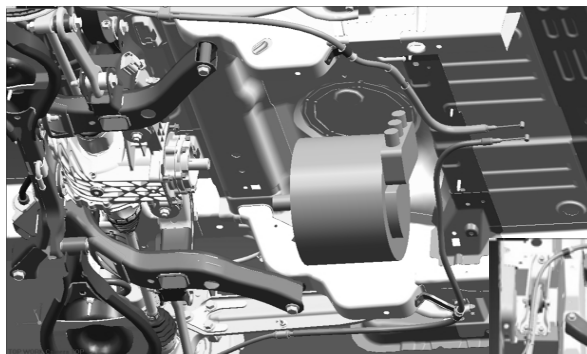


Mechanical Engineering

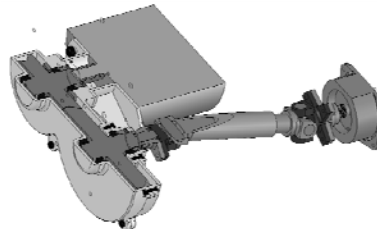
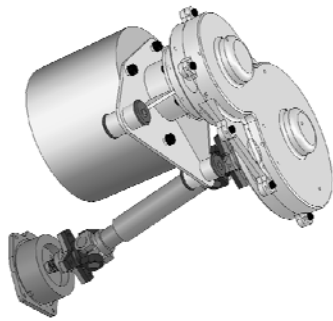
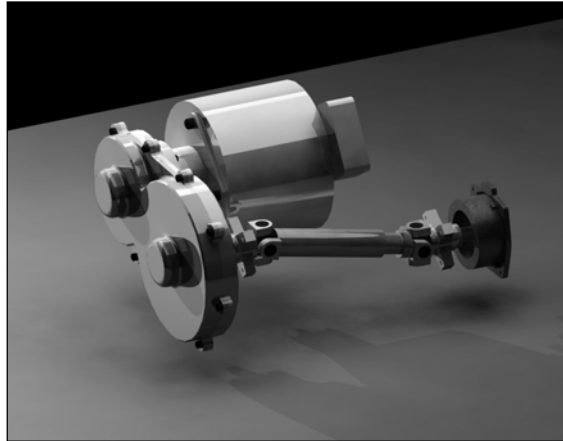
EcoCAR HEV Design and Analysis

Electric Rear Wheel Drive Gearbox

Adam Binley, Jake Soepber, Kyle McWilliam, Bryce Donnelly, Yoshua Ichihashi & Sean Walsh



EcoCAR HEV Design and Analysis Using Unigraphics NX



Integrated CAD/CAE/CAM Systems

- **Professional CAD/CAE/CAM Tools**
 - CATIA (Dassault Systemes - IBM)
 - Unigraphics NX (Electronic Data Systems Corp - EDS)
 - I-DEAS (EDS)
 - Pro/ENGINEER (PTC)
- **Other CAD and Graphics Packages**
 - AutoCAD Mechanical Desktop
 - SolidWorks (CATIA)
 - Solid Edge (EDS)
 - MicroStation
 - Intergraph

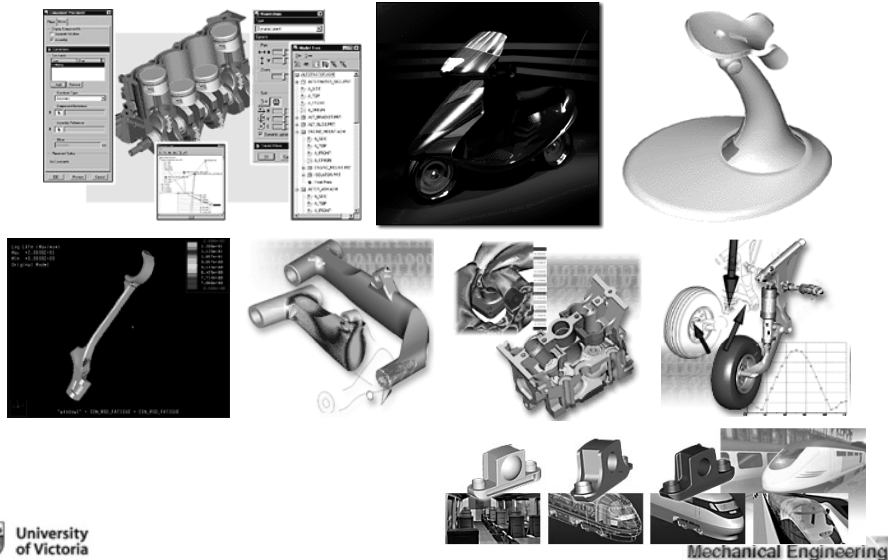
Pro/ENGINEER

- One of the CAD/CAM/CAE industry's leading suppliers of software tools from Parametric Technology Corp. (PTC)
- A pioneer of the new feature-based, parametrically driven design paradigm in late 1980s, now industrial standard.
- A system used to automate the development of a mechanical product from its conceptual design through production.
- Offering integrated software technologies to reduce time to market, improve engineering process, and optimize product quality.
- One of the fastest growing companies in the mechanical design automation market
- Improved user's interface in recent release.



Mechanical Engineering

Pro/ENGINEER



Mechanical Engineering

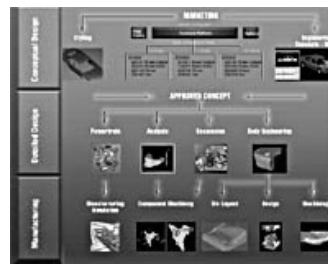
Unigraphics

- A full spectrum design modeling, analysis, simulation, and manufacturing CAD/CAE/CAM software from Unigraphics Solutions
- One of the older and well-established CAD/CAE system.
- A software of choice for a wide variety of applications, especially in automotive and aerospace product development.

Unigraphics



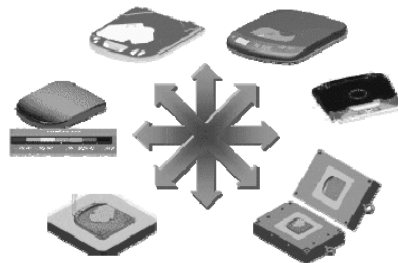
Automotive & Aerospace Virtual Product Development Process



CATIA

- A process-centric CAD/CAM software solution marketed exclusively by IBM and developed by Dassault Systems
- A system used to design and manufacture many complex 3D products. Today, 7 out of every 10 airplanes and 4 out of every 10 cars are designed using CATIA-CADAM Solutions, making it the de facto standard for these markets.
- A software of choice for a wide variety of applications ranging from consumer goods and machinery to plant design and shipbuilding.
- 300,000 CATIA users worldwide, nearly half in English language markets

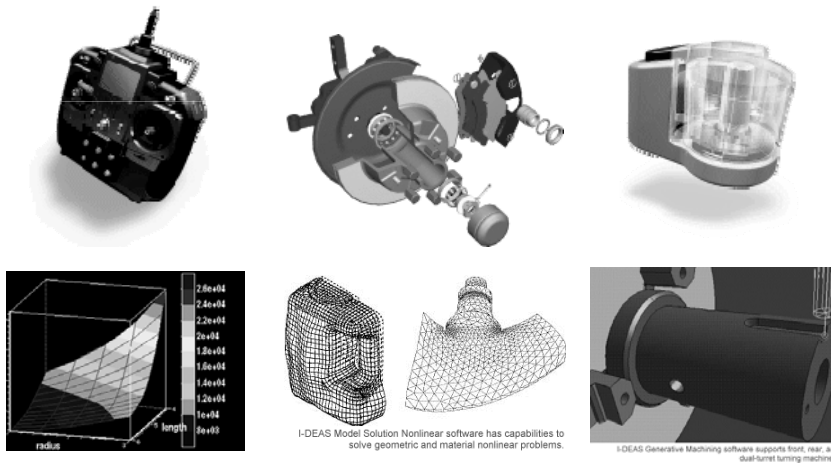
CATIA



I-DEAS

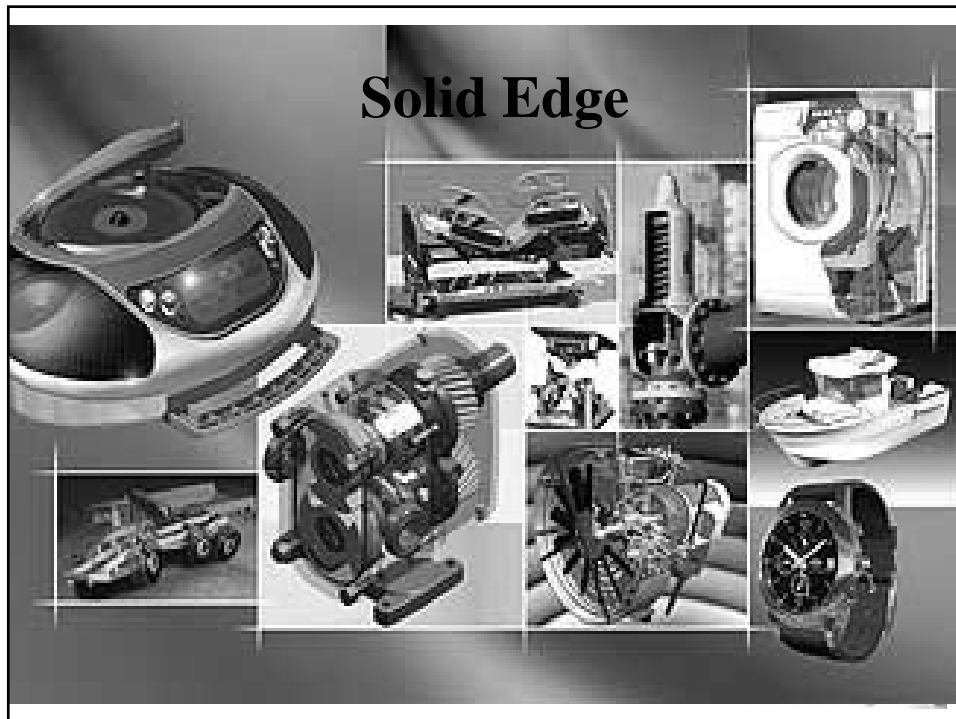
- A full spectrum design modeling, analysis, simulation, and manufacturing CAD/CAE/CAM software from Structural Dynamics Research Corporation (SDRC)
- One of the older and well-established CAD/CAE system, having a significant market share.
- Having very strong CAE capabilities
- A software of choice for a wide variety of applications ranging from consumer goods and machinery to automotive (Ford Motor Company)

I-DEAS



Solid Edge

- Powerful modeling tools
- Integrated design management
- Productivity for large assemblies
- Ease of adoption
- Model faster
- Eliminate errors with engineering aids
- Drafting tools
- Unmatched interoperability
- Design-through-manufacturing

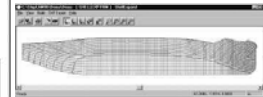
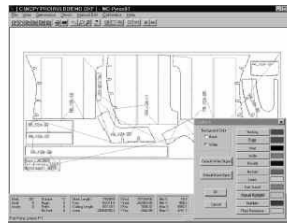
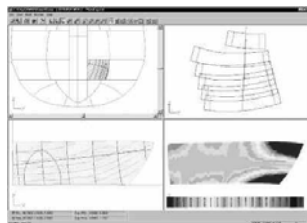
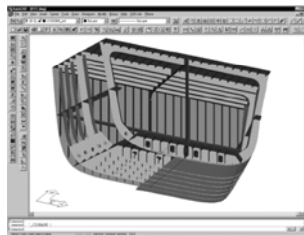


AutoCAD and Mechanical Desktop

- A world's leading PC-based 3D mechanical design package, from AutoDesk Inc.
- Used to be the primary PC drafting package (dealer, PC)
- The world's most popular CAD software due to its lower cost and PC platform
- New features (Mechanical Desktop):
 - ACIS 3.0 Advanced Solid Modeling Engine
 - NURBS Surface Modeling
 - Robust Assembly Modeling and Automated Associative Drafting
- Flexible programming tools, AutoLISP, ADS and ARX

CAD Applications through Programming in AutoCAD

ARL
Advanced Research Laboratory



SolidWorks

- 3D Computer-aided Mechanical Design software from SolidWorks Corp. founded in 1993 and acquired by Dassault System in 1997.
- A leader of the group of new lower-priced mechanical design solution companies based upon component software.
- A system used for designing and engineering parts and assemblies in a completed 3D-centric process linked to automated assembly and drafting functions.
- The first solid modeling program to run in native Windows environments, and sells for a fraction of the cost of similar programs

SolidWorks - COSMOS

SolidWorks - a design automation software package used to produce parts, assemblies and drawings

Package fully embedded within SolidWorks software

- **COSMOSXpress** - an easy-to-use stress analysis tool
- **COSMOSWorks** - stress, frequency, buckling, thermal, and optimization analyses
- **COSMOSMotion** - motion simulation and kinematics.
- **COSMOSFloWorks** - fluid flow analysis with robust capabilities normally found in high-end CFD programs.
- **COSMOSEMS** - 3D-field simulator for low frequency electromagnetic and electromechanical applications
- **COSMOSDesignSTAR™** is a powerful design analysis program that works with most popular CAD programs.

MicroStation

- A premier CAD software for infrastructure engineering and major architectural and civil engineering from Bentley Systems, Incorporated, the worldwide leader in engineering software products, user services and overall quality.
- The software foundation underlying the engineering of well-known buildings, airports, hospitals, highways, bridges and industrial plants throughout the world, used in over 70% of the largest US engineering firms.
- Bentley System now serves over 250,000 professionals in construction engineering, geo-engineering, and mechanical engineering fields.

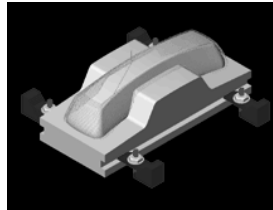
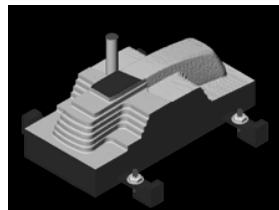
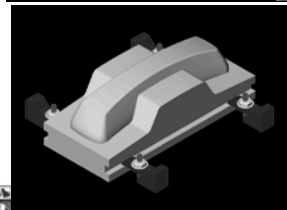
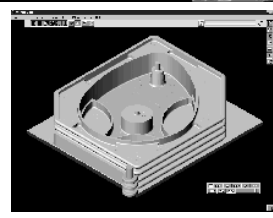
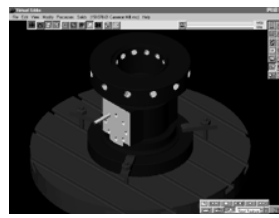
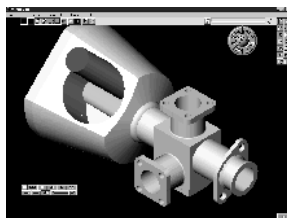
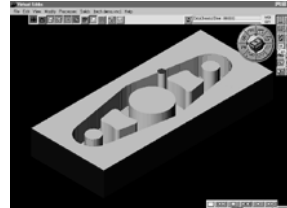
Integrated CAD/CAE Tools

- ANSYS (from ANSYS Inc.)
 - A growth leader in CAE and integrated design analysis and optimization (DAO) software
 - Covering solid mechanics, kinematics, dynamics, and multi-physics (CFD, EMAG, HT, Acoustics)
 - Interfacing with key CAD systems
- NASTRAN (from MacNeal-Schwendler)
 - A powerful structural analysis program for analyzing stress, vibration, dynamic, nonlinear and heat transfer characteristics.
 - PATRAN provides an open flexible MCAE environment for multi-disciplinary design analysis, and simulates product performance and manufacturing processes.
- Pro/MECHANICA (integrated with Pro/E)
 - A system provides an open flexible MCAE environment for multi-disciplinary design analysis, and simulate product performance and manufacturing processes.

Integrated CAD/CAM Tools

- Mastercam (from CNC Software, Inc.)
 - A system for generating 2- through 5- axis milling, turning, wire EDM, lasers, mold base development and 3D design and drafting.
- Virtual Gibbs (from Gibbs and Associates)
 - A powerful, full featured CAM system for NC programming
- Varimetrix (from Varimetrix Corp.)
 - A system with design modeling, CAM (planning, resource management and CNC programming), and drafting
- Pro/MANUFACTURING (integrated with Pro/E)
 - A system for generating machine code (CNC codes for 3 axis milling, turning and wire EDM) to produce parts.

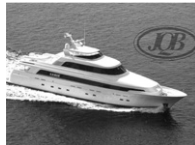
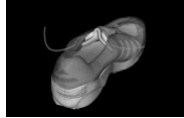
Virtual Gibbs





Integrated CAD/CAM Tools

- SURFCAM (from Surfware Inc. CA)
 - An outgrowth of the Diehl family's machine shop
 - A system for generating 2~5- axis milling, turning, drilling, and wire EDM.
 - Toolpath verification (MachineWorks Ltd.)
- Rhinoceros (NURBS modeling)
 - Industrial, marine, and jewelry designs; cad/cam; rapid prototyping; and reverse engineering

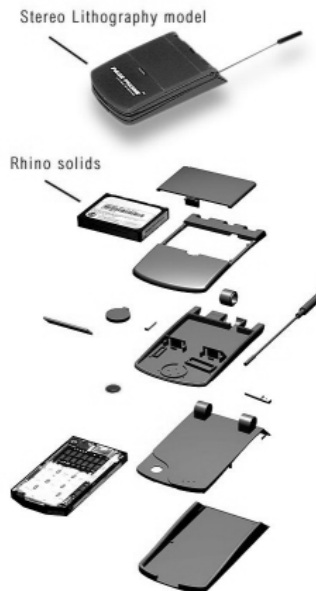


Rapid Prototyping

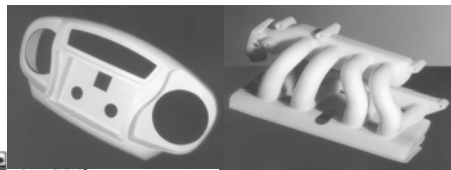
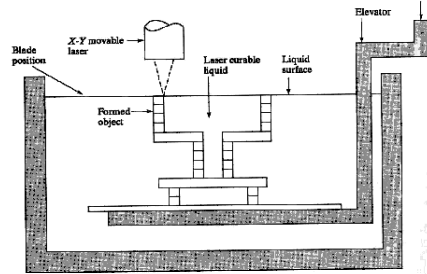
Solid Freeform Fabrication

Building a solid part directly from a CAD model, layer by layer, by material deposition.

- Stereolithography, SLA
- Selective Laser Sintering, SLS
- Laminated Object Modelling, LOM
- Fusion Deposition Modelling, FDM
- 3-D Printing
- Solid Ground Curing, SGC
- Shape Deposition Manufacturing, SDM



Stereolithography SLA employs an ultraviolet laser to cure a thin layer of liquid plastic into a solid. The process operates by taking a thin layer of light-sensitive liquid plastic and passing the beam of a laser over the points where the part is to be solid. Once a pass is complete, another layer of liquid is added to the existing part and the process is repeated until the entire part is constructed.



FREE TEST DRIVE

Z Corporation's 3D Printers create physical models directly from 3D CAD data. We invite you to experience holding a physical model of your design in your hands. Visit our website to receive a physical model of a design you are currently working on.

www.zcorp.com/zoupon/zoupon.shtml

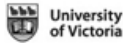
How to Teach Computer-Aided Design?

What to teach?

- Electronic drafting using a Computer-Aided Drafting system
- Design modeling using an advanced CAD/CAE/CAM system
- Computer graphics and data structure
- Engineering optimization
- Finite element analysis
- Soft prototyping
- Customization of CAD systems

MECH410/520 Computer-Aided Design

- Computer Graphics Theory
 - Geometric transformation and geometric modeling
 - Curves and surface modeling
- Advanced CAD/CAE System
 - Pro/ENGINEER design modeling, assembly, and drafting
 - Pro/MECHANICA structure and motion analysis
 - Other Pro/E functions (automated CNC tool path generation)
- An Introduction to Design Optimization
 - Formulating a design optimization problem
 - Common optimization solution methods
 - Major issues in design optimization
- Interactive Graphical Programming
 - Programming in AutoCAD for design, analysis, simulation, etc.
 - Programming in Pro/E
- Application of Integrated CAD/CAE/CAM Systems
 - Virtual prototyping; design optimization; & rapid prototyping



Mechanical Engineering

Technology Advance of CAD

In 1960's

- mechanism design satisfying several geometric constraints
- design parameter optimization
- simple 2-D graphics

In 1970's

- wireframe modeling
- free-form surface modeling – *mainframe computers*

Late 1970's

- solid modeling

Early 1980's

- turn-key CAD systems
- CAD/CAM integration
- mechanical feature recognition from a CAD database

Computer-Aided Design



Technology Advance of CAD

Middle 1980's

- feature-based CAD system – *mini and micro computers*
- parametric design – *PC's & Turnkey systems*
(Pro/ENGINEER Products)

Late 1980's

- design for manufacturing
- design for automated assembly

Early 1990's

- concurrent engineering design
- integrated design, analysis and optimization

Present

- integrated design, analysis and optimization
- virtual-prototyping and automated design optimization
- Internet based design automation

Computer-Aided Design



Unique Characteristics of A CAD System

- Combining the precision of electronic graphics and the mathematical processing power of a digital computer
- Design automation and integration of analysis, animation/simulation, planning and manufacturing
- Optimization

Computer-Aided Design



Functions of CAD Systems

- **The Primary Capability – Generating Perfect Scale Drawings**
 - accurate scale line drawings in 2D and 3D
 - model of sculptured surfaces
 - solid model of objects

This capability sets CAD apart from other uses of computer
- **Many Diverse Capabilities**
 - artistic creation of shaded 3D shapes and patterns
 - automatic generation of design databases
 - facilitating engineering analysis
 - providing input to, monitoring, simulating and controlling manufacturing activities.

Computer-Aided Design



Functions of Computer-Aided Geometry Design – (a)

- **Specification of Design Geometry**
 - Computer-aided drafting (interactive graphics and user interface)
 - Customizing CAD systems
- **Geometric Modeling and Representation**
 - Computer model of part and assembly design (data structure and data base design)
- **Visualization**
 - Architecture view of a design
 - Computer games and education programs
- **Generation of Manufacturing Oriented Database**
 - Feature-based design
 - Parametric design
- **Animation and Simulation**
 - Mechanism
 - CNC machining
 - Robot trajectory
 - Automobile crash

Computer-Aided Design



Functions of Computer-Aided Geometry Design – (b)

Tolerance Representation and Automated Tolerancing

- Dimension relation analysis
- Tolerance analysis (error stack-up)
- Tolerance synthesis (tolerance design, tolerance specification)

Pre- and Post-interfaces to Finite Element Analysis Programs

- Automated mesh generation
- Graphical display of stress distribution

Design Automation

- Design optimization
- Design for manufacturing
- Design for automated assembly
- Concurrent engineering design

Virtual (or Soft) Prototyping

Reverse Engineering

Computer-Aided Design



Information Embedded in a CAD System

- Graphical Information
 - Part geometry
 - Topological and assembly relations
- Textual Information
 - Dimensions
 - Tolerances (dimensional & geometric)
 - Materials
 - Surface finishes

Computer-Aided Design



Data Organization in CAD Systems

- **Past Approach**

The geographical information is represented using low level graphical elements such as points, lines, arcs, etc.

The textual information is represented as texts, notes and symbols attached to a drawing.

- **Ideal/Present Approach – feature-based modeling**

To represent part geometry using high-level feature primitives such as holes, slots, pockets, etc. (consistent to the engineering practice), and to represent dimensions, tolerances, surface finishes, etc. as meaningful design entities.

Computer-Aided Design



Tools Commonly Used in Computer Aided Design

- Representing geometric shape
 - Computer graphics (2D)
 - Geometric modeling (3D)
- Interactive Graphical Programming
 - Programming on different platforms
 - Graphical User Interface
- Manipulating and storing design data
 - Data structure design
 - Database system
- Generating feasible designs (automatically)
 - Knowledge reasoning
 - Knowledge-based system
 - Fuzzy logic
 - Artificial neural networks
- Evaluating design alternatives and identifying the optimal solution
 - numerical optimization
 - finite elements method
 - cost modeling and analysis

Computer-Aided Design



PACE - Partners for the Advancement of CAD/CAM/CAE Education

To integrate 3-D solid modeling and other parametrics-based CAD/CAM/CAE applications (Unigraphics-related) into the curricula of strategically selected academic institutions worldwide (1999-)

- Participating Industry
 - General Motors Corp.,
 - Sun Microsystems, and
 - EDS
- Donations
 - computer-aided design, manufacturing, and engineering software
 - Unigraphics, IDEAS, SolidEdge
 - hardware (Sun workstations) and
 - training to universities
 - automotive parts, and
 - collaborative industry projects for students.

Computer-Aided Design



Universities Receiving A PACE Donation

- A long-term relationship with GM as a primary educational partner
- A strong product development and manufacturing curriculum
- An adequate infrastructure of facilities, maintenance systems and personnel to support the donated hardware and software
- A willingness to integrate Unigraphics software into the engineering curriculum
- Participants
 - Michigan State University; Michigan Technological University; University of Missouri-Rolla; Tuskegee University; Kettering University; Northwestern University; Prairie View A&M University
 - University of Toronto; University of Waterloo; Queens University; University of British Columbia

Computer-Aided Design



Academic Product Bundles from PLM Solutions

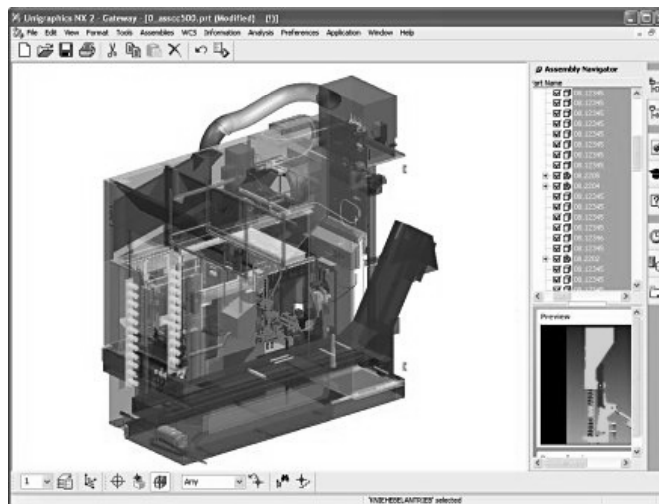
- Unigraphics NX,
- I-deas NX Series,
- Solid Edge,
- E-Factory,
- Teamcenter,
- Parasolid and
- Open Enterprise Visualization Applications Software.

Computer-Aided Design



Larger Assemblies

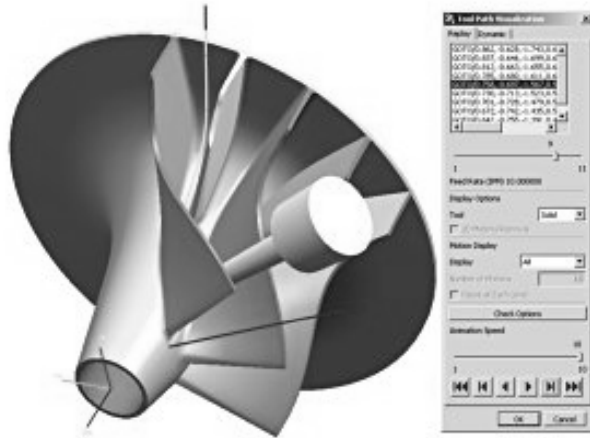
Hermle CNC assembly comprises 1,300 unique parts—4,000 components total



Computer-Aided Design



Machines High-Tolerance Surfaces



Computer-Aided Design



Stress Analysis (both shell and solid elements)



Computer-Aided Design



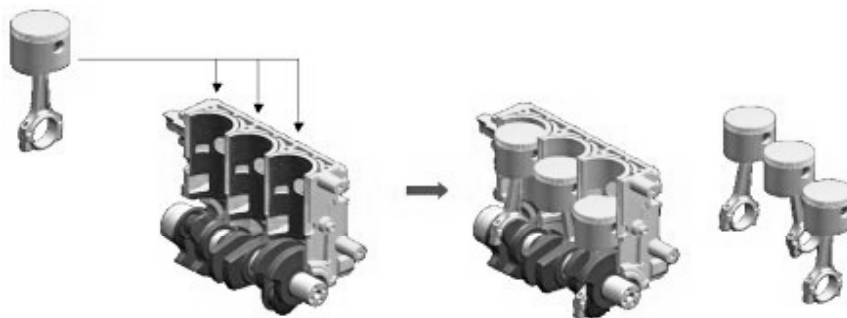
Photorealistic Rendering of Concepts or Finished Models



Computer-Aided Design



Integrated Digital Simulation and System-based Modeling



Computer-Aided Design



Unigraphics	UGACAD100, UGACAD300 (initialization/renewal)
I-DEAS	A502
Solid Edge	SE292-ENG-MT, SE293 (SE w/ UG & or I-DEAS SE291 (Single User)
E-Factory	EFACAD100, EFACAD102, VS10414, EFACAD300
OEV	OEVACAD102, OEVACAD103, VS20515 OEVACAD300 (initialization/renewal)
FEMAP	E004: FEMAP Professional Floating, E302: FEMAP Structure Solver, E009: FEMAP Demo (no cost)
TeamCenter Modules	IM11500: iMAN e-Server, IM11520: iMAN Author License IM11650: iMAN UG/ Integration, PV11805: Product Vision Portal Viewer
SLATE Modules	SL8-3611: SLATE Architect, SL8-3622: SLATE Require SL8-3666: SLATE Activator Authoring, SL8-3699: SLATE

Computer-Aided Design

