



Manufacturers of
Fire Protection Equipment



MONITOR/NOZZLE CATALOG

Fire Pro Division
2015



FIRE PROTECTION EQUIPMENT THAT HITS THE MARK

Fire Pro, manufacturer of high-flow monitors and nozzles, together with Potter Roemer, the industry leader in fire protection equipment, provides an all-encompassing line of fire protection equipment and accessories. Products are backed by Potter Roemer's history of quality engineering since 1937.

Since its inception in 1979, Fire Pro's mission, "To manufacture quality products at an affordable price with short, reliable lead times" still holds true, making Fire Pro a successful division of Potter Roemer. Monitors and nozzles from Potter Roemer Fire Pro are essential in mining industries, oil refineries, and petrochemical settings for fire protection, dust abatement, cleaning, and many other uses requiring precise high-flow water delivery.

Whether it's a standard, modified, or a custom product for a specific application, Fire Pro takes pride in delivering with personalized customer service, tailored design and engineering. Fire Pro works with the customer's location and need to design anything, whether it's a modification to an existing product or a one-of-a-kind design for a specific application. Because every product should hit the mark in function, reliability, and pricing.

CONTENTS

MONITORS

Manual/Station	4
Brass	10
Oscillating	12
Portable	14
Remote Control	16
Elevated	18
Accessories	20

NOZZLES

Direct Connect	22
Fog	23
Ball Shutoff	23
Smooth Bore	24
Master Stream	25
Speciality	26

FOAM

Foam Trailers & Tanks	28
-----------------------------	----

CUSTOM

Custom Fabrication	30
--------------------------	----



STANDARD PRODUCTS

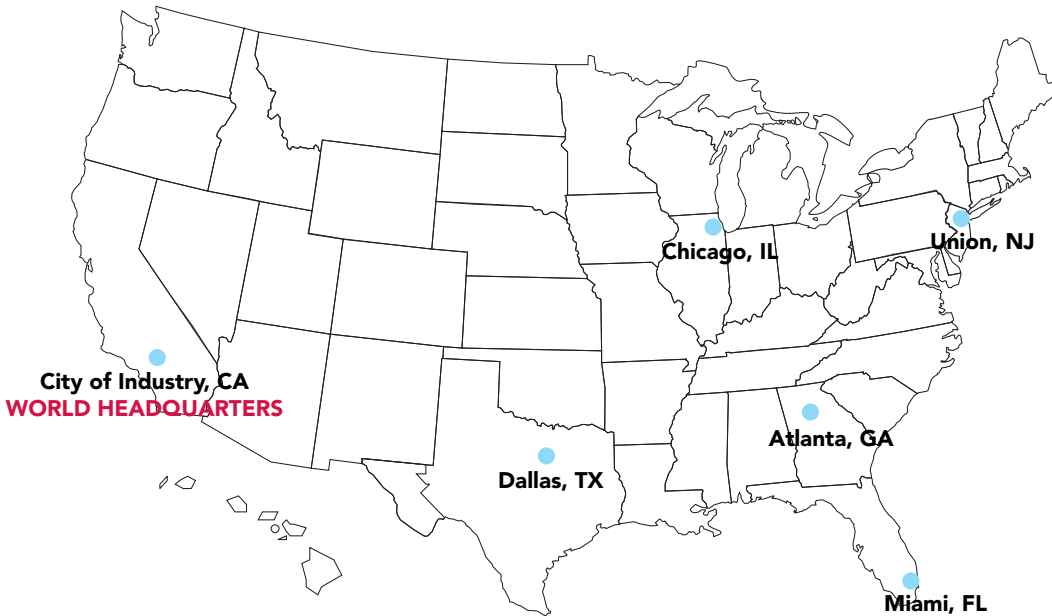


CUSTOM PRODUCTS

CUSTOM FABRICATION

Potter Roemer-Fire Pro, a California-based manufacturer, takes pride in meeting the specific needs of our clients. If you can think it, we can make it—no matter how big, or small, your needs may be. From conceptualization and design, to installation, calculation, troubleshooting, and even maintenance, we're with you. If you need 100 units, or just a one-off, custom-tailored system, we guarantee you the best in support, reliability, and value. Just ask any of our thousands of satisfied customers.

US DISTRIBUTION CENTERS



All international markets served

Manufactured in the USA 

MARKETS

- Marine
- Wastewater
- Chemical/Petrochemical
- Pulp and paper
- Mining
- Oil refining
- Water truck- off road/on road
- Wildland vehicles

MONITORS

Potter Roemer/Fire Pro® station monitors were specifically designed to meet all requirements of municipal and petrochemical applications. They ensure the most precisely directed stream of water with a large variety of options. Manual or motorized choices, and different base options, flow rates, and pressure specifications make it easy to choose the right monitor for the job.

The balanced flow single waterway design configuration and precision machining on swivel joints reduces friction loss while improving stream and distance, and ensures ease of operation at all pressure/flow ranges. Other details, like stainless steel components and standard red epoxy powder coating inside and out, protect against corrosion. Monitors are designed to consider space, performance, and ease of use.

Standard Features:

- Seamless carbon steel, stainless steel or brass construction
- Zerk fitting for lubrication
- Operates easily at all pressure ranges
- Low friction loss
- 90° vertical travel
- 360° horizontal travel
- 30 - 1,200 GPM (114-4542 LPM)





STATION MONITORS

Model	Height in (mm)	Width in (mm)	Weight lbs (kg)	Inlet in (mm)	Outlet in (mm)	GPM GPM (LPM)
FP1-30	18 (457)	9-1/4 (235)	15 (7)	1 (25) flange base	1 (25)	30 (114)
FP1(F/M)-30	18 (457)	9-1/4 (235)	12 (5)	1 (25) NPT (F)	1 (25)	30 (114)
FP1-125	18 (457)	11 (279)	20 (9)	1-1/2 (38) flange	1-1/2 (38)	125-350 (473-1325)
FP1(F/M)-125	18 (457)	11 (279)	20 (9)	1-1/2 (38) NPT (F)	1-1/2 (38)	125-350 (473-1325)
FP2-750	22 (559)	13 (330)	45 (20)	2-1/2 (64) flange	2-1/2 (64)	750 (2839)
FP2(F/M)-750	22 (559)	13 (330)	45 (20)	2-1/2 (64) NPT (F/M)	2-1/2 (64)	750 (2839)
FP3-750	28 (711)	16 (406)	52 (24)	3 (76) flange	2-1/2 (64)	750 (2839)
FP3(F/M)-750	28 (711)	16 (406)	52 (24)	3 (76) NPT (F/M)	2-1/2 (64)	750 (2839)
*FP4-750	32 (813)	22 (559)	52 (24)	4 (102) flange	2-1/2 (64)	750 (2839)
FP3-1200	28 (711)	16 (406)	52 (24)	3 (76) flange	3 (76) waterway with 2-1/2 (64) male thread	1,200 (4542)
FP4-1200	32 (813)	22 (559)	52 (24)	4 (102) flange	3 (76) waterway with 2-1/2 (64) male thread	1,200 (4542)
FP3(F/M)-1200	28 (711)	16 (406)	52 (24)	3 (76) NPT (F/M)	3 (76) waterway with 2-1/2 (64) male thread	1,200 (4542)

BRASS MONITORS

Model	Height (in/mm)	Width (in/mm)	Weight (lbs/kg)	Inlet (in/mm)	Outlet (in/mm)	GPM (GPM/LPM)
FP3-750 (B)	28 (711)	16 (406)	52 (24)	3 (76) flange	2-1/2 (64)	750 (2839)
*FP4-750 (B)	32 (813)	22 (559)	52 (24)	4 (102) flange	2-1/2 (64)	750 (2839)

DECK MONITORS

Model	Height (in/mm)	Width (in/mm)	Weight (lbs/kg)	Inlet (in/mm)	Outlet (in/mm)	GPM (GPM/LPM)
FP2SD-750	22 (559)	13 (330)	47 (21)	2-1/2" flange	2-1/2 (64)	750 (2839)
FP3SD-750	28 (711)	16 (406)	54 (25)	3 (76) flange	2-1/2 (64)	750 (2839)
FP4SD-750	32 (813)	22 (559)	54 (25)	4 (102) flange	2-1/2 (64)	750 (2839)
FP2(F/M)SD-750	22 (559)	13 (330)	47 (21)	2-1/2 (64) NPT (F/M)	2-1/2 (64)	750 (2839)
FP3(F/M)SD-750	28 (711)	16 (406)	54 (25)	6 (1372) flange	2-1/2 (64)	750 (2839)
FP3SD-1200	28 (711)	16 (406)	54 (25)	3 (76) flange	2-1/2 (64)	1,200 (4542)
FP4SD-1200	32 (813)	22 (559)	54 (25)	4 (102) flange	2-1/2 (64)	1,200 (4542)
FP3(F/M)SD-1200	28 (711)	16 (406)	54 (25)	3 (76) NPT (F/M)	2-1/2 (64)	1,200 (4542)



All dimensions are in Inches(millimeters), Pounds (kilograms) Gallons (liters)

SHORT RADIUS MONITORS

Model	Height (in/mm)	Width (in/mm)	Weight (lbs/kg)	Inlet (in/mm)	Outlet (in/mm)	GPM (GPM/LPM)
FP2SR-750	16 (406)	11 (279)	35 (15)	2-1/2 (64) flange	2-1/2 (64)	750 (2839)
FP3SR-750	22 (559)	13 (330)	45 (20)	3 (76) flange	2-1/2 (64)	750 (2839)
FP2SR(F/M)-750	16 (406)	11 (279)	35 (15)	2-1/2 (64) NPT - female or male	2-1/2 (64)	750 (2839)
FP3SR(F/M)-750	22 (559)	13 (330)	45 (20)	3 (76) NPT male or female	2-1/2 (64)	750 (2839)
FP3SR-1200	22 (559)	13 (330)	45 (20)	3 (76) flange	2-1/2 (64)	1,200 (4542)
FP4SR-1200	22 (559)	13 (330)	45 (20)	4 (102) flange	2-1/2 (64)	1,200 (4542)
FP3SR(F/M)-1200	22 (559)	13 (330)	45 (20)	3 (76) NPT male or female	2-1/2 (64)	1,200 (4542)

4" & 6" STATION MONITORS

4" (102mm) and 6" (152mm) diameter waterways are designed for applications that require large volumes of water with minimal manpower or friction loss. Large volume streams are ideally suited for breaking through thermal updrafts on tank fires, covering large areas quickly for vapor recovery, and for fireboat applications. Monitors can also be furnished with manifolds that are custom-built for specific requirements with Storz Quick Connect couplings 4" (102mm), 5" (127mm), or 6" (152mm) as required.

OPTIONS:

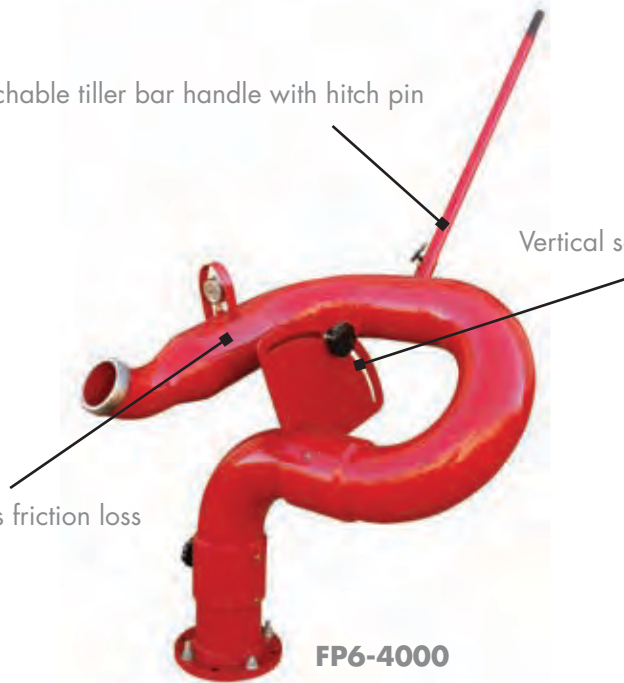
6" (152mm) discharge thread

2000 (7571) & 4000 (15142) GPM (LPM)

Detachable tiller bar handle with hitch pin

Vertical safety blade lock control

Greater flow capability with less friction loss



FP6-4000

2000-4000 GPM

Model	Height (in/mm)	Width (in/mm)	Weight (lbs/kg)	Inlet (in/mm)	Outlet (in/mm)	GPM (GPM/LPM)
FP4-2000	32 (813)	22 (559)	135 (61)	4 (102) flange	4 (102)	2,000 (7571)
FP6-4000	44 (1118)	37 (940)	270 (122)	6 (152) flange	6 (152) waterway and 4 (102) NH male stainless steel discharge thread*	4,000 (15142)



SNORKEL MONITOR

Models in this configuration feature a 180-degree vertical travel that is ideal for tank cleaning and any other washdown applications. Like all monitors from Fire Pro, heavy-duty construction and red epoxy finish stand up to the rigorous use found in municipal and industrial environments.

Standard Features:

- 1 1/2" (38mm) & 2 1/2" (64mm) steel waterway
- Type 304 stainless steel swivels
- 360° continuous horizontal travel
- 180° vertical travel
- 125 & 750 GPM (473 & 2839 LPM)

OPTIONS:

Stainless steel waterway

Other colors available

Nozzles sold separately



FP3SN-750

125 & 750 GPM

Model	Height (in/mm)	Width (in/mm)	Weight (lbs/kg)	Inlet (in/mm)	Outlet (in/mm)	GPM (GPM/LPM)
FP1SN-125	18 (457)	11 (279)	20 (9)	1-1/2 (38)	1-1/2 (38) 150# RF flange	125 (473)
FP1MSN-125	18 (457)	11 (279)	20 (9)	1-1/2 (38)	1-1/2 (38) 150# RF flange	125 (473)
FP1FSN-125	18 (457)	11 (279)	20 (9)	1-1/2 (38)	1-1/2 (38) 150# RF flange	125 (473)
FP2SN-750	22 (559)	16 (406)	52 (24)	2-1/2 (64)	2-1/2 (64) 150# RF flange	750 (2839)
FP3SN-750	22 (559)	16 (406)	52 (24)	2-1/2 (64)	3 (76) 150# RF flange	750 (2839)
FP4SN-750	22 (559)	16 (406)	52 (24)	2-1/2 (64)	4 (102) 150# RF flange	750 (2839)
FP6SN-750	22 (559)	16 (406)	52 (24)	2-1/2 (64)	6 (152) 150# RF flange	750 (2839)

STAINLESS STEEL MONITORS

Stainless steel monitors from Fire Pro reflect the highest standards in the industry. Their 100-percent, type 304 stainless steel construction is corrosion-resistant and available in a high-polish finish. A vertical blade lock, parallel control handle, pressure gauge, and vinyl-dipped steering wheel control (#3523) with polished stainless steel connector bracket are all options that create a monitor tailored for distance, accuracy and reliability.

Standard Features:

- 100% type 304 stainless steel (corrosion-resistant) construction
- Type 304 stainless steel ball bearings in joints to ensure easy movement and reliable operation
- Double seal swivels
- "Fluted" black phenolic lock knobs with molded-in stainless steel studs

OPTIONS:

Parallel handle, steering wheel handle

360 degree horizontal rotation

135 degree vertical rotation

Optional pressure gauge and guard

125, 750, 1,200 & 2,000 GPM (473, 2839, 4542, 7571 LPM) available

1-1/2" (38mm), 2-1/2" (64mm), and 4" (102mm) sizes



FP3-1200-LAC



Monitor, 3" hydraulic, 316 (polished)

125 GPM

Model	Height (in/mm)	Width (in/mm)	Weight (lbs/kg)	Inlet (in/mm)	Outlet (in/mm)	GPM (GPM/LPM)
FP1S-125	18 (457)	11 (279)	20 (9)	1-1/2 (38) flange	1-1/2 (38)	125 (473)
FP1(F/M)S-125	18 (457)	11 (279)	20 (9)	1-1/2 (38) NPT male or female	1-1/2 (38)	125 (473)

750 GPM

Model	Height (in/mm)	Width (in/mm)	Weight (lbs/kg)	Inlet (in/mm)	Outlet (in/mm)	GPM (GPM/LPM)
FP3S-750	28 (711)	16 (406)	52 (24)	3 (76) flange	2-1/2 (64)	750 (2839)
FP4S-750	32 (813)	22 (559)	52 (24)	4 (102) flange	2-1/2 (64)	750 (2839)
FP2S(F/M)-750	22 (559)	13 (330)	45 (20)	2-1/2 (64) NPT male or female	2-1/2 (64)	750 (2839)
FP3S(F/M)-750	28 (711)	16 (406)	52 (24)	3 (76) NPT male or female	2-1/2 (64)	750 (2839)

1200 & 2000 GPM

Model	Height (in/mm)	Width (in/mm)	Weight (lbs/kg)	Inlet (in/mm)	Outlet (in/mm)	GPM (GPM/LPM)
FP3-1200-LAC	22 (559)	13 (330)	45 (20)	3 (76) flange w/ parallel control handles	2-1/2 (64)	1,200 (4542)
FP3S-1200	22 (559)	13 (330)	45 (20)	3 (76) flange	2-1/2 (64)	1,200 (4542)
FP4S-1200	22 (559)	13 (330)	45 (20)	4 (102) flange	2-1/2 (64)	1,200 (4542)
FP4S-2000	22 (559)	13 (330)	45 (20)	4 (102) flange w/ 4" NST-M tip	4 (102)	2,000 (7571)

BRASS & BRONZE MONITORS

With the highest level of protection against corrosion, bronze monitors are ideal for withstanding extreme weather, industrial rigors, and petrochemical exposure often found in marine, offshore, and industrial environments.

Standard Features:

- Durable powdercoating reinforces protection against the elements and ensures a long service life
- Double row of stainless steel ball bearings in all rotation joints ensure easy movement under pressure
- Cast-in turning vanes for efficient flow
- ANSI, ASA, DIN or ISO flange options
- Operates easily at all pressure ranges
- Zerk fitting for lubrication

Brass Monitors

- FM approved - FP4-750B (4" (102mm) only)
- Seamless brass construction
- Low friction loss
- 140 degree vertical travel
- 360 degree horizontal travel
- 30-1,200 GPM (114-4542 LPM)
- Double seal swivels
- Available in 3" (76mm) and 4" (102mm) flat-faced flange inlet



Handle Wheel Monitors

- Hand wheel is driven by fully enclosed, stainless steel worm gears to withstand heavy vertical protected against the elements, for reliable operation
- Compact, low-profile design
- Full 3" (76mm) waterway for flow up to 1,250 GPM (4732 LPM)
- Full 360 degree horizontal rotation with positive twist and 140 degree vertical rotation – 70 degree above and below
- 26 PSI at 1,250 GPM (4732LPM) / 18 PSI at 1,000 GPM (3785LPM) pressure loss



- 56 lbs (25 KG)
- Single handle wheel operation



- 60 lbs (27 KG)
- Dual handle wheel operation



BRASS & BRONZE MONITORS

Tiller Bar Monitors



FP10636

- Full 360 degree rotation
- 135 degree vertical travel - 75 degree above and 60 degree below
- 2-1/2" (64mm) waterway
- Up to 750 GPM (2839 LPM)
- Positive friction locks on both horizontal and vertical travel to hold the desired position
- Stainless steel lever
- Bronze material
- Red powder coating



FP10649

- Corrosion resistant bronze construction
- Full 3" (76mm) waterway
- Cast-in turning vanes for efficient flow
- Flow up to 1,250 GPM (4732 LPM)
- 360 degree horizontal and 150 degree vertical travel
- 90 degree above to 60 degree below horizontal
- Positive friction locks on both horizontal and vertical travel to hold the desired position
- Stainless steel lever
- Integral ball valve, 3" (76mm) waterway, bronze body with stainless steel ball & stem and available with 3" (76mm) or 4" (102mm) 150# flange
- Operating pressure of 200 PSI

750 GPM

Model	Height (in/mm)	Width (in/mm)	Weight (lbs/kg)	Inlet (in/mm)	Outlet (in/mm)	GPM (GPM/LPM)
FP10636 -2F/2M	18 (457)	14 (356)	46 (21)	2-1/2 (64) NPT female or male	2-1/2 (64)	750 (2839)
FP10636-2	18 (457)	14 (356)	46 (21)	2-1/2 (64) flange	2-1/2 (64)	750 (2839)
FP10636-3	18 (457)	14 (356)	46 (21)	3 (76) flange	2-1/2 (64)	750 (2839)
FP10636-4	18 (457)	14 (356)	46 (21)	4 (102) flange	2-1/2 (64)	750 (2839)
FP3-750 (B)	28 (711)	16 (406)	52 (24)	3 (76) flange	2-1/2 (64)	750 (2839)
FP4-750 (B)	32 (813)	22 (559)	52 (24)	4 (102) flange	2-1/2 (64)	750 (2839)

1250 GPM

Model	Height (in/mm)	Width (in/mm)	Weight (lbs/kg)	Inlet (in/mm)	Outlet (in/mm)	GPM (GPM/LPM)
FP10611-3	17 (432)	15 (381)	50 (23)	3 (76) or 4 (102) flange	2-1/2 (64)	1,250 (4732)
FP10612-4	16 (406)		60 (27)	4 (102) flange	2-1/2 (64)	1,250 (4732)
FP10649				3 (76) or 4" flange	2-1/2 (64)	1,250 (4732)

OSCILLATING MONITORS

Oscillating conversion kits are designed for refineries, aircraft hangers, underwing and fuselage protection, fuel transfer areas, and any high-risk areas where unmanned coverage is essential.

Standard Features:

- Bolts between flanges to easily convert a monitor from manual to oscillating
- Water from the fire line drives the pelton wheel to create oscillating movement without need for electricity
- Adjustable sweep angle changes in only a second
- Low-pressure (75 psi) required to activate oscillation
- Suitable for operation between 75 psi and 220 psi
- Durable high-grade brass and stainless steel construction
- 3" (76mm) & 4" (102mm) sizes



FP10911



FP10916



FP900700

FM Approved Features:

- Flow rate determined by monitor/nozzle rating
- FM approval for 500/750 GPM flow rate 200 PSI max pressure
- Unit pressure tested at 500 PSI for one minute

500 - 1250 GPM

Model	Weight (lbs/kg)	Inlet (in/mm)	Outlet (in/mm)	Speed (GPM/LPM)	Oscillation	GPM (GPM/LPM)
FP10911	90 (41)	3 (76) or 4 (102)	3 (76) or 4 (102)	16 (61)	Adjustable by 7.5° through 360°	1,250 (4732)
FP10916	85 (39)	3 (76) or 4 (102)	3 (76) or 4 (102)	12 (45)	Adjustable by 3° degrees to 120°	1,250 (4732)
FP900700	76 (34)	4 (102)	4 (102)	10 (38)	Adjustable by 7.5°, 45° through 125°	350-3000 (1325-1136)



TRUCK MOUNT MONITORS



FPTM-750

- Standard 3" (76mm) manifold with two 2-1/2" (64mm) clappered inlets
- 750 GPM (2839 LPM)
- Additional inlets available for higher flows
- Manifold length at base is sized to match specific width of truck bed



FPTM-125

- 1-1/2" (38mm) Truck Mount Style Monitor, designed with 1-1/2" (38mm) NH swivel to be used with soft hose.
- Allows removal of monitor from base when not in use.
- Held in place with "T" Pin

1200 & 2000 GPM

Model	Height (in/mm)	Width (in/mm)	Weight (lbs/kg)	Inlet (in/mm)	Outlet (in/mm)	GPM (GPM/LPM)
FPTM-125	15-5/8 (397)		27 (12)	90° inlet	1-1/2 (38)	125-350 (473-1325)
FPTM-750	22 (559)	13 (330)	45 (20)	2 inlet manifolds at 2-1/2 (64) & 1-1/2 (38)	2-1/2 (64)	750 (2839)

PORTABLE MONITORS

Portable monitors, rated at 750 or 1,200 gpm, are versatile performers, either on the apparatus or in a portable mode. They feature quick “long handle” swivel detachment from the apparatus for mounting on the portable base and two “slip in” stabilizing legs with no-skid neoprene pads. Furnished complete with truck mount adapter and 500A aluminum Master Stream nozzle, with optional 750 or 1,200 GPM master stream available. Spring loaded locking knobs ensure safe stream available. Available in standard and short radius models.

Standard Features:

- Field-proven reliability
- Highest flows available for portable monitors
- Portable or fixed operation
- Single waterway – less friction loss
- “Long handle” swivel detachment
- Short radius (long radius also available)
- Stabilizing legs with no-skid neoprene pads
- Detachable truck mount (1 1/2", 38mm)
- 125-350, 750 & 1,200 GPM (473-1325, 2839, 4542 LPM)
- 1-1/2", 2-1/2", 3" sizes (38, 64, 76mm)



125 GPM

Model	Height (in/mm)	Width (in/mm)	Weight (lbs/kg)	Inlet (in/mm)	Outlet (in/mm)	GPM (GPM/LPM)
FPPM-125	11 (279)	24 (610)	45 (20)	1-1/2 (38) flange	1-1/2 (38)	125-350 (473-1325)

750 GPM

Model	Height (in/mm)	Width (in/mm)	Weight (lbs/kg)	Inlet (in/mm)	Outlet (in/mm)	GPM (GPM/LPM)
FPPMSR-750	11"	24 (610)	45 (20)	2-1/2 (64) truck mount w/ adapter, portable base, legs & 500A nozzle	2-1/2 (64)	750 (2839)
FPPM-750M	16"	28 (711)	55 (25)	2-1/2 (64) monitor only with legs	2-1/2 (64)	750 (2839)

1200 GPM

Model	Height (in/mm)	Width (in/mm)	Weight (lbs/kg)	Inlet (in/mm)	Outlet (in/mm)	GPM (GPM/LPM)
FPPMSR-1200	24 (610)	28 (711)	65 (30)	3 (76) truck mount w/ adapter, portable base, legs & 500A nozzle	3 (76)	1,200 (4542)
FPPM-1200M	24 (610)	36"	85 (39)	3 (76) monitor only with legs	2-1/2 (64)	1,200 (4542)
FPPM-LAC				3 (76) polished stainless steel w/ parallel control handles	2-1/2 (64)	1,200 (4542)

TRAILERS

2-wheel trailer portable monitor rated at either 750 or 1,200 GPM (2839 or 4542 LPM). The FP-750C has a full flow 2-1/2" (64mm) waterway with 3" (76mm) manifold and two 2-1/2" (64mm) female swivel inlets with check valves standard. The FP-1200C has a full-flow 3" (76mm) waterway and four 2-1/2" (64mm) female swivel inlets with check valves standard. Both models are furnished with "spring-loaded" wheel locks and low profile tires. 1-7/8" (48mm) ball-type hitch standard. Two racks will carry four 50-foot (15m) lengths of 2-1/2" (64mm) hose. Standard red epoxy finish. Optional additional inlets and butterfly valve.



FP-1200C

CHARGER

Model	Height (in/mm)	Width (in/mm)	Weight (lbs/kg)	Inlet (in/mm)	Outlet (in/mm)	GPM (GPM/LPM)
FP-750C	24 (610)	78 (1981)	270 (123)	3 (76) manifold w/ 2 x 2-1/2 (51x64) female swivel	2-1/2 (64)	750 (2839)
FP-1200C	24 (610)	78 (1981)	290 (132)	3 (76) manifold w/ 3 x 3 (76x76) female swivel	3 (76)	1,200 (4542)
FP-2000C	48 (1219)	96 (2438)	320 (145)	6 (152) manifold w/ 2 x 4 (51x102) female swivel	4 (102)	2,000 (7571)

4-wheel portable monitor with full flow 2-1/2" (64mm) waterway designed for one-man operation, with "T" manifold and two 2-1/2" female swivel inlets with check valves standard. Furnished with four wheel locks and "spring-loaded" locking knobs to limit vertical travel to +20° and 40 degrees either side of center horizontal travel for safety. Standard red epoxy finish. Optional additional inlets and hose racks for 2 lengths of 2-1/2" (64mm) fire hose. Length including "T" handle.



FP-750MC

MINI CHARGER

Model	Height (in/mm)	Width (in/mm)	Weight (lbs/kg)	Inlet (in/mm)	Outlet (in/mm)	GPM (GPM/LPM)
FP-750MC	24 (610)	56 (1442)	110 (50)	"T" manifold w/ 2 x 2-1/2 (51x64) female swivel	2-1/2 (64)	750 (2839)

MONITORS

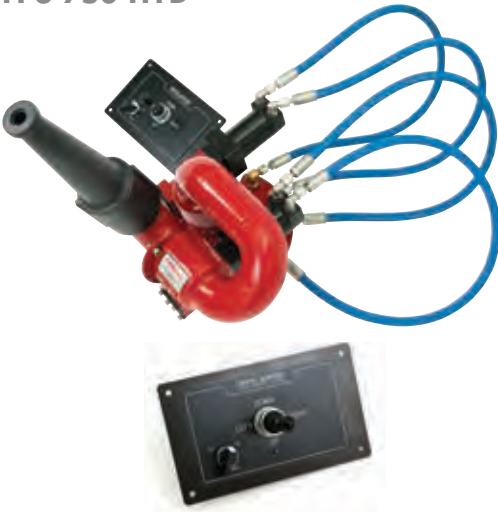
Remote Control

ELECTRIC & HYDRAULIC MONITORS

Hydraulic Monitor



FP3-750-HYD



- Hydraulic Remote Control Monitor
- Carbon steel waterway inside and out
- Stainless steel swivels
- Control panel included. Available with control for electric fog nozzle and/or water valve.
- 3" (76cm) 150# RF flange inlet, 2-1/2" (64mm) male NH outlet
- 150 degree vertical sweep, 340 degree horizontal sweep
- 250-1,000 GPM (949-3785 LPM)
- 50-150 PSI operating pressure
- Optimum operating pressure is 120 PSI

Electric Monitor



FP12300-12: MONITOR W/ 12 VDC MOTOR
FP12300-24: MONITOR W/ 24 VDC MOTOR



- Electric Remote Control Monitor
- Carbon steel waterway inside and out
- Stainless steel swivels
- Stainless steel remote joystick box capable of controlling monitor, electric nozzle, and electric water valve
- Carbon steel waterway inside and out
- Stainless steel swivels
- Control box and wiring harness included
- 3" (76cm) 150# RF flange inlet, 2-1/2" (64mm) male NH outlet
- 150 degree vertical sweep, 340 degree horizontal sweep
- 250-1,000 GPM (949-3785 LPM)
- 50-200 PSI operating pressure
- Optimum operating pressure is 110 PSI (Inlet)
- Weight: 48 lbs (22 KG)



125 & 750 GPM

Model	Height (in/mm)	Width (in/mm)	Weight (lbs/kg)	Inlet (in/mm)	Outlet (in/mm)	GPM (GPM/LPM)	Volts
FP12300-12	22 (559)	13 (330)	45 (20)	2 1/2 (64) flange	2 1/2 (64)	750 (2839)	12
FP12300-24	22 (559)	13 (330)	45 (20)	2 1/2 (64) flange	2 1/2 (64)	750 (2839)	24
FP1-125-RCE	7 1/2 (191)	10 1/4 (260)	18 (8)	1 1/2 (38) flange	1 1/2 (38)	350 (1325)	12
FP1-125-RCE-24	7 1/2 (191)	10 1/4 (260)	18 (8)	1 1/2 (38) flange	1 1/2 (38)	350 (1325)	24
FP3-750-HYD	22 (559)	13 (330)	52 (8)	3 (76) 150# RF flange	2 1/2 (64)	750 (2839)	

ELECTRIC NOZZLES

For use with electronically-controlled monitors. Available in 12 and 24 VDC. Material: alloy.



FP10818E

- 1-1/2" (38mm) inlet
- Selectable gallonage - 200, 250, 350 GPM (757, 949, 1325 LPM)



FP10817E

- 2-1/2" (64mm) inlet
- Selectable gallonage - 250, 400, 550, 750 GPM (949, 1514, 2082, 2839 LPM)
- 24VDC only

125 & 750 GPM

Model	Weight (lbs/kg)	Inlet (in/mm)	Teeth	GPM (GPM/LPM)
FP10818E -12 or 24	7 (3)	1 1/2 (38)	Spinning	200-350 (757-1325)
FP10817E -24	8 1/2 (4)	2 1/2 (64)	Fixed	250-750 (949-2839)

MONITORS

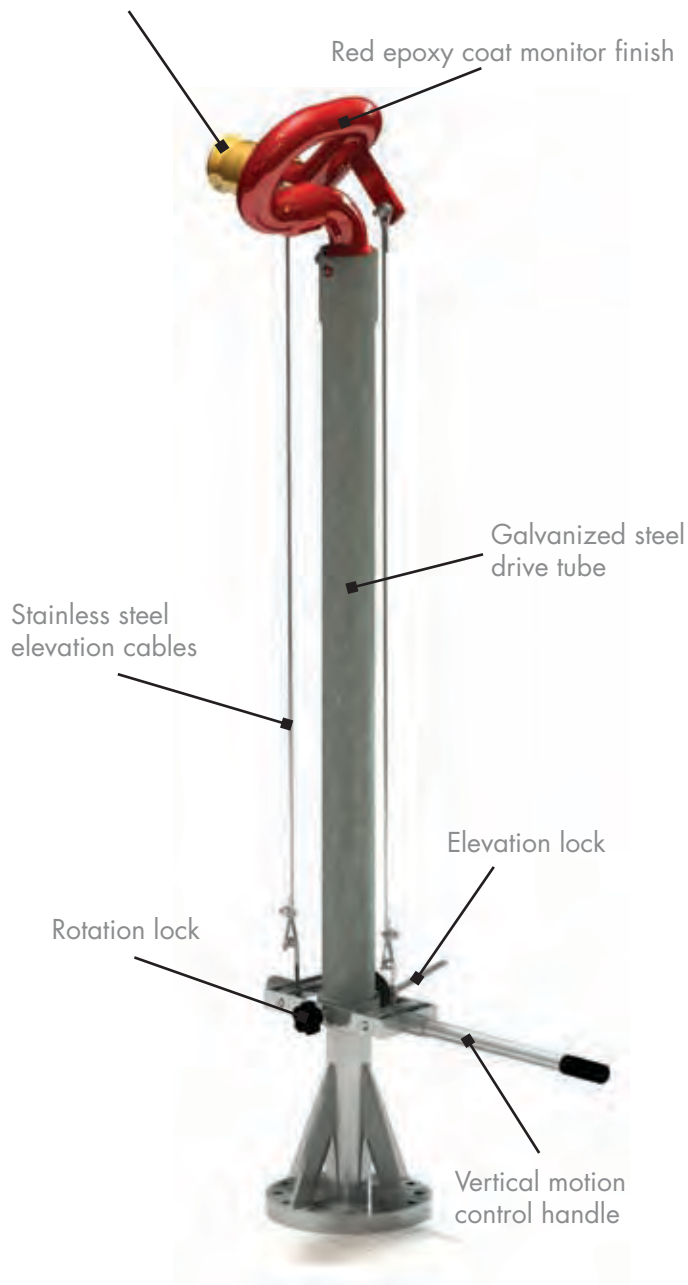
Elevated

ELEVATED MONITORS

Elevated monitors are ideally suited for problem applications that are difficult to reach from ground level with fixed or portable equipment. Typical installations include dock protection and high hazard petrochemical areas. Elevating the monitor serves high-hazard areas that may otherwise be obstructed, putting the monitor at the appropriate height to reach the target.

Freestanding monitors range from 10 to 50 feet (3 to 15m), and supported monitors up to 111 feet (34m), depending upon the flow/distance requirement and water/pressure available for the application.

Waterways available in 2-1/2" (64mm), 3" (76cm) and 4" (102cm), depending on flow rate.



Freestanding monitors have an "inner" waterway with an outer drive tube for horizontal movement at the base, along with vertical motion handle control with stainless steel cable attached to the monitor for vertical option.

Supported monitors consist of the base portion with the vertical and horizontal motion control mounted with the appropriate cable length and the upper portion consisting of the monitor with a 4" (102cm) male NPT base complete with one reaction support. Inter-connecting pipe is available upon request.

The Fire Pro division produces **FM Approved** elevated monitors that allow for safe and effective water emission for top fire safety performance. FM Approval certifies that all Fire Pro elevated monitors have been objectively tested and conform to the highest national and international standards. Fire Pro elevated monitors come in freestanding and oscillating models, providing fire safety professionals with full range of water discharge during emergencies.

ELEVATED MONITORS

Model

Description

FP900200

Supported with base intake and oscillator, flow rate up to 1000GPM

FP900202

Self-supported with base intake, flow rate up to 1000GPM

FP900300

Free standing with oscillator, flow rate 500GPM

FP900301

Free standing with oscillator, flow rate 750GPM

FP900303

Free standing, flow rate up to 1000GPM



ELEVATED MONITORS ACCESSORIES



FP-70407

R/C nozzle with cable drive and halo ring access an elevated monitor's nozzle from the ground and actuate flow from fog to straight stream—simply pull on corresponding handle to alternate. Kits are furnished with handles, cables and hardware.



FP-70625

FP-70625 Reaction Supports are attached to a structure and act as a large bearing, allowing the elevated monitor to freely rotate in order to counter the reaction loads generated by jet reaction forces.

- Clamps to elevated monitor drive tube, and rollers allow for smooth rotation
- Corrosion-resistant red powder-coated finish
- Galvanized steel construction



FP-70630

Intake mounting bases for elevated monitors are designed to safely convey a high GPM of water from the source's foundation to the monitor and prevent against jet reaction forces at startup. Carbon steel construction with hole pattern on base plate for foundation bolts from concrete pad. Red epoxy finish. Specify inlet flange size.

ACCESSORIES

Model	Description
FP-70407	R/C nozzle with cable drive, 750 GPM (2839 LPM)
FP-70625	Reaction support - 1 each 20 ft (6m)
FP-70626	Remote grease kit - 1 each 20 ft (6m)
FP-70627	Drain coupling 3/4 (19mm) NPT
FP-70630	90 degree intake mounting base for 22 ft (7m) standing elevated monitors
FP-70631	90 degree intake mounting base for 42 ft (13m) standing elevated monitors
FP-70632	Ball drip valve to drain monitor after use

ACCESSORIES/OPTIONS

FP-3523



FP-3523 - Steering Wheel Control "C" clamp adjustable control, black vinyl dipped with stainless steel fasteners. Steering wheel can be positioned for personal ease of operation or to accommodate low overhead doors for clearance when monitor is mounted on an apparatus. Outside diameter is 13" (330mm).

FP-3525



FP-3525 - Mini Stream Shaper lightweight aluminum or brass body with hard anodized finish and replaceable Delrin "Honeycomb" grid straightens steam minimizing water turbulence, resulting in improved, effective distance and overall reach. 1-1/2" (38mm) (3515) or 2-1/2" (64mm) (3525) NH female inlet x 2-1/2" (64mm) NH outlet.

FP-3526 - Pressure Gauge is stainless steel and liquid filled with a protective cover. 0-300# mounted on monitors at the base of the nozzle so that operator can insure proper pressure ranges for maximum, effective operation of both straight bore and combination fog/straight stream nozzles.

FP-3527 - Drain Outlet brass construction 1/4" (6mm) NPT male base with drain cock. Idea for pressure relief when used with automatic nozzle or in cold climates where water removal is necessary.

FP-3528 - Butterfly Valve 2-1/2" (64mm), 3" (76mm) or 4" (102mm) with aluminum bronzed wafer mounted in a neoprene seat. Cast steel body and handle with locking plate.

FP-3529 - Hydrant Mount 2-1/2" (64mm) or 3" (76mm) NPT male discharge thread with 2-1/2" (64mm) N.H. swivel inlet. "C" clamp hydrant bracket support arms are designed to fit on virtually any hydrant style. Red epoxy finish.

FP-3530 - Hydrant Mount with 2-1/2" (64mm) or 3" (76mm) 150# ASA raised face flange discharge with 2-1/2" (64mm) NH female swivel inlet. Flange outlet ideal to mount flange base monitor on butterfly valve.

FPHM-2 - Hydrant Mount only with two leg 2-1/2" (64mm) swivel inlet, 2-1/2" (64mm) flange or NPT outlet.

FP-3526



FP-3527



FP-3528

ACCESSORIES/OPTIONS

FPHM-2M - Hydrant Mount only with two leg 2-1/2" (64mm) swivel inlet, complete with monitor.

FP-3542 - Field Service Repair Kits consist of replacement "O" rings, stainless steel ball-bearings and zerk fittings. Specify monitor style number when ordering. Nozzle and ball valve kits contain replacement ball and seats complete with all "O" ring gaskets

FP-3543 - Special Threads other than National Hose or National Pipe thread.

FP-3544 - Nuts, Bolts and Gasket Package for mounting monitors onto an existing flange mount.

FP-3545 - Companion Flange 2-1/2" (64mm), 3" (76mm) or 4" (102mm) with NPT female thread on the I.D. to mount onto a NPT male thread discharge pipe. Ideal for use with a butterfly valve between flange and monitor base. Red epoxy finish to match monitor.

FP-3550 - Parallel Control Handles c/p with black vinyl handle grip.

FPHB-4 - Hydrant Base for monitors. 6" (152mm) flanged inlet with 4" (102mm) flanged outlet for mounting monitor. Base has four 2-1/2" (64mm) outlets for extending water lines in high risk areas. Can be either flat or raised face flange. Carbon steel body with red epoxy finish, with cast brass 2-1/2" (64mm) NH discharge outlets. Optional caps with chains.

FPGV - Gate Valve made of cast brass with crank type handle. 2-1/2" (64mm) swivel inlet and 2-1/2" (64mm) male outlet with a red finish.



FP-3542

FP-3544



FP-3545



FPGV



FP-3550

DIRECT CONNECT NOZZLES

Direct connect nozzles provide either a heavy-body uniform fog patten or a strong impinging straight stream for greater distances. They feature ball shutoff, dual handle stops, and a full "boot style" bumper. They are ideal for field maintenance, with a "fast change" ball and seat feature and a "quick throw" straight stream to fog pattern change. Simply remove the tail gasket and the rear seat and ball will "drop out" for easy replacement. Dual gallonage models are ideal for "mop up" or to conserve water in the low range.

Standard Features:

- Combination fog and straight stream
- Lightweight/strong aluminum
- Dual handle stops
- Cast aluminum handle
- Hard anodized finish – red or grey
- "Fast Change" Delrin ball and seat
- Rugged simplicity and reliability
- 1" & 1 1/2" (25 & 38 mm) inlets



FP-95CG

10-125 GPM

Model	Length (in/mm)	Weight (lbs/kg)	Inlet (in/mm)	GPM (GPM/LPM)
FP-23	7 (178)	1-3/4 (0.6)	1 (25)	10-23 (38-87)
FP-40	7 (178)	1-3/4 (0.6)	1 (25)	10-40 (38-151)
FP-60	7 (178)	2-1/2 (1)	1-1/2 (38)	20-60 (76-227)
FP-95	7 (178)	2-1/2 (1)	1-1/2 (38)	20-95 (76-360)
FP-60CG	7 (178)	2-1/2 (1)	1-1/2 (38)	60 (227)
FP-95CG	7 (178)	2-1/2 (1)	1-1/2 (38)	90 (341)
FP-125CG	7 (178)	2-1/2 (1)	1-1/2 (38)	125 (473)

STACKED TIP NOZZLES

Stacked straight bore nozzles consist of a series of different orifice sizes that may be unscrewed and removed or replaced in order to achieve a range of flow rates.

- Anodized aluminum construction
- 1 1/2" & 2 1/2" (38 & 64mm) inlets



FP-3230

STACKED TIP

Model	Weight (lbs/kg)	Inlet (in/mm)	Orifice Size (in/mm)
FP-3220	8 (4)	2-1/2 (64)	1-3/4, 1-1/2, 1-3/8 (44, 38, 35)
FP-3230	8 (4)	2-1/2 (64)	2, 1-3/4, 1-1/2 (51, 44, 38)
FP-3240	8 (4)	1-1/2 (38)	1-1/4, 1-1/8, 1 (32, 29, 25)

FOG NOZZLES

Fire Pro Fog Nozzles comply with all aspects of U.S. Forest Service Specifications. Twist shutoff fog tips are machined from high strength 6061 T-6 aluminum bar stock and have a hard anodized finish. Dual gallonage tips have durable, stainless steel deflectors. A "quick throw" pattern change from a strong impinging straight stream to a heavy uniform fog pattern with outstanding performance.



FP-1023T



FP-60CGT

10-125 GPM

Model	Length (in/mm)	Weight (lbs/kg)	Inlet (in/mm)	GPM (GPM/LPM)
FP-1023T	3 3/4 (95)	10 (5)	1 (25)	10-23 (38-87)
FP-1040T	3 3/4 (95)	10 (5)	1 (25)	10-40 (38-151)
FP-6095T	5 (127)	1-1/4 (0.5)	1-1/2 (38)	20-60 (76-227)
FP-6095TB	5 (127)	1-1/4 (0.5)	1-1/2 (38)	20-95 (76-360)
FP-60CGT	7 (178)	2-1/2 (1)	1-1/2 (38)	60 (227)
FP-95CGT	7 (178)	2-1/2 (1)	1-1/2 (38)	90 (341)
FP-125CGT	7 (178)	2-1/2 (1)	1-1/2 (38)	125 (473)

BALL SHUTOFFS

Ball shutoffs are machined from 6061 T-6 aluminum bar stock to be rugged and durable. Dual handle stops combined with "fast change" replacement seat feature makes them a versatile performer for all fire ground uses—simply remove the tail gasket and the rear seat and the ball will drop out. Ball shutoffs are ideal for use in combination with fog tips, for economical breakaparts, and comply with all aspects of required U.S. Forest Service Specifications.



FP-10R

BALL SHUTOFF

Model	Length (in/mm)	Weight (lbs/kg)	Inlet (in/mm)	Waterway (in/mm)
FP-10R	3 1/4 (83)	1-1/4 (0.5)	1 (25)	3/4 1 (19)
FP-15	3 3/4 (95)	1-3/4 (0.8)	1-1/2 (38)	1 (25)

SMOOTH BORE NOZZLES

Smooth bore nozzles convey water at maximum reach and with the best overall straight stream quality. They are constructed of anodized aluminum, and coated with a durable Teflon protective coating. Smooth bore nozzles from Fire Pro are a reliable and economical choice.



FP10425-13

FP10425-11

FP10425-9



1-1/2" (38cm) aluminum straight bore nozzle with 1" (25cm) orifice. Hard anodized grey finish

FP-3120

75-1195 GPM

Model	Length (in/mm)	Weight (lbs/kg)	Inlet (in/mm)	GPM (GPM/LPM)
FP10425-1	13 (330)		1/2 (13)	75 (284)
FP10425-2	13 (330)		5/8 (16)	117 (443)
FP10425-3	13 (330)		3/4 (19)	168 (636)
FP10425-4	13 (330)		7/8 (22)	229 (867)
FP10425-5	13 (330)		1 (25)	299 (1132)
FP10425-6	13 (330)		1-1/8 (29)	378 (1431)
FP10425-7	13 (330)		1-1/4 (32)	467 (1768)
FP10425-8	13 (330)		1-3/8 (35)	565 (2139)
FP10425-9	13 (330)		1-1/2 (38)	673 (2548)
FP10425-10	13 (330)		1-5/8 (41)	789 (2987)
FP10425-11	13 (330)		1-3/4 (44)	915 (3464)
FP10425-12	13 (330)		1-7/8 (48)	1,051 (3978)
FP10425-13	13 (330)		2 (51)	1,195 (4524)
FP-3110	4 1/2 (114)	2 (0.9)	1 (25)	3/8" (25cm) orifice
FP-3120	5 (127)	11-1/5 (5)	1-1/2 (38)	1-3/8" (35cm) orifice
FP-3205	9 (229)	3-1/5 (1.5)	2-1/2 (64)	1-1/2" (38cm) orifice
FP-3210	10 (254)	4 (2)	2-1/2 (64)	1-1/2" (38cm) orifice

BRASS

Model	Length (in/mm)	Weight (lbs/kg)	Inlet (in/mm)	Orifice (in/mm)
FP-3200-1	10 (254)	4 (2)	2-1/2 (64)	1 (25)
FP-3200-1-1/4	10 (254)	4 (2)	2-1/2 (64)	1-1/4 (32)
FP-3200-1-3/8	10 (254)	4 (2)	2-1/2 (64)	1-3/8 (35)
FP-3200-1-1/2	10 (254)	4 (2)	2-1/2 (64)	1-1/2 (38)
FP-3200-1-3/4	10 (254)	4 (2)	2-1/2 (64)	1-3/4 (44)
FP-3200-1-7/8	10 (254)	4 (2)	2-1/2 (64)	1-7/8 (48)
FP-3200-2	10 (254)	4 (2)	2-1/2 (64)	2 (51)

SMOOTH BORE BRASS

Cast brass straight bore tip with 2-1/2" (64cm) NH female base with various orifices



FP-3200

MASTER STREAM NOZZLES

Master Stream fog/straight stream nozzles are forged from heavy aluminum or brass castings that withstands caustic or salt water environments using deck pipes and station monitors. Precision machining ensures ease of operation when changing patterns at all pressure ranges. Patterns change from a straight stream with maximum effective reach to a full 108-degree fog curtain. Standard features include a zerk fitting for field lubrication to increase service life, and a complete twist shutoff.

Standard Features:

- Combination fog and straight stream
- Heavy aluminum or red brass casting
- Zerk fitting for lubrication
- Ideal for both municipal and industrial applications



FP-500B
1-1/2" (38cm) or 2-1/2" (64cm) Inlet



FP-1000BCG
2-1/2" (64cm) Inlet
Fixed gallonage



FP-2000BCG
4" (102cm) Inlet
Fixed gallonage



FP-10820BC
1-1/2" (38cm) or
2-1/2" (64cm) Inlet
Adjustable gallonage



FP-10820
1-1/2" (38cm) or
2-1/2" (64cm) Inlet
Adjustable gallonage

350-2500 GPM				
Model	Length (in/mm)	Weight (lbs/kg)	Inlet (in/mm)	GPM (GPM/LPM)
FP-350B	6-1/2 (165)	9 (4)	2-1/2 (64)	350 (1325)
*FP-500B	6-1/2 (165)	9 (4)	2-1/2 (64)	500 (1893)
*FP-500BCG	6-1/2 (165)	9 (4)	2-1/2 (64)	500 (1893)
*FP-750BCG	6-1/2 (165)	9 (4)	2-1/2 (64)	750 (2839)
FP-1000ACG	6-3/4 (171)	9 (4)	2-1/2 (64)	1,000 (3785)
FP-1000BCG	6-3/4 (171)	9 (4)	2-1/2 (64)	1,000 (3785)
FP-2000 ACG	7 (178)	11 (5)	4 (102)	1,500, 1,700, 2,000, 2,500 (5678, 6435, 7571, 9464)
FP-2000 BCG	7 (178)	11 (5)	4 (102)	1,500, 1,700, 2,000, 2,500 (5678, 6435, 7571, 9464)
FP-10818	5-1/5 (140)	2-2/3 (1)	1-1/2 (38) or 2-1/2 (64)	15, 30, 45 (57, 114, 170)
FP-10818BC	5-1/5 (140)	7-1/3 (3)	1-1/2 (38) or 2-1/2 (64)	15, 30, 45 (57, 114, 170)
FP-10819	5-1/5 (140)	2-2/3 (1)	1-1/2 (38) or 2-1/2 (64)	60, 95, 125 (227, 341, 473)
FP-10819BC	5-1/5 (140)	7-1/3 (3)	1-1/2 (38) or 2-1/2 (64)	60, 95, 125 (227, 341, 473)
FP-10820	5-1/5 (140)	2-2/3 (1)	1-1/2 (38) or 2-1/2 (64)	200, 250, 350 (757, 946, 1325)
FP-10820BC	5-1/5"	7-1/3 lbs	1-1/2 (38) or 2-1/2 (64)	200, 250, 350 (757, 946, 1325)



* **FM Approved**

NOZZLES

Speciality

OTHER NOZZLES

Foam Eductor

- Works with most foam concentrates
- Rugged all-brass construction
- Furnished with reinforced clear PVC pickup hose to prevent kinking
- Check ball prevents back flow into foam concentrate
- Detachable metering device for cleaning
- 5 Settings for metering valve: 0.5, 1, 3, 6, and 0% (shutoff)
- Available in 60 and 95 GPM
- 1-1/2" or 2-1/2" (38 or 64mm) inlet



FP10201-60

- 1 1/2" or 2 1/2" (38 or 64mm) inlet



FP1000B-HF

- 2-1/2" inlet (64mm)

Master Stream Foam Nozzles

- Master Stream nozzle with built-in Foam Eductor
- For use in either water or foam applications
- Fully adjustable from straight stream to full fog
- Each unit provided with an 8 ft-long reinforced 1-1/2" (38mm) hose with quick-change coupling for quick and secure attachment to the nozzle
- Rugged all-brass construction
- Available in 350, 500, and 750 GPM (1325, 1893 or 2839 LPM)



FP-500B-HF

- A set of foam orifice discs provide easy foam percentage set: 0.5, 1, 3, and 6%.
- 2-1/5" (56mm) inlet



**FP10881-BC
FP10883-BC**

Self-Educting Master Stream Nozzle

- 3% metering capability
- 225 GPM
- 1-1/5" (30mm) inlet

FOAM NOZZLES

Model	Width (in/mm)	Weight (lbs/kg)	Inlet (in/mm)	GPM (GPM/LPM)	Induction Rate
FP10201-60	10-1/5 (259)	9 (4)	1-1/2 (38) or 2-1/2 (64)	60 (227)	1/2% - 6%
FP10201-95	10-1/5 (259)	9 (4)	1-1/2 (38) or 2-1/2 (64)	95 (360)	1/2% - 6%
FP-350B-HF	7-1/2 (191)	22 (10)	2-1/2 (64)	350 (1325)	1/2% - 6%
FP-500B-HF	7-1/2 (191)	22 (10)	2-1/2 (64)	500 (1893)	1/2% - 6%
FP-750B-HF	7-1/2 (191)	22 (10)	2-1/2 (64)	750 (2839)	1/2% - 6%
FP-1000B-HF	9-1/2 (241)	19 (9)	2-1/2 (64)	1,000 (3785)	3% or 1%
FP-10881BC	6-2/3 (168)	10 (5)	1-1/2 (38) or 2-1/2 (64)	150 (568)	3% or 6%
FP-10883BC	6-2/3 (168)	10 (5)	1-1/2 (38) or 2-1/2 (64)	225 (852)	3%



OTHER NOZZLES

Tough, salt water corrosion-resistant brass/bronze construction.

Ideal for marine environments, shipboard fire fighting, and any harsh industrial or marine exposure.

Coast Guard Nozzle with Fog Tip

- Meets U.S. Coast Guard specifications for fighting with draft water
- Combination fog and straight stream
- No-clog design
- Optional Coast Guard applicators available to extend length by 4 or 6 ft. (122-183cm) and provide bend and reach through small openings such as portholes
- Bronze construction
- Combination fog and straight stream - 55 GPM (208 LPM)
- Applicators available in sizes:
 - 4' long, 60° bend (Style 385)
 - 6' long, 90° bend (Style 387)



FP10382

Shipboard Nozzle

- Selectable gallonage nozzle with pistol grip
- 95-125 GPM (360-473LPM)
- U.S. Coast Guard Approval Number: 162.027/17/0
- FM Approved - FP4-750B
- Bronze construction
- Heavy-duty chrome plated metal shutoff ball
- Self-adjusting Teflon seat



FP-372BC

MARINE

Model	Width (in/mm)	Weight (lbs/kg)	Inlet (in/mm)	Bend	GPM (GPM/LPM)
FP10382	9-1/2 (241)	8 (4)	1-1/2 (38)	N/A	55 (208)
FP10385	4 (102) long applicator	8 (4)	1-1/2 (38)	60	55 (208)
FP10386	6 (152) long applicator	8 (4)	1-1/2 (38)	90	55 (208)
FP-372BC	8 (203)	7-1/2 (3)	1-1/2 (38)	N/A	95-125 (360-473)

HYDRANT MOUNT

Series FP3530 Hydrant Mount is specifically designed to mount new or existing hydrants to lessen strain during water discharge. The raised face flange is designed at both 2 ½" (64mm) and 3" (76mm) with NH female swivel inlet.

FP3530 Hydrant Mount

This hydrant mount is specifically designed to mount new or existing hydrants to lessen strain during water discharge. The raised face flange is designed at both 2 ½" (64mm) and 3" (76mm) with NH female swivel inlet.

- "C" clamp hydrant bracket support arms are designed to fit on virtually any new or existing hydrant style.
- Flange outlet is ideal for mounting the flange base monitor to the butterfly valve.
- Polyester powder coat finish.



FP3530
shown on hydrant
PF350 monitor not included

FPHM-2 Hydrant Mount

This hydrant mount is designed to support upward thrust momentum during water discharge. Dual adjustable legs support the piping mount.

- Dual leg 2 ½" (64mm) swivel inlet; height is adjustable.
- 2 ½" (64 mm) flange or NPT outlet.
- Polyester powder coat finish.

FPHM-2M Hydrant Mount

This hydrant mount is designed to support upward thrust momentum during water discharge. Dual adjustable legs support the piping mount. Comes with monitor.

- Dual leg 2-1/2" (64mm) swivel inlet; height is adjustable.
- 2 ½" (64 mm) flange or NPT outlet.
- Polyester powder coat finish.



FOAM HOSE REEL STATION

This self-contained continuous flow hose reel station comes complete with stainless steel foam concentrate storage tank. The stainless steel, continuous flow, rim wind hose reel is equipped with 100 feet of 1-1/2" (38mm) non-collapsible hose and constant flow, 95 GPM (360LPM) pistol grip, fog/straight stream nozzle. An electrostatically applied, thermally fused red powdercoat can withstand a 1,000-hour salt spray test. Design features offer convenience and quick-operation.



- Stainless steel waterway, elbow and flex connection reduces corrosion and extends service life
- Easy access, front-fill foam storage tank saves time
- Compact design reduces footprint requirements
- Bottom tank drain allows for complete drainage
- Choice of rim wind or hand crank rewind
- Built-in drag reduces hose backlash

FPFT-60S

STATIONS

Model	Height (in/mm)	Width (in/mm)	Description
FPFT-60	49 (1245)	357 (162)	carbon steel hose reel station w/ 100ft 1-1/2" (38mm) non-collapsible hose and constant flow 95 GPM (360LPM) direct connect nozzle and matching eductor
FPFT-60S	49 (1245)	357 (162)	stainless steel hose reel station w/ 100ft 1-1/2" (38mm) non-collapsible hose and constant flow 95 GPM (360LPM) direct connect nozzle and matching eductor

CUSTOM PROJECTS

Whether it's a standard, modified, or a custom product for a specific application, Fire Pro takes pride in delivering with personalized customer service and tailored design and engineering. Fire Pro works with the customer's location and need to design anything, whether it's a modification to an existing product or a one-of-a-kind design for a specific application. We construct every piece manually to our highest standards, because every product should hit the mark in function, reliability, and pricing.



Monitor/hose Cart Combo

For carrying hose and tools
Hooks up monitor to hose



Hose Cart

Hooks up to a truck
For carrying hoses and tools



12" Manifold

Hose can be attached to all holes
Monitor can be attached to top spout

FLOW CHARTS

Need to know the reach of any of our monitors under a particular set of flow and pressure conditions? Fire Pro has a state-of-the-art software suite for calculating flow conditions, reach and in the case of elevated monitors, stress. Here are some of the quantities Fire Pro can calculate and produce detailed charts for:

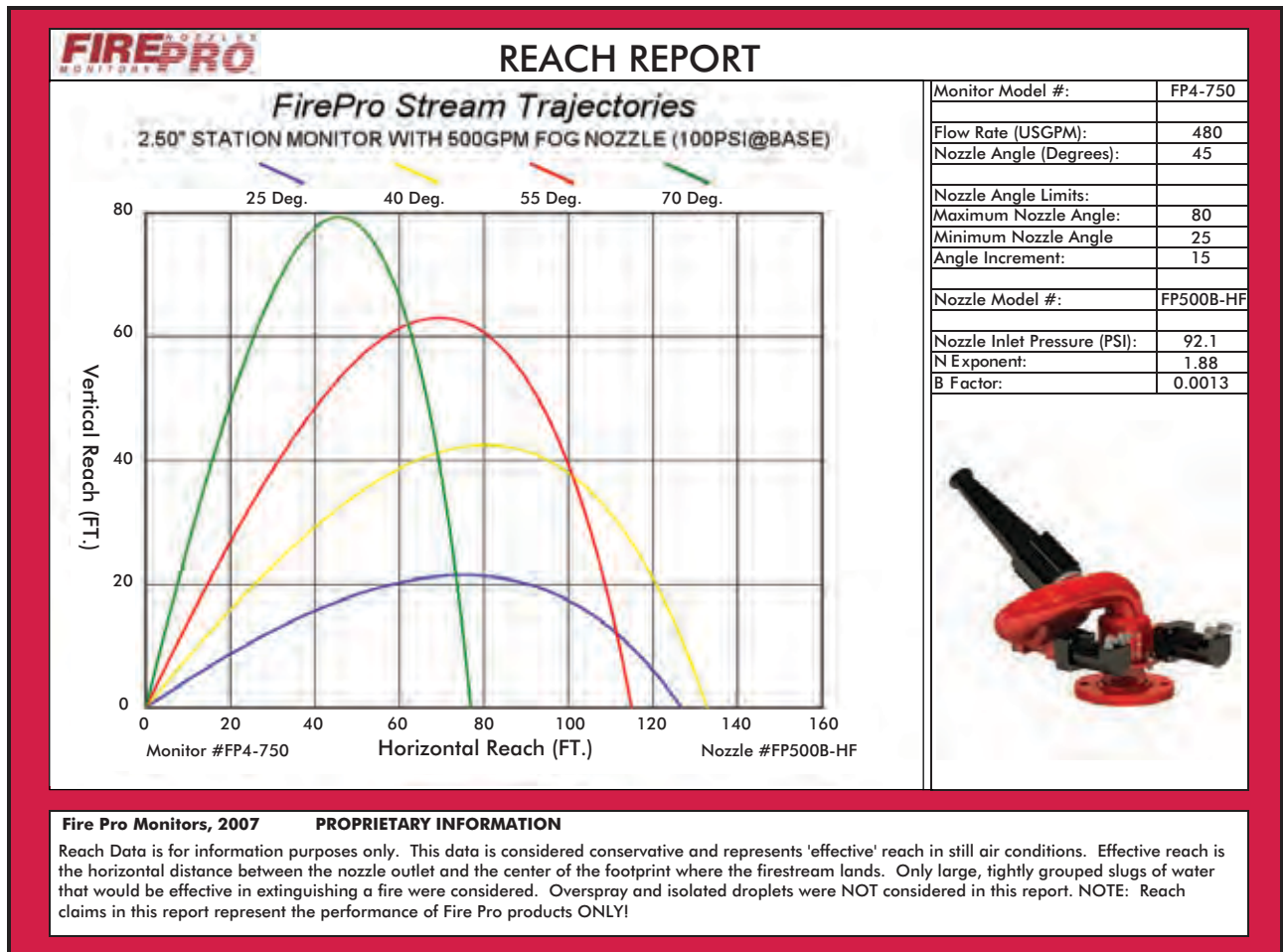
All Monitors:

- Pressure losses through monitor systems
- Jet reaction forces at the nozzle
- Hydraulic horsepower necessary to produce required flow rate and pressure through any of our monitors
- Waterway velocities
- Pressure losses and velocities through supply piping systems

Elevated monitors:

- Waterway Bending stresses
- Total deflection at the nozzle due to waterway bending stresses
- Monitor safety factor due to bending stresses
- Loads at base of elevated monitors (Necessary for concrete pad construction)

Ask us for a flow and reach chart today!





P.O. Box 3527 • City of Industry, CA 91744-0527 U.S.A.
Tel 800-366-3473 • Fax 626-937-4777 • www.potterroemer.com

INNOVATIVE SPIRIT AND ENGINEERING FOUNDATION

“What sets us apart from competitors is our engineering and spirit. We have a ‘can-do’ spirit. If you ask us to do something, we will do it or figure out how to do it. That’s the part our customers like, that’s the part we like.”

- Don Morris, President and CEO



BRANDS BUILT TO LAST

L1001270
4.2015