

# More Than 101 Ideas and Tips for Presenting the Best Club Programs Possible



This Shared Federation Information made available by  
Eastern Federation of Mineralogical and Lapidary Societies, Inc.  
at its Annual Convention and Show July, 2001, Syracuse, NY



## More Than 101 Program Ideas for Your Club's Consideration

1. Demonstration of drop cast silver into water, wet beans, and wet long pine needle bundle to produce neat pendants. [Use parking lot if your building does not allow torch use].
2. Evening of hobby tricks and shortcuts demos and discussion (get info from back issues of Lapidary Digest and Rock and Gem plus old newsletters from your club and others).
3. "How to" for making rawhide jewelry with beads or metalwork enhancement.
4. Wirewrap jewelry demonstration by professional wirewrapper or skilled club member.
5. Inexpensive home-made equipment, jigs and fixtures (get ideas from old hobby magazines).
6. "How to instructions" of mineral and fossil specimen cleaning and preparation for display.
7. Junior members night -- turn the tables and have the kids present their stuff to the adults.
8. Enameling and Cloisonné (good references in past and current hobby magazines).
9. Discussion and showing on whiteboard, how to orient and cut good star or "cats-eye" stones.
10. Person demonstrates geode busting with special long handled chain wrench. Members enjoy the anticipation and can buy geodes from demonstrator or bring own to be halved.
11. Member panel or professionals to discuss subject like minerals and take / answer questions.
12. Folklore of and show samples of genuine Indian beadwork jewelry and clothing adornment.
13. Bring in expert faceter to show various cuts, lots of favorite stones and talk about overcoming problems cutting softer rough etc.
14. Over two or three programs in a row have membership tackle a slide show project that can become a good program for club to enter in AFMS Program competition. Microsoft (R) "PowerPoint" program can ease this task.
15. All facets of the hobby night. This can be a panel of lapidary, mineralogist, fossil whiz, field collector, wirewrapper, sphere maker, jewelry designer etc. Great overview when you have a lot of new members.
16. Tucson show review (or overseas show). We who are not able to attend like to see and hear about the latest / fabulous materials someone saw.
17. Antique Jewelry night -- invite all to bring in their family's antique pieces and show / tell.
18. Lapidary machinery night -- saw, cabber, faceter set up and maintenance discussion Including discussion of what saw blade is best for what size /type applications.
19. Basic crystallography talk with slides and or diagrams /models.
20. Talk and slide show on the mineral stamps of US and or other countries.
21. Speaker / demo on hand crafted jewelry with or without stones. Might take two sessions.
22. For clubs outside the area, a program on Florida corals formation and hands on beauty.
23. Recipes, cooking demo and sampling of easy stuff to make when in the field at the campsite.
24. Demonstration of and making up hardness kits that newcomers and kids can use.
25. Medical uses of minerals -- i.e. barite for making the barium used for intestinal X-rays etc.
26. "Finders Keepers" -- this is a fantastic winter program for areas that get cabin fever when they cannot get out collecting. It is also a nice reward to membership after their hard work at your show. You send out west and buy X number of bags or pounds of Montana sapphire concentrate and divvy it up in paper cups so every one present can closely search for the gemstones. Syracuse, NY club always doubled its normal attendance on snowy January or February night with this type of program. People naturally love something for nothing.

27. Substitute a hands on working session by membership "off site" for a good humanitarian project like working on a Habitat for Humanity home for the underprivileged.
28. "How to" program of intarsia including showing of one project in various stages of the metal work and preparation on thru the stone cutting and fitting and later grinding and polishing.
29. Kids fun night (we are all kids at heart) clowns, face painting, pizza and some rock talk and maybe even crystal growing with a crystal growing kit as a door prize.
30. Vehicle check night --just prior to the start of the collecting season, each family brings their 4 wheel drive or whatever vehicle to set area and mechanics or savvy members go over them pointing out what they should make sure is checked, plus neat safety and life saving items to add and bring on trips especially in real remote or hot areas. (Include collecting tools as well).
31. Mineral photography night -- someone real adept can demo this while taking slides for future program. of members minerals or gemstones up close. Should cover lighting and setups.
32. PMC (Precious metal clay) -- Have someone come and make while you watch, easy jewelry that when heated in a kiln turns into silver from this raw and hand pliable neat polymer. Classes could be added later. Without much competition so far, the clay is a little pricy.
33. New discoveries night -- can be a combination of new techniques and lapidary refinements, or new collecting spots, or new preparation tools/ tips for mineral / fossil specimens; anything.
34. Change your meeting night one month per year and go off site to shopping mall community area, or senior center, college or school and invite the public at large to come see who you are, and what you do and what is great in our hobby. Offer token specimens or have door prizes or something to drum up interest via newspaper press and media coverage. The Lynchburg, VA club attracts many new members this way. We must all become more creative in our necessary recruiting. A club without new and younger members is doomed.
35. History of mining or one particular type. Alternate: speaker on "metaphysical" minerals.
36. Mentor night. Have some of the newer members spotlight their club or other mentor and tell why. The spotlighted folk eat it up and will also add interesting commentary.
37. "Taming your Rocks" i.e. how to keep them from overwhelming you. Humor and/or a panel are good additions for this. (Source for this idea: Grace Riger, Richfield Mineral Club, MN).
38. Everything about Pearls and Pearl Artistry night -- members encouraged to show off theirs.
39. Have a dozen members show / tell all about their favorite piece of jewelry purchased or not.
40. Mineral or hobby trivia night. It can be real fun and you need someone who can take time to pull from a lot of sources.
41. Spelunking -- Find person who does caving or borrow or buy video showing beauty below.
42. Demo of new or desired product -- i.e. PMC or ultrasonic cleaner large enough to do minerals.
43. Dealer or factory person show and tell and demo metal detectors from cheapest to expensive.
44. "Stepping up to GOLD from silver working." A club member who is jeweler is ideal for this.
45. Merits of volcanoes -- we would not have many minerals or gem crystals if not for lava and hot concentrated, pressurized solutions.
46. Talk on making "thin sections" and the neat things they reveal. Need geologist for this.
47. Special secrets of Fire Agate. (Alternate: Amber's amazing revelations).
48. First aid. What to do "IF" at your meeting place or on a remote collecting trip. Be prepared.

49. Introductions night. How many of the people in your club do you not know or know much about but would like to know more. We are all in the same boat. Everybody gets up and tells who they are, how they came to get interested or heard about your club and what they hope to learn or get better at. To break the ice, President and some pre-selected audience folk go first. (Somewhat similar to #2 from Midwest Federation list).
50. Have a competition with judging for ribbons / magazine subscriptions. Combine lapidary and metal work and have separate one for minerals and fossils. Showmanship to count.
51. Directory input night -- this can be outgrowth of # 49 above. Your club should end up with a nice and useful member's directory.
52. Club anniversary night. Cake and lots of goodies for refreshments. If your club is young enough make sure some of the founders come and tell about the good old days.
53. Glaciers and what they did for our hobby in North America. Show samples like Lake Superior agates or whatever is closest to your neck of the woods.
54. History of and making of Bolas. Opportunity to showoff creativity in lapidary work and utilization of mineral specimen or fossil in the neckwear. Alternate: Hand made belt buckles.
55. Petrified Wood A to Z.
56. Bring in a dynamite speaker for special occasion and invite general public and nearby clubs. In many cases you will pay an honorarium of say \$50 or more to get THE person. Could be local college Prof of Geology, geologist from quarry mining minerals for industry, noted collector or field trip person, museum curator etc. depending on who is convenient and available from not too far. (See # 41, 42 on Midwest Federation list for similarities).
57. Making classy jewelry from simple beads (lots of ideas in the hobby magazines).
58. Demos off Internet from museums, dealers and rock shops and magazines. For a sizable crowd it is best to have access to one of the special projectors which project live onto screen the stuff available from 'round the world. Hobby magazines, Federation newsletters, club Newsletter exchanges and members offer many "www." addresses.

[The above ideas are mostly from talking to a variety of hobbyists and from reviews of many club newsletters predominantly within Eastern Federation (EFMLS).].

### **ACKNOWLEDGMENTS**

This package of Program Information would not have been possible without the Willingness to Share of bath the Midwest Federation, Eastern Federation, and the California Federation. The California Federation developed and provided the tally sheet for program shown on the last page of this packet.

For the "Fifty Program Ideas" which immediately follow, we are most grateful to June Culp Zeitner, who compiled it from Lapidary Journal article(s) and made it available to the Midwest Federation of Mineralogical and Geological Societies [MWF].

NOTE to EFMLS clubs: many of the items mentioned available from the MWF Supplies source are also available from the Eastern Supplies Chair, Ned Reynolds. The same goes for Library slide programs and videos -- many of these are available thru the EFMLS Slide Librarian (consult your directory for either).

The VCR Multiplier diagrams, shown on its own separate page, are courtesy of two Ohio gentlemen whose credits appear on that same page.

Eastern Federation is most appreciative of the sharing spirit of MWF, especially Marge Collins, MWF Program Development Chair for providing everything following this page and encouraging us to share same to benefit club Program Chairs, far and wide.

In the same spirit, Eastern Federation is most willing to share its 58 Program Ideas with all Federations with the hope of helping clubs everywhere have the very best programs possible.

## Courtesy of MWF, An Additional 50 Program Ideas Follow

# FIFTY PROGRAM IDEAS

from list compiled by  
June Zeitner

1. CLUB APPRECIATION NIGHT. Old timers tell about - Club history best accomplishments of the Club, founders, famous members, field trip incidents, etc. Historic pictures or slides or Club Scrapbook can be shown!
2. HOW I BECAME A ROCKHOUND. Each member tells how he/she got into the hobby and your Club. Can be done all in one evening (using time limits) or have one brief presentation each meeting. (This can be saved as an Emergency Program.)
3. BRAG NIGHT. Group participation after the field trip season.
4. SHOW AND TELL. Group participation.
5. GAME NIGHT. Rockhound Spelling Bee, Rockhound Quiz, Rockhound Crossword Puzzles, Rockhound Hidden Word Game, etc. First to finish is the winner. (Some members may enjoy making up the contests ahead of time.) Some of the puzzles can be published in the Club Newsletter ahead of time if desired then 'checked' at the meeting.
6. QUIZ PROGRAM. A committee lines up about 50 samples of gems, fossils and minerals on a long table. Number each specimen, give members paper and pencil and have them walk around trying to identify all the specimens. The one to get the most correct answers first is the winner.
7. "COLOR" PROGRAMS. Members are asked to bring a hobby related item - rock, mineral, gem, piece of jewelry, etc. in the "Color of the Month". For example, green could include things such as a malachite bowl, an emerald ring, various shades of jade, chrysoprase set in a pendant, aventurine beads, botryoidal prehnite, apatite crystals -- anything green.
8. QUARTZ NIGHT. Members display the wide varieties of materials in the Quartz Family and some are asked to give information about specific varieties. Examples include rock crystal, smoky quartz, rose quartz, amethyst, agate, jasper, petrified wood, opal, etc. (Specify other specific minerals, groups of minerals or even fossils for other meetings throughout the year.)
9. FLUORESCENTS. Arrange for an informed member (or speaker) to demonstrate and explain fluorescence - long and short wave, phosphorescence, etc. Ask members to bring specimens (massive and/or crystallized) they know to be fluorescent (or want tested). If time allows members might wish to guess where specimens came from.
10. BIRTHSTONE PROGRAM(S). Ask all members to look up a few facts about their birthstone and bring an example or a slide/picture. Each stone is discussed in sequence and after the first speaker for each, others just add any facts that have not been mentioned. (Can also be used as a small segment at each monthly meeting during the course of a year, focusing on the Birthstone of that month.)
11. NATURAL versus SYNTHETIC. Members bring natural and synthetic gems. Assigned members (or a speaker) tells about the differences between natural and synthetic stones. You may wish to concentrate on a specific stone: spinels, corundum, diamonds, etc.
12. LEARN TO FACET NIGHT. Each member brings a couple of potatoes and a paring knife. A faceter tells them how a 'standard brilliant' is cut, demonstrating the various facets on a potato. Members follow along cutting their own gem.
13. LEARN TO CARVE NIGHT. Potatoes and knives again. A carver shows how to block out and carve a 3 dimensional animal or other form and explains how the same thing could be done in alabaster with household tools, (Perhaps arrangements could be made to have pieces of alabaster for another meeting.)
14. KNOT YOUR BEADS. Locate someone who can demonstrate this technique. Have supplies available for members to purchase (publish charges ahead of time). Some members may be able to bring beads of their own for practice.
15. SCRIMSHAW LESSON. Locate someone who can demonstrate scrimshaw (or borrow MWF slide program #98). Have vegetable ivory blanks or plastic spoons available for members to practice the technique. Inform members about tools they should bring and have India ink available for coloring the designs.

16. OPAL NIGHT. Find a source and arrange for supplies and instruction necessary for members to shape and polish opals by hand.
17. OPAL DOUBLET OR TRIPLETS. Find an opal dealer who can sell the kits with materials for making opal doublets or triplets by hand (opal preforms, quartz caps, backing, cement, etc.) Members bring other supplies to complete them. Publish prices ahead of time.
18. LOST WAX WORKSHOP. Each member is given a Ferris File-A-Wax ring tube of the appropriate size. The ring design is carved and shaped with knives and files. Someone familiar with casting explains how the rings can be cast. Arrangements can be made with a lab, jeweler or rock shop to cast any of the rings which members wish to have completed in silver or gold. (Be sure to fully investigate all costs in advance. Supplies and information is available from a rock shop, mail order companies and suppliers like Kerr and Swest, etc.

Ads in magazines may provide sources.)

19. MAKE A SILVER BROOCH. Each member gets a 10 inch piece of silver wire. File one end to a point for the pin and bend the other end as a hook. The rest is twisted, bent, pounded or whatever, into an interesting shape - be sure that the hook lines up with the pin point. You can practice first with copper wire, stovepipe wire or lengths of wired chenille (pipe cleaners).
20. TOOLS OF THE TRADE. Have members bring a tool used for jewelry, micromounting, faceting, carving or other technique and describe how the tool is used.
21. MINI FIELD TRIPS. Each member brings 5 or 6 slides from favorite field trips and explains them as they are shown.
22. REMEMBER THAT SHOW. Each member brings slides of past shows - local or distant - (number of slides depends on number of members). These are shown and discussed. May lead to some 'fresh' ideas for your Club Show!
23. AUCTION NIGHT. Live or Silent. For a 'cause' or for the individual (with a percentage to the Club).
24. LOCAL STONES. Each member brings and tells about something (mineral, fossil, gem, artifact, etc.) from a specific area. You can specify the size of locality: city, county, a state - even a specific foreign country.
25. UGLY ROCK PROGRAM. Members bring, the ugliest; or strangest rock, possible. Vote to find the winner(s). The top 10 or so have to tell about their entry.
26. INVITE A GUEST NIGHT. Plan a meeting to introduce newcomers to the hobby. Assign a few good speakers who can make brief presentations about some of the various aspects of the hobby in layman's terms geology, archeology, paleontology, mineralogy, astronomy, gemology, lapidary, etc. Members bring guests and an interesting specimen for display.
27. BULLETIN PROGRAM. Have your Editor tell about the aims and needs of your Bulletin. Pass out paper and pencils and ask each member to write something that can be used in the bulletin during the year, Short articles, poems, stories, etc. would be appropriate.
28. EXPLORE A TOPIC. Pick a topic for an upcoming meeting, Arrange for several members to give brief talks on an aspect of that topic. Topics could include: Mineralogy, Gemology, Geology, a specific gem or mineral, etc. For example, the topic Garnet -- One speaker could give facts of the Garnet Group. Another tells of garnet jewelry through the ages, another tells how garnets were the favorite gems of Tavernier and the Scots. The last, where garnets are found, in what formations and other minerals that are associated with them.

#### HAVE MEMBERS CHOOSE A TOPIC AND PREPARE A PRESENTATION

It should be agreed if this will be a Mini-Report as part of the meeting or a longer presentation for the Program. Possible topics:

29. Gems and Mineral books. (Club Librarian could show 'sleepers' in Library).
30. Fossil preparation.
31. Gems and Minerals of the Bible.
32. Meteorites and space phenomena.

33. Star stones, cat's eye stones, opal, iris agate, and other visual effects.
34. Jewelry fashions and fads. (Art Deco, Art Nouveau, American Indian, etc.)
35. Check with local rock shop owner who might put on a program about new equipment, new gem materials, shop safety, etc.
36. Perhaps there is a Gemologist at a local jewelry store who can make a presentation about a topic such as gold, diamonds, and colored stones in general or specific gemstones, Birthstones or others of special interest.
37. Some Police Departments (or jewelers) have specialists who can tell how they test gemstones to determine if they are genuine or imitation.
38. Ask an expert to give a presentation on a special jewelry technique such as etching, engraving, inlay, etc.
39. Is there a nearby college (or even high school) with a Professor - or Instructor who could talk about geology, paleontology, mineralogy, archaeology, lapidary, jewelry or carving?
40. An art teacher may be able to give a talk on design, the theory of color, the history of sculpture, etc.
41. Contact nearby Museums which could furnish a Program or Speaker related to our hobby interests. Some Natural History Museums have video presentations available for sale.
42. Contact your State Geology Survey. Some have Programs (movies or videos) available or staff members who can make presentations.
43. Check the local building stone yard, monument works, or other business that uses stone as a raw material for someone who will be able to tell about the origins, qualities and uses of various stones. Some companies have a movie or video presentation ready for such purposes.
44. A monument works may have a person to tell how granite is sandblasted, carved etched and polished. (Or arrange for a field trip to see processes.)
45. If there is a mine or quarry nearby perhaps they may be able to arrange for someone to tell about the operation and production of the mine, its history or the uses of the mineral. (Some have access to professional presentations.)
46. There are videos (or movies) available from various countries about their gems, minerals and resources. For example, the pearl industry of Japan. Write the embassies of countries like Brazil, Germany, etc. to see what is available. Also write to corporations and organizations like De Beers, Cultured Pearl Association of America, Diamond Council of America, Precious Metal Institute and others to see what promotional presentations they may have available. Addresses of such groups are available from your Library. Some are listed in the Jewelers Circular Keystone Directory. Best to write on Club letterhead.
47. Turn a Program over to the Juniors and let them plan and give it. (Program Ideas for Juniors are described in the "Basic Guide for Junior Activities" booklet available from the MWF Director of Supplies.)
48. Make arrangements to show slide program(s) from the Midwest Federation Program Library -- there are over 130 programs available including American Federation Winning Programs.
49. Borrow slide program # 116 "Helps for Making a Slide Program" from the Federation. Suggest that members plan and put together a slide program or video and enter it in the A.F.M.S. Program Contests. Consider your Club's special interests, a local quarry, mine, museum, a specific mineral or any other topic of interest. (Get a copy of the Contest Rules ahead of time -details are in the MWF Directory that is published and distributed each year.)
50. Trade speakers or programs with nearby Clubs.

# HOW TO MAKE A SPEAKER FEEL WELCOME

Hospitality Suggestions  
(Author Unknown)

- Make sure you have a firm understanding with the speaker regarding any fee that is expected as 'payment' for the presentation. Payment should be made quietly after the Program.
- If no fee is charged a small but special gift is often an appropriate token of appreciation. This can be presented as part of the public "Thank You" after the Program. (Such matters should be discussed by Club Officers ahead of time to decide who pays for the gift.
- Be sure the speaker knows the exact time of your meeting, the correct address of your meeting place and most important, how to get there. It is embarrassing for everyone when a speaker loses his/her way and arrives late. It is best to provide a map and explicit directions.
- If possible save a convenient parking place for the speaker and by all means have someone on hand to greet him/her and to render assistance unloading and setting up any equipment he/she might be using. As soon as the equipment is set up to his/her satisfaction, make sure that he/she meets as many other members of your society as is convenient.
- Be sure you know in advance what equipment you speaker wishes you to provide for the presentation. Have a glass of water ready if the speaker needs it during the presentation.
- Have enough pertinent facts regarding your speaker on hand so that you can make a proper. introduction. Ask him/her for details if needed.
- Be sure you know the length of time the speaker needs for his/her program. If you have a strict allotment of time available be sure the speaker is advised ahead of time. Have someone watch the clock and quietly alert the speaker as the deadline approaches. Everyone is embarrassed when misunderstandings develop.
- Have someone available to assist during the program if needed, for projector, lights, etc.
- Make sure your speaker does not have to sit through a lengthy business meeting where controversial matters are to be discussed. If such a meeting is essential, arrange for the Program to be presented first and hold the meeting afterward so the speaker may be excused.
- Publicly thank the speaker for the presentation at its conclusion.
- If your meeting is followed by a social period, be sure that your speaker is invited to remain and partake of refreshments. See that he/she is not left alone.
- If overnight accommodations must be made for the speakers convenience be sure such arrangements are made with his/her concurrence - whether at a hotel, motel or a member's home.



## Tips and Other Sources for Films & Videos

Need more than one TV for your group to watch a video? You can **CONNECT SEVERAL TVs TO ONE VCR!** See diagram on following page. Surely a Club member or acquaintance can assemble it.

If you locate a 16mm film you'd like to show at a Club meeting -- check around for a projector. Some camera shops, rental business, school or local business may still have one on hand to borrow or rent.

Kodak slide projectors are still available from large photo shops or by mail order. Contact Program Competition Coordinator for more info. Also ask Club members to watch for a projector at estate sales, garage sales or second hand shops. Do check if slides drop down and eject properly. To repair such a problem is expensive. Replacing a bulb is probably under \$20.00.

### OTHER SOURCES FOR FREE OR LOW COST PROGRAMS

Contact each for complete information and updates.

--Your **LOCAL LIBRARY, LIBRARY COOPERATIVE OR SCHOOL SYSTEM** may have Earth Science videos and/or films.

--Some **STATE DEPARTMENTS OF NATURAL RESOURCES** have videos & films. Some will honor requests from out of state. See list elsewhere in this Directory. Call or write each for a list of programs and other materials from each.

**U.S. GEOLOGICAL SURVEY** has several Libraries across the country with *an extensive collection of ideas, software programs, hands on materials and more.* You can borrow them through "Inter-library Loan via any public, corporate, university or other school library. For a list of the videos call the GEO Center Coordinator at (703) 648-4476 OR access the USGS Library Catalog over the Internet at [www.usgs.gov/library](http://www.usgs.gov/library). Click on Search Catalog, select 'Subject Browse' then under "Enter your Search Term here:" type in: Videocassettes. Scan results show a list. Again click on Videocassettes for the list of titles. Click on title you are interested for full description. Jot down Title and Call Number, the USGS Library location, etc. and give this info to your Library. Ask them to request the video (or other material) through "Inter-library Loan". When the video reaches you, you can keep it for 2 weeks. If you need more time, call USGS Circulation Desk (703) 648-4301 and request an extension. Extensions are granted if there is no other request.

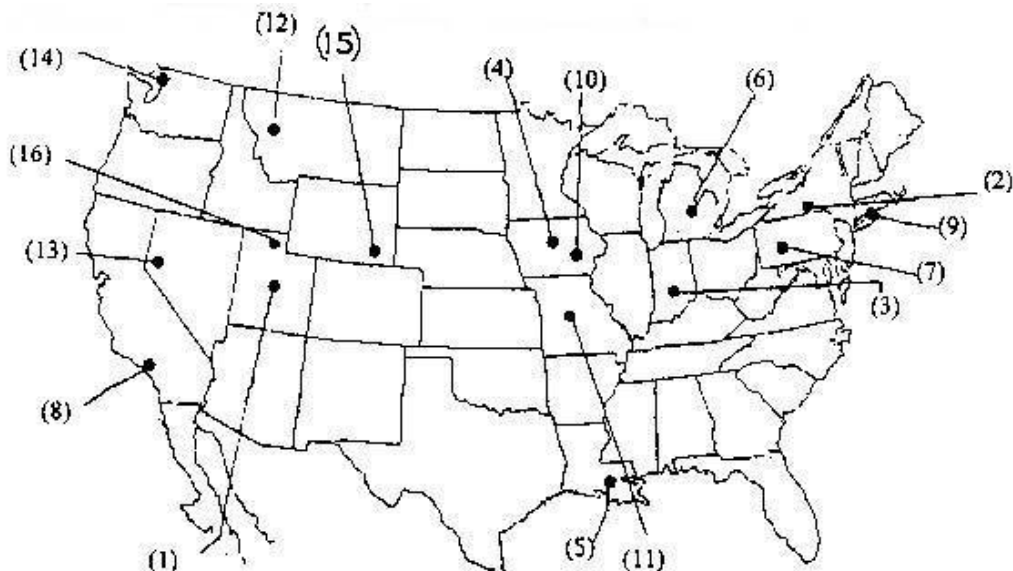
**Sample titles:** Every Stone has a Story; Glaciers: Natures Conveyer Belt; Florida's Geology Unearthed; Meteorites; Living Rock.

**For Juniors:** Under the Microscope: Science goes Underground; Harriet's Magic Hat: Geologist; Earth Science: Experiments.

### **RENTAL LIBRARIES: UNIVERSITY FILM / VIDEO LIBRARIES**

You can specify a showing date. Contact each *institution for catalog and procedures.* Some have catalog on-line others will send one upon request. Rental fees are modest - Many are \$20.00 or less.

**General guidelines:** Place an order well in advance of 'showing date'. Only a few libraries limit use to in-state addresses. Cost may includes shipping both ways, YOU may be required to return via UPS. No admission can be charged when program is shown, you may not loan it to anyone else; copying, and duplicating etc are not allowed. All these libraries charge for damage or loss. (Note: A few titles in a catalog may be marked to indicate on campus use only.)



## UNIVERSITY FILM LIBRARIES

- (1) Brigham Young University  
IT Services ( Info Tech)  
101 Harvey Fletcher Bldg  
Provo UT 84602  
(801) 378-3068  
www.itservices.byu.edu  
(media resources video library)
- (2) Cornell University  
Audio Visual Center  
8 Research Park  
Ithaca NY 14850  
(607) 255-2091  
e-mail Richard Grey at: rhg2@cornel.edu
- (3) Indiana University  
Media Resources  
Franklin Hall 0001  
Bloomington, IN 47405-5901  
(812)855-8065  
access catalog via link from # 11
- (4) Iowa State University  
Instructional Technology Center  
1200 Communications Bldg  
Ames, IA 50011-3243  
(515) 294-1540 (800) 447-0060  
www.media.itc.iastate.edu/  
(access videos in catalog under  
'Collection: extension rental')
- (5) Louisiana State University (16mm only)  
118 Himes Hall  
Instructional Resource Center  
Baton Rouge LA 70737  
(504) 388-2232 (ask for Henry)
- (6) Michigan State University  
Instructional Media Ctr  
East Lansing, MI 48824-0610  
(517)353-3960  
www.msu.edu/unit/imc (download catalog)
- (7) Pennsylvania State University  
Audio Visual Services  
Special Services Building  
University Park, PA 16803  
(814) 865-6314 (800) 826-0132  
access catalog via link from # 11
- (8) University of California - Los Angeles  
Instructional Media Library  
Powell Library, Room 46  
Los Angeles, CA 90024  
(310) 825-0755
- (9) University of Connecticut  
Center for Inst. Media  
Storrs, CT 06286  
(203) 486-2530  
www.ucimt.uconn.edu
- (10) University of Iowa  
Media Services  
Iowa City, IA 52242  
(319) 335-5974  
16mm only  
VHS via interlibrary loan
- (11) University of Missouri - Columbia  
Academic Support Center, Film Library  
505 E. Stewart Rd  
Columbia, MO 65211  
(573) 882-3601  
www.missouri.edu  
Best Link – Click on Home Pages find Academic Support  
Media Library includes links to many sites
- (12) University of Montana  
Instructional Materials Service  
Missoula, MT 59812  
(406) 243-5976
- (13) University of Nevada –Reno  
Film Library Getchell Library  
Reno, NV 89557  
(775) 784-6500, ext. 279  
16mm only
- (14) University of Washington – Seattle  
Instructional Media Services  
23 Kane Hall DG-10  
Seattle, WA 98195  
(206) 543-9909  
access catalog via link from # 11
- (15) University of Wyoming  
Audio Visual Services (Knight Hall Room 14)  
Box 3273, University Station  
Laramie, WY 82071  
(307) 766-3184
- (16) Utah State University  
Audio Visual Services  
3100 Old Main Hall  
Logan, UT 84322-3100  
(435) 797-2658  
access catalog via link from # 11

NOTE: All information on this page is subject to change due to funding restrictions, change of location etc. Contact each University to verify availability of programs) you are interested in.

updated February 2000, mkc

## **SAMPLE TITLES from UNIVERSITY FILM LIBRARIES**

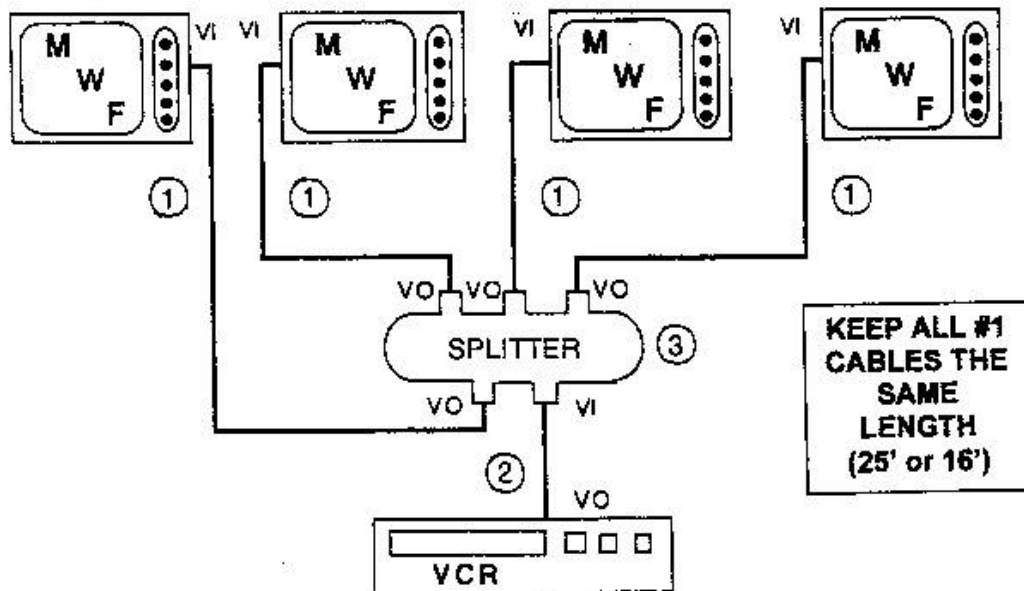
*This list is presented to hint at the wide variety of subjects available. Some are suitable for adults, others for youngsters. Check each university catalog for complete details.*

<b><u>TITLE (brief description)</u></b>	<b><u>MEDIA</u></b>	<b><u>LENGTH</u></b>	<b><u>SOURCES</u></b> see previous page
<b>Buried in Ash</b> Ash fall site near Royal, Nebraska.	VHS	60 minutes	(3)
<b>Bones of Contention.</b> Both sides of the debate about repatriation of native American bones and burial objects.	VHS	49 minutes	(3)
<b>The Diamond Game</b> Inside workings of the industry from mining to marketing strategies.	VHS	28 minutes	(4)
<b>Earth Science: Minerals &amp; Rocks</b> Characteristics of minerals & rocks - identification & classification.	VHS	17 minutes	(3)
<b>Fossils: Exploring the Past</b> Paleontologist working in the field; fossil formation.	VHS	16 minutes	(3) (14)
<b>How Solid is Rock?</b> Shows how underground rock can break and flow under high pressure & temps.	16mm VHS	22 minutes	16mm (5) VHS (9) (14) (16)
<b>Hunt for China's Dinosaurs</b> Expeditions to search for and compare Asian & North American dinosaurs.	VHS	58 minutes	(1) (3)
<b>Iowa's Ancient Hunters: Reconstruction of a Prehistoric Site</b> Geology, biology & archaeology are used to study an 8,000 yr. old site.	16mm	28 min.	(10)
<b>Little Sioux: Mysteries of Stone &amp; Earth</b> watch and solve geological mysteries along the Little Sioux River in Iowa.	VHS	59 minutes	(6)
<b>Minerals: Finds for the Future</b> Use of modern technology to locate mineral resources.	VHS	24 minutes	(7)
<b>A Message in the Rocks</b> How rocks are studied to learn Earth's history.	VHS 16mm	57 minutes	(4) (7) (t4) (16)
<b>Myths and the Mound Builders</b> recent studies reveal much about mounds in Midwest and Southeast.	VHS	54 minutes	(3) (14)
<b>Pterodactyls Alive?</b> clues from 70 million year old fossil traced to living creatures.	VHS	25 minutes	(4) (10)
<b>Sandstone Secrets</b> Investigates the nature of sandstone in the field and in the laboratory.	VHS	28 minutes	(6) (11)
<b>Secrets in Stone</b> The concept and history of plate tectonic theory and evidence of magnetic field reversal.	VHS	32 minutes	(3)
<b>The Witwatersrand Basin (So. Africa)</b> Geological history & development of this classic gold & uranium location.	VHS	30 minutes	(7)
<b>Volcano!</b> Methods of research used to predict volcanic eruptions.	VHS	58 minutes	(1) (3) (4)

MANY OF THE LIBRARIES HAVE SERIES: *'The Making of a Continent'*, *'The Earth Revealed'*, *'Out of the Fiery Furnace'* and more. Inquire about segments.

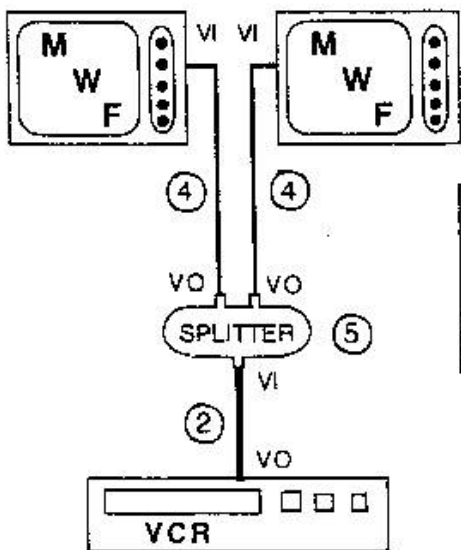
## DO IT YOURSELF VCR MULTIPLIER\*

### 2, 3, OR 4 TV SET-UP



**KEEP ALL #1 CABLES THE SAME LENGTH (25' or 16')**

### 2 TV SET-UP



**KEEP BOTH #4 CABLES THE SAME LENGTH (16', 25', 75')**

RADIO SHACK PART #s AND PRICES FROM THE 2000 CATALOG

- ① 25 ft. 75 ohm coax #15-1534 \$6.49
  - ② 6 ft. 75 ohm coax #15-1536 \$2.99
  - ③ Four set splitter #15-114 \$6.99
  - ④ 16 ft. 75 ohm coax #15-1531 \$4.99
  - ⑤ Two set splitter #15-1141 \$3.99
- VI = video input  
VO = video output

Computer generated illustration by Ray Yokell, Editor, Miami Valley & Gem Club, Fairborn, OH. Based on Norm Hanschu's drawing distributed at the 1992 AFMS/MWF Show, Brunswick, OH.

\* NOTE: You may be able to buy a wireless VCR Multiplier. In the past they have been available at Kmart, Walmart or other electronics departments. Components for the above setups are available from other electronics outlets.

## PROGRAMS SHOWN AT OUR CLUB

Keep a record of all programs this year and pass it on the next Program Chairman. If such information is kept it will help others to locate and plan good programs for your Club in years to come.

XEROX THIS PAGE OR REMOVE IT FOR SAFE KEEPING

REPORT FOR \_\_\_\_\_  
(Year).

Society \_\_\_\_\_

Person reporting \_\_\_\_\_ Title \_\_\_\_\_

Date	Program	Attendance	Remarks