



Nabtesco Power Control Company
LINEUP CATALOG

Company Name Nabtesco Corporation
Established September 29, 2003
Address JA Kyosai Bldg., 7-9, Hirakawacho 2-chome, Chiyoda-ku, Tokyo 102-0093, Japan
TEL: +81-3-5213-1152 FAX: +81-3-5213-1172

Tarui Plant
1414 Tarui-cho, Fuwa-gun, Gifu 503-2121, Japan
TEL: +81-584-22-2111 FAX: +81-584-23-1532

Seishin Plant
1617-1, Fukuyoshidai 1-chome, Nishi-ku, Kobe, Hyogo 651-2413, Japan
TEL: +81-78-967-1551 FAX: +81-78-967-1563

Nabtesco Power Control (Thailand) Co., Ltd.
700/905 Moo.5, Amatanakorn Industrial Estate, Tambol Nongkakha, Amphur Panthong, Chonburi 20160, Thailand
TEL: +66-38-185-229 FAX: +66-38-185-227,228

Shanghai Nabtesco Hydraulic Co., Ltd.
No. 905 East Rong Le Road, Songjiang District, Shanghai, 201613, China
TEL: +86-21-5774-1831 FAX: +86-21-5774-1347

Shanghai Nabtesco Hydraulic Equipment Trading Co., Ltd.
1704 Room, Hong Jia Tower, No.388 Fu Shan Road, Pudong New Area, Shanghai, 200122, China
TEL: +86-21-2077-3080 FAX: +86-21-5093-2195

Nabtesco's system products provide the best solutions for a variety of requirements, supporting global expansion of your business

From track units to control valves and pumps – Nabtesco delivers the best solutions for your requirements with our lineup of hydraulic equipment. We also offer a range of products for excavators, as well as for civil engineering, agricultural and forestry machinery.

By exploring new technologies, Nabtesco advances its leading edge in hydraulic technology, and supports construction sites worldwide.



Manufacturing Network to Achieve “Local Production for Local Consumption”

Nabtesco operates manufacturing bases in Thailand and China in addition to Japanese domestic factories, establishing a manufacturing network to achieve “local production for local consumption” in order to effectively deliver our products to markets across the globe.

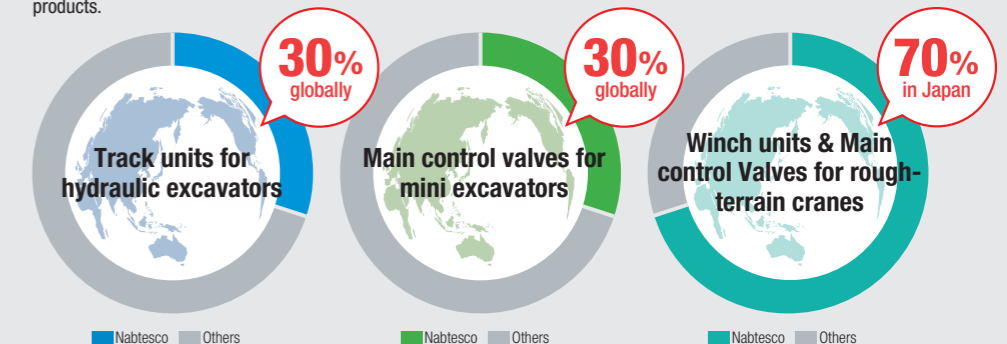


Nabtesco Headquarters

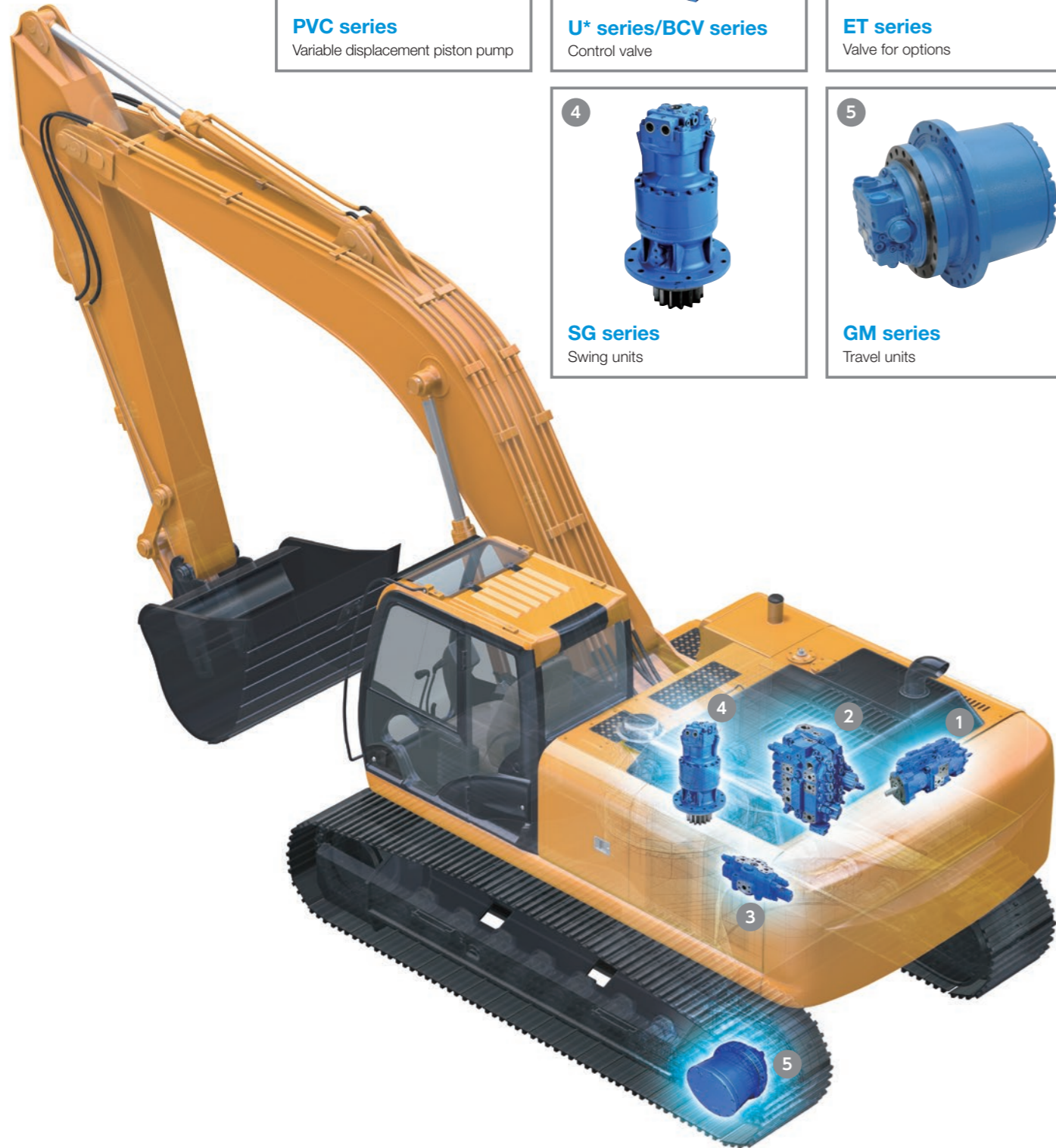
Market Share






Nabtesco's track units for excavators are winning high acclaim in Japan's domestic market, as well as in rapidly growing countries including China. We provide a range of products from small to large sizes, showing a strong ability to cover diverse applications.

Control valves for mini excavators have a strong market share worldwide, supporting global expansion of customers' business. Also, our hydraulic components for cranes have established a solid reputation domestically, with our lineup of high-quality products.


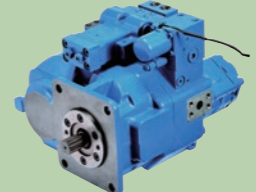
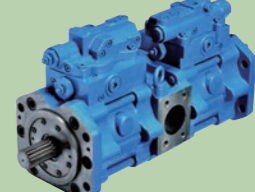



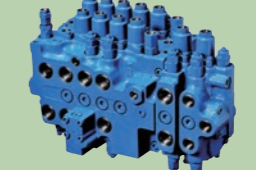










Excavator

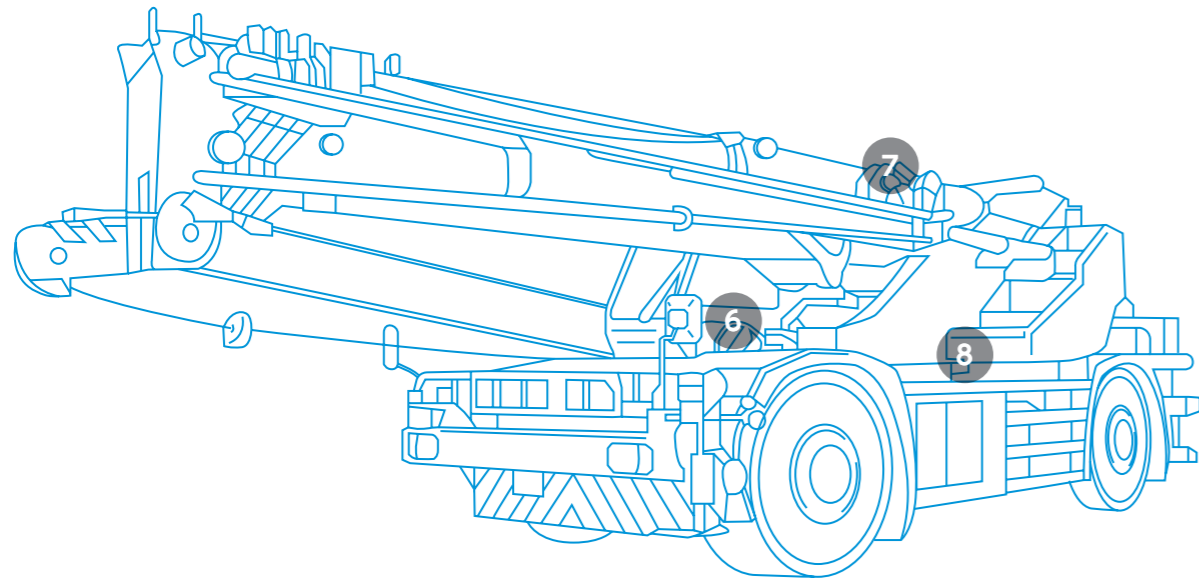


1	2	3
		
PVC series Variable displacement piston pump	U* series/BCV series Control valve	ET series Valve for options
4	5	
		
SG series Swing units	GM series Travel units	

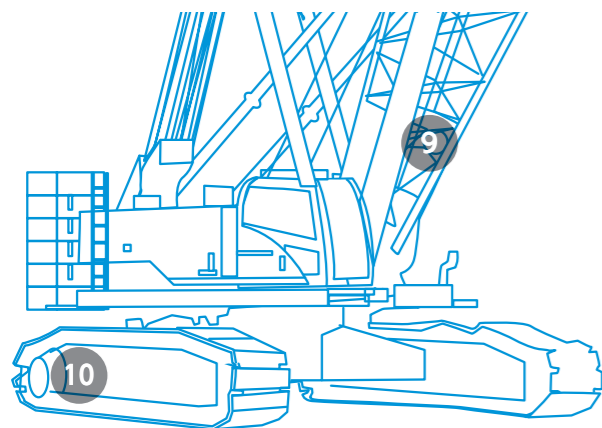
Hydraulic components for excavators

	Mini size	Small size	Medium size	Large size
Pumps				
	PVC65-90		PVC8080-110110	PVDH165
Control valves				
	NSC10 BCV35-65	ALP75 (O/C)	iB18 (L/S)	U*22-28
Swing units				
	SG015E	SG025E	SG04-08E	SG20-25E
Travel units				
	GM04-06	GM10-21	GM38-50	GM60-85

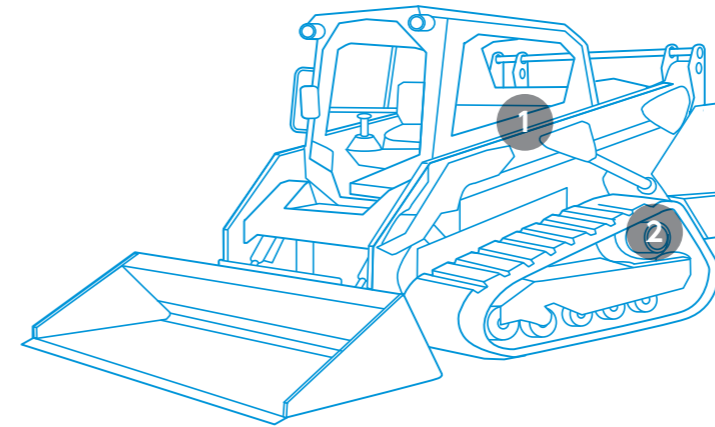
Rough-terrain crane



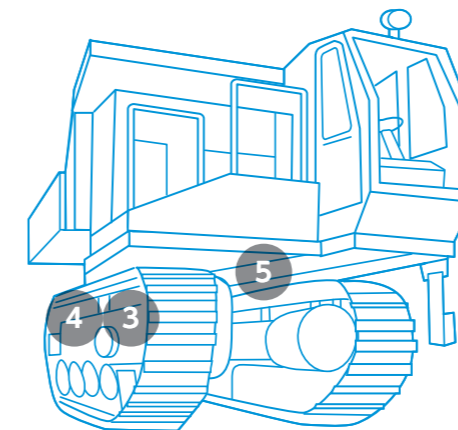
Crawler crane



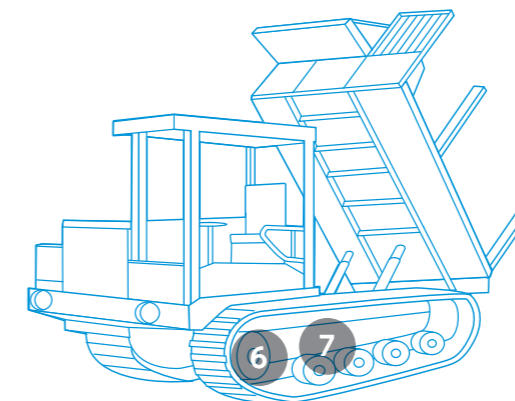
Compact truck loader



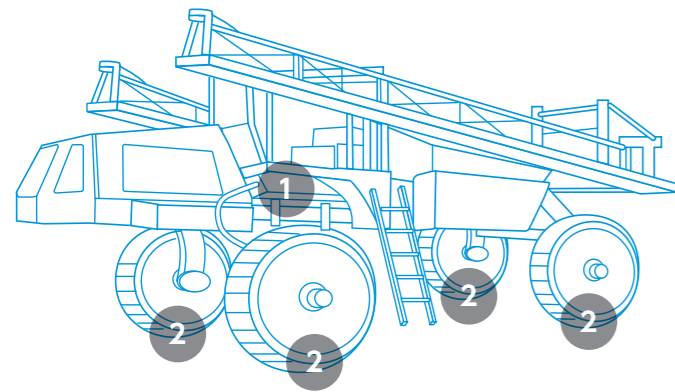
Crawler carrier



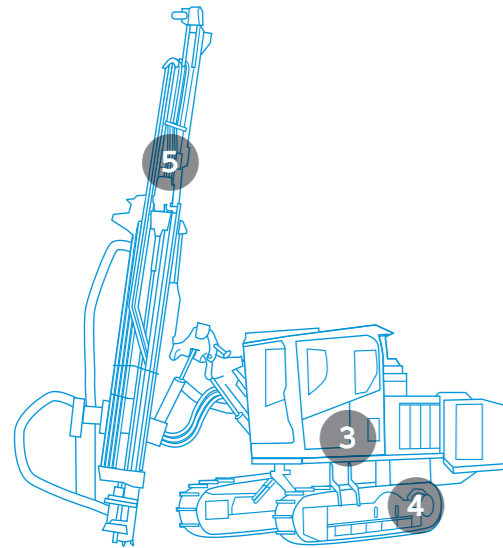
Forwarder



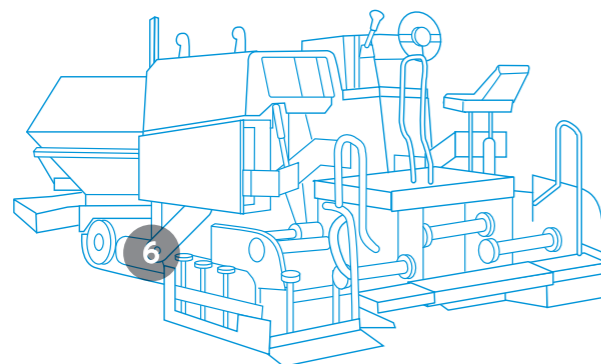
Sprayer



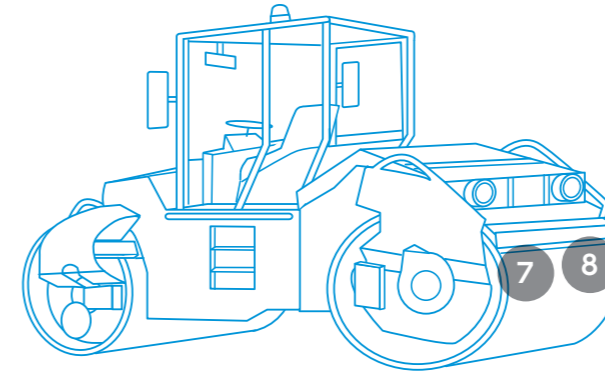
Drilling machine



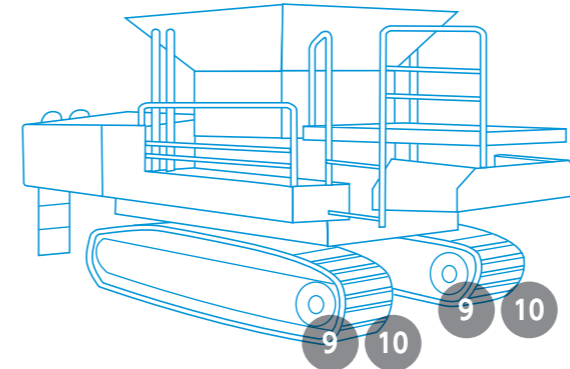
Asphalt pavers



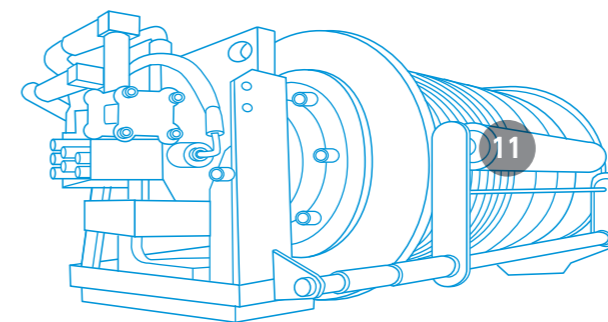
Road roller



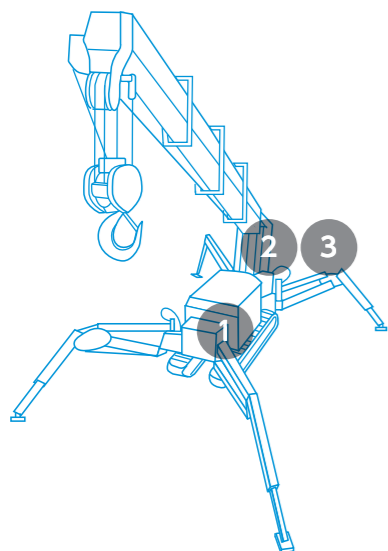
Crusher



Towing winch



Spider crane



NSS50 series
Control Valve

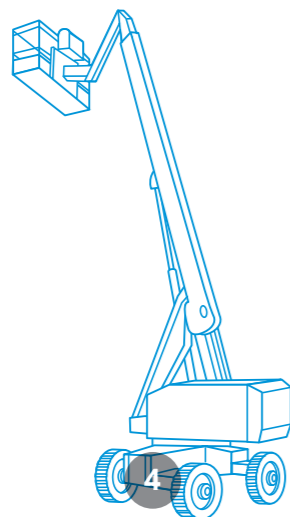


WRD010 series
Winch Units



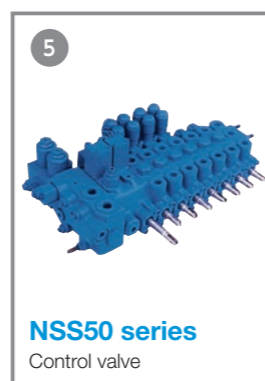
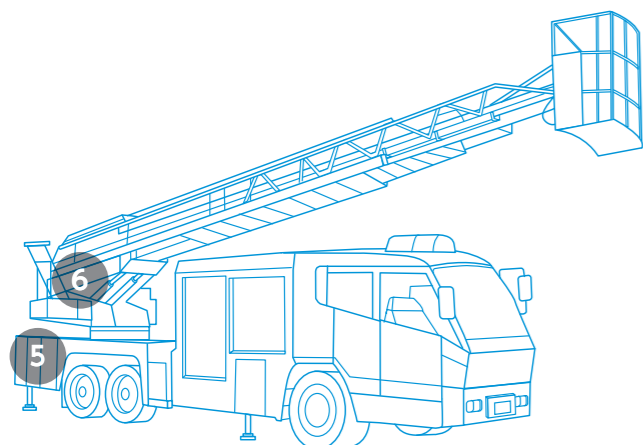
CH series
Winch Units

Aerial working platform



GM series
Travel units

Ladder truck



NSS50 series
Control valve



CS series
Swing units