

d. **Uniform Composition.**

1. Males:

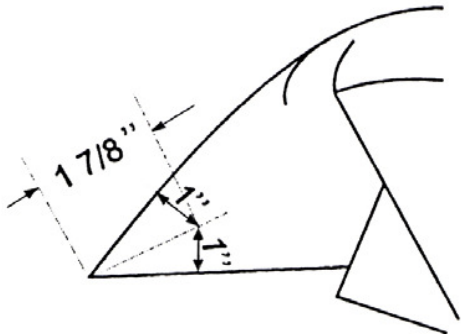
(a) **NAVY SERVICE**

Basic Uniform Items:

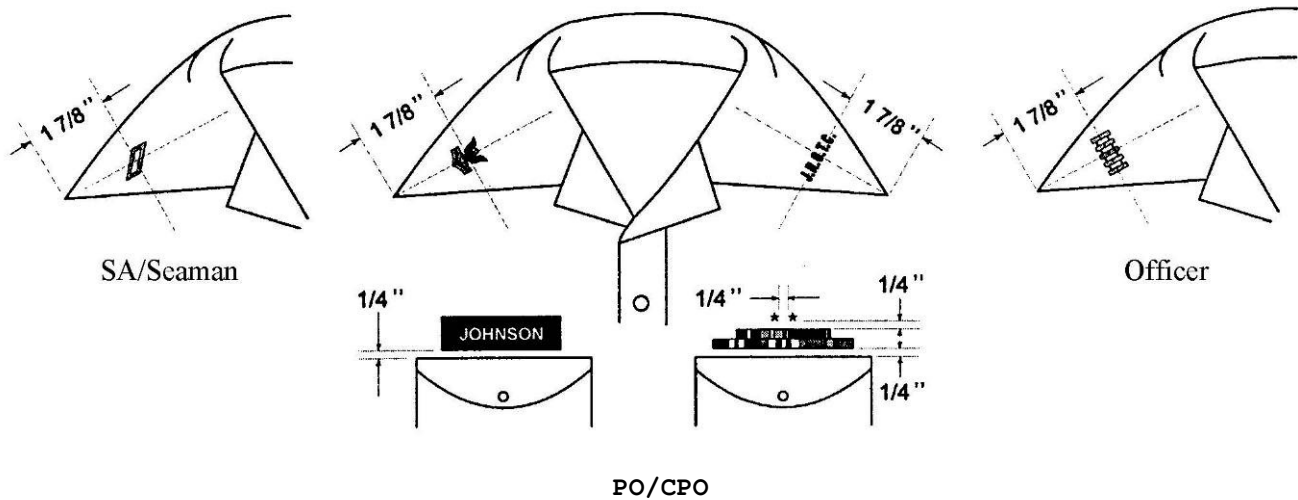
- Awards.....Ribbons/Medals/Cords
- Belt, brass tip...Black
- Buckle .....Brass
- Cap, garrison.....Blue
- Coat.....None
- Necktie.....None
- Shirt, s/sleeve...Khaki
- Shoes.....Black
- Socks.....Black
- Trousers.....Blue
- Undershirt.....White  
(V or crew-neck)

Outerwear:

- All-weather coat
- V- Neck Sweater
- Black relaxed fit jacket



MALE'S SHORT SLEEVE SERVICE SHIRT (Khaki)

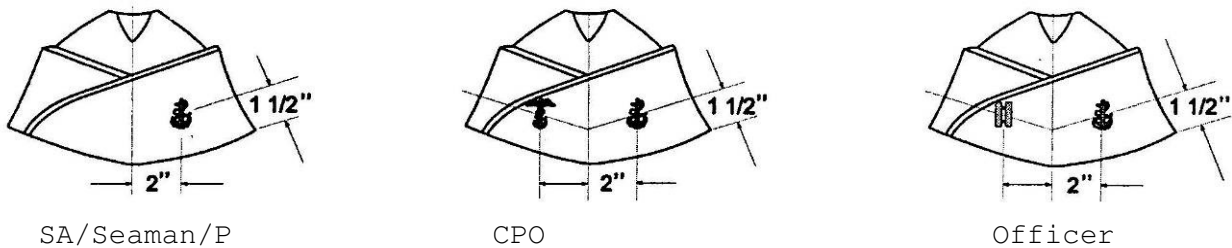


The vertical axis of the rank/rate insignia and the vertical axis of the JROTC bar insignia is positioned along an imaginary line bisecting the angle of the collar point. The center of each insignia is 1 and 7/8ths of an inch from the collar point. The diagram on the previous page shows the center of the insignia is positioned at the point where 1-inch lines perpendicular to the front and lower edges of the collar touch the imaginary line.

Service designation stars are worn 1/4-inch above the top row of ribbons. One star is centered, and multiple stars are 1/4-inch apart.

Ribbons and name tag are worn parallel to the top of the shirt pocket, 1/4-inch above and centered on the pocket button hole.

MALE'S BLUE GARRISON CAP



The blue garrison cap is worn with the Service uniform.

The small fouled anchor is worn on the garrison cap. The anchor is worn on the wearer's left side of the cap. The center of the anchor is bisected by a vertical line 2 inches from the fore crease of the garrison cap, and a horizontal line 1 and 1/2-inches from the bottom edge of the cap.

Only officers and chiefs wear the rank/rate insignia on the garrison cap. It is worn on the wearer's right side. The center of the rank/rate insignia is bisected by a vertical line 2 inches from the fore crease of the garrison cap, and a horizontal line 1 and 1/2-inches from the bottom edge of the cap.

(b) **SERVICE DRESS BLUE**

Basic Uniform Items:

Awards.....Ribbons/Medals/Cords  
Belt, brass tip...Black  
Buckle.....Brass  
Cap, combination..White  
Coat.....Blue  
Necktie.....Black  
Shirt, 1/sleeve...White  
Shoes.....Black  
Socks.....Black  
Trousers.....Blue  
Undershirt.....White  
(V or crew-neck)

Outerwear:

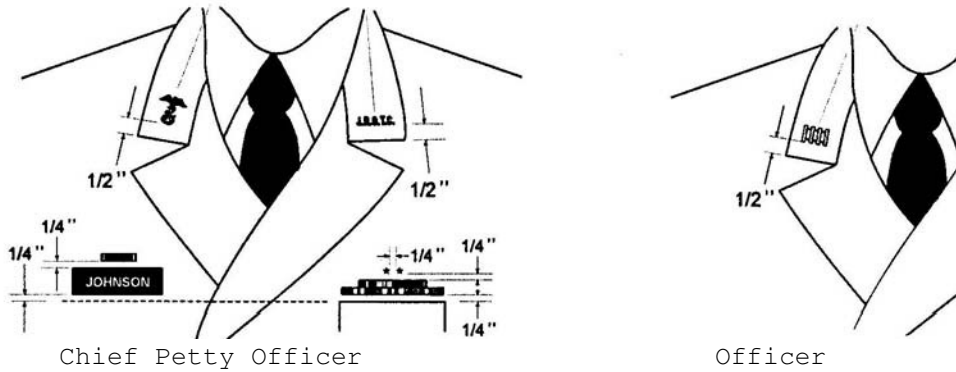
Peacoat  
All-weather coat

Optional Items:

Cap, garrison.....Blue



MALE'S SERVICE DRESS BLUE COAT (Officers/CPOs)



The JROTC bar and rank/rate insignias for the male's Service Dress Blue coat are positioned on the collar 1/2-inch above the notch in the lapel. The vertical axis of each insignia is parallel to, and centered between, the outer edges of the coat collar. The JROTC bar insignia is worn on the wearer's left side; the rank/rate insignia is worn on the wearer's right side.

Name tag and ribbons are parallel to the deck, 1/4-inch above and centered on the coat pocket.

Service designation stars are worn 1/4-inch above the top row of ribbons. One star is centered, and multiple stars are 1/4-inch apart.

MALE'S COMBINATION CAP  
(Officers/CPOs Optional)



The large fouled anchor is worn on the combination cap. Cadet chief petty officers wear a black chin strap on the cap; cadet officers wear a gold chin strap.

MALE'S GARRISON CAP



The small fouled anchor and rank/rate insignias are worn on the garrison cap for officers and chiefs. The anchor is worn on the wearer's left side of the cap; the rank/rate insignia is worn on the wearer's right side. The center of the anchor insignia and the center of the rank/rate insignia is bisected by a vertical line 2 inches from the fore crease of the garrison cap, and a horizontal line 1 and 1/2-inches from the bottom edge of the cap.

(c) **WORKING KHAKI**

Basic Uniform Items:

Awards.....None  
Belt, brass tip...Khaki  
Buckle.....Brass  
Cap, garrison.....Khaki  
Coat.....None  
Necktie.....None  
Shirt.....Khaki  
Shoes.....Black  
Socks.....Black  
Trousers.....Khaki  
Undershirt.....White  
(V or crew-neck)

Outerwear:

All-weather coat Utility jacket  
V- Neck Sweater  
Black relaxed fit jacket

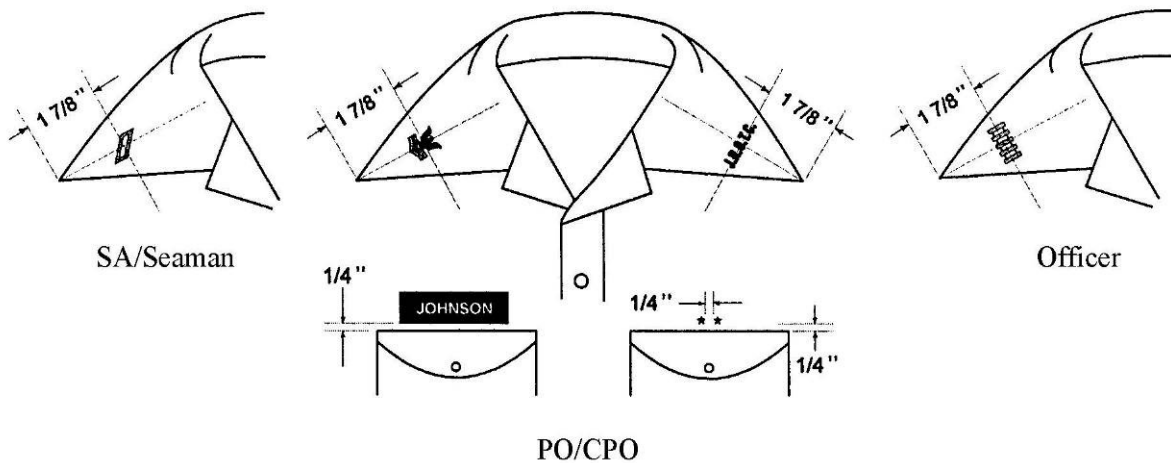
Optional Items:

Cap, ball.....Black  
(or school colors)



Note: Ribbons, medals and aiguillettes are not authorized on the Working Khaki uniform.

MALE'S WORKING KHAKI SHIRT



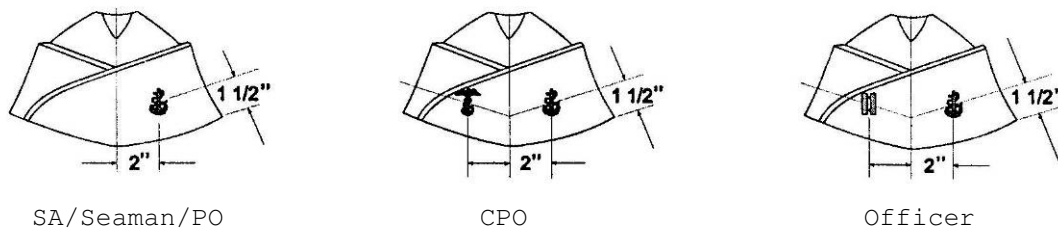
The vertical axis of the rank/rate insignia and the vertical axis of the JROTC bar insignia is positioned along an imaginary line which bisects the angle of the collar point. The center of the rank/rate insignia and the center of the JROTC bar insignia is positioned 1 and 7/8ths of an inch from the collar point.

Service designation stars are worn on the Working Khaki uniform 1/4-inch above the left pocket. One star is centered, and multiple stars are 1/4-inch apart.

The name tag is worn parallel to the top of the shirt right pocket, 1/4-inch above and centered on the pocket button hole.

**Awards are not authorized on the Working Khaki uniform.**

MALE'S KHAKI GARRISON CAP



All male cadets wear the Khaki garrison cap with the Working Khaki uniform.

The small fouled anchor is worn on the garrison cap. The anchor is worn on the wearer's left side of the cap. The center of the anchor is bisected by a vertical line 2 inches from the fore crease of the garrison cap, and a horizontal line 1 and 1/2-inches from the bottom edge of the cap.

Only officers and chiefs wear the rank/rate insignia on the garrison cap. It is worn on the wearer's right side. The center of the rank/rate insignia is bisected by a vertical line 2 inches from the fore crease of the garrison cap, and a horizontal line 1 and 1/2-inches from the bottom edge of the cap.

2. Females:

(a) **NAVY SERVICE**

Basic Uniform Items:

Awards.....Ribbons/Medals/Cords  
Belt, brass tip...Black  
Buckle.....Brass  
Cap, garrison.....Blue  
Coat.....None  
Hosiery, tone.....Flesh  
Necktab.....None  
Shirt, s/sleeve...Khaki  
Shoes, oxford.....Black  
Slacks, belted....Blue  
Socks.....Black

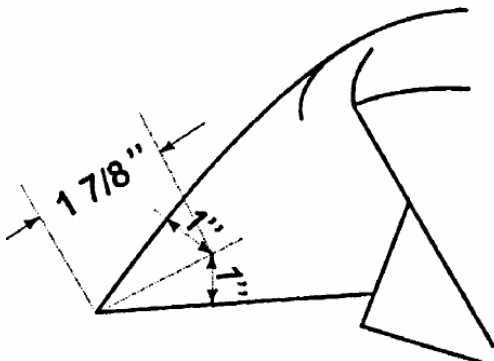
Outerwear:

All-weather coat  
V - Neck Sweater  
Black relaxed fit jacket

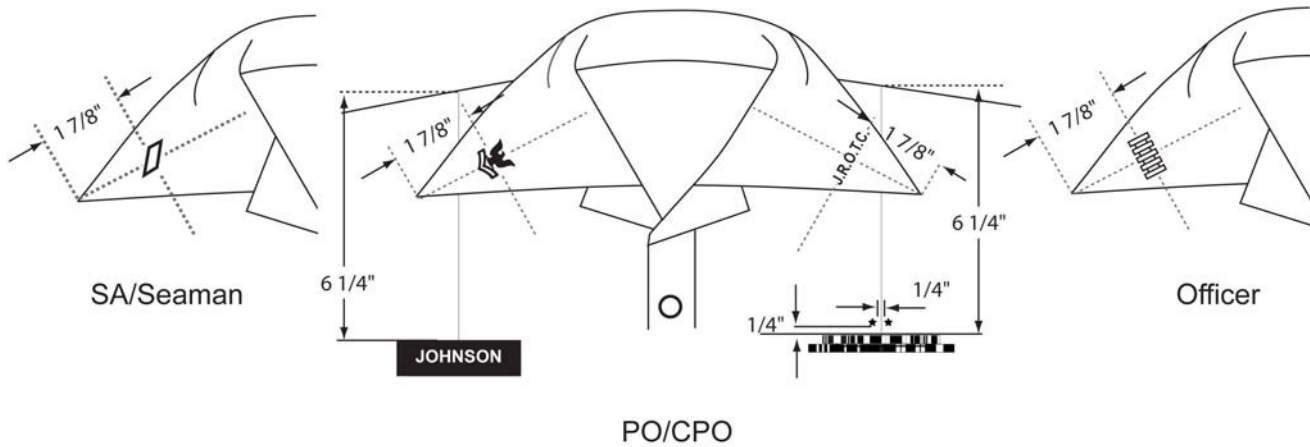
\*\*Female khaki shirts (Overblouse) shall be tucked in when wearing a Sword Harness, Flag Harness, or a Duty Belt

Optional Items:

Handbag.....Black  
Shoes, pumps.....Black  
Skirt, belted.....Blue  
Undershirt.....White  
(V or crew-neck)



FEMALE'S SHORT SLEEVE SERVICE SHIRT (Khaki)

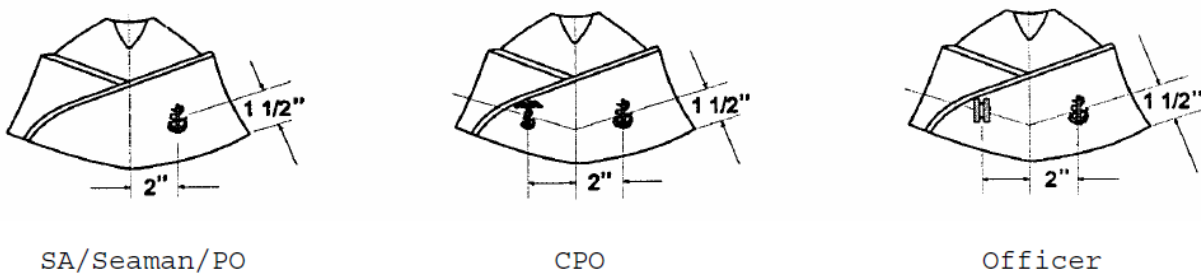


The vertical axis of the rank/rate insignia and the vertical axis of the JROTC bar insignia is positioned along an imaginary line bisecting the angle of the collar point. The center of each insignia is 1 and 7/8ths of an inch from the collar point. The diagram on the previous page shows the center of the insignia is positioned at the point where 1-inch lines perpendicular to the front and lower edges of the collar touch the imaginary line.

Service designation stars are worn 1/4-inch above the top row of ribbons. One star is centered, and multiple stars are 1/4-inch apart.

Placement of ribbons shall be six and one quarter inches down from the intersection of the front seam and shoulder seam and centered over the front seam. Nametags shall be placed in the same manner on the right side of the overblouse.

FEMALE'S BLUE GARRISON CAP



The blue garrison cap is worn with the Service uniform.

The small fouled anchor is worn on the garrison cap. The anchor is worn on the wearer's left side of the cap. The center of the anchor is bisected by a vertical line 2 inches from the fore crease of the garrison cap, and a horizontal line 1 and 1/2-inches from the bottom edge of the cap.

Only officers and chiefs wear the rank/rate insignia on the garrison cap. It is worn on the wearer's right side. The center of the rank/rate insignia is bisected by a vertical line 2 inches from the fore crease of the garrison cap, and a horizontal line 1 and 1/2-inches from the bottom edge of the cap.



(b) **SERVICE DRESS BLUE**

Basic Uniform Items:

Awards.....Ribbons/Medals/Cords  
Belt, brass tip...Black  
Buckle.....Brass  
Cap, combination..White  
Coat.....Blue  
Hosiery, tone.....Flesh  
Necktab.....Black  
Shirt, s/sleeve...White  
Shoes, oxford....Black  
Skirt, belted....Blue  
Skirt, unbelted...Blue  
Slacks, belted....Blue  
Slacks, unbelted..Blue  
Socks.....Black

Outerwear:

Peacoat  
All-weather coat

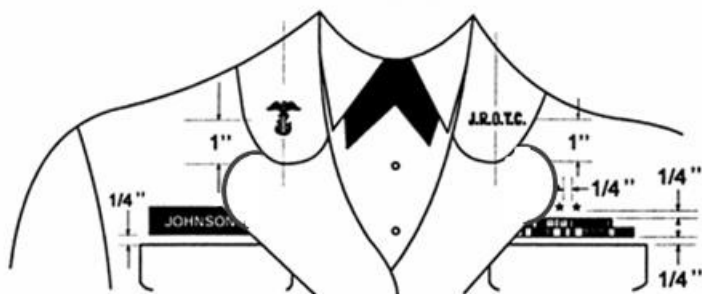
Optional Items:

Cap, garrison.....Blue  
Handbag.....Black  
Shoes, pumps.....Black  
Undershirt.....White  
(V or crew-neck)

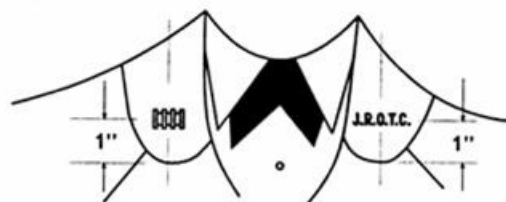


Note: Collar insignias on this coat should be positioned 1/2-inch above the notch in the lapel as described for the male SDB coat on page 1-14. The fabric on the SDB coat, slacks and skirt must match.

FEMALE'S SERVICE DRESS BLUE COAT (Officers/CPOs)



Chief Petty Officer



Officer

The JROTC bar and rank/rate insignias for the female's Service Dress Blue coat are positioned on the rounded end of the coat collar as shown above. The vertical axis of each insignia is parallel to, and centered between, the outer rounded edges of the collar. The insignias are fixed in an upright position with the center of the insignias 1 inch from the semicircular bottom edge of the collar. The JROTC bar insignia is worn on the wearer's left side; the rank/rate insignia is worn on the wearer's right side.

Name tag and ribbons are parallel to the top of the coat pocket, 1/4-inch above and centered on the coat pocket.

Service designation stars are worn 1/4-inch above the top row of ribbons. One star is centered, and multiple stars are 1/4-inch apart.

FEMALE'S COMBINATION CAP

(Officers/CPOs Optional)



Chief Petty Officer



Officer

The large fouled anchor is worn on the combination cap. Cadet chief petty officers wear a black chin strap on the cap; cadet officers wear a gold chin strap.

FEMALE'S GARRISON CAP

The small fouled anchor and rank/rate insignias are worn on the garrison cap for officers and chiefs. The anchor is worn on the wearer's left side of the cap; the rank/rate insignia is worn on the wearer's right side. The center of the anchor insignia and the center of the rank/rate insignia is bisected by a vertical line 2 inches from the fore crease of the garrison cap, and a horizontal line 1 and 1/2-inches from the bottom edge of the cap.

(c) **WORKING KHAKI**

Basic Uniform Items:

Awards.....None  
Belt, brass tip...Khaki  
Buckle.....Brass  
Cap, garrison.....Khaki  
Coat.....None  
Hosiery, tone.....Flesh  
Necktab.....None  
Shirt.....Khaki  
Shoes, oxford.....Black  
Slacks.....Khaki  
Socks.....Black

Outerwear:

All-weather coat  
Utility jacket  
V- Neck Sweater  
Black relaxed fit jacket

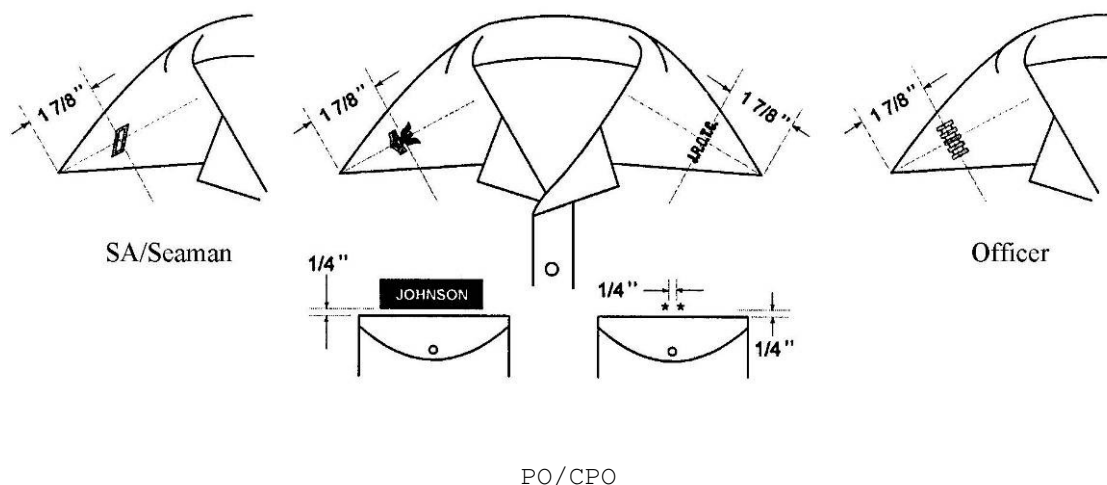
Optional Items:

Handbag.....Black  
Undershirt.....White  
(V or crew-neck)  
Cap, ball.....Black  
(or school colors)



Note: Ribbons, medals and aiguillettes are not authorized on the Working Khaki uniform.

FEMALE'S WORKING KHAKI SHIRT



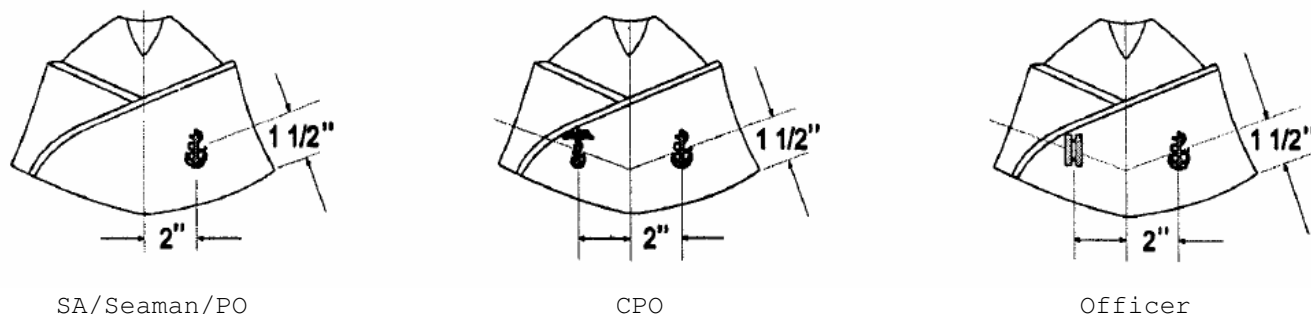
The vertical axis of the rank/rate insignia and the vertical axis of the JROTC bar insignia is positioned along an imaginary line which bisects the angle of the collar point. The center of the rank/rate insignia and the center of the JROTC bar insignia is positioned 1 and 7/8ths of an inch from the collar point.

Service designation stars are worn on the Working Khaki uniform 1/4-inch above the left pocket. One star is centered, and multiple stars are 1/4-inch apart.

The name tag is worn parallel to the top of the shirt right pocket, 1/4-inch above and centered on the pocket button hole.

**Awards are not authorized on the Working Khaki uniform.**

FEMALE'S KHAKI GARRISON CAP



**All female cadets wear the Khaki garrison cap with the Working Khaki uniform.**

The small fouled anchor is worn on the garrison cap. The anchor is worn on the wearer's left side of the cap. The center of the anchor is bisected by a vertical line 2 inches from the fore crease of the garrison cap, and a horizontal line 1 and 1/2-inches from the bottom edge of the cap.

Only officers and chiefs wear the rank/rate insignia on the garrison cap. It is worn on the wearer's right side. The center of the rank/rate insignia is bisected by a vertical line 2 inches from the fore crease of the garrison cap, and a horizontal line 1 and 1/2-inches from the bottom edge of the cap.