

VERITAS NetBackup™ 6.0

Commands

for Windows

N152618

September 2005

Disclaimer

The information contained in this publication is subject to change without notice. VERITAS Software Corporation makes no warranty of any kind with regard to this manual, including, but not limited to, the implied warranties of merchantability and fitness for a particular purpose. VERITAS Software Corporation shall not be liable for errors contained herein or for incidental or consequential damages in connection with the furnishing, performance, or use of this manual.

VERITAS Legal Notice

Copyright © 1998 - 2005 VERITAS Software Corporation. All rights reserved. VERITAS, the VERITAS Logo, and VERITAS NetBackup are trademarks or registered trademarks of VERITAS Software Corporation or its affiliates in the U.S. and other countries. Other names may be trademarks of their respective owners.

Portions of this software are derived from the RSA Data Security, Inc. MD5 Message-Digest Algorithm. Copyright 1991-92, RSA Data Security, Inc. Created 1991. All rights reserved.

VERITAS Software Corporation
350 Ellis Street
Mountain View, CA 94043
USA
Phone 650-527-8000
Fax 650-527-2908
www.veritas.com

Third-Party Copyrights

For a list of third-party copyrights, see the *NetBackup Release Notes* appendix.



Contents

Preface	ix
Getting Help	ix
Finding NetBackup Documentation	ix
Accessing the VERITAS Technical Support Web Site	x
Contacting VERITAS Licensing	xi
Accessibility Features	xi
Comment on the Documentation	xii
Conventions	xii
Command Usage	xii
NetBackup Command Conventions	xiii
NetBackup Media Manager Command Notes	xiv
Introduction	xiv
Chapter 1. NetBackup Commands	1
acsd	1
add_media_server_on_clients	3
backupdbtrace	4
backuptrace	6
beconv	8
bmrc	11
bmrconfig	14
bmrepadm	19
bmrprep	22
bmrs	25



bmrstadm	29
bparchive	30
bpauthorize	34
bpauthsync	37
bpbackup	40
bpbackupdb	46
bpcatarc	50
bpclist	51
bpctres	54
bpctrm	55
bpcd	56
bpchangeprimary	58
bpclient	62
bpclntcmd	66
bpcompatd	68
bpconfig	70
bpdbjobs	80
bpdown	87
bpduplicate	89
bperror	97
bpexpdate	108
bpfis	114
bpgetconfig	117
bpgetdebuglog	119
bpimage	120
bpimagelist	125
bpimedia	132
bpimport	142
bpinst	148
bpkeyfile	156



bpkeyutil	158
bplabel	160
bplist	163
bpmedia	169
bpmedialist	172
bpminlicense	183
bpnbat	185
bpnbaz	191
bpplclients	208
bppldelete	215
bpplininclude	216
bpplininfo	221
bppllist	230
bpplsched	232
bpplschedrep	243
bpolicynew	250
bpps	256
bprecover	260
bprestore	266
bpschedule	275
bpschedulerep	282
bpsetconfig	288
bpstsinfo	290
bpstuadd	294
bpstudel	302
bpstulist	304
bpsturep	310
bpstestbpcd(1M)	317
bpup	320
bpverify	322



cat_convert	330
create_nbdb	334
duplicatetrace	336
importtrace	339
nbdb_admin	342
nbdb_backup	344
nbdb_move	345
nbdb_ping	346
nbdb_restore	347
nbdb_unload	348
nbemm	350
nbemmcmd	351
nbjm	367
nbnos	368
nbpem	369
nbpemreq	371
nbpushdata	372
nrb	378
restoretrace	379
set_ndmp_attr	381
tl4d	384
tl8d	385
tldd	388
tlhd	392
tlmd	395
tpautoconf	396
tpclean	400
tpconfig	403
tpreq	416
tpunmount	418



verifytrace	419
vltcontainers	422
vlteject	427
vltinject	431
vloffsitemedia	433
vltopmenu	437
vltrun	438
vmadd	442
vmchange	445
vmcheckxxx	453
vmdelete	455
vmoprcmd	457
vmphyinv	463
vmpool	467
vmquery	470
vmrule	474
vmupdate	476
vopie_util	479
vopied	483
vxlogcfg	485
vxlogmgr	492
vxlogview	496
.....	500
Index	501





Preface

The purpose of this document is to provide you with a book that contains all of the NetBackup “man page” commands. This enables you to find a printable version of the command quickly and easily without searching through multiple books in the NetBackup Library.

This document contains detailed information about each NetBackup command pertinent to a Windows system. Each command contains a brief description of the primary function of the command, a synopsis, and descriptions of each of the options listed in the synopsis. In addition, some commands contain notes and examples to help the user understand how to use the command.

Getting Help

You can find answers to questions and get help from the NetBackup documentation and from the VERITAS technical support web site.

Finding NetBackup Documentation

A list of the entire NetBackup documentation set appears as an appendix in the *NetBackup Release Notes*. All NetBackup documents are included in PDF format on the NetBackup Documentation CD.

For definitions of NetBackup terms, consult the online glossary.

▼ To access the NetBackup online glossary

1. In the NetBackup Administration Console, click **Help > Help Topics**.
2. Click the **Contents** tab.
3. Click **Glossary of NetBackup Terms**.

Use the scroll function to navigate through the glossary.



Accessing the VERITAS Technical Support Web Site

The address for the VERITAS Technical Support Web site is <http://support.veritas.com>.

The VERITAS Support Web site lets you do any of the following:

- ◆ Obtain updated information about NetBackup, including system requirements, supported platforms, and supported peripherals
- ◆ Contact the VERITAS Technical Support staff and post questions to them
- ◆ Get the latest patches, upgrades, and utilities
- ◆ View the NetBackup Frequently Asked Questions (FAQ) page
- ◆ Search the knowledge base for answers to technical support questions
- ◆ Receive automatic notice of product updates
- ◆ Find out about NetBackup training
- ◆ Read current white papers related to NetBackup

From <http://support.veritas.com>, you can complete various tasks to obtain specific types of support for NetBackup:

1. Subscribe to the VERITAS Email notification service to be informed of software alerts, newly published documentation, Beta programs, and other services.
 - a. From the main <http://support.veritas.com> page, select a product family and a product.
 - b. Under Support Resources, click **Email Notifications**.

Your customer profile ensures you receive the latest VERITAS technical information pertaining to your specific interests.
2. Locate the telephone support directory at <http://support.veritas.com> by clicking the **Phone Support** icon. A page appears that contains VERITAS support numbers from around the world.

Note Telephone support for NetBackup is only available with a valid support contract. To contact VERITAS for technical support, dial the appropriate phone number listed on the Technical Support Guide included in the product box and have your product license information ready for quick navigation to the proper support group.

3. Contact technical support using e-mail.



- a. From the main <http://support.veritas.com> page, click the **E-mail Support** icon.
A wizard guides you to do the following:
 - ◆ Select a language of your preference
 - ◆ Select a product and a platform
 - ◆ Provide additional contact and product information, and your message
 - ◆ Associate your message with an existing technical support case
- b. After providing the required information, click **Send Message**.

Contacting VERITAS Licensing

For license information, you can contact us as follows:

- ◆ Call 1-800-634-4747 and select option 3
- ◆ Fax questions to 1-650-527-0952
- ◆ In the Americas, send e-mail to amercustomer@veritas.com.
In the Asia and Pacific areas, send email to apaccustomer@veritas.com.
In all other areas, send email to internationallicense@veritas.com.

Accessibility Features

NetBackup contains features that make the user interface easier to use by people who are visually impaired and by people who have limited dexterity. Accessibility features include:

- ◆ Support for assistive technologies such as screen readers and voice input (Windows servers only)
- ◆ Support for keyboard (mouseless) navigation using accelerator keys and mnemonic keys

For more information, see the *NetBackup Installation Guide*.



Comment on the Documentation

Let us know what you like and dislike about the documentation. Were you able to find the information you needed quickly? Was the information clearly presented? You can report errors and omissions or tell us what you would find useful in future versions of our manuals and online help.

Please include the following information with your comment:

- ◆ The title and product version of the manual on which you are commenting
- ◆ The topic (if relevant) on which you are commenting
- ◆ Your comment
- ◆ Your name

Email your comment to NBDocs@veritas.com.

Please only use this address to comment on product documentation. See “Getting Help” in this preface for information on how to contact Technical Support about our software.

We appreciate your feedback.

Conventions

The following section explains the various conventions used in this guide.

Command Usage

The following conventions are frequently used in the synopsis of command usage.

brackets []

The enclosed command line component is optional.

Vertical bar or pipe (|)

Separates optional arguments from which the user can choose. For example, when a command has the following format:

```
command arg1 | arg2
```

In this example, the user can use either the *arg1* or *arg2* variable.

Navigating Multiple Menu Levels

When navigating multiple menu levels, a greater-than sign (>) is used to indicate a continued action.



The following example shows how the > is used to condense a series of menu selections into one step:

- ◆ Select **Start > Programs > VERITAS NetBackup > NetBackup Administration Console.**

The corresponding actions could be described in more steps as follows:

1. Click **Start** in the task bar.
2. Move your cursor to **Programs.**
3. Move your cursor to the right and highlight **VERITAS NetBackup.**
4. Move your cursor to the right. First highlight and then click **NetBackup Administration Console.**

NetBackup Command Conventions

This document uses the following conventions when describing commands that are specific to NetBackup. Run these commands in the “Command Prompt” to see the results.

- ◆ Brackets [] indicate that the enclosed component of the command line is optional.
- ◆ Curly braces { } indicate an association between the enclosed options. For instance, {opt1 [opt2 ... optn]} means that if the command contains opt1, then the command may optionally contain opt2 ... optn.
- ◆ A vertical bar (or the pipe symbol) | separates optional arguments from which the user can choose. For example, if a command has the following format, you can choose arg1 or arg2 (but not both):

```
command [arg1 | arg2]
```

- ◆ Italics indicate that the information is user supplied. For example, the user supplies *policy*, *schedule*, and *filename* in the following command:

```
bpbackup -p policy -s schedule filename
```

- ◆ An ellipsis (...) means that you can repeat the previous parameter. For example, consider the following command:

```
bpbackup [-S master_server [,master_server,...]] filename
```

Here, the -S option requires the first master server name. Additional names can be added, separated by commas and followed by a file name as in:

```
bpbackup -S mars,coyote,shark,minnow memofile.doc
```



NetBackup Media Manager Command Notes

In addition, Media Manager has a set of commands that are for device management and are started or stopped by the NetBackup Device Manager service (`ltid`) as needed.

- ◆ `tpreq` and `tpunmount` are user commands for requesting tape mounts and unmounts for configured drives.
- ◆ `tpautoconf`, `tpclean`, `tpconfig`, and `vmopr cmd` are administrative commands for device management.
- ◆ `vmadd`, `vmchange`, `vmcheckxxx`, `vmdelete`, `vm pool`, and `vmquery`, `vmrule`, and `vmupdate` are administrative commands for media management.

Introduction

Included in this document are the NetBackup Server and NetBackup Enterprise Server commands. In most cases, a command pertains to both NetBackup products. However, there are instances where portions or options within a command apply specifically to one product such as NetBackup Enterprise Server. In these situations, a note has been inserted in the text to identify the information as only information that only applies to one NetBackup product.



NetBackup Commands

1

This chapter describes all of the NetBackup commands that can be referenced on a Windows platform in alphabetical order.

acsd

NAME

acsd - Automated Cartridge System (ACS) process

SYNOPSIS

```
install_path\volmgr\bin\acsd
```

DESCRIPTION

acsd interfaces with Media Manager to automatically mount and unmount tapes that are under Automated Cartridge System (ACS) control. It is initiated by the NetBackup Device Manager service (`ltid`), if the Media Manager device configuration shows drives in an ACS robot. Stopping `ltid` stops `acsd`.

`acsd` performs its tasks by sending requests to the STK LibAttach service which communicates with the server that controls the Automated Cartridge System.

When the connection is established, `acsd` puts the ACS robot in the UP state and can mount and unmount tapes. If the connection cannot be established or Automated Cartridge System errors exist, `acsd` changes the robot to the DOWN state. In this state, `acsd` is still running and returns the robot to the UP state when the problem no longer exists.

Drives are addressed and defined in Media Manager using the following: ACS number, LSM number, Panel number, and Drive number.

Drive cleaning for ACS robots must be configured using ACS library software. Cleaning volumes cannot be defined using Media Manager. In addition, you cannot use the `tpclean` command for cleaning operations on drives under ACS robotic control.



The Internet service port number for `acsd` must be in `%SystemRoot%\system32\drivers\etc\services`. To override the services file, create the file `install_path\Volmgr\database\ports\acsd` with a single line that contains the service port number for `acsd`. The default service port number is 13702.

You must have administrator privileges to execute this command.

NOTES

This command applies only to NetBackup Enterprise Server.

ERRORS

Media Manager logs ACS and network errors to the Windows application event log. Log entries are also made when the state changes between UP and DOWN.

add_media_server_on_clients

NAME

add_media_server_on_clients - Add Media Server on Clients

SYNOPSIS

```
install_path\NetBackup\bin\add_media_server_on_clients
```

DESCRIPTION

You can run the `add_media_server_on_clients` command from a NetBackup server to attempt to synchronize the server list from the server's configuration with the server lists on the known clients.

The `add_media_server_on_clients` command attempts to connect to all configured clients (clients listed in backup policies).

For each client that it can connect to, `add_media_server_on_clients` updates the client's configuration, if necessary, to include all the servers from the server's configuration.



backupdbtrace

NAME

backupdbtrace – trace debug logs of backupdb (NetBackup image catalog backup) job[s]

SYNOPSIS

```
install_path\NetBackup\bin\admincmd\backupdbtrace [-server  
  name] [-job_id number] [-start_time hh:mm:ss]  
  [-end_time hh:mm:ss] [-install_path path] mmdyy  
  [mmdyy ...]
```

DESCRIPTION

backupdbtrace consolidates the debug log messages for the specified backup database job[s] and writes them to standard output. The messages will be sorted by time. backupdbtrace will attempt to compensate for time zone changes and clock drift between remote servers and clients.

At a minimum, you must enable debug logging for administrator on the master server, and for bptm and bpbkar on the media server. For best results, set the verbose logging level to 5 and enable debug logging for bpdbrm on the master server and bpcd on all servers in addition to the processes already identified.

If -job_id is specified, backupdbtrace uses this option as the sole criterion for selecting the backupdb job to trace. If option -job_id is not used, then backupdbtrace selects all the backupdb jobs executed on all the days specified by day stamps (*mmdyy*). If -start_time/-end_time options are used then the debug logs in the specified time interval are examined.

backupdbtrace writes error messages to standard error.

You must have administrator privileges to execute this command.

OPTIONS

- server
Name of the media server where the backupdb command is executed. The default is the local host name.
- job_id
Job ID number of the backupdb job to analyze. Default is any job ID.
- start_time
Earliest time stamp to start analyzing the logs. Default is 00:00:00.
- end_time
Latest time stamp to finish analyzing the logs. Default is 23:59:59.



mmddyy

One or more day stamps. This identifies the log file names (log.mmddyy for UNIX, mmddyy.log for Windows) that will be analyzed.

OUTPUT FORMAT

The format of an output line is:

<daystamp>.<millisecs>.<program>.<sequence> <machine> <log_line>

daystamp

The day of the log in yyyyymmdd format.

millisecs

The number of milliseconds since midnight on the local machine.

program

The name of program (ADMIN, BPBKAR, BPCD, etc.) being logged.

sequence

Line number within the debug log file.

machine

The name of the NetBackup server or client.

log_line

The line that actually appears in the debug log file.

EXAMPLES

Example 1

The following example analyzes the log of backupdb job with job ID 5 executed on August 6, 2002.

```
backupdbtrace -job_id 5 080602
```

Example 2

The following example analyzes the log of all backupdb jobs that are executed on August 5, 2002 and August 17, 2002.

```
backupdbtrace 080502 081702
```



backuptrace

NAME

backuptrace – consolidate the debugs logs for a NetBackup job.

SYNOPSIS

```
install_path\NetBackup\bin\admincmd\backuptrace [-master_server  
name] [-job_id number] [-birth_time number]  
[-policy_name name] [-client_name name] [-start_time  
hh:mm:ss] [-end_time hh:mm:ss] mmddyy [mmddyy...]
```

DESCRIPTION

The `backuptrace` utility can be used to consolidate the debug logs for a specified NetBackup job[s]. The debug log messages relevant to the specified backup job[s] will be written to standard output. The messages will be sorted by time. The `backuptrace` utility will attempt to compensate for time zone changes and clock drift between remote servers and clients. The output is formatted so that it should be relatively easy to sort or grep by time stamp, program name, and/or server/client name.

At a minimum, you must enable debug logging for `nbpem` on the master server, for `bpbrm`, `bptm/bpdm` on the media server and `bpbkar` on the client. For best results, set the verbose logging level to 5 and enable debug logging for `bpdbm` and `bprd` on the master server and for `bpcd` on all servers and clients in addition to the processes already identified.

The `backuptrace` utility can be used for regular file system, database extension and alternate backup method backup jobs.

You must have administrator privileges to execute this command.

OPTIONS

```
-master_server name  
    Name of the master server. Default is the local host name.  
  
-job_id number  
    Job ID number of the backup job to analyze.  
  
-birth_time number  
    Birth time (seconds since 1970) of the backup job to analyze.  
  
-policy_name name  
    Policy name of the jobs to analyze.  
  
-client_name name  
    Client name of the jobs to analyze.
```



`-start_time hh:mm:ss`
Earliest time stamp to start analyzing the logs.

`-end_time hh:mm:ss`
Latest time stamp to finish analyzing the logs.

`mmddyy [mmddyy]`
One or more day stamps. This identifies the log file names (log.mmddyy for UNIX, mmddyy.log for Windows) that will be analyzed.

NOTES

Media Manager logs are not analyzed.

EXAMPLES

```
C:\Program Files\VERITAS\NetBackup\bin\admincmd\backuptrace policy  
weekly_bkups 051205 >/tmp/jobs.weekly_bkups
```

This invocation of the utility will consolidate logs for all jobs started for the policy *weekly_bkups* on *05/12/05*. Use the `-start_time`/`-end_time` arguments to limit the window for which the jobs are to be evaluated.



beconv

NAME

beconv - Convert Backup Exec on-disk catalogs to NetBackup on-disk catalogs.

SYNOPSIS

```
install_path\NetBackup\bin\admincmd\beconv -all [-L  
    output_file] [-non_interactive] [-auto_correct]  
install_path\NetBackup\bin\admincmd\beconv -rn robot_number [-L  
    output_file] [-non_interactive]  
install_path\NetBackup\bin\admincmd\beconv -tbs [-rn  
    robot_number] [-L output_file] [-non_interactive]  
install_path\NetBackup\bin\admincmd\beconv -m media_id [-h  
    volume_database_host] [-L output_file]  
    [-non_interactive] [-f]  
install_path\NetBackup\bin\admincmd\beconv -check_consistency  
install_path\NetBackup\bin\admincmd\beconv -show_mappings
```

DESCRIPTION

The `beconv` command converts Backup Exec on-disk catalogs to NetBackup catalogs. It also converts Backup Exec media records to NetBackup Media Manager records with the media being assigned to NetBackup. The media is kept in a frozen state so that NetBackup does not accidentally use it for backups.

The expiration date for Backup Exec images is the current date plus a retention level of 2 weeks. For example, if Backup Exec catalogs are converted on 7 August 2003, the expiration date for converted NetBackup catalogs will be 21 August 2003.

When the images expire, run `beconv` to regenerate the images.

OPTIONS

`-all`
All media belonging to the Backup Exec server are converted and the corresponding images are generated.

`-auto_correct`
Use this option to take corrective actions (if any). Use it only when indicated during an earlier run of `beconv`.

`-check_consistency`
Use this option to check the consistency of Enterprise Media Manager Database.



With this option specified, no conversion takes place. In this mode, `beconv` searches for Media Manager records with ambiguous GUIDs and media ids in all the volume databases belonging to locally configured devices, then displays the list.

- f
-f denotes the family to which the media belongs. -f converts all the media belonging to the same Backup Exec family. Use for backups which span more than one media.
- h *volume_database_host*
Specifies the EMM server name where the media is actually present. If this is not specified, the local host name is taken.
- L *output_file*
Specifies the name of a file in which to write progress information. The default is to not use a progress file.
- m *media_id*
Specifies the media id of the Backup Exec media which needs to be converted.
- non_interactive
Do not prompt for user input and carry on with the changes. Default is interactive mode, during which the user is prompted before any actual image generation.
- rn *robot_number*
Specifies the NetBackup robot number for which the media need to be converted.
- show_mappings
This option lists the current mappings between Backup Exec and NetBackup robots. With this option specified, no conversion takes place and only the mappings are displayed.
- tbs
Trust By Slot. This mode is only for non-barcoded robotic media. In this mode, a match between a Backup Exec media record and a NetBackup Media Manager record is done on the basis of physical location of the media in the robot. In order for a match to be successful, physical inventory of the robot should be done prior to running `beconv` in this mode. The -tbs option can be combined with the -rn option to convert media for the specified robot only.

EXAMPLES

Example 1

To run the catalog converter to convert all the media present on a Backup Exec server:



```
beconv -all
```

Example 2

To run the catalog converter to convert only one media present on a Backup Exec server:

```
beconv -m A00000 -h volume_database_host
```

Where:

A00000 is the media record corresponding to the Backup Exec media which needs to be converted.

volume_database_host is the machine where the NetBackup volume manager database resides.

bmrc

NAME

bmrc - submit requests to the server daemon

SYNOPSIS

```
install_path\NetBackup\bin\bmrc -operation change -resource {
    restoretask | discovertask } [-client clientName]
    -state numericStateCode -progress numericProgressCode

install_path\NetBackup\bin\bmrc -operation complete -resource {
    restoretask | discovertask } [-client clientName]
    -state numericStateCode

install_path\NetBackup\bin\bmrc -operation create -resource log
    [-client clientName]

install_path\NetBackup\bin\bmrc -operation create -resource
    message [-client clientName] -msg messageText

install_path\NetBackup\bin\bmrc -operation pull -resource {
    info | procedure } [-client clientName] -source
    sourceFileName -destination destinationFileName
```

DESCRIPTION

The `bmrc` client program runs on a BMR client and submits requests to the Bare Metal Restore server daemon. The operation and resource are specified as arguments.

When invoked from an external procedure in the repair environment on a restoring client, you must specify the path to the `bmrc` command as follows:

```
%SystemDrive%\BMR\NBU\bin
```

At the first boot external procedure point, `bmrc` is in `install_path\VERITAS\NetBackup\bin`.

OPTIONS

```
-client clientName
    Name of the Bare Metal Restore client.

-destination destinationFileName
    On pull operation, pathname of file to be created on the local host.

-msg messageText
    Text message to be added to the log on the server.
```



- operation *operationName*
An operation to perform:
 - change
 - complete
 - create
 - pull
- progress *numericProgressCode*
A numeric progress code, used internally by Bare Metal Restore.
- resource *resourceName*
A resource on which to perform the operation:
 - discovertask
 - info
 - log
 - message
 - procedure
 - restoretask
- source *sourceFileName*
On pull operation, name of file to retrieve from database.
- state *numericStateCode*
A numeric state code, used internally by Bare Metal Restore.

EXAMPLES

Example 1

Change the status of a discovery task:

```
bmrc -operation change -resource discovertask -client clientName  
-state numericStateCode -progress numericProgressCode
```

Example 2

Change the status of a restore task:

```
bmrc -operation change -resource restoretask -client clientName  
-state numericStateCode -progress numericProgressCode
```

Example 3

Complete a discovery task and set a final status code:

```
bmrc -operation complete -resource discovertask -client clientName  
-status numericStatus
```

Example 4



Complete a restore task and set a final status code:

```
bmrc -operation complete -resource restoretask -client clientName
      -status numericStatus
```

Example 5

Create a log on the server from standard input to this command:

```
bmrc -operation create -resource log -client clientName
```

Example 6

Create a message, which is added to a log on the server:

```
bmrc -operation create -resource message -client clientName -msg
      message text
```

Example 7

Pull a file from the server:

```
bmrc -operation pull -resource info -client clientName -source
      sourceFileName -destination destinationFileName
```

Example 8

Pull an external procedure from the server:

```
bmrc -operation pull -resource procedure -client clientName
      -source sourceFileName -destination destinationFileName
```

NOTES

If NetBackup Access Management is used in your environment, you have to renew your user credentials and the machine credentials if the credentials expired before you perform prepare to restore operations. Use the `bpnbat` command and `-Login` option to renew your user credentials, and use the `bpnbat` command and `-LoginMachine` option to renew the machine credentials.

Specifying `-?` displays the command's usage statement when it is the only option on the command line.



bmrconfig

NAME

bmrconfig - change configuration settings

SYNOPSIS

```
install_path\NetBackup\bin\bmrconfig -help [-resource  
    resourceType  
    [-platform win | hp | aix | solaris | linux]  
    [-manager ldm | lvm | native | sfw | svm | vxvm]  
    [-operation add | change | clearAll | delete | display  
    | list | map]]  
  
install_path\NetBackup\bin\bmrconfig -operation verify -client  
    clientName -configuration configName  
  
install_path\NetBackup\bin\bmrconfig -operation initialize  
    -resource disk | network | all  
    -client clientName -configuration <configName>  
    -sourceconfiguration source_configName  
  
install_path\NetBackup\bin\bmrconfig -operation initialize  
    -resource disk | network | all  
    -client clientName -configuration configName  
    -sourceclient source_clientName -sourceconfiguration  
    source_configName  
  
install_path\NetBackup\bin\bmrconfig -operation add | change |  
    clearAll | delete | display | list | map  
    -resource resourceType [-name resourceName]  
    [-manager ldm | lvm | native | sfw | svm | vxvm]  
    -client clientName -configuration configName  
    [-attributes "key=value" ["key=value" ...]]
```

DESCRIPTION

The `bmrconfig` command changes a configuration's system, network, volume, driver and NetBackup settings. The read-only current and discovered configurations cannot be changed; use the `bmrsc` command to create a copy of a configuration that you can change.

OPTIONS

- attributes
Attributes of the resource are specified as name-value pairs. The name will always be an alphanumeric string. The value is free form but must be double-quoted. To determine the specific set of attributes that apply to a resource, use `bmrconfig -operation list -resource resourceType`.
- client *clientName*
The NetBackup client name.
- configuration *configName*
The configuration to operate on.
- force
Forces the removal of a resource and all of its dependent resources.
- help
Prints a command line usage message when `-help` is the only option on the command line.
- manager
The volume manager that controls the resource. Volume managers are:
 - ldm - Windows Logical Disk Manager
 - lvm - AIX or HP-UX Logical Volume Manager
 - native - the volume manager native to the operating system.
 - sfw - VERITAS Storage Foundation for Windows
 - svm - Solaris Volume Manager
 - vxvm - VERITAS Volume Manager
- name *resourceName*
The name of the resource to act on. The valid characters in a resource name are determined by the various volume managers.
- operation *operation_name*
The operation to perform. Operations are:
 - add - adds a resource to the configuration
 - change - changes specific attributes of a resource
 - clearAll - removes all resources except disks from a disk group
 - delete - removes a resource from the configuration
 - display - prints high-level information about the resource
 - help - prints all the resources required and optional attributes and values
 - initialize - initialize a configuration's hardware from a discovered configuration



`list` - prints all the instances of the specified resource type
`map` - maps a resource, including dependent resources, from the original configuration to the working configuration
`verify` - checks that a config has sufficient data for a restore to succeed

`-resource resourceType`

The type of the resource on which the operation is performed. Resource types are:

`all` - all resources
`accesspath` - a Windows access path
`disk` - a physical storage device
`diskgroup` - a logical grouping of disks
`diskset` - a Solaris Volume Manager disk set
`driveletter` - a Windows drive letter
`esm` - backup client identity
`filesystem` - a file system for UNIX, Linux, and Windows
`gateway` - a network gateway
`host` - a network server
`hotfix` - a Windows hot fix
`hotsparepool` - a set of slices used for SVM failover
`ip` - network identity
`license` - a product license key
`logicaldrive` - a Windows extended partition; first one implicitly adds container
`logicalvolume` - an AIX or HP-UX logical volume
`metadb` - a SVM database replica slice
`mountpoint` - a path that serves as an access point to a volume
`msd` - a mass storage driver
`multidevice` - a Linux multidevice
`network` - a sub network
`nic` - a network interface card
`nicpkg` - a network interface card driver
`partition` - Windows primary partition
`physicalvolume` - an AIX or HP-UX physical volume
`slice` - a Solaris slice; equivalent to volume
`softpart` - a SVM soft partition
`volume` - a logical division of a disk or disk group

`volumegroup` - an AIX or HP-UX volume group

`-sourceconfiguration` *source_configName*

The configuration that is the source in an initialize configuration operation.

`-sourceclient` *source_clientName*

The client that serves as the source in an initialize configuration operation. If a source client is not specified, the configuration comes from the list of discovered configurations.

EXAMPLES

Example 1

List the physical volumes in a configuration for client aixp31:

```
bmrconfig -operation list -resource physicalvolume -configuration
current -client aixp31
```

Example 2

Display the attributes of a physical volume for client aixp31:

```
bmrconfig -operation display -resource physicalvolume
-configuration current -client aixp31 -name hdisk0
```

Example 3

List the volume groups in a configuration for client aixp31:

```
bmrconfig -operation list -resource volumegroup -configuration
current -client aixp31
```

Example 4

Display the attributes of a volume group for client aixp31:

```
bmrconfig -operation display -resource volumegroup -configuration
current -client aixp31 -name rootvg
```

Example 5

Initialize the new configuration with the discovered hardware for client aixp31:

```
bmrconfig -operation initialize -resource config -configuration
mynew -client aixp31 -sourceconfiguration discover
```

Example 6

Add a volume group to a configuration for client aixp31:

```
bmrconfig -operation add -configuration mynew -client aixp31
-resource volumegroup -name rootvg -attributes
physicalvolume=hdisk1
```



Example 7

Add a disk to a volume group for client aixp31 (requires a full list of physical volumes to be specified):

```
bmrconfig -operation modify -configuration mynew -client aixp31
-resource volumegroup -name rootvg -attributes
physicalvolume=hdisk1 physicalvolume=hdisk0
```

Example 8

Remove a physical volume from a volume group for client aixp31:

```
bmrconfig -operation modify -configuration mynew -client aixp31
-resource volumegroup -name rootvg -attributes
physicalvolume=hdisk0
```

Example 9

Map a volume group from the original configuration for client aixp31:

```
bmrconfig -operation map -configuration mynew -client aixp31
-resource volumegroup -name rootvg
```

NOTES

If NetBackup Access Management is used in your environment, you have to renew your user credentials and the machine credentials if the credentials expired before you perform prepare to restore operations. Use the `bpnbat` command and `-Login` option to renew your user credentials, and use the `bpnbat` command and `-LoginMachine` option to renew the machine credentials.

Specifying `-?` displays a synopsis of command usage when it is the only option on the command line.

SEE ALSO

`bmrs`

bmrepadm

NAME

bmrepadm - manage external procedures

SYNOPSIS

```
install_path\NetBackup\bin\bmrepadm [-data] -list [pattern]  
install_path\NetBackup\bin\bmrepadm [-data] -delete  
    procedureName  
install_path\NetBackup\bin\bmrepadm [-data] -extract  
    procedureName  
install_path\NetBackup\bin\bmrepadm [-data] -add fileName
```

DESCRIPTION

The `bmrepadm` command lists, adds, extracts, or deletes external procedures from the database. The `bmrepadm` command is installed and runs on the NetBackup master server that is licensed for BMR.

A procedure name (*procedureName*) must be in the form *type.os* or *name_type*.

type is one of the following strings

prediscover
preformat
prerestore
postrestore
firstboot

os is one of following strings

aix
hp
linux
sol
win

name is the name of a Bare Metal Restore client.

OPTIONS

-add *pathName*

Add the external procedure in *pathName* to the database. The last component of *pathName* must be a valid external *procedureName*.



- data
Normally `bmrepadm` manipulates an external procedure. When `-data` is specified, an arbitrary user-supplied data file is manipulated instead. This option also relaxes all of the naming convention rules for procedure and file name argument values; the names of data files can be anything except a valid external procedure name.
- delete *procedureName*
Delete the *procedureName* external procedure from the database. The *procedureName* must be a valid external procedure name.
- extract *procedureName*
Extract an external procedure from the database and write it to the current directory. The procedure name must be a valid external *procedureName*.
- list [*pattern*]
Lists entries (external procedures or user-supplied data files) in the database. Only entries that match the *pattern* are listed; if no *pattern* is specified, all entries in the database are listed. The "*" character may be used in the pattern to match any sequence of characters.

NOTES

`bmrepadm` does not validate client names (that is, you can add an external procedure for a nonexistent client).

If NetBackup Access Management is used in your environment, you have to renew your user credentials and the machine credentials if the credentials expired before you perform prepare to restore operations. Use the `bpnbat` command and `-Login` option to renew your user credentials, and use the `bpnbat` command and `-LoginMachine` option to renew the machine credentials.

Specifying `-?` displays a synopsis of command usage when it is the only option on the command line.

EXAMPLES

Example 1

To add a data file:

```
bmrepadm -data -add nameNotMatchingEPname
```

Example 2

To list the data files:

```
bmrepadm -data -list
```

Example 3



To add an external procedure that runs for all Solaris clients after the NetBackup restore phase of restoration:

```
bmrepadm -add /example/path/postrestore.sol
```

Example 4

To add an external procedure that runs before disks are formatted on a client named zanzibar:

```
bmrepadm -add ../relative/path/zanzibar_preformat
```



bmrprep

NAME

bmrprep - prepare a client for restore or discovery

SYNOPSIS

```
<install_path>\NetBackup\bin\bmrprep -restore -client
  clientName -config configurationName -srt srtName
  [-policy policyName] [-logging] [-runep] [-systemOnly]
  [-import] [-enddate enddate] [-quickformat]

<install_path>\bin\bmrprep-discover -newconfig
  configurationName -srt srtName [-client clientName
  -config configurationName] -address clientAddress
  -default defaultGateway -netmask netmask -mac
  clientMacAddress -server serverAddress -console
  consoleDeviceName -architecture architectureName
  [-gateway serverGateway] [-logging] [-runep]
```

DESCRIPTION

The `bmrprep` command prepares a Bare Metal Restore client for a restore or for a hardware discovery process. This command only runs on the Bare Metal Restore master server.

OPTIONS

- address *clientAddress*
(UNIX and Linux clients only.) IP address of the client, in dotted decimal notation. Required only for a `-discover` operation; optional if `-client` and `-config` options are specified.
- architecture *architectureName*
(UNIX and Linux clients only.) Architecture of the client to be discovered. Required only for a `-discover` operation; optional if `-client` and `-config` options are specified.
- client *clientName*
Name of the client to restore.
- config *configurationName*
Name of the configuration to use.
- console *consoleDeviceName*
(UNIX and Linux clients only.) Name of the console device to use during discovery. Required only for a `-discover` operation; optional if `-client` and `-config` options are specified or if using media boot.

-
- default *defaultGateway*
(*UNIX and Linux clients only.*) Default gateway address, in dotted decimal notation. Required only for a `-discover` operation; optional if `-client` and `-config` options are specified or if using media boot.
 - discover
(*UNIX and Linux clients only.*) Perform a hardware discovery. Cannot be used with `-restore`.
 - enddate *enddate*
Date for point-in-time restores.
The date and time format depend on your regional settings.
 - gateway *serverGateway*
(*UNIX and Linux clients only.*) Gateway to a NetBackup server, in dotted decimal notation. Required only for a `-discover` operation.
 - import
Import nonsystem volume groups. For more information about using this flag, see “Prepare to Restore Client Dialog” in the *Bare Metal Restore System Administrator's Guide*.
 - logging
Enable logging.
 - mac *clientMacAddress*
(*UNIX and Linux clients only.*) MAC address of the client. Required only for a `-discover` operation (exception: optional if the IP address will be configured during initial program load (IPL)); optional if `-client` and `-config` options are specified or if using media boot.
 - netmask *netmask*
(*UNIX and Linux clients only.*) Netmask of the client, in dotted decimal notation. Required only for a `-discover` operation; optional if `-client` and `-config` options are specified.
 - newconfig *configurationName*
(*UNIX and Linux clients only.*) Name to be given to the discovered configuration.
 - policy *policyName*
Name of the policy to be used.
 - quickformat
(*Microsoft Windows clients only.*) Quick format Windows partitions.
 - restore
Perform a normal restore. Cannot be used with `-discover`.



- runep
Run external procedures.
- server *serverAddress*
(*UNIX and Linux clients only*.) A NetBackup server address, in dotted decimal notation. Required only for a `-discover` operation; optional if `-client` and `-config` options are specified.
- srt *srtName*
Name of the shared resource tree to use.
- systemOnly
Restore system volume groups only. For more information about using this option, see “Prepare to Restore Client Dialog” in the *Bare Metal Restore System Administrator's Guide*.

NOTES

If NetBackup Access Management is used in your environment, you have to renew your user credentials and the machine credentials if the credentials expired before you perform prepare to restore operations. Use the `bpnbat` command and `-Login` option to renew your user credentials, and use the `bpnbat` command and `-LoginMachine` option to renew the machine credentials.

The format that you must use for date and time values in NetBackup commands varies according to your regional settings. To access the regional settings, double-click Regional Settings in the Windows Control Panel. For more information about regional settings, see the Microsoft documentation.

Specifying `-?` displays a synopsis of command usage when it is the only option on the command line.

SEE ALSO

`bpnbat`

bmrs

NAME

bmrs - manage resources in the Bare Metal Restore database

SYNOPSIS

```
<install_path>\NetBackup\bin\bmrs -operation delete
  -resource config -name configName -client clientName
  -resource client -name clientName -resource package
  -name packageName
  -resource srt -name srtName
  -resource discovertasklog -id idvalue
  -resource restoretasklog -id idvalue

<install_path>\NetBackup\bin\bmrs -operation complete
  -resource discovertask -client clientName -status
  numericStatus
  -resource restoretask -client clientName -status
  numericStatus

<install_path>\NetBackup\bin\bmrs -operation verify -resource
  srt -name srtName [-client clientName]

<install_path>\NetBackup\bin\bmrs -operation copy -resource
  config -name configName -client clientName
  -destination newConfigName

<install_path>\NetBackup\bin\bmrs -operation retrieve -resource
  config -client clientName -destination newConfigName
  [-enddate date] [-epochenddate eEnddate] [-policy
  policyName]

<install_path>\NetBackup\bin\bmrs -operation import -resource
  config -path bundlePath [-client clientName]
  [-destination newConfigName]

<install_path>\NetBackup\bin\bmrs -operation list -resource
  resourceName
```

DESCRIPTION

The `bmrs` command manages resources in the Bare Metal Restore database. The `bmrs` command runs on the master server.



OPTIONS

- client *clientName*
Name of the Bare Metal Restore client.
- destination *newConfigName*
Name of the destination configuration to create.
- enddate *date*
The date for point-in-time restore configurations. If both `-enddate` and `-epochenddate` are specified, `-epochenddate` takes precedence.
The date and time format depend on your regional settings.
- epochenddate *eEndDate*
The date for point-in-time restore configurations specified in the number of seconds since January 1, 1970. If both `-enddate` and `-epochenddate` are specified, `-epochenddate` takes precedence.
- id *idvalue*
Database record ID of the resource to use for this operation, either `discoverTaskLogId` or `restoreTaskLogId`.
- name *value*
Name of the resource to use for this operation: *clientName*, *configName*, *packageName*, or *srtName*.
- operation *operationName*
An operation to perform:
 - complete
 - copy
 - delete
 - import
 - list
 - retrieve
 - verify
- path *bundlePath*
Pathname to a bundle file created by the `bmrsavecfg` command.
- policy *policyName*
Name of the policy to be used.
- resource *resourceName*
A resource on which to perform the operation. The allowed resource names vary with operation specified. For `-operation list`, the following resources are supported:
 - bootserver


```

    client
    config
    discovertask
    discovertasklog
    package
    restoretask
    restoretasklog
    srt
  -status numericStatus
    A numeric completion status code, used internally by Bare Metal Restore.

```

EXAMPLES

Example 1

List the configurations in the BMR database:

```
bmrs -operation list -resource config
```

Example 2

Copy the current configuration (read-only) and create a new configuration (mynew) that you can edit for client aixp31:

```
bmrs -operation copy -resource config -name current -client aixp31
-destination mynew
```

Example 3

Delete configuration mynew for client aixp31:

```
bmrs -operation delete -resource config -name mynew -client aixp31
```

Example 4

Verify the integrity of shared resource tree aixsrt:

```
bmrs -operation verify -resource srt -name aixsrt
```

NOTES

Specifying `-?` displays a synopsis of command usage when it is the only option on the command line.

If NetBackup Access Management is used in your environment, you have to renew your user credentials and the machine credentials if the credentials expired before you perform prepare to restore operations. Use the `bpnbat` command and `-Login` option to renew your user credentials, and use the `bpnbat` command and `-LoginMachine` option to renew the machine credentials.



The format that you must use for date and time values in NetBackup commands varies according to your locale or regional settings. To access the regional settings, double-click Regional Settings in the Windows Control Panel.

SEE ALSO

bmrC

bmrstadm

NAME

bmrstadm - create and manage shared resource trees and create bootable CD images

SYNOPSIS

```
<install_path>\NetBackup\bin\bmrstadm
```

DESCRIPTION

The `bmrstadm` command launches the Create Shared Resource Tree wizard. Use the Create Shared Resource Tree wizard on a BMR boot server to do the following:

- ◆ Create a new shared resource tree.
- ◆ Create a bootable CD image that contains a copy of an existing shared resource tree.
- ◆ Install additional software into an existing shared resource tree.
- ◆ Copy an existing shared resource tree to a new location.
- ◆ Delete an existing shared resource tree.



bparchive

NAME

bparchive - This command archives files to the NetBackup server.

SYNOPSIS

```
install_path\NetBackup\bin\bparchive [-p policy] [-s schedule] [-L  
  progress_log [-en]] [-S master_server[,master_server,...]] [-t  
  policy_type] [-w [hh:mm:ss]] [-help] [-k "keyword_phrase"]  
  -f listfile | filenames
```

DESCRIPTION

bparchive processes files listed on the command line or in the file specified with the -f *listfile* option. Any file path entered can be a file or directory name. If the list of files includes a directory, bparchive archives all files and subdirectories of that directory starting at the directory itself.

By default, you are returned to the system prompt after bparchive is successfully submitted. The command works in the background and does not return completion status directly to you. Use the -w option to change this behavior so bparchive works in the foreground and returns completion status after a specified time period.

bparchive writes informative and error messages to a progress-log file if the file is created. Create the file prior to running the bparchive command and specify it with the -L *progress_log* option. If bparchive cannot archive any of the requested files or directories, use the progress log to determine the reason for the failure.

If you create an *install_path*\NetBackup\logs\bparchive\ directory with write access, bparchive creates a debug log file in this directory to use for troubleshooting.

The following restrictions apply to this command:

- ◆ To archive a file with the bparchive command, you must have permission to delete the file and the file must not be read-only. Otherwise, NetBackup saves the files but does not delete them from the disk.
- ◆ bparchive does not archive the "." or ".." directory entries, and does not archive disk-image backups.

OPTIONS

-p *policy*

Names the policy to use for the user archive. If it is not specified, the NetBackup server uses the first policy it finds that includes the client and a user archive schedule.

-
- s *schedule*
Names the schedule to use for the user archive. If it is not specified, the NetBackup server uses the first user archive schedule it finds in the policy it is using (see the -p option).
 - s *master_server*
Specifies the name of the NetBackup master server. The default is the server designated as current on the Servers tab of the **Specify NetBackup Machines** dialog. To display this dialog, start the Backup, Archive, and Restore user interface on the client and click **Specify NetBackup Machines** on the File menu.
 - t *policy_type*
Specifies one of the following numbers corresponding to the policy type. The default for Windows clients is 13, for Netware clients the default is 10, and the default for all others is 0:
 - 0 = Standard
 - 4 = Oracle
 - 6 = Informix-On-BAR
 - 7 = Sybase
 - 10 = NetWare
 - 13 = MS-Windows
 - 14 = OS/2
 - 15 = MS-SQL-Server
 - 16 = MS-Exchange-Server
 - 19 = NDMP

Note The following policy types apply only to NetBackup Enterprise Server.

- 11 = DataTools-SQL-BackTrack
- 17 = SAP
- 18 = DB2
- 20 = FlashBackup
- 21 = Split-Mirror
- 22 = AFS
- L *progress_log* [-en]
Specifies the name of an existing file in which to write progress information.
For example: c:\proglog.
The default is to not use a progress log.



Include the `-en` option to generate a log in English. The name of the log will contain the string `_en`. This option is useful to support personnel assisting in a distributed environment where differing locales may create logs of various languages.

`-w [hh:mm:ss]`

Causes NetBackup to wait for a completion status from the server before returning you to the system prompt.

You can optionally specify a wait time in hours, minutes, and seconds. The maximum wait time you can specify is 23:59:59. If the wait time expires before the archive is complete, the command exits with a timeout status. The archive, however, still completes on the server.

If you use `-w` without specifying the wait time or if you specify a value of 0, NetBackup waits indefinitely for the completion status.

`-help`

Prints a command line usage message when `-help` is the only option on the command line.

`-k keyword_phrase`

Specifies a keyword phrase that NetBackup associates with the image created by this archive operation. You can then restore the image by specifying the keyword phrase with the `-k` option on the `bprestore` command.

The keyword phrase is a textual description of the archive that is a maximum of 128 characters in length. All printable characters are permitted including space (" ") and period ("."). Enclose the phrase in double quotes ("...") or single quotes ('...').

The default keyword phrase is the null (empty) string.

`-f listfile`

Specifies a file (*listfile*) containing a list of files to be archived and can be used instead of the *filenames* option. In *listfile*, place each file path on a separate line.

The format required for the file list depends on whether the files have spaces or returns in the names.

To archive files that do not have spaces or returns in the names, use this format:

filepath

Where *filepath* is the path to the file you are archiving. For example:

`c:\Programs`

`c:\winnt`

`c:\documents\old_memos`

To archive files that have spaces or returns in the names, use this format:

filepathlen filepath

Where *filepath* is the path to the file you are archiving and *filepathlen* is the number of characters in the file path.

For example:

11 c:\Programs

8 c:\winnt

22 c:\documents\old memos

filenames

Names one or more files to be archived and can be used instead of the `-f` option.

Any files that you specify must be listed at the end, after all other options.

EXAMPLES

Example 1

To archive a single file, enter:

```
bparchive c:\usr\user1\file1
```

Example 2

To archive files listed in a file named `archive_list`, enter:

```
bparchive -f archive_list
```

Example 3

To associate the keyword phrase “Archive My Home Directory 02/02/02” to the archive of the directory `c:\home\kwc` and use a progress log named `c:\home\kwc\arch.log` enter the following:

```
bparchive -k "Archive My Home Directory 02/02/02" -L
c:\home\kwc\arch.log c:\home\kwc
```

FILES

install_path\NetBackup\logs\bparchive*.log



bpauthorize

NAME

bpauthorize - Manage the authorize.txt file on remote servers.

SYNOPSIS

```
install_path\NetBackup\bin\admincmd\bpauthorize [-M nb_server]
          [-g user_if_host] [-debug] [-verbose] [-get_privileges]
          file

install_path\NetBackup\bin\admincmd\bpauthorize [-M nb_server]
          [-debug] [-verbose] -get_authenticate file

install_path\NetBackup\bin\admincmd\bpauthorize [-M nb_server]
          [-debug] [-verbose] -set_authenticate file
```

DESCRIPTION

This command is available only on NetBackup master servers and sets up authentication files on NetBackup servers and clients according to the options that are specified on the command. This command will not longer be supported at the next major release of NetBackup after the release of NetBackup 6.0.

This command can be executed by any authorized users. For more information about NetBackup authorization, refer to "Enhanced Authorization and Authentication" in the *NetBackup System Administrator's Guide*.

OPTIONS

- debug
Issues debug messages to standard error.
- g *user_if_host*
When used with `-get_privileges`, indicates the job monitoring capabilities of the specified host:
MONITOR_OK = 0 | 1
Where 1 indicates that the host specified can use the more efficient job monitoring capabilities of NetBackup 4.5.
-g option is used internally by the Java interface (jnbSA).
- get_privileges *file*
Displays the privileges you have on the remote server.
If *file* is specified, output is written to this file. By default, output is written to standard output.

If `-verbose` is not indicated, the output would look similar to the following example:

```
1 1 1 1 0
```

The privileges appear in the following order: (`-verbose` indicated)

```
IS_SERVER = 0 | 1
```

Where 1 indicates that the local host name is in the remote machine's SERVER list in `bp.conf`.

```
IS_MEDIA_SERVER = 0 | 1
```

Where 1 indicates that the local host name is in the remote machine's MEDIA_SERVER list in `bp.conf`.

```
IS_ADMIN = 0 | 1
```

Where 1 indicates that the user is an administrator according to the `authorize.txt` file on the remote machine.

```
IS_OPERATOR = 0 | 1
```

Where 1 indicates that the user is an operator according to the `authorize.txt` file on the remote machine.

```
AUTHENTICATION_REQUIRED = 0 | 1
```

1 = Authentication to the server is required

0 = Authentication to the server is not required

Note If the server is a NetBackup version prior to 4.5, authentication required returns 1.

`-get_authorize file`

Displays the contents of the `authorize.txt` file on the remote server.

If `file` specified, output is written to this file. By default, output is written to standard output.

`-M nb_server`

Indicates the remote server to check. The default is the master server.

`-set_authorize file`

Updates the contents of the `authorize.txt` file on the remote server.

If `file` is specified, input is read from this file. By default, input is read from standard input.

To use, first write the `authorize.txt` file from a NetBackup server to a temporary file:

```
./bpauthorize -M nb_server -get_authorize
/tmp/filename.txt
```

Then, edit and save the file:

```
vi /tmp/filename.txt
```



Finally, use `-set_authorize` to update the `authorize.txt` file of the NetBackup server with the edited file:

```
./bpauthorize -M nb_server -set_authorize  
/tmp/filename.txt
```

`-verbose`

Select verbose mode to include more detailed descriptions when using `bpauthorize` with `-get_privileges` or `-get_authorize` options.

bpauthsync

NAME

bpauthsync - Synchronize authentication files on NetBackup servers and clients.

SYNOPSIS

```
install_path\NetBackup\bin\admincmd\bpauthsync [-verbose]
[-methods] [-names] [-vopie] [-methods_allow path_name]
[-methods_deny path_name] [-names_allow path_name ]
[-names_deny path_name] [-clients [client1 client2 ...
clientN] ] [-servers [server1 server2 ... serverN] ]
```

DESCRIPTION

This command is available only on NetBackup master servers and sets up authentication files on NetBackup servers and clients according to the options that are specified on the command. This command will not longer be supported at the next major release of NetBackup after the release of NetBackup 6.0.

This command can be executed by any authorized users. For more information about NetBackup authorization, refer to "Enhanced Authorization and Authentication" in the *NetBackup System Administrator's Guide*.

OPTIONS

- verbose
Issue additional messages.
- methods
Push the `methods_allow.txt` and `methods_deny.txt` files to the specified clients and servers.
- names
Push the `names_allow.txt` and `names_deny.txt` files to the specified clients and servers.
- vopie
Synchronize the VOPIE key files between the specified servers and the specified clients.

Note If none of -methods, -names, and -vopie is specified, all three are default.

- methods_allow *path_name*
Specifies the local copy of the `methods_allow.txt` file to push to the servers and clients. If this option is not included, NetBackup uses the `install_path\NetBackup\var\auth\methods_allow.txt` file.



- `-methods_deny path_name`
Specifies the local copy of the `methods_deny.txt` file to push to the servers and clients. If this option is not included, NetBackup uses the `install_path\NetBackup\var\auth\methods_deny.txt` file.
- `-names_allow path_name`
Specifies the local copy of the `names_allow.txt` file to push to the servers and clients. If this option is not included, NetBackup uses the `install_path\NetBackup\var\auth\names_allow.txt` file.
- `-names_deny path_name`
Specifies the local copy of the `names_deny.txt` file to push to the servers and clients. If this option not included, NetBackup uses the `install_path\NetBackup\var\auth\names_deny.txt` file.
- `-clients [client1 client2 ... clientN]`
Names the clients to update. If `-clients` is specified without listing any client names, all unique client names in the NetBackup catalog are updated. A client name can also be specified in this format:
name:host
Where *name* is the client name and *host* is the network host name of the client. This is useful for specifying NetBackup clients that use dynamic network addressing like DHCP.
- `-servers [server1 server2 ... serverN]`
Names the servers to update.
If `-servers` is specified but no server names are listed, all server names in the NetBackup configuration are updated.

Note The following cases also apply to using the `-clients` and `-servers` options:

If neither `-clients` nor `-servers` is used, all clients and all servers are updated.

If `-servers` is used but `-clients` is not, no clients are updated.

If `-servers` is not used but `-clients` is used along with `vopie` (either specifically or by default), the local server is updated.

If `-servers` is not used but `-clients` is used along with `-names` or `-methods`, no servers are updated.

FILES

`install_path\NetBackup\var\auth\methods.txt`

`install_path\NetBackup\var\auth\methods_allow.txt`

`install_path\NetBackup\var\auth\methods_deny.txt`



install_path\NetBackup\var\auth\names_allow.txt

install_path\NetBackup\var\auth\names_deny.txt

install_path\NetBackup\var\auth\vopie*

SEE ALSO

vopied, vopie_util



bpbackup

NAME

bpbackup - Back up files to the NetBackup server.

SYNOPSIS

```
install_path\NetBackup\bin\bpbackup [-p policy] [-s schedule] [-S  
  master_server...] [-t policy_type] [-L progress_log [-en]] [-w  
  [hh:mm:ss]] [-help] [-k "keyword_phrase"] -f listfile |  
  filenames
```

```
install_path\NetBackup\bin\bpbackup -i [-p policy] [-h hostname]  
  [-s schedule] [-S master_server...] [-t policy_type] [-L  
  progress_log [-en]] [-w [hh:mm:ss]] [-k "keyword_phrase"]
```

```
install_path\NetBackup\bin\bpbackup -dssu DSSUname
```

DESCRIPTION

bpbackup starts either of the following processes:

On clients

Using the first form of the command above, bpbackup starts a user backup that is the equivalent to what is performed by using the interface on the client. This type of backup can be started from any NetBackup client in order to back up files from that client.

The bpbackup command processes the files that you list on the command line or in the file that you specify with the -f *listfile* option. A file path can be a file or directory name. If the named files include a directory, bpbackup backs up all files and subdirectories of that directory starting at the directory itself.

On master servers

Using the second form of the command shown above, bpbackup starts an immediate-manual backup of a client. This variation requires the -i option on the bpbackup command and is available only to the administrator on the master server. It is the equivalent of starting a manual backup from the NetBackup administrator's interface. Use the -h option to specify the host.

Since progress logs are written only on clients, and since this form of the bpbackup command is run from the master server only, the -L option is undefined.

The following restrictions apply to this command:

- ◆ You must be the owner of the file or an administrator to back up a file with bpbackup.

- ◆ You can back up files and directories owned by other users if you have the necessary permissions.
- ◆ bpbackup does not back up the "." or ".." directory entries.

By default, you are returned to the system prompt after bpbackup is successfully submitted. The command works in the background and does not return completion status directly to you. The `-w` option lets you change this behavior so the command works in the foreground and returns completion status after a specified time period.

bpbackup writes informative and error messages to a progress-log file if you create the file prior to running the bpbackup command and then specify the file with the `-L progress_log` option. If bpbackup cannot back up the requested files or directories, use the progress log to determine the reason for the failure.

If you create a directory named `install_path\NetBackup\logs\bpbackup` with write access, bpbackup creates a debug log file in this directory that can be used for troubleshooting.

OPTIONS

`-p policy`

Names the policy to use for the backup.

If this option is not specified for a user backup, NetBackup uses the first policy it finds that includes the client and a user backup schedule.

The `-p` option is required for an immediate-manual backup (`-i` option).

`-i`

Starts an immediate-manual backup. This is the equivalent of starting a manual backup from the NetBackup administrator interface. You must be the administrator on the master server to use the `-i` option.

`-dssu DSSUname`

NetBackup starts an immediate running of the schedule associated with the disk staging storage unit. The `-i` option is the implied behavior and therefore is not necessary.

`-h hostname`

It names the client host on which to run the backup. If it is not specified, NetBackup runs the backup on all clients in the policy.

`-s schedule`

Names the schedule to use for the backup. If it is not specified, the NetBackup server uses the first user backup schedule it finds for the client in the policy it is using (see the `-p` option).



- s *master_server* [, *master_server*, . . .]
Specifies the name(s) of the NetBackup master server(s). The default is the server designated as current on the Servers tab of the **Specify NetBackup Machines** dialog. To display this dialog, start the Backup, Archive, and Restore user interface on the client and click **Specify NetBackup Machines** on the File menu.
- t *policy_type*
Specifies one of the following numbers corresponding to the policy type. The default for Windows clients is 13, for Netware clients the default is 10, and the default for all others is 0:
- 0 = Standard
 - 4 = Oracle
 - 6 = Informix-On-BAR
 - 7 = Sybase
 - 10 = NetWare
 - 13 = MS-Windows
 - 14 = OS/2
 - 15 = MS-SQL-Server
 - 16 = MS-Exchange-Server
 - 19 = NDMP

Note The following policy types apply only to NetBackup Enterprise Server.

- 11 = DataTools-SQL-BackTrack
 - 17 = SAP
 - 18 = DB2
 - 20 = FlashBackup
 - 21 = Split-Mirror
 - 22 = AFS
- L *progress_log* [-en]
Specifies the name of a file in which to write progress information. NetBackup creates the file if it doesn't exist.
- For example: c:\proglog
- The default is to not use a progress log.
- Include the -en option to generate a log in English. The name of the log will contain the string _en. This option is useful to support personnel assisting in a distributed environment where differing locales may create logs of various languages.

`-w [hh:mm:ss]`

Causes NetBackup to wait for a completion status from the server before returning you to the system prompt.

You can optionally specify a wait time in hours, minutes, and seconds. The maximum wait time you can specify is 23:59:59. If the wait time expires before the backup is complete, the command exits with a timeout status. The backup, however, still completes on the server.

The `bpbackup -w` option causes the shell to wait for a return code. The operating system shell can only return one return code. Therefore, if you use `-w` without specifying a wait time or you specify a value of 0, NetBackup waits indefinitely for the completion status.

It is possible to start a *manual* or *administrative* backup using `bpbackup -i` along with the `-w` function. This type of backup has the potential to start multiple jobs because it is based on policy attributes. If the manual backup starts multiple jobs, the `-w` function will still only return one return code to the shell.

If you use the `-i` with the `-w` option and more than one job begins, NetBackup waits until all of the jobs have completed before returning a status. However, because only one status code will be returned to the shell, it is unknown which jobid the status code belongs to.

If the multiple jobs are due to there being more than one client and the policy does not have Allow Multiple Data Streams selected, you can include the `-h` option to restrict the operation to one client and obtain predictable status. However, if the policy has Allow Multiple Data Streams selected and there is more than one job from the selected client, the returned status code is again, unknown.

`-help`

Prints a command line usage message when `-help` is the only option on the command line.

`-k keyword_phrase`

Specifies a keyword phrase that NetBackup associates with the image being created by this backup operation. You can then restore the image by specifying the keyword phrase with the `-k` option on the `bprestore` command.

If you use the `-i` option with `-k`, NetBackup establishes an association between the keyword phrase and the backup policy and image.

The keyword phrase is a textual description of the backup that is a maximum of 128 characters in length. All printable characters are permitted including space (" ") and period ("."). Enclose the phrase in double quotes ("...") or single quotes ('...').

The default keyword phrase is the null (empty) string.



`-f listfile`

Specifies a file (*listfile*) containing a list of files to be backed up. This option can be used instead of the *filenames* option, but cannot be used with the `-i` option. List each file on a separate line.

The format required for the file list depends on whether the files have spaces or returns in the names.

To back up files that do not have spaces or returns in the names, use this format:

filepath

Where *filepath* is the path to the file you are backing up. For example:

```
c:\Programs
```

```
c:\winnt
```

```
c:\documents\old_memos
```

To back up files that have spaces or returns in the names, use this format:

filepathlen filepath

Where *filepath* is the path to the file you are backing up and *filepathlen* is the number of characters in the file path.

For example:

```
11 c:\Programs
```

```
8 c:\winnt
```

```
22 c:\documents\old memos
```

filenames

Names one or more files to be backed up. This option can be used instead of the `-f` option, but cannot be used with the `-i` option. Any files that you specify must be listed at the end, following all other options.

EXAMPLES

Example 1

To perform a user backup of a single file, enter:

```
bpbackup c:\users\user1\file1
```

Example 2

The following command starts a user backup of the files that are listed in a file named `backup_list`.

```
bpbackup -f backup_list
```

Example 3

The following command (all on one line) starts an immediate-manual backup of the client host named `diablo`, in the policy named `cis_co`. The policy type is Standard policy and is in the configuration on the master server named `hoss`.

```
bpbackup -p cis_co -i -h diablo -S hoss -t 0
```

Example 4

The following command (all on one line) associates the keyword phrase “Backup My Home Directory 01/01/01” to the user backup of the directory `c:\home\kwc`. The progress log is:

```
bpbackup -k "Backup My Home Directory 01/01/01" -L  
c:\home\kwc\bkup.log c:\home\kwc
```

Example 5

The following command (all on one line) associates the keyword phrase “Policy Win 01/01/01” to the immediate-manual backup of the client host named `slater` in the policy named `win_nt_policy`.

```
bpbackup -k "Policy Win 01/01/01" -i -h slater -p win_nt_policy -t  
13
```

FILES

```
install_path\NetBackup\logs\bpbackup\*.log
```



bpbackupdb

NAME

bpbackupdb - Back up NetBackup image catalogs.

SYNOPSIS

```
install_path\NetBackup\bin\admincmd\bpbackupdb [{-dpath  
    disk_path}] | {-tpath tape_device_path [-m media_ID]} |  
    {-opath optical_device_path [-m media_ID]}] [-nodbpaths]  
    [-v] [path...]  
  
install_path\NetBackup\bin\admincmd\bpbackupdb [-p policy_name  
    -s sched_label]
```

DESCRIPTION

bpbackupdb initiates a backup of one or more NetBackup image catalogs specified on the bpbackupdb command line. bpbackupdb also backs up the default set of NetBackup catalogs, unless the command line contains -nodbpaths. If the command line specifies a destination, the backup is stored there.

Otherwise, the backup is stored at the default location for backups of the NetBackup internal databases, which are called catalogs.

You can specify the default set of catalogs and the backup destination:

- ◆ The default paths to the NetBackup image catalogs are part of the NetBackup configuration. bpbackupdb uses the set of configured NetBackup catalog paths as the default value for the path option.
- ◆ The NetBackup configuration includes two destinations (media IDs or disk pathnames) for NetBackup catalog backups. bpbackupdb uses the less-recently used of the two destinations as its default value for the backup destination.

The *NetBackup System Administrator's Guide* explains how to configure and display these values.

You must have administrator privileges to execute this command.

Only one copy of bpbackupdb can run at a time. The bpbackupdb command fails if it determines that a NetBackup catalog backup is already running. If bpbackupdb fails because other backups are in progress, retry when no other NetBackup activity is occurring.

If bpbackupdb fails with the message “cannot find Internet service bpcd/tcp,” then the service/protocol pair bpcd, tcp is not among the set of services defined on the local system. On Windows, look for a bpcd/tcp entry in the `install_path\system32\drivers\etc\services` file.

The *NetBackup System Administrator's Guide* provides additional information on backing up NetBackup catalogs. The NetBackup utility `bprecover` recovers catalogs that `bpbackupdb` has backed up. The NetBackup troubleshooting guide (Windows version) provides information on restoring the NetBackup catalogs if a disaster recovery is required.

OPTIONS

You can either specify a list of NetBackup image catalogs with the following options or default to the catalogs specified in the NetBackup configuration:

`-dpath` *disk_path*

`-tpath` *tape_device_path*

`-opath` *optical_device_path*

`-tpath` specifies a tape raw device path as the destination for the backup.

`-opath` specifies an optical raw device path as the destination for the backup.

`-dpath` Specifies a raw disk path as the destination for the backup.

If the media for the catalog backup is non-robotic, a mount request occurs and the catalog backup waits until the mount request is either granted or denied. The `MEDIA_MOUNT_TIMEOUT` attribute does not apply to this request.

The NetBackup Device Manager service and NetBackup Volume Manager service need not be active when you use the `-dpath` option.

If `-tpath` or `-opath` is used, the device name can be an NDMP device name. The syntax for an NDMP device name is *client:drivename*. An NDMP device name can contain `/` but it cannot contain `/ndmp`.

`-m` *media_ID*

This option specifies the media ID for the NetBackup database backup. This option is meaningful when either `-tpath` or `-opath` is used. Media Manager uses the media ID for removable media to verify that the correct media is mounted. The media ID string length is between one and six characters and the string can be either uppercase or lowercase.

`-help`

Prints a command line usage message when `-help` is the only option on the command line.



`-nodbpaths`

Do not back up the configured NetBackup catalogs. If this option is present, you must specify at least one catalog path on the command line. If this option is absent, bpbackupdb backs up the catalogs configured by NetBackup for catalog backups, as well as any catalog listed by the *path* option.

`-p policy_name -s sched_label`

The `-p` and `-s` options are used to launch a policy-based, hot catalog backup.

`-v`

Selects verbose mode. This option causes bpbackupdb to log additional information for debugging purposes. The information goes into the NetBackup administration daily debug log. This option is meaningful only when NetBackup has debug logging enabled (*install_path\netbackup\logs\admin* directory defined).

path...

Back up these NetBackup catalogs. This is a list of absolute pathnames.

To back up a NetBackup catalog on the master server, specify the catalog backup path as an absolute pathname, for instance,

install_path\Volmgr\database.

If the backup path contains special characters, such as blank(" "), the pathname must be enclosed in quotes (""). Use a blank to separate two pathnames, not a comma. The complete list of pathnames to be backed up must also be enclosed in quotes. See Example 3.

To back up a NetBackup catalog on a media server other than the master server (this configuration is supported only by NetBackup Enterprise Server), specify the catalog backup path as *hostname:pathname*. For instance, *hostname:install_path\Volmgr\database*.

There must be at least one path specified if `-nodbpaths` is present.

RETURN VALUES

An exit status of 0 means that the backup ran successfully.

Any exit status other than 0 means that an error occurred.

EXAMPLES

Examples 1 and 2 assume that NetBackup has been configured so that bpbackupdb can use the default values for catalogs and destination. Example 3 uses the *path...* option to specify the catalogs to back up.

Example 1

The following example backs up the NetBackup catalogs

bpbakdb

If the backup succeeds, the NetBackup mail administrator receives an email that contains the details of the backup.

If the backup fails, the NetBackup mail administrator receives an email that contains the reason for the failure.

Example 2

The following example backs up the NetBackup catalogs to the tape device `\\.\Tape1`.

```
bpbakdb -tpath \\.\Tape1
```

Example 3

This example backs up the catalogs specified in the `path...` option in addition to the configured NetBackup catalogs.

```
bpbakdb "C:\catalog A" "C:\catalog B"
```

MESSAGES

If `bpbakdb` succeeds, it logs one of the following messages:

NB database backup to path *destination* SUCCEEDED

NB database backup to media id *destination* SUCCEEDED

NB database backup SUCCEEDED

If `bpbakdb` fails, it logs one of the following messages:

NB database backup to path *destination* FAILED

NB database backup to media id *destination* FAILED

NB database backup FAILED

`bpbakdb` also sends mail to the NetBackup administrator reporting the results of the backup.

FILES

```
install_path\NetBackup\db\*
```

```
install_path\NetBackup\logs\admin\log.mmddyy
```

```
install_path\Volmgr\database\*
```

SEE ALSO

`bprecover`



bpcatarc

NAME

bpcatarc - Back up NetBackup catalog.

SYNOPSIS

```
install_path\NetBackup\bin\admincmd\bpcatarc [-version] [-help]
```

DESCRIPTION

bpcatarc processes the output of bpcatlist to back up the selected catalog image .f files and update their image file's catarc field with this backup job ID.

This command can be executed by any authorized users. For more information about NetBackup authorization, refer to "Enhanced Authorization and Authentication" in the *NetBackup System Administrator's Guide*.

OPTIONS

- version
Display the bpcatarc version and exit.
- help
Display the help text.

SEE ALSO

bpcatlist, bpcatres, bpcatrm

bpcatlist

NAME

bpcatlist - List selected parts of the NetBackup catalog.

SYNOPSIS

```
install_path\NetBackup\bin\admincmd\bpcatlist [-server
  server_name] [-client client_name] [-since [ctime |
  [-since-days nnn | -since-weeks nnn | -since-months nnn
  | -before-days nnn | -before-weeks nnn | -before-months
  nnn]] [-before [ctime | [-since-days nnn | -since-weeks
  nnn | -since-months nnn | -before-days nnn |
  -before-weeks nnn | -before-months nnn]] [-date ctime]
  [-policy policy_name] [-sched sched_name] [-id backup_id]
  [-catarc catarc_id] [-version] [-help] [-online |
  -offline]
```

DESCRIPTION

bpcatlist is the starting point for all catalog archiving operations. Use bpcatlist to select the specific parts of the NetBackup catalog with which you wish to work. All files-file (also called image .f files), the largest files in a NetBackup catalog, selected for bpcatarc, bpcatres, or bpcatrm, are first selected with bpcatlist. The output of bpcatlist is piped to the action you wish to perform.

OPTIONS

- server *server_name*
Indicates the name of the NetBackup server. Default: *server_name* is the first SERVER name listed in the bp.conf file.
- client *client_name*
Create a list of backup images for *client_name*. Default: *client_name* is CLIENT_NAME in bp.conf or the current host name.
To select all clients, use -client all
- since [*ctime* | [-since-days *nnn* | -since-weeks *nnn* |
-since-months *nnn* | -before-days *nnn* | -before-weeks *nnn* |
-before-months *nnn*]]
List backup images since the specified time expressed in *ctime* (for example, Fri Sep 13 00:00:00 2004).
If no year is specified, bpcatlist uses the current year by default.
The following command lists all images after December 31, 2004:
bpcatlist -since 2004



Additional examples are found in the following “Examples” section.

`-before [ctime | [-since-days nnn | -since-weeks nnn |
-since-months nnn | -before-days nnn | -before-weeks
nnn | -before-months nnn]`

List backup images before the specified time expressed in *ctime* (for example, Fri Sep 13 00:00:00 2004). If no year is specified, `bpcatlist` uses the current year by default. For example:

`-date ctime`

List of backup images for the specified date expressed in *ctime* (for example, Fri Sep 13 00:00:00 2004). If no date is specified, `bpcatlist` uses the current date by default.

Additional examples are found in the following “Examples” section.

`-catarc catarc_id`

List the files-file that were archived with the specified *catarc_id*. For example:

`-catarc 1022754972`

`-policy policy_name`

List the backups created by the indicated *policy_name* for the specified client.

`-sched sched_name`

List the backups created following *schedule_name* for the specified client.

`-id backup_id`

Create a list for the specified *backup_id*.

`-online`

List only files-file that are online.

`-offline`

List only files-file that are offline.

`-version`

Display the `bpcatlist` version and exit.

`-help`

Display the help text.

EXAMPLES

Dates are displayed and must be specified in `ctime()` date format. Displayed dates may be cut and specified without modification.

To list a backup for a specific date and time, specify:

```
bpcatlist -date Mon Sep 16 14:16:28 2004
```



(When no year is specified, the current year is used by default.)

To list all backups between two dates of the current year, specify:

```
bpcatlist -before Mon Sep 10 00:00:00 2004 -since Fri Oct 4  
00:00:00 2004
```

To list backups that are two to three months old, specify:

```
bpcatlist -before-months 2 -since-months 3
```

`-since` and `-before` use the following equivalent values:

`-since-days nnn`

`-since-weeks nnn`

`-since-months nnn`

`-before-days nnn`

`-before-weeks nnn`

`-before-months nnn`

For example, the following setting: `-since-days 14`

is equivalent to: `-since-weeks 2`

SEE ALSO

`bpcatarc`, `bpcatres`, `bpcatrm`



bpcatres

NAME

bpcatres - Restore NetBackup catalog.

SYNOPSIS

```
install_path\NetBackup\bin\admincmd\bpcatres [-version] [-help]
```

DESCRIPTION

bpcatres processes the output of bpcatlist to restore the selected catalog image .f files.

This command can be executed by any authorized users. For more information about NetBackup authorization, refer to "Enhanced Authorization and Authentication" in the *NetBackup System Administrator's Guide*.

OPTIONS

-version
Display the bpcatres version and exit.

-help
Display the help text.

SEE ALSO

bpcatarc, bpcatlist, bpcatrm

bpcatrm

NAME

bpcatrm - Delete NetBackup catalog

SYNOPSIS

```
install_path\NetBackup\bin\admincmd\bpcatrm [-version] [-help]
```

DESCRIPTION

bpcatrm processes the output of bpcatlist or bpcatarc to delete the selected catalog image .f files which have a valid catarc id in their image file.

This command can be executed by any authorized users. For more information about NetBackup authorization, refer to "Enhanced Authorization and Authentication" in the *NetBackup System Administrator's Guide*.

OPTIONS

-version	Display the bpcatrm version and exit.
-help	Display the help text.

SEE ALSO

bpcatarc, bpcatlist, bpcatres



bpcd

NAME

bpcd - NetBackup client daemon. Enables NetBackup clients and servers to accept requests from NetBackup servers.

SYNOPSIS

```
install_path\NetBackup\bin\bpcd.exe [-standalone] [-debug]  
[-portnum number] [-keyfile] [-restrict_if host_or_ip]
```

DESCRIPTION

bpcd is communications daemon that is activated by the NetBackup Client Service `bpinetd(1M)` on Windows systems. Typically, **bpcd** is activated by `inetd(1M)` on UNIX systems.

The **bpcd** daemon accepts requests from NetBackup servers. Requests include initiating backup and restore jobs and getting and setting NetBackup configuration parameters.

When you install NetBackup on a Windows client, the installation process adds entries for **bpcd** to `%SystemRoot%\system32\drivers\etc\services`.

The `services` entry looks like this:

```
bpcd 13782/tcp          bpcd
```

The `inetd.conf` entry on UNIX looks like this:

```
bpcd stream tcp      nowait  root    /usr/obj/etcpfiles/netbackup/bin/bpcd bpcd
```

OPTIONS

`-standalone`

Available only on UNIX clients and specifies that **bpcd** will run continuously rather than being started by `inetd`.

`-debug`

Available only on UNIX clients and implies `-standalone`. This option prevents **bpcd** from forking and does not disconnect it from standard input, output, and error.

`-portnum` *number*

Available only on UNIX clients and implies `-standalone`. Specifies the port number where **bpcd** listens for requests. The default is the **bpcd** entry in: `/etc/services`.

`-restrict_if host_or_ip`

Available only on UNIX clients and implies `-standalone`. Specifies the local network interface that `bpcd` will accept connections from. Default is to accept connections from all local network interfaces. You can specify either a host name or an IP address.

`-keyfile`

Available only on UNIX clients and implies `"-standalone"`. When specified, you will be prompted for the NetBackup key file pass phrase that will allow `bpcd` to access the NetBackup encryption key file. See the section "Additional Key File Security (UNIX clients only)" in the *VERITAS NetBackup Encryption System Administrator's Guide* for additional information.

SEE ALSO

`bpclient`, `bpkeyfile`



bpchangeprimary

NAME

bpchangeprimary - Promote a copy of a backup to be the primary copy.

SYNOPSIS

```
install_path\NetBackup\bin\admincmd\bpchangeprimary -copy  
  number | -pool volume_pool | -group volume_group [-id  
  backup_id] [-M master_server]
```

```
install_path\NetBackup\bin\admincmd\bpchangeprimary -copy  
  number | -pool volume_pool | -group volume_group [-sl  
  schedule_name] [-pn policy_name] [-st schedule_type] [-pt  
  policy_type] [-cl client_name] [-kw keyword] [-sd date] [-ed  
  date] [-M master_server]
```

DESCRIPTION

The `bpchangeprimary` command lets you change which copy is the primary copy for a set of backup images. You can choose the copy to be promoted to primary by specifying a copy number, volume pool, or volume group. You can apply several optional criteria to identify the backup images to be affected.

The primary copy of a backup is the copy used by a restore process. Ensure that the primary copy is accessible for restore. For instance, if one copy of a backup has been sent offsite, change the primary copy to be the copy that remains on site.

The `bpchangeprimary` command finds all backups that match the specified criteria, and for those images found, updates their copy number to primary.

If you use the `-copy` option, the specified copy number becomes the primary copy. If you use the `-group` or `-pool` option, the process identifies all media IDs that belong to the specified volume group or volume pool and changes to primary, all copies that reside on those media.

This command can be executed by any authorized users. For more information about NetBackup authorization, refer to "Enhanced Authorization and Authentication" in the *NetBackup System Administrator's Guide*.

OPTIONS

One of the following three options is required; using one precludes use of the others.

`-copy number`
Specifies that *copy_number* is the number of the backup copy you want to promote to primary.

- pool *volume_pool*
Specifies that the copy that is on media belonging to *volume_pool* should be promoted to primary.
- group *volume_group*
Specifies that the copy that is on media belonging to *volume_group* should be promoted to primary.

Combinations of one or more of the following criteria can be applied to specify which copies will be made primary. None of the following options are required.

- cl *client_name*
Specifies that backups of *client_name* will be affected. This name must be as it appears in the NetBackup catalog. For those backup images, the copy that corresponds to the specified -pool, -group, or -copy option will be promoted to primary. The default is all clients.
- sd *date*
- ed *date*
Specifies the start date (-sd) or end date (-ed) of the backup images for which the primary copy will be changed.
The default start date is January 1, 1970, effectively causing a search for all images. If you run bpchangeprimary without using the -sd option, you are prompted for confirmation that you want to change the primary copy for backups created after January 1, 1970.
The format of date depends on the user's locale setting. See the NOTES section for more information. For the C locale, the date syntax is as follows:
$$\text{mm/dd/yy [hh[:mm[:ss]]]}$$

The default end date is the current date and time. The valid range of dates is from 01/01/1970 00:00:00 to 01/19/2038 03:14:07.
- id *backup_id*
Specifies the backup id of the backup image for which the primary copy will be changed. For that backup image, the copy that corresponds to the specified -pool, -group, or -copy option will be changed.
If you specify this option, you can specify an alternate master server (using the -M option). You must specify one of -pool, -group, or -copy. No other options are used with -id.
- kw *keyword*
Specifies a keyword phrase for NetBackup to use when identifying backup images for which the primary copy will be changed.



-M *master_server*

Specifies that backups belonging to *master_server* will be affected. For those backup images, the copy that corresponds to the specified **-pool**, **-group**, or **-copy** option will be promoted to primary.

If you use this option, then any other options you specify determine which backup images on the specified master server will be affected. The *master_server* must allow access by the system issuing the **bpchangeprimary** command. The default is the master server for the system running the **bpchangeprimary** command.

-pn *policy_name*

Specifies the name of the backup policy of the backups for which the primary copy will be changed. The default is all policies.

-pt *policy_type*

Specifies the type of the backup policies of the backups for which the primary copy will be changed. The default is all policy types.

The *policy_type* is one of the following character strings:

Informix-On-BAR

MS-Exchange-Server

MS-SQL-Server

MS-Windows

NetWare

Oracle

OS/2

Standard

Sybase

NDMP

The following policy types apply only to NetBackup Enterprise Server.

AFS

Auspex-FastBackup

DataTools-SQL-BackTrack

DB2

FlashBackup

SAP

Split-Mirror

-sl *schedule_name*

Specifies the *schedule name* (label) for the selection of the backup images for which the primary copy will be changed.

By default, the **bpchangeprimary** command uses all schedules.



`-st` *schedule_type*

Specifies the schedule type for the selection of the backup images for which the primary copy will be changed.

By default, the `bpchangeprimary` command uses any schedule type. Valid vales are as follows:

FULL (full backup)

INCR (differential-incremental backup)

CINC (cumulative-incremental backup)

UBAK (user backup)

UARC (user archive)

NOT_ARCHIVE (all backups except user archive)

NOTES

The format that you must use for date and time values in NetBackup commands varies according to your locale setting.

If you are uncertain of the NetBackup command requirements for your locale, enter the command with the `-help` option and check the USAGE. For example, the following is the output for the `-sd` and `-ed` options:

```
[-sd mm/dd/yyyy HH:MM:SS] [-ed mm/dd/yyyy HH:MM:SS]
```

Notice the month/day/year and hours:minutes:seconds requirements. These are for a locale setting of C and can be different for other locales.

EXAMPLES

Example 1

The following command will promote all copies on media belonging to the volume pool, SUN, created after 08/01/2003 to be the primary copy.

```
bpchangeprimary -pool SUN -sd 08/01/2003
```

Example 2

The following command will promote copy 2 of all backups of client, oak, created after 01/01/2003 to be the primary copy:

```
bpchangeprimary -copy 2 -cl oak -sd 01/01/2003
```

Example 3

The following command will promote copy 4 of all backups that were created by the backup policy, Offsite, after 08/01/2003 to be the primary copy:

```
bpchangeprimary -copy 4 -pn Offsite -sd 08/01/2003
```



bpclient

NAME

bpclient - Manage client entries on a master server.

SYNOPSIS

```
install_path\NetBackup\bin\admincmd\bpclient [-All] [-M  
  master_server] [-l|-L|-H]  
  
install_path\NetBackup\bin\admincmd\bpclient -client client_name  
  [-M master_server] [-l|-L|-H]  
  
install_path\NetBackup\bin\admincmd\bpclient -client client_name  
  [-M master_server] {-add | -update} {[-dynamic_address  
  0|1] [-free_browse 0|1|2] [-list_restore 0|1|2|3]  
  [-max_jobs [1-99] [-current_host host_name  
  [-current_ip_addr ip_address] [-current_host host_name  
  [:ip_address] | :ip_address [-WOFB_enabled 0|1] [-WOFB_FIM  
  0|1] [-WOFB_usage 0|1] [-WOFB_error 0|1]  
  [-connect_options 0|1|2 0|1|2 0|1|2|3]]}  
  
install_path\NetBackup\bin\admincmd\bpclient -client client_name  
  [-M master_server] -delete
```

DESCRIPTION

The `bpclient` command describes how a NetBackup server connects to NetBackup clients.

OPTIONS

-add
Add a new client entry.

-All
List all client entries. Only client entries added explicitly using the `bpclient` command are displayed.

-client *client_name*
Where *client_name* is the name of the client to list or update.

-connect_options 0|1|2 0|1|2 0|1|2|3
First set of arguments, Ports, represent the following:
0 = Reserved Port: Use a reserved port number



1 = Non-reserved Port: Connect to the client's `bpclient` using a non-reserved port number. If you select this option, enable **Allow Nonreserved Ports** for the selected client. (See the Universal Settings dialog under **Host Properties > Clients**.)

2 = Use Default: Use Default is the default. Use the value defined by the `DEFAULT_CONNECT_OPTIONS` configuration entry on the server.

The second set of arguments, BPCD Connect Back, represent the following:

0 = Random Port: NetBackup randomly chooses a free port in the allowed range to perform the traditional connect-back method.

1 = VNETD port: This method requires no connect-back. The VERITAS Network Daemon (`vnetd`) was designed to enhance firewall efficiency with NetBackup during server-to-server and server-to-client communications.

2 = Use Default: This is the default option. Use the value defined by the `DEFAULT_CONNECT_OPTIONS` configuration entry on the server.

The third set of arguments, Daemon Connection Port, represent the following:

0 = Automatic: This option means VNETD is used if possible, otherwise Legacy will be used.

1 = Use the VNETD port.

2 = Use the Legacy port number.

3 = Use Default: This is the default option. Use the value defined by the `DEFAULT_CONNECT_OPTIONS` configuration entry on the server.

NOTE: If the `vnetd` Daemon Connection Port is used, the BPCD Connect Back setting is not applicable. If the `vnetd` Daemon Connection Port is used, non-reserved ports are always used regardless of the value of the Ports setting.

`-current_host host_name[:ip_address] | :ip_address`

The host name/IP address of the client. This is only meaningful in the situation where the option `-dynamic_address 1` is used. Usually, you do not have to enter a `-current_host` value. The client normally contacts the master server to set the host name/IP address.

`-delete`

Delete an existing client entry.

`-dynamic_address 0|1`

0 = The client name is assumed to be a valid host name for the client (default).



1 = The client is assumed to have a dynamic host name (such as DHCP).

`-free_browse 0|1|2`

`-free_browse` is a method that allows users to get around the checking that the server does when browsing images (owner/group). By default, normal users are not allowed to browse into scheduled backups on Windows.

0 = Allow

1 = Deny

2 = Use

By default, both the client and the server should be set up to 0 (allow). In order to free browsing to occur, either the client or the server must be setup to 2 (use) and neither can be setup for 1 (deny).

`-H`

List host specific client information.

`-l`

Lists limited client information.

`-L`

List all client information in a VERBOSE format.

`-M master_server`

Name of the master server containing the client entries. The first server name in the local configuration is the default master server.

`-list_restore 0|1|2|3`

`-list_restore` can be set up on the server to disallow list and/or restore requests from a particular client. The value that is found in the client database overrides the `bp.conf` file setting.

0 = Not specified (default)

1 = Allow both list and restore requests

2 = Allow list requests only

3 = Deny both list and restore requests

`-max_jobs [1-99]`

Specify the maximum number of jobs allowed to run concurrently on this client, up to 99. This item can be configured in the NetBackup-Java Administration Console and is labeled "Maximum data streams". To perform this function using this GUI, select the following: Host Properties > Master Servers > (double-click the master server name) > Client Attributes > Then select the client.

`-update`

Update an existing client entry.

- WOFB_enabled 0|1
0 = disable Windows Open File Backup for the client specified in *client_name*.
1 = enable Windows Open File Backup for the client specified in *client_name*.
- WOFB_FIM 0|1
0 = Use Volume Snapshot Provider (VSP) as the snapshot provider for the Windows Open File Backups
1 = Use Microsoft's Volume Shadow Service (VSS) as the snapshot provider for Windows Open File Backups
- WOFB_usage 0|1
0 = Individual Drive Snapshot. The Individual Drive Snapshot property specifies that the snapshot should be of an individual drive. When this property is enabled, snapshot creation and file backup is done sequentially on a per volume basis.
1 = Global Drive Snapshot. The Global Drive Snapshot property specifies that the snapshot be of a global drive, where all the volumes that require snapshots for the backup job (or stream group for multi-streamed backups) are taken at one time.
- WOFB_error 0|1
0=Abort Backup on Error. The Abort Backup on Error property specifies that a backup aborts if it fails for a snapshot-related issue after the snapshot is created and while the backup is using the snapshot to back up open or active files on the file system.
1=Disable Snapshot and Continue. The Disable Snapshot and Continue property specifies that if the snapshot becomes invalid during a backup, the volume snapshots for the backup are destroyed. The backup continues with Windows Open File Backups disabled.

NOTES

This command can be executed by any authorized users. For more information about NetBackup authorization, refer to "Enhanced Authorization and Authentication" in the *NetBackup System Administrator's Guide*.



bpcIntcmd

NAME

bpcIntcmd - Tests the functionality of a NetBackup system.

SYNOPSIS

```
install_path\bin\bpcIntcmd[-check_vxss] [-check_vxss_with_host  
  hostname] [-gethostname] [-get_bpx_port hostname]  
  [-get_remote_host_version hostname] [-hn hostname]  
  [-ip ip_address] [-is_local_host hostname] [-pn] [-self]  
  [-server NBU_master] [-sv]
```

DESCRIPTION

The bpcIntcmd command tests functionality and displays information about a NetBackup system.

You must have administrative privileges to execute this command.

OPTIONS

- check_vxss
Check if NBAC is configured (or not configured) correctly on the local system.
- check_vxss_with_host *hostname*
Check if NBAC is configured (or not configured) correctly on the local system to connect to the remote host, *hostname*.
- gethostname
Returns the host name that NetBackup uses on the local system.
- get_pbx_port *hostname*
Displays the number that *hostname* considers the PBX port number. If *hostname* is not specified, the option displays the number that the local host considers the PBX port number.
- get_remote_host_version *hostname*
Returns the version of NetBackup that is running on the system identified in the *hostname* variable.
- hn *hostname*
Returns the host name, alias, and IP address information about the host name identified in the *hostname* variable.

- ip *ip_address*
Returns the host name, alias, and IP address information about IP address, *ipaddress*.
- is_local_host *hostname*
Check if *hostname* is a network interface on the local system.
- pn
Returns what the master server considers your host name (or peer name) to be.
- self
Returns information about the local system.
- server *NBU_master*
Returns the host name information of the NetBackup master server.
- sv
Returns the NetBackup version of the master server.

SEE ALSO

bpnbat



bpcompatd

NAME

bpcompatd - A NetBackup compatibility service.

SYNOPSIS

```
install_path\NetBackup\bin\bpcompatd [-max_time seconds]
    [-console] [-debug]

install_path\NetBackup\bin\bpcompatd -help [-debug]

install_path\NetBackup\bin\bpcompatd -alive [-debug]

install_path\NetBackup\bin\bpcompatd -terminate [-debug]

install_path\NetBackup\bin\bpcompatd -bpcd_connect clientname
    [-debug]

install_path\NetBackup\bin\bpcompatd -vmd_connect hostname
    [-debug]

install_path\NetBackup\bin\bpcompatd -robot_connect hostname
    robot_type [-debug]

install_path\NetBackup\bin\bpcompatd -bpjobd_connect hostname
    [-debug]

install_path\NetBackup\bin\bpcompatd -bpdbm_connect hostname
    [-debug]

install_path\NetBackup\bin\bpcompatd -bprd_connect hostname
    [-debug]
```

DESCRIPTION

This command is used internally by new NetBackup services to communicate with legacy NetBackup services.

OPTIONS

-help
Display options available with the bpcompatd command.

-alive
Test the local bpcompatd daemon/service to see if it is running.

-terminate
Terminate the local bpcompatd daemon/service if it is running.

- bpcd_connect *clientname*
Test a bpcd connection to *clientname* using the bpcompatd command.
- vmd_connect *hostname*
Test a vmd connection to *hostname* using the bpcompatd command.
- robot_connect *hostname*
Test a robot daemon connection to *hostname* for robot type <robot_type> via bpcompatd.
- bpjobd_connect *hostname*
Test a bpjobd connection to *hostname* using the bpcompatd command.
- bpdbm_connect *hostname*
Test a bpdbm connection to *hostname* using the bpcompatd command.
- bprd_connect *hostname*
Test a bprd connection to *hostname* using the bpcompatd command.

If you specify `-debug`, information that is normally logged in the debug log file of bpcompatd will be written to standard error.

If you do not specify one of the above options, bpcompatd runs as a daemon (for UNIX/Linux) or a service (for Windows). The following options are available when you run bpcompatd as a daemon/service:

- max_time seconds
The maximum time bpcompatd waits for a new connection before performing housekeeping tasks. The default is 60 seconds for UNIX/Linux and 1 second for Windows.
- console
This option is applicable to Windows only. Normally, bpcompatd is run through the Service Manager. You can use the `-console` option to run the bpcompatd service from the command line.
- debug
If you specify `-debug`, information that is normally logged in the debug log file of bpcompatd will be written to standard error. For Windows, this option implies the `-console` option. For UNIX/Linux, this option prevents the bpcompatd service from running in the background.



bpconfig

NAME

bpconfig - Modify or display the global configuration attributes for NetBackup.

SYNOPSIS

```
install_path\NetBackup\bin\admincmd\bpconfig [-cd seconds  
86400...2147472000 or 0 (Compress OFF)] [-ha hours 1...32767]  
[-kl days 1...32767 or 0 (Keep Logs OFF)] [-kt days 1...32767  
or 0 (TIR Info OFF)] [-ma [address]] [-mdtm drives] [-mj  
number 1...32767] [-period hours 1...24] [-prep hours] [-to  
seconds] [-max_copies 2...10] [cleanup_int hours] [-tries  
times 1...32767] [-wi minutes 1...1440] [-v] [-M  
master_server, ...]  
  
install_path\NetBackup\bin\admincmd\bpconfig [-L | -l | -U [-v]  
[-M master_server, ...]]
```

DESCRIPTION

The `bpconfig` command modifies or displays the NetBackup global configuration attributes. These attributes affect operations for all policies and clients. With the exception of the NetBackup administrator's email address, the default values for these attributes should be adequate for most installations. The section on NetBackup Global Attributes, in the *NetBackup System Administrator's Guide* describes the implications of setting the attribute values.

- ◆ The first form of `bpconfig` modifies one or more of the NetBackup global configuration attributes. At least one option that changes a NetBackup global configuration attribute must be on the command line.
- ◆ The second form of `bpconfig` displays the current settings of the NetBackup global configuration attributes. See the section DISPLAY FORMATS for more detail on the displays.

Errors are sent to `stderr`. A log of the command's activity is sent to the NetBackup admin log file for the current day.

This command can be executed by authorized users. For more information about NetBackup authorization, refer to "Enhanced Authorization and Authentication" in the *NetBackup System Administrator's Guide*.

OPTIONS

`-cd seconds 86400...2147472000 or 0 (Compress OFF)`

The number of seconds that is the Compress-image-Database time interval. When *seconds* is a positive integer, an image will be compressed after this number of seconds has elapsed since the creation of the image. On Windows, NetBackup uses NTFS file compression only if the database is in an NTFS partition. Otherwise, it is not compressed.

The effect of compression is that less disk space is needed for the image database. However, when browsing the image database for restoring, the images need to be decompressed before they can be searched. While browsing for a restore, the compressed images will not be found. To decompress the images, you must use `bpimage (1M)`.

The default is 0, which means no compression is done.

`-cleanup_int hours`

This option enables you to run cleanup on a database image and in the background so jobs can run at the same time. You can configure the interval in which the database image cleanup will run.

`-mdtm drives`

The maximum drives for this master, the maximum number of drives for this master and remote media server cluster that the master server should consider available when scheduling backups. An appropriate value for this attribute is the physical number of drives, counting shared drives only once, in the master and media server cluster. *drives* must be less than or equal to the number permitted by the version of NetBackup that is installed on the server (that is, 2 for NetBackup Server and unlimited for NetBackup Enterprise Server). *drives* is a non-negative integer. The default is 0 (unlimited).

`-ha hours 1...32767`

The number of *hours* ago that is the beginning of the time range for selecting NetBackup report entries. The end of the time range is the current time. For instance, if *hours ago* is 24 and if you request a Backup Status report at 10:00 a.m., the report includes all backups run from 10:00 a.m. yesterday until 10:00 a.m. today. This value is used to calculate the time range for general reports and media reports. General reports include Backup Status, Client Backups, Problems, and All Log Entries. Media reports include Media List, Media Summary, Media Contents, Images on Media, and Media Log Entries. *Hours Ago* is a positive integer. The default value is 24 hours.

`-kl days 1...32767 or 0 (Keep Logs OFF)`

The number of days to keep logs. This determines how long the NetBackup master server keeps its Error database and debug logs. NetBackup derives its Backup Status, Problems, All Log Entries, and



Media Log Entries reports from the Error database, so this value limits the period that these reports can cover. The default is 28 days. A 0 turns logs off.

Note This attribute has no effect on remote media servers or clients (remote media servers apply only to NetBackup Enterprise Server).

-kt or 0 (TIR Info OFF)

The number of days to Keep True-image-recovery (TIR) data. This determines how long to keep TIR information for those policies that have specified that TIR information is to be collected. The default is 1 day.

-L

The list type is long. See the section DISPLAY FORMATS for more detail.

-l

The list type is short. This is the default if the command line has no list-type option (for instance, if you enter "bpconfig" and a carriage return). See the section DISPLAY FORMATS for more detail.

-M *master_server*,...

A list of master servers. This is a comma-separated list of hostnames. If this option is present, the command is run on each of the master servers in this list. The master servers must allow access by the system issuing the command. If an error occurs for any master server, processing stops at that point in the list. The default is the master server for the system where the command is entered.

-ma [*address*]

The mail address for the NetBackup administrator. This is the email address to which NetBackup sends notification of failed automatic backups, administrator-directed manual backup operations, and automatic database backups. The default is NULL (no email address).

If no address is provided, the current setting of the Admin Mail Address is cleared. This means that notification no longer will be sent by email to the NetBackup administrator.

-max_copies *2...10*

Specify the maximum number of copies per backup. Copies can range from between 2 and 10. The default is 2.

-mhto *seconds*

The multihosted-media-mount timeout, the length of time, in seconds, that NetBackup waits for a shared medium to be mounted, positioned, and become ready on backups and restores. Use this timeout to eliminate excessive waits when a shared medium is being used by another server. The default is 0, which means no timeout (unlimited wait time).

-
- `-mj number 1...32767`
Specifies the maximum jobs per client. This is the maximum number of jobs that a client may perform concurrently. `number` must be a positive integer. The default is 1.
- `-period hours 1...24`
The time interval associated with the configured number of tries for a backup (see `-tries`). This is the period, in hours, during which NetBackup will attempt a backup job for a client/policy/schedule combination for as many tries as configured. `hours` must be a positive integer. The default is 12 hours.

Note This attribute does not apply to user-directed backups and archives.

- `-prep hours`
The preprocessing interval. This is the minimum time in hours between client queries to discover new paths if NetBackup is using auto-discover-streaming mode. For additional information, see the “Setting the Preprocess Interval for Auto Discovery” section in the topic on File-List Directives for Multiple Data Streams in the *NetBackup System Administrator’s Guide*.
The default Preprocessing Interval value is 4 hours. If the preprocessing interval is changed, it can be changed back to the default by specifying `-prep -1`.
The preprocessing interval can be set for immediate preprocessing by specifying 0 as the preprocess interval for auto discovery on the `bpconfig` command line.
The maximum Preprocessing Interval is 48 hours.
- `-to seconds`
This is the media-mount timeout, the length of time, in seconds, that NetBackup waits for the requested media to be mounted, positioned, and become ready on backups and restores. Use this timeout to eliminate excessive waits when it is necessary to manually mount media (for example, when robotic media is out of the robot or off site).
The default is 0, which means no timeout (unlimited wait time). If seconds is not 0, its value must be 300 (5 minutes) or greater.
- `-tries times`
The number of retries for a backup, during the configured time period (see `-period`). NetBackup tries to run a backup job for a given client/policy/schedule combination this many times in the configured period. This allows you to limit the number of backup attempts should repeated failures occur.



Note This attribute does not apply to user-directed backups and archives.

Usually the number of tries should be greater than 0. Specifying 0 for the number of tries is legal but stops all scheduled backups. The default is 2 tries. If defaults are used for both `-tries` and `-period`, NetBackup will attempt the backup 2 times in 12 hours.

`-U`

The list type is user. See the section DISPLAY FORMATS for more detail.

`-v`

Select verbose mode for logging. This is only meaningful when running with debug logging turned on (the `install_path\NetBackup\logs\admin` directory is defined).

`-wi minutes`

This is the wakeup Interval, the length in time in minutes that the scheduler waits before checking if any automatic backups are scheduled to begin. A long wakeup interval can cause the scheduler to miss too much of the backup window to complete its backups. The default is 10 minutes.

DISPLAY FORMATS

`bpconfig` uses three different formats to display the current values of the NetBackup global configuration attributes.

◆ User Display Format (`-U`)

If the command line contains `-U`, the display format is user. The user display format is the format used by `bpadm` and the NetBackup graphical-user interfaces. This option produces a listing with one global attribute per line. Each line has the form *global attribute descriptor: value*. This listing is similar to the `-L` format, except that the global attribute descriptors are more explicit:

Admin Mail Address
Job Retry Delay
Max Simultaneous Jobs/Client
Backup Tries (x tries in y hours)
Keep Error/Debug Logs
Max drives this master
Keep TrueImageRecovery Info
Compress Image DB Files
Maximum Backup Copies

Media Mount Timeout

Display Reports

Preprocess Interval

◆ Long Format (-L)

If the command line contains -L, the display format is long. This option produces a listing with one global attribute per line, in the format *global attribute descriptor: value*. The fields in this display are as follows:

Mail Admin

Job Retry Delay

Max Jobs/Client

Backup Tries (x in y hours)

Keep Logs

Max drives/master

Compress DB Files

Maximum Backup Copies

Media Mnt Timeout

Postprocess Image

Display Reports

Keep TIR Info

Prep Interval

◆ Short Format (-l)

If the `bpconfig` command line contains -l or contains no list-format option, the display format is short. This produces a terse listing. This option can be useful for scripts or programs that rework the listing into a customized report format. The listing layout is a single line containing the values for all global attributes. The attributes appear in the following order, separated by blanks. For those attributes that are expressed in units of time, the time units follow the attributes in parentheses:

NetBackup administrator email address

Job Retry Delay (minutes)

Time period (hours)

Maximum simultaneous jobs per client

Tries per period



Keep logs (days)

Maximum drives this master

Compress image database interval (seconds; 0 denotes no compression)

Media mount timeout (seconds; 0 denotes unlimited)

Multihosted-media-mount timeout (seconds; 0 denotes unlimited)

Postprocess images flag (0 denotes deferred, otherwise immediate)

Display reports from <x> hours ago (hours)

Keep TIR information (days)

Preprocessing interval (hours)

◆ Example of How the Formats Differ

Here is an example of how the display formats differ. `bpconfig` runs with each of the three display formats on a NetBackup installation. The NetBackup global attributes are the same for the three displays.

The first display format, `-U`, looks like this:

```
bpconfig -U
Admin Mail Address:
Job Retry Delay:           1 minutes
Max Simultaneous Jobs/Client: 1
Backup Tries:             2 time(s) in 12 hour(s)
Keep Error/Debug Logs:    28 days
Max drives this master:    0
Keep TrueImageRecovery Info: 1 days
Compress Image DB Files:  (not enabled)
Media Mount Timeout:      0 minutes (unlimited)
Display Reports:          24 hours ago
Preprocess Interval:      0 hours
Maximum Backup Copies:    10
```

The second display format, `-L`, looks like this:

```
bpconfig -L
Mail Admin:                *NULL*
Job Retry Delay:           1 minutes
Max Jobs/Client:           1
Backup Tries:              2 in 12 hours
Keep Logs:                 28 days
Max drives/master:         0
Compress DB Files:         (not enabled)
Media Mnt Timeout:         0 minutes (unlimited)
Postprocess Image:         immediately
Display Reports:           24 hours ago
```

```
Keep TIR Info:      1 days
Prep Interval:     0 hours
Maximum Backup Copies: 10
```

The third display format, `-l`, looks like this:

```
bpconfig -l
*NULL* 1 12 1 2 28 0 0 0 0 1 24 1 0
```

The display fields for the `-l` display are interpreted as follows:

```
NetBackup administrator email address has not been set
Job Retry Delay is 1 minute
Time period is 12 hours
Maximum simultaneous jobs per client is 1
Tries per period is 2
Keep logs for 28 days
Maximum drives this master is 0
Compress image database interval is 0 seconds; 0 denotes no compression
Media mount timeout is 0seconds; 0 denotes unlimited
Multihosted-media-mount timeout is 0 seconds; 0 denotes unlimited
Postprocess images flag is 1 (immediate)
Display reports from 24 hours ago
Keep TIR information for 1 day
Preprocessing interval is 0 hours
```

RETURN VALUES

An exit status of 0 means that the command ran successfully.

Any exit status other than 0 means that an error occurred.

If administrative logging is enabled, the exit status is logged in the administrative daily log under the directory `install_path\NetBackup\logs\admin` in the form:

```
bpconfig: EXIT status = exit status
```

If an error occurred, a diagnostic precedes this message.

EXAMPLES

Example 1



While running on the master server kiwi, display the global attribute settings on the master server plim:

```
bpconfig -U -M plim
```

```
Admin Mail Address:          ichabod@null.null.com
Job Retry Delay:             10 minutes
Max Simultaneous Jobs/Client: 1
Backup Tries:                1 time(s) in 8 hour(s)
Keep Error/Debug Logs:      6 days
Max drives this master:      0
Keep TrueImageRecovery Info: 1 days
Compress Image DB Files:     (not enabled)
Media Mount Timeout:         30 minutes
Display Reports:             24 hours ago
Preprocess Interval:         0 hours
Maximum Backup Copies:       10
```

Example 2

Set the Compress-image-database interval to 604800 seconds, so that NetBackup compresses images more than 7 days old:

```
bpconfig -cd 604800
bpconfig -U
```

```
Admin Mail Address:
Job Retry Delay:          10 minutes
Max Simultaneous Jobs/Client: 1
Backup Tries:             2 time(s) in 12 hour(s)
Keep Error/Debug Logs:   28 days
Max drives this master:   0
Keep TrueImageRecovery Info: 2 days
Compress Image DB Files:  older than 7 day(s)
Media Mount Timeout:      0 minutes (unlimited)
Display Reports:          24 hours ago
Preprocess Interval:      0 hours
Maximum Backup Copies:    10
```

Example 3

Set the Media Mount Timeout to 1800 seconds.

```
bpconfig -to 1800
bpconfig -U
```

```
Admin Mail Address:          sasquatch@wapati.edu
Job Retry Delay:             10 minutes
Max Simultaneous Jobs/Client: 1
Backup Tries:                1 time(s) in 12 hour(s)
```



Keep Error/Debug Logs:	3 days
Max drives this master:	0
Keep TrueImageRecovery Info:	24 days
Compress Image DB Files:	(not enabled)
Media Mount Timeout:	30 minutes
Display Reports:	24 hours ago
Preprocess Interval:	0 hours
Maximum Backup Copies:	10

FILES

`install_path\NetBackup\logs\admin*`

`install_path\NetBackup\db\config\behavior`

SEE ALSO

`bpimage`

See the *NetBackup Media Manager System Administrator's Guide* for information on Multi Hosted Drives.



bpdjobs

NAME

bpdjobs - Interact with the NetBackup jobs database.

SYNOPSIS

```
install_path\NetBackup\bin\admincmd\bpdjobs [-report] [-M
  master_servers] [-vault | -lvault | -all_columns |
  -most_columns | -gdm] [-file pathname] [-append]
  [-noheader] [-mastertime] [-jobid job1,job2,...jobn]

install_path\NetBackup\bin\admincmd\bpdjobs -summary [-M
  master_servers] [-U | -L | -all_columns] [-file pathname]
  [-append]

install_path\NetBackup\bin\admincmd\bpdjobs {-resume |
  -suspend | -delete | -cancel | -restart} {job1,job2,...jobn
  |type=jobtype|type=all} [-M master_server] [-quiet]

install_path\NetBackup\bin\admincmd\bpdjobs -cancel_all [-M
  master_server]

install_path\NetBackup\bin\admincmd\bpdjobs -clean [-M
  master_server] [-keep_hours hours | -keep_days days]
  [-keep_successful_hours hours | -keep_successful_days
  days] [-verbose]

install_path\NetBackup\bin\admincmd\bpdjobs -version

install_path\NetBackup\bin\admincmd\bpdjobs -help
```

DESCRIPTION

bpdjobs interacts with the jobs database and is useful in scripts or as a command line administration tool. Use bpdjobs to print the entire jobs database, print a summary, delete done jobs, cancel uncompleted jobs, and clean old jobs.

It is possible to customize the output of bpdjobs by adding column definition entries (BPDBJOBS_COLDEFS) in the bp.conf file. For more information about the bp.conf file and a complete list of the definitions and the BPDBJOBS_COLDEFS entries, refer to the *NetBackup System Administrator's Guide for UNIX and Linux, Volume II*.

This command can be executed by authorized users. For more information about NetBackup authorization, refer to "Enhanced Authorization and Authentication" in the *NetBackup System Administrator's Guide for UNIX and Linux, Volume II*.

OPTIONS

`-all_columns`

Summary displays all columns. Some of the more useful fields of this command are:

`field2 = jobtype`

(0=backup, 1=archive, 2=restore, 3=verify, 4=duplication, 5=import, 6=dbbackup, 7=vault, 8=label, 9=erase, 10=tpreq, 11=tpclean, 12=tpformat, 13=vmphyinv, 14=dqts, 15=dbrecover, 16=mcontents)

`field3 = state`

(0=queued, 1=active, 2=waiting for retry, 3=done)

`field5 = policy`

(The policy that this job is associated with.)

`field6 = schedule`

(The schedule that this job is associated with.)

`field21 = subtype`

(0=immediate, 1=scheduled, 2=user-initiated)

`field24 = priority`

(The priority assigned to this job, as configured in the policy attributes.)

The output of this command consists of a single line, per backup job.

Each line of the output is a comma-delimited list in the following format:

```
jobid, jobtype, state, status, class, schedule, client, server, started,
elapsed, ended, stunit, try, operation, kbytes, files, pathlastwritten,
percent, jobpid, owner, subtype, classtype, schedule_type, priority,
group, masterserver, retentionunits, retentionperiod, compression,
kbyteslastwritten, fileslastwritten, filelistcount, [files] ...,
trycount, [trypid, trystunit, tryserver, trystarted, tryelapsed,
tryended, trystatus, trystatusdescription, trystatuscount,
[trystatuslines] ..., trybyteswritten, tryfileswritten] ...
```

Refer to Example 1 for an example on how to interpret the `-all_columns` output.

`-append`

Appends the output to the file specified by the `-file` option. If no `-file` option is provided, the output goes to `stdout`.

`-cancel job1,job2,...jobn | type=jobtype | type=all`

Causes `bpdjobs` to cleanly cancel active jobs with a Status 150, displayed in the Activity Monitor. For example:

```
bpdjobs -cancel 11328
```

```
bpdjobs -cancel 11328,11329,11330
```



`-cancel_all`

Causes `bpdjobs` to cleanly cancel all uncomplete jobs with a Status 150, displayed in the Activity Monitor. For example:

```
bpdjobs -cancel_all
```

`-clean`

Causes `bpdjobs` to delete done jobs that are older than a specified time period. Use with the `-keep_hours` or `-keep_days`, or `-keep_successful_hours` or `-keep_successful_days` parameters to specify a retention period. For example,

```
bpdjobs -clean -keep_hours 30
```

`-delete` *job1,job2,...jobn* | `type=jobtype` | `type=all`

Causes completed jobs that are displayed in the Activity Monitor to be deleted. Multiple jobs can be deleted in one command. For example:

```
bpdjobs -delete 11328
```

```
bpdjobs -delete 11328,11329,11330
```

Or, delete jobs specified by *job1,job2,...jobn*, or all eligible jobs indicated by *jobtype*, or all eligible jobs if `type=all` is specified.

Enter one of the following as *jobtype*. (The letters following the capitalized letters are ignored):

ALL | *

REStore

BACKup

ARChive

VERify

DUPLicate

IMPort

LABel

ERAsE

VAULT

TPReq

CLEan

FORmat

INVenTory

QUAlification

DBbackup | CATalogbackup

`-file` *pathname*

Names a file to which the output of `bpdjobs` will be written. If no `-file` option is provided, the output goes to `stdout`.

- gdm
Displays less information than `-most_columns`.
- help
Prints a command line usage message when `-help` is the only option on the command line.
- jobid *job1,job2,...jobn* | `type=jobtype` | `type=all`
This option reports on multiple job ID's.
- keep_days *days*
Use with the `-clean` option to specify how many days bpdjobs keeps done jobs. Default is 3 days.
- keep_hours *hours*
Use with the `-clean` option to specify how many hours bpdjobs keeps done jobs. Default is 72 hours.
- keep_successful_days *days*
Use with the `-clean` option to specify how many days bpdjobs keeps successful done jobs. Default is 3 days.
This value must be less than the `-keep_days` value.
- keep_successful_hours *hours*
Use with the `-clean` option to specify how many hours bpdjobs keeps successful done jobs. Default is 72 hours.
This value must be less than the `-keep_hours` value.
- L
Report in long format.
- lvault
Displays additional columns specific to Vault jobs.
- M *master_servers*
Applies to an environment where there are multiple masters servers. Use the `-M` option to:
 - Summarize jobs for a specific master server.
 - Delete jobid(s) for a specific master server.
 - Cancel jobid(s) for a specific master server.
 - Cancel all active jobids for a specific master server.
- mastertime
By default, bpdjobs translates the start/end times to be relative to the local clock so a job that starts 3 minutes ago looks like it starts 3 minutes ago regardless of any time zone and clock differences with the master server. This option circumvents that translation so time values are consistent between admin clients.



- `-most_columns`
Behaves similarly to `-all_columns` but does not print the file list or any information on previous attempts. The `-most_columns` option is significantly faster than `-all_columns`.
- `-noheader`
This option prevents the header from being printed.
- `-quiet`
Use this option when you do not want to report the number of jobs resumed/suspended/deleted/canceled.
- `-report`
Provides a report of data stored in the Activity Monitor. If no option is specified with `bpdjobs`, `-report` is the default option.
- `-restart` *job1,job2,...jobn* | `type=jobtype` | `type=all`
Allows `bpdjobs` to cleanly restart a job indicated by the `jobtype`. This command supports backups and enables you to restart a job by typing the word `BACkup` in the Activity Monitor.
- `-resume` *job1,job2,...jobn* | `type=jobtype` | `type=all`
Resumes the jobs specified by *job1,job2,...jobn*, all eligible checkpointed backups or restore jobs indicated by *jobtype*, or all eligible jobs if `type=all` is specified.
Enter one of the following as *jobtype*. (The letters following the capitalized letters are ignored):
ALL | *
REStore
BACkup
ARChive
VERify
DUPLICATE
IMPort
LABel
ERAsE
VAULT
TPReq
CLEan
FORmat
INVENTORY
QUALification
DBbackup | CATalogbackup

- `-summary [-U | -L | -all_columns]`
Causes a summary line to be printed to `stdout` of all jobs stored in `NBU/jobs`.
Parameters `-U` and `-L` format the output of the command. Use the `-file` option to write the output to a given directory/filename. For example:
`bpdjobs -summary -U -file /tmp/summary.out`
- `-suspend job1,job2,...jobn | type=jobtype | type=all`
Suspends the jobs specified by `job1,job2,...jobn`, or all eligible checkpointed backups or restore jobs indicated by `jobtype`, or all eligible jobs if `type=all` is specified.
Enter one of the following as `jobtype`. (The letters following the capitalized letters are ignored):
`ALL | *`
`REStore`
`BACKup`
`ARCHive`
`VERify`
`DUPlicate`
`IMPort`
`LABEL`
`ERASE`
`VAULT`
`TPReq`
`CLEAn`
`FORmat`
`INVENTORY`
`QUALification`
`DBbackup | CATalogbackup`
- `-U`
Report in user format. This is the report format used by NetBackup report-generating tools such as the NetBackup-Java Reports application.
- `-vault`
Displays additional columns specific to Vault jobs.
- `-verbose`
Causes `bpdjobs` to log additional information in the debug log in the following directory, if the directory exists:
`install_path\NetBackup\logs\bpdjobs*`



`-version`

Causes `bpdjobs` to print the version string, then halt. Any other switches are ignored.

EXAMPLES

Example 1

The following is a sample of the logic that you can use to decode the output of the `-all_columns` option to produce the backup initiation time of a successful backup job that succeeded, but not on the first try.

Field 9 = start time (The time the job was first queued.)

This time is virtually worthless, unless you want to know when the job was queued.

Up to Field 32, all fields are fixed. Then Field 32 tells you how many entries there are in the filelist fields.

Field 32 = filelistcount (The number of files that are listed in the filelist.)

Then, if you add that value to 33, you'll get the field that shows you the number of tries.

Field 33 + filelistcount = trycount (The number of tries that have occurred.)

If there's only one try, and you want its start-time, then add 33, filelistcount + 4, and you've got the field that shows you the start-time of the first try:

Field 33 + filelistcount + 4 = [first]trystarted (The start time of the first try.)

But, if there were `_two_` tries, then you have go past the status entries. First, you need the number of entries in the status field. To get that number, add 9 to 33 and the filelistcount:

Field 33 + filelistcount + 9 = trystatuscount (The number of status entries in the first try.)

Then, to get the start-time of the second try, add 33, filelistcount, 9, trystatuscount, and 6:

Field 33 + filelistcount + 9 + trystatuscount+6 = [second]trystarted (The start time of the second try)

FILES

`install_path\NetBackup\logs\bpdjobs*`

bpdwn

NAME

bpdwn - Shuts down the NetBackup services on Windows systems.

SYNOPSIS

```
install_path\NetBackup\bin\bpdwn [-h] [-S|v] [-f] [-a] [-c]  
[-d] [-m] [-n] [-s] [-r]
```

DESCRIPTION

The bpdwn command is used to shut down the NetBackup services including many components of the product, such as the NetBackup databases, Media Manager, clients, and some robotic control daemons. This option does not shut down the processes.

OPTIONS

- h
This option displays the help screen.
- S
This option selects the silent mode. No listing is generated and no confirmation is requested.
- v
Using the selected verbose mode generates a detailed listing.
- f
This option forces a shutdown of the NetBackup services without prompting the user for a confirmation.
- c
This option shuts down the client.
- d
This option shuts down the NetBackup database.
- m
This option shuts down Media Manager.
- n
This option shuts down the NetBackup server and not the client.
- s
This option shuts down the server (NetBackup and Media Manager).
- r
This option shuts down the robotic control daemons.



SEE ALSO

bpup

bpduplicate

NAME

bpduplicate - Create a copy of backups created by NetBackup.

SYNOPSIS

```
install_path\NetBackup\bin\admincmd\bpduplicate -npc
    new_primary_copy -backupid backup_id [-local] [-client
    name]

install_path\NetBackup\bin\admincmd\bpduplicate [-number_copies
    number] [-dstunit
    destination_storage_unit_label[,copy2,...,copyn] [-dp
    destination_pool_name[,copy2,...,copyn] [-p | -pb | -PD |
    -PM] [-Bidfile file_name] [-v] [-local] [-client name]
    [-st sched_type] [-sl sched_label] [-L output_file [-en]]
    [-shost source_host] [-policy name] [-s date] [-e date]
    [-pt policy_type] [-hoursago hours] [[-cn copy_number] |
    [-primary]] [-M master_server] [-altreadhost hostname]
    [-backupid backup_id] [-id media_id] [-rl
    retention_level[,rl-copy2,...,rl-copyn]] [-fail_on_error
    0|1[,...,0|1]] [-mpx] [-priority number] [-set_primary
    copy_index]
```

DESCRIPTION

The `bpduplicate` command allows a copy of a backup to be created. The `bpduplicate` command can also change the primary copy in order to enable restoring from a duplicated backup. The primary copy is used to satisfy restore requests and is initially the original copy.

Multiplexed duplications can be created by using the `-mpx` option. Refer to the discussion of the `-mpx` option for more information.

The duplicated backup has a separate expiration date from the original. Initially, the expiration date of the copy is set to the expiration date of the original. You can change the expiration date of the copy or the original by using the `bpexpdate` command.

Use `bpduplicate` to create up to 10 copies of unexpired backups.

This command can be executed by authorized users. For more information about NetBackup authorization, refer to "Enhanced Authorization and Authentication" in the *NetBackup System Administrator's Guide*.



OPTIONS

- altreadhost *hostname*
Specify an alternate host from which to read the media. The default is that `bpduplicate` reads the source media from the host that performed the backup.
- backupid *backup_id*
Specifies the backup ID of a single backup to duplicate or for which to change the primary copy.
- Bidfile *file_name*
file_name specifies a file that contains a list of backup IDs to be duplicated. List one backup ID per line in the file. If this parameter is specified, other selection criteria is ignored.

In addition, the file specified with the `-Bidfile` parameter is removed during the execution of that command line interface (CLI). This happens because the NetBackup GUI's commonly use this parameter and the GUIs expect the command-line interface to remove the temporary file that was used for the `-Bidfile` option upon completion. Direct command-line interface users can also use the option, however it will remove the file.
- client *name*
Specifies the name of the client that produced the originals and is used as search criteria for backups to duplicate. The default is all clients.

When specified with the `-npc` option in order to change the primary copy, this indicates that NetBackup will first search for the backup ID belonging to the specified client. This is useful if the client name has changed.
- cn *copy_number*|-primary
Determines the copy number to duplicate. Valid values are 1 through 10. The default is 1.

-primary indicates to `bpduplicate` to search or duplicate the primary copy.
- dp *destination_poolname* [*copy2*,...,*copyn*]
Specifies the volume pool for the duplicates. NetBackup does not verify that the media ID selected for the duplicate copy is not the same media ID where the original resides. Therefore, to avoid the possibility of a deadlock, specify a different volume pool than where the original media ID resides. The default pool name is `NB_duplicates`.

Specify a pool for each copy specified.

- `-dstunit` *destination_storage_unit_label* [*copy2*,...,*copyn*]
 Specifies the destination storage unit. This parameter is required to duplicate backups. Do not specify this option to preview backups to be duplicated (`-p`, `-pb`, `-PM`, or `-PD` options) or to change the primary copy (`-npc` option). This option does not have a default.
 Specify a storage unit for each copy specified.
- `-e` *date*
- `-s` *date*
 Specifies the end (`-e`) or start (`-s`) of the range of dates and times that include all backups to duplicate. The default end date is the current date and time. The default start time is 24 hours prior to the current date and time.
- `-fail_on_error` 0|1[,0|1,...,0|1]
 Specifies whether to fail the other duplications if the copy fails, where:
 0 = Do not fail the other copies
 1 = Fail other copies
 Specify one for each copy specified.
- `-hoursago` *hours*
 Specifies number of hours prior to the current time to search for backups. Do not use with the `-s` option. The default is the previous midnight.
- `-id` *media_id*
 Search the image catalog for backups to duplicate that are on this media ID. If the original is fragmented between different media IDs, NetBackup duplicates only the backups that exist on the specified media ID. Backups that span media are duplicated, but not any other backups on the spanned media ID.
- `-L` *output_file* [`-en`]
 Specifies the name of a file in which to write progress information. The default is to not use a progress file.
 Include the `-en` option to generate a log in English. The name of the log will contain the string `_en`. This option is useful to support personnel assisting in a distributed environment where differing locales may create logs of various languages.
- `-local`
 When `bpduplicate` is initiated from a host other than master server and the `-local` option is *not* used (default), `bpduplicate` starts a remote copy of the command on the master server.



The remote copy allows the command to be terminated from the Activity Monitor.

Use the `-local` option to prevent the creation of a remote copy on the master server and to run the `bpduplicate` only from the host where it was initiated.

If the `-local` option is used, `bpduplicate` cannot be canceled from the Activity Monitor.

-M *master_server*

Specifies the master server that manages the media catalog that has the media ID. If this option is not specified, the default is one of the following:

For NetBackup Server:

NetBackup Server supports only one server (the master) with no remote media servers. Therefore, the default in this case is always the NetBackup Server master where you run the command.

For NetBackup Enterprise Server:

If the command is run on a master server, then that server is the default.

If the command is run on a media server that is not the master, then the master for that media server is the default.

-mpx

Specifies that when duplicating multiplexed backups, NetBackup will create multiplexed backups on the destination media. This reduces the time to duplicate multiplexed backups.

Multiplexed duplication is not supported for:

- Non-multiplexed backups
- Backups from disk type storage units
- Backups to disk type storage units
- FlashBackup or NDMP backups

If backups in the above categories are encountered during duplication, NetBackup duplicates them first and uses non-multiplexed duplication. Then, the multiplexed backups are duplicated by using multiplexed duplication.

If all the backups in a multiplexed group are not duplicated, the duplicated multiplexed group will have a different layout of fragments. (A multiplexed group is a set of backups that were multiplexed together during a single multiplexing session.)

If this option is not specified, all backups are duplicated using non-multiplexed duplication.

For more information on multiplexing, see the *NetBackup System Administrator's Guide*.

-
- npc *new_primary_copy*
Allows the primary copy to be changed. The value can be 1 through 10. The `-backupid` option must be specified with this option.
 - number_copies *number*
Specifies the number of copies to be created. Without the Inline Tape Copy option or NetBackup Vault extension installed, the value can only be set to 1. The default is 1.
Use with `-dstunit`, `-dp`, `-fail_on_error`, and `-r1`:
`-number_copies 2 -dstunit stunit-copy1, stunit-copy2`
`-number_copies 2 -dp pool1,pool2`
 - p
Previews backups to be duplicated according the option settings, but does not perform the duplication. Displays the media IDs, server name, backups that are not candidates for duplication (and why), and information about the backups to be duplicated.
 - pb
Previews the duplication but does not perform the duplication. Similar to the `-p` option, but does not display information about the backups.
 - PD
Same as the `-PM` option, except the backups are sorted and displayed by date and time (newest to oldest).
 - PM
Displays information on the backups to be duplicated according to the option settings, but does not perform the duplication. This format first displays the backup IDs that cannot be duplicated and why (for example, because the backup already has two copies). It then displays the following information about the backup: date and time of the backup, policy, schedule, backup ID, host, media ID or path, copy number, and whether the copy is the primary copy (0 or 1):
1 = Primary copy
0 = Not primary copy
 - policy *name*
Search for backups to duplicate in the specified policy. The default is all policies.
 - priority *number*
Enables you to configure backup policies to run at a lesser or a higher priority than disk staging duplication.



`-pt policy_type`

Search for backups created by the specified policy type. The default is any policy type.

Valid values are:

Informix-On-BAR
 Oracle
 Macintosh
 MS-Exchange-Server
 MS-Windows
 MS-SQL-Server
 NDMP
 Netware
 OS/2
 Standard
 Sybase

Note The following policy types apply only to NetBackup Enterprise Server.

AFS
 DataTools-SQL-BackTrack
 DB2
 FlashBackup
 SAP
 Split-Mirror

`-rl retention_level [, rl-copy2, . . . , rl-copyn]`

Provides a retention level for each copy specified.

If no retention levels are specified, the expiration date of the original copy is used for each copy. If a retention period is indicated, the expiration date for the copy is the backup date plus the retention period.

For example, if a backup was created on November 14, 2003, and its retention period is one week, the new copy's expiration date is November 21, 2003.

A value of -1 indicates that the original expiration date is used for the copy.

`-set_primary copy_index`

Specify a new copy to become the primary copy.

copy_index is one of the following:

0 = Do not change the primary copy (default)



- 1 = First new copy will be the primary copy
- 2 = Second new copy will be the primary copy
- 3 = Third new copy will be the primary copy, and so on.

copy_index cannot be greater than the `bpduplicate -number_copies` value.

If the copy specified to be the primary copy fails, but other copies are successful, the primary copy will not change from its current value.

- shost *source_host*
Specifies that only the backups created on the specified backup server are considered for duplication. The default is to consider all backups regardless of the backup server.
- sl *sched_label*
Search for backups to duplicate that were created by the specified schedule. The default is all schedules.
- st *sched_type*
Search for backups to duplicate that were created by the specified schedule type. The default is any schedule type.
Valid values are:
FULL (full backup)
INCR (differential-incremental backup)
CINC (cumulative-incremental backup)
UBAK (user backup)
UARC (user archive)
NOT_ARCHIVE (all backups except user archive)
- v
Selects verbose mode. When specified, the debug and progress logs include more information.

NOTES

The format that you must use for date and time values in NetBackup commands varies according to your locale setting.

If you are uncertain of the NetBackup command requirements for your locale, enter the command with the `-help` option and check the USAGE. For example, the following is the output for the `-s` and `-e` options:

```
[-s mm/dd/yyyy HH:MM:SS] [-e mm/dd/yyyy HH:MM:SS]
```

Notice the month/day/year and hours:minutes:seconds requirements. These are for a locale setting of C and can be different for other locales.



EXAMPLES

Example 1

The following command (all on one line) lists backups with a copy number of 1, that were backed up by the policy named stdpolicy, and created between July 1, 2003, and August 1, 2003.

```
bpduplicate -PM -cn 1 -policy stdpolicy -s 07/01/01 -e 08/01/01
```

Example 2

The following command (all on one line, or using a backslash continuation character) duplicates copy 1 of the backups listed in file `C:\tmp\bidfile`. The destination storage unit is `unit1` and the destination pool is `dup_pool`. Progress information is written to `C:\tmp\bpdup.ls`.

```
bpduplicate -dstunit unit1 -Bidfile C:\tmp\bidfile  
-L C:\tmp\bpdup.ls -dp dup_pool -cn 1
```

Example 3

The following command (all on one line, or using a backslash continuation character) is the same as the prior example, except multiplexed backups are duplicated using multiplexed duplication.

```
bpduplicate -dstunit unit1 -Bidfile C:\tmp\bidfile  
-mpx -L C:\tmp\bpdup.ls -dp dup_pool -cn 1
```

FILES

```
install_path\NetBackup\db\images\*
```

```
install_path\NetBackup\logs\admin\*
```

bpcerror

NAME

bpcerror - Display NetBackup status and troubleshooting information or entries from the NetBackup error catalog.

SYNOPSIS

```
install_path\NetBackup\bin\admincmd\bpcerror {-S | -statuscode
  status_code} [-r|-recommendation] [[-p Unx |
  NTx] | [-platform Unx | NTx]] [-v]
```

```
install_path\NetBackup\bin\admincmd\bpcerror [-all | -problems
  |-media | {-backstat [-by_statcode]}] [-L | -l | -U]
  [-columns ncols] [-d date | -hoursago hours] [-e date]
  [-client client_name] [-server server_name] [-jobid
  job_id] [-M master_server,...] [-v]
```

```
install_path\NetBackup\bin\admincmd\bpcerror [-s
  {severity[+]}|severity ...] [-t type ...] [-L | -l | -U]
  [-columns ncols] [-d date | -hoursago hours] [-e date]
  [-client client_name] [-server server_name] [-jobid
  job_id] [-M master_server,...] [-v]
```

DESCRIPTION

bpcerror displays information from either the same source as the online troubleshooter (in the Activity Monitor or Reports applications) or from the NetBackup error catalog. bpcerror provides the following types of displays:

- ◆ A display of the message that corresponds to a status code and, optionally, a recommendation on how to troubleshoot the problem. In this case, the display results come from the same source as the online troubleshooter for the local system.
- ◆ A display of the error catalog entries that satisfy the command-line options. For instance, bpcerror can display all the problem entries for the previous day.
- ◆ A display of the error catalog entries that correspond to a particular message severity and/or message type.

For information on details of the displays, see DISPLAY FORMATS later in this command description.

bpcerror writes its debug log information to the *install_path*\NetBackup\logs\admin directory. You can use the information in this directory for troubleshooting.

The output of bpcerror goes to standard output.



This command can be executed by authorized users. For more information about NetBackup authorization, refer to "Enhanced Authorization and Authentication" in the *NetBackup System Administrator's Guide*.

OPTIONS

-all

-backstat [-by_statcode]

-media

-problems

These options specify the type and severity of log messages to display. The default type is ALL. The default severity is ALL.

For -all: The type is ALL, and severity is ALL. Running bpcerror with this option and -U produces an All Log Entries report.

For -backstat: The type is BACKSTAT, and severity is ALL. If -by_statcode is present, the display contains one entry for each unique status code. Line 1 of the entry contains the status code and the corresponding message text. Line 2 of the entry contains the list of clients for which this status code occurred. -by_statcode is only valid when the command line contains both -backstat and -U. Running bpcerror with this option and -U produces a Backup Status report.

For -media: The type is MEDIADEV, and severity is ALL. Running bpcerror with this option and -U produces a Media Logs report.

For -problems: The type is ALL, and severity is the union of WARNING, ERROR, and CRITICAL. Running bpcerror with this option and -U produces a Problems report.

-client *client_name*

Specifies the name of a NetBackup client. This name must be as it appears in the NetBackup catalog. By default, bpcerror searches for all clients.

-columns *ncols*

For the -L and -U reports, -columns provides an approximate upper bound on the maximum line length. bpcerror does not attempt to produce lines exactly *ncols* characters in length.

-columns does not apply to the -l report.

ncols must be at least 40. The default is 80.

-d *date*

-e *date*

Specifies the start and end date range for the listing.

`-d` specifies a start date and time for the listing. The resulting list shows only images in back ups or archives that occurred at or after the specified date and time. The format of date depends on the user's locale setting. See the NOTES section for more information. For the C locale, the date syntax is as follows:

mm/dd/yy [hh[:mm[:ss]]]

The valid range of dates is from 01/01/1970 00:00:00 to 01/19/2038 03:14:07. The default is 24 hours before the current date and time.

The method you use to specify the date and time is dependent on the locale setting for your system. See NOTES.

`-e` specifies an end date and time for the listing. The resulting list shows only files from backups or archives that occurred at or before the specified date and time. Use the same format as for the start date. The default is the current date and Time. The end date must be greater than or equal to the start date.

`-help`

Prints a command line usage message when `-help` is the only option on the command line.

`-hoursago` *hours*

Specifies a start time of this many hours ago. This is equivalent to specifying a start time (`-d`) of the current time minus hours. Hours is an integer. The default is 24, meaning a start time of 24 hours before the current time.

`-jobid` *job_id*

Specifies a NetBackup job ID. By default, `bpcerror` searches for all job IDs.

`-L`

Report in long format.

`-l`

Report in short format. This produces a terse listing. This option is useful for scripts or programs that rework the listing contents into a customized report format. This is the default list type.

`-M` *master_server*

A list of master servers. This is a comma-separated list of hostnames. If this option is present, the command is run on each of the master servers in this list. The master servers must allow access by the system issuing the command. If an error occurs for any master server, processing stops at that point in the list. The default is the master server for the system where the command is entered.



`-p Unx | NTx`

`-platform Unx | NTx`

Display the message that applies to the platform (UNIX or Windows) for the specified status code. The default is to display the message for the platform on which bpcerror is running. The `-S` or `-statuscode` option must be specified when using this option.

`-r | -recommendation`

Display the recommended action for the specified status code from the troubleshooting guide. The default is not to display the recommended action. The `-S` or `-statuscode` option must be specified when using this option.

`-S status_code`

`-statuscode status_code`

Display the message that corresponds to the status code. There is no default for this option.

`-s severity`

`-s severity+`

Specifies the severity of log messages to display. The defined values are ALL, DEBUG, INFO, WARNING, ERROR, and CRITICAL.

There are two ways to specify severity. The first way is a list of one or more severity values. For instance, "`-s INFO ERROR`" displays the messages with either severity INFO or severity ERROR. The delimiter between the elements in the list must be a blank (" "). The second way is a single severity value with "+" appended, meaning this severity or greater. For instance "`-s WARNING+`" displays the messages with severity values WARNING, ERROR, and CRITICAL.

The default is ALL. The severity value can be in either upper or lower case.

`-server server_name`

Specifies the name of a NetBackup server. This name must be as it appears in the NetBackup catalog. The display is limited to messages logged for this server, which also satisfy the other criteria specified by bpcerror options. For instance, if `-server plim` and `-hoursago 2` are bpcerror options, the display contains messages logged for the media server plim in the past two hours.

The server name must match the server name recorded in the log messages. For instance, if the logs record the server name as `plim.null.null.com`, specifying `-server plim` will not display the logs, but `-server plim.null.null.com` will.

The query goes to the error catalog residing on the master server (either the local master server or the master server specified by `-M`). The master server must allow access by the system running `bperorr`.

The default is to display log messages for all media servers known to the master server(s).

`-t type`

Specifies the type of log messages to display. The defined values are ALL, BACKSTAT, MEDIADEV, GENERAL, BACKUP, ARCHIVE, RETRIEVE, and SECURITY. The default is ALL. The type value can be in either upper or lower case. The type value is entered as a list of one or more values. For instance, "`-t BACKSTAT MEDIADEV`" displays the messages with either type BACKSTAT or type MEDIADEV. The delimiter between the elements in the list must be a blank (" ").

`-U`

Report in user format. This is the report format used by NetBackup report-generating tools such as the NetBackup-Java Reports application.

`-v`

Selects verbose mode. This option causes `bperorr` to log additional information for debugging purposes. The information goes into the NetBackup-administration daily debug log. This option is meaningful only when NetBackup has debug logging enabled (`install_path\NetBackup\logs\admin` directory defined). The default is not to be verbose.

DISPLAY FORMATS

- ◆ Status code display (for example, `bperorr -S status_code`):

`bperorr` queries the NetBackup online troubleshooter on the local system for the message that corresponds to the status code. `bperorr` displays the message text on one line and an explanation on a second line.

If `-r` or `-recommendation` is an option, `bperorr` also queries for the troubleshooting recommendation that corresponds to the status code. `bperorr` displays the recommendation following the status message, on one or more lines.

- ◆ Error catalog display (for example, `bperorr -all`; `bperorr -s severity`):

`bperorr` queries the NetBackup error catalog on either the local master server or the master servers in the `-M` option list. The display consists of the results returned from querying the error catalog on the master server(s). The results are limited to catalog entries that satisfy all the `bperorr` options. For instance, if the `bperorr` command line contains options for client, start time, and end time, then `bperorr` reports only the jobs run for that client between the start and end times. For the display variant that shows individual message entries from the error catalog, the display can appear



in long (-L), user (-U), or short (-l) format. For the display variant that categorizes by status code, the display can appear in user (-U) format only. The display content for each of these formats is as follows:

- ◆ Error catalog display, individual message entries, long format (for example, `bpererror -media -L`). This report produces several lines per log entry, with the following contents:

Line 1: Date and time

V:NetBackup version

S:Server

C:Client

J:Job ID

(U:Job group ID and an unused field) If multi-streaming is enabled for a policy, the job group ID is the job ID of the first job that spawned a collection of multi-streaming backups; if multi-streaming is disabled for the policy, the job group ID is always zero.

Line 2: Severity (severity name and severity code in hexadecimal)

Type (type name and type code in hexadecimal)

Who (name of the entity that added the log entry)

Line 3: Text (beginning of the log message text, continued on succeeding lines if necessary)

- ◆ Error catalog display, individual message entries, user format (for example., `bpererror -media -U`). The user format produces a header line showing column names, and then one or more lines per log entry, with the following contents:

Line 1: Date and time

Server

Client

Text (beginning of the log message text, continued on succeeding lines if necessary)

- ◆ Error catalog display, individual message entries, short format (for example., `bpererror -media -l`). The short format produces a single line per log entry, with the following contents:

Line 1: Time (internal system representation)

NetBackup version

Type code (decimal)

Severity code (decimal)

Server

Job ID

Job Group ID

An unused field

Client

Who

Text (the entire log message text, with no truncation of the line length)

- ◆ Error catalog display categorized by status code. This display reports only each unique status code, instead of listing every log entry for that status code (for example, `bpcerror -backstat -by_statcode -U`). This produces two or more lines per status code, with the following contents:

Line 1: Status code

Text (the beginning of the log message text, continued on succeeding lines if necessary)

Line 2: The list of clients for which this status occurred.

NOTES

The format that you must use for date and time values in NetBackup commands varies according to your locale setting.

If you are uncertain of the NetBackup command requirements for your locale, enter the command with the `-help` option and check the USAGE. For example, the following is the part of the `bpcerror` usage output:

```
USAGE: bpcerror ...
        [-d mm/dd/yyyy hh:mm:ss | -hoursago hours]
        [-e mm/dd/yyyy hh:mm:ss] [-client client_name] ...
```

Notice the month/day/year and hours:minutes:seconds requirements for the `-d` and `-e` options. These are for a locale setting of C and can be different for other locales.

EXAMPLES

Example 1

Here `bpcerror` displays the error for a job that failed because the NetBackup encryption package was not installed. Status code 9 is the NetBackup status code for this failure. The second run of `bpcerror` displays the action recommended for NetBackup status code 9.

```
bpcerror -d 12/23/2003 16:00:00 -e 12/23/2003 17:00:00 -t backstat -U
STATUS      CLIENT      POLICY      SCHED      SERVER      TIME COMPLETED
9           plim        dhcrypt     user       plim        12/23/2003 16:38:09
           (an extension package is needed, but was not installed)
```



```
bpcerror -S 9 -r
    an extension package is needed but was not installed
    A NetBackup extension product is required in order to perform the
    requested operation.
    Install the required extension product.
```

Example 2

Here `bpcerror` reports, in User format, the problems that have occurred in the previous 24 hours.

```
bpcerror -U -problems
TIME                SERVER CLIENT - TEXT
11/23/2003 16:07:39 raisins - no storage units configured
11/23/2003 16:07:39 raisins - scheduler exiting - failed reading
storage unit database information (217)
11/23/2003 16:17:38 raisins - no storage units configured
11/23/2003 16:17:38 raisins - scheduler exiting - failed reading
storage unit database information (217)
11/23/2003 16:26:17 raisins - WARNING: NetBackup database backup
is currently disabled
11/23/2003 18:11:03 raisins nut  bpcd on nut exited with status 59:
access to the client was not allowed
11/23/2003 18:11:20 raisins - WARNING: NetBackup database backup
is currently disabled
```

Example 3

The following example displays status for type `backstat` for jobs run in the previous 24 hours. The option `-by_statcode` produces a display organized by status code.

The display shows that one or more jobs for each of the clients `chive`, `gava`, `plim`, and `raisins` completed successfully (the status code is 0). In addition, one or more jobs for client `nut` failed because `nut` did not allow access by the master or media server (the status code is 59).

```
bpcerror -U -backstat -by_statcode
0  the requested operation was successfully completed
   chive gava plim raisins
59  access to the client was not allowed
   nut
```

Example 4

The following example identifies and retrieves the results for a particular user job. It first lists the log entries with job Ids other than zero. It then runs a User-format report on the job of interest.

```
bpcerror -hoursago 2002 -L | grep 'S:' | egrep 'J\:[1-9]'
```

```
12/21/2003 17:24:14 V1 S:plim C:plim J:1 (U:0,0)
12/23/2003 16:31:04 V1 S:plim C:plim J:1 (U:0,0)
12/23/2003 16:31:06 V1 S:plim C:plim J:1 (U:0,0)
12/23/2003 16:38:04 V1 S:plim C:plim J:3 (U:0,0)
12/23/2003 16:38:07 V1 S:plim C:plim J:3 (U:0,0)
12/23/2003 16:38:08 V1 S:plim C:plim J:3 (U:0,0)
12/23/2003 16:38:09 V1 S:plim C:plim J:3 (U:0,0)
01/07/2002 13:12:31 V1 S:plim C:plim J:34 (U:0,0)
01/07/2002 13:12:36 V1 S:plim C:plim J:34 (U:0,0)
01/07/2002 13:12:40 V1 S:plim C:plim J:34 (U:0,0)
01/07/2002 13:12:41 V1 S:plim C:plim J:34 (U:0,0)
```

```
bpcerror -d 1/7/2002 -jobid 34 -U
```

```
TIME                SERVER CLIENT - TEXT
```

```
01/07/2002 13:12:31 plim plim  started backup job for client
plim, policy jdencrypt, schedule user on storage unit jdencrypt
01/07/2002 13:12:36 plim plim  begin writing backup id
plim_0947272350, copy 1,fragment 1
01/07/2002 13:12:40 plim plim  successfully wrote backup id
plim_0947272350,copy 1, fragment 1, 32 Kbytes at 11.057
Kbytes/sec
01/07/2002 13:12:41 plim plim  CLIENT plim  POLICY jdencrypt
SCHD user EXIT STATUS 0 (the requested operation was
successfully completed)
```

Example 5

The following example shows the media entries in the error catalog for the past 2000 hours.



```
bperorr -hoursago 2000 -media -U
TTIME                SERVER CLIENT - TEXT
12/23/2003 16:31:04 plim plim Media Manager terminated during
mount of media id A00000, possible media mount timeout
12/24/2003 04:31:20 plim - media id A00000 removed from Media
Manager database (manual deassign)
```

Example 6

The following example tallies and reports the total number of bytes backed up in the past 24 hours.

```
bperorr -all -hoursago 24 | grep "successfully wrote backup id"
| awk '{bytes= bytes + $20} END {print "backed up",bytes,"
Kbytes of data"}'
    backed up 64 Kbytes of data
bperorr -all -hoursago 24 | grep "successfully wrote backup id"
| grep fragment | awk '{bytes+=$20} END {printf "backed up
fragmented", bytes }'
bperorr -all -hoursago 24 | grep "successfully wrote backup id"
| grep -v fragment | awk '{bytes+=$18} END {printf "backed up
unfragmented", bytes}'
```

Example 7

The following example reports the performance, in Kbytes per second, for each of today's backups:

```
bperorr -all | grep Kbytes
0912013673 1 4 4 hatt 0 0 0 hatt bptm successfully wrote backup
id hat_0912013584, copy 1, fragment 1, 32256 Kbytes at 891.222
Kbytes/sec
0912014210 1 4 4 hatt 0 0 0 hatt bptm successfully wrote backup
id hat_0912014132, copy 1, fragment 1, 32256 Kbytes at 1576.848
Kbytes/sec
0912016068 1 4 4 hatt 0 0 0 hatt bptm successfully wrote backup
id hat_0912015780, copy 1, fragment 1, 603136 Kbytes at
2645.960 Kbytes/sec
```


Example 8

Here `bpcerror` displays the status message and the recommended action for status code 0:

```
bpcerror -S 0 -r
```

```
the requested operation was successfully completed
```

```
There were no problems detected with the requested operation.
```

```
None, unless this was a database backup performed through a  
database extension product (for example, NetBackup for Oracle  
or NetBackup for SQL Server). In those instances, code 0 means  
the backup script that started the backup ran without error.  
However, you must check other status as explained in the  
related NetBackup manual to see if the database was  
successfully backed up.
```

FILES

```
install_path\NetBackup\logs\admin\log.mmdyy
```

```
install_path\NetBackup\db\error\log files
```

```
install_path\NetBackup\bin\NbwTroub.dll
```

```
install_path\NetBackup\msg\.conf
```



bpexpdate

NAME

bpexpdate - Change the expiration date of backups in the image catalog and media in the media catalog.

SYNOPSIS

```
install_path\NetBackup\bin\admincmd\bpexpdate -m media_id -d date  
[-host name] [-force] [-M master_server[, ...,]]
```

```
install_path\NetBackup\bin\admincmd\bpexpdate -deassignempty  
[-m media_id] [-host name] [-force] [-M  
master_server[, ...,]]
```

```
install_path\NetBackup\bin\admincmd\bpexpdate -backupid  
backup_id -d date |0|infinity [-client name] [-copy  
number] [-force] [-M master_server[, ...,]]
```

```
install_path\NetBackup\bin\admincmd\bpexpdate -recalculate  
[-backupid backup_id] [-copy number] -d date |0|infinity]  
[-client name] [-policy name] [-ret retention_level]  
[-sched type] [-M master_server[, ...,]]
```

DESCRIPTION

NetBackup maintains internal databases with backup image and media information. These internal databases are called catalogs. Both an image record in the image catalog and a media ID in the media catalog contain an expiration date. The expiration date is the date and time when NetBackup removes the record for a backup or media ID from the corresponding catalog.

The `bpexpdate` command allows the expiration date and time of backups to be changed in the NetBackup image catalog. It is also used to change the expiration of removable media in the NetBackup media catalog. If the date is set to zero, `bpexpdate` immediately expires backups from the image catalog or media from the media catalog. When a media ID is removed from the NetBackup media catalog, it is also deassigned in the Enterprise Media Manager Database, regardless of the media's prior state (FROZEN, SUSPENDED, and so on).

Changing the expiration can be done on a media ID basis or on an individual backup ID basis. Changing the expiration date of a media ID also causes the expiration date of all backups on the media to be changed. `bpexpdate` also provides options to deassign media from the media catalog if they no longer contain valid backups and to recalculate the expiration date based on the configured or a supplied retention level.

The different formats of the command are described below.

- ◆ `-m`
Changes the expiration date or removes the media ID from the media catalog and associated backups from the NetBackup catalog. A separate expiration date is maintained in the image catalog for each copy of a backup. When this format is used, only the expiration of the copy on the media is affected. If the media ID is removed from the media catalog by specifying a zero date, the media ID is also deassigned in the Enterprise Media Manager Database.
- ◆ `-deassignempty`
Searches the catalog for removable media that no longer contain valid backups, removes it from the media catalog, and deassigns the media IDs in the Media Manager catalog. The media is then available to be used again. You can use the NetBackup Images on Media report to determine if there are assigned media that no longer contain valid backups.
- ◆ `-backupid`
Changes the expiration of a single backup. If the date is zero, the backup is removed from the image catalog. If the backup is on removable media and the expiration date given by the `-d` option is greater than the current expiration of the media ID, the expiration date of the media ID in the media catalog is also changed. The change affects all copies of a backup, unless the `-copy` option is used. The `-copy` option causes only the specified copy to be affected.
- ◆ `-recalculate`
Allows the expiration date of backups to be changed based on the specified retention level or you can specify a new expiration date. When the expiration is changed according to retention level, the new date is calculated based on the creation date of the backup plus the value of the retention level. The expiration can be changed for a single backup, or for all backups for a particular client, policy, or schedule type.

If the backup is on removable media, the expiration date of the media ID in the media catalog is changed, providing the expiration date on this command is greater than the current expiration of the media ID.

This command can be executed by any authorized users. For more information about NetBackup authorization, refer to "Enhanced Authorization and Authentication" in the *NetBackup System Administrator's Guide*.

OPTIONS

- `-client name`
Specifies the client name for the `-backupid` and `-recalculate` operations.



For the `backupid` operation, this option causes NetBackup to first search for the backup ID for the specified client, which is useful if the client name has changed.

For the `recalculate` operation, this option causes NetBackup to recalculate the expiration date based on the retention level for all the specified client backups.

`-copy number`

Expires or changes the expiration date of the specified copy number and is valid only with the `-backupid` and `-recalculate` options. Valid values are 1 through 10.

If the primary copy is expired, the other copy becomes the primary copy. If this option is not specified, the expiration affects both copies of the backup.

`-d date`

Specifies the expiration date and time. *date* can be any one of the following:

mm/dd/yy hh:mm:ss

or

0

or

infinity

If 0 is specified, the backup or media is expired immediately. If *infinity* is specified the backup is never expired.

`-deassignempty`

Expires removable media from the media catalog when that media no longer contains valid backups and also deassigns the media ID in the Media Manager catalog.

`-force`

Prior to running the specified operation, `bpexpdate` queries before starting the operation. This option forces `bpexpdate` to carry out the operation without querying the user.

`-host name`

Note For NetBackup Server this option is not required because there is only one server (the master), so if you do use the option specify the host name of that server.

Specifies the host name of the server where the media catalog resides. This option is required only if the master has remote media servers and the volume was not written on the server where you run the `bpexpdate`

command. In this case, the media ID is in the NetBackup media catalog on the server where the media was written and you must specify the name of that server on the `bpexpdate` command.

For example, assume you have a master server named `whale` and a media server named `eel`. You run the following `bpexpdate` command on `whale` in order to manually remove media ID `BU0001` from the media catalog, and all corresponding backups from the image catalog:

```
bpexpdate -m BU0001 -d 0 -host eel
```

You can use the NetBackup Media List report to determine which server's media catalog has the volume.

`-m media_id`

Specifies the media ID that is affected by the expiration date change. The expiration dates of the backups on the media ID are also changed. The `-d` option must be included with this option.

This option can also be used when the `-deassignempty` option is specified to check if valid backups exist on this particular media ID. In this case, do not include the `-d` option.

The media ID must be six or less characters and must be in the NetBackup media catalog.

`-M master_server, . . . , master_server`

Specifies the master server that manages the media catalog that has the media ID. If this option is not specified, the default is one of the following:

For NetBackup Server:

NetBackup Server supports only one server (the master) with no remote media servers. Therefore, the default in this case is always the master server where you run the command.

For NetBackup Enterprise Server:

If the command is run on a master server, then that server is the default.

If the command is run on a media server that is not the master, then the master for that media server is the default.

`-policy name`

Specifies the policy name and is valid with the `-recalculate` option. When specified, the expiration is recalculated based on the retention level for all backups created in this policy.



-recalculate

Recalculates the expiration of backups based on the retention level or you can specify a new expiration date. Other options can be included in order to change the expiration for a single backup, or for all backups for a specific client name, policy name, or schedule type. Either the `-d` or `-ret` option must be specified with this option.

-ret *retention_level*

Specifies the retention level to use when recalculating expiration dates and is valid with the `-recalculate` option. Levels range from 0 to 24. The new expiration date is determined by adding the configured retention level value to the backup's creation date. Either the `-backupid` or `-policy` option must be specified with this option.

-sched *type*

Specifies the schedule type and is valid with the `-recalculate` option. When specified, the expiration is recalculated based on the retention level for all backups created with this schedule type. Enter a numeric value for type as follows:

0 = Full

1 = Differential Incremental

2 = User Backup

3 = User Archive

4 = Cumulative Incremental

The `-policy` option must be specified with `-sched`.

NOTES

The format that you must use for date and time values in NetBackup commands varies according to your locale setting.

If you are uncertain of the NetBackup command requirements for your locale, enter the command with the `-help` option and check the USAGE. For example, the following is the output for the `-d` option:

```
-d <mm/dd/yyyy HH:MM:SS | 0 | infinity>
```

Notice the month/day/year and hours:minutes:seconds requirements. These are for a locale setting of C and can be different for other locales. See the `locale(1)` man page for detailed information.

Some options in large environments can take a significant amount of time to complete. Changes that cause backups or media to expire are irrevocable; importing backups and (or) recovering previous versions of the catalogs can be required if mistakes are made using this command.

EXAMPLES

Example 1

The following command, run on the master server, removes media ID BU0002 from the media catalog, and deassigns the media ID in the Media Manager catalog. It also expires associated image records in the image catalog.

```
bpexpdate -m BU0002 -d 0
```

Example 2

The following command changes the expiration of copy 2 of backupid eel_0904219764. The expiration of copy 1 of the backup is not affected.

```
bpexpdate -backupid eel_0904219764 -d 12/20/2003 08:00:00 -copy 2
```

Example 3

The following command removes the backup from the image catalog. Since the `-copy` option is not specified, all copies are removed.

```
bpexpdate -backupid eel_0904219764 -d 0
```

Example 4

The following command checks for all media in host cat's media catalog that are still assigned but no longer contain valid backups. If any such media are found, the command removes them from the media catalog and deassigns them in the Media Manager catalog.

```
bpexpdate -deassignempty -host cat
```

FILES

```
install_path\NetBackup\logs\admin\*
```

```
install_path\NetBackup\db\media\*
```

```
install_path\NetBackup\db\images\*
```



bpfis

NAME

bpfis - creates or deletes a snapshot, or returns information about existing snapshots.

SYNOPSIS

```
install_path\bin\bpfis create [-rhost host] [-id id] [-v] [-V]
    [-owner owner] [-help] -fim
    fim_name[:option=value,option=value, ...] file1 [file2
    ...]

install_path\bin\bpfis delete [-force] -id id

install_path\bin\bpfis query [-id id]
```

DESCRIPTION

The `bpfis` command can create, delete, or query snapshots of a client system (filesystem or volume).

Note To store the image on tape or other media requires running a separate backup job.

For more detailed examples and procedures for using `bpfis`, refer to the *NetBackup Advanced Client System Administrator's Guide*.

You must have root privileges to execute this command.

OPTION

`-rhost`

The remote host or alternate client on which the snapshot is made accessible. The default is the local host. `-rhost` can be used with the `FlashSnap` method only.

`-id`

For `bpfis create`, this is a user-defined snapshot identifier. The default id is a time stamp showing when the image was created.

For `bpfis delete`, this designates the ID of the snapshot to be deleted. For `bpfis query`, this is the ID of the snapshot for which to return information.

`-v -V`

Indicates verbosity levels in the log files. `-V` is a higher level of verbosity than `-v`. Default is non-verbose.

`-owner`

owner of this snapshot (default is `GENERIC`).

- `-help`
Displays bpfis usage statement.
- `-fim fim_name[:option=value,option=value, ...]`
This is a required parameter. It specifies the snapshot method to use when creating the image. Valid methods are: FlashSnap, NAS_Snapshot, VSP, VSS, vxvm.
Select the method based on the type of data and hardware used by the client. Refer to the *NetBackup Advanced Client System Administrator's Guide* for details on each of these snapshot methods.
The available options depend on the snapshot method. For a list of the options, refer to the <opt_params> area of each snapshot method (FIM) listed in the *install_path*\vfm.conf file. For example, under the BusinessCopy snapshot method, the first optional parameter is listed as follows:

```
keep_fi=%b[0]#Keep frozen image after backup
```

where `keep_fi=` is the option, and the value is boolean (0 for no, 1 for yes). For an example of the `bpfis` command using `option=value`, refer to `bpfis` in the *NetBackup Advanced Client System Administrator's Guide*.
- `file1 file2`
Specify the path of the filesystem or volume from which the snapshot is to be made.
- `-force`
Specifies force delete.

EXAMPLES

◆ Example 1

To create a snapshot of `E:\` on `hostB` using the FlashSnap method on a Windows client:

```
install_path\bin\bpfis create -rhost hostB -fim FlashSnap E:\
```

Sample output:

```
INF - BACKUP START 26808
INF - FIS_ID=1034037338
INF - REMAP FILE BACKUP E:\ USING <GUID>
OPTIONS:ALT_PATH_PREFIX=/tmp/_vrts_frzn_img_26808,FITYPE=MIRROR
,MNTPOINT=E:\,FSTYPE=NTFS
INF - EXIT STATUS 0: the requested operation was successfully
completed
```

Example 2



To obtain information about a particular snapshot on the local host:

```
install_path\bin\bpfis query -id 1034037338
```

Sample output (on a Windows client):

```
INF - BACKUP START 26838
INF - Frozen image host : ricochet
INF - Frozen image owner: GENERIC
INF - Time created      : Mon Oct  7 19:35:38 2002
INF - REMAP FILE BACKUP E:\ USING <GUID>
OPTIONS:ALT_PATH_PREFIX=/tmp/_vrts_frzn_img_26808,FITYPE=MIRROR
,MNTPOINT=E:\,FSTYPE=NTFS
INF - EXIT STATUS 0: the requested operation was successfully
completed
```

Example 3

To delete a snapshot on the local host:

```
install_path\bin\bpfis delete -id 1034037338
```

Sample output:

```
INF - BACKUP START 26839
INF - EXIT STATUS 0: the requested operation was successfully
completed
```

bpgetconfig

NAME

bpgetconfig - A helper program for `backuptrace` and `restoretrace` to obtain configuration information.

SYNOPSIS

```
install_path\bin\admincmd\bpgetconfig -M master [-x|X]
    [config_item ...]

install_path\bin\admincmd\bpgetconfig [-u|h] [-x|X]
    [config_item ...]

install_path\bin\admincmd\bpgetconfig -g server [-L|U|l]

install_path\bin\admincmd\bpgetconfig -s server [-L|U|l]

install_path\bin\admincmd\bpgetconfig -H [config_item]
```

DESCRIPTION

The `bpgetconfig` command can be used as a standalone program or as a helper program for the `backuptrace` and `restoretrace` commands to obtain configuration information. This command is available for all NetBackup server platforms. This command is used to display the configuration information of a specified server in various formats.

You must have administrator privileges to execute this command.

OPTIONS

<code>-M <i>master</i></code>	Specifies the master server (<i>master</i>) whose host configuration will be displayed.
<code>-h</code>	Displays the default, local host configuration.
<code>-u</code>	Displays the current user configuration.
<code>-x</code>	Excludes items not explicitly listed in the configuration.
<code>-X</code>	Lists all configuration items by default. The <code>-x</code> and <code>-X</code> options may be combined with the <code>-M</code> , <code>-h</code> , and <code>-u</code> options. The <code>-x</code> and <code>-X</code> options have no effect if one or more configuration items are specified on the command line.



"config_item" ...

If the *config_item* is specified, it displays on the specified configuration items.

-g server

This option selects the host server (*server*) for which general Backup Exec and NetBackup information will be displayed. Currently:

Master or Client

NetBackup Client Platform

NetBackup Client Protocol Level

Product Type (for Backup Exec if installed, else NetBackup)

Version Name (for Backup Exec if installed, else NetBackup)

Version Number (for Backup Exec if installed, else NetBackup)

Installed Path for NetBackup Bin (null if Backup Exec installed)

Installed OS for host server

-s server

This option selects the host server (*server*) for which general NetBackup specific system information will be displayed. Currently:

Master or Client

NetBackup Client Platform

NetBackup Client Protocol Level

Product Type (NetBackup)

Version Name

Version Number

Installed Path for NetBackup Bin

Installed OS for host server

-L

Displays a long user readable listing.

-U

Displays a brief user readable listing (default).

-l

Displays a compact machine readable listing. The *-L*, *-U*, and *-l* options may be used with the *-g* or *-s* option.

-H

Displays the help screen.

-H config_item

Displays the valid configuration items.

bpgetdebuglog

NAME

bpgetdebuglog - helper program for backuptrace and restoretrace. It can also be useful as a standalone program. It is available for all NetBackup server platforms.

SYNOPSIS

```
install_path\NetBackup\bin\admincmd\bpgetdebuglogremote_machine  
[remote_program mmddy]
```

DESCRIPTION

If all three arguments are specified, bpgetdebuglog will print to standard output the contents of the specified debug log file. If only the *remote_machine* is specified, bpgetdebuglog will print to standard output the number of seconds of clock drift between the local machine and the remote machine. A positive number means that the local machine is ahead of the remote machine. A negative number means that the remote machine is ahead of the local machine.

bpgetdebuglog must be in the *install_path*\NetBackup\bin\admincmd directory in order to be used by backuptrace and restoretrace.

You must have privileges to execute this command.

OPTIONS

<i>remote_machine</i>	name of the remote server
<i>remote_program</i>	name of the debug log directory on the remote server
<i>mmddy</i>	The day stamp used to identify the log file (log.mmddy for UNIX, mmddy.log for Windows) to be read.

EXAMPLES

```
C:\Program Files\VERITAS\NetBackup\bin\admincmd\bpgetdebuglog  
peony
```



bpimage

NAME

bpimage - Enables users to perform different functions to stored images in a database.

SYNOPSIS

```
install_path\NetBackup\bin\bpimage [-de] compress [-allclients |  
-client name]  
  
install_path\NetBackup\bin\bpimage [-M  
  master_server, ..., master_server]  
  
install_path\NetBackup\bin\bpimage -npc copy # -backupid  
  backupid [-client name]  
  
install_path\NetBackup\bin\bpimage -newserver newserver_name  
  [-oldserver oldserver_name] [-id id]  
  
install_path\NetBackup\bin\bpimage -deletecopy # -backupid  
  backupid  
  
install_path\NetBackup\bin\bpimage -testlock # -backupid  
  backupid  
  
install_path\NetBackup\bin\bpimage -prunetir [-allclients |  
-client name] -cleanup  
  
install_path\NetBackup\bin\bpimage -create_image_list -client  
  name  
  
install_path\NetBackup\bin\bpimage -index index_number -client  
  name  
  
install_path\NetBackup\bin\bpimage -wff path_bytes -backupid  
  backupid [-client name]  
  
install_path\NetBackup\bin\bpimage -update [-secinfo 0|1 |  
-rfile 0|1 | -filesyonly 0|1 | -numfiles number |  
-keyword keyword_phrase | -objdesc string] [-client  
  name -policy name -t type -d mm/dd/yyyy HH:MM:SS] [-id  
  backup_id]
```

DESCRIPTION

This command can be use to do many different functions to images stored in a database. Some of the functions that a user can use bpimage to perform are:

- ◆ Compress and de-compress stored images
- ◆ Remove existing images from the database

- ◆ Test the locking capability on an image
- ◆ Create an image list file that can be used to qualify an image
- ◆ Index a client.

OPTIONS

The following options represent the criteria that determine which images or media are selected for the report. Where images are discussed in these options, media can be substituted if this is a media report.

- allclients
Specifies the selection of all NetBackup clients that have already been backed up on the system.
- backupid *backup_id*
Specifies a backup ID to use for finding applicable images.
- client *name*
Specifies a client name to use for finding backups or archives to list. This name must be as it appears in the NetBackup catalog.
- cleanup
This command deletes expired images, compresses the images that are scheduled to be compressed, and prunes the TIR information from the images specified.
Note: This command enables a user to manually accomplish the same tasks that are performed by the scheduler on a regular basis. It can be used when there is not enough time to wait for the scheduler to perform these tasks.
- create_image_list
Creates an *image_list* file and an *image_info* file that can be used quickly to qualify an image.
- d *date*
Specifies the start and end *date range* for the listing.
-d specifies a start date and time for the listing. The resulting list shows only images in backups or archives that occurred at or after the specified date and time. The format of *date* depends on the user's locale setting. See the NOTES section for more information. For the C locale, the date syntax is as follows:
mm/dd/yy [hh[:mm[:ss]]]
The valid range of dates is from 01/01/1970 00:00:00 to 01/19/2038 03:14:07. The default is the previous midnight.



- [de] compress
This command initiates an action to compress or de-compress a specified client, or all clients.
- deletecopy #
This command removes images that are specified by the copy number (#) and the *backup_id*.
- filesyonly 0/1
Depending on the setting, this option limits bpimage to querying only the local file system.
- id *backup_id*
Specifies the backup ID when using the update command.
- index *n*
This command indexes the database. The *n* variable is the index level and has a range from 1 to 9. A value of 9 provides the most optimum index. This applies only to ASCII.
- keyword "*keyword_phrase*"
Specifies a keyword phrase for NetBackup to use when searching. The phrase must match the one that has been previously associated with the image.
- objdesc *string*
This command specifies the object description string of the Informix client type when using the -update command.
- newserver *name* | -oldserver *name*
Specifies the name (new or old) of a NetBackup server.
- npc *copy #*
This command sets the specified image as the primary image based on the copy number of the image.
- numfiles *number*
Specifies the number of files when using the -update command.
- M *master_server, ...*
A list of alternative master servers. This is a comma-delimited list of hostnames. If this option is present, each master server in the list runs the bpimage command. If an error occurs for any master server, processing stops at that point.

The report is the composite of the information returned by all the master servers in this list. bpimage queries each of these master servers. The master server returns image or media information from the image catalogs. Each master server must allow access by the system issuing the bpimage command.

The default is the master server for the system running bpimage.

- policy *name*
Searches for backups to import in the specified policy. The default is all policies.
- prunetir
This command prunes the True Image Restore (TIR) information from the specified clients. The default is all clients.
- rfile *0/1*
Specifies the use of the Restore file when using the -update command.
- secinfo *0/1*
Specifies the use of Extended Security information on the NetWare client type.
- t *type*
Specifies a policy type. By default, bpimage searches for all policy types. *type* is one of the following character strings:
Informix-On-BAR
MS-Exchange-Server
MS-SQL-Server
MS-Windows
NetWare
Oracle
OS/2
Standard
Sybase
NDMP

Note The following policy types apply only to NetBackup Enterprise Server.

AFS
DataTools-SQL-BackTrack
DB2
FlashBackup
SAP
Split-Mirror

- update
This command updates an image based on the chosen parameter.



`-wff path bytes`

This command writes the specified Files file.

bpimagelist

NAME

`bpimagelist` - Queries the NetBackup catalog and produces a report on the status of the NetBackup images.

SYNOPSIS

```
install_path\NetBackup\bin\bpimagelist -l | -L | -U | -idonly [-d
  date | -hoursago hours] [-e date] [-keyword "keyword
  phrase"] [-client client_name] [-backupid backup_id]
  [-option option_name] [-policy policy_name] [-pt
  policy_type] [-rl retention_level] [-sl sched_label] [-st
  sched_type] [-M master_server[, ...,]] [-v]
```

```
install_path\NetBackup\bin\bpimagelist [-media] [-l | -L | -U |
  -idonly] [-d date | -hoursago hours] [-e date] [-server
  server_name] [-keyword "keyword phrase"] [-client
  client_name] [-option option_name] [-policy policy_name]
  [-pt policy_type] [-rl retention_level] [-sl sched_label] [-st
  sched_type] [-M master_server[, ...,]] [-v]
```

DESCRIPTION

`bpimagelist` uses a specified format to report the images that match the attributes that are sent from the commands options. `bpimagelist` lists NetBackup catalog image information. The `bpimagelist` command writes its debug log information to the `install_path\NetBackup\logs\admin` directory. You can use the information in this directory for troubleshooting.

The output of `bpimagelist` goes to standard output.

This command can be executed by authorized users. For more information about NetBackup authorization, refer to the *NetBackup System Administrator's Guide*.

OPTIONS

Report-type options

`-media`

Specifies that the listing reports on removable media satisfying a set of criteria. If `-media` is not present, the report is on images, not media, satisfying a set of criteria.

Report-format options:



- U Report in User mode. The report is formatted, it includes a banner listing the column titles, and the status is a descriptive term instead of a number.
- L Report in Long mode. For instance, for the Media List report, the report lists the information for each media ID as a series of *attribute = value* pairs, and the density value is provided as both a descriptive term and a number.
- l Report in Short mode. This produces a terse listing. This option is useful for scripts or programs that rework the listing contents into a customized report format.
- idonly Produce an abbreviated listing. For an image listing, the listing contains the creation time, backup ID, and schedule type of each image. For instance, if the listing criterion is a window of time image listing contains, for each image created in this window, only the creation time, backup ID, and schedule type of the image.
For a media listing, the listing contains only the applicable media IDs. For instance, if the listing criterion is a window of time, the listing contains only the media IDs written in this window.

The following options represent the criteria that determine which images or media are selected for the report. Where images are discussed in these options, media can be substituted if this is a media report.

- hoursago *hours* Include images written up to this many hours ago. This is equivalent to specifying a start time (-d) of the current time minus *hours*. *hours* must be 1 or greater.
- option *option_name* Specifies a criterion for finding images to list. *option_name* is one of the following character strings, in either upper-or lower-case:
 - INCLUDE_PRE_IMPORT - Include images that have completed phase one of an import. Refer to the `bpimport` command description or the *NetBackup System Administrator's Guide* for more information.
 - ONLY_PRE_IMPORT - Include only images that have completed phase one of an import.
 - INCLUDE_TIR - Include images that were created by true-image-recovery backups. Refer to the `bpccpinfo` command description or the *NetBackup System Administrator's Guide* for more information on this topic.

ONLY_TIR - Include only images that were created by true-image-recovery backups.

The default is that there are no restrictions on the images selected.

- backupid *backup_id*
Specifies a backup ID to use for finding applicable images (applies only to image listing).
- client *client_name*
Specifies a client name to use for finding backups or archives to list. This name must be as it appears in the NetBackup catalog. By default, bpimagelist searches for all clients.
- server *server_name*
Specifies the name of a NetBackup server or ALL. This option applies to the media report (-media). If -server specifies a server name, the media in the report are only the media which reside on that server and which also satisfy the other criteria specified by bpimagelist. For instance, if -hoursago 2 is specified, the media must contain an image created in the past two hours.
The query goes to the image catalog residing on the local master server. The master server must allow access by the system running bpimagelist.
The default is to report all media in the image catalog on the local master server. This is equivalent to specifying -server ALL.
- M *master_server, . . .*
A list of alternative master servers. This is a comma-delimited list of hostnames. If this option is present, each master server in the list runs the bpimagelist command. If an error occurs for any master server, processing stops at that point.
The report is the composite of the information returned by all the master servers in this list. bpimagelist queries each of these master servers. The master server returns image or media information from the image catalogs. Each master server must allow access by the system issuing the bpimagelist command.
The default is the master server for the system running bpimagelist.
- pt *policy_type*
Specifies a policy type. By default, bpimagelist searches for all policy types. *policy_type* is one of the following character strings:
Informix-On-BAR
MS-Exchange-Server
MS-SQL-Server
MS-Windows



NetWare
Oracle
OS/2
Standard
Sybase
NDMP

Note The following policy types apply only to NetBackup Enterprise Server.

AFS
DataTools-SQL-BackTrack
DB2
FlashBackup
SAP
Split-Mirror

-rl *retention_level*

Specifies the *retention_level*. The *retention_level* is an integer between 0 and 24. By default, bpimagelist searches for all retention levels.

-d *date*

-e *date*

Specifies the start and end *date* range for the listing.

-d specifies a start date and time for the listing. The resulting list shows only images in backups or archives that occurred at or after the specified date and time. The format of *date* depends on the user's locale setting. See the NOTES section for more information. For the C locale, the date syntax is as follows:

mm/dd/yy [hh[:mm[:ss]]]

The valid range of dates is from 01/01/1970 00:00:00 to 01/19/2038 03:14:07. The default is the previous midnight.

-e specifies an end date and time for the listing.

The resulting list shows only files from backups or archives that occurred at or before the specified date and time. Use the same format as for the start date. The default is the current date and time.

-keyword "*keyword_phrase*"

Specifies a keyword phrase for NetBackup to use when searching. The phrase must match the one that has been previously associated with the image. For instance, the **-k** option of the `bpbackup` or `bparchive` command associates a keyword with the image when the image is created.

`-sl sched_label`
 Specifies a schedule label for the image selection. The default is all schedules.

`-st sched_type`
 Specifies a schedule type for the image selection. The default is any schedule type. Valid values are:

FULL (full backup)

INCR (differential-incremental backup)

CINC (cumulative-incremental backup)

UBAK (user backup)

UARC (user archive)

NOT_ARCHIVE (all backups except user archive)

`-policy name`

Searches for backups to import in the specified policy. The default is all policies.

Other options:

`-help`

Prints a command line usage message when it is the only option on the command line.

`-v`

Selects verbose mode. This option causes `bpimagelist` to log additional information for debugging purposes. The information goes into the NetBackup administration daily debug log. This option is meaningful only when NetBackup has debug logging enabled (`install_path\NetBackup\logs\admin` directory defined).

EXAMPLES

Example 1

The first example shows the last time each media ID available to a server had a backup image written today:

```
bpimagelist -media -U
```

Media ID	Last Written	Server
-----	-----	-----
IBM000	01/06/2003 01:06	hatt
AEK800	01/06/2003 03:01	hatt
C0015	01/06/2003 02:01	hatt

Example 2



The following example shows the last time the media IDs available to the server had a backup image written during the specified time:

```
bpimagelist -media -d 01/05/2003 18:00:46 -e 01/06/2003 23:59:59
-U
```

Media ID	Last Written	Server
IBM000	01/06/2003 01:06	hatt
AEK800	01/06/2003 03:01	hatt
C0015	01/06/2003 02:01	hatt
143191	01/05/2003 23:00	hatt

The following example lists all images written today:

```
C:\VERITAS\NetBackup\bin\admincmd\bpimagelist -U
Backed Up      Expires      Files      KB C Sched Type Policy
-----
01/27/2003 01:08 02/03/2003      1122 202624 N Full Backup
3590Grau
01/27/2003 01:01 02/03/2003      1122 202624 N Full Backup
IBM3590policy
01/27/2003 03:01 02/03/2003      531 1055104 N Full Backup
DELLpolicy
01/27/2003 02:01 02/03/2003      961 31776 N Full Backup
QUALpolicy
01/27/2003 01:08 02/03/2003      2063 603328 N Full Backup
IBM3590policy
01/27/2003 01:01 02/03/2003      2063 603328 N Full Backup
3590Grau
```

Example 3

The following example lists media written information for 01/05/2003:

```
bpimagelist -media -d 01/05/2003 -e 01/05/2003 -U
Media ID      Last Written      Server
-----
IBM000        01/05/2003 01:13  hatt
143191        01/05/2003 23:00  hatt
AEK800        01/05/2003 03:07  hatt
C0015         01/05/2003 02:06  hatt
```

FILES

```
install_path\NetBackup\logs\admin\log.mmdyy
install_path\NetBackup\db\images
```



SEE ALSO

bparchive, bpbackup, bprestore



bpimmedia

NAME

bpimmedia - Display information about the NetBackup images on media.

SYNOPSIS

```
install_path\NetBackup\bin\admincmd\bpimmedia [-l | -L]
          [-policy policy_name] [-client client_name] [-d date] [-e
          date] [-mediaid media_id | path_name] [-mtype image_type]
          [-option option_name] [-rl retlevel] [-sl sched_label] [-t
          sched_type] [-verbose] [-M master_server,...]
```

```
install_path\NetBackup\bin\admincmd\bpimmedia -spangroups
          [-mediaid media_id] [-U] [-cn copy_number]
```

DESCRIPTION

bpimmedia queries the NetBackup image catalog and reports on the NetBackup images. bpimmedia produces two reports:

- ◆ An Images-on-Media report
- ◆ A Spangroups report

The first form of bpimmedia in the SYNOPSIS displays a set of NetBackup images in the Images-on-Media report. The Images-on-Media report lists the contents of media as recorded in the NetBackup image catalog. You can generate this report for any medium (including disk), filtering the report contents according to client, media ID or path, and so on. Refer to the section on NetBackup Reports in the *NetBackup System Administrator's Guide* for more information, including details about the fields in the Images on Media report. The Images on Media report does not show information for media used in backups of the NetBackup catalogs.

The second form of bpimmedia in the SYNOPSIS uses the -spangroups option to list media id groups that are *related* because images span from one volume to another. The output lists, for each media server in the cluster, the media ids that have spanning images. The -spangroups form of bpimmedia must be run on the NetBackup master server that administers the volumes. (See the Spanning Media topic in the *NetBackup System Administrator's Guide*.) Only removable media types are processed.

bpimmedia sends its error messages to stderr. bpimmedia sends a log of its activity to the NetBackup admin log file for the current day.

This command can be executed by authorized users. For more information about NetBackup authorization, refer to "Enhanced Authorization and Authentication" in the *NetBackup System Administrator's Guide*.

OPTIONS

- policy *policy_name*
Policy name. By default, bpimmedia searches for images for all policies.
- client *client_name*
Client name. This name must be as it appears in the NetBackup catalog. By default, bpimmedia searches for all clients.
- cn *copy_number*
Copy number (1 or 2) of a backup ID. The default is copy 1. This option is used only in combination with `-spangroups`.
- d *date*
- e *date*
The start and end date. These specify the time range during which an image must have been created to be included in the report.
-d specifies a start date and time. The resulting list shows only images from backups or archives that occurred at or after the specified date and time. The format of *date* depends on the user's locale setting. See the NOTES section for more information. For the C locale, the date syntax is as follows:
mm/dd/yyyy [hh[:mm[:ss]]]
The valid range of dates is from 01/01/1970 00:00:00 to 01/19/2038 03:14:07. The default is the previous midnight.
-e specifies an end date and time. The resulting list shows only images from backups or archives that occurred at or before the specified date and time. Use the same format as for the start date. The default is the current date and time.
- help
Prints a command line usage message when `-help` is the only option on the command line.
- L
The list type is long. See the section DISPLAY FORMATS for more detail.
- l
The list type is short. This is the default if the command line has no list-type option (for instance, if you enter bpimmedia and a carriage return). See the section DISPLAY FORMATS for more detail.
- M *master_server,...*
A list of alternative master servers. This is a comma-separated list of hostnames. If this option is present, the command is run on each of the master servers in this list. The master servers must allow access by the



system issuing the command. If an error occurs for any master server, processing stops at that point in the list. The default is the master server for the system where the command is entered.

`-mediaid` *media_id* | *pathname*

This is either a VSN or an absolute pathname. If the media ID is a VSN, it is a one- to six-character string. If the media ID is a pathname, it is the absolute pathname of the filesystem for a disk storage unit.

When `-mediaid` is specified, the Images-on-Media report displays only images stored on this VSN or pathname. By default, the report displays images stored on all media IDs and pathnames.

For the Spangroups report (`-spangroups`), `-mediaid` can only be followed by a VSN. If `-mediaid` is omitted when `-spangroups` is present, `bpimmedia` displays all media in all spanning groups.

`-mtype` *image_type*

Image type. The defined values, and their interpretations, are

0 = Regular backup (scheduled or user-directed backup)

1 = Pre-imported backup (phase 1 completed)

2 = Imported backup

`-option` *option_name*

Specifies a criterion for finding images to list. *option_name* is one of the following character strings, in either upper- or lower-case:

`INCLUDE_PRE_IMPORT` - Include images that have completed phase one of an import. Refer to the `bpimport` command description or the *NetBackup System Administrator's Guide* for more information.

`ONLY_PRE_IMPORT` - Include only images that have completed phase one of an import.

The default is `INCLUDE_PRE_IMPORT`.

`-r1` *retention_level*

The *retention_level*. The *retention_level* is an integer between 0 and 24. By default, `bpimmedia` searches for all retention levels.

`-s1` *sched_label*

The schedule label. By default, `bpimmedia` searches for images for all schedule labels.

`-spangroups`

Specifies that `bpimmedia` should create a Spangroups report. The default is to create an Images-on-Media report.

`-t` *sched_type*

Specifies a schedule type for the image selection. The default is any schedule type. Valid values, in either upper- or lower-case, are:

FULL (full backup)
 INCR (differential-incremental backup)
 CINC (cumulative-incremental backup)
 UBAK (user backup)
 UARC (user archive)

-U

The list type is user. This option is used only in combination with `-spangroups`. See the section DISPLAY FORMATS for more detail.

-verbose

Select verbose mode for logging. This is only meaningful when running with debug logging turned on (the `install_path\NetBackup\logs\admin` directory is defined).

DISPLAY FORMATS

IMAGES-ON-MEDIA REPORT

For the Images-on-Media report, there are two formats, short (`-l` or default) and long (`-L`).

Note, if you want to process and use the output of `bpimmedia`, VERITAS recommends that you use the `-l` option. The output of `bpimmedia` using the `-L` or `-U` options may be truncated for the Backup-ID, Policy, and Host columns. The `-L` or `-U` options are useful when you, for example, want to obtain a quick and more readable view of the NetBackup images on media.

◆ Long Display Format (`-L`)

If the command line contains `-L`, the display format is long. The `-L` display format contains a multi-line entry for each backup image. The number of lines for an entry is $n+1$, where n is the number of fragments for the image. The fields for an entry are listed in the table below. The first line of the entry contains the fields Backup_ID...Expires. Then, for each fragment in the image, there is a line containing the fields Copy_Media ID. The report has a two-line header. The first header line lists the field names for line 1 of each entry. The second header line lists the field names for the lines that contain fragment information.

See `bpduplicate` for more information on the terms *copy number* and *primary copy*.

Fields and meanings for the `-L` format are as follows:

Line 1

Backup-ID - Unique identifier for the backup that produced this image

Policy - Policy name (may be truncated if long)

Type - Schedule type (FULL, etc.)



RL - Retention level (0..24)

Files - Number of files in the backup

C - Compression (Y or N)

E - Encryption (Y or N)

T - Image type

R is Regular (scheduled or user-directed backup)

P is Pre-imported backup (phase 1 completed)

I is Imported backup

PC - Primary copy, 1 or 2. Designates which copy of the backup NetBackup chooses when restoring.

Expires - Expiration date of the first copy to expire, which is indicated by the Expires field of the fragment which is described below

Line 2_n+1

Copy - Copy number of this fragment

Frag - Fragment number, or IDX for a true-image-restore (TIR) fragment

KB - Size of the fragment, in kilobytes. This value does not include the size of tape headers between backups. A fragment size of 0 is possible for a multiplexed backup.

Type - Media type (Rmed for removable media; Disk otherwise)

Density - Density of the device that produced the backup (applies only to removable media)

Fnum - File number; this is the n-th backup on this medium (applies only to removable media)

Off - The byte offset on the medium where the backup begins (applies only to optical disk; ignore this value for tapes and magnetic disk)

Host - Server whose catalog contains this image

DWO - Device Written On; device where the backup was written. The DWO matches the drive index as configured in Media Manager (applies only to removable media).

MPX - Flag indicating whether this copy is multiplexed, Y or N (applies only when fragment number is 1)

Expires - Expiration date of this copy (applies only when fragment number is 1)

MediaID - Media ID or absolute path where the image is stored

Example of Long display format:

```
bpimmedia -L -policy regr1_gava -t FULL
Backup-ID          Policy          Type  RL  Files  C  E  T  PC  Expires
Copy Frag  KB Type Density FNum Off Host DWO MPX Expires MediaID
-----
gava_0949949902 regr1_guav FULLL  3   25  N  N  R  1  12:58 03/09/2003
 1   1   256 RMed dlt    13   0  plim 0   Y  12:58 03/09/2002 A00002
```

◆ **Short Display Format (-l)**

If the `bpconfig` command line contains `-l` or contains no `list-format` option, the display format is short. This produces a terse listing. This option can be useful for scripts or programs that rework the listing into a customized report format. The `-l` display format contains a multi-line entry for each backup image. The number of lines for an entry is $n+1$, where n is the number of fragments for the image. The layout of an entry is a first line, containing information about the image, followed by a line containing information about each fragment of the image. The attributes appear in the following order, separated by blanks.

Fields and Meanings for the `-l` format are as follows:

Line 1

IMAGE - Identifies the start of an image entry

Client - Client for the backup that produced this image

Version - Image-version level

Backup-ID - Unique identifier for the backup that produced this image

Policy - Policy name

Policy type - 0 denotes Standard, etc. Run `bpimmedia -L` or refer to `bpbackup (1M)` to interpret the policy-type value as a policy-type name.

Schedule - Schedule name

Type - Schedule type (full, etc.)

RL - Retention level (0..24)

Files - Number of files

Expires - Expiration date of the first copy to expire, which is indicated by the Expires field of the fragment which is described below (system time); 0 denotes an image "in progress" or failed.

C - Compression; 1 (yes) or 0(no)

E - Encryption; 1 (yes) or 0(no)

Line 2_ $n+1$



FRAG - Identifies a fragment line in an image entry

Copy - Copy number of this fragment

Frag - Fragment number, or -1 for a TIR fragment

KB - Size of the fragment, in kilobytes

(Internal) Internal value, not documented

Type - Media type (2 for removable media; 0 for disk)

Density - Density value (applies only to removable media) Run `bpimmedia -L` or `bpmedialist -m list -L -m mediaid` to interpret the density value as a density label.

Fnum - File number; this is the n-th backup on this medium (applies only to removable media)

MediaID - Media ID or absolute path where the image is stored

Host - Server whose catalog contains this image

Block size - Number of kilobytes per block for this medium

Off - Offset

Media dateTime this medium was allocated (system time)

DWO - Device Written On (applies only to removable media)

(Internal) - Internal value, not documented

(Internal) - Internal value, not documented

Expires - Expiration date of this copy in system time (applies only when fragment number is 1)

MPX - Flag indicating whether this copy is multiplexed, 1(yes) or 0(no) (applies only when fragment number is 1)

Example of the short display format:

```
bpimmedia -l -policy regr1_gava -t FULL
IMAGE gava 3 gava_0949949902 regr1_gava 0 full 0 3 25 952628302 0 0
FRAG 1 1 10256 512 2 13 13 A00002 plim 65536 0 949616279 0 0 *NULL* 952628302 1
```

SPANGROUPS REPORT

For the Spangroups report, there are two formats: user (`-U` option) and short (the default). Both formats list, for each server, the server name, and the group data for that server. For each group of media that share spanned backup images, the media Ids are listed. When `-mediaid` appears on the command line, only the server and media group related to that media ID are displayed.

Note, if you want to process and use the output of `bpimmedia`, VERITAS recommends that you use the `-l` option. The output of `bpimmedia` using the `-U` or `-L` options may be truncated for the Backup-ID, Policy, and Host columns. The `-U` or `-L` options are useful when you, for example, want to obtain a quick and more readable view of the NetBackup images on media.

The user (`-U`) display format looks like this:

```
bpimmedia -spangroups -U
```

```
Related media groups containing spanned backup images, server plim:
```

```
Group:
```

```
  A00002  A00003
```

```
Group:
```

```
  400032
```

The short display format looks like this

```
bpimmedia -spangroups
```

```
SERVER plim
```

```
GROUP A00002 A00003
```

```
GROUP 400032
```

NOTES

The format that you must use for date and time values in NetBackup commands varies according to your locale setting.

If you are uncertain of the NetBackup command requirements for your locale, enter the command with the `-help` option and check the USAGE. The following is part of the usage statement for `bpimmedia` that shows the `-d` and `-e` options:

```
[-d mm/dd/yyyy hh:mm:ss] [-e mm/dd/yyyy hh:mm:ss]
```

Notice the month/day/year and hours:minutes:seconds requirements for the `-d` and `-e` options. These are for a locale setting of C and can be different for other locales.

EXAMPLES

Example 1

List the images for policy `c_NDMP`. This request runs on a NetBackup media server. The report is based on the image catalog on the media server's master server, `almond`.

```
bpimmedia -L -policy c_NDMP
```

Backup-ID	Policy	Type	RL	Files	C	E	T	PC	Expires	Copy	Frag	KB	Type	Density	FNum	Off	Host	DWO	MPX	Expires	MediaID	
t_0929653085	c_NDMP	FULL	3	5909	N	N	R	1	15:58	07/18/2004	1	IDX	844	RMed	dlt	2	0	almond	3			CB7514



```
1 1 9136 RMed dlt 1 0 almond 3 N 15:58 07/18/2004 CB7514
```

◆ Example 2

The following example displays the tapes required to restore a particular file. If the bpimmedia command line provides the criteria to identify an individual backup, the output shows which media were used for the backup.

In this case, the command line provides the client, the date of the backup and the schedule type. The output shows that tape A00002 on the server plim contains the backup.

```
bpimmedia -L -client gava -d 2/7/2002 -t UBAK
```

Backup-ID	Policy	Type	RL	Files	C	E	T	PC	Expires	Copy Frag	KB	Type	Density	FNum	Off	Host	DWO	MPX	Expires	MediaID

gava_0949949686 regr1_guav UBAK 3 25 N N R 1 12:54 03/09/2004																				
1	1	10256	RMed	dlt	11	0	plim	0	Y	12:54	03/09/2004	A00002								

Example 3

List, in long format, all the backups in the image catalog on the master server gava.

```
bpimmedia -L -M gava
```

Backup-ID	Policy	Type	RL	Files	C	E	T	PC	Expires	Copy Frag	KB	Type	Density	FNum	Off	Host	DWO	MPX	Expires	MediaID

gava_0949599942 test-policy FULL 1 15 N N R 1 11:45 02/17/2004																				
1	1	224	Disk	-	-	-	gava	-	N	11:45	02/17/20									
/var/qatest/storage_unit//gava_0949599942_C1_F1																				

Example 4

List, in long format, the backups on media ID CB7514.

```
bpimmedia -L -mediaid CB7514
```

Backup-ID	Policy	Type	RL	Files	C	E	T	PC	Expires	Copy Frag	KB	Type	Density	FNum	Off	Host	DWO	MPX	Expires	MediaID

toaster1_0929679294 tort_policy FULL 3 5898 N N R 1 23:14 07/18/2004																				
1	IDX	839	RMed	dlt	4	0	almond	6												CB7514
1	1	27154	RMed	dlt	3	0	almond	6	N	23:14	07/18/2004	CB7514								
toaster1_0929653085 NDMP_policy FULL 3 5909 N N R 1 15:58 07/18/2004																				
1	IDX	844	RMed	dlt	2	0	almond	3												CB7514
1	1	9136	RMed	dlt	1	0	almond	3	N	15:58	07/18/2004	CB7514								

RETURN VALUES

An exit status of 0 means that the command ran successfully.

Any exit status other than 0 means that an error occurred.

If administrative logging is enabled, the exit status is logged in the administrative daily log under the directory *install_path*\NetBackup\logs\admin in the form:

```
bpimmedia: EXIT status = exit status
```

If an error occurred, a diagnostic precedes this message.

FILES

```
install_path\NetBackup\logs\admin\*
```

```
install_path\NetBackup\db\images
```

SEE ALSO

bpbackup, bpduplicate, bpimport



bpimport

NAME

bpimport - Import NetBackup and Backup Exec backups that are expired or are from another NetBackup or Backup Exec server.

SYNOPSIS

```
install_path\NetBackup\bin\admincmd\bpimport -create_db_info
-id media_id [-server name] [-L output_file [-en]]
[-passwd] [-local]

install_path\NetBackup\bin\admincmd\bpimport [-l] [-p] [-pb]
[-PD] [-PM] [-v] [-local] [-client name] [-Bidfile
file_name] [-M master_server] [-st sched_type] [-sl
sched_label] [-L output_file [-en]] [-policy name] [-s
startdate] [-e enddate] [-pt policy_type] [-hoursago hours]
[-cn copy_number] [-backupid backup_id] [-id media_id]
```

DESCRIPTION

The bpimport command allows backups to be imported. This command is useful for importing backups that have expired or are from another NetBackup server.

The import operation consists of two steps:

- ◆ Step 1 is performed with the first form of the command shown above (-create_db_info option) and recreates catalog entries for the backups that are on the specified media.
- ◆ Step 2 is performed with the second form of the command shown above and imports the backups from the media.

The expiration date for imported backups is the current date plus the retention period. For example, if a backup is imported on 14 November 2004 and its retention level is one week, its new expiration date is 21 November 2004.

You can import a backup only if all copies of it are expired. For more information on importing backups, see the *NetBackup System Administrator's Guide*.

This command can be executed by authorized users. For more information about NetBackup authorization, refer to "Enhanced Authorization and Authentication" in the *NetBackup System Administrator's Guide*.

OPTIONS

-backupid *backup_id*
Specifies the backup ID of a single backup to import.

- `-Bidfile` *file_name*
file_name specifies a file that contains a list of backup IDs to be imported. List one backup ID per line in the file. If this option is included, other selection criteria is ignored.
- In addition, the file specified with the `-Bidfile` parameter is removed during the execution of that command line interface (CLI). This happens because the NetBackup GUI's commonly use this parameter and the GUIs expect the command-line interface to remove the temporary file that was used for the `-Bidfile` option upon completion. Direct command-line interface users can also use the option, however it will remove the file.
- `-client` *name*
The host name of the client for which the backups were performed. The default is all clients.
- `-cn` *copy_number*
Specifies the source copy number of the backups to import. Valid values are 1 through 10. The default is all copies.
- `-create_db_info`
This option recreates catalog entries for the backups that are on the specified media. It skips backups that are already in the catalog. This option only creates information about backups that are candidates for import, and does not perform the import operation. The `bpimport` command must be run with this option prior to importing any backups. The `-id` parameter is required with this option.
- `-e` *enddate*
- `-s` *startdate*
The default for the end date is the current date and time; the default for the start date is 24 hours prior to the current date and time.
- `-hoursago` *hours*
Specifies number of hours to search prior to the current time for backups. Do not use with the `-s` option. The default is the previous midnight.
- `-id` *media_id*
For step 1 (`-create_db_info`), this option specifies the media ID that has the backups you are going to import. This option is required with `-create_db_info`.
- For step 2, this option designates a specific media ID from which to import backups. The default is all media IDs that were processed by step 1 of the import operation.



A backup ID that begins on a media ID that was not processed by step 1 is not imported. A backup that ends on a media ID that was not processed by step 1 will be incomplete.

-L *output_file* [-en]

Specifies the name of a file in which to write progress information. The default is to not use a progress file.

Include the `-en` option to generate a log in English. The name of the log will contain the string `_en`. This option is useful to support personnel assisting in a distributed environment where differing locales may create logs of various languages.

-l

Produces output in the progress log that lists each file imported.

-local

When `bpimport` is initiated from a host other than master server and the `-local` option is *not* used (default), `bpimport` starts a remote copy of the command on the master server.

The remote copy allows the command to be terminated from the Activity Monitor.

Use the `-local` option to prevent the creation of a remote copy on the master server and to run the `bpimport` only from the host where it was initiated.

If the `-local` option is used, `bpimport` cannot be canceled from the Activity Monitor.

-M *master_server*

Note For NetBackup Server, this option is not required because there is only one server, the master. If you do use this option in this case, specify the NetBackup master where you run the command.

Specifies the master server that manages the media catalog that has the media ID. If this option is not specified, the default is one of the following:

If the command is run on a master server, then that server is the default.

If the command is run on a media server that is not the master, then the master for that media server is the default.

-p

Previews backups to be imported according to the option settings, but does not perform the import. Displays the media IDs, server name, and information about the backups to be imported.

- `-passwd` Use with the Backup Exec tape reader option to catalog password protected Backup Exec media. When `-passwd` is specified, `bpimport` prompts the user for a password. The password given is then compared with the password on the media. If the password matches, the job proceeds. If the password does not match, the job fails.
Use `-passwd` only when Backup Exec media are being imported and the Backup Exec media are password-protected. Backup Exec media can only be imported on a Windows media server.
- `-pb` Previews the backups to import but does not perform the import. Similar to the `-p` option, but does not display the backups.
- `-PD` Same as the `-PM` option, except the backups are sorted by date and time (newest to oldest).
- `-PM` Displays information on the backups to be imported according to the option settings, but does not perform the import. It displays the following information about the backup: date and time of the backup, policy, schedule, backup ID, host, and media ID.
- `-policy name` Search for backups to import in the specified policy. The default is all policies.
- `-pt policy_type` Search for backups created by the specified policy type. The default is any policy type.
Valid values are:
Informix-On-BAR
MS-Exchange-Server
MS-SQL-Server
MS-Windows
NDMP
NetWare
Oracle
OS/2
Standard
Sybase

Note The following policy types apply only to NetBackup Enterprise Server.



AFS
DataTools-SQL-BackTrack
DB2
FlashBackup
SAP
Split-Mirror

-server *name*

Note For NetBackup Server there is only one server (the master). When using NetBackup Server, specify the name of that server.

Specifies the name of the media server. The volume database for this server must have a record of the media ID that contains the backups to be imported. The default is the media server where the command is run.

-sl *sched_label*

Search for backups to import which were created by the specified schedule. The default is all schedules.

-st *sched_type*

Search for backups to import which were created by the specified schedule type. The default is any schedule type.

Valid values are:

FULL (full backup)

INCR (differential-incremental backup)

CINC (cumulative-incremental backup)

UBAK (user backup)

UARC (user archive)

NOT_ARCHIVE (all backups except user archive)

-v

Selects verbose mode. When specified, the debug and progress logs display more information.

EXAMPLES

Example 1

The following command (all on one line) creates catalog information for backups on media ID A00000. The media host hostname is cat. The progress file is `\tmp\bpimport.ls`.

```
bpimport -create_db_info -id A00000 -server cat -L  
\tmp\bpimport.ls
```


Example 2

The following command (all on one line) displays information about the backups that are candidates for import. The backups displayed would have been created between 11/01/2002 and 11/10/2002. The `bpimport` command with the `-create_db_info` option must be run prior to this command.

```
bpimport -PM -s 11/01/2002 -e 11/10/2002
```

Example 3

The following command imports the backups specified in the `/tmp/import/images` file. The progress is entered in the `/tmp/bpimport.ls` file.

```
bpimport -Bidfile \tmp\import\image -L \tmp\bpimport.ls
```

FILES

```
install_path\NetBackup\logs\admin\*
```

```
install_path\NetBackup\db\images\*
```



bpinst

NAME

bpinst - installs and configures NetBackup Encryption to provide file-level encryption of backups and archives.

SYNOPSIS

```
install_path\NetBackup\bin\bpinst -ENCRYPTION [-force_install]
    [-verbose] [-policy_names] name1 [name2 ... nameN]

install_path\NetBackup\bin\bpinst -LEGACY_CRYPT
    [-update_libraries] [-crypt_option
    option] [-crypt_strength strength] [-passphrase_prompt
    | -passphrase_stdin] [-verbose] [ [-policy_encrypt 0 |
    1] -policy_names] name1 [name2 ... nameN]
```

Note You must have NetBackup Encryption, a separately priced product, in order to use this command.

DESCRIPTION

NetBackup Encryption provides file-level encryption of backups and archives. There are two versions:

- ◆ **-ENCRYPTION** is the Standard Encryption method (recommended)
Provides the ability to encrypt data using 128-bit or 256-bit OpenSSL ciphers.
- ◆ **-LEGACY_CRYPT** is the Legacy Encryption method
Provides the user with the encryption strength choices previously available (40-bit DES and 56-bit DES).

The `bpinst` command, used with the `-LEGACY_CRYPT` or the `-ENCRYPTION` option, installs and configures the NetBackup Encryption product on NetBackup clients that can support encryption.

Before using this command, install the encryption software on the server as explained in the *NetBackup Encryption System Administrator's Guide*. Then, execute `bpinst -LEGACY_CRYPT` or `-ENCRYPTION` on the master server to install and configure NetBackup Encryption on the clients. A single execution copies the required files to the selected clients and also makes the necessary configuration changes on both the clients and the master server.

Note Ensure that the `DISALLOW_SERVER_FILE_WRITES` NetBackup configuration option is not set on the client. If this option is set, the server cannot install and configure the software on the client.

See the `OPTIONS` section for an explanation of all options used with `bpinst -ENCRYPTION` or `-LEGACY_CRYPT`. (Pay special attention to the `-passphrase_prompt` option.)

Note You can also configure encryption for a client that is installed on the master server host.

This command can be executed by any authorized users. For more information about NetBackup authorization, refer to "Enhanced Authorization and Authentication" in the *NetBackup System Administrator's Guide*.

OPTIONS

The following options apply to the `-ENCRYPTION` command.

`-ENCRYPTION`

Required if using 128- or 256-bit OpenSSL ciphers. This option must be the first option specified to use the `bpinst` command to install or configure Cipher-based encryption. The order is important and do not omit this option.

`-force_install`

Installs the client files on the client machine without checking the version of any existing files on the the client machine.

`-policy_names`

Specifies that the names you specify with the `names` option are NetBackup policy names.

If you include the `-policy_names` option, `bpinst -LEGACY_CRYPT` or `-ENCRYPTION` installs and configures all the clients in each policy specified.

If you omit the `-policy_names` option, the names are assumed to be NetBackup client names.

`name1 [name2 ... nameN]`

One or more NetBackup client or policy names, depending on whether you have included the `-policy_names` option. If you omit the `-policy_names` option, the names are assumed to be NetBackup client names.

`-verbose`

Prints the current encryption configuration of each client and what gets installed and reconfigured on each client.



The following options apply to the `-LEGACY_CRYPT` command.

`-LEGACY_CRYPT`

Required if using 40- or 56-bit DES encryption. This option must be the first option specified to use the `bpinst` command to install or configure DES encryption. The order is important and do not omit this option.

`-update_libraries`

Installs the encryption libraries on NetBackup clients. This option applies to the `-LEGACY_CRYPT` option only.

`-crypt_option option`

Configures the `CRYPT_OPTION` configuration entry on the NetBackup clients. If you do not specify `-crypt_option`, the client allows either encrypted or unencrypted backups (see `ALLOWED` below).

The possible values for *option* are:

`DENIED` | `denied` | `-1`

Specifies that the client does not permit encrypted backups. If the server requests an encrypted backup, it is considered an error. This option is the default for a client that has not been configured for encryption.

`ALLOWED` | `allowed` | `0`

Specifies that the client allows either encrypted or unencrypted backups. This is the default.

`REQUIRED` | `required` | `1`

Specifies that the client requires encrypted backups. If the server requests an unencrypted backup, it is considered an error.

`-crypt_strength strength`

Configures the `CRYPT_STRENGTH` configuration entry on the NetBackup clients. If you do not specify this option, the `CRYPT_STRENGTH` configuration entries on the clients remain unchanged.

The possible values for *strength* are:

`DES_40` | `des_40` | `40`

Specifies 40-bit DES encryption. This is the default value for a client that has not been configured for encryption.

`DES_56` | `des_56` | `56`

Specifies 56-bit DES encryption.

`-passphrase_prompt` | `-passphrase_stdin`

Caution Do not forget the pass phrase. If the key file is damaged or lost, you may need the pass phrase in order to regenerate the key file. Without the proper key file, you cannot restore encrypted backups.

NetBackup uses a pass phrase to create data that it places in a key file on each client. NetBackup then uses the data in the key file to create the encryption keys required to encrypt and decrypt the backup data. This option applies to the `-LEGACY_CRYPT` option only.

The `-passphrase_prompt` option prompts you to enter a pass phrase. The actual pass phrase is hidden while you type.

The `-passphrase_stdin` option reads the pass phrase through standard input. You must enter the pass phrase twice. This option is less secure than the `-passphrase_prompt` option because the pass phrase is not hidden. However, it may be more convenient if you are using `bpinst -LEGACY_CRYPT` in a shell script.

NetBackup uses the pass phrase for all the clients that you specify on the `bpinst -LEGACY_CRYPT` command. If you want separate pass phrases for each client, enter a separate `bpinst -LEGACY_CRYPT` command for each client.

When you specify a pass phrase, `bpinst -LEGACY_CRYPT` creates or updates the key files on the clients. Encryption keys generated from the pass phrase are used for subsequent backups. Old encryption keys are retained in the key file in order to allow restores of previous backups.

If you do not specify either the `-passphrase_prompt` or `-passphrase_stdin` option, the key files on the clients remain unchanged.

`-verbose`

Prints the current encryption configuration of each client and what gets installed and reconfigured on each client.

`-policy_encrypt 0 | 1`

Sets the Encryption policy attribute for the NetBackup policies. You can include `-policy_encrypt` only with the `-policy_names` option. The possible values are:

0 clears the Encryption attribute (or leaves it clear) so the server does not request encryption for clients in this policy. This is the default for policies that are not configured for encryption.

1 sets the Encryption attribute so the server requests encryption for clients in this policy.

If you do not specify this option, the Encryption attributes for the policies remain unchanged.

`-policy_names`

Specifies that the names you specify with the `names` option are NetBackup policy names.



If you include the `-policy_names` option, `bpinst -LEGACY_CRYPT` or `-ENCRYPTION` installs and configures all the clients in each policy specified.

If you omit the `-policy_names` option, the names are assumed to be NetBackup client names.

`name1 [name2 ... nameN]`

One or more NetBackup client or policy names, depending on whether you have included the `-policy_names` option. If you omit the `-policy_names` option, the names are assumed to be NetBackup client names.

NOTES

The following list of notes applies to both the `-ENCRYPTION` and the `-LEGACY_CRYPT` option. For additional information about NetBackup encryption, refer to the *NetBackup Encryption System Administrator's Guide*.

- ◆ If you are running NetBackup in a clustered environment, pushing software to the client is only allowed from the active node.
- ◆ If you are pushing the encryption software to clients located in a cluster, specify the hostnames of the individual nodes (not virtual names) in the list of clients.
- ◆ In a clustered environment, after you have successfully installed the add-on, unfreeze the node.
- ◆ When you finish restoring encrypted files from a client, rename or delete the key file created, and move or rename your own key file to its original location or name. If you do not re-establish your key file to its original location/name, you may not be able to restore your own encrypted backups.
- ◆ Existing 40- or 56-bit encryption license keys are valid for upgrades.

The following list of notes applies to the `-LEGACY_CRYPT` option only.

- ◆ The pass phrase that `bpinst -LEGACY_CRYPT` sends over the network to a client is encrypted by a privately defined NetBackup 40-bit DES key.
- ◆ The key file on each NetBackup client is encrypted with a privately defined NetBackup DES key. The key can be 40 bit or 56 bit, depending on how the client is configured. Restrict access to the key file to the administrator of the client machine. On a UNIX client, the owner of the key file should be root and the mode bits should be 600. The key file should not be exportable through NFS.
- ◆ The key file must be the same on all nodes in a cluster.

- ◆ It is important to remember pass phrases. In a disaster recovery situation, you may have to recreate a key file on a client by using `bpinst -LEGACY_CRYPT`. For example, suppose a NetBackup client named `orca` has been performing encrypted backups and an accident occurs that causes `orca` to lose its files. In this case you must reinstall and configure encryption on the client in order to restore your backups.

The following is the basic procedure for disaster recovery when using encryption (see the *NetBackup Troubleshooting Guide* for details on restoring the operating system and NetBackup). This example assumes a NetBackup client named `orca`.

1. Reinstall the operating system on `orca`.
2. Reinstall and configure the NetBackup client software on `orca`.
3. Reinstall and configure encryption on `orca` by executing the following command (one line):

```
bpinst -LEGACY_CRYPT -update_libraries -crypt_option allowed
```

4. Execute `bpinst -LEGACY_CRYPT` to create a pass phrase.

```
bpinst -LEGACY_CRYPT -passphrase_prompt orca
Enter new NetBackup pass phrase: *****
Re-enter new NetBackup pass phrase: *****
```

The pass phrase that you enter here is the first one used on `orca`.

5. Execute `bpinst -LEGACY_CRYPT` for each subsequent pass phrase used on `orca`:

```
# bpinst -LEGACY_CRYPT -passphrase_prompt orca
Enter new NetBackup pass phrase: *****
Re-enter new NetBackup pass phrase: *****
```

6. Restore the backed up files to `orca`.

EXAMPLES

Example 1

The following command copies encryption software from a master server to NetBackup clients.

From a Master Server

Assume that you want to install the encryption software on `client1` and `client2`. You would enter a command like this (all on one line):

```
bpinst.exe -ENCRYPTION client1 client2
```



Assume that you want to install the encryption software on all clients in the NetBackup policies `policy1` and `policy2`. You would enter a command like this (all on one line):

```
bpinst.exe -ENCRYPTION -policy_names policy1 policy2
```

Example 2

The following command installs the libraries on a NetBackup client named `mars` (one line):

```
bpinst.exe -LEGACY_CRYPT -update_libraries mars
```

Example 3

The following command (all on one line) installs and configures 40-bit DES encryption on UNIX clients in a policy named `policy40`:

```
bpinst -LEGACY_CRYPT -update_libraries -crypt_option allowed  
-crypt_strength des_40 -policy_encrypt 1
```

```
bpinst -LEGACY_CRYPT -passphrase_prompt -policy_names policy40  
Enter new NetBackup pass phrase: *****  
Re-enter new NetBackup pass phrase: *****
```

The above command uses the `-policy_encrypt` option to set the Encryption attribute for the policy. You can also use the NetBackup administrator utility to set the Encryption attribute.

Example 4

The following command (all on one line) specifies that the NetBackup client named `strong` must use 56-bit DES encryption:

```
bpinst -LEGACY_CRYPT -crypt_option required -crypt_strength des_56  
strong
```

Example 5

The following command displays a verbose listing of the configuration for the client named `strong`:

```
bpinst -LEGACY_CRYPT -verbose strong  
BPCD protocol version 4.5.0 on client strong  
40-bit library version is 3.1.0.40 on client strong  
56-bit library version is 3.1.0.56 on client strong  
BPCD platform is sgi5 for client strong  
Current configuration entries are:  
CRYPT_KEYFILE = /usr/opensv/netbackup/keyfile  
CRYPT_LIBPATH = /usr/opensv/lib  
CRYPT_OPTION = required  
CRYPT_STRENGTH = des-56  
No update of NetBackup configuration required for client strong  
No update of NetBackup pass phrase required for client strong
```

FILES

Windows:

- ◆ Windows server command

install_path\NetBackup\bin\bpinst.exe

- ◆ Windows server directory with encryption software

install_path\lib\client\

- ◆ Windows client encryption key file

install_path\NetBackup\var\keyfile.dat

- ◆ Windows client encryption libraries

install_path\bin\libvdes*.dll

- ◆ Windows client encryption key file utility

install_path\bin\bpkeyfile.exe

install_path\share\ciphers.txt

install_path\share\version_crypt.txt



bpkeyfile

NAME

bpkeyfile - Encryption key file utility for NetBackup.

SYNOPSIS

```
bpkeyfile [-stdin] [-change_key_file_pass_phrase]
          [-change_netbackup_pass_phrase] [-display]
          key_file_path
```

AVAILABILITY

The bpkeyfile command is available only with the NetBackup Encryption option.

DESCRIPTION

bpkeyfile creates or updates a file that contains information used to generate DES encryption keys. The information is generated based on a NetBackup pass phrase that you supply. The key file is encrypted by a key-file pass phrase that you supply.

The NetBackup client software uses an encryption key calculated from information in the key file to encrypt files during backups or decrypt files during restores.

If the file exists, you are prompted to enter the current key-file pass phrase.

If you specify `-change_key_file_pass_phrase`, you are prompted for a new key file-pass phrase. If you enter an empty pass phrase, a standard key-file pass phrase is used.

If you use the standard key-file pass phrase, bpcd can be run automatically. If you use your own key-file pass phrase, start bpcd with the `-keyfile` argument as explained under in the *NetBackup Encryption System Administrator's Guide*.

OPTIONS

- `-stdin`
Read pass phrases from standard input. By default, bpkeyfile reads pass phrases that you are prompted to input from your terminal window.
- `-change_key_file_pass_phrase` (or `-ckfpp`)
Change the pass phrase used to encrypt the key file.
- `-change_netbackup_pass_phrase` (or `-cnpp`)
Change the pass phrase used to encrypt NetBackup backups and archives on this client.
- `-display`
Display information about the key file.

key_file_path

The path of the key file to be created or updated by bpkeyfile.

NOTES

Pass phrases used by NetBackup can be from 0 to 63 characters long. To avoid compatibility problems between systems, restrict the characters in a pass phrase to printable ASCII characters. Space character (code 32) to tilde character (code 126).

The `bpkeyutil` command is used for legacy encryption.

FILES

Windows:

install_path\NetBackup\bin\keyfile.dat

(Windows client encryption key file)



bpkeyutil

NAME

bpkeyutil - A key file utility used for NetBackup standard encryption.

SYNOPSIS

```
install_path\NetBackup\bin\bpkeyutil [-stdin | -insert  
| -delete] [-display] [-client  
client_name1[, client_name2, ..., client_namen]] [-M  
server]
```

AVAILABILITY

The `bpkeyutil` command is available only with the NetBackup Encryption option.

DESCRIPTION

The `bpkeyutil` command updates a key file that contains keys used for encryption and decryption. The keys are generated based on private VERITAS *NetBackup pass phrases* that you supply. The key file is encrypted using a key. The NetBackup client software will use an encryption key from the key file, to encrypt files during a backup or decrypt files during a restore.

OPTIONS

- stdin
Read pass phrases from standard input. By default, `bpkeyutil` reads pass phrases that you are prompted to input from your terminal window.
- insert
Insert a new NetBackup pass phrase to the key file to encrypt NetBackup backups and archives on this client.
- delete
Delete an existing pass phrase from the key file.
- display
Display information about the key file.
- client *client_name1[, client_name2, ..., client_namen]*
Name of the client where the key file reside. The default is the local client. You may specify multiple client names separated by commas. You can only use this argument if you are a NetBackup administrator.

`-M server`

Name of the master server of the client. The default is the master server defined in the local client's configuration. You can only use this argument if you are a NetBackup administrator on the specified master server.

NOTES

- ◆ The `bpkeyfile` command is used for standard encryption.
- ◆ The key file must be the same on all nodes in a cluster.

FILES

`install_path\NetBackup\var\keyfile.dat`

(Windows client encryption key file)



bplabel

NAME

bplabel - Write a NetBackup label on tape media.

SYNOPSIS

```
install_path\netbackup\bin\admincmd\bplabel -m media_ID -d density  
[-o] [-p volume_pool_name] [-n drive_name | -u  
device_number] [-host media_server] [-erase [-l]]
```

DESCRIPTION

The `bplabel` command writes a NetBackup label on the specified media. Labeling is required only for media that were last used for NetBackup catalog backups or by a non-NetBackup application. You can use this command to erase and label media that is unassigned in a volume database. In addition, you can use this command to assign specific media IDs. The NetBackup Device Manager service (`ltid`) must be active for `bplabel` to succeed. You must also manually assign the drive by using the NetBackup Device Monitor unless you include the `-u` option on the `bplabel` command.

Caution Ensure that the media does not contain required backups. After the media is relabeled, any backups that were on it cannot be restored.

The following are some facts about using this command:

- ◆ The `-m` and `-d` options are required.
- ◆ The `-p` option is required if the media ID is not in the NetBackup volume pool.
- ◆ If the data already on the media is in a recognized format and the `-o` option is not specified, `bplabel` prompts you to confirm the overwrite. Data format recognition works only if the first block on a variable length media is less than or equal to 32 kilobytes.
- ◆ Use the `bplabel` command only for tapes.
- ◆ You must have administrator privileges to run this command.

OPTIONS

`-m media_ID`

A required option that specifies the external media ID that is written to the tape label as a media ID. You can enter the media ID in either uppercase or lowercase. Internally, it is always converted to uppercase. The media ID must be six or fewer alphanumeric characters.

-d *density*

A required option that specifies the density of the tape drive on which the media is mounted. The tape mount request must be performed on a drive type that satisfies the -d option.

Note Do not use capital letters when entering the density. Incorrect density syntax causes the command to fail and an “Invalid Density Drive Type” message to appear.

The valid densities are as follows:

4mm (4-mm Cartridge)

8mm (8-mm Cartridge)

d1t (DLT Cartridge)

hcart (1/2 Inch Cartridge)

qscsi (1/4 Inch Cartridge)

Note The following densities are supported only by NetBackup Enterprise Servers.

8mm2 (8-mm Cartridge 2)

8mm3 (8-mm Cartridge 3)

d1t2 (DLT Cartridge 2)

d1t3 (DLT Cartridge 3)

dtf (DTF Cartridge)

hcart2 (1/2 Inch Cartridge 2)

hcart3 (1/2 Inch Cartridge 3)

-o

Unconditionally overwrites the selected media ID. If this option is not specified, bplabel prompts for permission to overwrite media that meets any of the following conditions:

Contains a NetBackup media header.

Is NetBackup catalog backup media.

Is in TAR, CPIO, DBR, AOS/VS, or ANSI format.

-p *volume_pool_name*

This option is required if the media ID is defined in the Enterprise Media Manager Database but is not in the NetBackup volume pool.

volume_pool_name must specify the correct pool.

-u *device_number*

Unconditionally assigns the standalone drive specified by *device_number*. The drive must contain media and be ready. By using this option, manual operator assignment is not required. The number for the drive can be obtained from the Media Manager configuration.



-n *drive_name*

Unconditionally assigns the standalone drive specified by *drive_name*. The drive must contain media and be ready. By using this option, manual operator assignment is not required. The name for the drive can be obtained from the Media Manager configuration.

-erase [-l]

This option is used to erase the media. Short erase is the default erase. If -l option is specified, the media will be long erased. A long erase operation can be very time consuming depending on the type of drive.

-host *media_server*

The *media_server* variable is the host where the drive is attached. This drive is the drive that is used to mount the media. By default, if this option is not used, the command will run on the local system.

NOTES

tpconfig -d, tpconfig -l, and vmopr cmd may truncate long drive names. Please use tpconfig -dl to obtain the full drive name.

bplist

NAME

`bplist` - Lists backed up and archived files on the NetBackup server.

SYNOPSIS

```
install_path\NetBackup\bin\bplist [-A | -B] [-C client] [-S
  master_server] [-t policy_type] [-k policy] [-F] [-R [n]] [-b
  | -c | -u] [-l] [-r] [-flops file_options] [-Listseconds]
  [-T] [-unix_files] [-nt_files] [-s date] [-e date] [-I]
  [-PI] [-help] [-keyword "keyword_phrase"] [filename]
```

DESCRIPTION

`bplist` shows a list of previously archived or backed up files according to the options that you specify. You can choose the file or directory and the time period that you want the listing to cover. Directories can be recursively displayed to a specified depth.

The list shows only the files that you have read access to. You also must own or have read access to all directories in the file paths. You can list files that were backed up or archived by another client only if you are validated to do so by the NetBackup administrator.

If you create directory `install_path\NetBackup\logs\bplist\` with write access, `bplist` creates an debug log file in this directory that you can use for troubleshooting.

The output of `bplist` goes to standard output.

OPTIONS

-A | -B

Specifies whether to produce the listing from archives (-A) or backups (-B). The default is -B.

-C *client*

Specifies a client name to use for finding backups or archives to list. This name must be as it appears in the NetBackup configuration. The default is the current client name.

-S *master_server*

Specifies the name of the NetBackup server. The default is the server designated as current on the Servers tab of the **Specify NetBackup Machines** dialog. To display this dialog, start the Backup, Archive, and Restore user interface on the client and click **Specify NetBackup Machines** on the File menu.



-t *policy_type*

Specifies one of the following numbers corresponding to the policy type. The default is 0 for all clients except Windows, where the default is 13.

0 = Standard

4 = Oracle

6 = Informix-On-BAR

7 = Sybase

10 = NetWare

13 = MS-Windows

14 = OS/2

15 = MS-SQL-Server

16 = MS-Exchange-Server

19 = NDMP

Note The following policy types apply only to NetBackup Enterprise Server.

11 = DataTools-SQL-BackTrack

17 = SAP

18 = DB2

20 = FlashBackup

21 = Split-Mirror

22 = AFS

25 = Lotus Notes

-k *policy*

Names the policy to search to produce the list. If not specified, all policies are searched.

-F

Specifies that in the list output, symbolic links (applies only to UNIX clients) will end with a trailing @ and executable files with a trailing *.

-R [*n*]

Recursively lists subdirectories encountered to a depth of *n*. The default for *n* is 999.

-b | -c | -u

Specifies an alternate date and time to be used for printing with the -l option:

-b displays the backup date and time of each file.

-c displays the creation date and time for each file.

-u displays the last access date and time of each file.

The default is to display the time of the last modification of each file.

- `-l` Shows file details.
- `-Listseconds` Specifies that seconds granularity be used for the time stamp when the `-l` option is used.
- `-r` Lists disk images that were backed up. The default is to list file systems.
- `-flops file_options` Allows either Backup Exec files to be listed, or both Backup Exec and NetBackup files to be listed. The default (`-flops` not specified) is to list only NetBackup files.

To list only Backup Exe files specify:

`-flops 524288`

To list Backup Exe and NetBackup files specify:

`-flops 1048576`
- `-T` Lists directories in true-image backups. The default is to list non-true-image backups.

Note: TIR information will not appear for synthetic full backups, even though TIR information is used for sythetic full backups.
- `-unix_files` Lists the files and directories in UNIX format. For example:
`/C/users/test.`
- `-nt_files` Lists the files and directories in Windows format. For example:
`C:\users\test.`
- `-s date`
- `-e date` Specifies the start and end date range for the listing.

`-s` specifies a start date and time for the listing. The resulting list shows only files in backups or archives that occurred at or after the specified date and time.

The valid range of dates are from 01/01/1970 00:00:00 to 01/19/2038 03:14:07. The default is the current date minus six months.



`-e` specifies an end date and time for the listing. The resulting list shows only files from backups or archives that occurred at or before the specified date and time. Use the same format as explained above for start date and time. The default is the current date and time.

`-I`

Specifies a case-insensitive search. This means that capitalization is not considered when comparing names (for example, `Cat` matches `cat`).

`-PI`

Specifies a path-independent search, which means that NetBackup searches for a specified file or directory without regard to the path. For example, if a file named `test` exists in the three directories shown below, a search for `test` finds all three instances of the file:

```
\tmp\junk\test
\abc\123\xxx\test
\abc\123\xxx\yyy\zzz\test
```

`-help`

Prints a command line usage message when `-help` is the only option on the command line.

`-keyword` *"keyword_phrase"*

Specifies a keyword phrase for NetBackup to use when searching for backups or archives from which to restore files. The phrase must match the one that was previously associated with the backup or archive by the `-k` option of the `bpbbackup` or `bparchive` command.

You can use this option in place of or in combination with the other restore options in order to make it easier to restore your backups and archives. The following meta characters can be used to simplify the task of matching keywords or parts of keywords in the phrase:

* matches any string of characters.

? matches any single character.

[] matches one of the sequence of characters specified within the brackets.

[-] matches one of the range of characters separated by the "-".

The keyword phrase can be up to 128 characters in length. All printable characters are permitted including space (" ") and period ("."). The phrase must be enclosed in double quotes ("...") or single quotes ('...').

The default keyword phrase is the null (empty) string.

filename

Names the file or directory to list. If you do not specify a path, the default is the current working directory.

Any files or directories that you specify must be listed at the end, following all other options.

Use upper case for the drive letter. For example, C:\NetBackup\log1.

For directories, if you do not use the -R option, include the trailing path separator (\) as in the following:

```
bplist -l "D:\WS_FTP.LOG\"
```

Note: If you are using the asterisk meta character "*", you should use quotation marks around the filename for the command to work properly.

EXAMPLES

Example 1

To list recursively, in long format, the files that were backed up in D:\WS_FTP.LOG.

```
bplist -l -R D:\WS_FTP.LOG
-rwx----- bjm      bjm                64 Oct 10  1997 D:\WS_FTP.LOG
-rwx----- bjm      bjm                64 Oct 10  1997 D:\WS_FTP.LOG
-rwx----- bjm      bjm                64 Oct 10  1997 D:\WS_FTP.LOG
```

Example 2

To list, with details, the files that were backed up and associated with all or part of the keyword phrase

"My Home Directory"

in directory C:\home\kwc, enter the following:

```
bplist -keyword "*My Home Directory*" -l C:\home\kwc\
```

Example 3

To list, with details, the files that were archived and associated with all or part of the keyword phrase

"My Home Directory"

in directory C:\home\kwc, enter the following:

```
bplist -A -keyword "*My Home Directory*" -l C:\home\kwc\
```

Example 4

To list, recursively and with details, the files that were backed up on drive D of Windows client slater and associated with all or part of the keyword phrase

"Win NT"

enter the following:

```
bplist -keyword "*Win NT*" -C slater -t 13 -R -l D:\
```



FILES

install_path\NetBackup\logs\bplist*.log

SEE ALSO

bp, bparchive, bpbackup, bprestore

bpmedia

NAME

bpmedia - Freeze, unfreeze, suspend, or unsuspend NetBackup media.

SYNOPSIS

```
install_path\NetBackup\bin\admincmd\bpmedia -freeze | -unfreeze |  
-suspend | -unsuspend -m media_id [-h host] [-v]  
install_path\NetBackup\bin\admincmd\bpmedia -movedb -m media_id  
-newserver hostname [-oldserver hostname] [-v]
```

DESCRIPTION

bpmedia allows an individual NetBackup media ID to be controlled in terms of allowing or disallowing future backups or archives to be directed to the media. Note that this command applies only to media managed by Media Manager.

Note Under certain media or hardware error conditions, NetBackup automatically suspends or freezes media. If this happens, the reason is logged in the NetBackup Problems report. If necessary, you can use the bpmedia -unfreeze or -unsuspend options to reverse this action.

This command can be executed by any authorized users. For more information about NetBackup authorization, refer to "Enhanced Authorization and Authentication" in the *NetBackup System Administrator's Guide*.

OPTIONS

- freeze
Freezes the specified media ID. When an active NetBackup media ID is frozen, NetBackup stops directing backups and archives to the media. All unexpired images on the media continue to be available for restores. NetBackup never deletes a frozen media ID from the NetBackup media catalog, nor is it unassigned in the NetBackup volume pool when it expires.
- unfreeze
Unfreeze the specified media ID. This reverses the action of freeze and allows the media to be used for backups or archives again if it has not expired. If a media is expired when it is unfrozen, it is immediately unassigned in the NetBackup volume pool.



- suspend
Suspend the specified media ID. The action is the same as `freeze` except that when the media ID expires, it is immediately unassigned in the NetBackup volume pool.
- unsuspend
Unsuspend the specified media ID. This reverses the action of `suspend` and allows the media to be used for backups or archives again.
- movedb -newserver *hostname* [-oldserver *hostname*]

Note You cannot use the `-movedb` option with NetBackup Server.

Moves a media catalog entry from one server to another in a master and media server cluster. This command moves the media catalog entry for the specified media ID from *oldserver* to *newserver* and updates the NetBackup image catalog to reflect that the media ID was moved. It is assumed that after the move, *newserver* has access to the media.

`-newserver hostname` specifies the name of the host to which the entry is moved.

`-oldserver hostname` specifies the name of the host where the catalog entry to be moved currently resides. If you do not specify `-oldserver`, the system where the command is being run is considered to be the old server.

The `-movedb` option is most meaningful in configurations where a master and its media servers are sharing a robotic library and have access to all the media in the robot. If this is not the case, at a minimum, all NetBackup servers must use the same Enterprise Media Manager Database, so the media can be moved from one robotic library to another without losing their attributes and assignment status.

- m *media_id*
Specifies the media ID that requires action. The media ID must be six or fewer characters and must be in the NetBackup media catalog.
- h *host*
Specifies the host name of the server where the media catalog resides. This option is required only if the volume was not written on the server where you run the `bpmedia` command. In this case, the media ID is in the NetBackup media catalog on the other server and you must specify the name of that server on the `bpmedia` command.

For example, assume you have a master server named *whale* and a media server named *eel*. You run the following `bpmedia` command on *whale* in order to suspend media ID BU0001 that is in the media catalog on *eel*:

`bpmedia -suspend -m BU0001 -h eel`

Use the NetBackup Media List report to determine the host that has the volume in its media catalog.

-v

Select verbose mode. This is only meaningful when running with debug logging turned on (that is, when the *install_path*\NetBackup\logs\admin directory exists).

EXAMPLES

Note You cannot use the `-movedb` option with NetBackup Server.

Assume that the master server is HOSTM, with HOSTS1 and HOSTS2 being media servers. The following command, run on HOSTM, moves the media catalog entry for media ID DLT001 from HOSTS1 to HOSTS2 and updates the NetBackup image catalog:

```
bpmedia -movedb -m DLT001 -newserver HOSTS2 -oldserver HOSTS1
```

FILES

install_path\NetBackup\logs\admin*.log

install_path\NetBackup\db\media*.log



bpmedialist

NAME

bpmedialist - Display NetBackup media status.

SYNOPSIS

```
install_path\NetBackup\bin\admincmd\bpmedialist [-m list] [-U | -l  
| -L] [-m media_id] [-r l ret_level] [-d density] [-p  
pool_name] [-h host_name | -M master_server, ... ] [-v]  
  
install_path\NetBackup\bin\admincmd\bpmedialist -summary [-U | -L]  
[-brief] [-p pool_name] [-h host_name | -M  
master_server, ... ] [-v]  
  
install_path\NetBackup\bin\admincmd\bpmedialist -m contents -m  
media_id [-U | -l | -L] [-d density] [-h host_name | -M  
master_server, ... ] [-v]  
  
install_path\NetBackup\bin\admincmd\bpmedialist -count -rt  
robot_type -rn robot_number [-d density] [-U | -l] [-h  
host_name | -M master_server] [-v]
```

DESCRIPTION

bpmedialist queries one or more NetBackup media catalogs and produces a report on the status of the NetBackup media. This command can be executed by authorized users. For more information about NetBackup authorization, refer to "Enhanced Authorization and Authentication" in the *NetBackup System Administrator's Guide*.

bpmedialist produces one of four reports:

MEDIA LIST REPORT

Media List (-m list) report, provides information on either a single volume or all volumes in the NetBackup media catalog. This report does not apply to disk storage units. The report lists, for each volume in the report, the volume's media Id, media server, and other attributes. This is the default report type.

If -U is an option, the status field appears as English text. Otherwise, the status appears as a hexadecimal integer. This is a three-digit value. The interpretation of the two upper-order digits is given here. Any or all of these flags can be set. Settings other than those listed here correspond to unreported states.

>= 0x200 Multiplexing is TRUE.

>= 0x080 Imported is TRUE.

>= 0x040 Multiple retention levels is TRUE.

The interpretation for the low-order status digit is determined by comparing the digit to the following values in order.

>= 0x008 The status is Full.

>= 0x004 This is an unreported state.

>= 0x002 The status is Suspended.

== 0x001 The status is Frozen.

== 0x000 The status is Active.

The reported status is the status for the low-order digit combined with the status for the upper-order digits. For instance, for a status value of 0x040, the media ID is active, and multiple retention levels are in effect.

The `-l` option produces a report in Short mode. Each media ID occupies one line of the report. The fields on this line are listed below. The section on the Media List Report in your NetBackup system administrator's guide describes the fields in detail. Any fields listed below that are not documented in that section are reserved for NetBackup internal use.

- ◆ media id
- ◆ partner id
- ◆ version
- ◆ density
- ◆ time allocated
- ◆ time last written
- ◆ time of expiration
- ◆ time last read
- ◆ Kbytes
- ◆ nimages
- ◆ vimages (unexpired images)
- ◆ retention level
- ◆ volume pool
- ◆ number of restores
- ◆ status (described above)
- ◆ hsize
- ◆ ssize



- ◆ l_offset
- ◆ reserved
- ◆ psize
- ◆ reserved
- ◆ 4 reserved fields

MEDIA SUMMARY REPORT

The Media Summary report lists, by server, summary statistics for active and inactive media grouped according to expiration date. The report shows the expiration date for the media and the number of media at each retention level, and the status of each media ID.

MEDIA CONTENTS REPORT

The Media Contents report lists the contents of media as read directly from the media. It lists the backup IDs that are on a single media ID. It does not list each individual file. This report does not apply to disk storage units. Note that if you attempt to abort the command by entering `ctl-c` and the media requested are still being mounted or positioned, the storage unit may stay in use for some time after the break. Each entry in the report appears as that area of the storage unit is read.

The `-l` format for the Media Contents report produces one line for each backup ID, containing the fields below. The section on the Media Contents Report in your NetBackup system administrator's guide contains more details. Any fields not described in that section are reserved for NetBackup internal use.

- ◆ version (1 denotes a DB backup image, 2 denotes a regular backup image)
- ◆ backup id
- ◆ creation time
- ◆ expiration time
- ◆ retention level
- ◆ fragment number
- ◆ file number
- ◆ block size (in bytes)
- ◆ status
- ◆ media_id
- ◆ size
- ◆ reserved
- ◆ data_start

- ◆ reserved
- ◆ client_type *
- ◆ copy_num *
- ◆ sched_type *
- ◆ flags *
- ◆ opt_extra
- ◆ mpx_headers
- ◆ res1
- ◆ policy name *
- ◆ schedule label *

* These fields are significant only if version is 2.

MEDIA COUNT REPORT

The Media Count report shows a count of the number of UP devices matching all the criteria specified. The robot type and the robot number are mandatory criteria for this report. The `-U` format provides a title, Number of UP devices for $rt(rn) = value$. The `-l` format provides only the value.

OPTIONS

Report-type Options

`bpmedialist` produces one of four types of reports. An option on the command line determines the type of report produced. The report-type options are as follows:

- `-mlist`
Produce a Media List report. This is the default report type.
- `-summary`
Produce a Media Summary report.
- `-mcontents`
Produce a Media Contents report.
- `-count`
Produce a Media Count report. This report also displays the media attribute `ALLOW_MULT_RET_PER_MEDIA` and its value, 0 (do not allow) or 1 (allow).

Report-format Options

The `bpmedialist` report can appear in one of several formats. The report-format options are as follows:



-brief

Produce a brief report. This option is available for the Media Summary report only. The default is a full report, which includes a breakdown of active and non-active media, reporting on each media ID's status within these categories.

-U

Report in user mode. This is the default report mode. The report includes a banner listing the column titles, and the report style is descriptive, rather than terse.

-L

Report in long mode. This format produces the report with the most complete information. For instance, for the Media List report, the report lists the attributes of each media ID as a series of *keyword = value* pairs, one attribute per line. A value may be expressed as both a numeric value and a descriptive value.

-l

Report in short mode. This format produces a terse report. This option is useful for scripts or programs that rework the listing contents into a customized report format.

Other Options

The following are the remaining options used by bpmmedialist:

-d *density*

Report on media of this density type. If the robot type is specified on the command line, the value for density should be consistent with the robot type. Available density types are:

4mm - 4mm Cartridge

8mm - 8mm Cartridge

dlt - DLT Cartridge

qscsi - 1/4 Inch Cartridge

Note The following densities are supported only on NetBackup Enterprise Servers.

dlt2 - DLT Cartridge 2

dlt3 - DLT Cartridge 3

dtf - DTF Cartridge

hcart - 1/2 Inch Cartridge

hcart2 - 1/2 Inch Cartridge 2

hcart3 - 1/2 Inch Cartridge 3

odiskwm - Optical Disk Write-Many

odiskwo - Optical Disk Write-Once

-m *media_id*

Report on this media ID only. This is a required option for the Media Contents report.

For the Media List report, this option is optional, and, by default, all media IDs are included in that report. The media ID can be provided in either upper- or lower-case. The media ID must be six or fewer characters and must be in the NetBackup media catalog (that is, assigned from the NetBackup volume pool).

-h *host_name*

Note For NetBackup Server, there is only one server (the master) so use the name of that server for *host_name*.

host_name is either the name of a host, or the character string ALL. If *host_name* is the name of a host, the query goes to the media catalog residing on the system *host_name*. For the `-mcontents` and `-count` options, this option can appear once. For the `-mlist` and `-summary` options, this option can appear more than once. The default is all servers in the set of storage units for removable media.

The system *host_name* must allow access by the system running `bpmedialist`. *host_name* can be a media server for a master server other than the local master server. The default is the master server of the local cluster.

For a media server for a master server other than the local master, if a `bpmedialist` query is made using `-h the_media_server`, and an equivalent `bpmedialist` query uses `-M the_media_servers_master`, the `bpmedialist` using `-h` may complete faster. This difference in response time can be significant if the master server addressed by `-M` is located remotely, and the media server addressed by `-h` is local.

If *host_name* is ALL, the query goes to the local master server and its media servers.

-help

Prints a command line usage message when `-help` is the only option on the command line.

-M *master_server, . . .*

A list of alternative master servers. This is a comma-delimited list of host names. If this option is present, each master server in the list runs the `bpmedialist` command. If an error occurs for any master server, processing stops at that point.



The report is the composite of the information returned by all the master servers in this list. `bpmedialist` queries each of these master servers. Each master server in the list must allow access by the system issuing the `bpmedialist` command.

For `-mcontents` (Media Contents report) only, the master server returns media information from the media catalogs. This media information is for both the master and its media servers (except for NetBackup Server which does not support remote media servers). For example, if a media ID exists on a media server of one of the master servers in the `-M` list, the master retrieves the media information from the media server and returns it to the system running `bpmedialist`. In this case, both the master server and the media server must allow access by the system issuing the `bpmedialist` command.

The default is the master server for the server running `bpmedialist`.

Note NetBackup Server supports only one server, the master; so the default, in this case, is always the NetBackup Server master where you run `bpmedialist`.

`-p` *pool_name*

Report on the media IDs that belong to this volume pool. The default is all pools.

`-rl` *retention_level*

Report on media that are using this retention level. The retention level determines how long to retain backups and archives. The *retention_level* is an integer between 0 and 24. The default retention level is 1.

Following are the retention levels with the installation values for the corresponding retention periods. Note that your site may have reconfigured the retention periods corresponding to the retention levels.

0	1 week
1	2 weeks
2	3 weeks
3	1 month
4	2 months
5	3 months
6	6 months
7	9 months
8	1 year
9 - 24	infinite

`-rn robot_number`

Report on the robot using this robot number. This is a required option when the `-count` option is used. The robot number can be obtained from the Media Manager device configuration. For rules concerning the use of this number, see your Media Manager system administrator's guide.

`-rt robot_type`

Report on a robot of this type. This is a required option when the `-count` option is used. For non-robotic (standalone) devices select NONE. Valid robot types include the following

TL4 - Tape Library 4MM

TL8 - Tape Library 8MM

TLD - Tape Library DLT

NONE - Not robotic

Note The following robot types apply only to NetBackup Enterprise Server.

ACS - Automated Cartridge System

ODL - Optical Disk Library

TLH - Tape Library Half-Inch

TLM - Tape Library Multimedia

TSH - Tape Stacker Half-Inch

`-v`

Select verbose mode. This option causes `bpmedialist` to log additional information for debugging purposes. The information goes into the NetBackup administration daily debug log. This option is meaningful only when NetBackup has debug logging enabled (`install_path\NetBackup\logs\admin` directory defined).

EXAMPLES

Example 1

The following example produces a media report for all media IDs defined for the master server of the local system and any media servers.

Note For NetBackup Server, the report includes only media IDs for the master server because remote media servers are not supported.

```
bpmedialist
Server Host = hatt
```

```
id      rl  images  allocated  last updated  density  kbytes  restores
```



		vimages	expiration		last read		<----- STATUS ----->		
143191	0	28	12/03/2002 23:02		12/22/2002 23:00		dlt 736288		1
		7	12/29/2002 23:00		12/09/2002 10:59				
144280	0	9	11/25/2002 11:06		12/01/2002 23:03		dlt 290304		0
		0	12/08/2002 23:03		N/A		EXPIRED FROZEN		
AEK800	0	22	12/06/2002 03:05		12/23/2002 03:01		dlt 23213184		0
		7	12/30/2002 03:01		12/09/2002 10:48				
C0015	0	28	11/26/2002 02:09		12/23/2002 02:01		dlt 896448		0
		7	12/30/2002 02:01		N/A				
IBM001	0	16	12/16/2002 01:01		12/23/2002 01:07		dlt 6447360		0
		14	12/30/2002 01:07		N/A				
L00103	0	20	12/07/2002 08:33		12/23/2002 01:07		dlt 7657728		0
		9	12/30/2002 01:07		N/A				
L00104	0	9	12/11/2002 01:09		12/21/2002 01:04		dlt 5429504		0
		5	12/28/2002 01:04		N/A				

Example 2

The following example produces a media count report for robot type TLD and robot number 0:

```
bpmedialist -count -rt TLD -rn 0
ALLOW_MULT_RET_PER_MEDIA 0
Number of UP devices for TLD(0) = 2
```

Example 3

The following example produces a media contents report for media ID AEK802. The report is partially listed below.

```
bpmedialist -mcontents -m AEK802
media id = AEK802, allocated 01/08/2004 03:10, retention level = 0
```

```
File number 1
Backup id = hat_0915786605
Creation date = 01/08/2004 03:10
Expiration date = 01/15/2004 03:10
Retention level = 0
Copy number = 1
Fragment number = 2
Block size (in bytes) = 65536
```

```
File number 2
```



```

Backup id = hat_0915809009
Creation date = 01/08/2004 09:23
Expiration date = 01/15/2004 09:23
Retention level = 0
Copy number = 1
Fragment number = 1
Block size (in bytes) = 65536

```

Example 4

In this example, bpmedialist runs on the master server buff. bpmedialist produces a Media List report for master servers hatt and duo.

```

bpmedialist -M hatt,duo
Server Host = hatt

```

id	rl	images vimages	allocated expiration	last updated last read	density	kbytes	restores
							<----- STATUS ----->
143191	0	51 9	12/03/2002 23:02 01/18/2003 23:04	01/11/2003 23:04 01/08/2003 10:26	dlt	1436686	2
144280	0	9 0	11/25/2002 11:06 12/08/2002 23:03	12/01/2002 23:03 01/12/2003 16:10	dlt	290304	0
AEK800	0	38 3	12/06/2002 03:05 01/15/2003 03:10	01/08/2003 03:10 12/09/2002 10:48	dlt	3922200024	0
AEK802	0	6 6	01/08/2003 03:10 01/19/2003 03:05	01/12/2003 03:05 01/12/2003 16:12	dlt	6140544	0
C0015	0	48 7	11/26/2002 02:09 01/19/2003 02:11	01/12/2003 02:11 N/A	dlt	1531968	0
IBM000	0	19 13	01/01/2003 01:09 01/19/2003 02:05	01/12/2003 02:05 01/09/2003 05:41	dlt	8284224	0

```

Server Host = duo

```

id	rl	images vimages	allocated expiration	last updated last read	density	kbytes	restores
							<----- STATUS ----->
A00004	0	0 0	11/16/2003 05:31 N/A	N/A N/A	4mm	0	0
DLT210	1	5 2	12/09/2002 06:10 01/22/2003 06:04	01/08/2003 06:04 N/A	dlt	2560	0
DLT215	0	124 28	12/08/2002 14:57 01/19/2003 08:07	01/12/2003 08:07 12/31/2002 15:42	dlt	9788072	4

Example 5



In this example, `bpmedialist` reports which of two hosts has a given media ID configured. Since the host `hatt` does not have `A00004` configured in its media catalog, it reports, the requested media ID was not found in the NetBackup media catalog or Enterprise Media Manager Database.

The host `duo` does have `A00004` configured, so it produces a Media List report for `A00004` (the command is all on one line).

```
bpmedialist -mlist -h hatt -h duo -m A00004
```

```
requested media id was not found in NB media database and/or  
MM volume database
```

```
Server Host = duo
```

id	rl	images vimages	allocated expiration	last updated last read	density <----- STATUS ----->	kbytes	restores
A00004	0	0 0	11/16/2003 N/A	05:31 N/A	N/A FROZEN	4mm 0	0

FILES

```
install_path\NetBackup\logs\admin\*
```

EMM database

bpminlicense

NAME

bpminlicense - Manage NetBackup license file.

SYNOPSIS

```
install_path\NetBackup\bin\admincmd\bpminlicense [-path
license_key_file | -M server] [-debug] [-verbose]
[-list_keys] [-nb_features | -sm_features]
```

```
install_path\NetBackup\bin\admincmd\bpminlicense [-path
license_key_file | -M server] [-debug] [-verbose]
-find_keys | -delete_keys | -add_keys keyststring1 ..
keyststringn
```

DESCRIPTION

The `bpminlicense` utility manages a NetBackup license file. The preferred method to manage NetBackup licenses is to use the **Help > License Keys** panel in the NetBackup Administration console. For UNIX servers, you may use the `get_license_key(1M)` utility to manage the NetBackup licenses, which is preferred to this command.

This command can be executed by any authorized users. For more information about NetBackup authorization, refer to "Enhanced Authorization and Authentication" in the *NetBackup System Administrator's Guide*.

OPTIONS

```
-add_keys | -delete_keys | -find_keys keyststring1 .. keyststringn
```

Respectively, these options find and list, add, or delete one or more specified *keyststrings* in the NetBackup license file.

```
-debug
```

Display detailed information to standard error.

```
-list_keys
```

List the keys in the NetBackup license file.

```
-M server
```

Use the standard NetBackup license file from the specified NetBackup *server*.

```
-nb_features
```

```
-sm_features
```

Respectively, list only active NetBackup or Storage Migrator feature IDs (and active keys when specified with the `-verbose` option).



- path *license_key_file*
Use the specified *license_key_file* on the local system. The default is the standard NetBackup license file.
- verbose
Display additional information to standard output.

bpnbat

NAME

bpnbat - enables a user to accomplish Authentication tasks from within NetBackup.

SYNOPSIS

```
install_path\NetBackup\bin\bpnbat [-Login] [-WhoAmI] [-AddDomain |
  -RemoveDomain] [-AddUser | -RemoveUser] [-AddMachine]
  [-LoginMachine] [-GetBrokerCert] [-ShowBrokerCerts]
  [-RemoveBrokerCert]
```

DESCRIPTION

The bpnbat command is a tool that enables a user to use the VERITAS Security Subsystem (VxSS). VxSS has two distinct pieces to it.

- ◆ Authentication - the act of proving who you are
- ◆ Authorization - the act of checking what you can do

bpnbat enables a user to accomplish authentication tasks from within NetBackup.

Note Any command that asks for a password will not echo the password or asterisks as they allow a *shoulder surfer* to significantly narrow the password search space.

Note The use of NetBackup Access Control requires the user's home directories to work correctly.

OPTIONS

-Login

Use this option to identify oneself to the system. When running this command, enter a Name, Password, Domain, Authentication type, and a server to authenticate. The combination of a name, password, domain, and domain type create a unique identity within an Enterprise-wide network. The first time a broker is contacted, you are asked if you want to trust that broker and authenticate them. You cannot use an untrusted broker.

-WhoAmI

Use this command to tell what identity you are currently using within VxSS. It lists your name, domain, the authenticating broker who issued the credential, the time at which a certificate will expire, and the domain type that was used when creating the credential.



`[-AddDomain | -RemoveDomain]`

These options enable an administrator, who is running locally on an Authentication server, to add or remove domains within the private VERITAS Domain Database. These domains are not accessible from within any operating system, and only have meaning within VxSS. They are intended to be used in places where a centralized naming authority (such as a PDC/AD, or NIS domain) is not available.

You must have administrator privileges to use these command options.

`[-AddUser | -RemoveUser]`

These options enable an administrator, who is running locally on an Authentication server, to add or remove users from within domains in the private VERITAS Domain Database. These accounts only have meaning within VxSS. They are intended to be used in places where a centralized naming authority (such as, PDC/AD or NIS domain) is not available.

You must have administrator privileges to use these command options.

`-AddMachine`

Run this option on your authentication broker (root +ab). This option registers a machine in a private VERITAS Security Subsystem database.

The identity is placed in the private domain

`NBU_Machines@<at.server.name>`.

`-LoginMachine`

Run this option on your NetBackup Media, Master, and Clients. This option enables you to identify a machine using an account within the VERITAS Security Subsystem private domain

`NBU_Machines@<at.server.name>`. This is similar to logging in as a user to a specified authentication broker.

`-GetBrokerCert`

This command is used to obtain a broker certificate without authenticating to a broker.

`-ShowBrokerCerts`

This command lists all of the brokers that the user currently trusts. Any broker listed is trusted to handle authentication requests that are sent to it.

`-RemoveBrokerCert`

This command removes a trust of a specified authentication broker. You can use this command to remove a broker when you no longer trust it, for example, an authentication broker is moved to a different corporate division.

EXAMPLES

Example 1



In the following example the user is using the `-Login` option to connect to the Authentication Broker (the server that handles the Authentication process) called `test.domain.veritas.com`, using the default port number. In the following example, an NIS account is being used, therefore a domain name associated with the NIS account is provided in addition to a user and password.

```
# bpnbat -Login
Authentication Broker: test.domain.veritas.com
Authentication port[ Enter = default]:
Authentication type (NIS, NISPLUS, WINDOWS, vx, unixpwd): NIS
Domain: domain.veritas.com
Name: username
Password:
You do not currently trust the server: test.domain.veritas.com, do
you wish to trust it? (y/n):
Y
Operation completed successfully.
```

Example 2

The `-WhoAmI` command verifies the identity that you are currently using within VxSS. It lists your name, domain, the authenticating broker who issued the credential, the time at which your certificate will expire and what type of domain you used in creating the credential.

```
# bpnbat -WhoAmI
Name: user name
Domain: domain.veritas.com
Issued by: /CN=broker/OU=root@eek.min.veritas.com/O=vx
Expiry Date: Oct 27 20:57:43 2003 GMT
Authentication method: NIS
Operation completed successfully.
```

Example 3

Adding a machine to the machine identities list:

```
# bpnbat -AddMachine
```



```
Does this machine use Dynamic Host Configuration Protocol (DHCP)?
(y/n) n
Authentication Broker: test.domain.veritas.com
Authentication port[ Enter = default]:
Name: auto.domain.veritas.com
Password:
Operation completed successfully.
```

Logging in a machine to a specified authentication broker:

```
# bpnbat -LoginMachine
Does this machine use Dynamic Host Configuration Protocol (DHCP)?
(y/n) n
Authentication Broker: test.domain.veritas.com
Authentication port[ Enter = default]:
Name: auto.domain.veritas.com
Password:
Operation completed successfully.
```

Logging in a machine to a specified authentication broker and a problem occurs:

If the user has a multi-NIC configuration, or if the broker name is typed incorrectly, a second prompt appears that gives the user a second chance at entering the proper broker name. The following example assumes sleemanNB is a private NIC name. The public NIC name that VxSS uses to build the authentication domain is sleeman.min.veritas.com. If the user is using the `-loginmachine` command and there is a failure (such as a bad machine name, wrong password, or incorrect broker name) the user has a second opportunity to enter an explicit primary hostname for the authentication broker. Refer to the following example:

```
# bpnbat -LoginMachine
Does this machine use Dynamic Host Configuration Protocol (DHCP)?
(y/n) n
Authentication Broker: sleemanNB
Authentication port[ Enter = default]:
Machine Name: challenger
```

```
Password:  
Primary host name of broker: sleeman.min.veritas.com  
Operation completed successfully.
```

Example 4

This command is used to obtain a broker certificate without authenticating to a broker. It expects a broker (test.domain.veritas.com) and a port (0 for default)

```
# bpbat -GetBrokerCert test.domain.veritas.com 0  
Operation completed successfully.
```

Example 5

This command will list all the brokers that the user currently trusts

```
# bpbat -ShowBrokerCerts  
Name: root  
Domain: root@test.domain.veritas.com  
Issued by: /CN=root/OU=root@test.domain.veritas.com/O=vx  
Expiry Date: Jun 12 20:45:19 2006 GMT  
Authentication method: VERITAS Private Security
```

```
Name: root  
Domain: root@auto.domain.veritas.com  
Issued by: /CN=root/OU=root@auto.domain.veritas.com/O=vx  
Expiry Date: Feb 17 19:05:39 2006 GMT  
Authentication method: VERITAS Private Security
```

```
Name: root  
Domain: root@torpedo.domain.veritas.com  
Issued by: /CN=root/OU=root@torpedo.domain.veritas.com/O=vx  
Expiry Date: May 13 23:20:58 2006 GMT  
Authentication method: VERITAS Private Security
```



Operation completed successfully.

Example 6

The `-RemoveBrokerCert` option removes a broker when the user no longer wants to trust it. In the following example, an authentication broker is moved to a different corporate division.

```
# bpnbat -RemoveBrokerCert test.domain.veritas.com
```

Operation completed successfully.

The user can now use the `-ShowBrokerCerts` option to display current certificates. The previously removed certificate is no longer displayed.

SEE ALSO

`bpnbaz`

bpbaz

NAME

bpbaz - enables a user to accomplish Authorization administration tasks from within NetBackup

SYNOPSIS

```

install_path\NetBackup\bin\admincmd\bpbaz -[AddUser | DelUser]
    Group_Name Domain_Type:Domain_Name:User_Name
    [-OSGroup] [-M server] [-Server server1.domain.com]
    [-CredFile Credential]

install_path\NetBackup\bin\admincmd\bpbaz -[AddGroup | DelGroup]
    Group_Name [-M server] [-Server server1.domain.com]
    [-CredFile Credential]

install_path\NetBackup\bin\admincmd\bpbaz -UpGrade60

install_path\NetBackup\bin\admincmd\bpbaz -[ListPerms |
    ListMainObjects | ListGroups | ShowAuthorizers] [-M
    server] [-Server server1.domain.com] [-CredFile
    Credential]

install_path\NetBackup\bin\admincmd\bpbaz -ListGroupMembers
    Group_Name [-M server] [-Server
    server1.domain.com] [-CredFile Credential]

install_path\NetBackup\bin\admincmd\bpbaz -AddPerms
    Permission_1[,Permission_2,...] -Group Group_Name
    -Object Object [-M server] [-Server
    server1.domain.com] [-CredFileCredential]

install_path\NetBackup\bin\admincmd\bpbaz -DelPerms
    [Permission_1,...] -Group Group_Name -Object Object
    [-M server] [-Server server1.domain.com]
    [-CredFileCredential]

install_path\NetBackup\bin\admincmd\bpbaz
    -[AllowAuthorization|DisallowAuthorization] Machine
    Name [-M server] [-Server server1.domain.com]

install_path\NetBackup\bin\admincmd\bpbaz -SetupSecurity
    NBU.Master.Server.com [-M server] [-Server
    server1.domain.com]
  
```



DESCRIPTION

NetBackup uses the `bpbaz` command line executable to access the authorization portion of VxSS. Authorization is the process of checking rights on an object. This command enables you to do the following:

- ◆ Add users to Az groups
- ◆ Create Az groups
- ◆ Add and remove permissions from the main NetBackup resource objects
- ◆ Add and remove permissions on individual policies
- ◆ List current permissions on NetBackup resource and policies
- ◆ List Az groups
- ◆ Lists users within Az groups
- ◆ Permit machines to perform authorization actions
- ◆ Setup the initial security information

To use this command and its associated options, you must be a member of the NetBackup Security Administrators group (NBU_Security Administration). The only exception to this is with the `SetupSecurity` command. You must have local administrator privileges on the authorization server to use this command.

When using `bpbaz`, it is assumed that the Master server and the Az server are the same machine.

Note The use of NetBackup Access Control requires the user's home directories to work correctly.

OPTIONS

`-AddGroup` *Group_Name*

This option enables you to create an authorization group defined with the variable *Group_Name*.

NOTE: An Az group is a collection within the Authorization engine into which OS groups and OS users can be placed. Adding a user to an Az group grants them the rights and privileges associated with that group.

`-AddPerms Permission_1 [, Permission_2, ...]`

This option adds the permissions specified for the given role to the object or policy in question. Refer to the *NetBackup System Administrator's Guide* for additional information. `-AddUser Group_Name`

`Domain_Type:Domain_Name:User_Name`

You can add users by creating a unique enterprise account name, following this format: <Authentication type>:<Domain_Type>:<User_Name to which the user or group belongs>

The supported Authentication types for this variable are:

Nis ... Network Information Services

NISPLUS ... Network Information Services Plus

Unixpwd ... Unix Password file on the Authentication server

WINDOWS ... Primary Domain Controller or Active Directory

Vx ... VERITAS Private database.

The *Domain_Type* variable is the domain that the user or group belongs, and the *User_Name* variable defines the applicable user or group name.

`-AllowAuthorization Machine Name`

This option specifies which machines are allowed to perform authorization checks. The security administrator must specify which servers (Master or Media) are permitted to examine the Authorization database to perform authorization checks.

`-CredFile Credential`

This option specifies a file name (*Credential*) from which to obtain an VxSS credential, rather than the default location.

`-DelGroup Group_Name`

Deleting an Az group from the authorization engine removes all the members of the group. This operation is not reversible; removing a group will revoke the rights granted to members of the group.

`-DelPerms`

This option deletes all permissions from an object for a given group. `-DelUser`

`Group_Name Domain_Type:Domain_Name:User_Name`

This option enables you to remove a user from an authorization group.

This operation is not reversible. Refer to the AddUser option for definitions of the *Domain_Type*, *User_Names*, and *Authentication* types.



-DisallowAuthorization *Machine Name*

This option specifies which machines are not allowed to perform authorization checks. The security administrator must specify which servers (Master or Media) are not permitted to examine the Authorization database to perform authorization checks.

-ListGroupMembers *Group_Name*

This option lists the group member associated with a particular group defined by *Group_Name*.

-ListGroups

This option lists the defined groups.

-ListMainObjects

This option lists the current permissions for each group on each of the main NetBackup objects. This is an informative view that you can use to verify changes to permissions on an object. This options shows the permissions each group has within the authorization system.

-ListPerms

The option -ListPerms shows all applicable permissions for a given object or object type within the database. This will help the user to create meaningful customizations to their authorization. -Group *Group_Name*

This option enables you to define user groups that can be members of multiple user groups at the same time. NetBackup does not allow user groups to be nested.

-Object *Object*

This options enables you to control the access to specified objects or object collections.

-OSGroup

This option enables you to define a named collection of authentication principals, established in a native operating system, and treated as a single entity. All members of an authentication group, or OS group, are from the same authentication domain.

-M *server*

This option specifies the name of the master server as defined in the variable *server*. This server name may be different from the local host name.

-SetupSecurity

This option must be run as root on the Az server.

-Server *server1.domain.com*

This option specifies the Az server being used. Currently we expect the Az server and the NetBackup master server to exist on the same system.

-ShowAuthorizers

This option lists the machines are allowed to perform authorization checks.

-Upgrade60

This option modifies the NBU_Operator groups permissions to enable an operator to continually view general media and device information. This command should only be run when upgrading a system from NetBackup 5.x (any patch level) to NetBackup 6.0.

EXAMPLES

Example 1

An Az group is a collection within the Authorization engine where other OS groups and OS users are placed. This is the basic building block against which permissions are applied on the objects within the database. Adding a user to an Az group grants them all the rights and privileges associated with that group. When a user is placed in more than one group that user's effective permissions are the logical "or" of the applicable permissions of each group to which the user belongs. The following example demonstrates how to create and list an existing Az group.

```
install_path\NetBackup\bin\admincmd\bpbaz -AddGroup "New Group 1"
-server test.domain.veritas.com
```

Operation completed successfully.

```
install_path\NetBackup\bin\admincmd\bpbaz -ListGroup -server
test.domain.veritas.com
```

Administrators

Operators

Security Administrators

Resource Management Applications

Applications

New Group 1

NBU_Unknown

NBU_User

NBU_Operator

NBU_Media Device Operator

NBU_Admin

NBU_Executive

NBU_Security Admin



```
NBU_Database Agent Operator
NBU_Database Agent Administrator
Operation completed successfully.
```

Example 2

Deleting an Az group:

Deleting an az group from the authorization engine will results in all the members being removed from the group. This operation is not reversible. Removing a group will revoke the rights granted to members of the group. As such you can do yourself a great disservice by deleting groups before careful thought goes into it.

```
install_path\NetBackup\bin\admincmd\bpbaz -DelGroup "New Group 1"
-server test.domain.veritas.com
```

```
Operation completed successfully.
```

```
install_path\NetBackup\bin\admincmd\bpbaz -ListGroup -server
test.domain.veritas.com
```

```
Administrators
Operators
Security Administrators
Resource Management Applications
Applications
NBU_Unknown
NBU_User
NBU_Operator
NBU_Media Device Operator
NBU_Admin
NBU_Executive
NBU_Security Admin
NBU_Database Agent Operator
NBU_Database Agent Administrator
Operation completed successfully.
```

Example 3



Adding and removing users from Az groups (and Listing group members):

Users are added by creating a unique enterprise name of the following format:
<Authentication type>:<Domain to which user/group belongs>:<user/group name>

Supported Authentication types are:

- ◆ Nis - Network Information Services
- ◆ NisPlus - Network Information Services Plus
- ◆ Unixpwd - UNIX Password file on the Authentication server
- ◆ WINDOWS - Primary Domain Controller or Active Directory
- ◆ Vx - VERITAS Private database

```
install_path\NetBackup\bin\admincmd\bpbaz -AddUser NBU_Operator
nis:domain.veritas.com:ssosa -server test.domain.veritas.com
```

Operation completed successfully.

```
install_path\NetBackup\bin\admincmd\bpbaz -ListGroupMembers
NBU_Operator -server test.domain.veritas.com
```

=====

Type: User

Domain Type: nis

Domain:domain.veritas.com

Name: jdimaggio

=====

Type: User

Domain Type: nis

Domain:domain.veritas.com

Name: ssosa

Operation completed successfully.

```
install_path\NetBackup\bin\admincmd\bpbaz -DelUser NBU_Operator
nis:domain.veritas.com:ssosa -server test.domain.veritas.com
```

Operation completed successfully.

```
install_path\NetBackup\bin\admincmd\bpbaz -ListGroupMembers
NBU_Operator -server test.domain.veritas.com
```

=====

Type: User



```
Domain Type: nis
Domain:domain.veritas.com
Name: jdimaggio
Operation completed successfully.
```

Example 4

Listing Applicable Permissions:

Using `-ListPerms` will show all applicable permissions for a given object or object type within the database. This will help the user to create meaningful customizations to their authorization.

```
install_path\NetBackup\bin\admincmd\bpnbaz -ListPerms -server
test.domain.veritas.com
```

```
Object Type: Unknown
```

```
    Browse
```

```
Object Type: Media
```

```
    Browse
```

```
    Read
```

```
    New
```

```
    Delete
```

```
    Eject
```

```
    . . .
```

```
    Restart
```

```
    Synchronize
```

```
Object Type: PolicyGroup
```

```
    Browse
```

```
    Read
```

```
    New
```

```
    Delete
```

```
    Activate
```

```
    Deactivate
```

Backup
Operation completed successfully.

Example 5

Listing Main Objects:

The `-ListMainObjects` option lists the current permissions for each group on each of the main NetBackup objects. This is an informative view that can be used to verify changes to permissions on an object. This show what permissions each group has within the authorization system.

```
install_path\NetBackup\bin\admincmd\bpnbaz -ListMainObjects  
-server test.domain.veritas.com
```

```
. . .
```

```
NBU_RES_Policy:
```

```
  Role: NBU_User
```

```
    Unknown
```

```
  Role: NBU_Media Device Operator
```

```
    Browse
```

```
    Read
```

```
  Role: NBU_Executive
```

```
    Read
```

```
    Browse
```

```
  Role: NBU_Database Agent Operator
```

```
    Unknown
```

```
  Role: NBU_Unknown
```

```
    Unknown
```

```
  Role: NBU_Operator
```

```
    Browse
```

```
    Read
```

```
  Role: NBU_Admin
```

```
    Browse
```



```
New
Activate
Backup
Read
Delete
Deactivate
Role: NBU_Security Admin
Unknown
Role: NBU_Database Agent Administrator
Unknown
Role: Administrators
Unknown
Role: Operators
Unknown
Role: Applications
Unknown
Role: NBU_Security Admin
Unknown
. . .
NBU_RES_Job:
Role: NBU_Media Device Operator
Browse
Suspend
Cancel
Read
Resume
Delete
Role: NBU_Executive
Browse
Read
```



Role: NBU_Database Agent Operator

Unknown

Role: NBU_User

Unknown

Role: NBU_Unknown

Unknown

Role: NBU_Operator

Browse

Suspend

Cancel

Read

Resume

Delete

Role: NBU_Admin

Browse

Delete

Resume

Read

Suspend

Cancel

Role: NBU_Security Admin

Unknown

Role: NBU_Database Agent Administrator

Unknown

Role: Administrators

Unknown

Role: Operators

Unknown

Role: Applications

Unknown



```
Role: NBU_Security Admin
Unknown
. . .
Operation completed successfully.
```

Example 6

Adding and deleting permissions from an object or policy:

Deletion deletes all permissions from an object for a given group. Add adds the permissions specified for the given role to the object or policy in question.

```
install_path\NetBackup\bin\admincmd\bpbaz -AddPerms
Browse,Read,New,Delete -Group TestGroup1 -Object NBU_RES_Job
-server test.domain.veritas.com
```

Operation completed successfully.

```
install_path\NetBackup\bin\admincmd\bpbaz -ListMainObjects
-server test.domain.veritas.com
```

NBU_RES_Unknown:

```
Role: NBU_User
```

. . .

NBU_RES_Job:

```
Role: NBU_Media Device Operator
```

```
Browse
```

```
Suspend
```

```
Cancel
```

```
Read
```

```
Resume
```

```
Delete
```

```
Role: NBU_Executive
```

```
Browse
```

```
Read
```

```
Role: NBU_Database Agent Operator
```

Unknown

Role: TestGroup1

Read

Delete

New

Browse

Role: NBU_User

Unknown

Role: NBU_Unknown

Unknown

Role: NBU_Operator

Browse

Suspend

Cancel

Read

Resume

Delete

Role: NBU_Admin

Browse

Delete

Resume

Read

Suspend

Cancel

Role: NBU_Security Admin

Unknown

Role: NBU_Database Agent Administrator

Unknown

Role: Administrators

Unknown



```
Role: Operators
    Unknown
Role: Applications
    Unknown
Role: NBU_Security Admin
    Unknown
NBU_RES_Service:
    Role: NBU_Unknown
. . .
Operation completed successfully.
install_path\NetBackup\bin\admincmd\bpbaz -DelPerms -Group
TestGroup1 -Object NBU_RES_Policy -server test.domain.veritas.com
Operation completed successfully.
```

Example 7

Specifies what servers can perform Authorization checks as well as viewing what servers can perform Authorization checks. In addition, Disallows a server from performing Authorization checks:

The `-AllowAuthorization` option specifies which machines are allowed to perform authorization checks. The security administrator must specify which servers (Master or Media) are permitted to examine the Authorization database to perform authorization checks. The following examples demonstrate how to allow or disallow a machine to perform authorization.

```
install_path\NetBackup\bin\admincmd\bpbaz -AllowAuthorization
butterball.domain.veritas.com -server test.domain.veritas.com
Operation completed successfully.
```

```
install_path\NetBackup\bin\admincmd\bpbaz -ShowAuthorizers
-server test.domain.veritas.com
```

```
=====
```

```
Type: User
```

```
Domain Type: vx
```

```
Domain:NBU_Machines@test.domain.veritas.com
Name: butterball.domain.veritas.com
Operation completed successfully.
install_path\NetBackup\bin\admincmd\bpnbaz -DisallowAuthorization
butterball.domain.veritas.com -server test.domain.veritas.com
Operation completed successfully.
install_path\NetBackup\bin\admincmd\bpnbaz -ShowAuthorizers
-server test.domain.veritas.com
Operation completed successfully.
```

Example 8

Initial security boot strapping:

The user must run the `-SetupSecurity` option as root on the Az server. The user must then provide the login information for the first NetBackup Security administrator.

NOTE: Root on the system upon which the Az server is installed is always a security administrator.

```
install_path\NetBackup\bin\admincmd\bpnbaz -SetupSecurity
test.domain.veritas.com -server test.domain.veritas.com
Authentication Broker: test.domain.veritas.com
Authentication port[ Enter = default]:
Domain: domain.veritas.com
Name: ssosa
Password: Authentication type (NIS, NISplus, WINDOWS, vx, unixpwd:
NIS
Operation completed successfully.
```

SEE ALSO

bpnbat



bpfficorr NAME

bpfficorr - lists persistent snapshot information found in the NetBackup catalog for a specified client, and optionally deletes catalog entries for snapshots that no longer exist on the client.

SYNOPSIS

```
install_path\NetBackup\bin\admincmd\bpfficorr [-media]
[-hoursago hours] [-rotation] [-policy policy_name]
-client client_name
```

DESCRIPTION

For the specified client, bpfficorr lists the persistent snapshots currently found in the NetBackup catalog. Without the -media option, bpfficorr compares the catalog information to the actual information on the client, and removes any entries in the catalog that do not have corresponding snapshots on the client. This is useful if someone has renamed or removed a snapshot on the client.

Note Persistent snapshots are managed by NetBackup. Do not rename or remove a persistent snapshot; otherwise, the data cannot be restored.

The output of bpfficorr goes to standard output.

You must have root privileges to execute this command.

OPTIONS

-media

Lists all persistent snapshot entries found in the NetBackup catalog for the client specified on the -client option. The list includes the backup IDs and the media descriptions for each backup ID. See the *NetBackup System Administrator's Guide* for details on the media description.

-hoursago hours

Includes images written up to this many hours ago (1 or greater). The default is all images.

-policy policy_name

NetBackup lists the persistent snapshot information found in the NetBackup catalog for this policy for the specified client. The default is all policies that include the client specified on the -client option.

`-client client_name`

This is a required option. NetBackup lists the persistent snapshot information found in the NetBackup catalog for this client. This name must be as it appears in the NetBackup catalog. By default, `bppficorr` searches for all clients.

NOTES

`bppficorr` writes activity log information to the `/usr/opensv/netbackup/logs/admin` directory. You can use the information in the directory for troubleshooting.

EXAMPLES

Example 1

To resynchronize the NetBackup catalog with a client's actual snapshots:

```
install_path\NetBackup\bin\admincmd\bppficorr -client lupine
```

Example 2

To display the snapshots that are currently in the catalog for client `lupine`:

```
install_path\NetBackup\bin\admincmd\bppficorr -media -client  
lupine
```

Sample output:

Listing frozen image info from NBU catalog

```
-----  
backup_id          created          name  
-----  
1 lupine_1034167036  Wed Oct  9 07:37:16 2002  
1 vxvm:32:vxfs:/V1fs:/dev/vx/dsk/oradg/PFI-V1_1034167036  
2 lupine_1033995680  Mon Oct  7 08:01:20 2002  
1 vxfs_pfi:34:vxfs:/ora8data:VX+NBU+PFI+ORA+2002.10.07.08h01m20s  
3 lupine_1033880459  Sun Oct  6 00:00:59 2002  
1 vxfs_pfi:34:vxfs:/V1fs:VX+NBU+PFI+FS+2002.10.06.00h00m59s
```

FILES

```
install_path\NetBackup\logs\  

```



bplclients

NAME

bplclients - Administer the clients within NetBackup policies

SYNOPSIS

```
install_path\NetBackup\bin\admincmd\bplclients  
install_path\NetBackup\bin\admincmd\bplclients [policy_name |  
-allunique [-pt policy_type]] [-L | -l | -U | -noheader]  
[-M master_server,...] [-v]  
install_path\NetBackup\bin\admincmd\bplclients policy_name [-M  
master_server,...] [-v] -add host_name hardware os [priority]  
install_path\NetBackup\bin\admincmd\bplclients policy_name [-M  
master_server,...] [-v] -delete host_name ...  
install_path\NetBackup\bin\admincmd\bplclients policy_name [-M  
master_server,...] [-v] -modify host_name [-hardware  
hardware] [-os os] [-priority priority]  
install_path\NetBackup\bin\admincmd\bplclients policy_name -rename  
old_client_name new_client_name [-os os] [-hardware hardware]
```

DESCRIPTION

bplclients will do one of the following:

- ◆ Produce a listing of clients.
- ◆ Add a new client to a policy.
- ◆ Delete a list of clients from a policy.
- ◆ Modify an existing client in a policy.

For the `-add`, `-delete`, and `-modify` options, bplclients returns to the system prompt immediately after it submits the client change request to NetBackup. To determine whether the change was successful, run bplclients again to list the updated client information.

When the listing option is used, the list is ordered alphabetically by client name. Each client entry is on a single line, and there is a single entry for each client.

This command can be executed by authorized users. For more information about NetBackup authorization, refer to "Enhanced Authorization and Authentication" in the *NetBackup System Administrator's Guide*.

OPTIONS

The options used with `bplclients` depend on the form of `bplclients` being used.

The first form of `bplclients` has no options and produces a listing of information about the clients for all policies.

The second form of `bplclients` produces a listing of information about the clients for a single policy or for all policies. The following options apply to this form:

`policy_name` | `-allunique` [`-pt` `policy_type`]

`policy_name` specifies the name of a policy and lists client information only for the policy with this name.

`-allunique` without [`-pt` `policy_type`] lists client information for all policies defined for NetBackup on the master server.

If you use `-allunique -pt policy_type`, where `policy_type` is a specific policy type (such as Sybase), the command lists the client information only for the clients that belong to that type of policy.

If the command line contains neither the `policy_name` nor `-allunique` option, the listing contains client information for all policies.

These options, if used, must be the first option on the command line.

-L

List in long format. There is no two-line header at the top of the listing; the header is embedded in the line for each client. The line for each client includes the following fields:

Client/HW/OS/Pri: (the header)

Client name

Hardware type

Operating system

Priority

There are also four additional fields which can be ignored. These fields are either unused or used for internal processing.

-l

List in short format; this produces a terse listing and is also called *raw output mode*. There is no two-line header at the top of the listing; the header is embedded in the line for each client. The line for each client includes the following fields:

CLIENT (the header)

Client name

Hardware type

Operating system

Priority



There are also four additional fields which can be ignored. These fields are either unused or used for internal processing.

This option is useful for scripts or programs that rework the listing contents into a customized report format.

-U

List in user format. The listing consists of one line for each client, containing the hardware type, operating system, and client name. A two-line header begins the listing. This is the default format for the listing.

-noheader

List without any header. The listing consists of one line for each client, containing the hardware type, operating system, and client name.

-M *master_server*, . . .

A list of alternative master servers. This is a comma-delimited list of host names. If this option is present, each master server in the list runs the `bplclients` command. Each master server in the list must allow access by the system issuing the `bplclients` command. If an error occurs for any master server, processing stops at that point.

If `bplclients` is producing a listing, the listing is the composite of the information returned by all the master servers in this list.

If `bplclients` is adding, deleting, or modifying a client (explained later), the change is made on all the master servers in this list.

-v

Selects verbose mode. This option causes `bplclients` to log additional information for debugging purposes. The information goes into the NetBackup administration daily debug log. This option is meaningful only when NetBackup has debug logging enabled (*install_path*\NetBackup\logs\admin directory defined).

The next three forms of `bplclients` affect one or more clients in a single policy. The client will be added, deleted, or have its attributes modified within the policy. This form of `bplclients` uses the following options:

policy_name

Change the client information for this policy. This option must be the first option on the command line.

-M *master_server*, . . .

Explained earlier. This option must precede the `-add`, `-delete`, or `-modify` option on the command line.

-v

Explained earlier. This option must precede the `-add`, `-delete`, or `-modify` option on the command line.

Note The next three options, `-add`, `-delete`, and `-modify`, determine the change that `bplclients` makes to the clients for the policy. Any of these options, with its accompanying client information, must be the final option on the command line. Only one of these options can be used at a time.

- `-add` *host_name hardware os [priority]*
Add a client to the policy. If the local system already has the maximum number of clients defined, an error is returned. The installation default for the maximum number of clients is unlimited for NetBackup Enterprise Server and 4 for NetBackup Server. Specify the host name, hardware type, and operating system (see the definitions below). (*priority* is not implemented at this time)
- `-delete` *host_name ...*
Delete one or more clients from the policy. Up to twenty clients can be deleted at a time. The clients are provided as a space-delimited list of host names.
- `-modify` *host_name ...*
Modify the attributes for a client within a policy. The client has been added to the policy previously. The attribute values that follow the client name replace the previous equivalent attribute values for this client. At least one of the client's attributes must be modified. `-priority` is not implemented at this time.
- `-hardware` *hardware*
The hardware type of this client. Use one of the hardware types as displayed in the dialog box used for adding clients to a policy with the Backup Policy Management utility.
- `-os` *os*
The operating system of this client. Use one of the operating systems as displayed in the dialog box used for adding clients to a policy with the Backup Policy Management utility.
The values chosen for the hardware and os options must form a valid combination.
- `-priority` *priority*
Not implemented.

The following form of `bplclients` changes the name of the client in a policy and can also change the operating system and hardware type that is specified for the client. This form of `bplclients` uses the following options:

- `policy_name`
The policy that has the client. This option must be the first option on the command line.



- rename *old_client_name new_client_name*
old_client_name specifies the current name of the client and
new_client_name specifies the new name.
- hardware *hardware*
Specifies a different hardware type for the client. Use one of the hardware types as displayed in the dialog box used for adding clients to a policy with the Backup Policy Management utility.
- os *OS*
Specifies a different operating system for the client. Use one of the operating systems as displayed in the dialog box used for adding clients to a policy with the Backup Policy Management utility.
The values chosen for the hardware and os options must form a valid combination.

EXAMPLES

Example 1

While running on the master server, list the clients known to the master server.

```
bplclients
```

The output returned will look like the following:

Hardware	OS	Client
Novell	Novell 5.1	marge
Windows	Windows	marmot
HP9000	HP-UX 11.0	squash
PC	Windows	tigers

This command could also be entered on a client of hatt, with the same results.

Example 2

List the clients defined for the policy onepolicy:

```
bplclients onepolicy
```

Hardware	OS	Client
Sun	Solaris8	jeckle
IBM	AIX	streaky
HP9000	HP-UX 11.0	chilly
SGI	IRIX6.5.23	yak
Tru64-Alpha	TRU 5.1b	alpha
Sun	Solaris8	heckle
HP9000	HP-UX	shark

Example 3



Add the client marmot to the policy twopolicy on the master servers serv1 and serv2. marmot's hardware type is HP9000, and marmot's operating system is HP-UX 11.0. The default priority is used. (the command is all on one line)

```
bplclients twopolicy -M serv1,serv2 -add marmot HP9000 HP-UX 11.0
```

Example 4

Delete the clients marmot and vole from the policy twopolicy on the master servers serv1 and serv2. (the command is all on one line)

```
bplclients twopolicy -M serv1,serv2 -delete marmot vole
```

Example 5

While running on the master server hatt, list client information for policy BackTrack on the master server beaver:

```
bplclients BackTrack -M beaver
Hardware      OS              Client
-----
Sun           Solaris8       saturn
```

Example 6

Assume you have a policy called my_policy that has 1 client defined. The client name is pear, the operating system is Solaris2.6, and the hardware type is Solaris.

```
bplclients my_policy -rename pear apple -os MacOS \
-hardware MACINTOSH
```

This command changes the client name pear in my_policy to apple. It also changes the os from Solaris to MacOS and hardware from Solaris to Macintosh.

RETURN VALUES

An exit status of 0 means that the command ran successfully.

Any exit status other than 0 means that an error occurred.

If administrative logging is enabled, the exit status is logged in the administrative daily log under the directory *install_path*\NetBackup\logs\admin in the form:

```
bplclients: EXIT status = exit status
```

If an error occurred, a diagnostic precedes this message.



FILES

install_path\NetBackup\logs\admin*

install_path\NetBackup\db\policy*policy_name*\clients

SEE ALSO

bpplinfo

bpldelete

NAME

bpldelete - Delete policies from the NetBackup database.

SYNOPSIS

```
install_path\NetBackup\bin\admincmd\bpldelete policyname  
[-verbose] [-M master_server,...master_server]
```

DESCRIPTION

bpldelete deletes policies from the NetBackup database.

This command can be executed by any authorized users. For more information about NetBackup authorization, refer to "Enhanced Authorization and Authentication" in the *NetBackup System Administrator's Guide*.

OPTIONS

- M *master_server,...master_server*
Delete policy information for a specific master server(s). For example, to delete policy MWF_PM from master server Saturn, enter:
bpldelete MWF_PM -M Saturn
- verbose
Select verbose mode for logging.
- policyname*
Specifies the policy to remove from the NetBackup database.



bpplinclude

NAME

bpplinclude - Maintain the list of files automatically backed up by a NetBackup policy.

SYNOPSIS

```
install_path\NetBackup\bin\admincmd\bpplinclude policy_name [-v]
    [-M master_server, ...] -L | -l

install_path\NetBackup\bin\admincmd\bpplinclude policy_name [-v]
    [-M master_server, ...] -add path_name ...

install_path\NetBackup\bin\admincmd\bpplinclude policy_name [-v]
    [-M master_server, ...] -add -f filename

install_path\NetBackup\bin\admincmd\bpplinclude policy_name [-v]
    [-M master_server, ...] -delete path_name

install_path\NetBackup\bin\admincmd\bpplinclude policy_name [-v]
    [-M master_server, ...] -delete -f filename

install_path\NetBackup\bin\admincmd\bpplinclude policy_name [-v]
    [-M master_server, ...] -modify {old_path_name
    new_path_name} ...
```

DESCRIPTION

bpplinclude maintains the policy file list for a NetBackup policy. This is the list of files backed up when NetBackup runs an automatic backup for the policy. The policy file list does not apply to user backups or archives since users select the files when they start those operations.

bpplinclude performs one of the following operations:

- ◆ Adds pathnames to the policy file list
- ◆ Deletes pathnames from the policy file list
- ◆ Modifies pathnames in the policy file list
- ◆ Displays the policy file list for a policy

The `-add`, `-delete`, and `-modify` options include a list of pathnames. The list of pathnames must be the final part of the `bpplinclude` command line. The pathname must be the entire path from the root of the file system to the desired location. For the absolute pathname syntax for your client type, refer to the File-Path Rules topics in the *NetBackup System Administrator's Guide*. The last part of the path can be a filename, a directory name, or a wildcard specification. You can enclose pathnames in quotes. Use enclosing quotes if the pathname contains special characters or a wildcard specification.

File-Path Rules for does not verify the existence of the input directories or files. NetBackup backs up only the files it finds and does not require that all entries in the list be present on every client.

See the *NetBackup System Administrator's Guide* for additional information on policy file lists.

For database extensions, the input entries are scripts. NetBackup runs these during the backup. See the NetBackup guide that comes with the extension product for additional information.

For certain policy attributes (such as Allow Multiple Data Streams) and extension products (such as NetBackup for NDMP), the entries added to the policy file list may be directives, rather than pathnames. Refer to the *NetBackup System Administrator's Guide* or the NetBackup guide for the extension product.

The options `-l` and `-L` produce nearly identical displays of the policy file list.

`bplinclude` sends its error messages to `stderr`. `bplinclude` sends a log of its activities to the NetBackup admin log file for the current day.

This command can be executed by authorized users. For more information about NetBackup authorization, refer to "Enhanced Authorization and Authentication" in the *NetBackup System Administrator's Guide*.

OPTIONS

`-add path_name`

Add these `path_names` to the policy file list. A pathname must be enclosed in quotes (") if it contains special characters, such as blank(" "), or a wildcard specification. Use a blank to separate two pathnames, not a comma. `bplinclude` interprets a comma as part of the pathname. This means that `bplinclude` concatenates two or more comma-delimited pathnames into a single pathname with embedded commas. `bplinclude` does not verify the syntax or the existence of the pathnames. This option must be the final entry on the command line.

`-adds -f filename`

Add the file listed in "filename" to policy file list.

`-delete path_name`

Delete these `path_names` from the policy file list. Refer to `-add` for the pathname-list syntax. Deleting a pathname from the policy file list does not prevent you from recovering any backups or archives for that pathname. This option must be the final entry on the command line.

will add the files listed in "filelist_filename" file to policy file list.



- `-delete -f filename`
Deletes the file listed in "filename" from the policy file list.
- `-help`
Prints a command line usage message when `-help` is the only option on the command line.
- `-L`
Display the contents of the policy file list in long format.
- `-l`
Display the contents of the policy file list in compact format.

Note The `-l` and `-L` displays are similar.

- `-modify {old_path_name new_path_name}`
Modify an entry in the policy file list. The values are a list of pathname pairs `{old_path_name new_path_name}`. For each pathname pair, `new_name_path` replaces `old_name_path` in the policy file list. If no list entry matches `old_path_name`, then `new_path_name` is not entered into the policy file list. Refer to the `-add` option for the pathname syntax. Delimit the list entries with spaces, both within a pathname pair and between pathname pairs. This option must be the final entry on the command line.
- `-M master_server,...`
A list of master servers. This is a comma-separated list of hostnames. If this option is present, the command is run on each of the master servers in this list. The master servers must allow access by the system issuing the command. If an error occurs for any master server, processing stops at that point in the list. The default is the master server for the system where the command is entered.
- `-v`
Select verbose mode for logging. This is only meaningful when running with debug logging turned on (the `install_path\NetBackup\logs\admin` is defined).

OPERANDS

- `policy_name`
Specifies the policy for which the policy file list is to be set.

EXAMPLES

Example 1

While running on another master server `kiwi`, display the policy file list for policy `oprdoc_policy` on the master server `plim`:


```
bpplinclude oprdoc_policy -L -M plim
Include:          c:\oprdoc
```

Example 2

Illustrate bpplinclude's interpretation of wildcards by adding and deleting pathnames that include one wildcard entry:

```
bpplinclude mkbpolicy -add C:\yap C:\y*
bpplinclude mkbpolicy -L
Include: C:\yap
Include: C:\y*
bpplinclude mkbpolicy -delete C:\y*
bpplinclude mkbpolicy -L
Include: C:\yap
```

Note The wildcard entry `C:\y*` for `-delete` is not interpreted by bpplinclude as meaning that both `C:\yap` and `C:\y*` should be deleted. Only `C:\y*` is deleted from the include list for mkbpolicy. The interpretation of the wildcard occurs when NetBackup is selecting files to be backed up, during the actual backup.

Example 3

Add two entries to the policy file list for a policy, and then modify them:

```
bpplinclude mkbpolicy -add "C:\ima file" "C:\ura file"
bpplinclude mkbpolicy -L
Include: C:\ima file
Include: C:\ura file
bpplinclude mkbpolicy -modify "C:\ima file" "C:\ima file 2" "C:\ura
file" "C:\ura file 2"
bpplinclude mkbpolicy -L
Include: C:\ima file 2
Include: C:\ura file 2
```

Example 4

Add a raw partition to the policy file list for the policy rc (UNIX clients). The full path name for the device is used (the command is all on one line):

```
bpplinclude rc -add /devices/sbus@2,0/dma@2,81000/esp@2,80000/sd@6,0:h,raw
```

(see the Adding Unix Raw Partitions to the File List section of the *NetBackup System Administrator's Guide*).

Example 5

Display the policy file list for the policy mkb_policy:

```
bpplinclude mkb_policy -l
INCLUDE C:\services
INCLUDE C:\aliases
```



```
INCLUDE C:\Programs
```

RETURN VALUES

An exit status of 0 means that the command ran successfully.

Any exit status other than 0 means that an error occurred.

If administrative logging is enabled, the exit status is logged in the administrative daily log under the directory *install_path*\NetBackup\logs\admin in the form:

```
bpplinclude: EXIT status = exit status
```

If an error occurred, a diagnostic precedes this message.

FILES

```
install_path\NetBackup\logs\admin\*
```

```
install_path\NetBackup\drv\policy\policy_name\includes
```

SEE ALSO

bpplclients, bpplinfo, bpschedule, bppldelete, bppllist

bpplinfo

NAME

bpplinfo - Manage or display policy attributes for NetBackup.

SYNOPSIS

```
install_path\NetBackup\bin\admincmd\bpplinfo policy_name -L | -l |
-U [-v] [-M master_server,...]
```

```
install_path\NetBackup\bin\admincmd\bpplinfo policy_name -set |
-modify [-v] [-active | -inactive] [-blkincr flag]
[-collect_tir_info value] [-compress flag]
[-collect_bmr_info flag] [-crossmp flag] [-disaster flag]
[-ef effective_time] [-encrypt flag] [-follownfs flag]
[-keyword "keyword phrase"] [-M master_server,...]
[-multiple_streams flag] [-policyjobs max_jobs] [-pool
label] [-priority flag] [-pt policy_type] [-residence label]
[-rfile flag] [-ut] [-chkpt [1|0]] [-chkpt_intrvl
interval]
```

```
install_path\NetBackup\bin\admincmd\bpplinfo policy_name -help
```

DESCRIPTION

bpplinfo initializes, modifies, or displays the attribute values for a NetBackup policy. This command can be executed by authorized users. For more information about NetBackup authorization, refer to "Enhanced Authorization and Authentication" in the *NetBackup System Administrator's Guide*.

OPTIONS

The options used with bpplinfo depend on the form of bpplinfo being used.

The first form of bpplinfo displays a policy. The following options apply to this form:

```
policy_name -L | -l | -U
```

List information for this policy. This is a required option.

-L specifies a long list type and produces a listing with one policy attribute per line, in the format *policy_attribute: value*. The value may be expressed both in numeric and name form. Fields in the list include:

Policy Type

Active

Follow NFS Mounts (*applies only to NetBackup Enterprise Server*)

Cross Mount Points

Client Compress



Collect TIR Info
Policy Priority
Ext Security Info
File Restore Raw
Client Encrypt
Max Jobs/Policy
Mult. Data Stream
Snapshot
Backup Copy
Disaster Recovery
Collect BMR Info
Max Frag Size
Residence
Volume Pool

-l specifies a short list type and produces a terse listing. This option is useful for scripts or programs that rework the listing contents into a customized report format. A short listing contains the following information for the specified policy:

Line 1: "INFO", client_type, follow_nfs_mounts, client_compress, priority, proxy_client, client_encrypt, disaster recovery, max_jobs_per_policy, cross_mount_points, max_frag_size, active, collect_tir_info, block_incr, ext_sec_info, i_f_r_f_r, streaming, frozen_image, effective_date, policy ID, collect_bmr_info

Line 2: "KEY", keyword

Line 3: "BCMD", backup_command

Line 4: "RCMD", restore_command

Line 5: "RES", residence

Line 6: "POOL", pool

Line 7: "FOE", this field is not used

-U specifies a user list type and produces a listing with one policy attribute per line, in the format *policy_attribute: value*. This listing is similar to the -L listing, but contains fewer fields.

-v

Selects verbose mode. This option causes `bpplinfo` to log additional information for debugging purposes. The information goes into the NetBackup administration daily debug log. This option is meaningful only when NetBackup has debug logging enabled (*install_path*\NetBackup\logs\admin directory defined).

`-M master_server,...`

A list of alternative master servers. This is a comma-delimited list of hostnames. If this option is present, each master server in the list runs the `bplinfo` command. Each master server in the list must allow access by the system issuing the `bplinfo` command. If an error occurs for any master server, processing terminates at that point.

For the display form of `bplinfo`, the report is the composite of the information returned by all the master servers in this list. `bplinfo` queries each of these master servers. The master server returns information from its policy catalog.

For the policy-definition form of `bplinfo`, the policy is created or modified on each master server in the list.

The default is the master server for the system running `bplinfo`.

The second form of `bplinfo` initializes attribute values for a policy or modifies the attribute values for a policy. The following options apply to this form:

Note Not all options apply to every policy type. For instance, if the policy type is *MS-Windows*, `bplinfo` accepts the options `-compress` and `-crossmp`. When `bplinfo` completes, it returns a zero status. However, NetBackup's subsequent handling of the policy with the *MS-Windows* policy type is as though the options had not been set.

`-active | -inactive`

Set the policy to active or inactive. If the policy is active, NetBackup runs all its automatic schedules and permits user-directed backups and archives to be used. A policy must be active for an automatic backup to occur. This is the default.

If the policy is inactive, NetBackup does not run any automatic schedules or permit user-directed schedules to be used. This option is useful for temporarily inactivating a policy to prevent schedules from being used.

`-blkincr flag`

Note This option applies only if you are running NetBackup Enterprise Server and also have VERITAS Oracle Edition, which supports block-level incrementally.

0 (disabled) or 1 (enabled). Perform block-level-incremental backups for clients in this policy.

If 1, do perform block-level-incremental backups.

If 0, do not perform block-level-incremental backups.



- `-chkpt [1|0]`
Enables and disables the checkpoint restart for the policy. If 1, the command enables the checkpoint restart. If 0, the command disables the checkpoint restart. The default is 0.
- `-chkpt_intrvl interval`
Enables and disables the checkpoint interval for the policy. The variable *interval* is the checkpoint interval in minutes. The default interval is 15 minutes. The range for this interval is between 5 and 180 minutes. If the checkpoint restart is not enabled, then this parameter has no effect.
- `-collect_tir_info value`
Collect true-image-recovery (TIR) information. True-image recovery allows NetBackup to restore a directory to exactly what it was at the time of any scheduled full or incremental backup. Files deleted before the time of the selected backup are not restored. After enabling this attribute, NetBackup starts collecting additional information beginning with the next full or incremental backup for the policy.
If 0, NetBackup does not keep track of true-image-recovery information.
If 1, NetBackup collects TIR information.
If 2, NetBackup collects TIR information and tracks client files.
- `-collect_bmr_info flag`
Collect Bare Metal Restore information.
If *flag* is 0, do not collect Bare Metal Restore information.
If *flag* is 1, collect Bare Metal Restore information.
If `-collect_bmr_info` is set to 1 and Bare Metal Restore is not licensed or the policy type is not Standard or MS-Windows, `bpplinfo` will fail.
If `-collect_bmr_info` is set to 1 but the policy does not collect true image restore information with move detection, Bare Metal Restore will ignore incremental backups and restore files from the last full backup.
- `-compress flag`
0 (disabled) or 1 (enabled). Specifies whether to compress files or not. If 1, the files selected are compressed by the client software onto the media. Compression may increase total backup time. If 0, the files are not compressed onto the media. This is the default.
This option has no effect on the hardware compression that may be available on the storage unit.
- `-crossmp flag`
0 (disabled) or 1 (enabled). Specifies whether to cross mount points during backups or not.
If 1, NetBackup backs up or archives all files and directories in the selected path regardless of the file system on which they reside.

If 0, NetBackup backs up or archives only those files and directories that are on the same file system as the selected file path. This is the default. This attribute can affect the **Follow NFS** policy attribute, which applies only to NetBackup Enterprise Server. Refer to the NetBackup system administrator's guide for more details.

`-disaster 0|1`

Collect information required for intelligent disaster recovery. This attribute applies only when you back up Windows clients.

0 = Do not allow disaster recovery (Default)

1 = Allow disaster recovery

`-ef effective time`

This time specifies the time the policy will be active.

`-encrypt flag`

0 (disabled) or 1 (enabled). Specifies whether files should be encrypted or not.

If 1, encryption is enabled.

`-follownfs 0|1`

Note The following `nfs` option applies only to NetBackup Enterprise Server

0 (disabled) or 1 (enabled). Specifies whether to follow NFS mount points or not. For policy types MS-Windows and OS/2, setting this flag affects the policy attribute **Backup Network Drives** instead of the **Follow NFS** attribute.

If 1, NetBackup backs up or archives any NFS-mounted files encountered.

If 0, NetBackup does not back up or archive any NFS-mounted files encountered. This is the default.

The behavior of this attribute varies somewhat depending on the setting of the **Cross Mount Points** attribute. Refer to the *NetBackup System Administrator's Guide* for more details.

`-keyword "keyword phrase"`

The value will be associated with all backups created using this policy. The keyword phrase can be used to link related policies. It can also be used during restores to search only for backups that have the keyword phrase associated with them.

`-M master_server, . . .`

Same as explained earlier.



- `-multiple_streams` *flag*
0 (disabled) or 1 (enabled). Allow Multiple Data Streams.
If 1, allow multiple data streams.
If 0, do not allow multiple data streams.
- `policy_name` `-set` | `-modify`
Initialize or modify attributes for this policy. This is a required option.
`-set` initializes (or reinitializes) attributes for the policy to their default values, except for those attributes set by options on the current command line.
`-modify` modifies attributes for the policy. Attributes that are not explicitly set by options on the current command line do not change their values.
- `-pool` *label*
Specifies the volume pool for the policy. The default is NetBackup. The volume pool should be one of the volume pools for the policy storage unit. This attribute is not relevant if a disk storage unit is the residence for the policy. If the policy storage unit is Any_available (Residence: - appears on the bpplinfo display), the volume pool for any storage unit can be selected. If "*NULL*" is specified, the volume pool is set to NetBackup. To display the configured volume pools, run `install_path\Volmgr\bin\vmppool -listall`.
- `-policyjobs` *max_jobs*
The maximum number of concurrent jobs that NetBackup allows for this policy (corresponds to the Limit Jobs per Policy setting in the administration interface). *max_jobs* is always greater than or equal to 0. For the default or when `-policyjobs` is 0, bpplinfo sets *max_jobs* to a value that corresponds to unlimited. The effective maximum number of jobs in this instance is 8 for NetBackup and 2003 for NetBackup Enterprise Server.
- `-priority` *flag*
The priority of this policy in relation to other policies. Priority is greater than or equal to 0. This value determines the order in which policies are run. The higher the value, the earlier the policy is run. The default is 0, which is the lowest priority.
- `-pt` *policy_type*
Specify the policy type by entering one of the following character strings (the default is Standard):
Informix-On-BAR
MS-Exchange-Server
MS-SQL-Server

MS-Windows
 NDMP
 NetWare
 Oracle
 OS/2
 Standard
 Sybase

Note The following policy types apply only to NetBackup Enterprise Server.

AFS
 DataTools-SQL-BackTrack
 DB2
 FlashBackup
 SAP
 Split-Mirror

-residence *label*

Specifies the label of the storage unit for storing the backups created according to this schedule. The default is Any_available. This allows the policy to use any storage unit which has the attribute On Demand Only? set to No. If the policy needs to use a specific storage unit or the storage unit desired has the attribute On Demand Only? set to Yes, then specify the storage unit. If "*NULL*" is specified, the residence for the schedule is set (or reset) to Any_available. The policy residence determines the residence for the policy schedules, unless the Override Policy Storage Unit setting on an individual schedule specifies a residence. Run `bpstulist` to display the set of defined storage units..

-rfile *flag*

0 (disabled) or 1 (enabled).

If 1, allow Individual File Restore From Raw.

If 0, do not allow Individual File Restore From Raw.

For a FlashBackup policy, this option is ignored, since the attribute is always enabled.

NOTE: Advanced Client is available only if you are running NetBackup Enterprise Server and have the separately-priced option.

-ut

Any of the date/time arguments that follow `-ut` will be accepted as UNIX time, instead of the standard time format. The `-ut` option is used primarily for Java.



The third form of `bpplinfo` (not shown in the synopsis) shows usage information and has only one option as follows:

`-help`

Prints a command line usage message when `-help` is the only option on the command line.

EXAMPLES

Note References to NFS Mounts in the following examples apply only to NetBackup Enterprise Server.

Example 1

To set the storage unit of the policy `tstpolicy` to `tstunit` and view the results, perform the following:

```
bpplinfo tstpolicy -modify -residence tstunit
bpplinfo tstpolicy -L
Policy Type:          Standard (0)
Active:              no
Effective:           no
Follow NFS Mounts:  no
Cross Mount Points: no
Client Compress:    no
Collect TIR Info:   no
Policy Priority:     0
Ext Security Info:  no
File Restore Raw:   no
Client Encrypt:     no
Max Jobs/Policy:    8
Mult. Data Streams: 1
Block Level Incremental: no
Perform Snapshot Backup: no
Backup Copy:        0
Date Mover Type:    2
Use Alternate Client: no
Alternate Client Name: (none)
Enable Instant Recovery: no
Disaster Recovery:  0
Collect BMR Info:   no
Max Frag Size:      0 MB (1048576 MB)
Checkpoint Restart: no
Residence:          tstunit
Volume Pool:        NetBackup
```

Example 2



To set the attributes of policy `tstpolicy` back to their default values, perform the following:

```
bpplinfo tstpolicy -set
bpplinfo tstpolicy -L
Policy Type:          Standard (0)
Active:               yes
Follow NFS Mounts:   no
Cross Mount Points:  no
Client Compress:     no
Collect TIR Info:    no
Policy Priority:      0
Ext Security Info:   no
File Restore Raw:    no
Client Encrypt:      no
Multiple Streams:    0
Disaster Recovery:   0
Max Jobs/Policy:     8
Disaster Recovery:   0
Collect BMR Info:    no
Max Frag Size:       0 MB (1048576 MB)
Residence:           -
Volume Pool:         NetBackup
```

Example 3

The following is an example of a short listing for the policy named `mkbpolicy`:

```
bpplinfo mkbpolicy -l
INFO 0 0 0 0 *NULL* 0 0 99 0 0 0 0 0 0 0 *NULL* 1
KEY my temp directory
BCMD *NULL*
RCMD *NULL*
RES mkbunit *NULL* *NULL* *NULL* *NULL* *NULL* *NULL* *NULL* *NULL*
POOL NetBackup *NULL* *NULL* *NULL* *NULL* *NULL* *NULL* *NULL* *NULL*
FOE 0 0 0 0 0 0 0 0 0 0
```

FILES

install_path\NetBackup\logs\admin/*

install_path\NetBackup\db\policy*policy_name*\info



bppllist

NAME

bppllist - List policy information.

SYNOPSIS

```
install_path\NetBackup\bin\admincmd\bppllist [polycyname] [-L | -l |  
-U] [-allpolicies] [-M master_server,...,master_server]  
[-hwos] [-byclient client] [-keyword "keyword  
phrase"] [-verbose]
```

DESCRIPTION

bppllist lists policies within the NetBackup database.

This command can be executed by any authorized users. For more information about NetBackup authorization, refer to "Enhanced Authorization and Authentication" in the *NetBackup System Administrator's Guide*.

OPTIONS

- allpolicies
Lists all policies.
- hwos
Lists possible hardware and the operating system.
- L
Displays a full listing.
- l
Displays information in raw output mode.
- M *master_server,...,master_server*
Lists policy information for a specific master server(s).
- U
Displays information in the style used by xbpadm.
- byclient *client*
Lists policy information for all policies containing the client indicated.
- keyword "*keyword phrase*"
The value will be associated with all backups created using this policy. The keyword phrase can be used to link related policies. It can also be used during restores to search only for backups that have the keyword phrase associated with them.

policyname

Specifies the policy in the NetBackup database.

-verbose

Select verbose mode for logging.



bppsched

NAME

bppsched - Add, delete, or list NetBackup schedules.

SYNOPSIS

```
install_path\NetBackup\bin\admincmd\bppsched policy_name [-v] [-M  
master_server...] [-L | -l | -U] [-label sched_label]  
install_path\NetBackup\bin\admincmd\bppsched policy_name [-v] [-M  
master_server...] -delete sched_label ...  
install_path\NetBackup\bin\admincmd\bppsched policy_name [-v] [-M  
master_server...] -deleteall  
install_path\NetBackup\bin\admincmd\bppsched policy_name [-v] [-M  
master_server...] -add sched_label [-st sched_type] [-freq  
frequency] [-mpxmax mpx_factor] [-number_copies number]  
[-synthetic 0|1] [-pfi_fast_recovery 0|1] [-rl  
retention_level [, rl-copy2, ..., rl-copyn]] [-residence  
storage_unit_label [, stunit-copy2, ..., stunit-copyn]] [-pool  
volume_pool_label [, pool-copy2, ..., pool-copyn]]  
[-fail_on_error 0|1 [, 0|1, ..., 0|1]] [-window  
start_duration] [-cal 0|1|2] [-ut] [-incl mm/dd/yyyy]  
[-excl mm/dd/yyyy] [-weekday day_name_week] [-dayomonth  
1-31 or 1]
```

DESCRIPTION

bppsched will do one of the following:

- ◆ Add a new schedule to a policy.
- ◆ Delete one or more schedules from a policy.
- ◆ Delete all the schedules from a policy.
- ◆ List one or all schedules in a policy.

For the `-add` and `-delete` options, bppsched returns to the system prompt immediately after it submits the schedule change request to NetBackup. To determine whether the change was successful, run bppsched again to list the updated schedule information.

When the listing option is used there is a single entry for each schedule, even if the `-M` option is used. The `-l` form lists the information for each schedule on several lines. `-l` does not identify the attributes by name; these are as follows (where the names are not described, they are reserved for internal NetBackup use):

Line 1: SCHED, schedule name, type, max_mpx, frequency, retention level, u_wind/o/d, 2 internal attributes, maximum fragment size, calendar, number of copies, and fail on error. Note that u_wind/o/d is a field reserved for future use. This is also true for the u_wind entry in the -L display.

Line 2: SCHEDWIN, seven pairs of the form *start,duration*, expressing the start and duration of the window for each day of the week, starting with Sunday.

Line 3: SCHEDRES, residence (a value for each copy).

Line 4: SCHEDPOOL, pool (a value for each copy).

Line 5: SCHEDRL, retention level (a value for each copy).

Line 6: SCHEDFOE, fail on error (a value for each copy).

If the -M option is used, bpplsched performs the operation on each of the master servers listed. For instance, if bpplsched is adding a schedule, bpplsched adds the schedule to the policy on each of the master servers listed for -M. If the -M option is used on a listing request, the listing is the composite of the information returned by all of the master servers in the -M list. If the command fails for any of the master servers, activity stops at that point.

To modify an existing NetBackup schedule, use the NetBackup command bpplschedrep.

This command can be executed by authorized users. For more information about NetBackup authorization, refer to "Enhanced Authorization and Authentication" in the *NetBackup System Administrator's Guide*.

OPTIONS

These options are common to all forms of bpplsched:

policy_name

The name of the policy that contains the schedules. The policy must exist before running this command. This option is required, and must be the first one on the command line.

-help

Prints a command line usage message when -help is the only option on the command line.

-M *master_server, . . .*

A list of alternative master servers. This is a comma-separated list of host names. If this option is present, each master server in the list runs the bpplsched command. Each master server in the list must allow access by the system issuing the bpplsched command.



If this option is present, the command is run on each master server in the list. If an error occurs for any master server, processing terminates at that point.

If `bppsched` is producing a listing, the listing is the composite of the information returned by all the master servers in this list.

If `bppsched` adds or deletes a schedule, all master servers in this list receive the change.

`-v`

Selects verbose mode. This option causes `bppsched` to log additional information for debugging purposes. The information goes into the NetBackup administration debug log. This option is meaningful only when NetBackup has debug logging enabled (*install_path*\NetBackup\logs\admin directory defined).

The remaining options depend on the form of `bppsched`. The first form of `bppsched` adds a schedule to the named policy. The following options apply to this form of `bppsched`:

`-add sched_label [suboptions]`

Add a single schedule to the named policy.

The suboptions for the `-add` option explained below. These are attributes of the schedule being added. Refer to the *NetBackup System Administrator's Guide* for details on schedules and their attributes.

`-cal 0|1|2`

Indicates whether `bppsched` is following a calendar-based schedule or a frequency-based schedule.

0 = frequency-based schedule

1 = calendar-based schedule with no retries after run day

2 = calendar-based schedule with retries after run day

`-dayomonth 1-31 | l`

Specifies the day of every month to run the schedule. Enter `l` (lowercase L) to run the last day of every month, whether the month contains 28, 29, 30, or 31 days.

For example, to run the schedule the 15th day of every month, enter:

`-dayomonth 15`

To run the last day of every month, enter:

`-dayomonth l`

`-excl mm/dd/yyyy`

Indicates to exclude this single date.

- `-fail_on_error 0|1[,0|1,...,0|1]`
 Specifies whether to fail all other copies if one copy fails. If no parameter is specified, 0 is default for all copies. Specify a value for each copy.
 0 = Do not fail the other copies
 1 = Fail other copies
- `-freq frequency`
 Determines how often backups run. Represents the number of seconds between backups initiated according to this schedule. Valid range for this option is 0 through 2419200 (number of seconds in four weeks). When omitted on the command line, the default value is 604800 (duration of one week in seconds).
- `-incl mm/dd/yyyy`
 Indicates to include this single date.
- `-mpxmax mpx_factor`
 This is the maximum number of jobs for this schedule that NetBackup will multiplex on any one drive. *mpx_factor* is an integer that can range from 1 through 8 for NetBackup Server and 1 through 32 for NetBackup Enterprise Server. A value of 1 means that backups for this schedule are not multiplexed. The default is no multiplexing.
- `-number_copies number`
 Specify the number of simultaneous backup copies. The minimum value is 1. The maximum value is 4 or the Maximum Backup Copies global parameter, whichever is smaller. The default is 1.
- `-pfi_fast_recovery 0|1`
 Enables the user to turn on the feature to retain snapshots for Instant Recovery. The default value is 0, meaning this feature is disabled. A value of 1, enables this feature.
- `-pool volume_pool_label [, pool-copy2, ... pool-copyn]`
 This is the name of the volume pool. This choice overrides the policy-level volume pool. Entering `"*NULL*"` causes NetBackup to use the volume pool specified at the policy level. The default is to use the volume pool specified at the policy level. The volume pool label cannot be None. If you do not specify a volume pool at either the schedule level or the policy level, NetBackup uses a default value of NetBackup.
 When specifying `-number_copies` greater than 1, specify a pool for each copy.
- `-residence storage_unit_label [, stunit-copy2, ... stunit-copyn]`
 This is the name of the storage unit, which specifies the location of the backup images. The value `"*NULL*"` causes NetBackup to use the storage unit specified at the policy level. The default is for NetBackup to use the



storage unit specified at the policy level. If you do not specify a storage unit at either the schedule level or the policy level, NetBackup uses the next storage unit available.

When specifying `-number_copies` greater than 1, specify a residence for each copy.

`-rl retention_level [, rl-copy2, . . . , rl-copyn]`

The retention level determines how long to retain backups and archives. The retention_level is an integer between 0 and 24. The default retention level is 1. Valid retention levels and their corresponding default retention times are listed below.

When specifying `-number_copies` greater than 1, specify a retention level for each copy.

CAUTION: Because the retention period associated with each level can be changed by using the NetBackup administration interface, your configuration may have different values for each level than those shown here. Use the NetBackup administration interface to determine the actual retention periods before making any changes with this command. Otherwise, backups could expire sooner than you expect, resulting in loss of data.

0	1 week
1	2 weeks
2	3 weeks
3	1 month
4	2 months
5	3 months
6	6 months
7	9 months
8	1 year
9 - 24	infinite

`-st sched_type`

This is the type of the schedule. The default schedule type is FULL. Here are the possible values, with their meanings, for this attribute:

- FULL - full
- INCR - differential incremental
- CINC - cumulative incremental
- UBAK - user backup
- UARC - user archive

- `-synthetic 0|1`
Enables the user to determine which schedule is going to occur. A value of 0 (the default value) means the schedule is a real (non-synthetic) backup schedule. A value of 1 means the schedule is a synthetic backup schedule.
- `-ut`
Any of the date/time arguments that follow `-ut` will be accepted as UNIX time, instead of the standard time format. The `-ut` option is used primarily for Java.
- `-weekday day_name week`
Specifies a day of the week, and the week of the month, as a run day in the schedule.
The *day_name* is: Sunday, Monday, Tuesday, Wednesday, Thursday, Friday, or Saturday.
The *week* is the number of the week in the month.
For example, to instruct the policy to run the second Monday of the month, enter:
`-weekday Monday 2`
- `-window start duration`
Specifies when NetBackup can run the backups for this schedule. Every day of the week has the same window.
start is the time at which the backup window opens for this schedule. This is the number of seconds since midnight. This is an integer between 0 and 86399 (there are 86400 seconds in a day).
duration is the length of time that the window remains open. The time unit is seconds. This is a non-negative integer.

The second form of `bppsched` deletes one or more schedules from the named policy. The following option applies to this form of `bppsched`:

- `-delete sched_label`
Delete the listed schedules from the named policy. The elements of the *sched_label* list must be separated by spaces. There can be up to 25 labels in the list.

The third form of `bppsched` deletes all schedule from the named policy. The following option applies to this form of `bppsched`:

- `-deleteall`
Delete all schedules from the named policy.

The fourth form of `bppsched` produces a listing of information about the schedules for the named policy. The following options apply to this form of `bppsched`:



- l
The list type is short. This is the default list type. This produces a terse listing that includes all attributes for the schedule. Each schedule occupies one line of the listing. Most attribute values are expressed numerically. This option is useful for scripts or programs that rework the listing contents into a customized report format.
- L
The list type is long. This listing includes all attributes for the schedule. Some attribute values are descriptive terms, rather than numbers.
- label *sched_label*
List the attributes for this schedule in the named policy. The default is to list information for all schedules for the named policy.
- U
The list type is user. This listing is similar to the long-type listing, but it has fewer entries. Most attribute values are descriptive terms, rather than numbers.

EXAMPLES

Example 1

In this example, `bpplsched` lists the information for schedule `user` within policy `tstpolicy` in two different ways. The first display is in long mode. The second is in User mode, which shows fewer entries than the Long mode display.

```
bpplsched tstpolicy -L -label user
Schedule:          user
Type:              UBAK (2)
Frequency:         1 day(s) (86400 seconds)
Retention Level:  0 (1 week)
u-wind/o/d:        0 0
Incr Type:         DELTA (0)
Incr Depends:     (none defined)
Max Frag Size:    0 MB (1048576 MB)
Maximum MPX:      1
Number copies:    1
Fail on Error:    0
Residence:        (specific storage unit not required)
Volume Pool:      (same as policy volume pool)
Daily Windows:
Day      Open          Close          W-Open         W-Close
Sunday   000:00:00  024:00:00    000:00:00    024:00:00
Monday   000:00:00  024:00:00    024:00:00    048:00:00
Tuesday  000:00:00  024:00:00    048:00:00    072:00:00
Wednesday 000:00:00  024:00:00    072:00:00    096:00:00
```

```

Thursday    000:00:00  024:00:00   096:00:00  120:00:00
Friday      000:00:00  024:00:00   120:00:00  144:00:00
Saturday    000:00:00  024:00:00   144:00:00  168:00:00

```

```

bppsched tstpolicy -U -label user
Schedule:          user
Type:              User Backup
Retention Level:  0 (1 week)
Maximum MPX:      1
Number copies:    1
Fail on Error:    0
Residence:         (specific storage unit not required)
Volume Pool:      (same as policy volume pool)
Daily Windows:
  Sunday    00:00:00  -->  Sunday    24:00:00
  Monday    00:00:00  -->  Monday    24:00:00
  Tuesday   00:00:00  -->  Tuesday   24:00:00
  Wednesday 00:00:00  -->  Wednesday 24:00:00
  Thursday  00:00:00  -->  Thursday  24:00:00
  Friday    00:00:00  -->  Friday    24:00:00
  Saturday  00:00:00  -->  Saturday  24:00:00

```

Example 2

While running on the system hatt, list information for the schedule named full in policy tstpolicy, as defined on the master server beaver:

```

bppsched tstpolicy -M beaver -L -label full
Schedule:          full
Type:              FULL (0)
Frequency:         0+ day(s) (14400 seconds)
Retention Level:  0 (1 week)
u-wind/o/d:       0 0
Incr Type:         DELTA (0)
Incr Depends:     (none defined)
Max Frag Size:    0 MB (1048576 MB)
Maximum MPX:      1
Number copies:    1
Fail on Error:    0
Residence:         (specific storage unit not required)
Volume Pool:      (same as policy volume pool)
Daily Windows:
Day      Open      Close      W-Open     W-Close
Sunday   000:00:00  024:00:00  000:00:00  024:00:00
Monday   000:00:00  024:00:00  024:00:00  048:00:00
Tuesday  000:00:00  024:00:00  048:00:00  072:00:00
Wednesday 000:00:00  024:00:00  072:00:00  096:00:00
Thursday 000:00:00  024:00:00  096:00:00  120:00:00

```



```
Friday      000:00:00  024:00:00  120:00:00  144:00:00
Saturday    000:00:00  024:00:00  144:00:00  168:00:00
```

Example 3

The following example adds a new schedule, `full_2`, to the policy `tstpolicy` on `beaver`, and then lists the new schedule in Long mode. These commands run on the system `hatt`:

```
bppsched tstpolicy -M beaver -add full_2
bppsched tstpolicy -M beaver -label full_2 -L
Schedule:          full_2
Type:              FULL (0)
Frequency:         7 day(s) (604800 seconds)
Retention Level:  1 (2 weeks)
u-wind/o/d:       0 0
Incr Type:        DELTA (0)
Incr Depends:     (none defined)
Max Frag Size:   0 MB (1048576 MB)
Maximum MPX:      1
Number copies: 1
Fail on Error: 0
Residence:        (specific storage unit not required)
Volume Pool:      (same as policy volume pool)
Daily Windows:
Day      Open      Close      W-Open      W-Close
Sunday   000:00:00  000:00:00
Monday   000:00:00  000:00:00
Tuesday  000:00:00  000:00:00
Wednesday 000:00:00  000:00:00
Thursday 000:00:00  000:00:00
Friday   000:00:00  000:00:00
Saturday 000:00:00  000:00:00
```

Example 4

In this example, `bppsched` deletes the schedules, `full_3`, `user`, `user_2`, and `user_3` from policy `tstpolicy`:

```
bppsched tstpolicy -delete full_3 user user_2 user_3
```

Example 5

In this example, `bppsched` lists the schedule information for policy `tstpolicy`:

```
bppsched tstpolicy -L
Schedule:          full
Type:              FULL (0)
Frequency:         1 day(s) (86400 seconds)
Retention Level:  0 (1 week)
u-wind/o/d:       0 0
Incr Type:        DELTA (0)
```

```

Incr Depends:      (none defined)
Max Frag Size:    0 MB (1048576 MB)
Maximum MPX:      1
Number copies:1
Fail on Error:0
Residence:        (specific storage unit not required)
Volume Pool:      (same as policy volume pool)
Daily Windows:
Day              Open          Close          W-Open         W-Close
Sunday          000:00:00    024:00:00    000:00:00    024:00:00
Monday          000:00:00    024:00:00    024:00:00    048:00:00
Tuesday         000:00:00    024:00:00    048:00:00    072:00:00
Wednesday       000:00:00    024:00:00    072:00:00    096:00:00
Thursday        000:00:00    024:00:00    096:00:00    120:00:00
Friday          000:00:00    024:00:00    120:00:00    144:00:00
Saturday        000:00:00    024:00:00    144:00:00    168:00:00

```

```

Schedule:          user
Type:              UBAK (2)
Frequency:         1 day(s) (86400 seconds)
Retention Level:  0 (1 week)
u-wind/o/d:       0 0
Incr Type:        DELTA (0)
Incr Depends:     (none defined)
Max Frag Size:    0 MB (1048576 MB)
Maximum MPX:      1
Number copies:1
Fail on Error:0
Residence:        (specific storage unit not required)
Volume Pool:      (same as policy volume pool)
Daily Windows:
Day              Open          Close          W-Open         W-Close
Sunday          000:00:00    024:00:00    000:00:00    024:00:00
Monday          000:00:00    024:00:00    024:00:00    048:00:00
Tuesday         000:00:00    024:00:00    048:00:00    072:00:00
Wednesday       000:00:00    024:00:00    072:00:00    096:00:00
Thursday        000:00:00    024:00:00    096:00:00    120:00:00
Friday          000:00:00    024:00:00    120:00:00    144:00:00
Saturday        000:00:00    024:00:00    144:00:00    168:00:00

```

Example 6

In this example, bpplsched adds a new schedule, full, with a window from 11 pm to midnight. The second bpplsched lists the information for schedule full:

```
bpplsched elevenpm -add full -window 82800 3600
```



```

bpplsched elevenpm -U -label full
Schedule:          FULL (0)
Type:             Full Backup
Frequency:        every 7 days (604800 seconds)
Retention Level:  1 (2 weeks)
Maximum MPX:     1
Number copies:   1
Fail on Error:   0
Residence:       (specific storage unit not required)
Volume Pool:     (same as policy volume pool)
Daily Windows:
  Sunday      23:00:00 --> Sunday      24:00:00
  Monday      23:00:00 --> Monday      24:00:00
  Tuesday     23:00:00 --> Tuesday     24:00:00
  Wednesday   23:00:00 --> Wednesday   24:00:00
  Thursday    23:00:00 --> Thursday    24:00:00
  Friday      23:00:00 --> Friday      24:00:00
  Saturday    23:00:00 --> Saturday    24:00:00

```

FILES

install_path\NetBackup\logs\admin*

install_path\NetBackup\db\policy*policy_name*\schedule

SEE ALSO

bpplschedrep

bpplschedrep

NAME

bpplschedrep - Modify the attributes of a NetBackup schedule.

SYNOPSIS

```
install_path\NetBackup\bin\admincmd\bpplschedrep policy_name
sched_label [ -M master_server, ... ] [-v] [-st sched_type]
[-freq backup_frequency] [-mpxmax mpx_factor] [-cal 0|1|2]
[-incl mm/dd/yyyy] [-excl mm/dd/yyyy] [-delincl
mm/dd/yyyy] [-delexcl mm/dd/yyyy] [-weekday day_name
week] [-dayomonth 1-31|1] [-delweekday day_name week]
[-deldayomonth 1-31|1] [-ci] [-ce] [-cw] [-cd]
[-number_copies number] [-rl
retention_level[, rl-copy2, ... , rl-copyn]] [-fail_on_error
0|1[, 0|1, ... , 0|1]] [-residence
storage_unit_label[, stunit-copy2, ... stunit-copyn]] [-pool
volume_pool_label[, pool-copy2, ... pool-copyn]] [-(0..6) start
duration]
```

DESCRIPTION

bpplschedrep changes the attributes of a NetBackup schedule. The schedule and policy named by bpplschedrep should already exist when this command is run. If the -M option is used, bpplschedrep changes the schedule on each of the master servers listed.

This command can be executed by authorized users. For more information about NetBackup authorization, refer to "Enhanced Authorization and Authentication" in the *NetBackup System Administrator's Guide*.

OPTIONS

-(0..6) *start duration*

Specifies the window during which NetBackup can run the backups for this schedule. This window applies to a specific day of the week. 0 corresponds to Sunday, 1 to Monday, and so on.

start is the time at which the backup window opens for this schedule. This is the number of seconds since midnight. It is an integer between 0 and 86400 (the number of seconds in a day).

duration is the length of time that the window remains open. The time unit is seconds. This is a non-negative integer.

-cal 0|1|2

Indicates whether bpplschedrep is following a calendar-based schedule or a frequency-based schedule.



0 = frequency-based schedule

1 = calendar-based schedule with no retries after run day

2 = calendar-based schedule with retries after run day

`-dayomonth 1-31|1`

Specifies the day of every month to run the schedule. Enter 1 (lowercase L) to run the last day of every month, whether the month contains 28, 29, 30, or 31 days.

For example, to run the schedule the 15th day of every month, enter:

`-dayomonth 15`

To run the last day of every month, enter:

`-dayomonth 1`

`-deldayomonth 1-31|1`

Specifies a day of every month to be excluded as a run day. Enter 1 (lowercase L) to exclude the last day of every month, whether the month contains 28, 29, 30, or 31 days. This command can only remove dates that were added by using the `-dayomonth` command.

For example, to exclude the 20th day of every month from the schedule, enter:

`-deldayomonth 20`

`-delweekday day_name week`

Specifies a day of the week and the week of the month to be excluded as a run day from the schedule. This command can only remove dates that were added by using the `-weekday` command.

The *day_name* is: Sunday, Monday, Tuesday, Wednesday, Thursday, Friday or Saturday.

The *week* is the number of the week in the month.

For example, to exclude the second Monday of the month, enter:

`-delweekday Monday 2`

`-excl mm/dd/yyyy`

Indicates to exclude this single date.

`-delincl mm/dd/yyyy`

Indicates to delete this single date. This command can only remove dates that were added by using the `-incl` command.

`-delexcl mm/dd/yyyy`

Indicates to delete this single date.

`-ci`

Clear all specific include dates.

-
- ce
Clear all specific exclude dates.
 - cw
Clear all week days.
 - cd
Clear all days of a month.
 - fail_on_error 0|1[,0|1,...,0|1]
Specifies whether to fail all other copies if one copy fails. If no parameter is specified, 0 is default for all copies. Specify a value for each copy.
0 = Do not fail the other copies
1 = Fail other copies
 - freq *backup_frequency*
The backup frequency controls how much time can elapse between successful automatic backups for clients on this schedule. Frequency does not apply to user schedules because the user can perform a backup or archive any time the backup window is open. This value is a positive integer, representing the number of seconds between successful automatic backups for this schedule.
 - help
Prints a command line usage message when -help is the only option on the command line.
 - incl *mm/dd/yyyy*
Indicates to include this single date.
 - M *master_server, ...*
A list of alternative master servers. This is a comma-separated list of hostnames. If this option is present, each master server in the list runs the bppschedrep command. Each master server in the list must allow access by the system issuing the bppschedrep command. If an error occurs for any master server, processing terminates at that point.
The schedule attributes will be modified on all the master servers in this list.
 - mpxmax *mpx_factor*
This is the maximum multiplexing factor for this schedule. Multiplexing sends concurrent, multiple backups from one or several clients to a single drive.
The multiplexing factor can range from 1 through 8 for NetBackup Server and 1 through 32 for NetBackup Enterprise Server. A value of 1 specifies no multiplexing and a value greater than 1 means that NetBackup should



create multiplexed images on the destination media. The multiplexing factor should be less than or equal to the multiplexing factor for the storage unit.

For more information on multiplexing refer to the multiplexing topic in the *NetBackup System Administrator's Guide*.

`-number_copies` *number*

Specify the number of simultaneous backup copies. The minimum value is 1. The maximum value is 4 or the Maximum Backup Copies global parameter, whichever is smaller. The default is 1.

policy_name

The name of the policy that contains the schedule. This policy has been previously created.

`-pool` *volume_pool_label* [, *pool-copy2*, . . . *pool-copyn*]

Specifies the volume pool(s) for the schedule. Do not use this option if a disk storage unit is the residence for the schedule. If *"*NULL*"* is specified, the volume pool for the schedule is the volume pool of the policy which contains this schedule.

Specify a pool for each copy.

To display the configured volume pools, run

`install_path\Volmgr\bin\vmppool -listall`.

`-residence` *storage_unit_label* [, *stunit-copy2*, . . . *stunit-copyn*]

Specifies the label(s) of the storage unit to be used for storing the backups created according to this schedule. If *"*NULL*"* is specified, the residence for the schedule defaults to the residence of the policy which contains this schedule. If the residence value is a storage unit label, the residence for the schedule becomes that storage unit, overriding the residence for the policy.

Specify a storage unit for each copy.

Run `bpstulist` to display the set of defined storage units.

`-rl` *retention_level* [, *rl-copy2*, . . . , *rl-copyn*]

Specifies how long NetBackup retains the backups that it creates using this schedule. Valid retention levels and their corresponding default retention times are listed below.

Specify a retention level for each copy.

Caution Because the retention period associated with each level can be changed by using the NetBackup administration interface, your configuration may have different values for each level than those shown here. Use the NetBackup administration

interface to determine the actual retention periods before making any changes with this command. Otherwise, backups could expire sooner than you expect, resulting in loss of data.

0	1 week
1	2 weeks
2	3 weeks
3	1 month
4	2 months
5	3 months
6	6 months
7	9 months
8	1 year
9 - 24	infinite

NetBackup keeps the information about the backups for the specified time. Then it deletes information about them. Once deleted, the files in the backups are unavailable for restores. When all the backups on a volume have expired, the volume can be reassigned.

sched_label

The name of the schedule to be changed. This schedule has been previously created.

-st sched_type

Specifies the type of backup this schedule performs. Schedule types fall into two main categories: automatic and user. Automatic schedules define the windows during which the NetBackup scheduler can initiate a backup for this policy.

User schedules define the windows during which a user can initiate a backup or archive.

The values for schedule type are

FULL	(full backup)
INCR	(differential incremental backup)
CINC	(cumulative incremental backup)
UBAK	(user backup)
UARC	(user archive)

-weekday day_name week

Specifies a day of the week, and the week of the month, as a run day in the schedule.

The *day_name* is: Sunday, Monday, Tuesday, Wednesday, Thursday, Friday, or Saturday.



The *week* is the number of the week in the month.

For example, to instruct the policy to run the second Monday of the month, enter:

```
-weekday Monday 2
```

-v

Selects verbose mode. This option causes `bpplschedrep` to log additional information for debugging purposes. The information goes into the NetBackup administration daily debug log. This option is meaningful only when NetBackup has debug logging enabled (*install_path*\NetBackup\logs\admin directory defined).

EXAMPLES

Example 1

Set the frequency for a schedule.

```
bpplschedrep mkbpolicy incr -freq 604800
```

This sets to 1 week the frequency with which automatic backups will be performed for the schedule `incr` in policy `mkbpolicy`.

Example 2

For Saturday and Sunday of each week, have the window for schedule `full` in policy `newpolicy` open at 10 pm instead of 11 pm. Also, have the window duration be 2 hours instead of 1 hour. `bpplschedrep` resets the windows, and `bpplsched` lists the new schedule values.

```
bpplschedrep newpolicy full -0 79200 7200 -6 79200 7200
bpplsched newpolicy -U -label full
```

```
Schedule:          full
Type:              Full Backup
Frequency:         every 7 days
Retention Level:  1 (2 weeks)
Maximum MPX:      1
Residence:        (specific storage unit not required)
Volume Pool:      (same as policy volume pool)
Daily Windows:
  Sunday          22:00:00 --> Sunday          24:00:00
  Monday          23:00:00 --> Monday          24:00:00
  Tuesday         23:00:00 --> Tuesday         24:00:00
  Wednesday      23:00:00 --> Wednesday      24:00:00
  Thursday       23:00:00 --> Thursday       24:00:00
  Friday         23:00:00 --> Friday         24:00:00
  Saturday       22:00:00 --> Saturday       24:00:00
```

FILES

install_path\NetBackup\logs\admin*

install_path\NetBackup\db\policy*policy_name*\schedule

SEE ALSO

bppsched



bppolicynew

NAME

bppolicynew - Create, copy, or rename a NetBackup policy.

SYNOPSIS

```
install_path\NetBackup\bin\admincmd\bppolicynew policy_name  
    [-verbose] [-M master_server, ...]  
  
install_path\NetBackup\bin\admincmd\bppolicynew policy_name -sameas  
    existing_policy_name [-verbose] [-M master_server, ...]  
  
install_path\NetBackup\bin\admincmd\bppolicynew existing_policy_name  
    -renameto policy_name [-verbose] [-M master_server, ...]
```

DESCRIPTION

bppolicynew performs one of the following operations on a NetBackup policy:

- ◆ Create a new NetBackup policy with default attribute values
- ◆ Create a new NetBackup policy with the same attributes as an existing policy r
- ◆ Rename an existing NetBackup policy

When bppolicynew runs without `-sameas` or `-renameto`, it creates a new NetBackup policy with default attribute values. If `-M` is present, the defaults used for the policy definition on each master server are the defaults for that master server.

bppolicynew copies a policy by adding a new policy to the NetBackup database. The clients, files, schedules, and attributes for the new policy are the same as those for the existing policy. bppolicynew does not create a policy copy with the same name as an existing policy.

If bppolicynew renames a policy, the existing association of images with the policy is lost. This means that an image listing for the renamed policy does not include the images that were created before the policy was renamed. bppolicynew does not rename a policy to have the same name as an existing policy.

The NetBackup command `bpplinfo` replaces the policy-attribute defaults with new values. `bpplclients`, `bpplinclude`, and `bpplsched` define the clients, backup files, and schedules for the policy. A policy needs to have at least one client, one file specification, and one automatic schedule before it can run automatic backups.

bppolicynew sends its error messages to `stderr`. bppolicynew sends a log of its activity to the NetBackup admin log file for the current day.

This command can be executed by authorized users. For more information about NetBackup authorization, refer to "Enhanced Authorization and Authentication" in the *NetBackup System Administrator's Guide*.

See the *NetBackup System Administrator's Guide* for additional information on policies.

OPTIONS

policy_name

The name of a NetBackup policy which `bppolicynew` creates or the name to which `bppolicynew` changes an existing policy. There is no default value.

This policy name must differ from any existing policy name. It is composed of numeric, alphabetic, plus, minus, underscore, and period characters. Do not use a minus as the first character or leave any spaces between characters.

existing_policy_name

The name of a NetBackup policy which already exists when `bppolicynew` runs. There is no default value.

`-renameto`

Change the name of the existing policy to the new policy name.

`-sameas`

Create a new policy, copying its characteristics from the existing policy.

`-help`

Prints a command line usage message when `-help` is the only option on the command line.

`-M master_server,...`

A list of master servers. This is a comma-separated list of hostnames. If this option is present, the command is run on each of the master servers in this list. The master servers must allow access by the system issuing the command. If an error occurs for any master server, processing stops at that point in the list. The default is the master server for the system where the command is entered.

`-verbose`

Select verbose mode for logging. This is only meaningful when running with debug logging turned on (that is, the directory `install_path\NetBackup\logs\admin` is defined).

EXAMPLES

Note that references to Follow NFS Mounts in these examples apply only to NetBackup Enterprise Server.



Example 1

Create a policy with default attribute values on the master server plim:

```
bppolicynew ishkabibble -M plim  
bppllist ishkabibble -U -M plim
```

```
-----  
Policy Name:          ishkabibble  
Policy Type:          Standard  
Active:               yes  
Client Compress:     no  
Follow NFS Mounts:   no  
Cross Mount Points:  no  
Collect TIR info:    no  
Block Incremental:   no  
Mult. Data Streams:  no  
Client Encrypt:      no  
Policy Priority:      0  
Max Jobs/Policy:     99  
Disaster Recovery:   0  
Residence:            (specific storage unit not required)  
Volume Pool:         NetBackup  
Keyword:              (none specified)  
  
Clients:              (none defined)  
  
Include:              (none defined)  
  
Schedule:             (none defined)
```

Example 2

Create a new policy, `mypolicy_copy` from the existing policy `mypolicy`. `bppllist` shows that `mypolicy_copy` has the same attributes as `mypolicy`. For brevity, most of the schedule information is omitted here:

```
bppolicynew mypolicy_copy -sameas mypolicy  
bppllist mypolicy -U
```

```
-----  
Policy Name:          mypolicy  
Policy Type:          Standard  
Active:               yes  
Client Compress:     no  
Follow NFS Mounts:   no  
Cross Mount Points:  no  
Collect TIR info:    no  
Block Incremental:   no
```

```

Mult. Data Streams: no
Client Encrypt: no
Policy Priority: 0
Max Jobs/Policy: 99
Disaster Recovery: 0
Residence: myunit
Volume Pool: NetBackup
Keyword: (none specified)

HW/OS/Client: Linux RedHat zippity
              SGI IRIX6.5.15 mango

Include: /tmp/my

Schedule: full
  Type: Full Backup
  Frequency: every 7 days
  Maximum MPX: 1
  Retention Level: 0 (1 week)
  Residence: (specific storage unit not required)
  Volume Pool: (same as policy volume pool)
  Daily Windows:
    Sunday 00:00:00 --> Sunday 08:00:00
    Monday 00:00:00 --> Monday 08:00:00
    Tuesday 00:00:00 --> Tuesday 08:00:00
    Wednesday 00:00:00 --> Wednesday 08:00:00
    Thursday 00:00:00 --> Thursday 08:00:00
    Friday 00:00:00 --> Friday 08:00:00
    Saturday 00:00:00 --> Saturday 08:00:00

Schedule: incr
  Type: Differential Incremental Backup

```

```
bppllist mypolicy_copy -U
```

```

-----
Policy Name: mypolicy_copy
Policy Type: Standard
Active: yes
Client Compress: no
Follow NFS Mounts: no
Cross Mount Points: no
Collect TIR info: no
Block Incremental: no
Mult. Data Streams: no
Client Encrypt: no
Policy Priority: 0
Max Jobs/Policy: 99

```



```
Disaster Recovery: 0
Residence:        myunit
Volume Pool:      NetBackup
Keyword:          (none specified)

HW/OS/Client:    Linux          RedHat          zippity
                  SGI           IRIX6.5.15     mango

Include:         /tmp/my

Schedule:        full
  Type:          Full Backup
  Frequency:     every 7 days
  Maximum MPX:   1
  Retention Level: 0 (1 week)
  Residence:     (specific storage unit not required)
  Volume Pool:   (same as policy volume pool)
  Daily Windows:
    Sunday      00:00:00 --> Sunday      08:00:00
    Monday      00:00:00 --> Monday      08:00:00
    Tuesday     00:00:00 --> Tuesday     08:00:00
    Wednesday   00:00:00 --> Wednesday   08:00:00
    Thursday    00:00:00 --> Thursday    08:00:00
    Friday      00:00:00 --> Friday      08:00:00
    Saturday    00:00:00 --> Saturday    08:00:00

Schedule:        incr
  Type:          Differential Incremental Backup
```

Example 3

Rename a policy from `policy_old` to `policy_new`. Before and after the renaming, `bppllist` shows the policies in the NetBackup configuration database:

```
bppllist
mypolicy
policy_old
test
bppolicynew policy_old -renameto policy_new
bppllist
mypolicy
policy_new
test
```

RETURN VALUES

An exit status of 0 means that the command ran successfully.



Any exit status other than 0 means that an error occurred.

If administrative logging is enabled, the exit status is logged in the administrative daily log under the directory *install_path*\NetBackup\logs\admin in the form:

```
  bppolicynew: EXIT status = exit status
```

If an error occurred, a diagnostic precedes this message.

FILES

install_path\NetBackup\logs\admin*

install_path\NetBackup\db\policy*policy_name*

SEE ALSO

bpplclients, bpplinfo, bpplsched, bppldelete, bppllist



bpps

NAME

bpps - Lists all processes and statistics for each process.

SYNOPSIS

```
install_path\NetBackup\bin\bpps [-l | -s | -S] [-t sample_time [m]]  
      [-i | -x process_group] ... [host_name] ...  
install_path\NetBackup\bin\bpps -? [process_group ...]
```

DESCRIPTION

The bpps command lists the process statistics for all processes running on your system. This command enables you to list a specific process group to process. It also enables you specify a sample time in seconds (or milliseconds) before listing the processes.

OPTIONS

- ?
Print the help screen. Specifying *process_group* here displays the list of processes that would be included or excluded when specifying *process_group* with the -i or -x options.
- l
Output a long listing.
- s
Output a short listing (default).
- S
Output a short listing without the header (for example, host name, date, and column headings).
- t *sample_time* [m]
Specify the sample time (default 1 second). The sample time is specified in seconds unless followed by m, which specifies the sample time in milliseconds.
- i *process_group*
Include the specified process group in the listing (default NB_ALL).
- x *process_group*
Exclude the specified process group from the listing.
- host_name*
The name of the host computer you are listing group process statistics on.

NOTES

The following is a list of all of the valid process groups and a brief description of each.

MM_ALL	All Media Manager processes.
MM_CLIS	Media Manager command line programs.
MM_CORE	Media Manager core processes.
MM_GUI	Media Manager GUI programs.
MM_SERVICES	Media Manager services.
MM_UIS	Media Manager user interface programs.
MM_WORKERS	Media Manager worker processes.
NB_ALL	All NetBackup, Media Manager and ARO processes.
NB_ALL_CLIS	All NetBackup and Media Manager command line programs.
NB_ALL_CORE	All NetBackup, Media Manager and ARO core processes.
NB_ALL_GUI	All NetBackup and Media Manager GUI programs.
NB_ALL_SERVICES	All NetBackup and Media Manager Services.
NB_ALL_UIS	All NetBackup and Media Manager user interface programs.
NB_ALL_WORKERS	All NetBackup and Media Manager worker processes.
NB_CLIENT_ALL	All NetBackup client processes.
NB_CLIENT_CLIS	NetBackup client command line programs.



NB_CLIENT_CORE
NetBackup client core processes.

NB_CLIENT_GUI
NetBackup client GUI programs.

NB_CLIENT_SERVICES
NetBackup client services.

NB_CLIENT_UIS
NetBackup client user interface p

NB_CLIENT_WORKERS
NetBackup client worker processes.

NB_SERVER_ALL
All NetBackup server processes.

NB_SERVER_CLIS
NetBackup server command line programs.

NB_SERVER_CORE
NetBackup server core processes.

NB_SERVER_GUI
NetBackup server GUI programs.

NB_SERVER_SERVICES
NetBackup server services.

NB_SERVER_UIS
NetBackup server user interface programs.

NB_SERVER_WORKERS
NetBackup server worker processes.

NBDB_SERVICES
NetBackup Database services.

NBDB_CLIS
NetBackup Database command line programs.

NBDB_ALL
All NetBackup Database processes.

VLT_CORE
Core Vault processes.

VLT_GUI
Vault GUI programs.

VLT_CLIS
Vault command line programs.

VLT_UIS
Vault user interface programs.

VLT_ALL
All Vault processes.

OTHER_PROCESSES
All processes not included in NB_ALL.

FILES

install_path\NetBackup\bin\bp.conf



bprecover

NAME

bprecover - Recover selected NetBackup related catalogs.

SYNOPSIS

```
install_path\NetBackup\bin\admincmd\bprecover  
-l -m media_id -d density [-v]  
-l -tpath raw_tape_device_path [-v]  
-l -dpath disk_device_path [-v]  
-l -opath optical_device_path [-v]  
-l -5x -p policy_name [-v]  
-l -vxss -p policy_name [-v]  
-r [ALL | image_number [[-stdout] | [-dhost destination_host]]]  
    -m media_id -d density [-v]  
-r [ALL | image_number [[-stdout] | [-dhost destination_host]]]  
    -tpath raw_tape_device_path [-v]  
-r [ALL | image_number [[-stdout] | [-dhost destination_host]]]  
    -dpath disk_device_path [-v]  
-r [ALL | image_number [[-stdout] | [-dhost destination_host]]]  
    -opath optical_device_path [-v]  
-r [ALL | image_number] -5x -p policy_name [-v]  
-r [ALL | image_number] -vxss -p policy_name [-v]  
-r -nbdb [-v]  
-wizard
```

Note One or more of the NetBackup services will have to be in a stopped state before using bprecover. Refer to the "Recovering Catalogs from Tape" section in the Troubleshooting Guide.

DESCRIPTION

The `bprecover` command initiates the NetBackup utility for restoring the NetBackup internal databases called catalogs and recovers catalogs that were backed up by using the procedures described in the NetBackup System Administrator's Guide. Use `bprecover` only if catalogs were destroyed on disk.

The command has two main modes: `list` and `recover`. `List` shows the contents of a backup media or disk path. `Recover` recovers the catalog files.

You must have administrator privileges to execute this command.

OPTIONS

`-5x`

This parameter, when used with the `-p policy_name` option, defines a NetBackup 5.x media server. You must use this parameter in conjunction with the `-p policy_name` option to recover an image from the following location.

```
install_path\NetBackup\db\NBU_5XMDB_IMAGE/catalog_backup_policy_name
```

`-l`

Lists the header information from the specified media or disk path.

`-m media_ID -d density`

Specifies the media ID and the density of the media from which to recover files. The Device Manager and Volume Manager services must be running when you use the `-m` option. When the `Volmgr\database` directory is restored you will see messages about busy files and must reboot.

media_ID must be six or less characters and must be defined in the Enterprise Media Manager Database.

density must be one of the following:

4mm (4-mm cartridge)

8mm (8-mm cartridge)

dlt (dlt cartridge)

dlt2 (dlt cartridge alternate)

qscsi (1/4-in cartridge)

Note The following densities apply only to NetBackup Enterprise Servers.

hcart (1/2 Inch cartridge)

hcart2 (1/2 Inch cartridge alternate)

dtf (DTF cartridge)



- `-nbdb`
Used in conjunction with the `-r` option during catalog recovery procedures to recover and resynchronize the NetBackup relational database, the EMM database, and the BMR database if BMR is configured.. Reference the catalog recovery procedures in the Disaster Recovery chapter of the NetBackup Troubleshooting Guide for complete catalog recovery procedures.
- `-dpath` *disk_device_path*
- `-tpath` *raw_tape_device_path*
- `-opath` *optical_device_path*
Specifies a raw device path. If `-m` and `-d` are not specified. Use `-dpath`, `-opath`, or `-tpath` to specify a raw device path. Stop the NetBackup Device Manager and Volume Manager services when using one of these options.
- `-r` [ALL | *image_number*]
Recovers images from the specified media or disk path. There are three modes of recovery available with `-r`:
If `-r ALL` is specified, recover all the images contained in the specified media or disk path.
If `-r image_number` is specified, recover only the selected image number from the specified media or disk path.
If `-r` is specified by itself, `bprecover` interactively prompts and asks if you want to recover the images contained in the specified media or disk path.
- `-r -nbdb`
If `-r -nbdb` is specified, recover and resynchronize the NetBackup relational database. Only used as part of catalog recovery procedures. Reference the catalog recovery procedures in the Disaster Recovery chapter of the NetBackup Troubleshooting Guide for complete catalog recovery procedures.
- `-stdout`
Specifies that the selected backup image be written to stdout instead of automatically being restored. This option is useful, for example, if only one individual file was lost and you want to restore it without restoring the rest of the catalog files in the image.

Note You cannot specify `-r ALL` with `-stdout` because the `-stdout` option permits only one file image to be read at a time.

`-dhost destination_host`

Specifies the host to which the selected catalog is restored. Normally, catalogs are restored to the host where the data originated (as displayed with the `-l` option). The `-dhost` option makes it possible to restore the catalog to another host.

The NetBackup client or server software must be installed on the destination host and the NetBackup Client service must be running.

Caution Use the `dhost` option with EXTREME caution, since it can overwrite existing catalogs on the destination host. To permit recovery in case you unintentionally overwrite the wrong catalogs, you can move existing catalogs to a temporary directory on the destination host.

Note Do not specify `-r all` (or ALL) with `-dhost` when using this command. Either explicitly specify an image (for example, `-r 2`) or use the interactive mode (`-r`).

`-v`

Selects verbose mode. This is meaningful only when running with debug logging turned on (that is, when the `install_path\NetBackup\logs\admin` directory exists).

`-vxss`

This parameter, when used with the `-p policy_name` option, enables you to recover VxSS Authentication and Authorization data that has been backed up by an online, hot catalog backup. The image will be recovered from the following location:

`install_path\NetBackup\db\NBU_VSSDB_IMAGE/policy_name`

`-wizard`

This parameter enables a user to perform the same functions from a command line that are present on the recovery wizard. For example, a user can do the following.

- Specify the full pathname to the catalog disaster recovery file:
- Recover the entire NetBackup catalog

EXAMPLES

Example 1

List the backup header information for the catalog backup done to disk path

D:\apps\dbbackup.

```
cd D:\VERITAS\NetBackup\bin\admincmd\
bprecover -l -dpath D:\apps\dbbackup
Database Backup Information from D:\apps\dbbackup
```



```
Created:      03/31/97 11:31:34
Server:      bphost

          Path
          ----
IMAGE1 D:\VERITAS\NetBackup\db
IMAGE2 D:\VERITAS\Volmgr\database
```

Example 2

List the backup header information from media ID 000001, which is density dlt.

```
cd D:\VERITAS\NetBackup\bin\admincmd
bprecover -l -m 000001 -d dlt
Database Backup Information from 000001

Created:      03/31/97 05:50:51
Server:      bphost
Block size:   32768
```

```
          Path
          ----
IMAGE1 D:\VERITAS\NetBackup\db
IMAGE2 D:\VERITAS\Volmgr\database
```

Example 3

Recover the D:\VERITAS\NetBackup\db files from disk path D:\apps\dbbackup.

```
cd D:\VERITAS\NetBackup\bin\admincmd
bprecover -r 1 -dpath D:\apps\dbbackup
Recovering bphost:D:\VERITAS\NetBackup\db
```

◆ Example 4

Recover all the backed up catalogs from media ID JBL29.

```
cd D:\VERITAS\NetBackup\bin\admincmd
bprecover -r ALL -m JBL29 -d 8mm
Recovering bphost:D:\VERITAS\NetBackup\db
Recovering bphost: D:\VERITAS\Volmgr\database
```

Example 5

Interactively restore selected images. Use raw tape path \\.\Tape1. Assume that the media that is loaded into the drive is the same one as in example 4.

```
cd D:\VERITAS\NetBackup\bin\admincmd
bprecover -r -tpath \\.\Tape1
Recover bphost: D:\VERITAS\NetBackup\db y/n (n)? n
Recover bphost: D:\VERITAS\Volmgr\database y/n (n)? y
Recovering bphost: D:\VERITAS\Volmgr\database
```

ERRORS

If errors occur during the recover operation, NetBackup writes error messages to the MS-DOS command window when you run the `bprecover` command.

FILES

install_path\NetBackup\logs\admin*

install_path\NetBackup\db*

install_path\Volmgr\database*

SEE ALSO

`tpreq`

NetBackup Troubleshooting Guide for information on disaster recovery.



bprestore

NAME

bprestore - Restores files from the NetBackup server.

SYNOPSIS

```
install_path\NetBackup\bin\bprestore [-A | -B] [-drs] [-F  
  file_options] [-K] [-l | -H | -y] [-r] [-T] [-L progress_log  
  [-en]] [-R rename_file] [-C client] [-D client] [-S  
  master_server] [-t policy_type] [-p policy] [-s date] [-e date]  
  [-w [hh:mm:ss]] [-k "keyword_phrase"] -f listfile | filenames  
  [-cm] [-drs] [-md] [-td temp_dir] [-spsredir_server  
  hostname] [-BR portal_name | teamsite_name]
```

DESCRIPTION

bprestore lets users restore a backed up or archived file or list of files. You can also name directories to restore. If you include a directory name, bprestore restores all files and subdirectories of that directory. You can exclude a file or directory path that was previously included in the restore by placing an exclamation mark (!) in front of the file or directory path (does not apply to NDMP restores). The exclude capability is useful, for example, if you want to exclude part of a directory from the restore.

Note: If a policy, schedule type, or date range is not specified then bprestore will start with the most recent full backup image and include all subsequent incremental and differential backup images. From these images the most recent copy of a file will be restored.

By default, you are returned to the system prompt after bprestore is successfully submitted. The command works in the background and does not return completion status directly to you. The -w option lets you change this behavior so bprestore works in the foreground and returns completion status after a specified time period.

The bprestore command restores the file from the most recent backups within the time period you specify, except for a true-image restore (see the -T option description).

bprestore overwrites any file of the same name that already exists on the local client disk, unless you include the -K option. It is also possible to restore files that were backed up or archived on another client (-C option). You must be validated by the NetBackup administrator to restore from other clients.

bprestore writes informative and error messages to a progress-log file if you create the file prior to running the bprestore command and then specify the file with the -L *progress_log* option. If bprestore cannot restore the requested files or directories, you can use the progress log to find the reason for the failure.

For detailed troubleshooting information, create a directory named `install_path\NetBackup\logs\bprestore` with write access. `bprestore` then creates an debug log file in this directory.

The following restrictions apply to `bprestore`:

- ◆ You can restore files and directories that you own and those owned by other users if you have read access. You need write access to another user's directories and files to restore that user's files to their original location.
- ◆ The operating system restricts the number of files and directories that you can specify on a single `bprestore` command line. If this is a problem, use the `-f` option to restore the files.

Use the `bplist` command to display information on the files and directories that were backed up or archived.

OPTIONS

`-A` | `-B`

Specifies whether to restore from archives (`-A`) or backups (`-B`). The default is `-B`.

`-BR` *portal_name* | *teamsite_name*

This option specifies a portal name or the team site name to where the selected portal or teamsite is to be redirected in a SharePoint farm. A user should specify the redirected portal or teamsite as `http://portalname` | `http://teamsitename`, and should already exist in a farm.

`-cm`

Use this option if your selection contains the last backup set to be restored. This enables the restore operation to play through log files and roll back any uncompleted transactions. If this option is not selected, the database is left in an intermediate state and is not yet usable.

`-drs`

Allows files to be restored without access-control attributes. By default, access-control attributes are restored along with file and directory data. Option `-drs` is available only to NetBackup administrators.

`-F` *file_options*

Allows either Backup Exec files to be restored, or both Backup Exec and NetBackup files to be restored. The default (`-F` is not specified), is to restore only NetBackup files.

To restore only Backup Exe files specify:

`-F 524288`

To restore Backup Exe and NetBackup files specify:

`-F 1048576`



-K

Specifying this option causes `bprestore` to keep existing files rather than writing over them when restoring files with the same name. The default is to overwrite existing files.

Note The `-l` | `-H` | `-y` options apply only when restoring UNIX files to a UNIX system.

-l | -H | -y

Specifying `-l` renames the targets of UNIX links by using the `-R rename_file` option in the same way as when renaming files.

Specifying `-H` renames UNIX hard links by using the `-R rename_file` option in the same way as when renaming files. Soft links are unchanged.

Specifying `-y` renames UNIX soft links by using the `-R rename_file` option in the same way as when renaming files. Hard links are unchanged.

See Example 5 in the EXAMPLES section.

-md

Mounts the database so that it is available to users. This option is only available if Commit after restore completes is selected.

-r

Specifying this option restores disk images instead of file systems.

-L *progress_log* [-en]

Specifies the name of an existing file in which to write progress information.

For example: `c:\proglog`

The default is to not use a progress log.

Include the `-en` option to generate a log in English. The name of the log will contain the string `_en`. This option is useful to support personnel assisting in a distributed environment where differing locales may create logs of various languages.

-R *rename_file*

Specifies the name of a file with name changes for alternate-path restores.

For example: `bprestore -R /C/renamefile /C/origfile`

Where `/C/rename_file` is the file with the name change and `/C/origfile` is the file to be renamed.

Use the following form for entries in the rename file:

change *backup_filepath* to *restore_filepath*

The file paths must start with / (slash)

The first *backup_filepath* that is matched is replaced with the *restore_filepath* string. Use all upper case for the drive letter.

The default is to restore using the original path.

For example, the following entry renames C:\users\fred to C:\users\fred2:

```
change /C/users/fred to /C/users/fred2
(be sure to end the entry with a return)
```

When restoring to a Windows client, you can also use the following method for specifying entries in the rename file (do not use this method for other clients):

```
rename bulength backup_filepath reslength restore_filepath
```

Where:

bulength is the number of ASCII characters in the backup path.

reslength is the number of ASCII characters in the restore path.

The first *backup_filepath* that is matched is replaced with the *restore_filepath* string.

For example, the following entry renames C:\fred.txt to C:\fred2.txt:

```
rename 11 /C/fred.txt 12 /C/fred2.txt
```

(be sure to end the entry with a return)

-C *client*

Specifies a client name to use for finding backups or archives from which to restore files. This name must be as it appears in the NetBackup catalog. The default is the current client name.

Note The destination client does not default to the source client. See the description for -D *client* option.

-D *client*

Specifies a destination client. This can be done by an administrator on the master server in order to direct the restored files to a machine other than the client specified with the -C option. The default is the current client name.

-S *master_server*

Specifies the name of the NetBackup server. The default is the server designated as current on the Servers tab of the **Specify NetBackup Machines** dialog. To display this dialog, start the Backup, Archive and Restore user interface on the client and click **Specify NetBackup Machines** on the File menu.



-spsredirect_server *hostname*

This option specifies the webserver on which the redirected portal or team site resides in a sharepoint farm. The redirected webserver should be specified as *hostname*.

-t *policy_type*

Specifies one of the following numbers corresponding to the policy type. The default is 0 for all clients except Windows, where the default is 13.

0 = Standard

4 = Oracle

6 = Informix-On-BAR

7 = Sybase

10 = NetWare

13 = MS-Windows

14 = OS/2

15 = MS-SQL-Server

16 = MS-Exchange-Server

19 = NDMP

Note The following policy types apply only to NetBackup Enterprise Server.

11 = DataTools-SQL-BackTrack

17 = SAP

18 = DB2

20 = FlashBackup

21 = Split-Mirror

22 = AFS

35 = NBU-Catalog

-p *policy*

Specifies the policy for which the backups or archives were performed.

-s *date*

-e *date*

Specifies the start and end date range for the listing. The `bprestore` command restores only files from backups or archives that occurred within the specified start and end date range.

-s specifies a start date and time for the restore window. `bprestore` restores files only from backups or archives that occurred at or after the specified date and time.

The valid range of dates are from 01/01/1970 00:00:00 to 01/19/2038 03:14:07. The default start date is 01/01/1970 00:00:00.

The default is to return the most recent image. For backups, this is the most recent full backup if a full backup exists. If a full backup does not exist, then the most recent incremental or user-directed backup will be restored.

`-e` specifies an end date and time for the restore window. `bprestore` restores only files in backups or archives that occurred at or before the specified date and time. Use the same format as for the start date and time.

The end backup date and time do not need to be exact, except for a true-image restore (see the `-T` option description). The `bprestore` command restores the file that has the specified backup date and time or the file that is the most recent backup preceding the end date and time. The default is the current date and time."

`-td temp_dir`

This option provides a location where the associated log and patch files are to be kept until the database is restored. The default location is `c:\temp`. If storage groups are being restored, a subdirectory in `c:\temp` is created for each storage group. The log and patch files for each storage group are kept in the corresponding subdirectory.

`-T`

Specifies a true-image restore, where only files and directories that existed in the last true-image backup are restored. This option is useful only if true-image backups were performed. If this option is not specified, all files and directories meeting the specified criteria are restored, even if they were deleted.

When the `-T` option is specified, the image requested must be uniquely identified. Unique identification is accomplished by using the `-e` option with seconds granularity. The `-s` option, if any, is ignored. The seconds granularity of an image can be retrieved by using the `bplist` command with the `-l` and `-Listseconds` options.

`-w [hh:mm:ss]`

Causes NetBackup to wait for a completion status from the server before returning you to the system prompt.

You can optionally specify a wait time in hours, minutes, and seconds. The maximum wait time you can specify is 23:59:59. If the wait time expires before the restore is complete, the command exits with a timeout status. The restore, however, still completes on the server.

Specifying 0 or not specifying a time, means wait indefinitely for the completion status.



-k *"keyword_phrase"*

Specifies a keyword phrase for NetBackup to use when searching for backups or archives from which to restore files. The phrase must match the one that was previously associated with backup or archive by the **-k** option of the `bpbbackup` or `bparchive` command.

You can use this option in place of or in combination with the other restore options in order to make it easier to restore your backups and archives. The following meta characters can simplify the task of matching keywords or parts of keywords in the phrase:

* matches any string of characters.

? matches any single character.

[] matches one of the sequence of characters specified within the brackets.

[-] matches one of the range of characters separated by the "-".

The keyword phrase can be up to 128 characters in length. All printable characters are permitted including space (" ") and period ("."). The phrase must be enclosed in double quotes ("...") or single quotes ('...').

The default keyword phrase is the null (empty) string.

-f *listfile*

Specifies a file (*listfile*) containing a list of files to be restored and can be used instead of the *filenames* option. In *listfile*, list each file path on a separate line.

The format required for the file list depends on whether the files have spaces or newlines in the names.

To restore files that do not have spaces or newlines in the names, use this format:

filepath

Where *filepath* is the path to the file that you are restoring. For example:

Note Use upper case for the drive letter. For example, C:\NetBackup\Log1.

C:\programs

C:\winnt

C:\documents\old_memos

To restore files that have spaces or newlines in the names, use one of the following formats:

filepathlen filepath

filepathlen filepath start_date_time end_date_time

filepathlen filepath -s datetime -e datetime

The *filepath* is the path to the file you are restoring.

The *filepathlen* is the total number of characters in the file path.

The *start_date_time* and *end_date_time* are the decimal number of seconds since 01/01/1970 00:00:00.

datetime is the same as the command line (*mm/dd/yy [hh[:mm[:ss]]]*).

The start and end date and time specified on the command line is used unless a line in *listfile* overrides it. The dates may change from line to line.

You can exclude a file or directory path that was previously included in the restore by placing an exclamation mark (!) in front of the file or directory path (except when performing NDMP restores).

The following is an example that uses *filepathlen filepath*:

```
11 C:\programs
8 C:\winnt
22 C:\documents\old memos
17 !C:\programs\test
```

filenames

Names one or more files to be restored and can be used instead of the *-f* option.

Any files that you specify must be listed at the end, following all other options. You must also specify absolute file paths. You can exclude a file or directory path that was previously included in the restore by placing an exclamation mark (!) in front of the file or directory path (except when performing NDMP restores).

Use upper case for the drive letter. For example, C:\NetBackup\log1.

EXAMPLES

Example 1

To restore files from backups of C:\programs\file1 that were performed between 04/01/2003 06:00:00 and 04/10/2003 18:00:00, enter the following (all on one line):

```
bprestore -s 04/01/93 06:00:00 -e 04/10/93 18:00:00 C:\user1\file1
```

Example 2

To restore files listed in a file named *restore_list* by using the most recent backups, enter the following:

```
bprestore -f c:\restore_list
```

Example 3

To restore the directory C:\kwc from the backups that are associated with a keyword phrase that contains “My Home Directory” and use a progress log named d:\kwc\bkup.log, enter the following (all on one line):



```
bprestore -k "*My Home Directory*" -L d:\kwc\bkup.log C:\kwc
```

Example 4

To restore the D drive on the Windows client slater from the backups that are associated with a keyword phrase that contains “My Home Dir” and use a progress log named `c:\kwc\bkup.log`, enter the following (all on one line, or using the backslash continuation character):

```
bprestore -k "*My Home Dir*" -C slater -D slater -t 13 -L  
c:\kwc\bkup.log D:\
```

Example 5

Assume you have a rename file named `/home/kwc/rename` on a UNIX client and it contains the following:

```
change /home/kwc/linkback to /home/kwc/linkback_alt
```

To restore the hard link named `/home/kwc/linkback` to alternate path `/home/kwc/linkback_alt` on that client, run the following command:

```
bprestore -H -R /home/kwc/rename /home/kwc/linkback
```

Example 6

Assume you want to restore files from backups of `C:\user1\` that were performed between `04/01/01 06:00:00` and `04/10/01 18:00:00`. You also want to exclude all files with a `.pdf` extension, except for the one named `final_doc.pdf`. To do this, run the following (all on one line):

```
bprestore -s 04/01/01 06:00:00 -e 04/10/01 18:00:00 C:\user1\  
!C:\user1\*.pdf C:\user1\final_doc.pdf
```

FILES

```
install_path\NetBackup\logs\bprestore\*.log
```

SEE ALSO

`bp`, `bparchive`, `bpbackup`, `bpclist`

bpschedule

NAME

`bpschedule` - Add, delete, or list disk staging storage unit (DSSU) schedules.

SYNOPSIS

```
install_path\NetBackup\bin\admincmd\bpschedule [-v] [-M
master_server,...] -add sched_label [-freq frequency]
[-stage_priority number] [-althost hostname]
[-number_copies number] [-residence
storage_unit_label [, stunit-copy2, ... stunit-copyn]] [-pool
volume_pool_label [, pool-copy2, ... pool-copyn]]
[-fail_on_error 0|1[, 0|1, ... 0|1]] [-window start_duration]]
[-cal 0|1|2] [-ut] [-incl mm/dd/yyyy] [-excl mm/dd/yyyy]
[-weekday day_name_week] [-dayomonth 1-31 | 1]
```

```
install_path\NetBackup\bin\admincmd\bpschedule [-v] [-M
master_server,...] -delete sched_label ...
```

```
install_path\NetBackup\bin\admincmd\bpschedule [-v] [-M
master_server,...] -deleteall
```

```
install_path\NetBackup\bin\admincmd\bpschedule [-v] [-M
master_server...] [-L | -l | -U] [-label sched_label]
```

DESCRIPTION

The `bpschedule` command will do one of the following:

- ◆ Add a new disk staging storage unit (DSSU) schedule.
- ◆ Delete one or more DSSU schedules.
- ◆ Delete all the DSSU schedules.
- ◆ List one or all DSSU schedules.
- ◆ The default is to list all DSSU schedules.

For the `-add` and `-delete` options, `bpschedule` returns to the system prompt immediately after it submits the DSSU schedule change request to NetBackup. To determine whether the change was successful, run `bpschedule` again to list the updated schedule information.

When the listing option is used there is a single entry for each schedule, even if the `-M` option is used. The `-l` form lists the information for each schedule on several lines. `-l` does not identify the attributes by name; these are as follows (where the names are not described, they are reserved for internal NetBackup use):



Line 1: SCHED, schedule name, type, max_mpx, frequency, retention level, u_wind/o/d, 2 internal attributes, maximum fragment size, calendar, number of copies, and fail on error. Note that u_wind/o/d is a field reserved for future use. This is also true for the u_wind entry in the -L display.

Line 2: SCHEDWIN, seven pairs of the form *start,duration*, expressing the start and duration of the window for each day of the week, starting with Sunday.

Line 3: SCHEDRES, residence (a value for each copy).

Line 4: SCHEDPOOL, pool (a value for each copy).

Line 5: SCHEDRL, retention level (a value for each copy).

Line 6: SCHEDFOE, fail on error (a value for each copy).

If the -M option is used, bpschedule performs the operation on each of the master servers listed. For instance, if bpschedule is adding a schedule, bpschedule adds the schedule to the policy on each of the master servers listed for -M. If the -M option is used on a listing request, the listing is the composite of the information returned by all of the master servers in the -M list. If the command fails for any of the master servers, activity stops at that point.

To modify an existing NetBackup schedule, use the NetBackup command bpschedulerep.

This command can be executed by authorized users. For more information about NetBackup authorization, refer to "Enhanced Authorization and Authentication" in the *NetBackup System Administrator's Guide*.

OPTIONS

These options are common to all forms of bpschedule:

-help

Prints a command line usage message when -help is the only option on the command line.

-M *master_server, . . .*

A list of alternative master servers. This is a comma-separated list of host names. If this option is present, each master server in the list runs the bpschedule command. Each master server in the list must allow access by the system issuing the bpschedule command.

If this option is present, the command is run on each master server in the list. If an error occurs for any master server, processing terminates at that point.

If bpschedule is producing a listing, the listing is the composite of the information returned by all the master servers in this list.

If `bpschedule` adds or deletes a schedule, all master servers in this list receive the change.

`-v`

Selects verbose mode. This option causes `bpschedule` to log additional information for debugging purposes. The information goes into the NetBackup administration debug log. This option is meaningful only when NetBackup has debug logging enabled (*install_path*\NetBackup\logs\admin directory defined).

The remaining options depend on the form of `bpschedule`. The first form of `bpschedule` adds a schedule to the named policy. The following options apply to this form of `bpschedule`:

`-add sched_label [suboptions]`

Add a single schedule to the named policy.

The suboptions for the `-add` option explained below. These are attributes of the schedule being added. Refer to the *NetBackup System Administrator's Guide* for details on schedules and their attributes.

`-cal 0|1|2`

Indicates whether `bpschedule` is following a calendar-based schedule or a frequency-based schedule.

0 = frequency-based schedule

1 = calendar-based schedule with no retries after run day

2 = calendar-based schedule with retries after run day

`-dayomonth 1-31 | 1`

Specifies the day of every month to run the schedule. Enter `l` (lowercase L) to run the last day of every month, whether the month contains 28, 29, 30, or 31 days.

For example, to run the schedule the 15th day of every month, enter:

```
-dayomonth 15
```

To run the last day of every month, enter:

```
-dayomonth l
```

`-excl mm/dd/yyyy`

Indicates to exclude this single date.

`-fail_on_error 0|1[,0|1,...,0|1]`

Specifies whether to fail all other copies if one copy fails. If no parameter is specified, 0 is default for all copies. Specify a value for each copy.

0 = Do not fail the other copies

1 = Fail other copies



- `-freq` *frequency*
Determines how often backups run. Represents the number of seconds between backups initiated according to this schedule. Valid range for this option is 0 through 2419200 (number of seconds in four weeks). When omitted on the command line, the default value is 604800 (duration of one week in seconds).
- `-incl` *mm/dd/yyyy*
Indicates to include this single date.
- `-number_copies` *number*
Specify the number of simultaneous backup copies. The minimum value is 1. The maximum value is 4 or the Maximum Backup Copies global parameter, whichever is smaller. The default is 1.
- `-pool` *volume_pool_label* [, *pool-copy2*, . . . *pool-copyn*]
This is the name of the volume pool. This choice overrides the policy-level volume pool. Entering `"*NULL*"` causes NetBackup to use the volume pool specified at the policy level. The default is to use the volume pool specified at the policy level. The volume pool label cannot be None. If you do not specify a volume pool at either the schedule level or the policy level, NetBackup uses a default value of NetBackup.
When specifying `-number_copies` greater than 1, specify a pool for each copy.
- `-residence` *storage_unit_label* [, *stunit-copy2*, . . . *stunit-copyn*]
This is the name of the storage unit, which specifies the location of the backup images. The value `"*NULL*"` causes NetBackup to use the storage unit specified at the policy level. The default is for NetBackup to use the storage unit specified at the policy level. If you do not specify a storage unit at either the schedule level or the policy level, NetBackup uses the next storage unit available.
When specifying `-number_copies` greater than 1, specify a residence for each copy.
- `-stage` *priority number*
The order in which storage units are to be selected within a storage unit group:
1 = Use the storage units in the order displayed in the storage unit group dialog (default).
2 = Use the storage unit least recently used. (The storage units take turns.)
3 = Use the first storage unit in the list that is not full or down. If the storage unit is only busy, the policy waits to write to it.

- `-altreadhost hostname`
The server to be used to read a backup image that was originally written by a different media server.
- `-ut`
Any of the date/time arguments that follow `-ut` will be accepted as UNIX time, instead of the standard time format. The `-ut` option is used primarily for Java.
- `-weekday day_name week`
Specifies a day of the week, and the week of the month, as a run day in the schedule.
The *day_name* is: Sunday, Monday, Tuesday, Wednesday, Thursday, Friday, or Saturday.
The *week* is the number of the week in the month.
For example, to instruct the policy to run the second Monday of the month, enter:
`-weekday Monday 2`
- `-window start duration`
Specifies when NetBackup can run the backups for this schedule. Every day of the week has the same window.
start is the time at which the backup window opens for this schedule. This is the number of seconds since midnight. This is an integer between 0 and 86399 (there are 86400 seconds in a day).
duration is the length of time that the window remains open. The time unit is seconds. This is a non-negative integer.

The second form of `bpschedule` deletes one or more schedules from the named policy. The following option applies to this form of `bpschedule`:

- `-delete sched_label`
Delete the listed schedules from the named policy. The elements of the *sched_label* list must be separated by spaces. There can be up to 25 labels in the list.

The third form of `bpschedule` deletes all schedule from the named policy. The following option applies to this form of `bpschedule`:

- `-deleteall`
Delete all schedules from the named policy.

The fourth form of `bpschedule` produces a listing of information about the schedules for the named policy. The following options apply to this form of `bpschedule`:



- l
The list type is short. This is the default list type. This produces a terse listing that includes all attributes for the schedule. Each schedule occupies one line of the listing. Most attribute values are expressed numerically. This option is useful for scripts or programs that rework the listing contents into a customized report format.
- L
The list type is long. This listing includes all attributes for the schedule. Some attribute values are descriptive terms, rather than numbers.
- label *sched_label*
List the attributes for this schedule in the named policy. The default is to list information for all schedules for the named policy.
- U
The list type is user. This listing is similar to the long-type listing, but it has fewer entries. Most attribute values are descriptive terms, rather than numbers.

EXAMPLES

In this example, `bpschedule` lists the information for schedule `test` in Long mode.

```
bpschedule -L -label test
Schedule:          test
Type:              FULL (0)
Frequency: 7day(s) (604800 seconds)
Retention Level: 1(2 weeks)
u-wind/o/d:        0 0
Incr Type:         DELTA (0)
Incr Depends:     (none defined)
Max Frag Size:0 MB (1048576 MB)
Maximum MPX:      1
Number copies:1
Fail on Error:0
Residence:        (specific storage unit not required)
Volume Pool:      (same as policy volume pool)
Daily Windows:
Day              Open           Close           W-Open          W-Close
Sunday           000:00:00    000:00:00
Monday           000:00:00    000:00:00
Tuesday          000:00:00    000:00:00
Wednesday        000:00:00    000:00:00
Thursday         000:00:00    000:00:00
Friday           000:00:00    000:00:00
Saturday         000:00:00    000:00:00
```

FILES

install_path\NetBackup\logs\admin*

install_path\NetBackup\db\sched*schedule name*

SEE ALSO

bpschedulerep



bpschedulerep

NAME

bpschedulerep - Modify the attributes of a disk staging storage unit (DSSU) schedule.

SYNOPSIS

```
install_path\NetBackup\bin\admincmd\bpschedulerep sched_label [ -M  
master_server, ... ] [-v] [-freq backup_frequency]  
[-stage_priority number] [-altreadhost hostname] [-cal  
0|1|2] [-incl mm/dd/yyyy] [-excl mm/dd/yyyy] [-delincl  
mm/dd/yyyy] [-delexcl mm/dd/yyyy] [-weekday day_name  
week] [-dayomonth 1-31 | 1] [-delweekday day_name week]  
[-deldayomonth 1-31 | 1] [-ci] [-ce] [-cw] [-cd]  
[-number_copies number] [-fail_on_error  
0|1[,0|1, ..., 0|1]] [-residence  
storage_unit_label [, stunit-copy2, ... stunit-copyn]] [-pool  
volume_pool_label [, pool-copy2, ... pool-copyn]] [-(0..6) start  
duration]
```

DESCRIPTION

bpschedulerep changes the attributes of a NetBackup disk staging storage unit (DSSU) schedule. The schedule named by bpschedulerep should already exist when this command is run. If the -M option is used, bpschedulerep changes the schedule on each of the master servers listed.

This command can be executed by authorized users. For more information about NetBackup authorization, refer to "Enhanced Authorization and Authentication" in the *NetBackup System Administrator's Guide*.

OPTIONS

- (*0..6*) *start duration*

Specifies the window during which NetBackup can run the backups for this schedule. This window applies to a specific day of the week. 0 corresponds to Sunday, 1 to Monday, and so on.

start is the time at which the backup window opens for this schedule. This is the number of seconds since midnight. It is an integer between 0 and 86400 (the number of seconds in a day).

duration is the length of time that the window remains open. The time unit is seconds. This is a non-negative integer.

-cal 0|1|2

Indicates whether bpschedulerep is following a calendar-based schedule or a frequency-based schedule.



0 = frequency-based schedule

1 = calendar-based schedule with no retries after run day

2 = calendar-based schedule with retries after run day

`-dayomonth 1-31 | 1`

Specifies the day of every month to run the schedule. Enter 1 (lowercase L) to run the last day of every month, whether the month contains 28, 29, 30, or 31 days.

For example, to run the schedule the 15th day of every month, enter:

`-dayomonth 15`

To run the last day of every month, enter:

`-dayomonth l`

`-deldayomonth 1-31 | 1`

Specifies a day of every month to be excluded as a run day. Enter 1 (lowercase L) to exclude the last day of every month, whether the month contains 28, 29, 30, or 31 days.

For example, to exclude the 20th day of every month from the schedule, enter:

`-deldayomonth 20`

`-delweekday day_name week`

Specifies a day of the week and the week of the month to be excluded as a run day from the schedule.

The *day_name* is: Sunday, Monday, Tuesday, Wednesday, Thursday, Friday or Saturday.

The *week* is the number of the week in the month.

For example, to exclude the second Monday of the month, enter:

`-delweekday Monday 2`

`-excl mm/dd/yyyy`

Indicates to exclude this single date.

`-delincl mm/dd/yyyy`

Indicates to delete this single date.

`-delexcl mm/dd/yyyy`

Indicates to delete this single date.

`-ci`

Clear all specific include dates.

`-ce`

Clear all specific exclude dates.



- `-cw` Clear all week days.
- `-cd` Clear all days of a month.
- `-fail_on_error 0|1[,0|1,...,0|1]`
Specifies whether to fail all other copies if one copy fails. If no parameter is specified, 0 is default for all copies. Specify a value for each copy.
0 = Do not fail the other copies
1 = Fail other copies
- `-freq backup_frequency`
The backup frequency controls how much time can elapse between successful automatic backups for clients on this schedule. Frequency does not apply to user schedules because the user can perform a backup or archive any time the backup window is open. This value is a positive integer, representing the number of seconds between successful automatic backups for this schedule.
- `-help` Prints a command line usage message when `-help` is the only option on the command line.
- `-incl mm/dd/yyyy`
Indicates to include this single date.
- `-M master_server, ...`
A list of alternative master servers. This is a comma-separated list of hostnames. If this option is present, each master server in the list runs the `bpschedulerep` command. Each master server in the list must allow access by the system issuing the `bpschedulerep` command. If an error occurs for any master server, processing terminates at that point.
The schedule attributes will be modified on all the master servers in this list.
- `-number_copies number`
Specify the number of simultaneous backup copies. The minimum value is 1. The maximum value is 4 or the Maximum Backup Copies global parameter, whichever is smaller. The default is 1.
- `-pool volume_pool_label[,pool-copy2,... pool-copyn]`
Specifies the volume pool(s) for the schedule. Do not use this option if a disk storage unit is the residence for the schedule. If `"*NULL*"` is specified, the volume pool for the schedule is the volume pool of the policy which contains this schedule.
Specify a pool for each copy.

To display the configured volume pools, run
`install_path\Volmgr\bin\vmppool -listall.`

- residence *storage_unit_label* [, *stunit-copy2*, ... *stunit-copyn*]

Specifies the label(s) of the storage unit to be used for storing the backups created according to this schedule. If `"*NULL*"` is specified, the residence for the schedule defaults to the residence of the policy which contains this schedule. If the residence value is a storage unit label, the residence for the schedule becomes that storage unit, overriding the residence for the policy.

Specify a storage unit for each copy.

Run `bpstulist` to display the set of defined storage units.
- stage priority *number*

The order in which storage units are to be selected within a storage unit group:

 - 1 = Use the storage units in the order displayed in the storage unit group dialog (default).
 - 2 = Use the storage unit least recently used. (The storage units take turns.)
 - 3 = Use the first storage unit in the list that is not full or down. If the storage unit is only busy, the policy waits to write to it.
- altreadhost *hostname*

The server to be used to read a backup image that was originally written by a different media server.
- sched_label*

The name of the schedule to be changed. This schedule has been previously created.
- weekday *day_name week*

Specifies a day of the week, and the week of the month, as a run day in the schedule.

The *day_name* is: Sunday, Monday, Tuesday, Wednesday, Thursday, Friday, or Saturday.

The *week* is the number of the week in the month.

For example, to instruct the policy to run the second Monday of the month, enter:

`-weekday Monday 2`



-v

Selects verbose mode. This option causes `bpschedulerep` to log additional information for debugging purposes. The information goes into the NetBackup administration daily debug log. This option is meaningful only when NetBackup has debug logging enabled (`install_path\NetBackup\logs\admin` directory defined).

EXAMPLES

Example 1

Changing and schedule named test.

```
bpschedulerep test -cal 2
```

The following output is received after the change and a "bpschedule -label test" listing.

```
SCHED test 0 1 604800 1 0 0 0 *NULL* 0 2 0 0 0
SCHEDWIN 0 0 0 0 0 0 0 0 0 0 0 0 0 0 0
SCHEDRES *NULL* *NULL* *NULL* *NULL* *NULL* *NULL* *NULL* *NULL*
*NULL* *NULL*
SCHEDPOOL *NULL* *NULL* *NULL* *NULL* *NULL* *NULL* *NULL* *NULL*
*NULL* *NULL*
SCHEDRL 1 1 1 1 1 1 1 1 1 1
SCHEDFOE 0 0 0 0 0 0 0 0 0 0
```

Example 2

For Saturday and Sunday of each week, have the window for schedule test open at 10 pm instead of 11 pm. Also, have the window duration be 2 hours instead of 1 hour.

`bpschedulerep` resets the windows, and `bpschedule` lists the new schedule values.

```
bpschedulerep test -0 79200 7200 -6 79200 7200
bpschedule -U -label test
Schedule:          test
  Type:            Full Backup
  Frequency:       every 7 days
  Retention Level: 1 (2 weeks)
  Maximum MPX:    1
  Residence:       (specific storage unit not required)
  Volume Pool:     (same as policy volume pool)
  Daily Windows:
    Sunday        22:00:00 --> Sunday        24:00:00
    Monday        23:00:00 --> Monday        24:00:00
    Tuesday       23:00:00 --> Tuesday       24:00:00
    Wednesday    23:00:00 --> Wednesday    24:00:00
    Thursday     23:00:00 --> Thursday     24:00:00
    Friday       23:00:00 --> Friday       24:00:00
    Saturday     22:00:00 --> Saturday     24:00:00
```



FILES

install_path\NetBackup\logs\admin*

install_path\NetBackup\db\sched*schedule name*

SEE ALSO

bpschedule



bpsetconfig

NAME

bpsetconfig - A program used to update a NetBackup configuration.

SYNOPSIS

```
install_path\NetBackup\bin\admincmd\bpsetconfig [-h host] [-u  
          user] [file ...]
```

```
install_path\NetBackup\bin\admincmd\bpsetconfig-H
```

DESCRIPTION

The `bpsetconfig` command is used as a standalone program, or as a helper program with the `backuptrace` and `restoretrace` commands, to update a configuration. This command is available for all NetBackup server platforms.

You must have administrative privileges to execute this command.

OPTIONS

- | | |
|-----------------------------|--|
| <code>-h <i>host</i></code> | Specifies the host name (<i>host</i>) of the server or client whose configuration will be updated. |
| <code>-u <i>user</i></code> | Specifies the user (<i>user</i>) whose configuration will be updated. |
| <code><i>file...</i></code> | Specifies the file or files where the updates are listed. If not specified, standard input is read. |
| <code>-H</code> | Displays the help screen. |

EXAMPLE

The following example demonstrates how to set a NetBackup configuration on a different system.

```
bpsetconfig -h orange.colors.org  
SERVER = yellow.colors.org  
SERVER = orange.colors.org  
<ctl-Z>
```

The result of running the this command is to set the NetBackup configuration on the system `orange.colors.org` to the designated server that follows. This means that `yellow.colors.org` is the master server for the client `orange.colors.org`:

```
SERVER = yellow.colors.org
```

```
SERVER = orange.colors.org
```



bpstsinfo

NAME

`bpstsinfo` - Displays storage servers, logical storage units (LSUs), and image attributes.

SYNOPSIS

```
install_path\NetBackup\bin\admincmd\bpstsinfo -serverinfo |  
-lsuinfo | -imageinfo [-servername server name]  
[-serverprefix server prefix] [-lsuname lsu_name  
[-lsuname lsu_name ...]] [-imagename image_name]  
[-imagedate image_date] [-imagedatestart image_date]  
[-imagedateend image date] [-imagetype STS_FULLL_ONLY |  
STS_INCR_ONLY] [-remote remote server [-remote remote  
server ...]]
```

DESCRIPTION

The `bpstsinfo` command displays the attributes for storage servers, logical storage units (LSUs), and images that reside on disk. Authorized users can execute this command. All errors for this command go to `stderr`. In addition, a log of the command's activity is sent to the NetBackup admin log file for the current day.

For more information about NetBackup authorization, refer to "Enhanced Authorization and Authentication" in the NetBackup System Administrator's Guide.

OPTIONS

`-serverinfo`

Optional argument. Print server information. Can be used in conjunction with `-lsuinfo` and `-imageinfo`.

`-lsuinfo`

Optional argument. Print LSU information. Can be used in conjunction with `-serverinfo` and `-imageinfo`.

`-imageinfo`

Optional argument. Print image information. Can be used in conjunction with `-serverinfo` and `-lsuinfo`.

`-imagedate image_date`

Used to specify a single image.

Acceptable formats:

03/08/2005 09:41:22

1110296416

Can be used with `-imageinfo` only.



Cannot be used with `-imagedatestart` or `-imagedateend`.

- `-servername` *server name*
Optional argument. *server_name* is the hostname of the STS server. If `-servername` is not specified, the hostname of the local host is used.
- `-serverprefix` *server prefix*
Optional filtering argument. By default, all server prefixes are used. Specify *server prefix* to limit to one prefix. Valid prefixes are "ntap:" and "STSBasicDisk:".
- `-lsuname` *lsu name* [`-lsuname` *lsu name* ...]
Optional filtering argument. By default, all LSUs are used. Specify *lsu name* to limit to one LSU for each `-lsuname` supplied.
- `-imagename` *image name*
Optional filtering argument. By default, all images are used. Specify *image name* to limit to only matching images.
- `-imagedatestart` *image date*
Optional filtering argument. By default, all images are used. Specify MM/DD/YYYY HH:MM:SS to limit the images to something that is equal to or newer than the image date.
- `-imagedateend` *image date*
Optional filtering argument. By default, all images are used. Specify MM/DD/YYYY HH:MM:SS to the images to something that is equal to or newer than the image date.
- `-imagetype` *image type*
Optional filtering argument. By default, both full and incremental images are used. Specify <image type> of STS_FULL_ONLY or STS_INCR_ONLY to limit to only a specific image type.
- `-remote` *server name* [`-remote` *remote server* ...]
Optional argument to do remote query for disk information for each `-remote` supplied. Can be used with `-serverinfo`, `-lsuinfo`, `-imageinfo`, or `-deleteimage`.

EXAMPLES

Example 1

List the attributes of the NearStore storage server named apricot:

```
bpstsinfo -serverinfo -serverprefix "ntap:" -servername apricot
ServerInfo:
  Server Name: apricot
  Supported Stream Formats:
  [
```



```
        TAR
    ]
    Server Flags: (STS_SRV_IMAGELIST | STS_SRV_CRED |
STS_SRV_CONRW)
    Media: (STS_LSU_MEDIUM_DISK)
    Maximum Connections: 128
    Current Connections: 4
    Supported Interfaces:
    [
        10.80.104.74
    ]
    Supported Credentials:
    [
        STS_CRED_MD5
    ]
```

Example 2

List the attributes of the `lsu /vol/dsu1` on NearStore storage server `apricot`:

```
bpstinfo -lsuinfo -serverprefix "ntap:" -servername apricot
-lsuname /vol/dsu1
LsuInfo:
    Server Name: mmnetapp2
    LSU Name: /vol/dsu1
    Description:
    Attention:
        Severity: STS_ESNONE
        Message:
    Size: 171798691840
    Bytes Used: 8895016960
    Maximum Transfer: 2048
    Block Size: 4096
    Resident Images: 47
    SaveAs: (STS_SA_CLEARF | STS_SA_IMAGE)
    Media: (STS_LSU_MEDIUM_DISK)
```

Example 3

List the attributes of the images on the `lsu /vol/dsu1` on the NearStore storage server `apricot`:

```
bpstinfo -imageinfo -serverprefix "ntap:" -servername apricot
-lsuname /vol/dsu1
ImageInfo:
    Image Name: monel_1119652734_C1_F1
    Date: 1119652734
    Full Date:
    Policy: db_backup
```

```
SaveAs: (STS_SA_CLEARF | STS_SA_IMAGE)
Stream Format: TAR
Type: STS_IMG_FULL
Server Name: apricot
LSU Name: /vol/dsu1
Size: 17596416
Block Size: 8192
Exports:
/vol/dsu1/nbu_monel_C1_F1.CLF_db_backup_0000 (STS_EXFS_NFS)
Status: (STS_II_IMAGE_CREATED | STS_II_FILES_CREATED)
```



bpstuadd

NAME

bpstuadd - Create a NetBackup storage unit group or a storage unit.

SYNOPSIS

```
install_path\NetBackup\bin\admincmd\bpstuadd -group group_name  
          stunit_name ... stunit_name [-sm selection_method]
```

```
install_path\NetBackup\bin\admincmd\bpstuadd -label storage_unit_label  
-path path_name | {-density density_type [-rt robot_type -rn  
robot_number]} [-host host_name] [-cj max_jobs] [-odo  
on_demand_only_flag] [-dt disk_type] [-flags flags] [-cf  
clearfiles] [-tt transfer_throttle] [-hwm  
high_water_mark] [-lwm low_water_mark] [-okrt  
ok_on_root] [-mfs max_fragment_size] [-maxmpx mpx_factor]  
[-nh NDMP_attach_host] [-nodevhost] [-verbose] [-M  
master_server, ...]
```

NOTICE for Pre-NetBackup 6.0 Media Servers:

The `-tt`, `-hwm`, `-lwm`, and `-okrt` options are ignored and set appropriately.

DESCRIPTION

The `bpstuadd` command creates a NetBackup storage unit or storage unit group. When creating a single storage unit, ensure you include a label for the new storage unit and either the `-density` or the `-path` option. The `bpstuadd` command will not create the storage unit if the master server has already created the maximum number of storage units allowed by its NetBackup configuration. The command will not create a storage unit that specifies the same destination medium as an existing storage unit.

Note This command does not enable you to change a disk storage unit (DSU) or a tape storage unit to a disk staging storage unit (DSSU). In addition, you cannot change a DSSU to a DSU or a tape storage unit.

There are several types of storage units. The storage-unit type affects how NetBackup stores the data. The options on the `bpstuadd` command line determine the storage-unit type, which is one of the following:

- ◆ Disk. The storage destination is a disk file system directory.
- ◆ Disk Staging. A disk staging storage unit (DSSU) addresses the automatic (or scheduled sweeping) of images from the DSSU to the final storage unit.

- ◆ **Media Manager.** The storage destination is a medium (a tape or optical device) managed by the Media Manager.
- ◆ **NDMP.** An NDMP storage unit is controlled by Media Manager. The NetBackup for NDMP option must be installed. Where the Media Manager storage-unit type is discussed in this command description, the discussion also applies to the NDMP storage-unit type, unless it is specifically excepted. The media for an NDMP storage unit always attach directly to an NDMP host and cannot be used to store data for other NetBackup clients. When defining an NDMP storage unit, the `bpstuadd` command must be run on the master server. Refer to the NetBackup for NDMP System Administrator's Guide for more information on adding NDMP storage units.

Errors go to `stderr`. A log of the command's activity goes to the NetBackup admin log file for the current day. See the NetBackup system administrator's guide for additional information on storage units.

This command can be executed by authorized users. For more information about NetBackup authorization, refer to "Enhanced Authorization and Authentication" in the *NetBackup System Administrator's Guide*.

OPTIONS

`-cf clearfiles 0 | 1`

This option enables the Nearstore P3 feature to do block-level sharing and reduce the total amount of disk space being used. If `cf = 0`, then data is backed up, bit for bit, like backing up to a basic disk. If `cf = 1` then the Nearstore enables block level sharing.

`-cj max_jobs`

The maximum number of concurrent jobs permitted for this storage unit. `max_jobs` is a non-negative integer. The appropriate value depends on your server's ability to comfortably run multiple backup processes and the available space on the storage media. Also, refer to Maximum Jobs per Policy in the *NetBackup System Administrator's Guide*.

0 means that this storage unit will never be selected when a job is being scheduled. The default is 1.

`-density density_type`

If this option is present, the storage unit type is Media Manager. There is no default for this option. Either `-density`, or `-path` must be on the command line. Do not use `-path` when `-density` is being used. If the robot type is specified on the command line, the value for `density` should be consistent with the robot type.

Valid `density` types are:

`d1t` - DLT Cartridge

`d1t2` - DLT Cartridge alternate



8mm - 8mm Cartridge
4mm - 4mm Cartridge
qscsi - 1/4 Inch Cartridge

Note The following densities are supported only on NetBackup Enterprise Servers.

hcart - 1/2 Inch Cartridge
hcart2 - 1/2 Inch Cartridge alternate
dtf - DTF Cartridge
odiskwm - Optical Disk Write-Many
odiskwo - Optical Disk Write-Once

-dt *disk_type*
Enables the user to specify a disk type. For example, valid values for *disk_type* are: 1 (basic), 2 (nearstore), or 3 (snapvault).

-flags *flags*
Specifies the storage unit to be a staging storage unit. This allows for a quick restore. Valid values for *flags* are: NONE or STAGE_DATA - Currently valid for only disk storage units.

-group *group_name stunit_name...stunit_name*
Add a storage unit group, specifying the group name and the storage unit(s) that comprise the group. Add multiple storage units to the storage unit group by separating the names with a space. The maximum length of a storage unit group label is 128 characters.

-help
Prints a command line usage message when -help is the only option on the command line.

-host *host_name*

Note NetBackup Server does not support remote media servers.

The NetBackup host that is associated with the destination media. The default is the hostname of the local system.

The host you select must be either your NetBackup master server or a remote media server (if you are configuring remote media servers). The host name must be the network name for the server as known by all NetBackup servers and clients.

If *host_name* is a valid network name, but it has not been configured in NetBackup previously, *host_name* will be added to NetBackup's configuration as a media server. On UNIX, this shows up as a SERVER

entry in the `bp.conf` file; on Windows, servers are specified in Host Properties for the server, in the Servers list. If `host_name` is not a valid network name, you must configure it manually.

`-hwm high_water_mark`

This option is a user-configurable threshold. The valid range for the High Water Mark is 0..100 percentage, and the default setting is 98% (the pre-NetBackup 6.0 setting is 100%). When the High Water Mark is reached, NetBackup will become proactive, under two different circumstances:

- When initiating a job, and the total capacity is used, the DSU is considered to be Full. If choosing from multiple storage units in a Storage Unit Group, media and device selection (MDS) will not assign a new job to a storage unit whose used capacity is at or above the High Water Mark; it will look for another Storage Unit in the group, to assign to the job.
- During a job, if the Staging attribute is set, and the total capacity is used, staging expires images to free space on the DSU. This happens to accommodate more backup data.

`-label storage_unit_label`

The name of the storage unit. This is a required option unless you are using `-group`. The maximum length of a storage-unit label is 128 characters.

`-lwm low_water_mark`

This option is a user-configurable threshold, used by Disk Storage Units that do staging. The valid range for the Low Water Mark is 0..100 percentage, and the default setting is 80% (the pre-NetBackup 6.0 behavior is to delete 2 or 10 images).

When the High Water Mark is reached, one of the following would need to happen:

- You would want to migrate images to other storage units, until the "Low Water Mark" is reached.
- You would need to free disk space by expiring disk images for the oldest staged images, until the "Low Water Mark" is reached.

NOTE: If the you want to save most of your data, then you would configure the Low Water Mark stting near your High Water Mark.

`-mfs max_fragment_size`

The maximum fragment size specifies, in megabytes, how large a fragment for a NetBackup image can be. NetBackup supports a maximum fragment size of 1,000,000 megabytes (1 terabyte).



For a Media Manager storage unit, this value is either zero or any integer greater than or equal to 50 megabytes (MB) and less than or equal to 1,048,576 megabytes (1024GB). The default value is 0, meaning the maximum of 1,048,576 megabytes.

For a Disk storage unit, this value ranges from 20 megabytes to 512,000 megabytes (512GB). The default value is 512GB.

-maxmpx *mpx_factor*

The maximum multiplexing factor. Multiplexing sends concurrent, multiple backups from one or several clients to a single drive. Refer to the topic "Multiplexing (MPX)" in the NetBackup system administrator's guide.

The multiplexing factor can range from 1 to 32. 1 means no multiplexing. A value greater than 1 means that NetBackup can create multiplexed images on the destination medium. Licensing determines the effective subset of the 1,...,32 range for the local NetBackup installation.

The default is 1.

-M *master_server*

A list of master servers. This is a comma-separated list of hostnames. If this option is present, the command is run on each of the master servers in this list. The master servers must allow access by the system issuing the command. If an error occurs for any master server, processing stops at that point. The default is the master server for the system where the command is entered.

-nh *NDMP_attach_host*

Specifies the hostname of the NDMP server. If this option is present, the storage unit type is set to NDMP. The default is no NDMP server.

-nodevhost

Indicates that there is to be no media server associated with this storage unit.

-odo *on_demand_only_flag*

The On-Demand-Only flag controls the condition under which NetBackup uses the storage unit:

To make the storage unit available only to policies or schedules that request it, set the flag to 1 (enabled).

To make the storage unit available to any policy or schedule, set the flag to 0 (disabled).

If the storage unit's type is Disk, the default is 1; NetBackup uses the storage unit only when explicitly requested. Otherwise, the default is 0.

DSSU's are on-demand-only. They have to be explicitly chosen as a back-up target.

`-okrt ok_on_root`

If this flag is not set, neither backups nor directory creation will occur on the root file system. If the `ok_on_root` flag is set, then backups and directory creations happen normally.

The default value for this flag is 0. (The pre-NetBackup 6.0 setting is 1.) This means that backups and directory creations to a disk storage unit (Basic Disk) will not occur if the path is on the root file system.

`-path path_name`

The path to a disk filesystem, expressed as an absolute pathname. This is the data storage area for this storage unit. When this option is present, the storage unit type is Disk. There is no default for this option. Either `-path` or `-density` must be on the command line. Do not use `-density` when `-path` is being used.

In general when this option is used, it is recommended that the On-Demand-Only flag be enabled (see `-odo`). Otherwise, any NetBackup policy that does not require a specific storage unit has the opportunity to fill the disk filesystem `path_name`. This can cause serious system problems. For instance, if the system swap area happens to be on the same filesystem, new processes may fail.

`-rn robot_number`

The robot number for this storage unit. The robot number must be greater than or equal to 0. The robot number can be obtained from the Media Manager device configuration. The Media Manager system administrator's guide discusses the rules concerning the use of this number. This option is ignored unless the `-rt` option is present. There is no default for this option.

`-rt robot_type`

The robot type for this storage unit. For non-robotic (standalone) devices select `NONE` or omit this option. The default value is `NONE` (Not Robotic). The value for density should be consistent with the robot type.

If this option is set to any value other than `NONE`, the `-rn` option is required. Available robot type codes are:

`NONE` - Not Robotic

`TL D` - Tape Library DLT

`ACS` - Automated Cartridge System

`TL8` - Tape Library 8MM

`TL4` - Tape Library 4MM

`ODL` - Optical Disk Library

`TSH` - Tape Stacker Half-inch

`TLH` - Tape Library Half-inch



TLM - Tape Library Multimedia

`-sm selection_method`

Allows you to select the method in which you chose a storage unit group. This command is only valid for storage units groups, and the valid values for *selection_method* are:

Prioritized = 1 (DEFAULT)

Least Recently Selected = 2

Failover = 3

`-tt transfer_throttle`

The Transfer Throttle setting appears for SnapVault storage units only.

The setting indicates the maximum SnapVault data transfer bandwidth. A setting of zero (default) indicates an unlimited bandwidth and data transfer would occur at the full network bandwidth. (Range: 0 (default) to 9999999.)

`-verbose`

Select verbose mode for logging. This is only meaningful when running with debug logging turned on (that is, the directory *install_path*\NetBackup\logs\admin is defined).

EXAMPLES**Example 1**

Create a new storage unit, named hatunit. Its storage unit type is Disk. The path for the storage unit is C:\tmp\hatdisk:

```
bpstuadd -label hatunit -path C:\tmp\hatdisk -verbose
<2>bpstuadd: INITIATING: NetBackup 3.2Beta created: 98121513
<2>bpstuadd: EXIT status = 0.
```

Example 2

Note The following example refers to remote media servers and applies only to NetBackup Enterprise Server. NetBackup Server supports only a master server, not remote media servers.

Create a storage unit using a UNIX server, which has not been configured previously in NetBackup:

```
% bpstuadd -label parrot_stu -host parrot -density dlt -rt TLD -rn 2
```

The remote media server parrot was added to the bp.conf file.

You must also install NetBackup and Media Manager on parrot and run the `add_slave_on_clients` executable on the master server.

```
% grep parrot /usr/opensv/netbackup/bp.conf
SERVER = parrot
```

RETURN VALUES

An exit status of 0 means that the command ran successfully.

Any exit status other than 0 means that an error occurred.

If administrative logging is enabled, the exit status is logged in the administrative daily log under the directory *install_path*\NetBackup\logs\admin in the form:

```
bpstuaddnew: EXIT status = exit status
```

If an error occurred, a diagnostic precedes this message.

FILES

install_path\NetBackup\logs\admin*

EMM database

SEE ALSO

bpstudel, bpstulist, bpsturep



bpstudel

NAME

bpstudel - Delete a NetBackup storage unit or storage unit group.

SYNOPSIS

```
install_path\NetBackup\bin\admincmd\bpstudel -label storage_unit_label  
[-verbose] [-M master_server, ...master_server]
```

```
install_path\NetBackup\bin\admincmd\bpstudel -group group_name  
[-verbose] [-M master_server, ...master_server]
```

DESCRIPTION

The `bpstudel` command deletes a NetBackup storage unit or storage unit group. The command must include either a label name for the storage unit or a group name for the storage unit group, but not both.

If `bpstudel` cannot delete the storage unit (if for instance, if the storage unit label is mistyped on the command line), it does not return an error message. You can run `bpstulist` to verify that the storage unit was deleted.

Errors are sent to `stderr`. A log of the command's activity is sent to the NetBackup admin log file for the current day. See your NetBackup system administrator's guide for additional information on storage units.

This command can be executed by authorized users. For more information about NetBackup authorization, refer to "Enhanced Authorization and Authentication" in the *NetBackup System Administrator's Guide*.

OPTIONS

-label *storage_unit_label*

The name of the storage unit. This is a required option. The maximum length for a storage-unit label is 128 characters.

-group *group_name*

The name of a storage unit group. If this option is present, the named storage unit group is deleted.

-M *master_server*

A list of master servers. This is a comma-separated list of host names. If this option is present, the command is run on each of the master servers in this list. The master servers must allow access by the system issuing the command. If an error occurs for any master server, processing stops at that point. The default is the master server for the system where the command is entered.



-verbose

Select verbose mode for logging. This is only meaningful when running with debug logging turned on (that is, the directory *install_path*\NetBackup\logs\admin is defined).

EXAMPLES

Delete the storage unit named `tst.dsk`, listing the existing storage units before and after the deletion:

```
bpstulist
stuunit 0 mango 0 -1 -1 1 0 C:\tmp\stuunit 1 1 2000 *NULL*
tst.dsk 0 mango 0 -1 -1 3 0 C:\hsm3\dsk 1 1 2000 *NULL*
```

```
bpstudel -label tst.dsk
```

```
bpstulist
stuunit 0 mango 0 -1 -1 1 0 C:\tmp\stuunit 1 1 2000 *NULL*
```

FILES

install_path\NetBackup\logs\admin*

EMM database

SEE ALSO

bpstuadd, bpstulist, bpsturep



bpstulist

NAME

`bpstulist` - Display one or all of the NetBackup storage units or storage unit groups.

SYNOPSIS

```
install_path\NetBackup\bin\admincmd\bpstulist -label
    storage_unit_label,...,storage_unit_label
    [-L|-l|-U|-show_available|-lsa] [-g|-go] [-verbose]
    [-M master_server, . . . ,master_server]

install_path\NetBackup\bin\admincmd\bpstulist [-group group_name]
    [-verbose] [-M master_server, . . . master_server]
```

DESCRIPTION

The `bpstulist` command displays the attributes for a NetBackup storage unit or storage unit group. If no storage unit label or storage unit group name is specified, the command displays the attributes for all NetBackup storage units or storage unit groups. In addition, this command will accept a comma-separated list of storage unit labels and display the information for each of the storage units. The `-show_available` and `-lsa` flags provide you with a way to list all of the configured media servers for a particular storage unit.

Errors are sent to `stderr`. A log of the command's activity is sent to the NetBackup admin log file for the current day. See your NetBackup system administrator's guide for additional information on storage units.

This command can be executed by authorized users. For more information about NetBackup authorization, refer to "Enhanced Authorization and Authentication" in the *NetBackup System Administrator's Guide*.

OPTIONS

List-type options:

-L

The list type is long. This option produces a listing with one storage-unit attribute per line, in the format *storage-unit attribute: value*. Some attribute values are expressed in both interpreted and raw form. For instance, a robot-type entry might be `TL4 (7)` (7 is NetBackup's internal value for a TL4 robot).

For a disk storage unit, a long listing has these attributes for each storage unit:

- Label

- Storage Unit Type (For example, Disk Staging (6))



- Media Subtype
- Host Connection
- Concurrent Jobs
- On Demand Only
- Path
- Robot Type (not robotic)
- Max Fragment Size
- Max MPX
- Stage data
- High Water Mark
- Ok On Root

For a Media Manager storage unit, a long listing has these attributes for each storage unit:

- Label
- Storage Unit Type (For example, Disk Staging (6))
- Media Subtype
- Host Connection
- Concurrent Jobs
- On Demand Only
- Path
- Robot Type
- Max Fragment Size
- Max MPX/drive
- Stage data
- High Water Mark
- Low Water Mark
- Ok On Root

-1

The list type is short. This produces a terse listing. This option is useful for scripts or programs that rework the listing contents into a customized report format. This is the default list type.

A single line contains the information for a storage unit, with all attribute values expressed in raw form. The fields on this line are:

- label
- storage unit type
- host



- robot_type
- robot_number
- density
- concurrent_jobs
- initial_mpx
- path
- on_demand_only
- max_mpx
- maxfrag_size
- ndmp_attach_host

-U

The list type is user. This option produces a listing with one storage-unit attribute per line, in the format *storage-unit attribute: value*. Attribute values are expressed in interpreted form. For instance, a robot-type value might be TL4, instead of 7.

For a disk storage unit, a user-type listing has these attributes for each storage unit:

- Label
- Storage Unit Type (this is the storage-unit type)
- Storage Unit Subtype
- Host Connection
- Concurrent Jobs
- On Demand Only
- Max MPX
- Path
- Max Fragment Size
- Stage data
- High Water Mark
- Ok On Root

For a Media Manager storage unit, a user-type listing has these attributes for each storage unit:

- Label
- Storage Unit Type (this is the storage-unit type)
- Storage Unit Subtype
- Host Connection
- Concurrent Jobs
- On Demand Only



- Max MPX/drive
- Path
- Max Fragment Size
- Stage data
- High Water Mark
- Low Water Mark
- Ok On Root

- g This list type causes the storage unit list to include the storage unit groups. The format of this option produces a listing with one storage unit group per line, in the format *group_name: group_members*. This option also includes the Selection Method value at the end of the Storage Unit Group List.
- go This list type causes the storage unit list to include only information on the storage unit groups.

Here are the remaining options for `bpstulist`:

- label *storage_unit_label, . . . , storage_unit_label*
The name of the storage unit. This is a comma-separated list of storage unit labels. If this option is not present, the listing is for all storage units. The maximum length for a storage-unit label is 128 characters.
- group *group_name*
A list that includes all defined storage units and storage unit groups. The list type for the list of storage units is short. This produces a terse listing. The list of storage unit groups is in the format *group_name: group_members*.
- lsa Lists all storage units in the database including any available media servers on the media server list.
- M *master_server, . . . , master_server*
A list of master servers. This is a comma-separated list of hostnames. If this option is present, the command is run on each of the master servers in this list. The master servers must allow access by the system issuing the command. If an error occurs for any master server, processing stops at that point in the list. The default is the master server for the system where the command is entered.
- show_available Lists all storage units in the database including any available media servers on the media server list.



-verbose

Select verbose mode for logging. This is only meaningful when running with debug logging turned on (that is, the directory *install_path*\NetBackup\logs is defined).

EXAMPLES

Example 1

List the storage units defined on the master server apricot, using the -U display option:

```
bpstulist -U -M apricot
```

```
Label:                redtest
Storage Unit Type:   Disk
Host Connection:     apricot
Concurrent Jobs:    1
On Demand Only:     yes
Max MPX:            4
Path:               /usr/redtest
Max Fragment Size: 512000 MB
```

```
Label:                bluetest
Storage Unit Type:   Media Manager
Host Connection:     apricot
Number of Drives:   6
On Demand Only:     yes
Max MPX/drive:      1
Density:            4mm - 4mm Cartridge
Robot Type/Number:  TL4 / 0
Max Fragment Size: 1048576 MB
```

Example 2

The following output is realized using the following `bpstuadd` command to create a regular disk storage unit:

```
bpstuadd -label apple -path /tmp/apple -flags STAGE_DATA - creates a regular Disk STU
```

Short output:

```
apple 0 felix.min.veritas.com 0 -1 -1 1 0 "/tmp/apple" 1 1 2000 *NULL*
```

Long output:

```
Label:                apple
Media Type:           Disk (0)
Host Connection:     felix.min.veritas.com
Concurrent Jobs:    1
```



On Demand Only: yes
Path: "/tmp/apple"
Robot Type: (not robotic)
Max Fragment Size: 512000 MB
Max MPX: 1

FILES

install_path\NetBackup\logs\admin*

EMM database

SEE ALSO

bpstuadd, bpstudel, bpsturep



bpsturep

NAME

bpsturep - Replace selected NetBackup storage unit attributes.

SYNOPSIS

```
install_path\NetBackup\bin\Admincmd\bpsturep -label storage_unit_label  
[-verbose] [-host host_name | -nodevhost] [-cj max_jobs]  
[-odo on_demand_only_flag] [-mfs max_fragment_size]  
[-maxmpx mpx_factor] [-dt disk_type] [-cf 0|1] [-flags  
flags] [-tt transfer_throttle] [-hwm high_water_mark]  
[-lwm low_water_mark] [-okrt ok_on_root]
```

```
install_path\NetBackup\bin\admincmd\bpsturep [{-path path_name} |  
{-density density [-rt robot_type -rn robot_number]}] | {-nh  
NDMP_attach_host}
```

```
install_path\NetBackup\bin\admincmd\bpsturep -group storage_unit_group  
[-addstu | -delstu] storage_unit [-M master_server, ...]  
[-sm selection_method]
```

NOTICE for Pre-NetBackup 6.0 Media Servers:

The -tt, -hwm, -lwm, and -okrt options are ignored and set appropriately.

DESCRIPTION

The `bpsturep` command modifies an existing NetBackup storage unit by replacing selected storage-unit or storage-unit-group attributes in the NetBackup catalog. The command line must include a label for the storage unit or a group name for the storage unit group. The label or group name is the only storage-unit attribute that `bpsturep` cannot modify.

Note This command does not enable you to change a disk storage unit (DSU) or a tape storage unit to a disk staging storage unit (DSSU). In addition, you cannot change a DSSU to a DSU or a tape storage unit.

Use the `bpsturep` command with care. The changes to the storage unit or storage unit group must be compatible with existing attributes. Make sure resulting attribute combinations are valid, especially for the following attributes:

robot_type

robot_number

density_type

max_fragment_size

path_type

NDMP_attach_host

The safest way to modify these attributes is to run `bpsturep` once for each attribute to be replaced.

`bpsturep` makes the changes by deleting the old storage unit and adding a new storage unit with the specified attribute changes. Therefore, if `bpsturep` specifies invalid options or an invalid combination of options, the storage unit may be deleted without being re-added. It is best to run `bpstulist` after `bpsturep` to determine whether the intended changes were actually applied.

Errors go to `stderr`. A log of the command's activity goes to the NetBackup administrative log file for the current day. See your NetBackup system administrator's guide for additional information on storage units.

This command can be executed by authorized users. For more information about NetBackup authorization, refer to "Enhanced Authorization and Authentication" in the *NetBackup System Administrator's Guide*.

OPTIONS

`-cf clearfiles 0 | 1`

This option enables the Nearstore P3 feature to do block-level sharing and reduce the total amount of disk space being used. If `cf = 0`, then data is backed up, bit for bit, like backing up to a basic disk. If `cf = 1` then the Nearstore enables block level sharing.

`-cj max_jobs`

The maximum number of concurrent jobs permitted for this storage unit. `max_jobs` is a non-negative integer. The appropriate value depends on your server's ability to comfortably run multiple backup processes and the available space on the storage media. Also, refer to the Maximum Jobs per Policy topic in your NetBackup system administrator's guide. 0 means that this storage unit will never be selected when a job is being scheduled. The default is 1.

`-density density_type`

If this option is present, the storage unit type is Media Manager. There is no default for this option. One of `-density` or `-path` must be on the command line, but not both. If the command line includes a robot type, the value for density should be consistent with the robot type.

Valid density types are:

`d1t` - DLT Cartridge

`d1t2` - DLT Cartridge alternate



8mm - 8mm Cartridge
4mm - 4mm Cartridge
qscsi - 1/4 Inch Cartridge

Note: The following densities apply only to NetBackup Enterprise Servers.

hcart - 1/2 Inch Cartridge
hcart2 - 1/2 Inch Cartridge alternate
dtf - DTF Cartridge
odiskwm - Optical Disk Write-Many
odiskwo - Optical Disk Write-Once

- `-dt disk_type`
Enables the user to specify a disk type. For example, valid values for *disk_type* are: 1 (basic), 2 (nearstore), or 3 (snapvault).
- `-flags flags`
Specifies the storage unit to be a staging storage unit. This allows for a quick restore. Valid values for *flags* are: NONE or STAGE_DATA - Currently valid for only disk storage units.
- `-group storage_unit_group`
The name of a storage unit group. This is the storage unit whose members `bpsturep` adds or deletes. Use `-addstu storage_unit` to add storage units to the group. Use `-delstu storage_unit` to remove storage units from the group.
- `-host host_name`
Note: NetBackup Server does not support remote media servers.

The NetBackup host to which the destination media is attached. The default is the hostname of the local system.

The host you select must be either your NetBackup master server or a media server (if you are configuring media servers). The host name must be the network name for the server as known by all NetBackup servers and clients.

If *host_name* is a valid network name and is not yet configured in NetBackup, the value *host_name* will be added to NetBackup's configuration as a media server. On UNIX, this shows up in `bp.conf`; on Windows, this shows up in the Configuration window for Servers. If *host_name* is not a valid network name, you must configure it manually.

`-hwm high_water_mark`

This option is a user-configurable threshold. The default setting for the High Water Mark is 98% (the pre-NetBackup 6.0 setting is 100%). When the High Water Mark is reached, NetBackup will become proactive, under two different circumstances:

- When initiating a job, and the total capacity is used, the DSU is considered to be Full. If choosing from multiple storage units in a Storage Unit Group, media and device selection (MDS) will not assign a new job to a storage unit whose used capacity is at or above the High Water Mark; it will look for another Storage Unit in the group, to assign to the job.
- During a job, if the Staging attribute is set, and the total capacity is used, staging expires images to free space on the DSU. This happens to accommodate more backup data.

`-label storage_unit_label`

The name of a storage unit. This is the storage unit whose attributes `bpsturep` replaces. This is a required option. The maximum length of a storage-unit label is 128 characters.

`-lwm low_water_mark`

This option is a user-configurable threshold, used by Disk Storage Units that do staging. The default setting for the Low Water Mark is 80% (the pre-NetBackup 6.0 behavior is to delete 2 or 10 images).

When the High Water Mark is reached, you should do one of the following:

- Migrate images to other storage units, until the "Low Water Mark" is reached.
- Free disk space by expiring disk images for the oldest staged images, until the "Low Water Mark" is reached.

NOTE: If the you want to save most of your available data, then configure the Low Water Mark stting near the High Water Mark. In addition, the Low Water Mark must be less than High Water Mark. They cannot be equal settings.

`-mfs max_fragment_size`

The maximum fragment size specifies, in megabytes, how large a fragment for a NetBackup image can be. NetBackup supports a maximum fragment size of 1,000,000 megabytes (1 terabyte).

For a Media Manager storage unit, this value is either zero or any integer greater than or equal to 50 megabytes (MB) and less than or equal to 1,048,576 megabytes (MB) or (1024GB). The default value is 0is equivalent to the largest value allowed, 1024GB.

For a Disk storage unit, this value ranges from 20 megabytes to 2000 megabytes (2 gigabytes). The default value is 524288 (512GB).



-maxmpx *mpx_factor*

The maximum multiplexing factor. Multiplexing sends concurrent, multiple backups from one or several clients to a single drive. Refer to the topic "Multiplexing (MPX)" in your NetBackup system administrator's guide.

The multiplexing factor can range from 1 to 32, where 1 means no multiplexing. A value greater than 1 means that NetBackup can create multiplexed images on the destination medium. Depending on the licensing of the local NetBackup installation, it may not be possible to assign multiplexing factors in the entire range 1..32.

The default is 1.

-M *master_server_*

A list of master servers. This is a comma-separated list of hostnames. If this option is present, the command is run on each of the master servers in this list. The master servers must allow access by the system issuing the command. If an error occurs for any master server, processing stops at that point in the list. The default is the master server for the system where the command is entered.

-nh *NDMP_attach_host*

Specifies the hostname of the NDMP server. If this option is present, the storage unit type is set to NDMP. The default is no NDMP server.

-nodevhost

Indicates that there is to be no media server associated with this storage unit.

-odo *on_demand_only_flag*

The *on-demand-only* flag controls whether the storage unit is used only for backups that explicitly request (demand) the storage unit:

To make the storage unit available only to policies or schedules that request it, set the flag to 1 (enabled).

To make the storage unit available to any policy or schedule, set the flag to 0 (disabled).

If the storage unit's type is Disk, the default is 1; NetBackup uses the storage unit only when explicitly requested. Otherwise, the default is 0.

-okrt *ok_on_root*

If this flag is not set, neither backups nor directory creation will occur on the root file system. If the *ok_on_root* flag is set, then backups and directory creations happen normally.

The default value for this flag is 0. (The pre-NetBackup 6.0 setting is 1.) This means that backups and directory creations to a disk storage unit (Basic Disk) will not occur if the path is on the root file system.

Note: Root on Windows is the Volume that the windows\system directory resides on .

`-path path_name`

The path to a disk filesystem, expressed as an absolute pathname. This is the data storage area for this storage unit. When this option is present, the storage unit type is `Disk`. There is no default for this option. One of `-density` or `-path` must be on the command line, but not both.

In general when this option is used, it is recommended that the *on-demand-only* flag be enabled (see `-odo`). Otherwise, any NetBackup policy that does not require a specific storage unit has the opportunity to fill the disk filesystem *path_name*. This can cause serious system problems. For instance, if the system swap area happens to be on the same filesystem, new processes may fail.

If the path name is defined as a disk staging storage unit (DSSU), then this option can be used to change the path name a different DSSU. It cannot be used to change a DSSU to a different type of storage unit.

`-rn robot_number`

The robot number for this storage unit. The robot number must be greater than or equal to 0. The robot number can be obtained from the Media Manager device configuration. The Media Manager system administrator's guide discusses the rules concerning the use of this number. This option is ignored unless the `-rt` option is present. There is no default for this option.

`-rt robot_type`

The robot type for this storage unit. For non-robotic (standalone) devices select `NONE` or omit this option. The default value is `NONE` (Not Robotic).

The value for density should be consistent with the robot type

If this option is set to any value other than `NONE`, the `-rn` option is required.

Available robot type codes are:

`NONE` - Not Robotic

`TLD` - Tape Library DLT

`ACS` - Automated Cartridge System

`TL8` - Tape Library 8MM

`ODL` - Optical Disk Library

`TSH` - Tape Stacker Half-inch

`TLH` - Tape Library Half-inch

`TLM` - Tape Library Multimedia



`-sm selection_method`

Allows you to select the method in which you chose a storage unit group. This command is only valid for storage units groups, and the valid values for *selection_method* are:

Prioritized = 1 (DEFAULT)

Least Recently Selected = 2

Failover = 3

`-tt transfer_throttle`

The Transfer Throttle setting appears for SnapVault storage units only.

The setting indicates the maximum SnapVault data transfer bandwidth.

A setting of zero (default) indicates an unlimited bandwidth and data transfer would occur at the full network bandwidth. (Range: 0 (default) to 9999999.)

`-verbose`

Select *verbose* mode for logging. This is only meaningful when running with debug logging turned on (that is, the directory *install_path*\NetBackup\logs\admin is defined).

EXAMPLES

Change the path for a disk storage unit, *mkbunit*. The path is changed from

`C:\tmp\mkbunit` to `C:\tmp\mkbunit2`:

```
bpstulist
mkbunit 0 beaver 0 -1 -1 1 0 C:\tmp\mkbunit 1 1 2000 *NULL*
bpsturep -label mkbunit -path C:\tmp\mkbunit2
bpstulist
mkbunit 0 beaver 0 -1 -1 1 0 C:\tmp\mkbunit2 1 1 2000 *NULL*
```

FILES

install_path\NetBackup\logs\admin*

EMM database

SEE ALSO

`bpstuadd`, `bpstudel`, `bpstulist`

bptestbpcd(1M)

NAME

bptestbpcd - Test bpcd connections and verify connect options.

SYNOPSIS

```
install_path\NetBackup\bin\admincmd\bptestbpcd
  [-connect_options 0|1|2 0|1|2 0|1|2|3] [-host
  host_name] [-client client_name] [-M server]
  [-wait_to_close seconds] [-verbose] [-debug]
```

DESCRIPTION

The `bptestbpcd` command will attempt to establish a connection from a NetBackup server to the `bpcd` daemon on another NetBackup system. If successful, it will report information about the sockets that are established.

The first line of output is three digits representing the effective connect options. The first digit is 0 if reserved ports are used and 1 if non-reserved ports are used. The second digit is 0 if legacy (random port) call-back is used and 1 if `vneta`d call-back is used. The third digit is 1 if the connection is initiated on the `vneta`d port number and 2 if the connection is initiated on the legacy `bpcd` port number.

The second and third lines display the NetBackup server IP address and port number, the direction of the connection, and the `bpcd` IP address and port number for the first two sockets established. If the connection is to a NetBackup client, a third socket is established and the NetBackup server IP address and port number, the direction of the connection, and the `bpcd` IP address and port number is displayed in an additional line.

OPTIONS

```
-connect_options 0|1|2 0|1|2|3 0|1|2|3
```

The first setting indicates the type of port to use to connect to `bpcd` on the client:

0 = Use a reserved port number.

1 = Use a nonreserved port number. If you select this option, enable Allow Nonreserved Ports for the client. See the Universal Settings dialog under Host Properties > Media Servers. (See "Accept Connections on Non-reserved Ports" in NetBackup System Administrator's Guide for UNIX, Volume I.)

2 = Use the value defined by the `DEFAULT_CONNECT_OPTIONS` configuration entry on the server.



The second setting indicates the bpcd call-back method to use to connect to the client:

0 = Use the traditional call-back method.

1 = Use the vnetd no call-back method.

2 = Use the value defined by the `DEFAULT_CONNECT_OPTIONS` configuration entry on the server.

The third setting indicates the connection method to use to connect the client:

0 = Connect to a daemon on the client using vnetd if possible, otherwise connect using the traditional port number of the daemon.

1 = Connect to a daemon on the host using vnetd only.

2 = Connect to a daemon on the server using the traditional port number of the daemon only.

3 = Use the value defined by the `DEFAULT_CONNECT_OPTIONS` configuration entry on the server.

If `-connect_options` is not specified, the configured connect options from the client database, the `CONNECT_OPTIONS` configuration entry and/or the `DEFAULT_CONNECT_OPTIONS` configuration entry will be used.

`-client` *client_name*

The client name of the system to connect to. If neither `-host` nor `-client` is specified, the host name of the local system will be used.

`-debug`

Display debug logging information to standard error rather than the normal debug log file.

`-host` *host_name*

The host name of the system to connect to. Typically, *host_name* will be the host name of a NetBackup server. If neither `-host` nor `-client` is specified, the host name of the local system will be used.

`-M` *server*

The host name of the NetBackup server that initiates the connection. If `-server` is specified, the host name of the local system will be used.

`-wait_to_close` *seconds*

Number of seconds to wait before closing the sockets after the connection to bpcd is established. The default is 0.

`-verbose`

Display additional information about the bpcd host or client such as the bpcd protocol number.

EXAMPLES

Example 1

In this example, a connection from the local system to server *fred* is attempted using the legacy connect options:

```
# cd /usr/opensv/netbackup/bin/admincmd
# ./bptestbpcd -host fred -connect_options 0 0 2
0 0 2
10.0.0.32:748 -> 10.0.0.59:13782
10.0.0.32:983 <- 10.0.0.59:635
```

Example 2

In this example, a connection from the server *fred* is attempted to the client *barney* using the *vneta* port number if possible:

```
# cd /usr/opensv/netbackup/bin/admincmd
# ./bptestbpcd -M fred -client barney -connect_options
2 2 0
1 1 1
10.0.0.59:40983 -> 10.0.0.104:13724
10.0.0.59:40984 -> 10.0.0.104:13724
10.0.0.59:40985 -> 10.0.0.104:13724
```



bpup

NAME

bpup - Starts NetBackup services on Windows systems.

SYNOPSIS

```
install_path\NetBackup\bin\bpup [-h] [-S|v] [-f] [-a] [-c] [-d]  
[-m] [-n] [-s]
```

DESCRIPTION

The bpup command is used to start NetBackup services including the NetBackup databases, Media Manager, and clients.

OPTIONS

- h
This option displays the help screen.
- S
This options enables you to select silent mode. With this option, no listing is generated and no confirmation is requested.
- v
This options selects the verbose mode and generates a detailed listing.
- f
This option forces the startup of the NetBackup services without prompting the user for a confirmation.
- c
This option starts the client.
- d
This option starts the NetBackup database.
- m
This option starts Media Manager.
- n
This option starts the NetBackup services.
- s
This option starts the server and not the client (NetBackup Media Manager).

SEE ALSO

bpdown



bpverify

NAME

`bpverify` - Verify the backups created by NetBackup.

SYNOPSIS

```
install_path\NetBackup\bin\admincmd\bpverify [-l] [-p] [-pb] [-v]
[-local] [-client name] [-st sched_type] [-sl sched_label]
[-L output_file [-en]] [-policy name] [-s date] [-e date]
[-M master_server] [-Bidfile file_name] [-pt policy_type]
[-hoursago hours] [[-cn copy number] |
[-primary]] [-backupid backup_id] [-id media_id | path]
```

DESCRIPTION

`bpverify` verifies the contents of one or more backups by reading the backup volume and comparing its contents to the NetBackup catalog. This operation does not compare the data on the volume with the contents of the client disk. However, it does read each block in the image, thus verifying that the volume is readable. NetBackup verifies only one backup at a time and tries to minimize media mounts and positioning time.

If either `-Bidfile` or `-backupid` is specified, `bpverify` uses this option as the sole criterion for selecting the set of backups it will verify. If the command line does not contain `-Bidfile` or `-backupid`, then `bpverify` selects the backups that satisfy all the selection options. For instance, if the command line looks like

```
bpverify -pt Standard -hoursago 10
```

then `bpverify` verifies the set of backups with policy type `Standard` that have been run in the past 10 hours.

If `-p` or `-pb` is specified, `bpverify` previews the set of backups that meet the selection criteria. In this case, `bpverify` displays the backup IDs, but does not perform the verification.

`bpverify` sends its error messages to `stderr`. `bpverify` sends a log of its activity to the NetBackup admin log file for the current day (found in *install_path*\NetBackup\Logs\admin).

This command can be executed by authorized users. For more information about NetBackup authorization, refer to "Enhanced Authorization and Authentication" in the *NetBackup System Administrator's Guide*.

OPTIONS

- `-Bidfile` *file_name*
file_name specifies a file that contains a list of backup IDs to be verified. In addition, the file specified with the `-Bidfile` parameter is removed during the execution of that command line interface (CLI). This happens because the NetBackup GUI's commonly use this parameter and the GUIs expect the command-line interface to remove the temporary file that was used for the `-Bidfile` option upon completion. Direct command-line interface users can also use the option, however it will remove the file.
The file contains one backup ID per line. If this option is specified, other selection criteria are ignored. The default is no file of backup IDs, meaning any backup can be verified.
- `-backupid` *backup_id*
Specifies the backup ID of a single backup to verify. This option takes precedence over any other selection criteria except `-Bidfile`. The default is any backup.
- `-policy` *name*
Search for backups to verify in the specified policy. The default is any policy.
- `-client` *name*
Specifies the name of the client that produced the original backup. The default is any client.
- `-cn` *copy_number*|-primary
Determines the copy number of the backup ID to verify. Valid values are 1 through the setting indicated by the `bpconfig -max_copies` setting, up to 10. The default is 1.
`-primary` indicates that the primary copy should be verified rather than the copy.
- `-pt` *policy_type*
Specifies the policy type for selecting backups to verify. The default is any policy type.
The valid policy types are the following:
AFS
DataStore
DataTools-SQL-BackTrack
DB2
FlashBackup
Informix-On-BAR



Lotus-Notes
MS-Exchange-Server
MS-SQL-Server
MS-Windows
NCR-Teradata
NDMP
NetWare
Oracle
OS/2
SAP
Split-Mirror
Standard
Sybase

-e *date*

Specifies the end of the time range for selecting backups to verify. The **-s** option or the **-hoursago** option specifies the start of the range.

The format of *date* depends on the user's locale setting. See the NOTES section for more information. For the C locale, the date syntax is as follows:

mm/dd/yyyy [hh[:mm[:ss]]]

The default ending time is the current date and time.

-help

Prints a command line usage message when **-help** is the only option on the command line.

-hoursago *hours*

Specifies the number of hours before the current time to search for backups. This is equivalent to specifying a start time (**-s**) of the current time minus hours. Do not use both this option and the **-s** option.

Hours is a non-negative integer. The default starting time is 24 hours ago.

-id *media_id* | *path*

Search the image catalog for backups to verify that are on this media ID or pathname. If a backup has some fragments on this media ID and some fragments on another media ID, NetBackup skips verifying that backup. For images stored on disk rather than removable media, specify an absolute pathname instead of *media_id*. The default is any media ID or pathname.

-
- `-L output_file [-en]`
Specifies the name of a file in which to write progress information. The default is to not use a progress file, in which case the progress information is written to `stderr`. For additional information, see DISPLAY FORMATS later in this command description.
Include the `-en` option to generate a log in English. The name of the log will contain the string `_en`. This option is useful to support personnel assisting in a distributed environment where differing locales may create logs of various languages.
- `-l`
Specifies that the list type is long, causing `bpverify` to write additional information to the progress log. The default list type is short. For additional information, see DISPLAY FORMATS later in this command description.
- `-local`
When `bpverify` is initiated from a host other than master server and the `-local` option is *not* used (default), `bpverify` starts a remote copy of the command on the master server.
The remote copy allows the command to be terminated from the **Activity Monitor**.
Use the `-local` option to prevent the creation of a remote copy on the master server and to run the `bpverify` only from the host where it was initiated.
If the `-local` option is used, `bpverify` cannot be canceled from the **Activity Monitor**.
- `-M master_server`
Specifies the master server that provides the `bpverify` image data. The master server must allow access by the system issuing the `bpverify` command. The default is the master server for the system where `bpverify` is entered:
For NetBackup Server:
The default is always the master server where the command is entered.
For NetBackup Enterprise Server:
If the command is entered on a master server, then that server is the default.
If the command is entered on a remote media server, then the master for that media server is the default.



- p** Previews the verification, but does not perform the verification. For additional information, see DISPLAY FORMATS later in this command description.
- pb** Previews the verification but does not perform the verification. This is similar to the **-p** option, but **-pb** does not display information about the individual backups. For additional information, see DISPLAY FORMATS later in this command description.
- s *date*** Specifies the start of the range of dates and times that include all backups to verify. The **-e** option specifies the end of the range. The format of *date* depends on the user's locale setting. See the NOTES section for more information. For the C locale, the date syntax is as follows:
mm/dd/yyyy [hh[:mm[:ss]]]
The default is 24 hours ago.
- sl *sched_label*** Search for backups to verify that were created by the specified schedule. The default is all schedules.
- st *sched_type*** Search for backups to verify that were created by the specified schedule type. The default is any schedule type.
Valid values are:
FULL (full backup)
INCR (differential-incremental backup)
CINC (cumulative-incremental backup)
UBAK (user backup)
UARC (user archive)
NOT_ARCHIVE (all backups except user archive)
- v** Selects verbose mode. When **-v** is specified, the debug and progress logs include more information. The default is not verbose.

DISPLAY FORMATS

PREVIEW DISPLAYS:

`bpverify` runs a preview by searching for backups and displaying them. `bpverify` does not actually verify the backups.



- ◆ The `-p` display lists backup IDs that meet the criteria set by the `bpverify` command-line options. The `-p` display is ordered by volume. For each volume containing a selected backup, the media ID and server are displayed, followed by the selected backup IDs that reside on that volume
- ◆ The `-pb` display is a brief version of the `-p` display. It lists the media ID and server for each volume that contains backups that meet the selection criteria.

VERIFICATION DISPLAYS:

`bpverify` creates these displays as it verifies images. If the `bpverify` command line contains no option to set the list format, the display format is short. If the command line contains `-l`, the display format is long. If the command line contains both `-l` and `-L`, `bpverify` creates a file containing the progress log.

The verification display is ordered by volume.

- ◆ In long format, `bpverify` displays the following information for each selected backup ID:
 - Policy, schedule, backup ID, media ID or path, and creation time
 - Files backed up
 - Any problems that `bpverify` detects while verifying the image
 - Whether the image verification is successful or not
- ◆ In short format, `bpverify` omits listing the files backed up.

NOTES

The format that you must use for date and time option values varies according to the locale setting. The examples in this command description are for a locale setting of C.

EXAMPLES

Example 1

The following example verifies the backups run in the past 36 hours:

```
bpverify -hoursago 36
Verify started Thu Feb  3 11:30:29 2003
INF - Verifying policy mkb_policy, schedule Full
(plim_0949536546), path /tmp/mkbunit, created 02/02/01 18:09:06.
INF - Verify of policy mkb_policy, schedule Full
(plim_0949536546) was successful.
INF - Status = successfully verified 1 of 1 images.
```

Example 2

The following example compares the two preview displays, `-p` and `-pb`:



```
bpverify -p -hoursago 2002
Media id = A00002 Server = plim
Bid = plim_0949616279 Kbytes = 32800 Filenum = 1 Fragment = 1
Bid = gava_0949681647 Kbytes = 12191 Filenum = 2 Fragment = 1
Bid = gava_0949683298 Kbytes = 161 Filenum = 3 Fragment = 1
Bid = gava_0949683671 Kbytes = 11417 Filenum = 4 Fragment = 1
Bid = gava_0949684009 Kbytes = 11611 Filenum = 5 Fragment = 1
Bid = gava_0949684276 Kbytes = 806 Filenum = 6 Fragment = 1
Bid = gava_0949688704 Kbytes = 9869 Filenum = 7 Fragment = 1
Bid = gava_0949688813 Kbytes = 9869 Filenum = 8 Fragment = 1
Bid = gava_0949949336 Kbytes = 10256 Filenum = 9 Fragment = 1
Bid = plim_0949949337 Kbytes = 6080 Filenum = 9 Fragment = 1
Bid = plim_0949949337 Kbytes = 4176 Filenum = 10 Fragment = 2
Bid = gava_0949949686 Kbytes = 10256 Filenum = 11 Fragment = 1
Bid = plim_0949949687 Kbytes = 5440 Filenum = 11 Fragment = 1
Bid = plim_0949949687 Kbytes = 4816 Filenum = 12 Fragment = 2
Bid = gava_0949949902 Kbytes = 10256 Filenum = 13 Fragment = 1
Bid = plim_0949949901 Kbytes = 8832 Filenum = 13 Fragment = 1
Bid = plim_0949949901 Kbytes = 1424 Filenum = 14 Fragment = 2
Bid = plim_0950053561 Kbytes = 10256 Filenum = 15 Fragment = 1

Media id = 400032 Server = plim
Bid = toaster2_0950199621 Kbytes = 298180 Filenum = 1 Fragment = 1
Bid = toaster2_0950199901 Kbytes = 298180 Filenum = 3 Fragment = 1

bpverify -pb -hoursago 200
Media id = A00002 Server = plim
Media id = 400032 Server = plim
```

RETURN VALUES

An exit status of 0 means that the command ran successfully.

Any exit status other than 0 means that an error occurred.

If administrative logging is enabled, the exit status is logged in the administrative daily log under the directory *install_path*\NetBackup\logs\admin in the form:

```
bpverify: EXIT status = exit status
```

If an error occurred, a diagnostic precedes this message.

FILES

```
install_path\NetBackup\logs\admin\*
```

```
install_path\NetBackup\db\error\*
```

```
install_path\NetBackup\db\images\*
```

SEE ALSO

NetBackup System Administrator's Guide



cat_convert

NAME

cat_convert - NetBackup catalog format conversion utility.

SYNOPSIS

```
install_path\NetBackup\bin\cat_convert.exe -a2b [-o] [-s] [-v]  
    source_file or directory [target_file or directory]
```

```
install_path\NetBackup\bin\cat_convert.exe -dump [-short]  
    [-noheader] [-nopath] [-nodata] [-srec num] [-sep  
    char] source_file
```

DESCRIPTION

cat_convert converts NetBackup catalog .f files between version 3.4, 4.0v or 4.5 ASCII format and 4.5 binary format. cat_convert automatically detects the source catalog file format and converts it to the other format. NetBackup 6.0 does not support writing new ASCII catalog images (however, reading existing ASCII catalog images is still supported).

Starting with NetBackup 6.0, a new -dump option has been added to that enables users to view the contents of the binary catalog image .f (dot-f) files. Run cat_convert -? to see this new option. It will echo the contents of the .f file to stdout in a readable format. There are also some helper options that can be used to limit the output to only certain records in the file or a subset of the output columns.

You must have administrator privileges to execute this command.

OPTIONS

- a2b
Convert NetBackup 3.4, 4.0V, 4.5 ASCII format catalog .f file(s) to NetBackup 4.5 binary format .f file(s).
- dump
Enables users to view the contents of catalog image .f files.
- o
Overwrite original catalog file content with the new, converting format.
-o cannot be used with *target_file_directory*.
- s
Show statistic information to the console window.

- `-erec` An option that modifies the output from the `cat_convert -dump`. Stops displaying records at this record number.
Note: The record number is not necessarily the same as the file number in the first column of the output.
- `-nodata` An option that modifies the output from `cat_convert -dump`. An option that modifies the output from the `cat_convert -dump`. Eliminates the data column. The data column can result in lots of output that is of no interest in some situations.
- `-noheader` An option that modifies the output from `cat_convert -dump`. An option that modifies the output from the `cat_convert -dump`. Eliminates the column headers.
- `-nopath` An option that modifies the output from `cat_convert -dump`. An option that modifies the output from the `cat_convert -dump`. Eliminates the path column. The path column can result in lots of output that is of no interest in some situations.
- `-short` An option that modifies the output from `cat_convert -dump`. Limits the output to a subset of the usual columns.
- `-srec num` An option that modifies the output from `cat_convert -dump`. An option that modifies the output from the `cat_convert -dump`. Starts displaying records at this record number.
Note: The record number is not necessarily the same as the file number in the first column of the output.
- `-sep char` An option that modifies the output from `cat_convert -dump`. An option that modifies the output from the `cat_convert -dump`. Use this char to separate the columns instead of the white space default separation. For example, you can use this command to generate a comma-separated output.
- `-v` Show current progress information.

Specify either a single source file or an entire directory to convert:

- ◆ To specify a target file, the source must be a file.
- ◆ To specify a target directory, the source must be a directory.



If the source is a directory, you must use `-a2b`.

The new files created by the conversion are converted to the specified format and the original file names are used in the target directory.

If the target file or directory is not specified when converting source files, the new files created by the conversion process will have a suffix appended (`_bin.f` or `_ascii.f`).

If the `catalog .f` file size is more than 4 megabytes, the binary catalog leaves output files separate and puts them in the `catstore` directory.

EXAMPLES

Example 1

Consider the following command:

```
cat_convert -a2b abc.f
```

If `abc.f` is in ASCII format, the *target_file_path* will be `abc_bin.f`.

Example 2

Consider the following command:

```
cat_convert -a2b abc.f C:\usr\tmp\abc1.f
```

`abc.f` will be converted to binary and copied to `C:\usr\tmp\abc1.f`.

Example 3

Consider the following command:

```
cat_convert -a2b C:\home\john\catalog
```

Every ASCII `.f` file in `/home/john/catalog` will be converted to the NetBackup 4.5 binary format with new file name `*_bin.f`.

Example 4

Consider the following command:

```
cat_convert -a2b abc.f
```

The contents of `abc.f` will be converted to binary.

Example 5

Consider the following command:



```
cat_convert -dump -short abc.f
```

The contents of `abc.f` will be displayed to `stdout` in a user-readable format.



create_nbdb

NAME

create_nbdb – Used to create the NBDB database manually.

SYNOPSIS

```
install_path\NetBackup\bin\create_nbdb -db_server server_name
[-drop] [-sz small | medium | large] [-dba
new_password] [-data data_directory] [-index
index_directory] [-tlog log_directory] [-mlog
log_mirror_directory]
```

DESCRIPTION

This command is used to create the NetBackup database (NBDB) manually. This command can be used to drop the existing NBDB database, and to recreate it using non-default parameters that were used during installation. A user can change the default location of the data, index, and transaction log files; change the size of the pre-allocated database files; and add an additional mirrored transaction log for increased database protection.

OPTIONS

The create_nbdb command, without any options, verifies the version of an existing database and is used during upgrades. If a database does not exist, it creates it using default parameters.

-db_server *server_name*

This option is the name of the ASA server that is located in the server.conf file.

-drop

This option is used to drop the existing NBDB database.

-sz *small* | *medium* | *large*

This option changes the size of the pre-allocated database files. The default size used during installation is *small*.

-data *data_directory*

Used to identify the directory of the main database files.

-dba *new_password*

Sets the password for the NBDB and BMRDB databases for all DBA and application accounts. The default password used during installation is nbusql. To only change the password for an existing database, use nbdb_admin -dba *new_password*.

- index *index_directory*
Used to identify the directory of the index database files.
- mlog *log_mirror_directory*
Used to create a mirrored log for increased database protection.
- tlog *log_directory*
Identifies the location of the transaction log.



duplicatetrace

NAME

duplicatetrace – Trace debug logs for duplicate job(s).

SYNOPSIS

```
install_path\NetBackup\bin\admincmd\duplicatetrace
    [-master_server name] -job_id number [-start_time
    hh:mm:ss] [-end_time hh:mm:ss] mmddy [mmddy ...]

install_path\NetBackup\bin\admincmd\duplicatetrace
    [-master_server name] -backup_id id [-start_time
    hh:mm:ss] [-end_time hh:mm:ss] mmddy [mmddy ...]

install_path\NetBackup\bin\admincmd\duplicatetrace
    [-master_server name] [-policy_name name]
    [-client_name name] [-start_time hh:mm:ss] [-end_time
    hh:mm:ss] mmddy [mmddy ...]
```

DESCRIPTION

duplicatetrace consolidates the debug logs for the specified duplicate job[s] and writes them to standard output. The messages will be sorted by time. *duplicatetrace* will attempt to compensate for time zone changes and clock drift between remote servers and clients.

At a minimum, you must enable debug logging for *install_path*\NetBackup\admin directory on the master server and for bptm/bpdm on the media server. For best results, set the verbose logging level to 5 and enable debug logging for bpdbm on the master server and bpcd on all servers and clients in addition to the processes already identified.

If either -job_id or -backup_id is specified, *duplicatetrace* uses this option as the sole criteria for selecting the duplicate job[s] it will trace. The options -policy_name or -client_name cannot be used in conjunction with -job_id or -backup_id. If -job_id or -backup_id are not specified then all duplicate jobs that match the specified selection criteria will be selected. If none of the options namely, -job_id, -backup_id, -policy_name or -client_name is specified, then all the duplicate jobs executed on the days specified by day stamps (*mmddy*) will be traced. If -start_time/-end_time options are used then the debug logs in the specified time interval are examined.

If *duplicatetrace* is started with the -backup_id *bid* option then *duplicatetrace* will look for duplicate jobs started via bpduplicate with -backup_id *bid* option where the backup IDs (*bid*) match.

If *duplicatetrace* is started with the -policy_name <policy> option then *duplicatetrace* will look for duplicate jobs started via bpduplicate with -policy <policy> option where the policy names (<policy>) match.

If `duplicatetrace` is started with the `-client_name <client>` option then `duplicatetrace` will look for duplicate jobs started via `bpduplicate` with `-client <client>` option where the client names (`<client>`) match.

`duplicatetrace` writes error messages to standard error.

You must have administrative privileges to execute this command.

OPTIONS

- `-master_server`
Name of the master server. Default is the local host name.
- `-job_id`
Job ID number of the duplicate job to analyze. Default is any job ID.
- `-backup_id`
Backup ID number of the backup image duplicated by the duplicate job to analyze. Default is any backup ID.
- `-policy_name`
Policy name of the duplicate jobs to analyze. Default is any policy.
- `-client_name`
Client name of the duplicate jobs to analyze. Default is any client.
- `-start_time`
Earliest time stamp to start analyzing the logs. Default is 00:00:00.
- `-end_time`
Latest time stamp to finish analyzing the logs. Default is 23:59:59.
- `mmddy`
One or more “day stamps”. This identifies the log file names (log.mmddy for UNIX, mmddy.log for Windows) that will be analyzed.

OUTPUT FORMAT

The format of an output line is:

```
<daystamp>.<millisecs>.<program>.<sequence> <machine> <log_line>
```

- `daystamp`
The day of the log in `yyyymmdd` format.
- `millisecs`
The number of milliseconds since midnight on the local machine.
- `program`
The name of program (ADMIN, BPTM, BPCD, etc.) being logged.



sequence	Line number within the debug log file.
machine	The name of the NetBackup server or client.
log_line	The line that actually appears in the debug log file.

EXAMPLES

Example 1

The following example analyzes the log of duplicate job with job ID 3 executed on August 6, 2004.

```
duplicatetrace -job_id 3 080604
```

Example 2

The following example analyzes the log of duplicate jobs that duplicate backup image with backup ID `pride_1028666945` executed on August 20, 2004. This command would analyze only those duplicate jobs, which were executed with option `-backupid pride_1028666945`.

```
duplicatetrace -backup_id pride_1028666945 082004
```

Example 3

The following example analyzes the log of duplicate jobs executed on policy *Pride-Standard* and client *pride* on August 16, 2004 and August 23, 2004. This command would analyze only those duplicate jobs, which were executed with options `-policy Pride-Standard` and `-client pride`.

```
duplicatetrace -policy_name Pride-Standard -client_name pride
081604 082304
```

Example 4

The following example analyzes the log of all duplicate jobs that are executed on August 5, 2004 and August 23, 2004.

```
duplicatetrace 080504 082304
```


importtrace

NAME

importtrace - Trace debug logs for import job(s).

SYNOPSIS

```
install_path\NetBackup\bin\admincmd\importtrace [-master_server
name] -job_id number [-start_time hh:mm:ss] [-end_time
hh:mm:ss] mmddy [mmddy]
```

```
install_path\NetBackup\bin\admincmd\importtrace [-master_server
name] -backup_id id [-start_time hh:mm:ss] [-end_time
hh:mm:ss] mmddy [mmddy]
```

```
install_path\NetBackup\bin\admincmd\importtrace [-master_server
name] [-policy_name name] [-client_name name]
[-start_time hh:mm:ss] [-end_time hh:mm:ss] mmddy
[mmddy]
```

DESCRIPTION

importtrace consolidates the debug log messages for the specified import job[s] and writes them to standard output. The messages will be sorted by time. *importtrace* will attempt to compensate for time zone changes and clock drift between remote servers and clients.

At a minimum, you must enable debug logging for *install_path*\NetBackup\admin directory on the master server, and for bpbrm, bptm and tar on the media server. For best results, set the verbose logging level to 5 and enable debug logging for bpdbm on the master server and bpcd on all servers and clients in addition to the processes already identified.

If either -job_id or -backup_id is specified, *importtrace* uses this option as the sole criteria for selecting the import job[s] to trace. The options -policy_name or -client_name cannot be used in conjunction with -job_id or -backup_id. If -job_id or -backup_id are not specified then all import jobs that match the specified selection criteria will be selected. If none of the options namely, -job_id, -backup_id, -policy_name or -client_name is specified, then all the import jobs executed on the days specified by day stamps (*mmddy*) will be traced. If -start_time/-end_time options are used then the debug logs in the specified time interval are examined.

If importtrace is started with the -backup_id *id* option then importtrace will look for import jobs started via bpimport with -backup_id *id* option where the backup ids (*id*) match.

If importtrace is started with the -policy_name <policy> option then importtrace will look for import jobs started via bpimport with -policy <policy> option where the policy names (<policy>) match.



If `importtrace` is started with the `-client_name <client>` option then `importtrace` will look for import jobs started via `bpimport` with `-client <client>` option where the client names (`<client>`) match.

importtrace writes error messages to standard error.

You must have administrative privileges to execute this command.

OPTIONS

- `-master_server`
Name of the master server. Default is the local host name.
- `-job_id`
Job ID number of the import job to analyze. Default is any job ID.
- `-backup_id`
Backup ID number of the backup image imported by the import job to analyze. Default is any backup ID.
- `-policy_name`
Policy name of the import jobs to analyze. Default is any policy.
- `-client_name`
Client name of the import jobs to analyze. Default is any client.
- `-start_time`
Earliest time stamp to start analyzing the logs. Default is 00:00:00.
- `-end_time`
Latest time stamp to finish analyzing the logs. Default is 23:59:59.
- `mmddy`
One or more day stamps. This identifies the log file names (log.mmddy for UNIX, mmddy.log for Windows) that will be analyzed.

OUTPUT FORMAT

The format of an output line is:

`<daystamp>.<millisecs>.<program>.<sequence> <machine> <log_line>`

- `daystamp`
The day of the log in `yyyymmdd` format.
- `millisecs`
The number of milliseconds since midnight on the local machine.
- `program`
The name of program (ADMIN, BPBRM, BPCD, etc.) being logged.
- `sequence`
Line number within the debug log file.

`machine` The name of the NetBackup server or client.

`log_line` The line that actually appears in the debug log file.

EXAMPLES

Example 1

The following example analyzes the log of import job with job ID 4 executed on August 6, 2002.

```
importtrace -job_id 4 080602
```

Example 2

The following example analyzes the log of import jobs that import backup image with backup id *pride_1028666945* executed on August 20, 2002. This command would analyze only those import jobs, which were executed with option `-backupid` *pride_1028666945*.

```
importtrace -backup_id pride_1028666945 082002
```

Example 3

The following example analyzes the log of import jobs executed on policy *Pride-Standard* and client *pride* on August 16, 2002 and August 23, 2002. This command would analyze only those import jobs, which were executed with options `-policy` *Pride-Standard* and `-client` *pride*.

```
importtrace -policy_name Pride-Standard -client_name pride 081602  
082302
```

Example 4

The following example analyzes the log of all import jobs that are executed on August 5, 2002 and August 17, 2002.

```
importtrace 080502 081702
```



nbdb_admin

NAME

nbdb_admin – Used to start or stop individual databases, as well as change the default password.

SYNOPSIS

```
install_path\NetBackup\bin\nbdb_admin -dba new_password |  
[-start|stop [database_name]] | [-vxdbms_nb_data  
directory] | [-vxdbms_nbdb_backup_owner y|n]  
[-auto_start NONE | NBDB | BMRDB] [-list]
```

DESCRIPTION

The `nbdb_admin` command can be used to start or stop the NetBackup database or the BMR database.

The `nbdb_admin` command line utility is required to enable the customer to change the DBA and application passwords. The DBA and application passwords are encrypted and stored in the `vxdbms.conf` file. Secure SSL is used for encryption, and keys are handled in a consistent manner with the rest of NetBackup. The passwords are encrypted with AES-128-CFB using the NetBackup private key. The permissions on the file will only enable it to be read or written by the root user on UNIX or a Windows Administrator.

During installation, the default password of `nbusql` is used for the NBDB and BMRDB databases for all DBA and application accounts. Note, the same password is used for the NBDB and BMRDB DBA and application accounts, for example, `EMM_MAIN`.

OPTIONS

`-auto_start NONE | NBDB | BMRDB`

Sets which databases are automatically started when the database server is started. Either the NetBackup database (NBDB), or the BMR database (BMRDB) can be specified. The database daemon must be stopped and restarted to take effect. Or the user can elect to not start either database by using NONE.

`-dba new_password`

Enables you to change the default password, `nbusql`, for the NBDB and BMRDB databases for all DBA and application accounts.

`-list`

Lists all database files.

- start|stop *database_name*
Starts or stops the NBDB database identified in the *database_name* field. Using the *database_name* field is optional and is where the user specifies the NBDB or the BMRDB databases. The NBDB database is the default for this command.
- vxdbms_nb_data *directory*
This command updates the VXDBMS_NB_DATA parameter that is stored in the registry. This parameter contains the main location of the NBDB and BMRDB databases.
- vxdbms_nbdb_backup_owner *y|n*
This command updates the VXDMS_NBDB_BACKUP_OWNER parameter in the registry. This command specifies if the master server owns the backup of the databases that are included in the catalog backup. The default for this parameter is, yes.



nbdb_backup

NAME

nbdb_backup – A command line program used to make a backup of the databases in a directory.

SYNOPSIS

```
install_path\NetBackup\bin\nbdb_backup [-dbn database_name]  
[-offline | -online] destination_directory
```

DESCRIPTION

The `nbdb_backup` command enables the customer to make either an online or offline backup of the ASA database files to a file system directory. A user would use this command if they are doing some sort of maintenance operation and need to make a copy of a database.

OPTIONS

`-dbn database_name`

Sets the database, identified in *database_name*, to be backed up. The possible databases are NBDB and BMRDB. The default is to backup both databases if installed on the server.

`-offline | -online`

Enables either an offline or online backup of the ASA database files. Online means the database is up and running during the backup. Offline shuts down the database.

`destination_directory`

Used to identify the directory where the backup will be stored.

nbdb_move

NAME

nbdb_move – Enables you to move the location of the NBDB database files after installation.

SYNOPSIS

```
install_path\NetBackup\bin\nbdb_move -data data_directory [-index  
index_directory] [-tlog log_directory] [-mlog  
log_directory] [-config_only]
```

DESCRIPTION

The `nbdb_move` command can be used to move the database files from the default directory locations to customer-specified directories to separate data from indexes and transaction logs to improve performance. Users can also use this command to move database files (data files and transaction files) to the default location. On Windows systems, the default location is `install_path\NetBackupDB\data`.

`nbdb_move` will move the database files for both the NBDB and BMRDB database, if present.

OPTIONS

- config_only
This command only updates the configuration files with the directory locations specified. The database files will not be moved. A user can use this command in a recovery situation, when the database files have already been relocated manually, and they need to save their configuration settings.
- data *data_directory*
Used to move the main database files to customer-specified directories designated by *data_directory*.
- index *index_directory*
Used to change the directory of the index database files.
- mlog *log_directory*
This option can create a mirrored transaction log and put it in a designated directory location. If a mirrored log already exists, this command can be used to move it to a different location.
- tlog *log_directory*
Used to change the transaction log directory.



nbdb_ping

NAME

nbdb_ping – Displays the status of the NetBackup database (NBDB) or BMR database (BMRDB).

SYNOPSIS

```
install_path\NetBackup\bin\nbdb_ping [-dbn BMRDB ]
```

DESCRIPTION

The `nbdb_ping` command is used to check and display the status of the NetBackup database (NBDB) or the BMR database (BMRDB). Entering the command with no options displays the status of NBDB.

OPTIONS

-dbn *BMRDB*

Displays the status of the BMRDB database.

nbdb_restore

NAME

`nbdb_restore` – Used to recover a database that has been backed up to a directory using `nbdb_backup`.

SYNOPSIS

```
install_path\NetBackup\bin\nbdb_restore -recover source_directory
```

DESCRIPTION

The `nbdb_restore` command does a restore and recovery from a backup to a directory using `nbdb_backup`. The recommended method for protection of the Sybase ASA NBDB and BMRDB databases is through the Catalog Backup interfaces.

OPTIONS

```
-recover source_directory  
    The location of the backup.
```



nbdb_unload

NAME

nbdb_unload - unload the NetBackup databases (NBDB) or BMR (BMRDB)

SYNOPSIS

```
install_path\NetBackup\bin\nbdb_unload [-dbn database_name] [-t  
tablelist] [-s] destination directory
```

DESCRIPTION

The nbdb_unload command unloads the specified database. By default the NBDB database is unloaded. The other value for -dbn includes, BMRDB for the Bare Metal Restore database.

Note The Enterprise Media Manager (EMM) Database is considered a component of the NBDB database. In the future other components will be added to the NBDB, for example, IRM, POLICY, etc.

This command creates .dat files, one for each table in the database or table list. Each .dat file contains comma separated lines, one for each row in the table. There is also a reload.sql file generated. This file contains the SQL statements required to reload the database, for example,

```
LOAD TABLE "BmrDbA.BMR_Configuration" FROM c:\temp\data\345.dat.
```

The contents of the destination directory can be transferred to a support machine and used to create a copy of the customer's database by running the reload.sql file.

OPTIONS

- dbn *database_name*
Specifies the database that is to be unloaded.
- s
Unloads the schema only - no data is unloaded.
- t *tablelist*
Specifies a comma separated list of tables to unload instead of all the tables in the database.
- destination directory*
The directory where a user wants the dump of the data and schema to go.

EXAMPLES

1. To unload the NBDB database (including all of EMM), data and schema:

```
nbdb_unload c:\temp\nbdb_dump
```

2. To unload just the NBDB schema:

```
nbdb_unload -s c:\temp\nbdb_dump
```

3. To unload just the EMM_StorageUnit table (using fully qualified table names):

```
nbdb_unload -t EMM_MAIN.EMM_StorageUnit c:\temp\emm_stu
```

4. To unload the BMR database:

```
nbdb_unload -dbn BMRDB c:\temp\bmr_dump
```

.



nbemm

NAME

nbemm – NetBackup Enterprise Media Manager Daemon is used to manage volumes, volume pools, barcode rules, and devices.

SYNOPSIS

```
install_path\NetBackup\bin\nbemm [-console] [-terminate]
```

DESCRIPTION

The Enterprise Media Manager service manages volumes, volume pools, barcode rules and devices. This daemon performs media, drive, drive path, and storage unit selection. In addition, nbemm acts as the device allocator (DA) SSO environments. In this case, nbemm is known as nbemm/DA. For more information about nbemm/DA, refer to the NetBackup Media Manager System Administrator's Guide for Windows.

Note: The nbemm service must be active to change the volume configuration, device configuration, storage unit configuration, and for any tape mount activity.

To start nbemm, enter: *install_path*\NetBackup\bin\nbemm.

To stop nbemm, enter: *install_path*\NetBackup\bin\nbemm -terminate.

OPTIONS

-console

This option enables you to start NetBackup in console mode.

-terminate

This option enables you to stop the nbemm binary.

SEE ALSO

nbemmcmd

nbemmcmd

NAME

nbemmcmd – enables users to update and view information in the EMM database tables.

SYNOPSIS

```
install_path\NetBackup\bin\admincmd\nbemmcmd [-addhost]
[-changesetting] [-deletehost] [-getemmserver] [-help]
[-listhosts] [-listmedia] [-listsettings]
[-machinealias] [-renamehost] [-servercontrol]
[-updatehost]
```

The usage statements for each of the subcommands are listed below:

```
install_path\NetBackup\bin\admincmd\nbemmcmd -addhost
[-activenodename string] [-clustertype string]
[-displayname string] [-machinedescription string]
-machinename string -machinetype api | cluster |
master | media | ndmp [-masterserver string]
[-netbackupversion level.major levelminor level]
[-operatingsystem hpux | linux | netware | rs6000 |
solaris | tru64 | windows] [-scanability unsigned
integer]
```

```
install_path\NetBackup\bin\admincmd\nbemmcmd -changesetting
[-allow_multiple_retentions_per_media 0 | 1 | no | yes]
[-disable_automatic_host_name_add 0 | 1 | no | yes]
[-disable_standalone_drive_extensions 0 | 1 | no |
yes] [-disallow_nonndmp_on_ndmp_drive 0 | 1 | no |
yes] [-do_not_eject_standalone 0 | 1 | no | yes]
[-drive_error_threshold unsigned integer]
-machinename string [-max_realloc_tries unsigned
integer] [-media_error_threshold unsigned integer]
[-media_request_delay unsigned integer]
[-must_use_local_drive 0 | 1 | no | yes]
[-non_robotic_media_id_prefix string]
[-return_unassigned_media_to_scratch_pool no | yes]
[-scratch_pool string] [-sso_scan_ability unsigned
integer] [-time_window unsigned integer]
[-vault_clear_media_desc no | yes]
```

```
install_path\NetBackup\bin\admincmd\nbemmcmd -deletehost
-machinename string -machinetype api | cluster |
master | media | ndmp-mediaid string
```



```
install_path \NetBackup\bin\admincmd\nbemmcmd -deletemedia -mediaid string -originhost string

install_path \NetBackup\bin\admincmd\nbemmcmd -deletemerge -assignedhost string -mediaid string

install_path \NetBackup\bin\admincmd\nbemmcmd -forcemerge -assignedhost string -mediaid string

install_path \NetBackup\bin\admincmd\nbemmcmd -getemmsserver [-masterserver string] [-timeout unsigned integer]

install_path \NetBackup\bin\admincmd\nbemmcmd -setemmsserver -emmsservername string [-masterserver string] -newemmsservername string [-timeout unsigned integer]

install_path \NetBackup\bin\admincmd\nbemmcmd -listhosts [-machinename string] [-masterserver string] [-nbservers] [-netbackupversion level.major levelminor level] [-verbose]

install_path \NetBackup\bin\admincmd\nbemmcmd -listmedia [-allrecords] [-conflicts] [-mediaid string] [-mediatype unsigned integer] [-mergetable] [-poolname string] [-robotnumber unsigned integer] [-vaultcontainer string]

install_path \NetBackup\bin\admincmd\nbemmcmd -listsettings -machinename string

install_path \NetBackup\bin\admincmd\nbemmcmd -machinealias machinealias [-addalias] [-alias string] [-deletealias] [-deleteallaliases] [-getaliases] [-machinename string] -machinetype master | media | ndmp

install_path \NetBackup\bin\admincmd\nbemmcmd -renamehost -machinename string -newmachinename string

install_path \NetBackup\bin\admincmd\nbemmcmd -servercontrol [-resume] [-suspend]

install_path \NetBackup\bin\admincmd\nbemmcmd nbemmcmd -updatehost [-activenodename string] [-clustername string] [-displayname string] [-machinedescription string] -machinename string [-machinestate unsigned integer] [-machinetype master | media | ndmp | api | cluster] [-masterserver string] [-netbackupversion level.major levelminor level] [-operatingsystem hpux | linux | netware | rs6000 | solaris | tru64 | windows]
```

DESCRIPTION

The `nbemmcmd` command enables users to update a limited set of EMM database information. In addition, this command enables you to manage host entries, configuration options, and other miscellaneous items in the EMM database.

OPTIONS

The following commands contain a variety of options that enable you to manage the EMM database. The options names are purposely long to provide the user with a better understanding of the command options are to be used to do. Because of the option lengths, you can type smallest number of characters as a subset of characters that make it a unique option. For example, if you wanted to use the `-renamehost` command, you could type the letters, `-r`, and that command would be used, because there is no other command option like it that starts with the letter `r`.

`-addhost`

This option adds the specified host to the EMM database. The following entries can be adjusted using this command option:

`-activenodename string`

The variable, *string*, identifies the active node in a cluster.

`-clustername string`

The variable *string* identifies a cluster to which this machines belongs.

`-displayname string`

Displays the assigned name of a machine that is equivalent to the numbered identifier for that machine.

`-machinedescription string`

Users can use this option as a descriptive field to describe their machine or system.

`-machinename string`

Displays the numbered identifier for a machine.

`-Machinetype api | cluster | master | media | ndmp`

This option enables you to define what the machine will be used as.

`-masterserver string`

Defines the host master server in a particular domain.



`-netbackupversion level.major levelminor level`

Enables you to add a host and specify the version it is running. The *level* variable as a range of 0-99. The *major level* and *minor level* variables are single digit fields that are optional. There should be no spaces between the *major level* and *minor level* variables.

`-operatingsystem hpux | linux | netware | rs6000 | sgi
| solaris | tru64 | windows`

Adds a host with a designated operating system.

`-scanability unsigned integer`

This option works the same as the `-nbemmcmd -changesetting -sso_scan_ability` command. The following describes this option.

`SSO_SCAN_ABILITY = scan_factor`

This configuration entry applies only to NetBackup Enterprise Server.

This `vm.conf` entry is used only with the shared storage option (SSO) feature and is read and interpreted on the host where `ltid` is running.

A scan ability factor can range from zero to 9, with a default value of 5.

This factor allows the assignment of scan hosts to be prioritized, if a drive's scan host changes. Scan hosts that have a higher scan ability factor are chosen first.

In some SSO configurations, you may have servers that are undesirable for use as the scan host for a drive. This may be because they have limited resources, are behind firewalls, or are being administered by people other than NetBackup administrators. These servers can be configured to never become the scan host for any drive. A `scan_factor` of zero means that a server will not become the scan host.

Caution A drive is unavailable for use until a scan host can be assigned for it. If all hosts that register for a particular drive use `scan_factor = 0`, the drive will enter an unusable state until a host with a `scan_factor` of non-zero registers for the drive. If all hosts with a `scan_factor` of non-zero have the drive DOWN, then again the drive becomes unavailable due to the lack of a scan host.

The decision to use a `scan_factor` of zero for a server, reduces the level of resiliency in your SSO configuration. Careful attention to those servers that can be a scan host is required, as the loss of a scan host for a drive makes it unavailable to any server.

`-changesetting`

This option changes the configuration setting for a specified host. You can also use this option to add settings if it did not previously exist. The following options can be changed by using the `-changesetting` command along with each of these options.

The descriptions for each of these options brief summaries. These settings are describe in detail in the *VERITAS NetBackup Media Manager System Administrator's Guides*.

`-allow_multiple_retentions_per_media 0|1|no|yes`

The `ALLOW_MULTIPLE_RETENTIONS_PER_MEDIA` option allows NetBackup to mix retention levels on media. Default: This option is not present and each volume can contain backups of only a single retention level.

Use this option by adding it to the `/usr/opensv/netbackup/bp.conf` file on NetBackup servers or check the Allow Multiple Retentions per Media setting in the Media dialog under server host properties.

`-disable_automatic_host_name_add 0|1|no|yes`

Enables EMM to automatically add a host name if the host name appears to be valid. An example of an invalid host name would be a name that duplicates another host.

`-disable_standalone_drive_extensions 0|1|no|yes`

Disables the nonrobotic drive operations. This means that during a backup, NetBackup does not automatically attempt to use whatever labeled or unlabeled media it finds in a nonrobotic drive. Default: Standalone drive extensions are enabled.

`-disallow_nonndmp_on_ndmp_drive 0|1|no|yes`

This is read by the MDS logic on the EMM server.

NetBackup attempts to use an available drive based on the type of request as follows:

- For a non-NDMP request of any kind, NetBackup always tries to find an available non-NDMP drive. If a non-NDMP drive is not available, and a NDMP drive is available, the operation will be done using the slower NDMP drive. non-NDMP requests include all type of requests apart from storage unit related requests (backups and write side of duplicates) and NDMP image restores.



`-do_not_eject_standalone 0|1|no|yes`

If this entry is specified on a given host, tapes in standalone drives will not be ejected when a backup has completed on that host (tapes will be ejected if end of media is reached during a backup). This entry is read and interpreted on the host where the standalone drives are defined.

This entry can be used in a NetBackup environment where it is desirable to keep a standalone drive ready after successful backups are performed.

`-drive_error_threshold unsigned integer`

Enables you to change the threshold or number of drive errors that can occur before the media is frozen. The default value for this threshold is 2.

`-max_realloc_tries unsigned integer`

Enables you to set the maximum number of times some failed mount requests are allowed to be retried (with a different drive and/or media).

`-machinename string`

Displays the numbered identifier for a machine.

`-media_error_threshold unsigned integer`

Enables you to change the threshold or number of media errors that can occur before the media is frozen. The default value for this threshold is 2.

`-media_request_delay unsigned integer`

Applies only to nonrobotic drives and specifies the number of seconds that NetBackup waits for a drive to become ready. Default: 0 seconds.

For example, assume the delay is 150 seconds:

`MEDIA_REQUEST_DELAY = 150`

Use this option by adding it to the `/usr/opensv/netbackup/bp.conf` file on NetBackup servers or enter a value for Media Request Delay in the Media host properties.

`-must_use_local_drive 0|1|no|yes`

If the client is also a master server and this entry is present, backups for this client must occur on a local drive. If the client is not a master server, this entry has no effect.

Use this option by adding it to the `/usr/opensv/netbackup/bp.conf` file on NetBackup master servers or check the Must Use Local Drive setting in the General Server host properties dialog.

`-non_robotic_media_id_prefix string`

The MEDIA_ID_PREFIX can now be set using nbemmcmd.

C:\Program

```
Files\VERITAS\NetBackup\bin\admincmd\nbemmcmd-change
setting -machine hamex -non_robotic_media_id_prefix ABC
NBEMMCMD, Version:X.X(yyyymmdd) Command completed
successfully.
```

`-return_unassigned_media_to_scratch_pool no|yes`

RETURN_UNASSIGNED_MEDIA_TO_SCRATCH_POOL = YES|NO

This is an EMM global option that applies to every host that is using the EMM server. It is not a host option.

If RETURN_UNASSIGNED_MEDIA_TO_SCRATCH_POOL = YES is specified, Media Manager returns expired and unassigned media (media that was originally from the same scratch pool) to the scratch volume pool automatically.

If RETURN_UNASSIGNED_MEDIA_TO_SCRATCH_POOL = NO is specified, the automatic behavior of returning media to the scratch pool is disabled and must be done using one of the Media Manager administration interfaces.

`-sso_scan_ability unsigned integer`

SSO_SCAN_ABILITY = scan_factor

This configuration entry applies only to NetBackup Enterprise Server.

This vm.conf entry is used only with the shared storage option (SSO) feature and is read and interpreted on the host where ltid is running.

A scan ability factor can range from zero to 9, with a default value of 5. This factor allows the assignment of scan hosts to be prioritized, if a drive's scan host changes. Scan hosts that have a higher scan ability factor are chosen first.

In some SSO configurations, you may have servers that are undesirable for use as the scan host for a drive. This may be because they have limited resources, are behind firewalls, or are being administered by people other than NetBackup administrators. These servers can be configured to never become the scan host for any drive. A scan_factor of zero means that a server will not become the scan host.



Caution A drive is unavailable for use until a scan host can be assigned for it. If all hosts that register for a particular drive use `scan_factor = 0`, the drive will enter an unusable state until a host with a `scan_factor` of non-zero registers for the drive. If all hosts with a `scan_factor` of non-zero have the drive DOWN, then again the drive becomes unavailable due to the lack of a scan host.

The decision to use a `scan_factor` of zero for a server, reduces the level of resiliency in your SSO configuration. Careful attention to those servers that can be a scan host is required, as the loss of a scan host for a drive makes it unavailable to any server.

`-time_window unsigned integer`

Enables you to set value that is equal to the amount of time in which errors can be tracked. You can use this value in conjunction with an error threshold (for example, `media_error_threshold`) to monitor the number of media errors that occur within the time window. The default setting is 12 hours.

`-vault_clear_media_desc no | yes`

This is an EMM global option that applies to every host that is using the EMM server. It is not a host option.

When NetBackup media is returned from the off-site vault during a typical tape rotation, it is expired and is ready for reuse by new backups. To avoid confusion, it may be helpful to clear the old media description information when an expired tape is returned to the robot.

If this entry is specified, the media description field will be cleared when other Vault information is cleared from the Media Manager volume database.

`-deletehost`

`-machinename string`

This option removes the specified host from the EMM database.

`-Machinetype api | cluster | master | media | ndmp`

This option enables you to define what the machine is used as.

`-deletemedia`

Delete an EMM media record with the specified media id and origin host.

`-mediaid string`

This is the media ID of the EMM media record.

`-originhost string`

This is the origin host name in the EMM media record. It indicates from which Volume Database host this EMM media record originated.

`-deletemerge`

Delete a record from the mediaDB merge table with the specified media ID and assigned host.

When using optical media, `deletemerge` must be run twice, once for each side of the platter.

This `nbemmcmd` option only exists for the life of the NetBackup 6.0 release. All mediaDB merge table issues must be resolved before the next release of NetBackup is installed. At that time, this `nbemmcmd` option is removed from NetBackup and the contents of the mediaDB merge table is deleted.

`-assignedhost string`

This is the host name in the mediaDB merge table record. It indicates which media server has this media assigned.

`-mediaid string`

This is the media id of the record to delete from the mediaDB merge table.

`-forcemerge`

Move the contents of a specified record in the mediaDB merge table (media id and assigned host) to the specified EMM media record (media id and origin host). First, a new record is created in the media DB merge table and then the existing media DB fields in the EMM media record are moved there.

When using optical media, `forcemerge` must be run twice, once for each side of the platter.

This `nbemmcmd` option will only exist for the life of the NetBackup 6.0 release. All mediaDB merge table issues must be resolved before the next release of NetBackup is installed. At that time, this `nbemmcmd` option will be removed from NetBackup and the contents of the mediaDB merge table will be deleted.

`-assignedhost string`



This is the host name in the mediaDB merge table record. It indicates which media server has this media assigned.

`-mediaid string`

This is the media id of the record in the mediaDB merge table to match to an EMM media record.

`-originhost string`

This is the origin host name in the EMM media record. It indicates from which Volume Database host this EMM media record originated.

`-getemmserver`

This command displays the information on all the hosts in a particular EMM domain. You can use this command to insure a level of consistency in a newly installed or modified domain. The following parameters are available with this command:

`-masterserver string`

This parameter specifies a name of a master server for an EMM domain. If you omit this parameter when using this command, the current machine will be assumed.

`-timeout unsigned integer`

This parameter specifies a temporary timeout value, in seconds, to be used during the duration of this command.

`-setemmserver`

This command can be used to change the EMM server name for certain hosts in the domain. For each host in the domain whose EMM server name matches will have it's EMM server name changed. This command has the following parameters:

`-emmservername string`

This parameter specifies the EMM server name to be changed.

`-newemmservername string`

This parameter specifies the new, or replacement, value for the EMM server.

`-masterserver string`

This parameter specifies a name of a master server for an EMM domain. If you omit this parameter when using this command, the current machine will be assumed.

`-timeout unsigned integer`

This parameter specifies a temporary timeout value, in seconds, to be used during the duration of this command.

`-help`

Provides usage information and detailed help for the `nbemmcmd` command. This can be obtained by typing

`nbemmcmd -help command`

The *command* variable in this example represents the command you want help for.

`-listhosts`

This command and its options enables you to dump the table structure for each known host.

`-machinename string`

Displays the numbered identifier for a machine.

`-masterserver string`

Defines the host, master server in the domain.

`-nbservers`

Displays only the media and master servers. (The default for `-listhosts` is to display all servers.)

`-netbackupversion level.major level minor level`

Enables you to add a host and specify the version it is running. The *level* variable as a range of 0-99. The *major level* and *minor level* variables are single digit fields that are optional. There should be no spaces between the *major level* and *minor level* variables.

`-verbose`

This option controls the amount of information NetBackup includes in its logs. If this entry is specified, all Media Manager components on the host are started with verbose logging enabled. This option will then provide detailed information from the EMM database.



Use this option only if problems occur or if requested by VERITAS support. After the problem is resolved, remove any debug logs that were created or add a `DAYS_TO_KEEP_LOGS` entry.

`-listmedia`

`-allrecords`

Display all media records.

`-conflicts`

Display all media records whose conflicts field has been set.

`-mediaid string`

This is the media ID of the EMM media record

`-mediatype unsigned integer`

Query volumes by media type.

Valid media types for NetBackup Enterprise Server follow:

4mm, 8mm, 8mm2, 8mm3, dlt, dlt2, dlt3, dtf, hcart, hcart2, hcart3, odiskwm, odiskwo, qcart, 4mm_clean, 8mm_clean, 8mm2_clean, 8mm3_clean, dlt_clean, dlt2_clean, dlt3_clean, dtf_clean, hcart_clean, hcart2_clean, hcart3_clean.

Valid media types for NetBackup Server follow:

4mm, 8mm, dlt, hcart, qcart, 4mm_clean, 8mm_clean, dlt_clean, hcart_clean.

`-mergetable`

Display all records in the mediaDB merge table. These are mediaDB records that could not be matched to an EMM media record.

This `nbemmcmd` option will only exist for the life of the NetBackup 6.0 release. All mediaDB merge table issues must be resolved before the next release of NetBackup is installed. At that time, this `nbemmcmd` option is removed from NetBackup and the contents of the mediaDB merge table is deleted.

`-poolname string`

Query volumes by pool number. Pool number is an index into the volume pool. You can use `vmppool -listall` to determine the index for a given pool name.

-robotnumber *unsigned integer*

Query volumes by robot number. A robot number is a unique, logical identification number for the robot where the volume is located.

-vaultcontainer *string*

List the volumes that are stored in the container. The *string* variable is the *vault_container_id* can be a string of up to 29 alphanumeric characters.

-listsettings

-machinename *string*

Displays the numbered identifier for a machine.

-machinealias

The following “subcommands” are used to maintain the alias list for a particular machine. These subcommands enable you to view current aliases, add new aliases, and delete current aliases for an identified machine.

-addalias

Use this option to add an alias name to a machine. The proper use of this command requires that you identify the machine name that will receive the alias and the machine type as well. For example, to create a media server with the alias name, blue, use the following command:

```
-machinealias -machinename 10.80.91.83 - Machinetype  
media -addalias -alias blue
```

-alias *string*

This option identifies the alias name of a machine.

-deletealias

Enables you to delete an alias name from the database. This operation requires that you identify the alias that you want to delete using the *-alias string* command and machine type with this option.

-deleteallaliases

Enables you to delete all aliases for a particular machine. To perform this operation you must identify the machine name and the machine type.

-getaliases



Enables you to retrieve all aliases for a particular machine. To perform this operation you must identify the machine name and the machine type.

`-machinename string`

Displays the numbered identifier for a machine.

`-Machinetype api | cluster | master | media | ndmp`

This option enables you to define what the machine will be used as.

`-renamehost`

This command, when used with `-machinename string` and `-newmachinename string`, enables you to rename the current numbered identifier with a new number identifier and store this name in the database.

`-machinename string`

Displays the numbered identifier for a machine.

`-newmachinename string`

Identifies the new numbered identifier for a machine.

`-servercontrol`

The purpose of this command to suspend and resume control of a specified server to enable you to perform database maintenance without worry of corrupting existing data because a job began to run during this time.

`-resume`

Enables you to resume control of a specified server.

`-Suspend`

Enables you to suspend control of a specified server.

`-updatehost -machinename string`

This command, when used with the following sub-commands, enables you to make changes to the record for a specified host.

`-activenodename string`

The variable, *string*, identifies the active node in a cluster.

`-clustername string`

The variable *string* identifies a cluster to which this machines belongs.

`-displayname string`

Displays the assigned name of a machine that is equivalent to the numbered identifier for that machine.

`-machinename string`

Displays the numbered identifier for a machine.

`-Machinetype api | cluster | master | media | ndmp`

This option enables you to define what the machine will be used as.

`-masterserver string`

Defines the host, master server in the domain.

`-netbackupversion level.major levelminor level`

Enables you to add a host and specify the version it is running. The *level* variable as a range of 0-99. The *major level* and *minor level* variables are single digit fields that are optional. There should be no spaces between the *major level* and *minor level* variables.

`-operatingsystem hpux | linux | netware | rs6000 | solaris | tru64 | windows`

Adds a host with a designated operating system.

EXAMPLES

Example 1

```
nbemmcmd -getemmserver
```

These hosts were found in this domain: throttle, upwords

Checking with host: throttle...

Checking with host: upwords...

Server Type	Host Version	Host Name	EMM Server
MEDIA	UNKNOWN RELEASE (0)	throttle	throttle
MASTER	6.0Alpha	upwords	upwords

One or more hosts had mismatched EMM Servers.



Run-time failure: The consistency check either failed or was incomplete. Command did not complete successfully.

Example 2

```
nbemmcmd -setemmserver -emmservername throttle -newemm upwords
```

These hosts were found in this domain: throttle, upwords

Checking with host: throttle...

Checking with host: upwords...

Server Type	Host Version	Host Name	EMM Server
MEDIA	UNKNOWN RELEASE (0)	throttle	throttle

EMM server name was changed.

MASTER	6.0Alpha	upwords	upwords
--------	----------	---------	---------

One media hosts had EMM Server name changed. Command completed successfully.

nbjm

NAME

nbjm – NetBackup Job Manager submits jobs and acquires the resources to start the jobs.

SYNOPSIS

```
install_path\NetBackup\bin\nbjm [-console] [-terminate]
```

DESCRIPTION

The NetBackup Job Manager, `nbjm`, binary is a new service introduced in NetBackup 6.0. This service is started when NetBackup is started and it remains active. The primary function of this binary is to accept jobs that were determined to be submitted by `nbpem`, acquire the resources to run them, and then start the job. This service then waits for the completion of a job and sends a signal to `nbpem` when a job completes. This service also handles all IRM communications to `bpjobjd` for Activity Monitor information, external resource requests, and it writes to the progress log.

OPTIONS

`-console`

This option enables you to start NetBackup in console mode.

`-terminate`

This option accepts an option parameter which is the number of seconds to wait for jobs to finish before terminating. The default is 60 seconds. A value of 0 causes `nbjm` to wait until all jobs are completed before terminating. If a limit is placed on the termination, once that limit is reached, `nbjm` terminates without waiting for the completion of jobs.

SEE ALSO

`nbpem`, `nbrb`



nbnos

NAME

nbnos – Name of the binary for NetBackup

SYNOPSIS

```
install_path\NetBackup\bin\nbnos [-console] [-terminate] [-Factory  
name] [-IORoutput file] [-ChannelName name] [-Channel]
```

DESCRIPTION

The `nbnos` command can be used to register an event channel, to set a channel name, to start NetBackup in console mode, and to set a factory name.

OPTIONS

- channel
Enables you to register an event channel. The default setting is to not register an event channel.
- ChannelName
Enables you to set the channel name. The default channel name is, `VRTS_NotifyEventChannel`.
- console
This option enables you to start NetBackup in console mode.
- Factory *name*
This option enables you to set the factory name. The default value for this setting is, `VRTS_NotifyEventChannelFactory`.
- terminate
This option enables you to stop `nbnos`.

nbpem

NAME

nbpem – NetBackup Policy Execution Manager schedules and submits jobs that are due based on a policy worklist.

SYNOPSIS

```
install_path\NetBackup\bin\nbpem [-console] [-terminate]
```

DESCRIPTION

The NetBackup Policy Execution Manager, nbpem, is a new binary that performs many of the functions that the bpsched binary did in previous versions of NetBackup. This binary is a service that is started when NetBackup is started and remains active until NetBackup is stopped.

Much like bpsched in previous releases, nbpem determines which jobs are due based on defined policies and the previous backup images. Although the function is the same, nbpem develops its work list differently than bpsched. The nbpem binary creates its worklist once when it starts, determines when each job in the worklist needs to be submitted, and then submits that job to nbjm for processing at the scheduled time. nbpem rebuilds its work list only when a job finishes, a policy is modified, or an image expires. Previous versions of bpsched would, based on a time interval, rebuild the work list.

In addition, this nbpem does the following:

- ◆ Determines a policy's priority based on how overdue the job is.
- ◆ Ensures policies are scheduled within the windows in which they are supposed to run.
- ◆ Cancels policies that are queued, that are late or outside the parameters of the scheduled window.
- ◆ Handles any policy changes and then updates the worklist with the policies that are due to run accordingly.
- ◆ Initiates retries if a particular job stopped part way through the backup.

OPTIONS

-console

This option enables you to start NetBackup in console mode.

-terminate

This option enables you to stop the NetBackup policy execution manager.



SEE ALSO

nbjm, nbrb, nbpemreq

nbpemreq

NAME

nbpemreq – NetBackup Policy Execution Manager Requisition, schedules jobs when jobs are due.

SYNOPSIS

```
install_path\NetBackup\bin\admincmd\nbpemreq -predict -date
mm/dd/yyyy HH:MM:SS
```

```
install_path\Netackup\bin\admincmd\nbpemreq -predict -dateu
unixtime
```

```
install_path\Netackup\bin\admincmd\nbpemreq -updatepolicies
```

DESCRIPTION

The nbpemreq command enables a user to determine which jobs are coming due in the near future, and to read in all policy updates that have been entered and are in a pending state.

OPTIONS

```
-predict -date mm/dd/yyyy HH:MM:SS
```

This option provides feedback by showing what jobs are scheduled to run in the near future. The -date command specifies the time more accurately.

```
-predict -dateu unixtime
```

This option provides feedback by showing what jobs are scheduled to run in the near future. The -dateu command specifies the time in UNIX time (seconds).

```
-updatepolicies
```

This option tells the NetBackup policy execution manager to read in all policy updates that are pending.

SEE ALSO

nbpem



nbpushdata

NAME

nbpushdata – Push information from the current database files to the EMM database.

SYNOPSIS

```
install_path\NetBackup\bin\nbpushdata -add  
install_path\NetBackup\bin\nbpushdata -add_5x_vmhost host  
install_path\NetBackup\bin\nbpushdata -remove host  
install_path\NetBackup\bin\nbpushdata -modify_5x_hosts
```

DESCRIPTION

The `nbpushdata` command moves data from the current database files to the EMM database. This command is run after the upgrade installation is complete. Data will be moved to the EMM database only when `nbpushdata` is run for a host that has been upgraded to NetBackup 6.0. No data will be moved to the EMM database from any other host except the host specified for `nbpushdata`.

Only a NetBackup 5.x environment with a single Global Device Database containing unique robot numbers and unique drive names can be upgraded by `nbpushdata`. Environments containing duplicate robot numbers, duplicate drive names, or other device configuration inconsistencies will not be upgraded properly.

The EMM and database daemons must be running on the EMM Server to accept data from `nbpushdata`. The NetBackup and Media Manager daemons must be started on the local host before running `nbpushdata`.

NOTE: You are only to use `nbpushdata` to upgrade an existing supported NetBackup 5.x environment that contains a single Global Device Database host. It is not a tool for merging multiple NetBackup environments.

The list below shows the required order to run `nbpushdata`. It does not indicate the order in which the hosts must be upgraded to NetBackup 6.0. The upgrade order may be different than the order to run `nbpushdata`. For more information regarding the install and upgrade to NetBackup 6.0, refer to the *NetBackup Installation Guide for Windows*.

Required order to run `nbpushdata`:

1. The server that was the Global Device Database Host in the previous version of NetBackup (`nbpushdata -add`)
2. Master servers (`nbpushdata -add`)
3. Volume Database host(s) (`nbpushdata -add` or `nbpushdata -add_5x_vmhost`)



After running `nbpushdata` for all Volume Database hosts, run `nbpushdata -modify_5x_hosts` on each master server if you intend to leave any media servers at a NetBackup 5.x version level.

4. Any remaining media servers (optional) (`nbpushdata -add`)

Hosts in groups 1, 2, and 3 must be upgraded to NetBackup 6.0 and have `nbpushdata` run on them before the NetBackup environment is functional. Hosts in group 4 are not required to be upgraded at the same time as the hosts in groups 1, 2, and 3. They may be upgraded at a later time.

Data will be moved to the EMM database from all of the current database files (that are listed below) that exist on the specified host. NetBackup 6.0 binaries cannot read these files (entries for `vm.conf` and `bp.conf`) and will only access this data from the EMM database.

- ◆ `volmgr/database/globDB`
- ◆ `volmgr/database/ltidevs`
- ◆ `volmgr/database/robotic_def`
- ◆ `volmgr/database/.namespace.chksum` (NDMP)
- ◆ `volmgr/database/ruleDB`
- ◆ `volmgr/database/poolDB`
- ◆ `volmgr/database/volDB`
- ◆ `netbackup/db/media/mediaDB`
- ◆ `netbackup/db/config/storage_units`
- ◆ `netbackup/db/config/stunit_groups`
- ◆ `volmgr/vm.conf` (Some entries)
 - ◆ `DISALLOW_NONNDMP_ON_NDMP_DRIVE`
 - ◆ `DO_NOT_EJECT_STANDALONE`
 - ◆ `DRIVE_NAME_SEED`
 - ◆ `RETURN_UNASSIGNED_MEDIA_TO_SCRATCH_POOL`
 - ◆ `SSO_SCAN_ABILITY`
 - ◆ `VAULT_CLEAR_MEDIA_DESC`
- ◆ `netbackup/bp.conf` or the Windows registry (Some entries)
 - ◆ `ALLOW_MULTIPLE_RETENTIONS_PER_MEDIA`
 - ◆ `DISABLE_STANDALONE_DRIVE_EXTENSIONS`



- ◆ MEDIA_ID_PREFIX
- ◆ MEDIA_REQUEST_DELAY
- ◆ MUST_USE_LOCAL_DRIVE
- ◆ Touch files (Some)
 - ◆ netbackup/DONT_USE_SLAVE
 - ◆ netbackup/DRIVE_ERROR_THRESHOLD
 - ◆ netbackup/MEDIA_ERROR_THRESHOLD
 - ◆ netbackup/TIME_WINDOW
 - ◆ volmgr/NO_STANDALONE_UNLOAD

OPTIONS

-add

Read the database files on the local host and push the information to the EMM database. Use this option when running on a master server or a media server.

When NOT_DATABASE_HOST is set in vm.conf, the poolDB, ruleDB, and volDB files will be ignored.

The estimated time remaining for the globDB, volDB, and mediaDB files is based on the size of the file. Files that contain many deleted records cause a high estimate for the remaining time.

When nbpushdata is run on the Global Device Database host, it attempts to contact any host found in the globDB file that does not yet have a complete host record in the EMM database. If a host is down or inaccessible, it can take several minutes before the operation times out and nbpushdata continues with the next host. Users can avoid this delay by using nbemmcmd -addhost to create EMM host entries for down or inaccessible hosts before running nbpushdata.

Some robot conversions are done when nbpushdata is run on a host. The following changes are only done on hosts that have been upgraded to NetBackup 6.0. Robots on NetBackup 5.x hosts are not converted. LMF robots are deleted and their drives are changed to be standalone drives. TSD and TS8 robots are changed to TLD and TL8 robots, respectively. The robot type changes are also made to the corresponding media and storage unit records in the EMM database.

When nbpushdata is run on Windows, the NetBackup 5.x device names (such as, "Tape0") are converted to NetBackup 6.0 SCSI coordinate device names (such as, "{0,0,0,1}"). When a device does not return its serial number, nbpushdata cannot do the conversion and uses "{999,999,999,999}" as the device name. After nbpushdata has

completed, the device name can be corrected using two methods. The first method is to manually update the device name using `tpconfig`. The second method is to run the Device Configuration Wizard and let it update the device name.

At the completion of `nbpushdata`, one of the following status messages is displayed.

- "Successfully added <host> records to EMM." All records for this host have been successfully moved to the EMM database. You can continue.
- "Partially successful adding <host> records to EMM." Some records for this host have not been moved to the EMM database. Depending on the number and type of records not moved to EMM, this may need to be resolved before you can continue.
- "Failed to push <host> records to EMM." or another failure message. This issue must be resolved before you can continue.

After running `nbpushdata`, restart the NetBackup and Media Manager daemons to get the updated configuration from the EMM database.

The NetBackup 5.x database files are not modified or deleted by `nbpushdata`. Do not remove these files.

The `vm.conf` and `bp.conf` or Windows registry entries moved to the EMM database are obsolete in NetBackup 6.0. Use `nbemmcmd` to modify these entries. Modifying these entries in `vm.conf` and `bp.conf`, or the Windows registry has no effect.

`-add_5x_vmhost host`

For situations where a 5.x media server is serving as a Volume Database Host and cannot be upgraded to NetBackup 6.0, this option can be used to move the poolDB, ruleDB, and volDB information to the EMM database. Use this option when running on a master server.

At the completion of the command, the media server will no longer be a Volume Database host and the `NOT_DATABASE_HOST` entry will be added to `vm.conf`.

This option cannot be used when one of the hosts is a 32-bit platform and the other host is a 64-bit platform.

`-modify_5x_hosts`

After `nbpushdata` has been run on all Volume Database hosts, run this command on each master server that has media servers running NetBackup 5.x. The device configuration on the 5.x hosts will be updated so the EMM Server will always be the volume database host. The pool numbers in the mediaDB on the NetBackup 5.x hosts will be adjusted to match the new pool numbers in the EMM database. The `NOT_DATABASE_HOST` entry will be added to `vm.conf`.



Before modifying the database files on a NetBackup 5.x host, `nbpushdata` creates the following backup files: `robotic_def.tpacbak`, `ltidevs.tpacbak`, and `mediaDB.bak`. Disk only media servers do not require any database modifications.

`-remove host`

Remove the information from the specified host from the EMM database. This is intended to be used to clean up after an incomplete run of `nbpushdata`, such as when a host crashes or the network fails. This command only removes the information from the last host on which you ran `nbpushdata`. You cannot run this command on host updated before the last host. Use this option when running on a master server or a media server.

NOTES

- ◆ General
 - ◆ A log file is automatically created in `netbackup/logs/nbpushdata` when `nbpushdata` starts.
 - ◆ Since pool access based on host, user id, and group id is not supported in NetBackup 6.0, these values will be discarded by `nbpushdata`.
 - ◆ On Windows, a command window must be opened to run `nbpushdata`. It cannot be run by clicking on the icon
 - ◆ When running `nbpushdata` for clusters, you only need to run the `nbpushdata -add` command on the active node. `nbpushdata` obtains the necessary information from the inactive nodes. You only need to run this command once in a cluster.
 - ◆ In some configurations, `nbpushdata` cannot automatically run `bpdm -convert_legacy`. If it is necessary to run this command manually, `nbpushdata` will display a message to do so.
- ◆ Combined Media Record
 - ◆ As `nbpushdata` is moving records to the EMM database, the corresponding `volDB` and `mediaDB` records will be combined into a single EMM media record based on media ID and assigned time. If a match cannot be made automatically, the `mediaDB` record is saved in a merge table for manual matching later. There are `nbemmcmd` options to view this `mediaDB` merge table and to manually match the `mediaDB` and `volDB` records.
 - ◆ For imported media, the assigned time in the `volDB` and in the `mediaDB` records are not the same, so EMM cannot match them automatically. These records must be matched manually using `nbemmcmd`.
- ◆ Multiple Volume Database Hosts

- ◆ The former `vm.conf` options `RETURN_UNASSIGNED_MEDIA_TO_SCRATCH_POOL` and `VAULT_CLEAR_MEDIA_DESC`, which were applied on a host basis in NetBackup 5.x, are now global for all hosts using the EMM Server. The values from the last volDB host where `nbpushdata` was run become the global options.
- ◆ Volume groups will be merged into the EMM database by name. If the same volume group exists on two different volDB hosts, the volume groups will be merged.
- ◆ If a volDB host has a pool name that is not a scratch pool, but the same pool name exists as a scratch pool on another volDB host, the pool will become a scratch pool. To prevent this from happening, the pool must be renamed before the upgrade.
- ◆ Pools from the various Volume Database hosts (volDB hosts) will be merged into the EMM database by name. This includes the default pools (None, NetBackup, and DataStore) and the user-defined pools. Scratch pools are the only exception to this rule. All scratch pools will be merged regardless of name. The merged scratch pool name that is used is the first scratch pool name encountered during the upgrade. Pool numbers will be adjusted during the upgrade to be unique within the EMM database.
- ◆ Some customers may be using the same pool name on two different volDB hosts. The volumes will not remain logically separated after the merge. Customers who have multiple volDB hosts and have the requirement to keep volumes with the same pool names separate, **must** rename the pools before the upgrade.
- ◆ In NetBackup 6.0, a single set of barcode rules is stored in the EMM database. The barcode rules from the various volDB hosts are added to the EMM database in the order that they are found. Only the first barcode rule with a particular barcode tag is added to the EMM database. Additional barcode rules with the same tag are not added. Manual adjustment of the barcode rules may be necessary after running `nbpushdata`.
- ◆ As media records are being moved to the EMM database while `nbpushdata` is running, media record conflicts will be detected and the associated media records will be marked. The possible conflicts are: media id, barcode, residence, RSM GUID, and ADAMM GUID.



nbrb

NAME

nbrb – NetBackup Resource Broker,

SYNOPSIS

```
install_path\NetBackup\bin\nbrb [-console] [-terminate]
```

DESCRIPTION

The NetBackup Resource Broker, `nbrb`, binary is a service that is started when NetBackup is started and remain active. This service makes the allocations for such things as storage units, tape drives, and client reservations. This service works closely with the EMM to obtain physical and logical resources that a job requires to run. Physical resources can be storage units, tape drives, and media IDs. Logical resources can be named resources, max jobs per client, max jobs per policy, and multiplexed groups as resources that `nbjm` uses.

OPTIONS

`-console`

This option enables you to start NetBackup in console mode.

`-terminate`

This option enables you to stop the `nbrb`.

SEE ALSO

`nbjm`, `nbpem`

restoretrace

NAME

restoretrace - consolidate debug logs for a restore job

SYNOPSIS

```
install_path\NetBackup\bin\admincmd\restoretrace [-master_server  
name] [-job_id number] [-client_name name]  
[-start_time hh:mm:ss] [-end_time hh:mm:ss] mmddyy  
[mmddyy ...]
```

DESCRIPTION

The restoretrace utility can be used to consolidate the debug logs for the specified restore job[s]. It will copy to standard output the debug log lines relevant to the specified restore job[s]. The messages will be sorted by time. The utility will attempt to compensate for time zone changes and clock drift between remote servers and clients. The output is formatted so that it should be relatively easy to sort or grep by time stamp, program name, and/or server/client name.

At a minimum, you must enable debug logging for bprd on the master server, for bpbrm and bptm/bpdm on the media server and tar on the client. For best results, set the verbose logging level to 5 and enable debug logging for bpdbm on the master server and for bpcd on all servers and clients in addition to the processes already identified.

You must have administrator privileges to execute this command.

OPTIONS

```
-master_server name  
    Name of the master server. Default is the local host name.  
  
-job_id number  
    Job ID number of the restore job to analyze.  
  
-client_name name  
    Client name of the jobs to analyze.  
  
-start_time hh:mm:ss  
    Earliest time stamp to start analyzing the logs.  
  
-end_time hh:mm:ss  
    Latest time stamp to finish analyzing the logs.  
  
mmddyy [mmddyy]  
    One or more day stamps. This identifies the log file names (log.mmddyy  
    for UNIX, mmddyy.log for Windows) that will be analyzed.
```



NOTES

Media Manager logs are not analyzed.

Windows 95/98 and Mac OS 8/9 client logs may not be analyzed.

EXAMPLES

```
C:\Program Files\Veritas\NetBackup\bin\admincmd\restoretrace  
client peony install_path C:\Program Files\Veritas 071502  
log.peony
```

This invocation of the utility will consolidate debug logs for all the restore jobs for the client *peony* on *071502*. Use the *start_time/end_time* arguments to limit the window for which jobs are to be evaluated.

set_ndmp_attr

NAME

set_ndmp_attr - authorizes access and sets configuration values for NDMP attached robots.

On Windows server systems: *install_path*\Volmgr\bin\set_ndmp_attr

SYNOPSIS

The set_ndmp_attr command can take any of the following sets of parameters as a single line. Two or more sets can be combined into one line (see Example 4).

```
set_ndmp_attr [-insert | -update | -delete | -display] -auth
               [ndmp-server-host] [user-name] [password]

set_ndmp_attr [-insert | -update | -delete | -display] -robot
               [ndmp-server-host] [robot-device] [scsi-controller scsi-id scsi-lun]

set_ndmp_attr -verify [ndmp-server-host]

set_ndmp_attr -probe [ndmp-server-host] (not available for NDMP V2)

set_ndmp_attr [-list | -l]

set_ndmp_attr [-list_compact | -lc]
```

DESCRIPTION

Authorizes access and sets configuration values for robots attached to an NDMP host, and places them into the NDMP configuration database.

OPTIONS

- insert (optional)
Allows user to insert a new authorize access entry or a new robot (must be used with -auth or -robot).
- update (optional)
Updates an NDMP entry (must be used with -auth or -robot).
- delete (optional)
Deletes an NDMP entry (must be used with -auth or -robot).
- display (optional)
Displays an NDMP entry (must be used with -auth or -robot).
- auth
Creates an entry to allow access to an NDMP client.



- robot
Sets the configuration values for an NDMP-attached robot.
- verify
Verifies that the NetBackup for NDMP server has access to the NDMP host. If a robot is configured on the NDMP host, this option verifies access to the robot.
- probe
Lists all devices attached to the NDMP host.
- list or -l (optional)
Lists the current entries in the NDMP configuration database.
- list_compact or -lc (optional)
Lists a short version of the NDMP configuration database.

Note If none of the following (-insert, -update, -delete, or -display) precedes the options -robot or -auth, the default is to either insert or update, depending on whether the host or robot already exists.

EXAMPLES

Example 1: Setting the authorization of an NDMP client

```
set_ndmp_attr -insert -auth stripes root
Passwd:XXXXX
Passwd:XXXXX
```

Example 2: Setting the configuration values for a robot attached to an NDMP client. The robot is on control 2, SCSI-ID 3, and LUN 0.

```
set_ndmp_attr -insert -robot stripes c2t3l0 2 3 0
```

Example 3: Running a verify

```
set_ndmp_attr -verify
Verify Host name: stripe
```

Result of Example 3:

```
Verify Host name: stripes
Connecting to host "stripes" as user "root"...
Waiting for connect notification message...
Opening session with NDMP protocol version 2...
Host info is:
  host name "stripes"
  os type "SunOS"
```

```
os version "5.8"
host id "80dd14ba"
host supports TEXT authentication
host supports MD5 authentication
Getting MD5 challenge from host...
Logging in using MD5 method...
Login was successful
Opening SCSI device "c2t3l0"...
Setting SCSI target controller 2 id 3 lun 0...
Inquiry result is "HP          C5173-7000          3.04"
```

Example of failed verification due to incorrect password:

```
Connecting to host "stripes" as user "root"...
Waiting for connect notification message...
Opening session with NDMP protocol version 2...
Host info is:
  host name "stripes"
  os type "SunOS"
  os version "5.8"
  host id "80dd14ba"
  host supports TEXT authentication
Logging in using TEXT method...
ndmp_connect_client_auth failed
set_ndmp_attr: host "stripes" failed
set_ndmp_attr: unable to continue
```

Example 4: This shows several sets of parameters combined

```
set_ndmp_attr -auth stripes root -robot stripes c2t3l0 2 3 0 -verify stripes
```



tl4d

NAME

tl4d - Tape Library 4MM (TL4) process

SYNOPSIS

```
install_path\Volmgr\bin\tl4d
```

DESCRIPTION

tl4d interfaces with Media Manager to mount and unmount tapes in a Tape Library 4MM (TL4) robot. It is initiated by the NetBackup Device Manager service (ltid), if the Media Manager device configuration shows drives in the robot. Stopping ltid stops tl4d.

tl4d communicates with the robotics through a SCSI interface. When the connection is established (the path for robotics can be opened), tl4d puts the TL4 robot in the UP state and can mount and unmount tapes. If the robotics are inaccessible, tl4d changes the robot to the DOWN state. In this state, tl4d is still running and returns the robot to the UP state if it is able to make a connection.

The media ID and slot number information for 4 mm tapes in a robot must be defined in the Enterprise Media Manager Database before any tapes can be accessed through the NetBackup Device Manager service and tl4d.

If a cleaning volume is used, it must be defined in the volume configuration. See tpclean for information on setting the frequency for automatic drive cleaning.

The Internet service port number for tl4d must be in %SystemRoot%\system32\drivers\etc\services. To override the services file, create the file *install_path*\Volmgr\database\ports\tl4d with a single line that contains the service port number for tl4d. The default service port number is 13713.

You must have administrator privileges to execute this command.

ERRORS

Media Manager logs any Tape Library 4MM and robotic errors to the Windows application event log. Log entries are also made when the state changes between UP and DOWN.

tl8d

NAME

tl8d, tl8cd - Tape Library 8MM (TL8) process and control process

SYNOPSIS

```
install_path\Volmgr\bin\tl8d
```

```
install_path\Volmgr\bin\tl8cd
```

DESCRIPTION

tl8d and tl8cd interface with Media Manager to mount and unmount volumes in a Tape Library 8MM robot.

tl8d directly interfaces with the NetBackup Device Manager service (ltid). A tl8d process runs on each host with a drive connection and sends mount and unmount requests to the control process (tl8cd). tl8cd communicates with the robotics through a SCSI interface.

The following paragraph applies only to NetBackup Enterprise Server:

Tape Library 8MM robotic control software permits drives in the same robot to be configured on different hosts. tl8cd may be running on a different host than tl8d, depending on where the SCSI connection resides (see EXAMPLES). When the connection is established (that is, the path for robotics can be opened), tl8d puts the TL8 robot in the UP state and can mount and unmount volumes. If the robotics are inaccessible, tl8d changes the robot to the DOWN state. In this state, tl8d is still running and returns the robot to the UP state if tl8cd is able to make a connection.

The following paragraph applies only to NetBackup Enterprise Server:

If drives are on different NetBackup hosts, the robotic information must be entered in the Media Manager configuration on all machines and the robot number must be the same on all machines.

tl8d and tl8cd are started when the NetBackup Device Manager service is started and stopped when this service is stopped.

The control process, tl8cd, is on the host that has the robotic control and is automatically started by tl8d on that host (see EXAMPLES). tl8cd is stopped when you stop the NetBackup Device Manager service.

The media ID and slot number information for volumes in a robot must be defined in the EMM database before any volumes can be accessed through the NetBackup Device Manager service, tl8d, and tl8cd.

If a cleaning volume is used, it must be defined in the volume configuration. See tpclean for information on setting the frequency for automatic drive cleaning.



If the `vm.conf` configuration option `PREVENT_MEDIA_REMOVAL` is enabled when `tl8cd` is active, `tl8cd` disables access to the volumes and media access port by issuing a command to the TL8 robot. If it is necessary to open the door of the cabinet, you must terminate `tl8cd` first. By default, access to the library is allowed.

The drives are logically numbered 1 through n , where n is the number of drives in the robotic library. Use one or more of the following to determine the correct robot drive numbers:

- ◆ The Device Configuration wizard (if the robotic library and drives support serialization).
- ◆ The robotic library vendor's documentation on drive indexing.
- ◆ The robotic test utility, or experiment by mounting media and watching the operator display.

The Internet service port number for `tl8cd` must be in `%SystemRoot%\system32\drivers\etc\services`. To override the services file, create the file `install_path\Volmgr\database\ports\tl8cd` with a single line that contains the service port number for `tl8cd`. The default service port number is 13705.

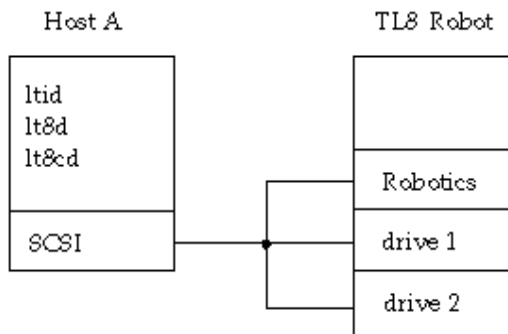
You must have administrator privileges to execute this command.

ERRORS

Media Manager logs any Tape Library 8MM and robotic errors to the Windows application event log. Log entries are also made when the state changes between UP and DOWN.

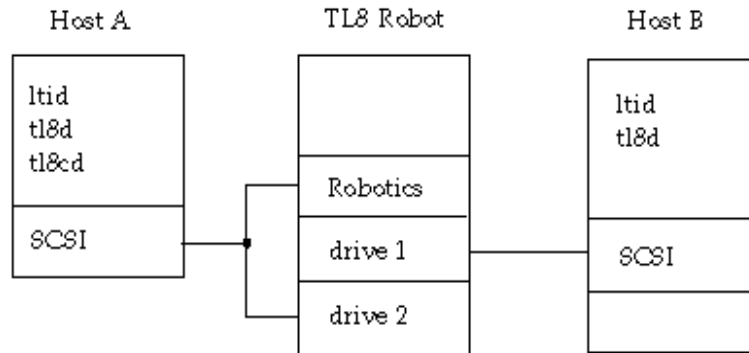
EXAMPLES

In the following diagram, the drives and the robotics are connected to a single host. `ltid` initiates `tl8d`, which in turn initiates `tl8cd`.



The following example applies only to NetBackup Enterprise Server:

In the following diagram, each host is connected to one drive in the robot and the robotics are connected to host A. `ltid` on each host initiates `t18d`. The `t18d` on host A also initiates `t18cd`, since that is where the robotic control is defined. Requests to mount tapes from host B go to `t18d` on host B, which sends the robotic command to `t18cd` on host A.



tldd

NAME

tldd, tldcd - Tape Library DLT (TLD) process and control process

SYNOPSIS

```
install_path\Volmgr\bin\tldd  
install_path\Volmgr\bin\tldcd
```

DESCRIPTION

tldd and tldcd interface with Media Manager to mount and unmount volumes in a Tape Library DLT (TLD) robot.

tldd directly interfaces with the NetBackup Device Manager service (ltid). tldd runs on each host with a drive connection and sends mount and unmount requests to the control process (tldcd). tldcd communicates directly with the robotics through a SCSI interface.

The following paragraph applies only to NetBackup Enterprise Server:

TLD robotic control software permits drives in the same robot to be configured on different hosts. tldcd may be running on a different host than tldd, depending on where the interface connection resides (see EXAMPLES). When the connection is established (that is, the path for robotics can be opened), tldd puts the TLD robot in the UP state and can mount and unmount volumes. If the robotics are inaccessible, tldd changes the robot to the DOWN state. In this state, tldd is still running and returns the robot to the UP state if tldcd is able to make a connection.

The following paragraph applies only to NetBackup Enterprise Server:

If drives are on different NetBackup hosts, the robotic information must be entered in the Media Manager device configuration on all machines and the robot number must be the same on all machines.

tldd and tldcd are started when ltid is started and stopped when this service is stopped.

tldcd is on the host that has the robotic control and is automatically started by tldd on that host. tldcd is stopped when you stop the NetBackup Device Manager service.

The media ID and slot number information for volumes in the robot must be defined in the EMM database before any volumes can be accessed through the NetBackup Device Manager service, tldd, and tldcd.

If a cleaning volume is used, it must be defined in the volume configuration. See tpclean for information on setting the frequency for automatic drive cleaning.

The drives are logically numbered 1 through n , where n is the number of drives in the robotic library. Use one or more of the following to determine the correct robot drive numbers:

- ◆ The Device Configuration wizard (if the robotic library and drives support serialization).
- ◆ The robotic library vendor's documentation on drive indexing.
- ◆ The robotic test utility, or experiment by mounting media and watching the operator display.

The Internet service port number for `tldcd` must be in

`%SystemRoot%\system32\drivers\etc\services`. To override the services file, create the file `install_path\Volmgr\database\ports\tldcd` with a single line that contains the service port number for `tldcd`. The default service port number is 13711.

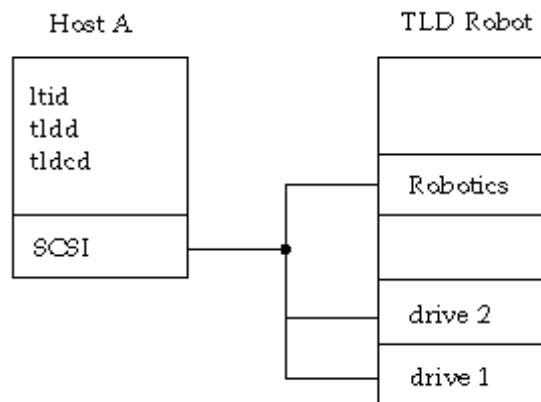
You must have administrator privileges to execute this command.

ERRORS

Media Manager logs any Tape Library DLT and robotic errors to the Windows application event log. Log entries are also made when the state changes between UP and DOWN.

EXAMPLES

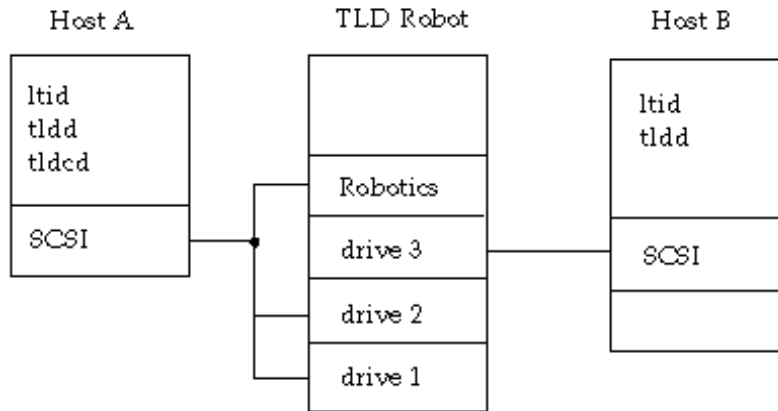
In the following diagram, the two drives and the robotics connect to Host A. `ltid` initiates `tldd`, which in turn initiates `tldcd`.



The following example applies only to NetBackup Enterprise Server:



In the following diagram, each host connects to one drive and the robotics connect to host A. `ltid` on each machine initiates `tldd`. The `tldd` on host A also initiates `tldcd`, since that is where the robotic control is defined. Requests to mount tapes from host B go to `tldd` on host B, which sends the robotic command to `tldcd` on host A.





tlhd

NAME

tlhd, tlhcd - Tape Library Half-inch (TLH) process and control process

SYNOPSIS

```
install_path\Volmgr\bin\tlhd
```

DESCRIPTION

tlhd and tlhcd interface with Media Manager to mount and unmount tape volumes in a Tape Library Half-inch (TLH) robot.

tlhd directly interfaces with the NetBackup Device Manager service (ltid). tlhd runs on each host with a drive connection and sends mount and unmount requests to the control process, tlhcd.

tlhcd communicates with the IBM Automated Tape Library (ATL) library manager, which processes all requests and control functions for the robotic library. TLH robotic control software permits drives in the same robot to be configured on different hosts. tlhcd can be running on a different host than tlhd, depending on where the IBM library control is configured (see EXAMPLES). When communication with the library is established, tlhd puts the TLH robot in the UP state and can request volume mounts and unmounts. If the library or control process is inaccessible, tlhd changes the robot to the DOWN state. In this state, tlhd is still running and returns the robot to the UP state if tlhcd is able to make a connection.

tlhd and tlhcd are automatically started when the NetBackup Device Manager service is started and stopped when this service is stopped.

tlhcd is on the host that has the robotic control and is automatically started by tlhd on that host. tlhcd is terminated when you stop the NetBackup Device Manager service ltid.

The Media Manager media ID for volumes to be used in the library must be defined in the EMM database before any volumes can be accessed using the NetBackup Device Manager service ltid, tlhd, and tlhcd. Both the initial EMM database population and future updates can be accomplished using Media Manager robotic inventory options.

The drives are configured using IBM device names. The robotic test utility, tlhtest (or robtest if the robot is configured), can be used to determine the device names associated with the robot. You can also use this utility along with IBM's mtlib command-line interface to verify library communications, status, and functionality.

Drive cleaning for Tape Library Half-inch robotic control must be configured through an IBM library manager console, since these operations are not made available to applications that are using the IBM library manager. For this reason, cleaning volumes

cannot be defined through Media Manager. In addition, you cannot use the Media Manager utilities or the `tpclean` command for cleaning operations on drives under TLH robotic control.

You must have administrator privileges to execute this command.

NOTES

This command applies only to NetBackup Enterprise Server.

If drives are on different hosts, the robotic information must be entered in the Media Manager device configuration on all machines and the robot number must be the same on all machines.

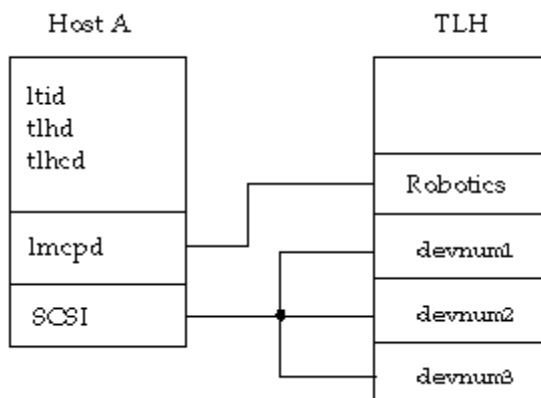
ERRORS

Media Manager logs any Tape Library Half-inch and robotic errors to the Windows application event log. Log entries are also made when the state changes between UP and DOWN.

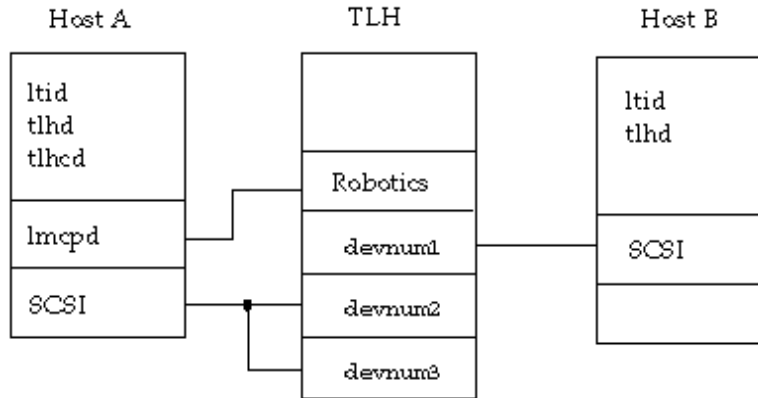
EXAMPLES

In the following examples the device hosts can be any supported Windows server or the following UNIX servers: AIX, HP-UX, IRIX, DYNIX/ptx, or Solaris.

In the following diagram, the drives are attached to and the robotics are controlled from a single host. `ltid` initiates `tlhd`, which in turn initiates `tlhcd`. The IBM Automated Tape Library service (`lmcpd`) must be running on Host A.



In the following diagram, each host is connected to at least one drive and the robotics are controlled from Host A. `ltid` on each machine initiates `tlhd`. The `tlhd` on Host A also initiates `tlhcd`, since that is where the robotic control is defined. Requests to mount tapes from Host B go to `tlhd` on Host B, which sends the robotic command to `tlhcd` on Host A.



t1md

NAME

t1md - Tape Library Multimedia (TLM) process

SYNOPSIS

```
install_path\Volmgr\bin\t1md
```

DESCRIPTION

t1md interfaces with Media Manager to automatically mount and unmount tapes that are under control of a TLM robot. It is initiated by the NetBackup Device Manager service (l1tid), if the Media Manager device configuration shows drives in an TLM robot. Stopping l1tid stops t1md.

t1md performs its tasks by sending requests to the DAS server that controls the robot.

When the connection is established, t1md puts the TLM robot in the UP mode and can mount and unmount tapes. If the connection cannot be established or robotic errors exist, t1md changes the robot to the DOWN mode. In this state, t1md is still running and returns the robot to the UP mode when the problem no longer exists.

The Internet service port number for t1md must be in %SystemRoot%\system32\drivers\etc\services. To override the services file, create the file *install_path*\Volmgr\database\ports\t1md with a single line that contains the service port number for t1md. The default service port number is 13716.

The drives are configured using DAS/SDLL device names. The robotic test utility, t1mtest (or robtest if the robot is configured), can be used to determine the device names associated with the robot.

You must have administrator privileges to execute this command.

NOTES

This command applies only to NetBackup Enterprise Server.

ERRORS

Media Manager logs TLM and network errors to the Windows application event log. Log entries are also made when the mode changes between UP and DOWN.



tpautoconf

NAME

tpautoconf - Manage the Enterprise Media Manager Server

SYNOPSIS

```
install_path\Volmgr\bin\tpautoconf -get_gdbhost  
install_path\Volmgr\bin\tpautoconf -set_gdbhost host_name  
install_path\Volmgr\bin\tpautoconf -verify ndmp_host_name  
install_path\Volmgr\bin\tpautoconf -probe ndmp_host_name  
install_path\Volmgr\bin\tpautoconf -report_disc  
install_path\Volmgr\bin\tpautoconf -replace_drive drive_name -path  
    drive_path  
install_path\Volmgr\bin\tpautoconf -replace_robot robot_number  
    -path robot_path
```

DESCRIPTION

tpautoconf is normally used by the Device Configuration wizard to automatically discover and configure devices. This wizard calls tpautoconf with a different set of options.

The `get` and `set` options described here are useful only in special situations; for example, to specify a different host as the Enterprise Media Manager Server. The Enterprise Media Manager Server name is automatically defined when NetBackup is installed. See the Configuring Storage Devices chapter of the NetBackup Media Manager system administrator's guide for information about managing the Enterprise Media Manager Server.

A user can use the `-report_disc`, `-replace_drive`, and `-replace_robot` options to re-configure the devices on the EMM database to reflect a serial number change caused by the replacement of configured device. The correction process requires that after hardware replacement, at least one system must be made available through the operating system. This may require re-mapping, re-discovery, and/or rebooting the system. Refer to, "Making Changes to your Existing Configuration", in the *NetBackup Shared Storage System Administrator's Guide* for instruction on how to reconfigure the EMM database. After you configure the server(s), use the `-report_disc` option to scan the current hardware, and compare it with the configured hardware. A list of discrepancies is produced and shows the replaced hardware, and the new hardware.

Note: Not all servers will have access to robotic hardware. Even though this is expected, these robots will be listed as missing.



All servers must be running NetBackup 5.0 or better for `-replace_drive` or `-replace_robot` to properly reconfigure them. For servers that are running older versions of NetBackup, manual reconfiguration are required after running `-replace_drive` and `-replace_robot`.

The final step to adding replacement hardware is to configure the hardware on all servers via their Operating Systems and then run the Device Configuration wizard to configure the new path information. Again, refer to, "Making Changes to your Existing Configuration", in the *NetBackup Shared Storage System Administrator's Guide*.

You must have administrator privileges to execute this command.

OPTIONS

- `-get_gdbhost`
Returns the name of the EMM server host.
- `-set_gdbhost host_name`
Sets the name of the EMMSERVER entry in bp.conf.
- `-probe ndmp_host_name`
Lists all devices attached to the NDMP host..
- `-report_disc`
This option enables the device data to be queried from the EMM server to enable a "diff" to be run on these data records against those scanned. You can run this command on reconfigured servers to produce a list of new and missing hardware. This command will scan for new hardware, and produce a report showing the new and the replaced hardware.
- `-replace_drive drive_name -path drive_path`
The EMM database will be used to query/update robot drives. In addition, systems running pre-NetBackup 5.1 versions will be updated from tpautoconf.

NOTE: The *drive_path* variable is a non-NDMP Windows device path for drives and should be used in the $\{p,b,t,l\}$ format where where *p* is the port, *b* is the bus, *t* is the target and *l* is the lun of the device. You can find this information in the registry.
- `-replace_robot robot_number -path robot_path`
The EMM database will be used to query/update robot records. In addition, systems running pre-NetBackup 5.1 versions will be updated from tpautoconf.

NOTE: The *robot_path* variable is a non-NDMP Windows device path for robots and should be used in the $\{p,b,t,l\}$ format where where *p* is the port, *b* is the bus, *t* is the target and *l* is the lun of the device. You can find this information in the registry.



```
-verify ndmp_host_name
Verifies the server name of the NDMP host.
```

EXAMPLES

Example 1

The following command returns the name of the host where the Enterprise Media Manager Database is stored:

```
tpautoconf -get_gdbhost
```

Example 2

The following command sets the Enterprise Media Manager Server to be the host server2:

```
tpautoconf -set_gdbhost server2
```

Example 3

The following example shows how the `-report_disc` command is used to report discrepancies between detected devices and the EMM Database. In addition, an example of how to use the `-replace_drive drive_name -path drive_path` command is included.

```
# install_path\Volmgr\bin\tpautoconf -report_disc
===== New Device (Tape) =====
Inquiry = "QUANTUM DLT8000          0250"
Serial Number = PXB08P3242
Drive Path = /dev/rmt/119cbn
Found as TLD(6), Drive = 1
===== Missing Device (Drive) =====
Drive Name = QUANTUMDLT800014
Drive Path = /dev/rmt/9cbn
Inquiry = "QUANTUM DLT8000          0250"
Serial Number = PXB08P1345
TLD(6) definition Drive = 1
Hosts configured for this device:
Host = dandelion
Host = avocadocat
```

```
# install_path\Volmgr\bin\tpautoconf -replace_drive QUANTUMDLT800014  
-path /dev/rmt/119cbn
```

```
Found a matching device in EMM DB, QUANTUMDLT800014 on host  
dandelion
```

```
update on host dandelion completed
```

```
Found a matching device in EMM DB, QUANTUMDLT800014 on host  
avocadocat
```

```
update on host avocadocat completed
```



tpclean

NAME

tpclean - manages tape drive cleaning

SYNOPSIS

```
install_path\Volmgr\bin\tpclean -L  
install_path\Volmgr\bin\tpclean -C drive_name  
install_path\Volmgr\bin\tpclean -M drive_name  
install_path\Volmgr\bin\tpclean -F drive_name cleaning_frequency
```

DESCRIPTION

tpclean enables you to monitor Media Manager tape drive usage and optionally configure tape drives to be automatically cleaned (except drives in ACS, ODL, or TLH robots; or QIC drives).

Media Manager tracks the total amount of time that volumes have been mounted in the drives. You can use tpclean to specify a cleaning frequency (in hours) for a drive.

Drive cleaning occurs, if the following are true:

- ◆ The mount time exceeds the cleaning frequency.
- ◆ A TapeAlert “CLEAN NOW” or “CLEAN PERIODIC” flag has been raised.
- ◆ The drive is in a robot.
- ◆ The Media Manager volume configuration shows a cleaning tape in the robot.

The Comment field in the tpclean -L output will contain the message, NEEDS CLEANING, if the following are true. You can then manually clean the drive and reset the mount time using the -M option.

- ◆ The mount time exceeds the cleaning frequency.
- ◆ The drive is a standalone drive or does not have a cleaning tape defined.

For the -C, -M, and -F options, the NetBackup Device Manager service must be running.

See the reference topics appendix of the Media Manager system administrator’s guide for information about the TapeAlert feature that is available with most tape drives, and other related drive cleaning topics.

You must have administrator privileges to execute this command.

OPTIONS

-C *drive_name*

Initiates the cleaning of a drive in a robot. The drive must be defined in a robot and a cleaning tape defined in the Media Manager volume configuration. The mount time is reset to zero. The drive name is the name that was assigned to the drive, when it was added.

-L

Prints cleaning statistics.

-M *drive_name*

Use this option to indicate that the drive has been manually cleaned. The mount time is reset to zero. The drive name is the name that was assigned to the drive, when it was added to the device configuration.

-F *drive_name cleaning_frequency*

Sets cleaning frequency for the specified drive to *cleaning_frequency* hours. The drive name is the name that was assigned to the drive when it was added. The value of *cleaning_frequency* must be between 0 and 10,000 hours.

The following applies only to NetBackup Enterprise Server:

Frequency-based cleaning is not supported for shared drives.

NOTES

tpconfig -d, tpconfig -l, and vmopr cmd may truncate long drive names. Please use tpconfig -dl to obtain the full drive name.

tpclean truncates drive names to 22 characters.

EXAMPLES

The following example displays cleaning statistics. An asterisk next to the drive type means the device is defined as robotic.

```
#tpclean -L
Drive Name   Type      Mount Time  Frequency  Last Cleaned  Comment
*****
rob_A_drv1   8mm*      11.4        30         14:33 05/29/92
4mm_drv5     4mm       5.6         10         13:01 06/02/92
dlt_drv6     dlt       3.0         0          N/A
```

The following example sets the cleaning frequency for the drive named `dlt_drv6` to 25 hours. The drive will be flagged as needing cleaning after 25 hours of mount time has occurred.

```
tpclean -F dlt_drv6 25
```



The following example resets the mount time for the drive named `rob_A_drv1` to zero. You would normally use this command after you had manually cleaned the drive.

```
tpclean -M rob_A_drv1
```

The following example initiates the cleaning of drive `rob_A_drv1`. This example assumes the drive is a robotic drive, with a cleaning tape defined. The mount time is reset to zero.

You can use the `-C` option to force the cleaning of a drive prior to reaching *cleaning_frequency*. Normally, robotic drives are cleaned automatically when their mount time exceeds the cleaning frequency.

```
tpclean -C rob_A_drv1
```

Note To use a cleaning tape, the Cleanings Remaining for that tape (as shown in the volume list of the **Media** node in the NetBackup Administration Console or from the `vmquery` command) must be greater than zero. This cleaning count refers to how many more times the cleaning tape can be used. You can change this count using the **Media** node or the `vmchange` command.

tpconfig

NAME

tpconfig - Tape configuration utility

SYNOPSIS

(To display device configuration)

```
install_path\Volmgr\bin\tpconfig -d
```

```
install_path\Volmgr\bin\tpconfig -l
```

```
install_path\Volmgr\bin\tpconfig -dl
```

(To add a drive)

```
install_path\Volmgr\bin\tpconfig -add -drive -type drvtype -port
  port -bus bus -target target -lun lun [-asciiname
  asciidrivename] [-index drvindex] [-shared [yes|no]]
  [-cleanfreq hours] [-comment comment] [-drstatus
  [UP|DOWN|DISABLED]] [-robot robnum -rotype robtype]
  [-noverify] [-robdrnum robdrvnum | -VendorDrvName
  vendor_drive_name] [-ACS acsnum -LSM lsmnum -PANEL
  panelnum -DRIVE drivenum] [preview]
```

```
install_path\Volmgr\bin\tpconfig -add -drive -type drvtype -path
  drivepath [-nh ndmp_hostname] [-asciiname asciidrivename]
  [-index drvindex] [-shared [yes|no]] [-cleanfreq hours]
  [-comment comment] [-drstatus [UP|DOWN|DISABLED]]
  [-robot robnum -rotype robtype] [-robdrnum robdrvnum |
  -VendorDrvName vendor_drive_name | -ACS acsnum -LSM
  lsmnum -PANEL panelnum -DRIVE drivenum] [preview]
```

(To update a drive)

```
install_path\Volmgr\bin\tpconfig -update -drive drvindex [-type
  drvtype] [-port port -bus bus -target target -lun lun]
  [-nh ndmp_hostname -path drivepath] [-noverify]
  [-newasciiname asciidrivename] [-shared [yes|no]]
  [-cleanfreq hours] [-comment comment] [-drstatus
  [UP|DOWN|DISABLED]] [-robot robnum -rotype robtype]
  [-robdrnum robdrvnum | -VendorDrvName vendor_drive_name]
  [-ACS acsnum -LSM lsmnum -PANEL panelnum -DRIVE
  drivenum]
```

(To delete a drive)

```
install_path\Volmgr\bin\tpconfig -delete -drive drvindex
```



```
install_path\Volmgr\bin\tpconfig -multiple_delete -drive  
  drvindex1:drvindex2: ... drvindexN
```

(To add a robot)

```
install_path\Volmgr\bin\tpconfig -add -robot robnum -rodtype robtype  
  -port port -bus bus -target target -lun lun
```

```
install_path\Volmgr\bin\tpconfig -add -robot robnum -rodtype robtype  
  [-nh ndmp_hostname] -robpath changename [-bus bus  
  -target target -lun lun]
```

```
install_path\Volmgr\bin\tpconfig -add -robot robnum -rodtype robtype  
  -cntlhost cntlhost
```

(To update a robot)

```
install_path\Volmgr\bin\tpconfig -update -robot robnum [-rodtype  
  robtype] [-port port -bus bus -target target -lun lun |  
  -cntlhost cntlhost | -tlh_library_name tlh_library_name]
```

```
install_path\Volmgr\bin\tpconfig -update -robot robnum [-rodtype  
  robtype] [-robpath changename] [-nh ndmp_hostname]  
  [-bus bus] [-target target] [-lun lun]
```

```
install_path\Volmgr\bin\tpconfig -update -robot robnum [-rodtype  
  robtype] [-pird [yes|no]]
```

(To delete a robot)

```
install_path\Volmgr\bin\tpconfig -delete -robot robnum
```

```
install_path\Volmgr\bin\tpconfig -multiple_delete -robot  
  robnum1:robnum2: ... robnumN
```

(To add a drive path)

```
install_path\Volmgr\bin\tpconfig -add -drpath -path drivepath [-nh  
  ndmp_hostname] -asciiname asciidrvname [-drstatus  
  [UP|DOWN|DISABLED]] [-noverify]
```

```
install_path\Volmgr\bin\tpconfig -add -drpath -port port -bus bus  
  -target target -lun lun -asciiname asciidrvname  
  [-drstatus [UP|DOWN|DISABLED]] [-noverify]
```

(To update a drive path)

```
install_path\Volmgr\bin\tpconfig -update -drpath -old_path  
  drivepath -path drivepath [-nh ndmp_hostname]  
  -asciiname asciidrvname [-drstatus [UP|DOWN|DISABLED]]  
  [-noverify]
```

```
install_path\Volmgr\bin\tpconfig -update -drpath -old_port port
-old_bus bus -old_target target -old_lun lun -port
port -bus bus -target target -lun lun -asciiname
asciidrvname [-drstatus [UP|DOWN|DISABLED]]
[-noverify]
```

(To delete a drive path)

```
install_path\Volmgr\bin\tpconfig -delete -drpath -path drivepath
-asciiname asciidrvname [-nh ndmp_hostname]
```

```
install_path\Volmgr\bin\tpconfig -delete -drpath -port port -bus
bus -target target -lun lun -asciiname asciidrvname
```

(To Display NDMP host credentials for this host)

```
install_path\Volmgr\bin\tpconfig -dnh
```

(To Display NDMP host credentials for all hosts)

```
install_path\Volmgr\bin\tpconfig -dnh -all_hosts
```

(To Display NDMP default credentials for all hosts)

```
install_path\Volmgr\bin\tpconfig -ddnh
```

(To add an NDMP host using default credentials)

```
install_path\Volmgr\bin\tpconfig -add -nh ndmp_hostname
```

(To add NDMP host credentials)

```
install_path\Volmgr\bin\tpconfig -add -nh ndmp_hostname
-user_id|-filer_user_id user ID [-password password
[-key encryption key]]
```

(To update NDMP host credentials)

```
install_path\Volmgr\bin\tpconfig -update -nh ndmp_hostname
-user_id|-filer_user_id user ID [-password password
[-key encryption key]]
```

Note If the *-key* option is specified, *tpconfig* assumes the password to be provided in MD5 encrypted format.

(To delete NDMP host credentials)

```
install_path\Volmgr\bin\tpconfig -delete -nh ndmp_hostname
-user_id|-filer_user_id user ID
```

(To delete multiple NDMP host credentials. This applies only to credentials that are specific to this host and the specified filer. In other words no default or filer credentials)



```
install_path\Volmgr\bin\tpconfig -multiple_delete -nh  
    ndmp_hostname_1 : ndmp_hostname_2 : ... :  
    ndmp_hostname_N
```

(To add default NDMP host credentials)

```
install_path\Volmgr\bin\tpconfig -add -default_user_id user ID  
    [-password password [-key encryption key]]
```

(To update default NDMP host credentials. If the `-key` option is specified, `tpconfig` assumes the password to be provided in MD5 encrypted format.)

```
install_path\Volmgr\bin\tpconfig -update -default_user_id user ID  
    [-password password [-key encryption key]]
```

(To delete default NDMP host credentials)

```
install_path\Volmgr\bin\tpconfig -delete -default_user_id
```

(To retrieve default NDMP host credentials)

```
install_path\Volmgr\bin\tpconfig -dev_ping [-drive -path  
    drivepath|-robpath robotpath] [-nh ndmp_hostname]
```

```
install_path\Volmgr\bin\tpconfig -dev_ping [-drive] -port port  
    -bus bus -target target -lun lun
```

DESCRIPTION

The `tpconfig` command can be used to configure drives, robots, drive paths, and NDMP hosts for use with NetBackup. The default for *install_path* is `C:\Program Files\VERITAS`.

When your device configuration changes are complete, stop and restart the NetBackup Device Manager service.

OPTIONS

- l
Lists the current device configuration and displays Windows device paths in the {p,b,t,l} encoded form, where p is the port, b is the bus, t is the target and l is the lun.
- d
Lists the current configuration information.
- dl
Lists the full drive name.

-
- `-default_user_id user ID`
The user can configure a user name and password for all media servers and NDMP host combinations under a given master server. A user only needs to add a user name and password once per filer. Use this option with the `-add`, `-update`, or `-delete` commands to specify the user name and password..
- `-add`
Adds a drive or a robot, depending on the accompanying options.
- `-update`
Changes the configuration information for a drive or robot. For example, you can add a drive to a robot.
- `-delete`
Deletes a drive or robot, depending on the accompanying options.
- `-multiple_delete`
Deletes multiple drives or robots, depending on the accompanying options.
- `-drive`
Use this option with the `-add` option to specify that the action is for a drive.
- `-drive drvindex`
Use this option with the `-update`, `-delete`, or `-multiple_delete` options to specify the drive index and that the action is for a drive.
- `-drpath`
The drive path that is being added, updated, or deleted.
- `-type drvtype`
Specifies the type of drive that you are configuring.
Drive type can be any of the following for NetBackup Enterprise Server:
4mm for 4mm tape drives
8mm for 8mm tape drives
8mm2 for 8mm tape drives 2
8mm3 for 8mm tape drives 3
d1t for DLT tape drives
d1t2 for DLT tape drives 2
d1t3 for DLT tape drives 3
hcart for Half-inch cartridge drives
hcart2 for Half-inch cartridge drives 2
hcart3 for Half-inch cartridge drives 3
qscsi for Quarter-inch cartridge drives



Drive type can be any of the following for NetBackup Server:

4mm for 4mm tape drive

8mm for 8mm tape drives

dlt for DLT tape drives

hcart for Half-inch cartridge drives

qscsi for Quarter-inch cartridge drive.

`-path` *drivepath*

Specifies the drive's device path on the NDMP filer.

NOTE: The *drive_path* variable is a non-NDMP Windows device path for drives and should be used in the $\{p,b,t,l\}$ format where where *p* is the port, *b* is the bus, *t* is the target and *l* is the lun of the device. You can find this information in the registry.

`-pird` yes|no

This option sets or clears the PIRD state of the robot (pend if the robot is down). If a robot is in a PIRD state, any storage unit related mount requests for this robot will pend when the robotic control is down.

`-comment` *comment*

Adds a comment about the drive. This field is useful for storing SCSI inquiry data so you can easily check the drive type and firmware level.

`-index` *drvindex*

A drive index is a unique number that is used to identify the drive. When you add a drive you are not required to supply a drive index, since the next available drive index is used by Media Manager. Each drive on a particular host must have a unique index number.

`-drstatus` UP|DOWN|DISABLED

Sets the initial status of the tape drive to the UP, DOWN, or DISABLED state. Discovered drive paths are enabled (UP) by default. An administrator or operator can disable or configure the drive path up/down. The user can also perform this action with options in the Device Management window.

A drive status of DISABLED means NetBackup will store the path but never to use it. In addition, should subsequent discoveries of this drive path occur, NetBackup will not to configure it for use.

`-cleanfreq` *hours*

Specifies the number of hours between drive cleanings. When you add a drive, NetBackup starts recording the amount of time that volumes are mounted in that drive.

If the drive is in a robot and a cleaning volume is defined in the robot, cleaning occurs when the accumulated mount time exceeds the time that you specify for cleaning frequency. NetBackup resets the mount time when the drive is cleaned.

If the drive is standalone or if a cleaning tape is not defined, the message NEEDS CLEANING appears in the comment field of the `tpclean -L` output. To clean the drive, use the `tpclean` command.

`-robot` *robnum*

A unique number that identifies the robot to NetBackup. You assign the robot number when you add the robot using the `add` option.

The following applies only to NetBackup Enterprise Server:

Robot numbers must be unique for all robots that share the same EMM server (and therefore use the same EMM database). This applies regardless of the robot type or the host that controls them. For example, if you have two TLD robots controlled by different hosts, but they have the same EMM server, then the robot numbers must be different.

`-robtype` *robtype*

Specifies the type of robot that you are configuring and can be any of the types supported by NetBackup on Windows servers.

Robot type can be any of the following for NetBackup Enterprise Server:

`acs`, for Automated Cartridge System robotic libraries

`t14`, for Tape Library 4mm robotic libraries

`t18`, for Tape Library 8mm robotic libraries

`t1d`, for Tape Library DLT robotic libraries

`t1h`, for Tape Library Half-inch robotic libraries

`t1m`, for Tape Library Multimedia robotic libraries

Robot type can be any of the following for NetBackup Server:

`t14` for Tape Library 4mm, `t18` for Tape Library 8mm, `t1d` for Tape Library DLT.

`-noverify`

If this option is specified, drive paths are not verified. Normally, `tpconfig` verifies that the no rewind on close drive path has the correct minor number bits relating to no rewind, variable, Berkeley-style, and so on. This option is normally not required, but may be helpful if using non-standard platform device files. If this option is specified, caution should be taken in making sure the device files are correct.



-robdrnum *robdrvnum*

Specifies the physical location (within the robot) of the drive. If you assign the wrong number, NetBackup does not detect it, but an error eventually occurs because the robotic control attempts to mount media on the wrong drive.

You can usually determine the physical location by checking the connectors to the drives or the vendor documentation.

The Robot Slot and Layout appendix of the Media Manager system administrator's guide shows drive layouts for many of the robots that NetBackup supports.

-ACS *acsnum*

-LSM *lsmnum*

-PANEL *panelnum*

-DRIVE *drivenum*

These four options are only applicable for NetBackup Enterprise Server.

These options specify the configuration for ACS (Automated Cartridge System) robots.

acsnum specifies the number for the robotic library as configured on the ACS library software host.

lsmnum specifies the Library Storage Module that has this drive.

panelnum specifies the robot panel where this drive is located.

drivenum specifies the number of this drive.

-VendorDrvName *vendor_drive_name*

This option is only applicable for NetBackup Enterprise Server.

Specifies the IBM device name for a TLH robotic drive or the DAS drive name for a TLM robotic drive.

-asciiname *asciidrivename*

Specifies a name for the drive. This name identifies the drive to Media Manager. If you do not specify a drive name, Media Manager generates a name.

The following applies only to NetBackup Enterprise Server:

If you are adding or updating shared drives, make the drive name as descriptive as possible.

-newasciiname *asciidrivename*

Specifies a new name for the drive.

-port *port*

Specifies the SCSI port number to which the robot or drive connects. You can find this information in the registry.

-
- `-old_port port`
Specifies an existing SCSI port number that a user may want to add, upgrade, or delete.
- `-bus bus`
Specifies an existing SCSI bus number to which the robot or drive connects. You can find this information in the registry.
- `-old_bus bus`
Specifies the SCSI bus number that a user may want to add, upgrade, or delete.
- `-target target`
Specifies the target number (or SCSI ID) to which the robot or drive connects. You can find this information in the registry.
- `-old_target target`
Specifies an existing target number (or SCSI ID) to which the robot or drive connects. Use this command to add, upgrade, or delete an existing target.
- `-lun lun`
Specifies the logical unit number (or SCSI ID) to which the robot or drive connects. You can find this information in the registry.
- `-old_lun lun`
Specifies the logical unit number (or SCSI ID) to which the robot or drive connects. You can find this information in the registry. Use this command to add, upgrade, or delete an existing logical unit number.
- `-cntlhost cntlhost`
This option is only applicable for NetBackup Enterprise Server.
For a robot whose robotic control is on another host, this option specifies the host that controls the robotic library.
This option applies only to TL8, TLD, and TLH robots that can have the robotic control on another host, and to ACS and TLM robots.
For an ACS robot, specify the host name where the ACS library software is installed.
For a TLM robot, specify the host name where the DAS server software is installed.
- `-shared yes/no`
This option indicates is you are adding or updating shared drives.
- `-tlh_library_name tlh_library_name`
Specifies the TLH robotic library name.



`-user_id user ID`

Enables a user to configure a user name and password for all media servers and NDMP host combinations under a given master server. Use this option with the `-add`, `-update`, or `-delete` commands to specify the user name and password.

`-filer_user_id user ID`

Enables a user to configure a user name and password for all media servers connected to a filer. A user only needs to add a user name and password once per filer. Use this option with the `-add`, `-update`, or `-delete` commands to specify the user name and password.

`-robpath robpath`

Specifies the robot's device path on the NDMP filer.

NOTE: The *robpath* variable is a non-NDMP Windows device path for robots and should be used in the `{p,b,t,l}` format where *p* is the port, *b* is the bus, *t* is the target and *l* is the lun of the device. You can find this information in the registry.

NOTES

Note The following paragraphs apply only to NetBackup Enterprise Server:

All locally attached drives and robots on Windows need to be configured using the SCSI port, bus, target and lun. This needs to be done irrespective of whether an operating system device name (like `\\.\Changer0` or `\\.\Tape0`) is associated with the device.

If the robotic control is on a remote host, use the `-cntlhost` option.

Note The following paragraph applies only to NetBackup Server:

`tpconfig -d` may truncate drive names to 22 characters.

`tpconfig -l` may truncate drive names to 32 characters.

Use `tpconfig -dl` to obtain the full drive name.

You must have administrator privileges to execute this command.

EXAMPLES

Note In the following examples, the command that is entered is shown on multiple lines because of page limitations. The actual command is entered on one line.

Example 1: Robotic Control on Local Windows Server

The following example adds a robot that connects directly to a Windows host, and also adds drives to that robot.

Note The following point applies only to NetBackup Server:

1. Add the robot using the following command:

```
tpconfig -add -robot 7 -rodtype tld -port 0 -bus 0 -target 2 lun
0
```

2. If there are drives in the robot that have not been configured, add them.

The following command configures the drive with the system name of Tape0 under control of the robot configured in step 1 (Tape0 has been attached and recognized by the server.)

```
tpconfig -add -drive -type dlt -port 1 -bus 2 -target 3 -lun 4
-comment "DEC          DLT2000 8414" -index 0 -drstatus up -robot 7
-rodtype tld -robdrnum 1 -asciiname DLT2000_D1
```

The command in this example uses the comment field. This field is useful for storing the drive's SCSI inquiry data so that drive type and firmware level can be easily checked.

3. If the robot contains drives that are currently configured as standalone drives, update the drive configuration to place them under robotic control.

The following commands update the configuration for drives 1 and 2:

```
tpconfig -update -drive 1 -type dlt -robot 7 -rodtype tld
-robdrnum 1
```

```
tpconfig -update -drive 2 -type dlt -robot 7 -rodtype tld
-robdrnum 2
```

Note It is important that you assign the correct robot drive number to the drives. If robot drive numbers are incorrect, tape mounts or backups may fail.

Example 2: Robotic Control on Remote Host (The following example applies only to NetBackup Enterprise Server:)

This example adds a robot that connects to another host. It assumes that one or more tape drives that are in the robot, connect to the Windows host where you are currently managing devices.

1. Add the robot by executing the following command:

```
tpconfig -add -robot 9 -rodtype tld -cntlhost perch
```

Ensure that the robot number matches the one on the control host.



2. If the robot contains drives that are currently configured as standalone, update the drive configuration to place them under robotic control.

The following commands update the configuration for drives 1 and 2:

```
tpconfig -update -drive 1 -type dlt -robot 9 -robtype tld
-robdrnum 1
```

```
tpconfig -update -drive 2 -type dlt -robot 9 -robtype tld
-robdrnum 2
```

Note It is important that drives are assigned the correct robot drive number. If robot drive numbers are incorrect, tape mounts or backups may fail.

3. If there are drives in the robot that have not been configured, add them now.

The following command configures the drive with the system name of Tape0 under control of the robot configured in step 1. (Tape0 has been attached and recognized by the Windows server.)

```
tpconfig -add -drive -type dlt -port 1 -bus 2 -target 3 -lun 4
-comment 'DEC      DLT2000 8414' -index 3 -drstatus up -robot 9
-robtype tld -robdrnum 3 -asciiname DLT2000_D3
```

Example 3: Configuring New Standalone Drives

The following is an example of adding a standalone drive, after the drive is installed:

```
tpconfig -add -drive -type dlt -port 1 -bus 2 -target 3 -lun 4
-comment 'DEC      DLT2000 8414' -index 6 -asciiname
DLT2000_standalone
```

Example 4: Demonstrating How Windows Device Paths are Displayed

This example demonstrates how to how the -l option displays the Windows device paths in the p, b, t, l format.

```
C:\Program Files\VERITAS\Volmgr\bin>tpconfig -l
```

Device Type	Robot Num	Drive Index	Drive Type	Robot DrNum	Status	Comment	Drive Name	Device Path
robot	0	-	TLD	-	-	-	-	{3,1,0,1}
robot	1	-	TLD	-	-	-	-	{3,1,0,3}
robot	2	-	TLD	-	-	-	-	{3,1,2,0}
drive	-	0	pcd	-	DISABL	-	SONY.SDX-400V.000	{1,0,0,0}
drive	-	1	hcart2	2	UP	-	IBM.ULTRIUM-TD2.001	{3,1,0,2}
drive	-	1	hcart2	2	UP	-	IBM.ULTRIUM-TD2.001	{3,1,1,2}
drive	-	2	hcart2	1	UP	-	IBM.ULTRIUM-TD2.002	{3,1,0,5}
drive	-	2	hcart2	1	UP	-	IBM.ULTRIUM-TD2.002	{3,1,1,5}

drive	-	3	hcart	1	DOWN	-	IBM.ULTRIUM-TD1.003	{3,1,0,6}
drive	-	3	hcart	1	UP	-	IBM.ULTRIUM-TD1.003	{3,1,1,6}
drive	-	4	hcart	2	UP	-	IBM.ULTRIUM-TD1.004	{3,1,0,7}
drive	-	4	hcart	2	UP	-	IBM.ULTRIUM-TD1.004	{3,1,1,7}
drive	-	5	hcart2	2	UP	-	IBM.ULTRIUM-TD2.005	{3,1,2,1}
drive	-	6	hcart2	1	UP	-	IBM.ULTRIUM-TD2.006	{3,1,2,2}



tpreq

NAME

tpreq - request a tape volume for mounting and associate a file name with the assigned drive

SYNOPSIS

```
install_path\Volmgr\bin\tpreq -m media_id [-a accessmode] [-d density]  
[-p poolname] [-f] filename
```

DESCRIPTION

This command initiates a mount request for a tape volume on a removable media device. The information that you specify with this command identifies and registers the specified file as a logical identifier for the mount request with Media Manager and manages access to the volume.

Media Manager automatically mounts the media if it is in a robotic drive. Otherwise, an operator mount request appears in the Device Monitor window. tpreq will not complete normally in the case of a mount request for a robotic drive, if operator intervention is required. These requests also appear in the Device Monitor window.

When the operation is complete, use the tpmount command to remove the file name from the directory in which the file was created.

You must have administrator privileges to execute this command.

OPTIONS

-m *media_id*

Specifies the media ID of the volume to be mounted. You can enter the ID in upper or lowercase; Media Manager converts it to uppercase.

-a *accessmode*

Specifies the access mode of the volume. Valid access modes are w and r. If the access mode is w (write), the media must be mounted with write enabled. The default is r (read), which means the media may be write protected.

-d *density*

Specifies the density of the drive. This option determines the type of drive on which the tape volume is mounted. The default density is dlt.

Valid densities for NetBackup Enterprise Server follow:

4mm for 4-mm cartridge, 8mm for 8-mm cartridge, 8mm2 for 8-mm cartridge 2, 8mm3 for 8-mm cartridge 3, dlt for DLT cartridge, dlt2 for DLT cartridge 2, dlt3 for DLT cartridge 3, hcart for 1/2 Inch cartridge, hcart2 for 1/2 Inch cartridge 2, hcart3 for 1/2 Inch cartridge 3, qscsi for 1/4-inch cartridge.

The following applies only to NetBackup Enterprise Server:

The half-inch cartridge densities (hcart, hcart2, and hcart3) can be used to distinguish between any supported half-inch drive types. However, tape requests can only be assigned to drives of the associated media type. For example, a tape request with density hcart2 specifying a media ID with media type HCART2 will be assigned to an hcart2 drive. Likewise, a tape request with density hcart specifying an media ID with media type HCART will be assigned to an hcart drive. The same rules apply to the DLT densities (dlt, dlt2, and dlt3) and the 8MM densities (8mm, 8mm2, and 8mm3).

Valid densities for NetBackup Server follow:

4mm for 4-mm cartridge, 8mm for 8-mm cartridge, dlt for DLT cartridge, hcart for 1/2 Inch cartridge, qscsi for 1/4-inch cartridge.

The mount request must be performed on a drive type that satisfies the density.

-p *poolname*

Specifies the volume pool where the volume resides. *poolname* is case sensitive. The default is None.

-f *filename*

Specifies the file to be associated with the volume.

The file name can be a single name or a complete path. If you specify only a file name, the file is created in the current working directory. If you specify a path, the file is created in the directory named in the path. *filename* cannot be an existing file.

If the tpreq command is successful, Media Manager creates a file with the name that you specified. This file contains the name of the tape device where the media is mounted. Do not delete this file. Use the tpunmount command to remove it.

Specifying -f before *filename* is optional.



tpunmount

NAME

tpunmount - removes a tape volume from a drive and tape file from the directory

SYNOPSIS

```
install_path\Volmgr\bin\tpunmount [-f] filename [-force]
```

DESCRIPTION

tpunmount removes a tape file from the directory and physically removes the tape volume from the drive (if the media was mounted).

Standalone drives are *not* unloaded when the DO_NOT_EJECT_STANDALONE option is specified (and the -force option is *not* specified). This option is now stored in EMM.

The tape file and the device must be closed before you can use tpunmount.

You must have administrator privileges to execute this command.

OPTIONS

-f *filename*

Specifies the file associated with the media. You must specify a file name. Specifying -f before *filename* is optional.

-force

Ejects the volume from a standalone drive, even if DO_NOT_EJECT_STANDALONE was specified in the EMM.

EXAMPLE

The following command unmounts the tape volume associated with file `tape1` and removes the file from the current directory:

```
tpunmount tape1
```


verifytrace

NAME

verifytrace – trace debug logs for verify job[s]

SYNOPSIS

```
install_path\NetBackup\bin\admincmd\verifytrace [-master_server
name] -job_id number [-start_time hh:mm:ss] [-end_time
hh:mm:ss] mmddy [mmddy _]
```

```
install_path\NetBackup\bin\admincmd\verifytrace [-master_server
name] -backup_id id [-start_time hh:mm:ss] [-end_time
hh:mm:ss] mmddy [mmddy _]
```

```
install_path\NetBackup\bin\admincmd\verifytrace [-master_server
name] [-policy_name name] [-client_name name]
[-start_time hh:mm:ss] [-end_time hh:mm:ss] mmddy
[mmddy _]
```

DESCRIPTION

The `verifytrace` command consolidates the debug log messages for the specified verify job[s] and writes them to standard output. The messages will be sorted by time. `verifytrace` will attempt to compensate for time zone changes and clock drift between remote servers and clients.

At a minimum, you must enable debug logging for

`install_path\NetBackup\bin\admin` directory on the master server, and for `bpbrm`, `bptm/bpdm` and `tar` on the media server. For best results, set the verbose logging level to 5 and enable debug logging for `bpdbm` on the master server and `bpacd` on all servers and clients in addition to the processes already identified.

If either `-job_id` or `-backup_id` is specified, `verifytrace` uses this option as the sole criteria for selecting the verify job[s] it will trace. The options `-policy_name` or `-client_name` cannot be used in conjunction with `-job_id` or `-backup_id`. If `-job_id` or `-backup_id` are not specified then all verify jobs that match the specified selection criteria will be selected. If none of the options namely, `-job_id`, `-backup_id`, `-policy_name` or `-client_name` is specified, then all the verify jobs executed on the days specified by day stamps (*mmddy*) will be traced. If `-start_time`/`-end_time` options are used then the debug logs in the specified time interval are examined.

If `verifytrace` is started with the `-backup_id id` option then `verifytrace` looks for a verify job started using `bpverify` with `-backup_id id` option where the backup ids (*id*) match.



If `verifytrace` is started with the `-policy_name name` option then `verifytrace` will look for a verify job started via `bpverify` with `-policy_name name` option where the policy names (*name*) match.

If `verifytrace` is started with the `-client_name name` option then `verifytrace` will look for a verify job started via `bpverify` with `-client_name name` option where the client names (*name*) match.

`verifytrace` writes error messages to standard error.

You must have administrator privileges to execute this command.

OPTIONS

- `-master_server`
Name of the master server. Default is the local host name.
- `-job_id`
Job ID number of the verify job to analyze. Default is any job id.
- `-backup_id`
Backup ID number of the backup image verified by the verify job to analyze. Default is any backup ID.
- `-policy_name`
Policy name of the verify jobs to analyze. Default is any policy.
- `-client_name`
Client name of the verify jobs to analyze. Default is any client.
- `-start_time`
Earliest time stamp to start analyzing the logs. Default is 00:00:00.
- `-end_time`
Latest time stamp to finish analyzing the logs. Default is 23:59:59.
- `mmddyy`
One or more “day stamps”. This identifies the log file names (log.mmddyy for UNIX, mmddyy.log for Windows) that will be analyzed.

OUTPUT FORMAT

The format of an output line is:

```
<daystamp>.<millisecs>.<program>.<sequence> <machine> <log_line>
```

`daystamp`
The day of the log in `yyyymmdd` format.

`millisecs`
The number of milliseconds since midnight on the local machine.

program	The name of program (ADMIN, BPBRM, BPCD, etc.) being logged.
sequence	Line number within the debug log file.
machine	The name of the NetBackup server or client.
log_line	The line that actually appears in the debug log file.

EXAMPLES

Example 1

The following example analyzes the log of verify job with job ID 2 executed on August 6, 2002.

```
verifytrace -job_id 2 080602
```

Example 2

The following example analyzes the log of verify jobs that verify backup image with backup id *pride_1028666945* executed on *20th August 2002*. This command would analyze only those verify jobs, which were executed with option *-backupid pride_1028666945*.

```
verifytrace -backup_id pride_1028666945 082002
```

Example 3

The following example analyzes the log of verify jobs executed on policy *Pride-Standard* and client *pride* on August 16, 2002 and August 23, 2002. This command would analyze only those verify jobs, which were executed with options *-policy Pride-Standard* and *-client pride*.

```
verifytrace -policy_name Pride-Standard -client_name pride 081602  
082302
```

Example 4

The following example analyzes the log of all verify jobs that are executed on August 5, 2002 and August 17, 2002.

```
verifytrace 080502 081702
```



vltcontainers

NAME

vltcontainers - Move volumes logically into containers

SYNOPSIS

```
install_path\NetBackup\bin\vltcontainers  
-run [-rn robot_number]  
-run -usingbarcodes [-rn robot_number]  
-run -vltcid container_id -vault vault_name -sessionid  
      session_id  
-run -vltcid container_id -f file_name [-rn robot_number]  
      [-usingbarcodes]  
-view [-vltcid container_id]  
-change -vltcid container_id -rd return_date  
-delete -vltcid container_id  
-version
```

DESCRIPTION

vltcontainers logically adds media ejected from one or more vault sessions to containers. vltcontainers also can view, set, or change the return date of containers that are going off-site or are already at the off-site vault. vltcontainers can delete a container from the NetBackup and Media Manager catalogs.

You can add media IDs to containers as follows:

- ◆ Use the keyboard to enter the container and media IDs.
- ◆ Use a keyboard interface bar code reader to scan the container and media IDs. (Keyboard interface readers are also known as keyboard *wedge* readers because they connect (or wedge) between the keyboard and the keyboard port on your computer.)
- ◆ Use an input file that contains the media IDs or numeric equivalents of bar codes of all the media that will be added to one container. To add media to more than one container, you must enter the IDs using the keyboard or a keyboard interface bar code reader or you must invoke the vltcontainers command again and specify different container and filename options.
- ◆ Add all the media ejected by a specific session to one container. To add media from a single eject session into more than one container, you must enter the IDs using the keyboard or a keyboard interface bar code reader.

The `vltcontainers` command must be invoked from a NetBackup master server licensed for Vault.

If a directory named `install_path\netbackup\logs\vault` with public-write access exists, `vltcontainers` will write to the daily debug log file (`log.DDMMYY` where `DDMMYY` is the current date) in this directory. Public-write access is required because not all executable files that write to this file run as administrator or root user.

OPTIONS

- `-change`
Changes the default return date for the container. The default return date of a container is the date of the volume in the container that will be returned the latest. Requires the `-vltcid container_id` option and argument.
- `-delete`
Deletes the container record from the NetBackup and Media Manager catalogs. You can delete a container only if it contains no media. Requires the `-vltcid container_id` option and argument.
- `-f file_name`
Specifies the file from which to read media IDs. All media listed in the file will be added to the container specified by the `-vltcid` option. The file can be a list of media IDs (one per line) or the numeric equivalents of bar codes (one per line) scanned into a file by a bar code reader.
- `-rd return_date`
Specifies the return date for the container. The return date format depends on the locale setting.
- `-rn robot_number`
Specifies the robot, which is used to determine the EMM Server from which the `vltcontainers` command should obtain media information. If `-rn robot_number` is not used, the master server is considered as the EMM server. Only media in the database on the EMM server can be added to containers.
- `-run`
Logically adds media to the container. If you specify no other options, you must enter the container and media IDs by using the keyboard. To use a bar code reader to scan the container and media IDs, specify the `-usingbarcodes` option. To add the media ejected by a specific session, use the `-vault vault_name` and `-sessionid session_id` options. To add the media specified in a file, use the `-f file_name` option. To specify a EMM server other than the master server, use the `-rn robot_number` option.



- `-sessionid session_id`
The ID of a vault session. All media ejected by the session specified will be added to the container specified by the `-vltcid` option.
- `-usingbarcodes`
Specifies that a keyboard interface bar code reader will be used to scan the container IDs and media IDs or that bar code numbers are used in the file specified by the `-f file_name` option. Keyboard interface bar code readers (also called keyboard wedge bar code readers) connect between the keyboard and the keyboard port on your computer.
- `-vault vault_name`
The name of the vault to which the profile that ejected the media belongs. You also must specify the ID of the session (`-sessionid`) that ejected the media to be added to the container.
- `-version`
Display the vltcontainers version and exit.
- `-view [-vltcid container_id]`
Shows the return date assigned to all containers. Use the `-vltcid container_id` option and argument to show the return date of a specific container.
- `-vltcid container_id`
Specifies the container ID. Container ID can be a string of up to 29 alphanumeric characters (no spaces). When changing a container return date, requires the `-rd return_date` option and argument.

EXAMPLES

Example 1:

To add the volumes ejected from robot number 0 to containers and use a bar code reader to scan the container and media IDs, use the following command:

```
vltcontainers -run -usingbarcodes -rn 0
```

Example 2

To view the return date of container ABC123, use the following command:

```
vltcontainers -view -vltcid ABC123
```

Example 3

To change the return date of container ABC123 to December 07, 2004, use the following command:

```
vltcontainers -change -vltcid ABC123 -rd 12/07/2004
```

Example 4



To delete container ABC123 from the NetBackup and Media Manager catalogs, use the following command:

```
vltcontainers -delete -vltcid ABC123
```

Example 5

To add all media ejected by session 4 of vault MyVault_Cntrs to container ABC123, use the following command:

```
vltcontainers -run -vltcid ABC123 -vault MyVault_Cntrs -sessionid 4
```

Example 6

To add media listed in file C:\home\jack\medialist that are ejected from robot number 0 to container ABC123, use the following command:

```
vltcontainers -run -vltcid ABC123 -f C:\home\jack\medialist -rn 0
```

Example 7

To add media to container ABC123 that was ejected from a robot that is attached to the master server and read the bar codes for that media from file C:\home\jack\medialist, use the following command:

```
vltcontainers -run -vltcid ABC123 -f C:\home\jack\medialist  
-usingbarcodes
```

RETURN VALUES

Vault may exit with a status code greater than 255. Such status codes are called extended exit status codes. For such a case, the exit status returned to the system is 252, and the actual exit status is written to `stderr` in the format `EXIT status = exit status`

The extended exit status values are documented in the *NetBackup Troubleshooting Guide for UNIX and Windows* and in the *NetBackup Troubleshooting Wizard*.

FILES

```
install_path\NetBackup\vault\sessions\cntrDB  
install_path\NetBackup\db\vault\vault.xml  
install_path\netbackup\logs\vault
```

NOTES

The format that you use for date and time option values varies according to your locale setting. The examples in this command description are for a locale setting of C.



SEE ALSO

vltadm, vltoffsitemedia, vltopmenu

vlteject

NAME

vlteject - Eject media and/or generate reports for previously run sessions

SYNOPSIS

The syntax for the command is:

```
install_path\NetBackup\bin\vlteject
-eject [-profile profile_name] [-robot robot_name] [-vault
      vault_name [-sessionid id]] [-auto y|n] [-eject_delay
      seconds]
-report [-profile profile_name] [-robot robot_name] [-vault
      vault_name [-sessionid id]] [-legacy]
-eject -report [-profile profile_name] [-robot robot_name]
      [-vault vault_name [-sessionid id]] [-auto y|n]
      [-eject_delay seconds] [-version] [-legacy]
-preview [-profile profile_name] [-robot robot_name] [-vault
      vault_name [-sessionid id]]
```

DESCRIPTION

vlteject ejects media and generates the corresponding reports (as configured in the profiles) for vault sessions for which media have not yet been ejected. vlteject can process the pending ejects and/or reports for all sessions, for a specific robot, for a specific vault, or for a specific profile. To process all pending ejects and/or reports, do not use the -profile, -robot, or -vault option.

vlteject operates only on sessions for which the session directory still exists. After that directory is cleaned up (removed by NetBackup), vlteject can no longer eject or report for that session.

Depending on how it is called it can run interactively or not. Running interactively is most useful when you will be ejecting more media than will fit in the media access port.

Do not modify your vault configuration while vlteject is running.

vlteject can be run in any of the following ways:

- ◆ Directly from the command line
- ◆ By NetBackup policy scheduling. The policy must be of type Vault, and the policy's file list must consist of a vlteject command.
- ◆ By using vltopmenu to run an eject operation or a consolidated eject or consolidated report operation



If a directory named *install_path*\netbackup\logs\vault with public-write access exists, vlteject will write to the daily debug log file (log.DDMMYY where DDMMYY is the current date) in this directory. Public-write access is required because not all executable files that write to this file run as administrator or root user. The host property **Keep vault logs for n days** determines how long the vault session directories are retained.

This command can be executed by authorized users. For more information about NetBackup authorization, refer to "Enhanced Authorization and Authentication" in the *NetBackup System Administrator's Guide*.

OPTIONS

- auto *y|n*
Specifies automatic (y) or interactive mode (n). In automatic mode (y), vlteject runs without input from the user and does not display output. In interactive mode (n, the default), vlteject runs interactively, accepting input and displaying output.
- eject
Eject media for the indicated sessions. This is optional in case eject has been completed and only generating reports is desired.
- eject_delay *seconds*
The number of seconds to delay before ejecting. This is desirable if an operation such as backing up or duplication has just occurred on the affected media. The default is 0. The maximum is 3600 (one hour).
- help
Displays a synopsis of command usage when it is the only option on the command line.
- legacy
Generates reports using the old-style consolidation. Valid only with the -report option.
- preview
Lists the sessions and the media that will be ejected for the sessions. Does not eject the media.
- profile *profile_name*
The name of a profile or a robot number, vault, and profile for which to eject media and/or generate reports. If profile is used without robot and vault, the profile must be unique. To process all pending ejects and/or reports, do not use the -profile, -robot, or -vault option.
- report
Generate reports for the indicated sessions. If the corresponding eject process has been completed, pending reports from the sessions selected are generated and distributed; the reports will not be generated again if

vlteject is run again. If eject has not been completed, the subset of reports that do not depend on completion of eject will be generated; these reports will be generated again if vlteject -report is run again after eject has been completed.

-robot *robot_name*

The robot for which to eject media and/or generate reports. All vaults in the robot should use the same off-site volume group. To process all pending ejects and/or reports, do not use the -profile, -robot, or -vault option.

-sessionid *id*

The numeric session ID. If the -profile, -robot, or -vault option is specified but the -session *id* option is not specified, vlteject will operate on all sessions for the specified profile, robot, or vault.

-vault *vault_name*

The vault for which to eject media and/or generate reports. To process all pending ejects and/or reports, do not use the -profile, -robot, or -vault option.

-version

Display the vlteject version and exit.

EXAMPLES

Example 1

To eject media and generate reports for all robots that have sessions for which media have not yet been ejected, enter the following:

```
vlteject -eject -report
```

Example 2

To eject all media that have not yet been ejected for all sessions for the CustomerDB vault and to generate corresponding reports, enter the following:

```
vlteject -vault CustomerDB -eject -report
```

RETURN VALUES

Vault may exit with a status code greater than 255. Such status codes are called extended exit status codes. For such a case, the exit status returned to the system is 252, and the actual exit status is written to `stderr` in the format, `EXIT status = exit status`

The extended exit status values are documented in the *NetBackup Troubleshooting Guide for UNIX and Windows* and in the *NetBackup Troubleshooting Wizard*.



FILES

install_path\NetBackup\db\vault\vault.xml

install_path\NetBackup\logs\bpbrmvlr\mmdyy.log

install_path\NetBackup\logs\vault\mmdyy.log

install_path\NetBackup\vault\sessions\vault_name\sidxxx\detail.log

install_path\NetBackup\vault\sessions\vault_name\sidxxx\summary.log

install_path\NetBackup\vault\sessions\vault_name\sidxxx\vlteject.status

install_path\NetBackup\vault\sessions\vlteject.mstr

install_path\NetBackup\bp.conf

SEE ALSO

vltopmenu

vltinject

NAME

vltinject - inject volumes into a robot for a specified vault configuration

SYNOPSIS

```
install_path\NetBackup\bin\vltinject profile | robot/vault/profile [-version]
```

DESCRIPTION

vltinject injects volumes into a robot and updates the Enterprise Media Manager Database. It accomplishes this by running the `vmupdate` command, giving it the robot number, robot type, and robotic volume group from the vault configuration matching the specified profile.

If you create a directory named `install_path\netbackup\logs\vault` with public-write access, vltinject will create a daily debug log called `log.DDMMYY` (where `DDMMYY` is the current date) file in this directory that can be used for troubleshooting. Public-write access is needed because not all executables that write to this file run as root.

This command can be executed by authorized users. For more information about NetBackup authorization, refer to "Enhanced Authorization and Authentication" in the *NetBackup System Administrator's Guide*.

OPTIONS

```
profile | robot/vault/profile
```

The name of a profile or a robot number, vault, and profile nested within the vault configuration file. If *profile* is used without *robot* and *vault*, the profile must be unique. vltinject executes `vmupdate` with the robot number, robot type, and robotic volume group from this profile's configuration.

```
-version
```

Display the vltinject version and exit.

EXAMPLE

Example 1

To inject volumes that were vaulted by the Payroll profile and that have been returned from the offsite vault, the user would enter the following:

```
vltinject Payroll
```

Example 2



To inject volumes that were vaulted by the Weekly profile in the Finance vault and that have been returned from the offsite vault, the user would enter the following:

```
vltinject 8/Finance/Weekly
```

RETURN VALUES

0 The EMM Database was successfully updated.

not = 0 There was a problem updating the EMM Database.

Vault may exit with a status code greater than 255. Such status codes are called extended exit status codes. For such a case, the exit status returned to the system is 252, and the actual exit status is written to `stderr` in the format, `EXIT status = exit status`

The extended exit status values are documented in the NetBackup *Troubleshooting Guide* and in the NetBackup *Troubleshooting Wizard*.

FILES

```
install_path\NetBackup\logs\vault\mmdyy.log
```

vltoffsitemedia

NAME

vltoffsitemedia - list the offsite parameter values for a group of media, or change the offsite parameter value for a single media.

SYNOPSIS

```
install_path\NetBackup\bin\vltoffsitemedia -list [-W] [-vault
    vault_name] [-voldbhost host_name]
```

```
install_path\NetBackup\bin\vltoffsitemedia -change -m media_id
    [-voldbhost host_name] [-d media_description]
    [-vltname vault_name] [-vltsent date] [-vltreturn date]
    [-vltslot slot_no] [-vltcid container_id] [-vltsession
    session_id]
```

```
install_path\NetBackup\bin\vltoffsitemedia -version
```

DESCRIPTION

Allows the user to change the vault-specific parameters of a given media. This allows the user to change one or more parameters using a single command. It allows the user to view the various vault parameters of all media for a particular EMM server or vault.

If you create a directory named:

UNIX: /usr/opensv/netbackup/logs/vault

Windows: *install_path*\netbackup\logs\vault

with public-write access, vltoffsitemedia will create a daily debug log called log.DDMMYY (where DDMMYY is the current date) file in this directory that can be used for troubleshooting. Public-write access is needed because not all executables that write to this file run as root.

OPTIONS

-change

Change the attributes of the specified volume.

-d *media_description*

Specifies the description for the volume.

To configure NetBackup so that the media description field is cleared automatically when volumes are returned to the robot, set the VAULT_CLEAR_MEDIA_DESC parameter in EMM.



- `-list`
Lists the off-site parameters for the media in the local EMM database. To restrict the list to a specific vault for the local EMM database, include the `-vault` option with the command. To list the off-site parameters for media for a specific EMM database, include the `-voldbhost` option with the command.
- `-m media_id`
Media ID of the volume whose vault parameters are to be changed.
- `-vault vault_name`
Name of the vault for which all media ids and their vault-specific parameters are to be listed.
- `-version`
Display the vloffsitemedia version and exit.
- `-vltcid container_id`
Specifies the container in which a volume is stored. *container_id* (a string of up to 29 alphanumeric characters (no spaces)) specifies the new container for the volume. You must specify an existing container ID. You cannot assign media from one EMM server to a container that has media from a different EMM server. Use the `-m` option to specify the media ID of the volume.
- `-vltname vault_name`
Specifies the name of the logical vault configured for the robot that ejected the volume.
- `-vltreturn date`
Specifies the date and time the media was requested for return from the vault vendor. For Catalog Backup volumes, this is the date that the media will be requested for return from the vault vendor.
The format of *date* depends on the user's locale setting. See the NOTES section for more information. For the C locale, the date syntax is as follows:
mm/dd/yyyy [hh[:mm[:ss]]]
- `-vltsent date`
Specifies the date and time the media was sent to the offsite vault.
The format of *date* depends on the user's locale setting. See the NOTES section for more information. For the C locale, the date syntax is as follows:
mm/dd/yyyy [hh[:mm[:ss]]]
- `-vltsession session_id`
Specifies the identifier of the Vault session that ejected this media.

- vltslot `slot_no`
Specifies the vault vendor's slot number for the slot that this volume occupies.
- voldbhost `host_name`
Name of the EMM server.
- W
Specifies parsable output format for the media off-site parameters. For containers, the output includes the length of the container description, the container description, and the container ID. The output header line is a space separated line of column labels; the output data lines are space separated fields.

EXAMPLES

Example 1

The following command will change the vault name and the vault sent dates of the media with the ID BYQ123:

```
vloffsitemedia -change -m BYQ123 -vltname THISTLE -vltsent
08/01/2003 12:22:00
```

Example 2

The following command will change the vault slot number to 100 for a media with ID 000012:

```
vloffsitemedia -change -m 000012 -vltslot 100
```

Example 3

The following command can be used to clear out the vault-specific fields for a media:

```
vloffsitemedia -change -m 000012 -vltname "" -vltsession 0
-vltslot 0 -vltsent 0 -vltreturn 0
```

or:

```
vloffsitemedia -change -m 000012 -vltname - -vltsession 0
-vltslot 0 -vltsent 00/00/00 -vltreturn 00/00/00
```

Example 4

To change the container ID and media description of volume ABC123:

```
vloffsitemedia -change -m ABC123 -vltcid Container001 -d "Media
Added By Jack"
```

Example 5

To clear the container ID and media description of volume ABC123:



```
vloffsitemedia -change -m ABC123 -vltcid - -d ""
```

or:

```
vloffsitemedia -change -m ABC123 -vltcid "" -d ""
```

The `vloffsitemedia` command uses the Media Manager commands to query/update the EMM database. If the `vloffsitemedia` command fails, look at the debug log in the `install_path\netbackup\logs\vault` directory for detailed information about the actual Media Manager command that failed. Status codes returned by Media Manager commands are documented in Chapter 5 of the NetBackup *Troubleshooting Guide*, Media Manager Status Codes and Messages.

RETURN VALUES

Vault may exit with a status code greater than 255. Such status codes are called "extended exit status codes". For such a case, the exit status returned to the system is 252, and the actual exit status is written to `stderr` in the format, `EXIT status = exit status`

The extended exit status values are documented in the NetBackup *Troubleshooting Guide* and in the NetBackup Troubleshooting Wizard.

NOTES

The format that you use for date and time option values varies according to your locale setting. The examples in this command description are for a locale setting of C.

vltopmenu

NAME

vltopmenu - Start the NetBackup Vault menu interface for operators

SYNOPSIS

```
install_path\NetBackup\bin\vltopmenu [-version]
```

DESCRIPTION

Allows the user to invoke a menu screen containing the various options that an Operator of the NetBackup Vault feature can use. It allows the user to eject or inject media, print various reports individually or collectively, as well as consolidate all reports and ejects for all sessions which have not yet ejected media. This interface can be used from any character-based terminal (or terminal emulation window) for which the user has a termcap or terminfo definition.

See the NetBackup *Operator's Guide* for detailed operating instructions.

This command can be executed by authorized users. For more information about NetBackup authorization, refer to "Enhanced Authorization and Authentication" in the *NetBackup System Administrator's Guide*.

OPTIONS

-version

Display the vltopmenu version and exit.

RETURN VALUES

Vault may exit with a status code greater than 255. Such status codes are called extended exit status codes. For such a case, the exit status returned to the system is 252, and the actual exit status is written to `stderr` in the format, `EXIT status = exit status`

The extended exit status values are documented in the NetBackup *Troubleshooting Guide* and in the NetBackup *Troubleshooting Wizard*.

FILES

```
install_path\NetBackup\vault\sessions\vlteject.mstr
```

```
install_path\NetBackup\vault\sessions\vlteject_status.log.timestamp
```

```
install_path\NetBackup\vault\sessions\*\sid*\detail.log
```



vltrun

NAME

vltrun - Run a NetBackup Vault session

SYNOPSIS

```
install_path\NetBackup\bin\vltrun profile | robot/vault/profile  
[-preview] [-verbose|-v] [-version] [-help]
```

DESCRIPTION

vltrun drives a NetBackup Vault session by issuing a sequence of calls to the vault engine. Optionally, the session can include callouts to user-provided notify scripts.

OPTIONS

profile | *robot/vault/profile*

The name of a profile or a nested robot number, vault, and profile in the vault parameter file. If *profile* is used without *robot* and *vault*, the profile must be unique within the vault parameter file. This option is required.

-preview

Generate the Preview list of images to be vaulted in a vault session. The results go to the file `preview.list` in the session directory.

-verbose | -v

Report verbosely on the session in the vault debug log.

-version

Display the vltrun version and exit.

-help

Displays a synopsis of command usage when it is the only option on the command line.

USAGE

The vltrun session follows this sequence:

- ◆ Run the `vlt_start_notify` script
- ◆ Inventory media
- ◆ Initialize Enterprise Media Manager Database for vault media returned to the robot
- ◆ Generate the list of preview images to be vaulted
- ◆ Duplicate images

- ◆ Inventory Enterprise Media Manager Database (first time)
- ◆ Assign media for the NetBackup catalog backup
- ◆ Inventory Enterprise Media Manager Database (second time)
- ◆ Inventory images
- ◆ Suspend media
- ◆ Run the `vlt_end_notify` script
- ◆ Re-inventory images
- ◆ Assign slot IDs
- ◆ Backup the NetBackup catalog
- ◆ Inventory the Enterprise Media Manager Database (third and final time)
- ◆ Run the `vlt_ejectlist_notify` script
- ◆ Generate the eject list
- ◆ Run the `vlt_starteject_notify` script
- ◆ Eject and report
- ◆ Run the `vlt_end_notify` script

`vltrun` can be run in any of the following ways:

- ◆ directly from the command line;
- ◆ by NetBackup policy scheduling. In this case, the policy must consist of type Vault, and the policy's file list must consist of a `vltrun` command;
- ◆ by running the command `Start Session` for a profile in the Vault GUI or `vltadm`.

`vltrun` uses the option `profile|robot/vault/profile` to run a vault session. You can use the `profile` form of the option if there is no other profile with the same name in your vault configuration. In this case, the profile name is sufficient to uniquely identify the configuration information.

If there is more than one profile with the same name, then use the `robot/vault/profile` form to uniquely identify the configuration.

Do not modify your vault configuration while a vault session is running.

When the session starts, it creates a directory to hold the files created by `vltrun` and the vault engine during the session.

The vault session directory is

`install_path\NetBackup\vault\sessions\vault_name\sidxxx` where `xxx` is an integer uniquely assigned to this session. For each vault name, session identifiers are sequentially assigned, starting with 1.



If you have configured an email address in your vault properties, then email will be sent to this address at the end of the session, reporting the results. By default, email is sent to root.

vltrun produces an overview of the session, called `summary.log`, in the session directory.

You can control vault processing at several points in the session by installing notify scripts in the directory for NetBackup binaries, `/usr/opensv/netbackup/bin`. Refer to the *NetBackup Vault System Administrator's Guide* for more information on notify scripts.

You can monitor the progress of your vltrun session in the NetBackup Activity Monitor. The Operation field on the main Activity Monitor window shows the progress of your vault session:

- ◆ Choosing Images
- ◆ Duplicating Images
- ◆ Choosing Media
- ◆ Catalog Backup
- ◆ Eject and Report
- ◆ Done

If you create a directory named `install_path\NetBackup\logs\vault` with public-write access, vltrun will create a daily debug log called `log.DDMMYY` (where *DDMMYY* is the current date) file in this directory that can be used for troubleshooting. Public-write access is needed because not all executables that write to this file run as root.

You can adjust the level of logging information provided in this log file by adjusting the vault logging level parameter on the **Logging** page of the master server's properties via **Host Properties** on the NetBackup Console.

You must have administrator privileges on the master server to execute this command.

EXAMPLES

Example 1

To vault the profile `my_profile`, enter:

```
vltrun my_profile
```

Example 2

The following command vaults the images for robot 0, vault Financials, and profile Weekly:

```
vltrun 0/Financials/Weekly
```

RETURN VALUES

Vault may exit with a status code greater than 255. Such status codes are called extended exit status codes. For such a case, the exit status returned to the system is 252, and the actual exit status is written to `stderr` in the format, `EXIT status = exit status`

The extended exit status values are documented in the NetBackup *Troubleshooting Guide* and in the NetBackup *Troubleshooting Wizard*.

FILES

`install_path\NetBackup\vault`

`install_path\NetBackup\bp.conf`

`install_path\NetBackup\logs\bpbrmvt\mmdyy.log`

`install_path\NetBackup\logs\bpcd\mmdyy.log`

`install_path\NetBackup\logs\vault\mmdyy.log`

`install_path\NetBackup\db\vault\vault.xml`

`install_path\NetBackup\vault\sessions\vault_name\sidxxx`

`install_path\NetBackup\vault\sessions\vault_name\sidxxx\summary.log`

`install_path\NetBackup\vault\sessions\vault_name\sidxxx\detail.log`

SEE ALSO

`vltadm`, `vlteject`, `vltinject`, `vltoffsitemedia`, `vltopmenu`



vmadd

NAME

vmadd - Add volumes to the Enterprise Media Manager database.

SYNOPSIS

```
install_path\Volmgr\bin\vmadd -m media_id -mt media_type [-h  
EMM_server | volume_database_host] [-verbose] [-b  
barcode] [-rt robot_type] [-rn robot_number] [-rh  
robot_host] [-rc1 rob_slot] [-rc2 rob_side] [-p pool_number]  
[-mm max_mounts | -n cleanings] [-op optical_partner] [-d  
"media_description"]
```

DESCRIPTION

Add volumes to the Enterprise Media Manager (EMM) Database.

This command can be executed by any authorized users. For more information about NetBackup authorization, refer to "Enhanced Authorization and Authentication" in the *NetBackup System Administrator's Guide* or the *NetBackup Media Manager System Administrator's Guide*.

OPTIONS

-m *media_id*

Specifies the media ID of the volume to add. The media ID can be a maximum of 6 ASCII characters. The actual character input is restricted to alpha numerics and '.', '+', '_', and '-' if they are not the first character.

The following applies only to NetBackup Enterprise Server:

If you are adding an optical disk, specify the media ID for the A side of the optical platter. Media IDs for an API robot type (ACS, TLH, TLM, or) must always match the barcodes.

-mt *media_type*

Specifies the media type of the volume to add.

Valid media types for NetBackup Enterprise Server follow:

4mm, 8mm, 8mm2, 8mm3, dlt, dlt2, dlt3, dtf, hcart, hcart2, hcart3, odiskwm, odiskwo, qcart, 4mm_clean, 8mm_clean, 8mm2_clean, 8mm3_clean, dlt_clean, dlt2_clean, dlt3_clean, dtf_clean, hcart_clean, hcart2_clean, hcart3_clean.

Valid media types for NetBackup Server follow:

4mm, 8mm, dlt, hcart, qcart, 4mm_clean, 8mm_clean, dlt_clean, hcart_clean.

-
- h *EMM_server* | *volume_database_host*
This option is only applicable for NetBackup Enterprise Server.
 The name of the Enterprise Media Manager database host which contains information about volumes. If no host is specified, the configured EMM server is used by default. For communicating with pre-NetBackup 6.0 systems not in the EMM domain, this is the EMM server.
 For systems prior to NetBackup 6.0, you should ensure that the host specified matches the EMM server name associated with the robot or set of standalone drives, as indicated in the device configuration.
- verbose
 Selects verbose mode.
- b *barcode*
 Specifies the barcode attached to the volume.
- rt *robot_type*
 Specifies the robot type of the robot where the volume is located.
Valid robot types for NetBackup Enterprise Server follow:
 none, acs, odl, tl4, tl8, tld, tlh, tlm, tsh.
Valid robot types for NetBackup Server follow:
 none, tl4, tl8, tld.
- rn *robot_number*
 Unique, logical identification number for the robot where the volume is located.
- rh *robot_host*
 Name of the host which controls the robot, where the volume is located.
- rc1 *rob_slot*
 Robot coordinate 1 is the slot number in the robot where the volume is located.
The following applies only to NetBackup Enterprise Server:
 Do not enter slot information for Media Manager API robot types. The robot software tracks the slot locations for these robots.
- rc2 *rob_side*
This option is only applicable for NetBackup Enterprise Server.
 Robot coordinate 2 is the platter side for optical disks (A or B).
- p *pool_number*
 Index of the volume pool which will contain this volume. You can use `vmpool -listall` to determine the index for a given pool name.



- mm *max_mounts*
Maximum number of mounts allowed for this volume. Only used for non-cleaning media. When this limit is exceeded, the volume can be mounted for read operations only.
- n *cleanings*
Number of cleanings remaining for this volume. Only used for cleaning media.
- op *optical_partner*
This option is only applicable for NetBackup Enterprise Server.
If this is an optical disk, specify the media ID of the opposite side of the optical platter.
- d "*media_description*"
Media description of the volume. The double quote marks are required if the description contains any spaces.

EXAMPLES

The following command adds volume AJU244 in the NetBackup volume pool to the EMM database on the host named llama.

The volume, with a barcode of AJU244, is in slot 2 of TLD robot 1. For write operations, the volume may be mounted a maximum of 1000 times.

The following point applies only to NetBackup Server:

There is only one host (the master), so the -h option is not needed.

Note This command is usually entered on only one line.

```
vmadd -m AJU244 -mt dlt -h llama -b AJU244 -rt tld -rn 1 -rh llama  
-rc1 2 -p 1 -mm 1000 -d "vmadd example"
```

NOTES

Only limited validation of the option parameters is done.

SEE ALSO

vmchange, vmdelete, vmpool, vmquery

vmchange

NAME

vmchange - change media information in the Enterprise Media Manager database

SYNOPSIS

Change volume group residence

```
install_path\Volmgr\bin\vmchange [-h EMM_server |
                                volume_database_host] -vg_res -rt robot_type -rn
                                robot_number -rh robot_control_host -v volume_group
```

Change volume residence

```
install_path\Volmgr\bin\vmchange [-h EMM_server |
                                volume_database_host] -res -m media_id -mt media_type -rt
                                robot_type -rn robot_number -rh robot_control_host -v
                                volume_group -rc1 rob_slot [-rc2 rob_side]
```

Change volume expiration date

```
install_path\Volmgr\bin\vmchange [-h EMM_server |
                                volume_database_host] -exp date -m media_id
```

Change the barcode for a volume

```
install_path\Volmgr\bin\vmchange [-h EMM_server |
                                volume_database_host] -barcode barcode -m media_id [-rt
                                robot_type]
```

Change the container ID for a volume by media ID

```
install_path\Volmgr\bin\vmchange [-h EMM_server |
                                volume_database_host] -m media_id -vltcid
                                vault_container_id
```

Change the container ID for a volume by bar code

```
install_path\Volmgr\bin\vmchange [-h EMM_server |
                                volume_database_host] -barcode barcode -vltcid
                                vault_container_id
```

Change the media description for a volume

```
install_path\Volmgr\bin\vmchange [-h EMM_server |
                                volume_database_host] -d "media_description" -m media_id
```

Associate this volume with a different pool

```
install_path\Volmgr\bin\vmchange [-h EMM_server |
                                volume_database_host] -p pool_number -m media_id
```



Change a volume's maximum mount count

```
install_path\Volmgr\bin\vmchange [-h EMM_server |  
                                volume_database_host] -maxmounts max_mounts -m media_id
```

Change a volume's number of cleanings

```
install_path\Volmgr\bin\vmchange [-h EMM_server |  
                                volume_database_host] -clean cleanings_left -m media_id
```

Change a volume's number of mounts count

```
install_path\Volmgr\bin\vmchange [-h EMM_server |  
                                volume_database_host] -n num_mounts -m media_id
```

Change a volume's media type

```
install_path\Volmgr\bin\vmchange [-h EMM_server |  
                                volume_database_host] -new_mt media_type -m media_id
```

Change a volume's robot type

```
install_path\Volmgr\bin\vmchange [-h EMM_server |  
                                volume_database_host] -new_rt robot_type -m media_id -rn  
robot_number
```

Change a volume's group

```
install_path\Volmgr\bin\vmchange [-h EMM_server |  
                                volume_database_host] -new_v volume_group [-m media_id | {-b  
barcode -mt media_type -rt robot_type}]
```

Change a volume's vault name

```
install_path\Volmgr\bin\vmchange [-h EMM_server |  
                                volume_database_host] -vltname vault_name -m media_id
```

Change the date the volume was sent to the vault

```
install_path\Volmgr\bin\vmchange [-h EMM_server |  
                                volume_database_host] -vltsent date -m media_id
```

Change the date when the volume returns from the vault

```
install_path\Volmgr\bin\vmchange [-h EMM_server |  
                                volume_database_host] -vltreturn date -m media_id
```

Change a volume's vault slot number

```
install_path\Volmgr\bin\vmchange [-h EMM_server |  
                                volume_database_host] -vltslot vault_slot -m media_id
```

Change the volume's vault session id

```
install_path\Volmgr\bin\vmchange [-h EMM_server |
volume_database_host] -vltsession vault_session_id -m media_id
```

Move (eject) volumes from an ACS, TLH, or TLM robot to standalone

```
install_path\Volmgr\bin\vmchange -api_eject -map map_id:mapid:...:mapid
| any -w [-h EMM_server | volume_database_host] -res -ml
media_id:media_id:...:media_id -rt robot_type -rn robot_number
-rh robot_control_host [-v volume_group]
```

Move (eject) multiple volumes from a TL8 or TLD robot to standalone

```
install_path\Volmgr\bin\vmchange -multi_eject -w [-h EMM_server |
volume_database_host] -res -ml media_id:media_id:...:media_id
-rt robot_type -verbose -rn robot_number -rh
robot_control_host
```

Move (inject) multiple volumes into a TL8 or TLD robot

```
install_path\Volmgr\bin\vmchange -multi_inject -w -res -rt
robot_type -verbose -rn robot_number -rh robot_control_host
```

Get robot information for a TL8 or TLD robot type

```
install_path\Volmgr\bin\vmchange -res -robot_info -verbose -rn
robot_number -rt robot_type -rh robot_control_host
```

DESCRIPTION

Change volume information in the Enterprise Media Manager database.

This command can be executed by any authorized users. For more information about NetBackup authorization, refer to "Enhanced Authorization and Authentication" in the *NetBackup System Administrator's Guide* or the *NetBackup Media Manager System Administrator's Guide*.

OPTIONS

-h *EMM_server* | *volume_database_host*

This option is only applicable for NetBackup Enterprise Server.

The name of the Enterprise Media Manager database host which contains information about volumes.. If no host is specified, the configured EMM server is used by default. For communicating with pre-6.0 systems not in the EMM domain, this is the EMM server.

-vg_res

Change volume group residence.

-rt *robot_type*

Specifies the robot type of the robot where the volume is located.

Valid robot types for NetBackup Enterprise Server follow:



none, acs, odl, tl4, tl8, tld, tlh, tlm, tsh.

Valid robot types for NetBackup Server follow:

none, tl4, tl8, tld.

- rn *robot_number*
Unique, logical identification number for the robot where the volume is located.
- rh *robot_control_host*
Name of the host which controls the robot, where the volume is located.
- v *volume_group*
A volume group is a logical grouping that identifies a set of volumes that reside at the same physical location.
- res
Change the volume's residence.
- m *media_id*
Specifies the media ID of the volume to change.
- mt *media_type*
Specifies the media type of the volume to change.
Valid media types for NetBackup Enterprise Server follow:
4mm, 8mm, 8mm2, 8mm3, dlt, dlt2, dlt3, dtf, hcart, hcart2, hcart3, odiskwm, odiskwo, qcart, 4mm_clean, 8mm_clean, 8mm2_clean, 8mm3_clean, dlt_clean, dlt2_clean, dlt3_clean, dtf_clean, hcart_clean, hcart2_clean, hcart3_clean.
Valid media types for NetBackup Server follow:
4mm, 8mm, dlt, hcart, qcart, 4mm_clean, 8mm_clean, dlt_clean, hcart_clean.
- rc1 *rob_slot*
Robot coordinate 1 is the slot number in the robot where the volume is located.
The following applies only to NetBackup Enterprise Server:
Do not enter slot information for API robot types. The robot software tracks the slot locations for these robots.
- rc2 *rob_side*
This option is only applicable for NetBackup Enterprise Server.
Robot coordinate 2 is the platter side for optical disks (A or B).
- exp *date*
Expiration date for this volume.

The format of *date* depends on the user's locale setting. See the NOTES section for more information. For the C locale, the date syntax is as follows:

mm/dd/yyyy [hh[:mm[:ss]]]

- barcode *barcode*
Specifies the barcode attached to the volume.
- d "*media_description*"
Media description for the volume. The double quote marks are required if the description contains any spaces.
- p *pool_number*
Index of the volume pool which will contain this volume. You can get the pool index using `vmpool -listall`.
- maxmounts *max_mounts*
Maximum number of mounts allowed for this volume. Only used for non-cleaning media.
- n *num_mounts*
For non-cleaning media, *num_mounts* is the number of times this volume has been mounted.
- clean *cleanings left*
For cleaning media, *cleanings left* is the number of cleanings left for this cleaning tape.
- new_mt *media_type*
Specifies the media type of the volume to change. See the `-mt` option for a list of media types.
- new_rt *robot_type*
Specifies the robot type. See the `-rt` option for a list of robot types.
- new_v *volume_group*
A volume group is a logical grouping that identifies a set of volumes that reside at the same physical location.
- b *barcode*
Specifies the barcode attached to the volume.
- vltcid *vault_container_id*
Change the container in which a volume is stored.
vault_container_id (a string of up to 29 alphanumeric characters) specifies the new container for the volume. Use the `-m` or `-barcode` option to specify the volume.



- `-vltname` *vault_name*
Specifies the name of the logical vault configured for the robot that ejected the volume.
- `-vltsent` *date*
Specifies the date the volume was sent offsite.
The format of *date* depends on the user's locale setting. See the NOTES section for more information. For the C locale, the date syntax is as follows:
mm/dd/yyyy [hh[:mm[:ss]]]
- `-vltreturn` *date*
Specifies the date the volume was requested for return from the vault vendor. For catalog backup volumes, this is the date that the volume will be requested for return from the vault vendor.
The format of *date* depends on the user's locale setting. See the NOTES section for more information. For the C locale, the date syntax is as follows:
mm/dd/yyyy [hh[:mm[:ss]]]
- `-vltslot` *vault_slot*
Specifies the vault vendor's slot number for the slot that this volume occupies.
- `-vltsession` *vault_session_id*
Specifies the id of the vault session that ejected this media.
- `-api_eject`
Eject ACS, TLH, or TLM volumes from the specified robot. For ACS and TLM robots, the ejection timeout period is one week. For TLH robots, the robot allows an unlimited period to remove media.
- `-map` *map_id:mapid: ...:mapid | any*
For ACS robots, this option can specify multiple media access ports (MAPs) to use for eject operations. The *map_id* (also known as the CAP ID) can be `all` or `ALL`, which specifies all MAPs in the robot, or a colon separated list of MAP IDs in the format of `ACS,LSM,CAP`. When the `-map` option is used, media are ejected to the MAPs specified using a nearest MAP algorithm. The algorithm assumes that the LSMs are connected in a line; if your LSMs are connected in a configuration other than a line, see *Adjacent LSM Specification for ACS Robots and Media Access Port Default for ACS Robots in the NetBackup Media Manager System Administrator's Guide*.
For TLM robots, use *map_id* "ANY" to eject to the MAP configured for each media type on the DAS/SDLC server.

For TLH robots, select the “standard” MAP or the “BULK” MAP, depending on the library’s hardware configuration.

- w
Wait flag. This flag must be used with the eject, multiple eject, and multiple inject commands.
- verbose
Selects verbose mode.
- ml *media_id:media_id: ...:media_id*
Specifies a list of media to be ejected from the robot.
- multi_eject
This option is valid only for TL8 and TLD robot types. Use the robotic library’s media access port to eject multiple volumes. The ejection timeout period is 30 minutes.
- multi_inject
This option is valid only for TL8 and TLD robot types. Used the robotic library’s media access port to inject multiple volumes.
- robot_info
Used to retrieve information about a robotic library. This option is valid only for TLD and TL8 robot types

CAUTIONS

Some robotic libraries implement different functionality for their media access ports. For example, some libraries have front-panel inject and eject features that conflict with NetBackup’s use of the media access port (for example, Spectra Logic Bullfrog). Other libraries require front-panel interaction when using the media access port (for example, Spectra Logic Gator).

If you are using an eject option and the media is not removed and a time-out condition occurs, the media is returned to (injected into) the robot. If this occurs, you should inventory the robot and then eject the media that was returned to the robot.

Make sure you read the operator manual for your robotic library to gain an understanding of its media access port functionality. Libraries such as the ones noted may not be fully compatible with NetBackup’s inject and eject features if not properly handled. Other libraries may not be compatible at all. In addition, VERITAS performs limited validation of these option parameters.

EXAMPLES

Example 1

The following command changes the expiration date of volume AJS100:

```
vmchange -exp 12/31/99 23:59:59 -m AJS100
```



Example 2

The following command changes the pool (which contains volume AJS999) to pool 1 (which is the NetBackup pool):

```
vmchange -p 1 -m AJS999
```

Example 3

The following command ejects volumes abc123 and abc124 from ACS robot number 700. The residences for these two volumes are changed to standalone.

```
vmchange -res -api_eject -w -ml abc123:abc124 -rt acs -rn 700 -rh  
verbena -map 0,0,0
```

Example 4

The following command changes the container ID of volume ABC123:

```
vmchange -vltcid Container001 -m ABC123
```

NOTES

The format that you use for date and time option values varies according to your locale setting. The examples in this command description are for a locale setting of C.

SEE ALSO

vmadd, vmdelete, vmpool, vmquery

vmcheckxxx

NAME

vmcheckxxx - Report the media contents of a robotic library

SYNOPSIS

```
install_path\Volmgr\bin\vmcheckxxx -rt robot_type -rn robot_number [-rh
robot_host] [-h EMM_server | volume_database_host] [[-if
inventory_filter_value] [-if inventory_filter_value] ...] [-full]
[-list]
```

DESCRIPTION

Report the media contents of a robotic library and optionally compare its contents with the volume configuration.

If no options are specified, the media contents of the robot and the volume configuration are listed along with a list of any mismatches detected.

This command can be executed by any authorized users. For more information about NetBackup authorization, refer to "Enhanced Authorization and Authentication" in the *NetBackup System Administrator's Guide* or the *NetBackup Media Manager System Administrator's Guide*.

OPTIONS

- rt *robot_type*
Specifies the robot type of the robot to inventory.
Valid robot types for NetBackup Enterprise Server follow:
none, acs, odl, tl4, tl8, tld, tlh, tlm, tsh.
Valid robot types for NetBackup Server follow:
none, tl4, tl8, tld.
- rn *robot_number*
Unique, logical identification number of the robot to inventory.
- rh *robot_host*
Name of the host which controls the robot. If no host is specified, the host where you execute this command is assumed.
- h *EMM_server* | *volume_database_host*
This option is only applicable for NetBackup Enterprise Server.
The name of the Enterprise Media Manager database host which contains information about the volumes in a robot. If no host is specified, the configured EMM server is used by default. For communicating with



pre-NetBackup 6.0 systems not in the EMM domain, this is the EMM server. If no host is not specified, but a pre-NetBackup 6.0 robotic control host is specified on the `-rh` option, the robotic control host will be used as the EMM server.

`-if` *inventory_filter_value*

This option is only applicable for NetBackup Enterprise Server.

Specifies inventory filter values. Multiple `-if` options may be specified. The inventory filter value is an ACS scratch pool ID, or a TLH volume category.

The `-if` and `-full` options cannot be specified together.

`-full`

Specifies full inventory. The `-full` and `-if` options cannot be specified together.

`-list`

Lists the robot contents.

NOTES

Only limited validation of the option parameters is done.

EXAMPLES

The following command lists the media contents of TLD robot 1 and the volume configuration for that robot on the host named server2, along with a list of any mismatches that are detected:

```
vmcheckxxx -rt tld -rn 1 -rh server2
```

The following command lists the contents of TLH robot 2 that is connected to the host where the `vmcheckxxx` command was executed:

```
vmcheckxxx -rt tlh -rn 2 -list
```

SEE ALSO

`vmupdate`

vmdelete

NAME

vmdelete - Delete volumes from the Enterprise Media Manager database

SYNOPSIS

```
install_path\volmgr\bin\vmdelete [-h EMM_server |  
volume_database_host] [-m media_id | -v volume_group]
```

DESCRIPTION

Delete volumes from the Enterprise Media Manager database.

This command can be executed by any authorized users. For more information about NetBackup authorization, refer to "Enhanced Authorization and Authentication" in the *NetBackup System Administrator's Guide* or the *NetBackup Media Manager System Administrator's Guide*.

OPTIONS

- h *EMM_server* | *volume_database_host*
This option is only applicable for NetBackup Enterprise Server.
The name of the Enterprise Media Manager database host which contains information about volumes. If no host is specified, the configured EMM server is used by default. For communicating with pre-NetBackup 6.0 systems not in the EMM domain, this is the EMM server.
- m *media_id*
Specifies the media id of the volume to delete from the volume database.
- v *volume_group*
Specifies the volume group to delete. All volumes in this group are deleted from the volume database.

NOTES

Only limited validation of the option parameters is done.

EXAMPLES

The following command deletes a single volume:

```
vmdelete -m AJS144
```

The following command deletes all volumes with the volume group name of DELETE_ME:

```
vmdelete -v DELETE_ME
```



SEE ALSO

vmadd, vmchange, vmquery

vmopr cmd

NAME

vmopr cmd - Perform operator functions on drives

SYNOPSIS

Device Host commands

```
install_path\Volmgr\bin\vmopr cmd -devmon [pr | ds | hs] default
operation
```

```
install_path\Volmgr\bin\vmopr cmd -dp [pr | ds | ad] [-h
device_host]
```

Up/Down/Reset drive commands

```
install_path\Volmgr\bin\vmopr cmd -down | -up | -upopr | -reset
drive_index [-h device_host]
```

```
install_path\Volmgr\bin\vmopr cmd -downbyname | -upbyname |
-upoprbyname | -path drive_path] [-nh ndmp_hostname]
[-h device_host]
```

```
install_path\Volmgr\bin\vmopr cmd -resetbyname drive_name [-h
device_host]
```

Assign mount request to drive commands

```
install_path\Volmgr\bin\vmopr cmd -assign drive_index
mount_request_id [-h device_host]
```

```
install_path\Volmgr\bin\vmopr cmd -assignbyname drive_name
mount_request_id [-h device_host]
```

Deny or resubmit mount request command

```
install_path\Volmgr\bin\vmopr cmd -deny | -resubmit
mount_request_index [-h device_host]
```

Comment the drive command

```
install_path\Volmgr\bin\vmopr cmd -comment drive_index
["comment"] [-h device_host]
```

```
install_path\Volmgr\bin\vmopr cmd -commentbyname drive_name
["comment"] [-h device_host]
```

SCSI release of SSO drive command

```
install_path\Volmgr\bin\vmopr cmd -crawlreleasebyname drive_name
[-h EMM_Server]
```



Activate/Deactivate host command

```
install_path\Volmgr\bin\vmopr cmd [-activate_host |  
-deactivate_host] [-h device_host]
```

Get host status command

```
install_path\Volmgr\bin\vmopr cmd -hoststatus [-h device_host]
```

Display usage command

```
install_path\Volmgr\bin\vmopr cmd -help
```

The following usage is provided for backward compatibility only:

```
install_path\Volmgr\bin\vmopr cmd [-h volume_database_host] {-d [pr  
| ds | ad] | -dps [drive_name]}
```

DESCRIPTION

Perform operator functions on drives. The `-h` option is not required, but you must choose one and only one of the other options listed below.

Non NDMP Windows device paths will be displayed as {p,b,t,l} where p is the port, b is the bus, t is the target and l is the lun. When `vmopr cmd` is invoked using the `-path` argument, the path should be specified in the {p,b,t,l} format.

This command can be executed by any authorized users. For more information about NetBackup authorization, refer to "Enhanced Authorization and Authentication" in the *NetBackup System Administrator's Guide* or the *NetBackup Media Manager System Administrator's Guide*.

OPTIONS

- assign *drive_index mount_request_id*
Assign a drive to a mount request.
- assignbyname *drive_name mount_request_id*
This option is similar to the `-assign` option, except the drive is specified by the drive name instead of drive index.
The following point applies only to NetBackup Server:
The device host is the host where Media Manager is installed.
- comment *drive_index ["comment"]*
Add a comment for the drive. The quotes are required if your comment contains any spaces. If you do not specify *comment*, any existing comments for the drive are deleted.
- commentbyname *drive_name ["comment"]*
This option is similar to the `-comment` option, except the drive is specified by the drive name instead of drive index.

`-crawlreleasebyname drive_name`

This option is only applicable for NetBackup Enterprise Server.

This option forces all hosts (that are registered to use the drive) to issue a SCSI release command to the drive. Issue this option on the host that is the SSO device allocator (DA host) or use the `-h` option to specify the DA host.

Caution Use this option after a PEND status has been seen in **Device Monitor**. Do not use this option during backups.

`-down | -up | -upopr | -reset drive_index`

`-down` Sets the drive to the DOWN state, if it is not assigned.

`-up` Sets the drive to UP in Automatic Volume Recognition (AVR) mode. This is the normal mode for all drives.

`-upopr` Sets the drive to UP in Operator (OPR) mode. This mode is normally used only for security reasons. For a drive in a robot, OPR and AVR are treated identically while the robot process is up.

`-reset` Resets the specified drive, terminating the drive assignment and taking control away from the assigned user.

Caution Do not reset an assigned drive unless directed by site policy or the system administrator. Terminating an active job can destroy user data.

`-downbyname | -upbyname | -upoprbyname | -resetbyname drive_name`

These options are similar to `-down`, `-up`, `-upopr`, and `-reset` respectively, except the drive is specified by the drive name instead of drive index.

`-deny | -resubmit mount_request_id`

`-deny` Denying a mount request returns an error message to the user.

`-resubmit` Resubmit a mount request. If a pending action message involves a robot, you must correct the problem and resubmit the request that caused the message.

`-d [pr | ds | ad]`

This command is supported for pre-NetBackup 6.0 systems. If none of the following optional display parameters are specified, all information is displayed.

`pr` Displays pending requests.

`ds` Displays the status of drives under control of Media Manager.

`ad` Displays additional status of drives under control of Media Manager.



- `-devmon` | `-dp` [`pr` | `ds` | `hs`]
The `-dp` command lists all of the drive paths that are configured for a given drive name. If none of the following optional display parameters are specified, all information is displayed.
- `pr` Displays pending requests.
 - `ds` Displays the status of drives under control of Media Manager.
 - `hs` Displays additional status of drives under control of Media Manager.
- `-dps` [*drive_name*]
Lists all of the drive paths that are configured for a given drive name..
- `-h` *EMM_Server* | *volume_database_host* | *device host*
Name of the Enterprise Media Manager database host where the drives are attached and configured. (For communicating with pre-6.0 systems not in the EMM domain, this is the EMM server.) If no host option is specified, the device host where you execute the command is default. The *device host* is the host where the device is attached and configured. The *volume_database_host* is the host where the device is attached and configured for pre-6.0 systems.
- `-help`
Displays the usage statement for this command.
- `-hoststatus`
Displays the current status of the host. Possible states that may be displayed are:
- DEACTIVATED - This state prevents any new jobs from starting on this host.
 - ACTIVE - The media server is available to run any jobs.
 - ACTIVE-DISK - The media server is available to run jobs for disk storage units only.
 - ACTIVE-TAPE - The media server is available to run jobs for tape storage units only.
 - OFFLINE - The media server is not available to run jobs for either tape or disk storage units. This state occurs because the media server is not active for tape or disk, or because the master server cannot communicate with the media server.
- `-nh` *ndmp_hostname*
Specifies the hostname of the NDMP server.
- `-activate_host`
Makes the host available to run jobs.

- deactivate *host*
Makes the host unavailable to run jobs.
- path *drivepath*
Specifies the system name for the drive. For example, /dev/rmt/0cbn.
- setpath *drivepath drive_name ndmp_hostname*
Specifies the system name and the drive name of the NDMP host.

NOTES

Only limited validation of the option parameters is done.

tpconfig -d, tpconfig -l, and vmopr cmd may truncate long drive names. Please use tpconfig -dl to obtain the full drive name.

vmopr cmd may truncate drive names to 20 characters.

EXAMPLES

Example 1

The following command sets the drive, with a drive index of 0, to UP mode:

```
vmopr cmd -up 0
```

Example 2

The following command displays the drive status of all drives:

```
vmopr cmd -d ds
```

Example 3

The following command displays pending requests and the drive status of all drives on the device host named crab:

```
vmopr cmd -h crab
```

Example 4

The following command demonstrates how non-NDMP Windows device paths will be displayed.

```
C:\Program Files\VERITAS\Volmgr\bin>vmopr cmd
```

```

                                HOST STATUS
Host Name                               Version      Host Status
=====

```



hamex 600000 ACTIVE

PENDING REQUESTS

<NONE>

DRIVE STATUS

Drive Name	Label	Ready	RecMID	ExtMID	Wr.Enbl.	Type
Host	DrivePath					Status
IBM.ULTRIUM-TD2.001	No	No			No	hcart2
hamex	{3,1,0,2}					TLD
hamex	{3,1,1,2}					TLD
IBM.ULTRIUM-TD2.002	No	No			No	hcart2
hamex	{3,1,0,5}					TLD
hamex	{3,1,1,5}					TLD
IBM.ULTRIUM-TD1.003	No	No			No	hcart
hamex	{3,1,0,6}					TLD
hamex	{3,1,1,6}					TLD
IBM.ULTRIUM-TD1.004	No	No			No	hcart
hamex	{3,1,0,7}					TLD
hamex	{3,1,1,7}					TLD
IBM.ULTRIUM-TD2.005	Yes	Yes	J945L2		Yes	hcart2
hamex	{3,1,2,1}					TLD
IBM.ULTRIUM-TD2.006	No	No			No	hcart2
hamex	{3,1,2,2}					TLD

C:\Program Files\VERITAS\Volmgr\bin>

C:\Program Files\VERITAS\Volmgr\bin>vmopr cmd -downbyname
IBM.ULTRIUM-TD1.003 -path {3,1,0,6}

C:\Program Files\VERITAS\Volmgr\bin

SEE ALSO

tpconfig(1M)



vmphyinv

NAME

vmphyinv - Physically inventory the media contents of a robotic library or standalone drive and update the volume database.

SYNOPSIS

```

install_path\volmgr\bin\vmphyinv -rn robot_number] [-rh
    robot_control_host] [-h device_host]

[-pn pool_name] [-v volume_group] [-rc1 robot_coord1 -number
    number]

[-drv_cnt count] [-non_interactive] [-mount_timeout timeout]
    [-verbose]

install_path\volmgr\bin\vmphyinv -rn robot_number] [-rh
    robot_control_host] [-h device_host]

-m1 media_id:media_id:...:media_id [-drv_cnt count]

[-non_interactive] [-mount_timeout timeout] [-verbose]

install_path\volmgr\bin\vmphyinv -rn robot_number] [-rh
    robot_control_host] [-h device_host]

[
{ { [-slot_range from to] [-slot_list s1:s2:...:sN] } -d
    density }
{ { [-slot_range from to] [-slot_list s1:s2:...:sN] } -d
    density }
]

[-drv_cnt count] [-non_interactive] [-mount_timeout timeout]
    [-verbose]

install_path\volmgr\bin\vmphyinv {-u drive_number | -n drive_name}
    [-h device_host]

[-non_interactive] [-mount_timeout timeout] [-verbose]

```



DESCRIPTION

Physically inventory the media contents of a robotic library or standalone drive and update the EMM database. `vmphyinv` mounts each media specified by the search criterion, reads the tape header, and updates the EMM database based on the information obtained from the tape header. For more information about this command, refer to the NetBackup Media Manager systems administrator's guide.

This command can be executed by authorized users. For more information about NetBackup authorization, refer to "Enhanced Authorization and Authentication" in the *NetBackup System Administrator's Guide* or the *NetBackup Media Manager System Administrator's Guide*.

OPTIONS

- `-rn robot_number`
Specifies the Media Manager robot number whose media will be inventoried. `robot_number` should correspond to a robot which has drives that have already been configured. `vmphyinv` inventories each of the media, having `robot_number` in the volume database of `robot_number`.
- `-rh robot_host`
Specified the name of the host that controls the robot. If no host is specified, the host where this command is executed is assumed.
- `-h device_host`
Specifies the device host name. This option is used to obtain the Enterprise Media Manager Server name. If not specified, the current host is used to obtain the EMM server name.
- `-pn pool_name`
Specifies the case-sensitive pool name of the volumes, corresponding to robot specified by the `-rn` option, which need to be inventoried. Valid only when the `-rn` option is specified.
- `-v volume_group`
Specifies the volume group of the volmes, corresponding to robot specified by the `-rn` option, which need to be inventoried. Valid only when the `-rn` option is specified.
- `-rc1 robot_coord1`
Specifies the starting slot of the media which needs to be inventoried. Valid only when the `-rn` option is specified.
- `-number number`
Specifies the number of slots starting from `robot_coord1` which need to be inventoried. Valid only when `-rn` and `-rc1` are also specified.

-
- `-ml media_id1:media_id2: ... :media_idN`
Specifies a list of media, which need to be inventoried. Valid only when `-rn` option is specified. If the media ID specified does not belong to the specified robot, the media will be skipped.
- `-slot_range from to`
Specifies a range of slots that need to be inventoried. If one or more slots are empty those slots are skipped.
- `-slot_list s1:s2:...sN`
Specifies a list of slots that need to be inventoried. If one or more slots are empty those slots are skipped.
- `-d density`
Specifies the density of the media. The user must specify the media density while inventorying the media by slot range/list.
- `-u drive_number`
Specifies the drive index that needs to be inventoried. The drive must contain media and be ready. The number for the drive can be obtained from the Media Manager device configuration.
- `-n drive_name`
Specifies the drive name that needs to be inventoried. The drive must contain media and be ready. The name for the drive can be obtained from the Media Manager device configuration.
- `-non_interactive`
vmphyinv, in the default mode displays a list of recommendation and ask for confirmation before modifying volume database and Enterprise Media Manager Database (if required). If this option is specified, the changes are applied without any confirmation.
- `-mount_timeout timeout`
Specifies the mount timeout in seconds. If the media cannot be mounted within the time specified, the mount request is cancelled. The default value is 15 minutes.
- `-drv_cnt count`
Specifies the maximum number of drives that can be used simultaneously by vmphyinv. The actual number of drives used by vmphyinv is determined by the total number of drives configured and this value. The number of drives used by vmphyinv is the minimum of the drive count specified and the total number of drives configured. The default is to use all the drives.



-verbose

Selects the verbose mode. When specified, more information (for example, the number of available drives, what is found on each tape, and catalog identification if the media is a catalog) is displayed to the caller. For more information about this option and the output it produces, refer to the *NetBackup Media Manager System Administrator's Guide*.

EXAMPLES

The following command updates the EMM database of robot 1 connected to host shark:

```
vmphyinv -rn 1 -rh shark
```

The following command updates the EMM database of robot 7 connected to host whale. Only the media belonging to the pool name "some_pool" will be inventoried:

```
vmphyinv -rn 7 -rh whale -pn some_pool
```

The following command updates the EMM database of robot 3 connected to host dolphin. Only the media A00001, A00002, A00003 will be inventoried.

```
vmphyinv -rn 3 -rh dolphin -ml A00001:A00002:A00003
```

The following command updates the EMM database of robot 2 of type TLD connected to host phantom. Only the media in slots 3 to 8 will be inventoried.

```
vmphyinv -rn 2 -rh phantom -slot_range 3 8 -d dlt
```

The following command updates the EMM database of standalone drive (drive index 3) attached to host tigerfish:

```
vmphyinv -u 0 -h tigerfish
```

SEE ALSO

vmupdate, vmcheckxxx, vmopr cmd

vmpool

NAME

vmpool - Manage volume pools

SYNOPSIS

```
install_path\Volmgr\bin\vmpool [-h EMM_server |
    volume_database_host] -listall [-b] | -listscratch |
    -list_catalog_backup_pool | -add pool_name "description"
    host uid gid | -change pool_name "description" host uid gid |
    -delete pool_name | -set_scratch pool_name |
    -unset_scratch pool_name | -set_catalog_backup_pool
    pool_name | -unset_catalog_backup_pool pool_name
```

DESCRIPTION

Use this command to add, change, delete, or list volume pools.

The `-h` option is not required, but you must choose one and only one of the other seven options (for example, `-listscratch`).

This command can be executed by any authorized users. For more information about NetBackup authorization, refer to "Enhanced Authorization and Authentication" in the *NetBackup System Administrator's Guide* or the *NetBackup Media Manager System Administrator's Guide*.

OPTIONS

- `-h EMM_server | volume_database_host`
This option is only applicable for NetBackup Enterprise Server.
 The name of the Enterprise Media Manager database host which contains information about volumes. If no host is specified, the configured EMM server is used by default. For communicating with pre-6.0 systems not in the EMM domain, this is the EMM server.
- `-listall [-b]`
 List information about all volume pools. You can use the `-b` option to specify a brief format for volume pool information.
- `-listscratch`
 List all configured scratch pools.
- `-list_catalog_backup_pool`
 Lists the volume pool to be used for catalog backup.
- `-add pool_name "description" host uid gid`
 Add a new volume pool.



-change *pool_name* "*description*" *host uid gid*
Change an existing volume pool.

-delete *pool_name*
Delete a volume pool.

"description"

Description of the volume pool. The double quote marks are required if the description contains any spaces.

host

Name of the host that will be permitted to request and use volumes in this volume pool.

The following applies only to NetBackup Enterprise Server:

To permit only a specific host to access the volume pool, enter the name of that host. To permit any host to access the volume pool, enter ANYHOST. Using the value ANYHOST is recommended.

The following applies only to NetBackup Server:

You can only specify the value ANYHOST.

uid

Enter the default value, -1 (ANY), to permit any user id to access the pool.

gid

Enter the default value, -2 (NONE), to permit only the user id specified by *uid* to request or access the volume pool.

-set_scratch *pool_name*

If *pool_name* is a previously defined volume pool, *pool_name* will become the scratch pool and its description will not be changed. The NetBackup, DataStore, Catalog Backup, and None volume pools cannot be changed to scratch pools.

If *pool_name* is a new volume pool, a new pool will be created with "Scratch Pool" as the description.

Only one scratch pool at a time can be defined.

-set_catalog_backup_pool *pool_name*

Enables you to use this volume pool to back up the NetBackup catalog. You can also create a dedicated catalog backup pool to be used for catalog policies. A dedicated catalog volume pool reduces the number of tapes needed during catalog restores since catalog backup media are not mixed with other backup media.

-unset_catalog_backup_pool *pool_name*

Enables you to define a volume pool that you do not want to use to back up the NetBackup catalog.

`-unset_scratch pool_name`
Undefines *pool_name* as the scratch pool and defines it as a regular volume pool. The pool can be deleted using `vmpool -delete pool_name`.

NOTES

Only limited validation of the option parameters is done.

uid and *gid* should only be used for restricting access to volumes by user or by group on UNIX hosts.

A pool cannot be both a scratch pool and Catalog Backup.

EXAMPLES

The following command adds a new pool named MyPool on the host named llama with the default host, user id, and group id permissions:

```
vmpool -add MyPool "my description with spaces" ANYHOST -1 -2
```

The following command lists all pools configured on the host where the command is executed:

```
vmpool -listall -b
```



vmquery

NAME

vmquery - Query the Enterprise Media Manager database, or assign and unassign volumes

SYNOPSIS

```
install_path\Volmgr\bin\vmquery [-h EMM_server, ... -h EMM_server |  
volume_database_host, ... -h volume_database_host] [-vltcid  
vault_container_id] [-W] [-b | -w] -a | -m media_id | -v  
volume_group | -rn robot_number | -rt robot_type | -mt  
media_type | -p pool_number | -pn pool_name | -res  
robot_type robot_number robot_host rob_slot rob_side |  
-assignbyid media_id media_type pool_number stat asg_time |  
-deassignbyid media_id pool_number stat
```

DESCRIPTION

Query the EMM database for volume information. The `-h`, `-b`, and `-w` options are not required, but you must choose only one of the other (eleven) options.

The `-b` or `-w` option can be used in conjunction with any of the other eleven options, but the `-b` or `-w` options cannot be specified together.

This command can be executed by any authorized users. For more information about NetBackup authorization, refer to "Enhanced Authorization and Authentication" in the *NetBackup System Administrator's Guide* or the *NetBackup Media Manager System Administrator's Guide*.

OPTIONS

`-h EMM_Server | volume_database_host`

This option is only applicable for NetBackup Enterprise Server.

The name of the Enterprise Media Manager database host which contains information about volumes. If no host is specified, the configured EMM server is used by default. For communicating with pre-NetBackup 6.0 systems not in the EMM domain, this is the EMM server.

`-b`

Specifies the brief output format for volume information. This option can be used in conjunction with any of the other eleven options.

`-w`

Specifies the wide output format for volume information. This option includes additional information not shown by the `-b` option and can be used in conjunction with any of the other eleven options.



- a Show all volumes.
- m *media_id*
Query volumes by media id. The media id is a maximum of 6 ASCII characters.
- v *volume_group*
Query volumes by volume group. A volume group is a logical grouping that identifies a set of volumes that reside at the same physical location.
- rn *robot_number*
Query volumes by robot number. A robot number is a unique, logical identification number for the robot where the volume is located.
- rt *robot_type*
Query volumes by the type of the robot where the volume is located.
Valid robot types for NetBackup Enterprise Server follow:
none, acs, odl, tl4, tl8, tld, tlh, tlm, tsh.
Valid robot types for NetBackup Server follow:
none, tl4, tl8, tld.
- mt *media_type*
Query volumes by media type.
Valid media types for NetBackup Enterprise Server follow:
4mm, 8mm, 8mm2, 8mm3, dlt, dlt2, dlt3, dtf, hcart, hcart2, hcart3, odiskwm, odiskwo, qcart, 4mm_clean, 8mm_clean, 8mm2_clean, 8mm3_clean, dlt_clean, dlt2_clean, dlt3_clean, dtf_clean, hcart_clean, hcart2_clean, hcart3_clean.
Valid media types for NetBackup Server follow:
4mm, 8mm, dlt, hcart, qcart, 4mm_clean, 8mm_clean, dlt_clean, hcart_clean.
- p *pool_number*
Query volumes by pool number. Pool number is an index into the volume pool. You can use `vmppool -listall` to determine the index for a given pool name.
- pn *pool_name*
Query volumes by pool name.
- res *robot_type robot_number robot_host rob_slot rob_side*
Query volumes by residence.
- robot_host*
Name of the host which controls the robot, where the volume is located.



rob_slot

This is the slot number in the robot (robot coordinate 1) where the volume resides.

rob_side

This is the platter side (robot coordinate 2) for optical disks (A or B). If the volume is not an optical disk, specify zero for *rob_side*.

`-assignbyid media_id media_type pool_number stat asg_time`
Assign volume by media id, pool, and status.

stat

Status applies only to volumes that are assigned to NetBackup or Storage Migrator.

A status of 0 means the volume is assigned to NetBackup regular backups.

A status of 1 means the volume is assigned to NetBackup catalog backups.

A status of 2 means the volume is assigned to Storage Migrator.

A status of 3 means the volume is assigned to Storage Migrator for Microsoft Exchange or Storage Migrator for Windows 2000.

asg_time

Applies only to volumes assigned to NetBackup or Storage Migrator.

asg_time is the time when the volume was assigned and is the number of seconds since 00:00:00 UTC, January 1, 1970. *asg_time* was originally created using the `time()` call.

`-deassignbyid media_id pool_number stat`

Unassign volume by media ID, pool, and status. Starting with NetBackup 6.0, this option can only deassign non-NetBackup media.

Non-NetBackup media includes media used by VERITAS Storage Migrator, VERITAS Data Lifecycle Manager, or by users working outside of the NetBackup policy framework (for example, those using `tpreq` directly). To deassign NetBackup tapes, use the `bpexpdate` command.

`-vltcid vault_container_id`

List the volumes that are stored in the container. *vault_container_id* can be a string of up to 29 alphanumeric characters.

`-W`

Specifies parsable output format for volume information. The output data lines are space separated fields except: the MediaID field is padded to 6 characters by adding spaces to the end of the string, the MediaType field is padded to 8 characters by adding spaces to the end of the string, and the MediaDescription field may contain spaces within the field. For Vault

containers, the output includes the length of the container description (DescriptionLength), the container description, and the container ID. The output header line is a space separated line of column labels.

NOTES

Only limited validation of the option parameters is done.

EXAMPLES

The following command lists all volume information, in brief format from the Enterprise Media Manager database on the host named llama:

```
vmquery -h llama -b -a
```

The following command assigns volume A23456, which is in pool 1 (NetBackup), and sets the status to 0 and the assign time to 12/31/98 15:50:22:

```
vmquery -assignbyid A23456 8mm 1 0 915141022
```

The following command unassigns volume A23456, which is in pool 2 (Storage Migrator), with a status of 0:

```
vmquery -deassignbyid A23456 0
```

SEE ALSO

vmadd, vmchange, vmdelete, vmpool



vmrule

NAME

vmrule - Manage barcode rules

SYNOPSIS

```
install_path\Volmgr\bin\vmrule [-h EMM_server | volume_database_host]  
-listall [-b] | -add barcode_tag media_type pool_name  
max_mounts "description" | -change barcode_tag media_type  
pool_name max_mounts "description" | -delete barcode_tag
```

DESCRIPTION

Use this command to add, change, delete, or list barcode rules. The `-h` option is not required, but you must chose one and only one of the other four options.

This command can be executed by any authorized users. For more information about NetBackup authorization, refer to "Enhanced Authorization and Authentication" in the *NetBackup System Administrator's Guide* or the *NetBackup Media Manager System Administrator's Guide*.

OPTIONS

`-h` *EMM_server* | *volume_database_host*

This option is only applicable for NetBackup Enterprise Server.

The name of the Enterprise Media Manager database host which contains information about the volumes in a robot. If no host is specified, the configured EMM server is used by default. For communicating with pre-NetBackup 6.0 systems not in the EMM domain, this is the EMM server.

`-listall` [-b]

List information about all barcode rules. You can use the `-b` option to specify a brief format for the barcode rule information that is displayed.

`-add` *barcode_tag media_type pool_name max_mounts "description"*

Add a new barcode rule.

`-change` *barcode_tag media_type pool_name max_mounts "description"*

Change a barcode rule.

`-delete` *barcode_tag*

Delete a barcode rule.

barcode_tag

Specifies the barcode prefix which will invoke the barcode rule.

media_type

Specifies the media type of the volume, a barcode rule attribute. This affects whether the rule will be used and also affects the media type for volumes added using a robot inventory update.

Valid media types for NetBackup Enterprise Server follow:

4mm, 8mm, 8mm2, 8mm3, dlt, dlt2, dlt3, dtf, hcart, hcart2, hcart3, odiskwm, odiskwo, qcart, 4mm_clean, 8mm_clean, 8mm2_clean, 8mm3_clean, dlt_clean, dlt2_clean, dlt3_clean, dtf_clean, hcart_clean, hcart2_clean, hcart3_clean.

Valid media types for NetBackup Server follow:

4mm, 8mm, dlt, hcart, qcart, 4mm_clean, 8mm_clean, dlt_clean, hcart_clean.

pool_name

Specifies the pool to which the volumes will be added.

max_mounts

Maximum number of mounts allowed for this volume (when the volume is added). This option is used only for non-cleaning media. When this limit is exceeded, the volume can only be mounted for read operations.

Note: Numbers larger than 99999 are stored in the database, but `vmrule` displays the *max_mounts* as 0 if the value is larger than 99999. A value of 0 means that the number of mounts is unlimited.

"description"

Description of the barcode rule. The double quote marks are required if the description contains any spaces.

NOTES

Only limited validation of the option parameters is done.

EXAMPLES

The following command creates a rule that defines any tape with a barcode starting with ABC is a DLT tape in the NetBackup pool. The tape can be mounted up to 100 times for writes and is given a description.

```
vmrule -add ABC dlt NetBackup 100 "DLT cleaning tape"
```

SEE ALSO

`vmupdate`



vmupdate

NAME

vmupdate - Inventory the media contents of a robotic library and update the Enterprise Media Manager database

SYNOPSIS

```
install_path\Volmgr\bin\vmupdate -rt robot_type -rn robot_number [-rh robot_host] [-h EMM_Server | volume_database_host] [[-if inventory_filter_value] [-if inventory_filter_value] ...] [-full] [-recommend] [-interactive] [-involgrp volume_group] [-outvolgrp volume_group] [-mt media_type] [-p pool_name] [-use_barcode_rules] [-use_seed] [-mp media_id_prefix] [-no_sides] [-no_format_optical] [-overwrite_labels] [-empty_map]
```

DESCRIPTION

Inventory the media contents of a robotic library and update the Enterprise Media Manager database. If no options are specified, the volume configuration is updated to match the robot contents.

This command can be executed by any authorized users. For more information about NetBackup authorization, refer to "Enhanced Authorization and Authentication" in the *NetBackup System Administrator's Guide* or the *NetBackup Media Manager System Administrator's Guide*.

OPTIONS

- rt *robot_type*
Specifies the robot type of the robot to inventory.
Valid robot types for NetBackup Enterprise Server follow:
none, acs, odl, tl4, tl8, tld, tlh, tlm, tsh.
Valid robot types for NetBackup Server follow:
none, tl4, tl8, tld.
- rn *robot_number*
Unique, logical identification number for the robot to inventory.
- rh *robot_host*
Name of the host which controls the robot. If no host is specified, the host where you execute this command is assumed.
- h *EMM_server* | *volume_database_host*
This option is only applicable for NetBackup Enterprise Server.

The name of the Enterprise Media Manager database host which contains information about the volumes in a robot. If no host is specified, the configured EMM server is used by default. For communicating with pre-NetBackup 6.0 systems not in the EMM domain, this is the EMM server. If no host is specified, but a pre-NetBackup 6.0 robotic control host is specified on the `-rh` option, the robotic control host will be used as the EMM server.

`-if` *inventory_filter_value*

This option is only applicable for NetBackup Enterprise Server.

Specifies inventory filter values. Multiple `-if` options may be specified. The inventory filter value is an ACS scratch pool ID, or a TLH volume category.

The `-if` and `-full` options cannot be specified together.

`-full`

Specifies full inventory. The `-full` and `-if` options cannot be specified together.

`-recommend`

Lists changes required to update the volume configuration.

`-interactive`

Prompts you before updating the volume configuration.

`-involgrp` *volume_group*

Specifies the volume group for media moved into the robot.

`-outvolgrp` *volume_group*

Specifies the volume group for media moved out of the robot.

`-mt` *media_type*

Specifies the media type of the volume.

Valid media types for NetBackup Enterprise Server follow:

4mm, 8mm, 8mm2, 8mm3, dlt, dlt2, dlt3, dtf, hcart, hcart2, hcart3, odiskwm, odiskwo, qcart, 4mm_clean, 8mm_clean, 8mm2_clean, 8mm3_clean, dlt_clean, dlt2_clean, dlt3_clean, dtf_clean, hcart_clean, hcart2_clean, hcart3_clean.

Valid media types for NetBackup Server follow:

4mm, 8mm, dlt, hcart, qcart, 4mm_clean, 8mm_clean, dlt_clean, hcart_clean.

`-p` *pool_name*

Specifies the name of the volume pool to which new media will be assigned.



- use_barcode_rules
Specifies that barcode rules will be used for assigning attributes to new media.
- use_seed
Specifies automatic generation of media IDs for media with no barcodes.
- mp *media_id_prefix*
Specifies the prefix that is used as a seed to generate new media IDs for media with no barcodes. This prefix should be between 1 and 5 characters in length and contain only valid media ID characters (alpha-num, "+", "_", ".", and "-" if it is not the first character).
- no_sides
Specifies that any new optical media IDs will not always contain platter side A or B.
- no_format_optical
Specifies to NOT format new optical media.
- overwrite_labels
Specifies that existing labels will be overwritten when formatting optical media.
- empty_map
Specifies that volumes in the media access port (map) will be moved into the robot before the robot inventory is started. This option is only valid for TL8, TLD, or TLM robot types.

NOTES

Only limited validation of the option parameters is done.

EXAMPLES

The following command updates the volume configuration on the EMM server named *mymaster* to match the contents of TLD robot 7 connected to the host *macris*:

```
vmupdate -rt tld -rn 7 -rh macris -h mymaster
```

SEE ALSO

vmcheckxxx

vopie_util

NAME

vopie_util - Manage local vopie authentication files

SYNOPSIS

```
install_path\NetBackup\bin\vopie_util [-log_dir path] [-severity
mask] [-debug] [-local_name name] [-always_write]
[-hashed | -unhashed] remote_name [sequence seed hash]
```

DESCRIPTION

The vopie_util program is available on Windows and UNIX NetBackup servers and clients. It updates the hashed (public) and unhashed (secret) key files for the vopie authentication method on the local system. Typically, vopie_util is used to synchronize the vopie key files between two systems. This command will not longer be supported at the next major release of NetBackup after the release of NetBackup 6.0.

OPTIONS

-log_dir *path*

Specifies the directory where the vopie_util log directory resides. The default is:

install_path\NetBackup\logs (Windows)

/usr/opensv/netbackup/logs (UNIX)

To enable logging, create a vopie_util directory in the *path* directory before starting vopie_util. For example:

C:\VERITAS\NetBackup\logs\vopie_util

-severity *mask*

Specifies the type of messages to be logged. *mask* is the sum of zero or more of these values:

1 Unknown

2 Debug

4 Information

8 Warning

16 Error

32 Critical

The default is 48 decimal (0x30 hexadecimal or 060 octal), which specifies critical and error.



- `-debug`
Specifies that additional information is logged to standard error.
- `-local_name name`
Specifies the name of the local system. The default is the network host name of the system. We recommend that this name match the NetBackup client name for the system.
- `-always_write`
Always update the file even if it already exists. The default is to not overwrite existing files.
- `-hashed`
Updates the hashed (public) key file. This file contains the challenges that this system presents to other systems during authentication. If the *sequence*, *seed*, and *hash* options described below are not specified, the hashed-key file data matches any secret key.
- `-unhashed`
Updates the unhashed (secret) key file. A secret key is randomly generated and written to the unhashed key file. The unhashed file contains the responses that the system returns when challenged by another system.
The corresponding hashed-key file data is displayed after running the command with this option.
- `remote_name`
Specifies the name of the remote system with which this one is being synchronized.
- `sequence seed hash`
Can be used with the `-hashed` option and specifies data that is written in the hashed (public) key file:
sequence is a decimal number between 10 and 499.
seed is a 6 to 20 character string.
hash is a 16 digit hexadecimal number.

EXAMPLES

Example 1

In this example, the vopie key files are set up so the first connection between systems red and blue is not fully authenticated. After the connection, the key files are updated so full authentication is required. This is the easiest way to synchronize the key files but it leaves a small window of insecurity.

1. On system red:
 - a. Create a secret key file on red by running the following command:

```
vopie_util -local_name red -unhashed blue
```

The public key (hashed) file information for red is displayed:

```
red 0167 jp0167 0aa47eae2d86231d
```

This information can be ignored in this example.
 - b. Create a public key file on red that will match any secret key on blue:

```
vopie_util -local_name red -hashed blue
```
2. On system blue:
 - a. Create a secret-key file on blue by running the following command:

```
vopie_util -local_name blue -unhashed red
```

The public key (hashed) file information for blue is displayed:

```
blue 0431 gw3251 0aa47eae2d86231d
```

This information can be ignored in this example.
 - b. Create a public key file on blue that will match any secret key on red by running the following command:

```
vopie_util -local_name blue -hashed red
```

Example 2

In this example, the vopie key files on systems green and yellow are synchronized. Full authentication is required immediately. This is a more secure method than in example 1.

1. On system green, create a secret key file on green by running the following command:

```
vopie_util -local_name green -unhashed yellow
```

The public key (hashed) file information for green is displayed:

```
green 0209 fz9365 f852019bde05e92f
```

yellow uses this key when it issues challenges.
2. On system yellow:



- a. Create a public key file on yellow that matches the secret key file on green by running the following (all on one line):

```
vopie_util -local_name yellow -hashed green 0209 fz9365  
f852019bde05e92f
```

- b. Create a secret key file on yellow by running the following by command:

```
vopie_util -local_name yellow -unhashed green
```

The public key (hashed) file information for yellow is displayed:

```
yellow 0468 yq0860 82723984b43bf474
```

green uses this key when it issues challenges.

3. On system green, create a public key file on green that matches the secret key file on yellow by running the following (all on one line):

```
vopie_util -local_name green -hashed yellow 0468 yq0860  
82723984b43bf474
```

SEE ALSO

bpauthsync, vopied

vopied

NAME

vopied - Daemon to provide VERITAS One-time Password user authentication

SYNOPSIS

```
install_path\NetBackup\bin\vopied [-standalone] [-debug] [-portnum
    number] [-max_time seconds] [-log_dir path] [-severity
    mask]
```

DESCRIPTION

This program is available on Windows and UNIX NetBackup clients. It accepts connections from remote NetBackup servers and clients that are attempting to verify the identity of requests from the local NetBackup system. The authentication method is VERITAS One-time Password (vopie). Normally, vopied is started by the NetBackup Client service on Windows and inetd on UNIX.

When you install NetBackup on a Windows client or UNIX client, the installation process adds entries for vopied to %System Root%\system32\drivers\etc\services on Windows and /etc/services and /etc/inetd.conf on UNIX.

The services entry looks like this:

```
vopied 13783/tcp      vopied
```

The inetd.conf entry on UNIX looks like this:

```
vopied stream tcp      nowait  root    /usr/openv/bin/vopied vopied
```

OPTIONS

-standalone

Available only on UNIX clients and specifies that vopied will run continuously rather than being started by inetd.

-debug

Available only on UNIX clients and implies -standalone (that is, vopied runs continuously). This option prevents vopied from forking and does not disconnect it from standard input, output, and error.

-portnum *number*

Available only on UNIX clients and implies -standalone (that is, vopied runs continuously). Specifies the port number where vopied listens for requests. The default is the vopied entry in:

```
/etc/services
```



- `-max_time` *seconds*
Specifies a time out value for network connections. The default is 60 seconds.
- `-log_dir` *path*
Specifies the directory where the vopied log directory resides. The default is:
install_path\NetBackup\logs (Windows)
/usr/opensv/netbackup/logs (UNIX)
To enable logging, create a vopied directory in the *path* directory before starting vopied. For example:
install_path\NetBackup\logs\vopied
- `-severity` *mask*
Specifies the type of messages to be logged. *mask* is the sum of zero or more of these values:
1 Unknown
2 Debug
4 Information
8 Warning
16 Error
32 Critical
The default is 48 decimal (0x30 hexadecimal), which specifies critical and error.

SEE ALSO

bpauthsync, vopie_util

vxlogcfg

NAME

vxlogcfg - Modifies unified logging configuration settings.

SYNOPSIS

```
install_path\NetBackup\bin\vxlogcfg -a -p ProductID -c ConfigPath
    -n Names [-q]

install_path\NetBackup\bin\vxlogcfg -a -p ProductID [-o
    OriginatorID ] -s keyname=value [-q]

install_path\NetBackup\bin\vxlogcfg -r -p ProductID [-o
    OriginatorID ] [-s keyname ] [-q]

install_path\NetBackup\bin\vxlogcfg -l [-p ProductID ] [-o
    OriginatorID ] [-q]

install_path\NetBackup\bin\vxlogcfg -v

install_path\NetBackup\bin\vxlogcfg -h
```

DESCRIPTION

Use the `vxlogcfg` command to change the logging settings for a product that uses unified logging, such as NetBackup.

Unified logging uses a standardized naming format for log files, as follows:

```
productID-originatorID-hostID-date-rotation.log
```

For more information about the unified logging naming format, and the logging originator ID's, refer to the *NetBackup Troubleshooting Guide for UNIX, Windows, and Linux*.

OPTIONS

Specify the product log configuration to modify. Use fully-qualified path names for all directory paths. If a directory name contains spaces, use quotes around the path name for that directory (for example, "Program Files").

`-a, --add`
 Modify the product's unified logging settings, in conjunction with other options on `vxlogcfg`. This is a required option.

Note Although this option can be used to add a product to the list of those using unified logging, it should not be used for that purpose (all existing log settings will be overwritten). Use this option only to modify existing unified logging settings. See examples.



`-r, --remove`
Remove the specified product from the list of products using unified logging and remove unified logging configuration settings for this product.

Note Although the `-r` option is available, *it should not be used*. All existing log settings will be removed and no further logging will take place.

`-l, --list`
Display the configuration settings that are defined. This is a required option.

`-c, --config ConfigPath`
Provide the path from which the product log configuration settings should be read.
On Windows, it should be the absolute path to the product log registry settings or log file, such as `install_path\NetBackup\nblog.conf` for NetBackup.
On UNIX, it should be the absolute path to the product log configuration file, such as `/usr/opensv/netbackup/nblog.conf` for NetBackup.
This is a required option.

`-n, --names Name`
Specify one or more abbreviated or short names for the product. Multiple names should be separated by a comma. This is a required option.

`-s, --setting keyname=value`
Set individual configuration settings. *keyname* is the configuration setting's name and *value* is the value for that setting. You can supply multiple *keyname=value* pairs separated by commas. See the KEYNAMES AND VALUES section for particular keynames and values. This is a required option.

`-s, --setting keyname`
While removing a configuration setting, provide only *keyname* with the `-r` option. Multiple settings can be removed by providing multiple `-s` options. See the KEYNAMES AND VALUES section for particular keynames.

`-p, --prodid ProductID`
Create/modify log configuration settings for a *productID*. This is a required option.

`-o, --orgid OrgID`
Create/modify log configuration settings for the specified originator ID. This is a required option. The Originator ID can be supplied as a valid originator ID (a number), it can be "Default," or it can be "ALL." If the

Originator ID is "Default" then the configuration settings given by `-s` are taken as the default settings. If the Originator ID is "ALL" then the configuration settings given by `-s` will be considered for all the originators of a given product ID.

- `-h, --help`
List and describe the command-line options available for this command. Optional.
- `-q, --quiet`
Do not display error or informational messages; quiet mode. Optional.
- `-v, --version`
Display the version information for this command. Optional.

KEYNAMES AND VALUES

Following are the keynames and values that can be specified on the `-s` option. For NetBackup, the `vxlogcfg` command places these keynames and values in the `/usr/opensv/netbackup/nblog.conf` file on UNIX and in `install_path\NetBackup\nblog.conf` on Windows. For PBX, these are placed in `/etc/vx/VxICS/icsul.conf` on UNIX and in the registry entry `SOFTWARE\VERITAS\VxICS\logcfg` on Windows.

Keynames and values for UNIX and Windows

- `LogDirectory`
Provides an absolute path to a directory.
- `DebugLevel`
Sets the verbosity level for the debug log messages. (Debug logs are intended for VERITAS engineers.) Valid values are 0 through 6.
- `DiagnosticLevel`
Sets the verbosity level for the diagnostic log messages. (Diagnostic logs are intended for NetBackup administrators and users.) Valid values are 0 through 6.
- `LogToStdout`
Sends all log messages to standard output (by default the terminal) in addition to sending them to the log file. Valid values are true, false.
- `LogToStderr`
Sends application log messages to Stderr (by default the terminal) in addition to sending them to the log file. Valid values are true, false.
- `LogToOslog`
Sends application log messages to the operating system log (`syslog` on UNIX and the Event Log on Windows). Valid values are true, false.



RolloverMode

Specifies when log files are rolled over. Rolling over a log file means closing the current log file and opening a new one, to keep log file size low and allow older log files to be deleted or archived. Valid values are `FileSize`, `LocalTime`, `Periodic`, and `None`.

`FileSize` indicates rollover occurs when the log reaches the size set by `MaxLogFileSizeKB`.

`LocalTime` indicates the log file should be rolled over once per day at a time specified by `RolloverAtLocalTime`.

`Periodic` indicates the log file should be rolled over after the number of seconds specified by `RolloverPeriodInSeconds`.

`None` indicates that log files will not be rolled over.

MaxLogFileSizeKB

Specifies the maximum size allowed for the log file (in kilobytes) before rollover occurs, if the `RolloverMode` is set to `FileSize`. Valid values are 1 through 4294967295.

RolloverPeriodInSeconds

Specifies a period of time in seconds after which the log file is rolled over, if the `RolloverMode` is set to `Periodic`. Valid values are 1 through 2147483648.

RolloverAtLocalTime

Specifies the time of day at which the log file is rolled over, if the `RolloverMode` is set to `LocalTime`. Valid values are 00:00 through 23:59.

NumberOfLogFiles

Specifies the maximum number of files to retain in the log directory for each unified logging originator. Valid values are 1 through 4294967295.

The `vxlogmgr --auto` command uses `NumberOfLogFiles` to determine how many log files to delete or move, starting with the oldest files. For example, if a log directory contains seven log files created by a particular originator, and `NumberOfLogFiles` is set to 5, the `vxlogmgr --auto --del` command will delete the two oldest files created by that originator.

OIDNames

Specifies one or more alternate names for the unified logging originator specified on the `-o` option. These names can be used in place of Originator IDs when performing searches using the `vxlogview` command. Each name can be up to 80 characters in length. Multiple names can be specified, separated by a space.

L10nLib

Specifies the absolute path and filename of the external localization library. This option is for VERTAS internal use only. Use of this option could disable unified logging.

L10nResource

Specifies the name of a localization resource associated with a unified logging product or originator. This option is for VERTAS internal use only. Use of this option could disable unified logging.

L10nResourceDir

This setting specifies the name of a localization resource directory associated with a unified logging product or originator. This option is for VERTAS internal use only. Use of this option could disable unified logging.

Keynames and values for UNIX only**LogFilePermissions**

An octal number specifying UNIX file permissions assigned to log files created by the originator that was specified by the `-o` option. In most cases, there should be no need to use this option.

SyslogIdent

Specifies a string that is attached to the beginning of every syslog message when `LogToOslog` is set to true. Can be any string up to 80 characters long. In most cases, there should be no need to use this option.

SyslogOpt

Specifies the syslog option value passed to the syslog openlog function. Log messages are directed to the UNIX syslog when `LogToSyslog` is enabled. Valid values are 0 through 4294967295. In most cases, there should be no need to use this option.

SyslogFacility

Specifies the syslog facility value associated with log messages directed to the syslog. Log messages are directed to the UNIX syslog when `LogToSyslog` is enabled. In most cases, there should be no need to use this option.

Valid values are: `LOG_KERN`, `LOG_USER`, `LOG_MAIL`, `LOG_DAEMON`, `LOG_AUTH`, `LOG_LPR`, `LOG_NEWS`, `LOG_UUCP`, `LOG_CRON`, `LOG_LOCAL0`, `LOG_LOCAL1`, `LOG_LOCAL2`, `LOG_LOCAL3`, `LOG_LOCAL4`, `LOG_LOCAL5`, `LOG_LOCAL6`, `LOG_LOCAL7`. The default is `LOG_USER`.



Keynames and values for Windows only

NtEventLogCategory

Specifies the category number that will be associated with log messages that are directed to the Windows Event Log, if LogToOslog is enabled. In most cases, there should be no need to use this option.

LogFileSDDL

Specifies the Windows Security Descriptor Definition Language (SDDL) string that sets the Access Control List (ACL) for log files created by the originator that was specified by the -o option. In most cases, there should be no need to use this option.

NtEventLogSourceName

Specifies the Windows Event log that log messages will be directed to if the LogToOslog option is enabled on Windows. This option is for VERTAS internal use only. Use of this option could disable unified logging.

EXAMPLES

Example 1

The following sets the LogDirectory for NetBackup and originator ID 111 on UNIX:

```
vxlogcfg -a --prodid 51216 -orgid 111 -s LogDirectory=/usr/opensv/logs
```

Example 2

The following sets the DebugLevel and DiagnosticLevel for all unified logging originators in NetBackup:

```
vxlogcfg -a --prodid 51216 -orgid ALL -s DebugLevel=3 -s  
DiagnosticLevel=3
```

Example 3

The following sets the default RolloverMode for product ID 1:

```
vxlogcfg -a --prodid 1 -orgid Default -s RolloverMode=FileSize
```

Example 4

The following displays all configuration settings for originator 2 for product ID 1.

```
vxlogcfg -l --prodid 1 --orgid 2
```

Example 5

The following lists all the originators configured for product ID 1.

```
vxlogcfg -l --prodid 1
```

Example 6

The following lists all configured products.

```
vxlogcfg -l
```

FILES

```
/usr/opensv/netbackup/nblog.conf
```

```
/etc/vx/VxICS/icsul.conf
```

SEE ALSO

```
vxlogview, vxlogmgr
```



vxlogmgr

NAME

vxlogmgr - Manages the log files generated by products that support Unified Logging.

SYNOPSIS

```
install_path\NetBackup\bin\vxlogmgr {-d | -c | -m | -s} [-a] [-f  
  AbsoluteDir] [-q]
```

```
install_path\NetBackup\bin\vxlogmgr {-d | -c | -m | -s} [-p  
  ProductID] [-o OriginatorID] [-n Days] [-t Time] [-b  
  Date] [-e Date] [-f AbsoluteDir] [-q] [-z]
```

```
install_path\NetBackup\bin\vxlogmgr {-d | -c | -m | -s} [-w  
  QueryString] [-f AbsoluteDir] [-q]
```

```
install_path\NetBackup\bin\vxlogmgr -h
```

```
install_path\NetBackup\bin\vxlogmgr -v
```

DESCRIPTION

The vxlogmgr utility manages the log files generated by unified logging-enabled applications. Log file management includes actions such as deleting or moving log files based on log management configuration settings.

Unified logging uses a standardized naming format for log files, as follows:

```
productID-originatorID-hostID-date-rotation.log
```

For more information about the unified logging naming format, and the logging originator ID's, refer to the *NetBackup Troubleshooting Guide for UNIX, Windows, and Linux*.

OPTIONS

Specify the log management action to perform.

-a, --auto

Retrieve log files based on individual configuration settings for NumberOfLogFiles. The action will be taken based on the given action type (such as move, copy, or delete). When the -a option is specified, the other options cannot be used.

-b, --startdate '*Date*'

Manage the log files created at the specified start date. The *Date* format is set from the current locale at run-time and is locale-specific.

NOTE: In Windows, use double-quotes.

-
- c, --cp
Copy log files from the folder configured by the product to the specified folder.
 - d, --del
Delete log files from the folder configured by the product.
 - e, --enddate *'Date'*
Manage the log files created up to the specified date. The *Date* format is set from the current locale at run-time and is locale-specific.
NOTE: In UNIX, use single quotes to enclose the date. In Windows, use double-quotes.
 - f, --dir *AbsoluteDir*
Specify the absolute name of the directory into which the log files are to be copied. This option is valid only with the -c option.
 - h, --help
List and describe the command-line options available for this command.
 - m, --mv
Move log files from the folder configured by the product to the specified folder.
 - n --days *NumberOfDays*
Manage the log files created in last *NumberOfDays* days for the specified action
 - o, --origid *OriginatorID*
Manage the log files identified by a given originator ID (*OriginatorID*).
 - p, --prodid *ProductID*
Manage the log files identified by a given product ID (*ProductID*) for the specified action. Instead of an identifier, the user can provide the product name.
 - q, --quiet
Do not display any messages; quiet mode.
 - s, --vw
View the log files for a given query.
 - t, --tail *hh:mm:ss*
Manage the log files for the last *hh:mm:ss* hours.
 - v, --version
Display the version information for this command.
 - w, --where *QueryString*
Retrieve a subset of logs based on a query string or condition (*QueryString*).



`-z, --displaytimezone`
Display the timezone information along with the log file listing.

EXIT STATUS

The following exit values are returned:

- 0 Successful completion.
- 1 An error occurred.

QUERY STRINGS

A query string is a text expression, similar to a database WHERE clause, that is used to retrieve log entries from the unified logging system. The expression is a combination of relational operators, constant integers, constant strings, and names of log fields that evaluate to a single value. Logical operators, such as AND and OR, are used to group expressions.

Supported relation operators include:

- < Less than
- > Greater than
- <= Less than and equal to
- >= Greater than and equal to
- = Equal to
- != Not equal to

Supported logical operators include && (logical AND) and || (logical OR).

Predefined log fields include:

- PRODIG Product identifier (integer or string)
- ORGID Originator identifier (integer or string)
- STDATE Locale-specific start date (long integer or string [such as 'mm/dd/yy'])
- ENDATE Locale-specific end date (long integer or string [such as 'mm/dd/yy'])
- PREVTIME Previous time (string [hh:mm:ss])

EXAMPLES

Example 1

The following automatically moves the older log files created by NetBackup to the folder /tmp/nblogs. The `--auto` option depends on the configuration setting NumberOfLogFiles.

```
vxlogmgr -m --auto --dir /tmp/nblogs
```

Example 2

The following deletes log files that NetBackup created 15 days back:

```
vxlogmgr -d --prodid NB -n 15
```

Example 3

The following copies log files that are one hour old to the folder `c:\temp\logfiles`:

```
vxlogmgr -c --tail 1:00:00 --dir c:\temp\logfiles
```

Example 4

The following copies to folder `c:\temp\logfiles` the log files created from date `01/22/04` by NetBackup:

```
vxlogmgr -c --where "(prodid = NB) && (stddate >= '01/22/04')" --dir  
c:\temp\logfiles
```

Example 5

The following copies to folder `c:\temp\logfiles` the log files created between `10/10/03` and `10/28/03` inclusive by product ID 100:

```
vxlogmgr -c --where "(PRODID == 100) && ((STDATE >= '10/10/03') &&  
(ENDATE <= '10/28/03'))" --dir c:\temp\logfiles
```

SEE ALSO

`vxlogview`, `vxlogcfg`



vxlogview

NAME

vxlogview - Displays logs generated by the unified logging component.

SYNOPSIS

```
install_path\NetBackup\bin\vxlogview [options] [-l LocaleName] [-d
    DisplayOption[,DisplayOption...]]
install_path\NetBackup\bin\vxlogview [-w queryString] [-l
    LocaleName] [-d DisplayOption[,DisplayOption...]]
install_path\NetBackup\bin\vxlogview [-a] [-l LocaleName] [-d
    DisplayOption[,DisplayOption...]]
install_path\NetBackup\bin\vxlogview -v
install_path\NetBackup\bin\vxlogview -h
```

DESCRIPTION

Use the vxlogview utility to view the logs generated by unified logging. Search criteria can be specified with command-line options to view specific logs.

Unified logging uses a standardized naming format for log files, as follows:

```
productID-originatorID-hostID-date-rotation.log
```

For more information about the unified logging naming format, and the logging originator ID's, refer to the *NetBackup Troubleshooting Guide for UNIX, Windows, and Linux*.

OPTIONS

Specify the logs you want to view.

- A, --audit
Display audit messages.
- a, --all
Display all log messages from log files generated by multiple VERITAS products.
- b, --startdate
Display messages logged starting at the given start time. The date format is set from the current locale at run-time and is locale-specific
NOTE: In UNIX, use single quotes to enclose the date/time argument. In Windows, use double-quotes.

-
- C, --crit
Display application log messages having a severity of critical.
- D, --debug
Display debug log messages.
- d, --display *DisplayOption*
Display specified message fields. If multiple *DisplayOptions* are specified, each must be separated by a comma. *DisplayOption* may be one or more of the following:
- D - Display date
 - T - Display timestamp
 - m - Display message type
 - p - Display process ID
 - t - Display thread ID
 - P - Display product ID
 - O - Display originator ID
 - c - Display context token
 - s - Display application log entry severity
 - u - Display application or diagnostic Unique Message ID
 - x - Display actual log message text
 - w - Display who logged the diagnostic or debug message
 - i - Display short name for a product
 - o - Display short name for an originator
 - all - Display all fields of the log record
- If -d is not specified, the following fields are displayed by default.
- Date
 - Time
 - Who (for diagnostic and debug messages only)
 - Severity (application messages only)
 - UMI (application and diagnostic messages only)
 - message text
- E, --err
Display application log messages having a severity of error.
- e, --enddate
Display messages logged up to a given end time. If an end time is not specified, it displays messages from the given start time to the end of the log. If the date is not specified, it takes the current date as default. The date format is set from the current locale at run-time and is locale-specific



NOTE: In UNIX, use single quotes to enclose the date/time argument. In Windows, use double-quotes.

- F, --info
Display application log messages having a severity of info.
- G, --logdir *dir*
Display logs from a given directory instead of a configured log directory.
- h, --help
List and describe the command line options available for this command.
- I, --diag
Display diagnostic log messages.
- i --fileid *FileID*
Display messages logged by a given file ID or shared originator ID.
- L, --app
Display application log messages.
- l, --locale *LocaleName*
Display messages in the locale given by *localeName*. The messages are displayed in the current system locale if this option is not given. If the messages cannot be displayed in the desired locale, the messages are displayed in English.
- M, --emerg
Display application log messages having a severity of emergency.
- N, --level
Display debug/diagnostic log messages for a given level.
- n, --days *NumberOfDays*
Display the messages logged for last *NumberOfDays* days.
- o, --orgid *OriginatorID*
Display messages logged by the given originator identified by a given originator ID. Instead of an identifier, the user can provide the abbreviated name of the product.
- P, --pid *ProcessID*
Display messages logged by a given process ID.
- p, --prodid *ProductID*
Display messages logged by the product identified by a given product ID. Instead of an identifier, the user can provide the abbreviated name of product.

-
- R, --resdir *dir*
Use resources from a given directory instead of a configured localization resource directory.
 - r, --res *Result*
Display audit messages having the specified *Result*. *Result* should be either 0 or 1.
 - s, --subject *Subject*
Display audit messages having the specified *Subject*.
 - T, --tid *ThreadID*
Display messages logged by a given thread ID.
 - t, --tail *hh:mm:ss*
Display messages for last *hh:mm:ss* hours.
 - v, --version
Display the version information for this command.
 - W, --warning
Display application log messages having a severity of warning.
 - w, --where *QueryString*
Specify a WHERE clause to use when querying the log messages such that a subset of messages can be displayed. For more detail on *QueryString*, refer to the “Using Logs and Reports” chapter of the *NetBackup Troubleshooting Guide*.
 - X, --ctx *ContextToken*
Display messages belonging to the given context instance. Context instances are identified by context tokens. If the context token specified is “all,” it displays all of the context names and associated tokens.
 - z, --timezone
Display messages with time adjusted as per the given timezone.

EXIT STATUS

The following exit values are returned:

- 0 Successful completion.
- 1 An error occurred.

EXAMPLES

Note The following examples are valid for UNIX, which uses single quotes to enclose option arguments. In Windows, use double-quotes.

Example 1



This example displays the log messages for all the products installed:

```
vxlogview --all
```

Example 2

This example displays the log messages for NetBackup. It displays only the date, time, message type, and message text:

```
vxlogview --prodid NB --display D,T,m,x
```

Example 3

This example displays the log messages for NetBackup that were logged between the dates 1/18/04 and 1/21/04:

```
vxlogview --where "(prodid = 'NB') && (stddate >= '1/18/04 0:0:0 AM' && endate <= '1/21/04 10:12:00 AM'))"
```

Example 4

This example displays the log messages that were created on or after the date and time 1/03/03, 11:00:00 a.m.:

```
vxlogview --stddate '1/03/03 11:00:00 AM'
```

Example 5

This example displays the log messages that were logged within the last hour:

```
vxlogview --tail 1:00:00
```

Example 6

This example displays the audit log messages that have a result of 0:

```
vxlogview --audit -r 0
```

Example 7

This example displays the context log messages for the “job_context” instance:

```
vxlogview --ctx 'jobid=4'
```

SEE ALSO

vxlogcfg, vxlogmgr



Index

A

- accessibility features xi
- ACS library
 - Automated Cartridge System 1
- acsd command 1
- Add Media Server on Clients
 - add_media_server_on_clients 3
- add_media_server_on_clients command 3
- ASA database files 344
- Automated Cartridge System 1

B

- Backup Exec
 - listing files 165
- backupdbtrace command 4
- backuptrace command 6
- Bare Metal Restore (BMR)
 - bmrc 11
 - bmrcconfig 14
 - bmrepadm 19
 - bmrrprep 22
 - bmrs 25
 - bmrsrtadm 29
- beconv command 8
- BMR client program 11
- BMR database 346
- bmrc command 11
- bmrcconfig command 14
- bmrepadm command 19
- bmrrprep command 22
- bmrs command 25
- bmrsrtadm command 29
- bparchive command 30
- bpauthorize command 34
- bpauthsync command 37
- bpbackup command 40
- bpbackupdb command 46
- bpcatarc command 50
- bpcatlist command 51

- bpcatres command 54
- bpcatrm command 55
- bpced command 56
- bpchangeprimary command 58
- bpclassnew command 250
- bpclients command 208
- bpclient command 62
- bpclinclud command 216
- bpclinfor command 221
- bpclntcmd 66
- bpclntcmd commnad 66
- bpclsched command 232
- bpclschedrep command 243
- bpcompatd command 68
- bpconfig command 70
- bpdbjobs command 80
- bpdown 87, 256
- bpduplicate command 89
- bperror command 97
- bpexpdate command 108
- bpgetconfig commnad 117
- bpgetdebuglog commnad 119, 288
- bpimagerlist command 120, 125
- bpimmedia command 132
- bpimport command 142
- bpinst command
 - examples 154
 - man page 148
 - recreate a key file 153
- bpkeyfile command
 - man page 156
- bpkeyutil command
 - man page 158
- bplabel command 160
- bplicommand 163
- bpmedia command 169
- bpmedialist command 172
- bpminlicense command 183



- bpnbat command 185
- bpnbaz command 191
- bppficorr command 206
- bpplclients command 208
- bppldelete command 215
- bpplininclude command 216
- bpplininfo command 221
- bppllist command 230
- bpplsched command 232
- bpplschedrep command 243
- bpolicynew command 250
- bpps 256
- bprecover command 260
- bprestore command 266
- bpschedule command 275
- bpschedulerep command 282
- bpsetconfig 288
- bpstuadd command 290, 294
- bpstudel command 302
- bpstulist command 304
- bpsturep command 310
- bptestbpcd command 317
- bpup 320
- bpverify command 322

C

- cat_convert utility 330
- change_key_file_pass_phrase option 156
- change_netbackup_pass_phrase option 156
- configuring
 - encryption, using bpinst command 148
- create_nbdb command 334
- crypt_option 150
- crypt_strength option 150

D

- DES
 - keys, generating from bpkeyfile 156
- device allocator 350
- disaster recovery 153
- display option 156
- drive
 - reset 459

E

- EMM database 373, 375
- Enterprise Media Manager 350
- Enterprise Media Manager (EMM)
 - EMM database 372

F

- File authentication
 - bpauthsync 37
- force_install option 149

G

- generating DES encryption keys 156

I

- Importing backups
 - bpimport 142
- importtrace command 339
- Inline Tape Copy option 93
- installation
 - using bpinst command 148

K

- key file 152
 - pass phrase 152

L

- LEGACY_CRYPT option 150
- Licenses
 - managing with bpminlicense command 183
- ltid
 - acsd command 1

M

- Managing barcode rules 350
- Managing devices 350
- Managing volume pools 350
- Managing volumes 350
- Media Contents Report 174
- Media Count Report 175
- Media List Report 172
- Media Manager daemons
 - nbpushdata 372
- Media Summary Report 174

N

- nbdb_admin command 342
- nbdb_backup command 344
- nbdb_move command 345
- nbdb_ping command 346
- nbdb_restore command 347
- nbdb_unload command 348
- nbemmcmd command 351
- nbjm command 350, 367
- nbnos command 368
- nbpem command 369, 371
- nbpushdata



-
- upgrades
 - Volume Database host 372
 - nbrb command 378
 - NetBackup Access Management 13, 18
 - NetBackup commands
 - beconv 8
 - NetBackup daemons
 - nbpushdata 372
 - NetBackup database 346
 - NetBackup Encryption 148
 - Legacy Encryption 148
 - Standard Encryption 148
 - NetBackup media
 - freeze 169
 - suspend 169
 - unfreeze 169
 - unsuspend 169
 - NetBackup Policy Execution Manager 369
 - NetBackup Policy Execution Manager
 - Requisition 371
 - NetBackup Resource Broker 378
 - NetBackup troubleshooting commands
 - backupdbtrace 4
 - backuptrace 6
 - NetBackup Vault 93
- P**
- pass phrase 152
 - restrictions 157
 - passphrase_prompt option 151
 - passphrase_stdin option 151
 - policy_encrypt option 151
 - policy_names option 149, 151
- R**
- recovery (disaster) 153
 - reset drive 459
 - restoretrace command 372, 379
 - robtest 392, 395
- S**
- set_ndmp_attr command 381
 - SSO environment 350
 - stdin option 156
 - Synchronize authentication files 37
- T**
- tl4d command 384
 - tl8cd command 385
 - tl8d command 385
 - tlcdc command 388
 - tldd command 388
 - tlhd command 392
 - tlhd command 392
 - tlhstest 392, 395
 - tlmd command 395
 - tpautoconf command 396
 - tpclean command 400
 - tpconfig command 403
 - tpreq command 416
 - tpunmount command 418
- U**
- Unified logging 485
 - vxlogmgr 492
 - vxlogview 496
 - update_libraries option 150
- V**
- verbose option 149, 151
 - vlteject 427
 - vltinject 431
 - vloffsitemedia 433
 - vltopmenu 437
 - vltrun 438
 - vmadd command 442
 - vmchange command 445
 - vmcheckxxx command 453
 - vmdelete command 455
 - vmoprcmd command 457
 - vmphyinv command 463
 - vmppool command 467
 - vmquery command 470
 - vmrule command 474
 - vmupdate command 476
 - Volume Database host 372, 375, 377
 - vopie_util command 479
 - vopied command 483
 - vxlogcfg 485
 - vxlogcfg command 485
 - vxlogmgr command 492
 - vxlogview command 496

