



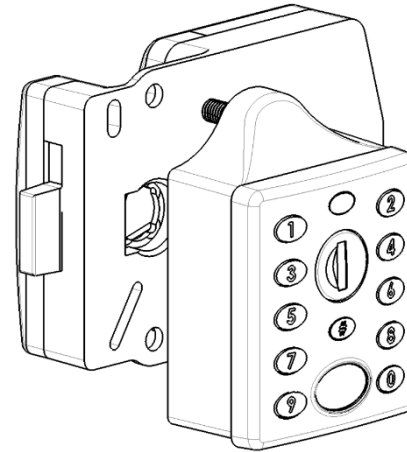
EURO-LOCKS

LOCKING SYSTEMS FOR INDUSTRY

New Product Introduction



Digital Lock for Steel Lockers



Introduction

This new digital combination lock has been uniquely designed to fit quickly and easily to most traditional metal lockers. There are no wires to connect and no tricky pins to align. The 2 part design simply clicks together and is secured with 2 nuts.

The lock can be fitted to new lockers and also offers a quick, simple way of upgrading existing mechanical systems.

A 4 digit pin code opens and closes the lock and an 8 digit master code can be used by the site manager. A mechanical key override also ensures the locker can be opened in the event of an emergency.

The standard AA batteries will last up to 80,000 operations and the condition can be checked at any time by simply pressing a button. When they eventually need to be changed it is a simple operation with no need to remove the lock from the locker.

The lock can be supplied in day-use mode for temporary assignment or in private mode for permanent assignment. It can also be changed at any time in the future.



Main features

- Strong zinc alloy construction
- Fits most standard metal lockers “out of the box”
- Simple click together fitment, with 2 nuts to secure
- No wires to connect
- Mechanical key for emergency access

- 4 digit user code
- 8 digit master code

- Can be set in permanent use or day use mode and changed at any time
- Manufactured in England, UK to the highest standards





Standard Features

- Mechanical emergency override key
- High quality keypad
- LED lights – multi-function
- Key press LED indicator
- Re-lock LED indicator
- Audible “beep” on key press (can be turned off)
- Silver, black or white finish as standard
- Automatic timed unlock option
- Battery Life approx. 80k cycles
- 2 x AA Duracell batteries (included)
- Battery level indicator
- Technician mode (allows access with master key, without erasing user pin code)
- Discrete logo (can be customized)





No Cost Options

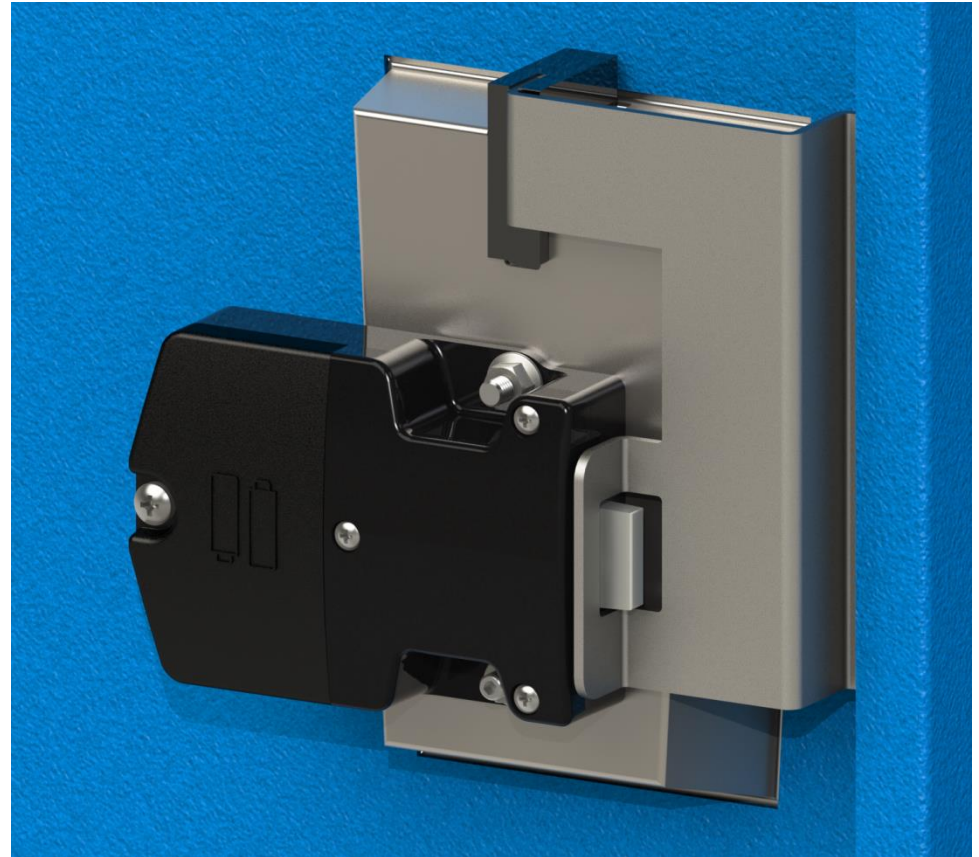
- Unique key per customer or installation
- Can be pre-programmed in public / private mode
- Can be pre-programmed to specific user and/or master codes

Chargeable Options

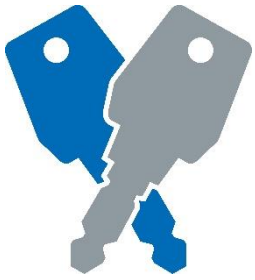
- Wide range of colours
- Customized company logo



Front Module



Rear Module

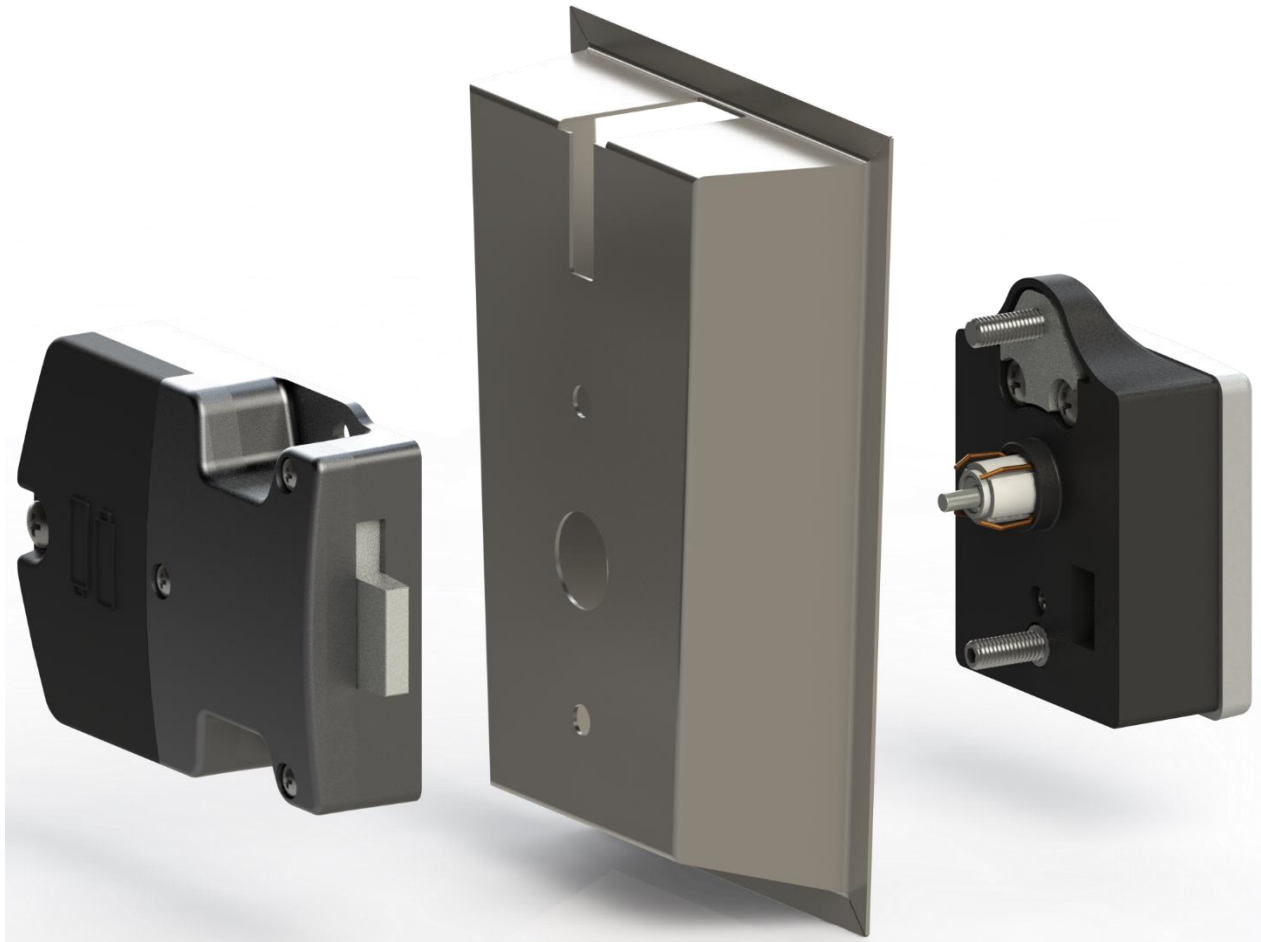


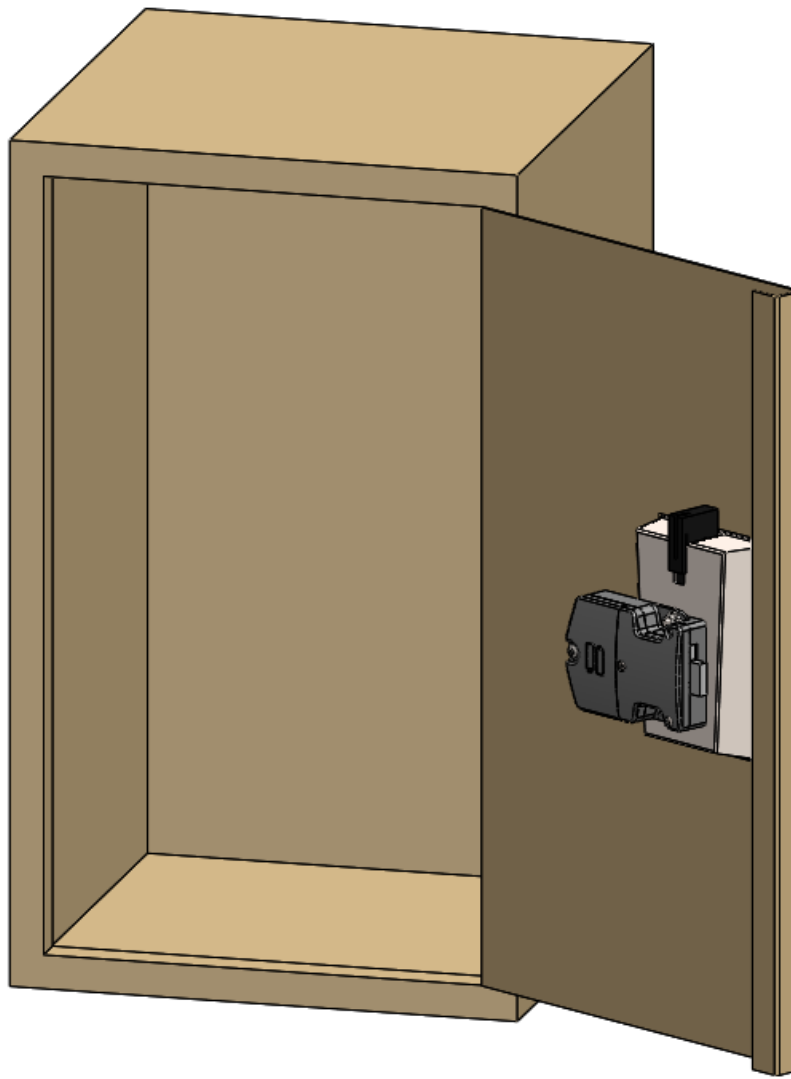
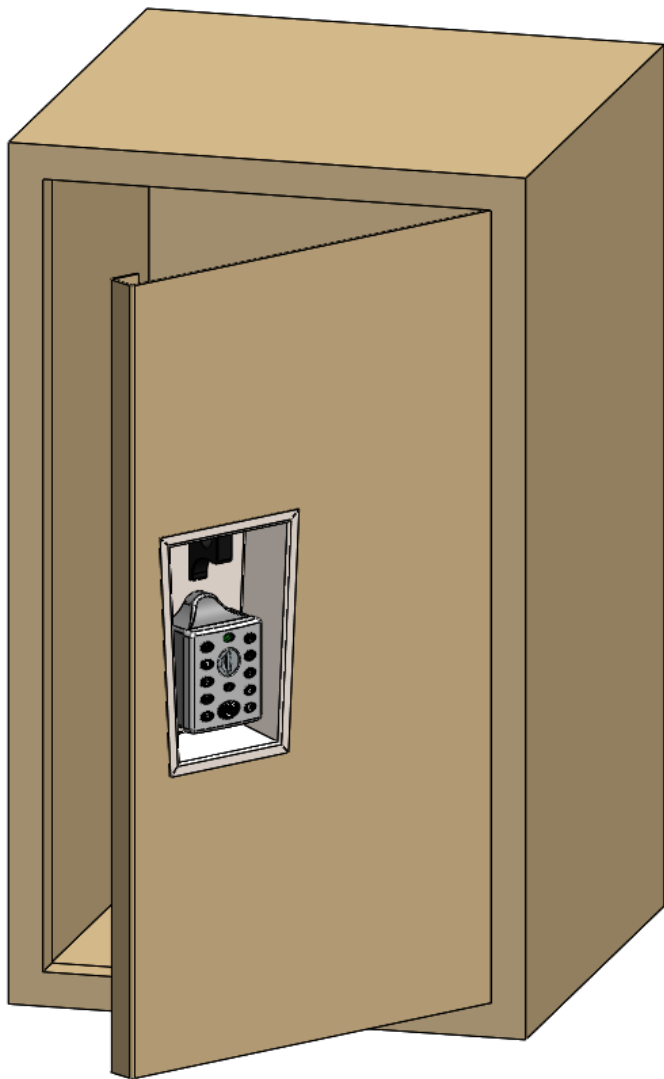
Designed to fit industry standard “three-hole” footprint.

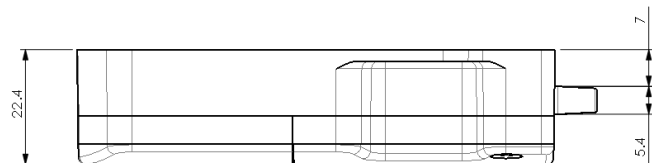
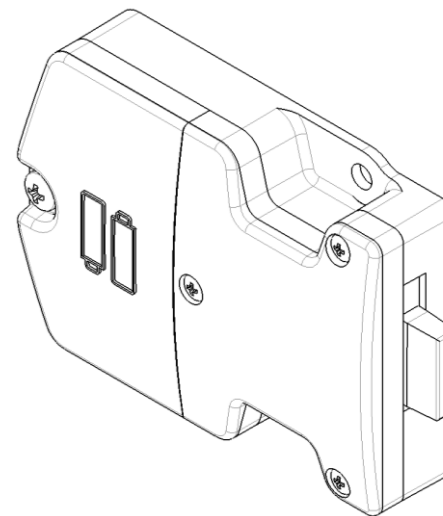
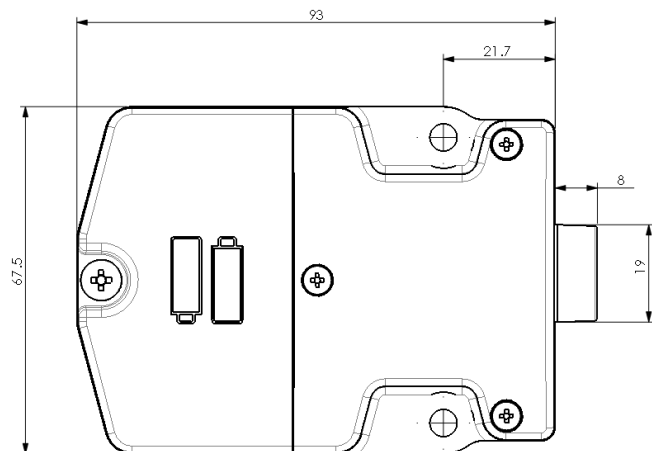
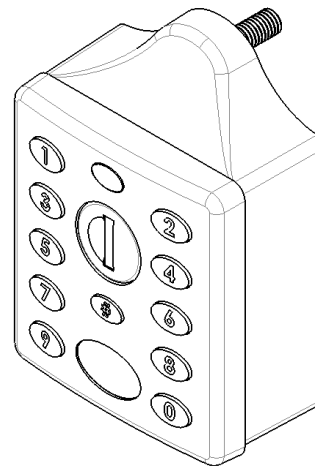
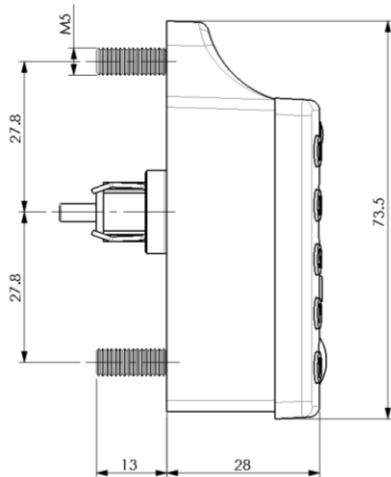
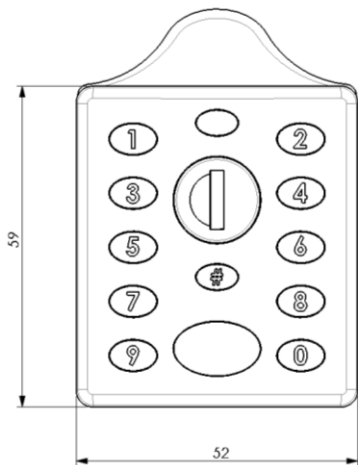




Designed to fit industry standard “three-hole” footprint.

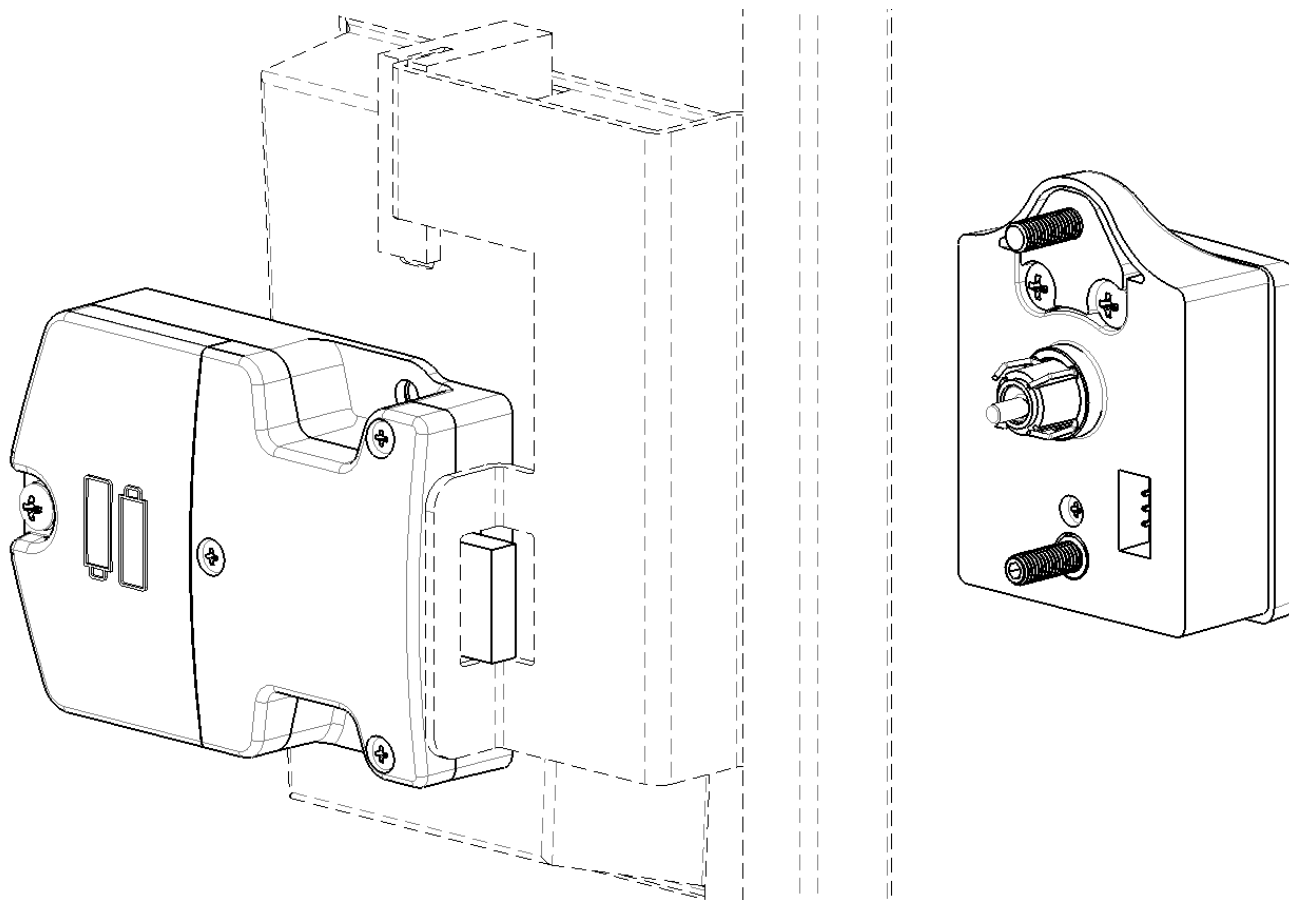






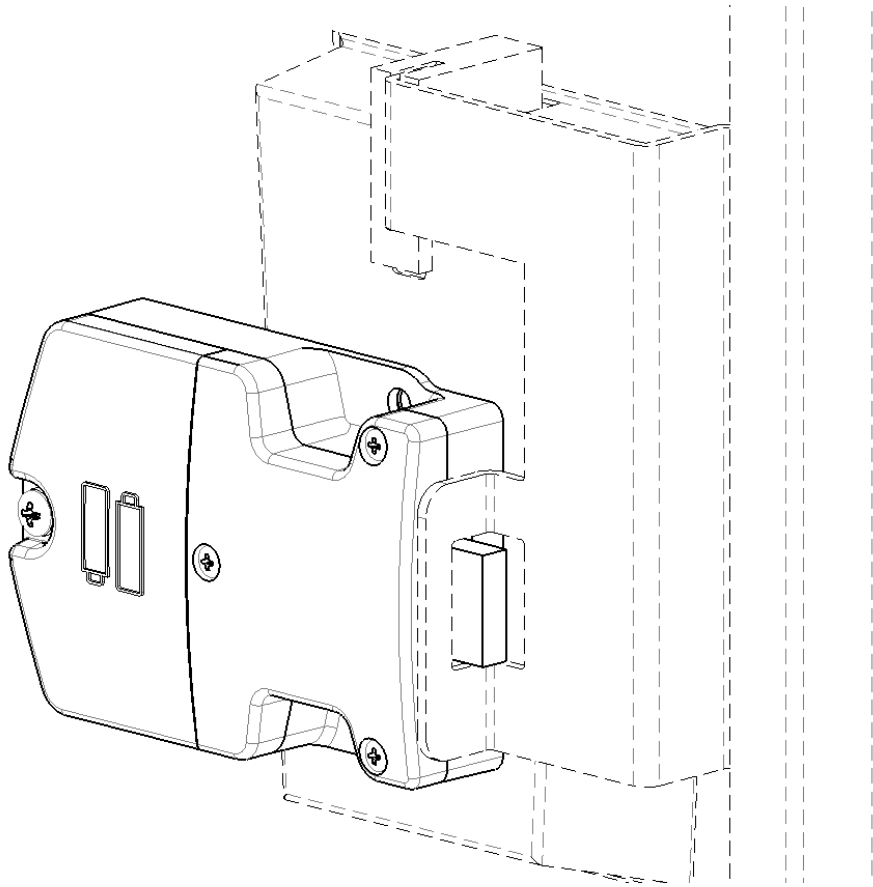


Fitting Instruction – Overview





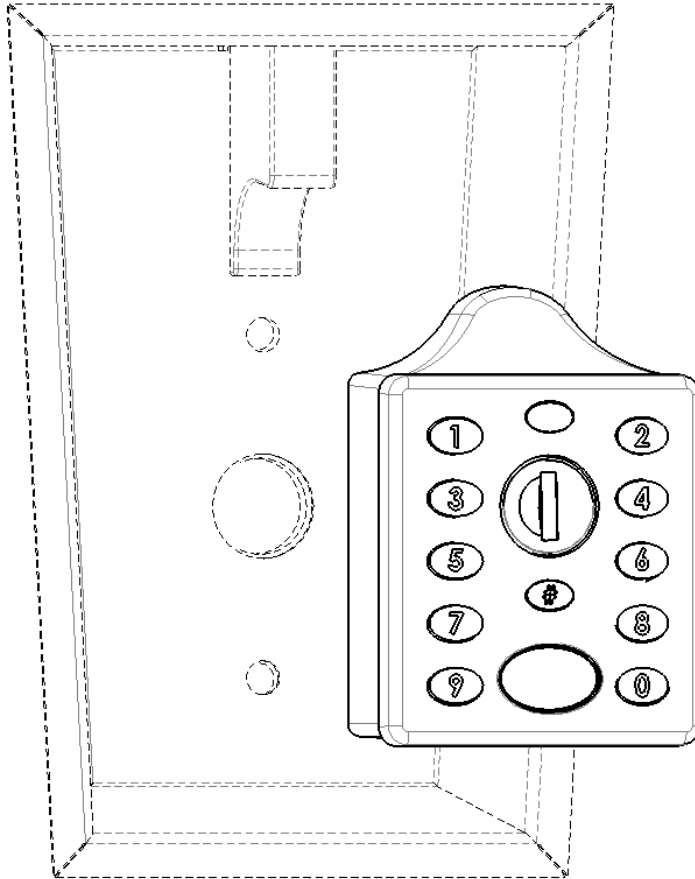
Fitting Instruction – Stage 1 of 2



- Position rear module as shown
- Ensure lock bolt is engaged with door lifter mechanism



Fitting Instruction – Stage 2 of 2



- Insert front module through door panel and “click” into rear module.
- Take care to align the connection to avoid damaging the contact pins.
- Add two nuts supplied and tighten to 2.5 lb/ft



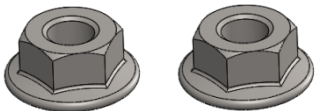
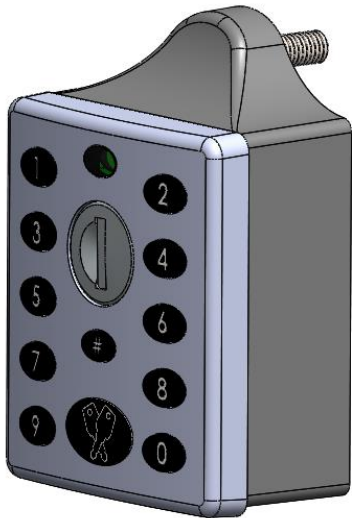
Part Numbers

Front Module

- 37901 01A - White
- 37901 01B - Black
- 37901 01E - Silver



192g

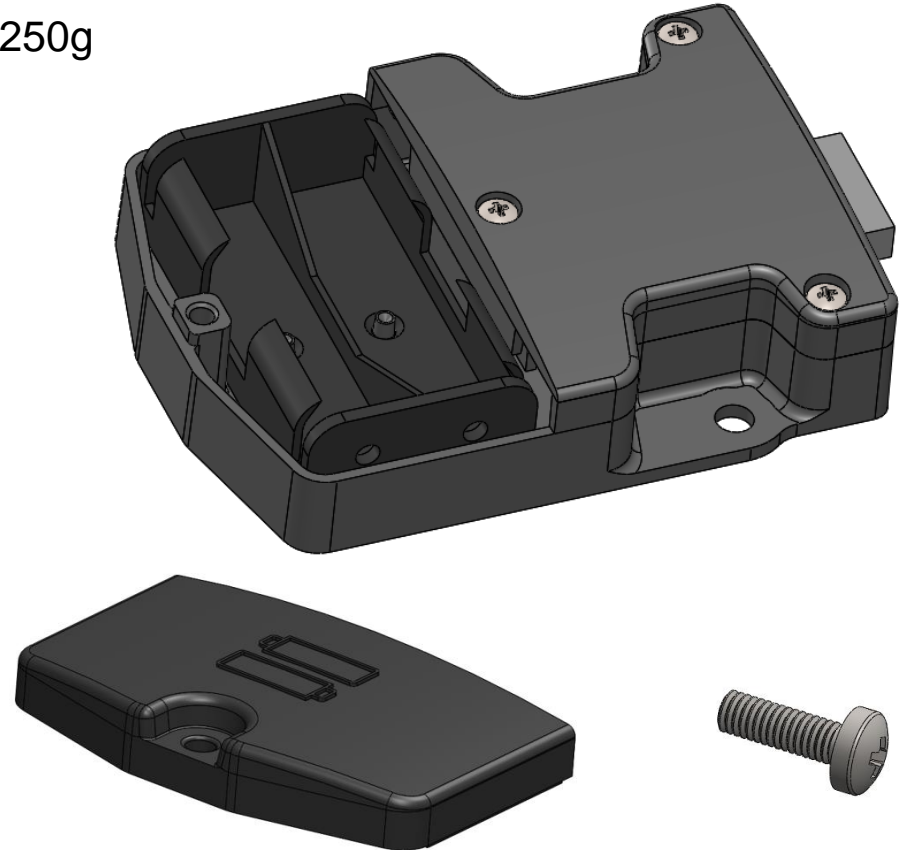


Rear Module

- 37902 01B - Black



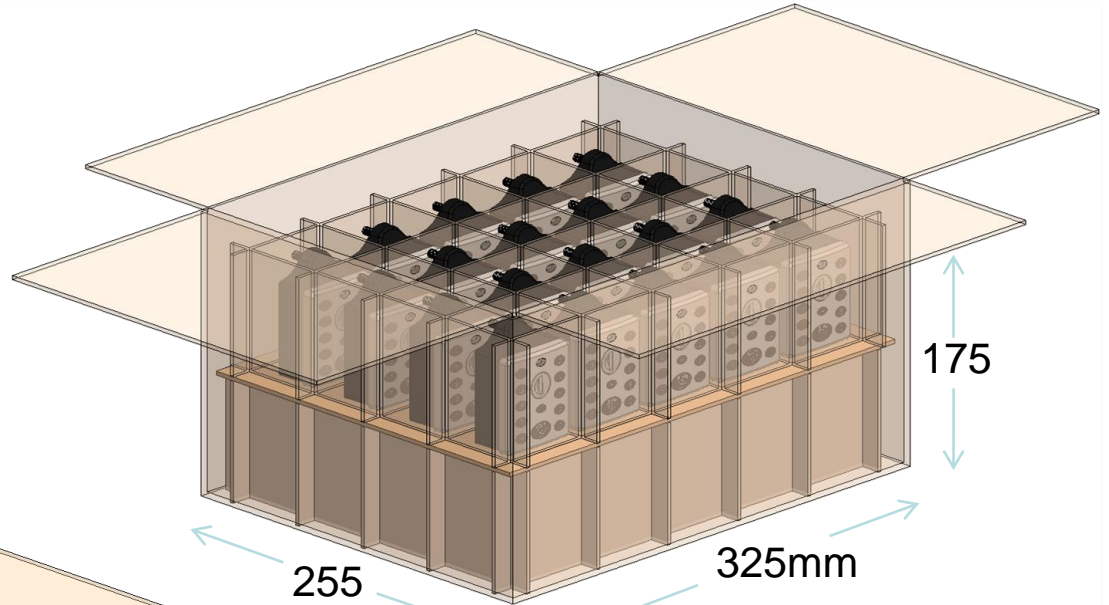
250g



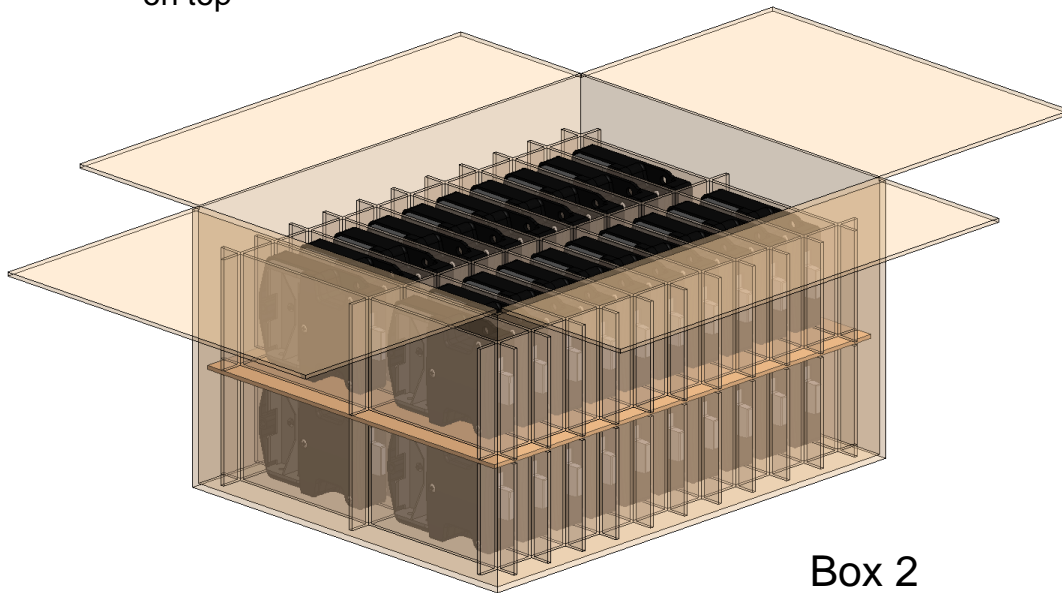


Standard Packaging Details

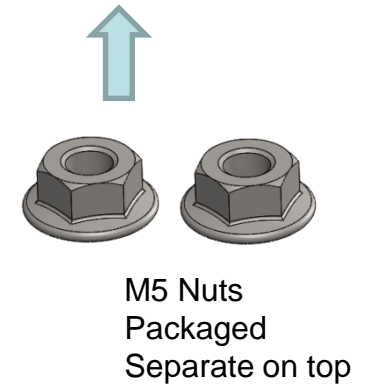
Box 1
2 Layers of 20 Front Modules



Accessories
Packaged separate
on top



Box 2
2 Layers of 20 Rear Modules

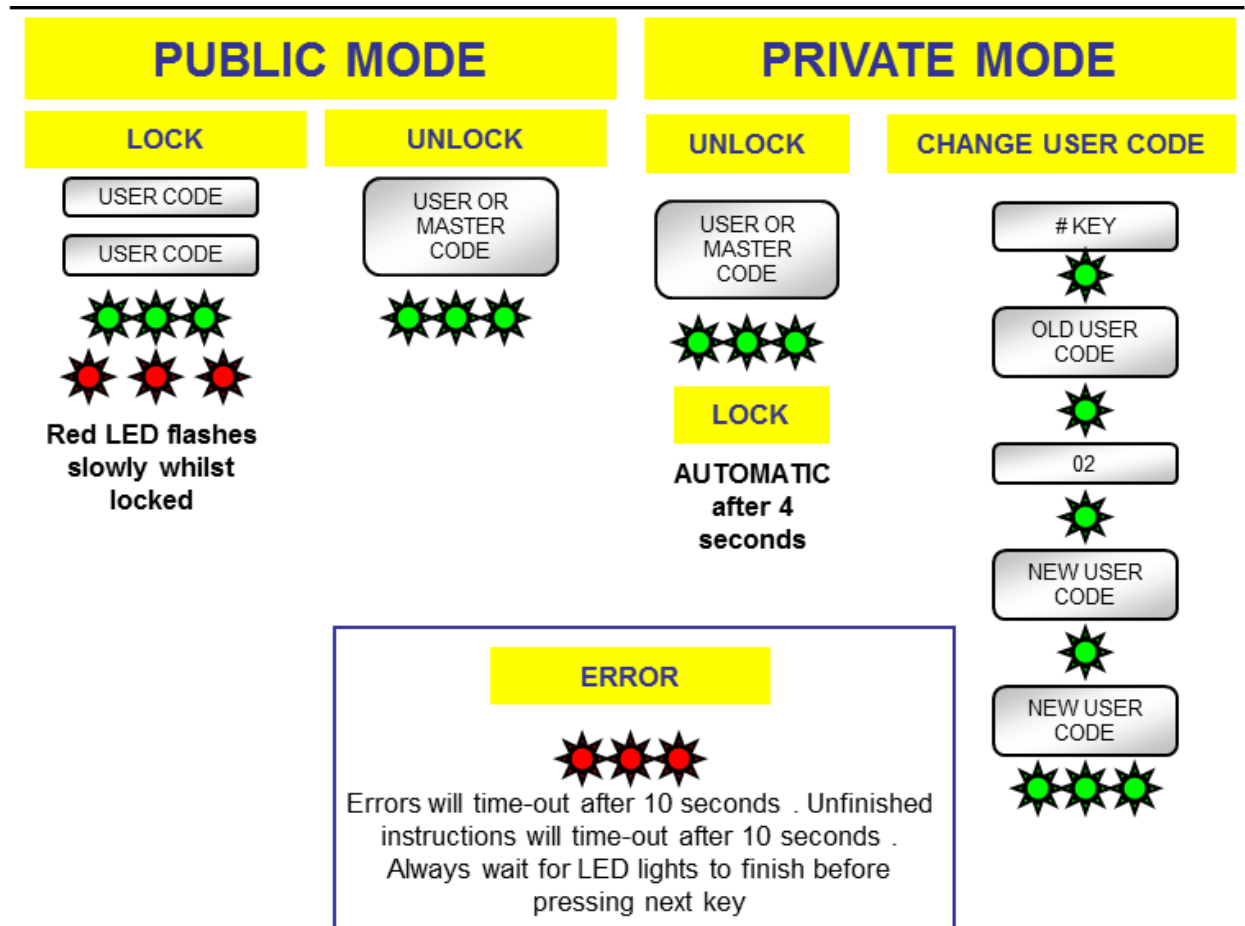


M5 Nuts
Packaged
Separate on top

3790 Digital Combination Lock



User Instructions



Fitting Instructions

Special Notes

Before installing the Digital Combination Lock, load the batteries and familiarize yourself with the operation and programming. Unless manufactured to special order, the lock is supplied in the "PRIVATE" operating mode. In this mode, the user must enter a four-digit User Code to open it. The unit will re-lock itself after four seconds. The lock can be opened at any time using the Master Code.

Unless manufactured to special order:-
The default Master Code is 11 33 55 77 and the default User Code is 22 44.
These codes are common to all standard locks and it is very important that you set your own personal Master and User Codes.
Your lock is not secure until you have changed the default Master Code and User Code.
Keep a safe record of your Master Code as it is not possible to make any programming changes without it.
Please see programming guide to set your own codes.

ENSURE BATTERIES ARE CORRECTLY FITTED BEFORE FIXING LOCK

Installation Guide

The 3790 lock comprises an inner module and an outer module. The outer module is identified by its numbered keypad.

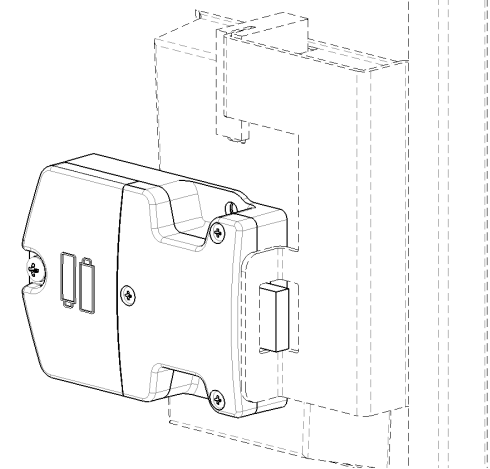
1. Remove all packaging, including the protective tube on the rear of the outer module.
2. Position the rear module inside the locker as shown in Picture 1.
3. Position the front module on the outside of the locker as shown in Picture 2.
4. Ensure that the electrical connectors are not bent and engage cleanly in the rear module.
5. Screw the two fixing nuts onto the two fixing studs. Tighten to 2.5 Lb.Ft
6. Before closing the door, test the lock by entering the user code on the keypad and lifting the locker release mechanism. When the lock is open, you should be able to lift the bolt freely.
7. Your lock should be ready to use.



**3790 Digital Combination Lock
INSTALLATION INSTRUCTIONS**

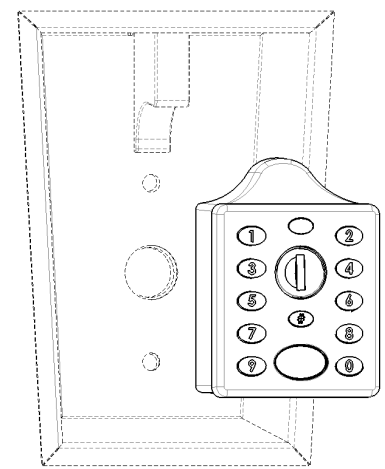


EURO-LOCKS
LOCKING SYSTEMS FOR INDUSTRY



Picture 1.

Position rear module as above



Picture 2.

Insert front module through door panel and "click" into rear module. Take care not to damage the contact pins.

Secure 2 x nuts to 2.5 Lb.Ft



Contact Details:

A: Euro-Locks Inc,
124 James Street, Holland,
Michigan,
MI 49424, USA.

T: +001 616 994 0490

F: +001 616 994 0480

E: locksales@euro-locks.us

W: www.euro-locks.us