

NFS2-640(E)

Intelligent Addressable Fire Alarm System



Intelligent Fire Alarm Control Panels

General

The NFS2-640 intelligent Fire Alarm Control Panel is part of the ONYX® Series of Fire Alarm Controls from NOTIFIER.

In stand-alone or network configurations, ONYX Series products meet virtually every application requirement.

The NFS2-640's modular design makes system planning easier. The panel can be configured with just a few devices for small building applications, or networked with many devices to protect a large campus or a high-rise office block. Simply add additional peripheral equipment to suit the application.

A host of other options are available, including single- or multi-channel voice; firefighter's telephone; LED, LCD, or PC-based graphic annunciators; networking; advanced detection products for challenging environments; wireless fire protection; and many additional options.

NOTE: Unless called out with a version-specific "E" at the end of the part number, "NFS2-640" refers to models NFS2-640 and NFS2-640E; similarly, "CPU2-640" refers to models CPU2-640 and CPU2-640E.

Features

- Certified for seismic applications when used with the appropriate seismic mounting kit.
- Approved for Marine applications when used with listed compatible equipment. See DN-60688.
- One, expandable to two, isolated intelligent Signaling Line Circuit (SLC) Style 4, 6 or 7.
- Wireless fire protection using SWIFT Smart Wireless Integrated Fire Technology. See DN-60820.
- Up to 159 detectors and 159 modules per SLC; 318 devices per loop/636 per FACP or network node.
 - Detectors can be any mix of ion, photo, thermal, or multi-sensor; wireless detectors are available for use with the FWSG.
 - Modules include addressable pull stations, normally open contact devices, two-wire smoke detectors, notification, or relay; wireless modules are available for use with the FWSG.
- Standard 80-character display, 640-character large display (NCA-2), or display-less (a node on a network).
- Network options:
 - High-speed network for up to 200 nodes (NFS2-3030, NFS2-640, NFS-320(C), NFS-320SYS, NCA-2, DVC-EM, ONYXWorks, NFS-3030, NFS-640, and NCA).
 - Standard network for up to 103 nodes (NFS2-3030, NFS2-640, NFS-320(C), NFS-320SYS, NCA-2, DVC-EM, ONYXWorks, NCS, NFS-3030, NFS-640, NCA, AFP-200, AFP-300/400, AFP-1010, and AM2020). Up to 54 nodes when DVC-EM is used in network paging.
- 6.0 A switch mode power supply with four Class A/B built-in Notification Appliance Circuits (NAC). Selectable System Sensor, Wheelock, or Gentex strobe synchronization.
- Built-in Alarm, Trouble, Security, and Supervisory relays.
- VeriFire® Tools online or offline programming utility. Upload/Download, save, store, check, compare, and simulate panel databases. Upgrade panel firmware.
- Autoprogramming and Walk Test reports.
- Multiple central station communication options:
 - Standard UDACT
 - Internet
 - Internet/GSM
- 80-character remote annunciators (up to 32).
- EIA-485 annunciators, including custom graphics.
- Printer interface (80-column and 40-column printers).
- History file with 800-event capacity in nonvolatile memory, plus separate 200-event alarm-only file.
- Alarm Verification selection per point, with automatic counter.
- Presignal/Positive Alarm Sequence (PAS).
- Silence inhibit and Auto Silence timer options.
- March time/temporal/California two-stage coding/strobe synchronization.
- Field-programmable on panel or on PC, with VeriFire Tools program check, compare, simulate.
- Full QWERTY keypad.
- Battery charger supports 18 – 200 AH batteries.
- Non-alarm points for lower priority functions.
- Remote ACK/Signal Silence/System Reset/Drill via monitor modules.
- Automatic time control functions, with holiday exceptions.
- Surface Mount Technology (SMT) electronics.
- Extensive, built-in transient protection.
- Powerful Boolean logic equations.
- Support for SCS Series smoke control system in HVAC mode.



NFS2-640

NFS2-640-DVC_right.jpg

NCA-2 AS PRIMARY DISPLAY

- Backlit, 640-character display.
- Supports SCS Series smoke control system in FSCS mode when SCS is connected to the NCA-2 used as primary display.
- Supports DVC digital audio loop.
- Printer and CRT EIA-232 ports.
- EIA-485 annunciator and terminal mode ports.
- Alarm, Trouble, Supervisory, and Security relays.

FLASHSCAN® INTELLIGENT FEATURES

- Polls up to 318 devices in less than two seconds.
- Activates up to 159 outputs in less than five seconds.
- Multicolor LEDs blink device address during Walk Test.
- Fully digital, high-precision protocol (U.S. Patent 5,539,389).
- Manual sensitivity adjustment — up to nine levels.
- Pre-alarm ONYX intelligent sensing — up to nine levels.
- Day/Night automatic sensitivity adjustment.
- Sensitivity windows:
 - Ion – 0.5 to 2.5%/foot obscuration.
 - Photo – 0.5 to 2.35%/foot obscuration.
 - Laser (VIEW®) – 0.02 to 2.0%/foot obscuration.
 - Acclimate Plus™ – 0.5 to 4.0%/foot obscuration.
 - IntelliQuad™ – 1.0 to 4.0%/foot obscuration.
 - IntelliQuad™ PLUS – 1.0 to 4.0%/foot obscuration
- Drift compensation (U.S. Patent 5,764,142).
- Degraded mode — in the unlikely event that the CPU2-640 microprocessor fails, FlashScan detectors revert to degraded operation and can activate the CPU2-640 NAC

circuits and alarm relay. Each of the four built-in panel circuits includes a Disable/Enable switch for this feature.

- Multi-detector algorithm involves nearby detectors in alarm decision (U.S. Patent 5,627,515).
- Automatic detector sensitivity testing (NFPA-72 compliant).
- Maintenance alert (two levels).
- Self-optimizing pre-alarm.

FSL-751 (VERY INTELLIGENT EARLY WARNING)

SMOKE DETECTION TECHNOLOGY

- Advanced ONYX intelligent sensing algorithms differentiate between smoke and non-smoke signals (U.S. Patent 5,831,524).
- Addressable operation pinpoints the fire location.
- Early warning performance comparable to the best aspiration systems at a fraction of the lifetime cost.

FAPT-851 ACCLIMATE PLUS

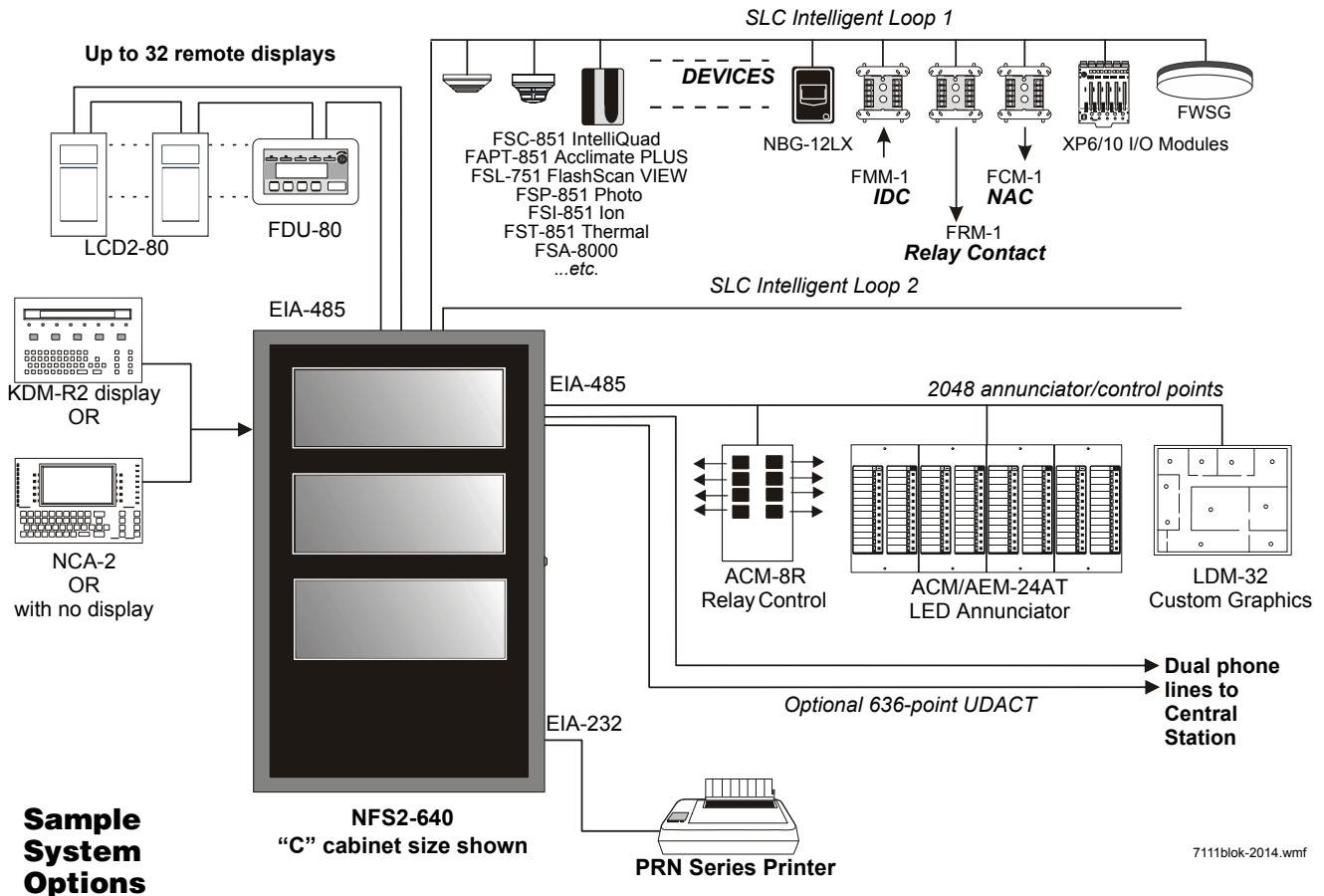
LOW-PROFILE INTELLIGENT MULTI-SENSOR

- Detector automatically adjusts sensitivity levels without operator intervention or programming. Sensitivity increases with heat.
- Microprocessor-based technology; combination photo and thermal technology.
- Low-temperature warning signal at 40°F ± 5°F (4.44°C ± 2.77°C).

FSC-851 INTELLIQUAD

ADVANCED MULTI-CRITERIA DETECTOR

- Detects all four major elements of a fire (smoke, heat, CO, and flame).
- Automatic drift compensation of smoke sensor and CO cell.
- High nuisance-alarm immunity.



Sample System Options

INTELLIGENT FAAST® DETECTORS FSA-5000, FSA-8000, AND FSA-20000

- Connects directly to the SLC loop of compatible ONYX series panels.
- Provides five event thresholds that can be individually programmed with descriptive labels for control-by-event programming; uses five detector addresses.
- Uses patented particle separator and field-replaceable filter to remove contaminants.
- Advanced algorithms reject common nuisance conditions
- FSA-5000 covers 5,000 square feet through one pipe.
- FSA-8000 covers 8,000 square feet through one pipe.
- FSA-20000 covers 28,800 square feet through one to four pipes.

FCO-851 INTELLIQUAD™ PLUS ADVANCED MULTI-CRITERIA FIRE/CO DETECTOR

- Detects all four major elements of a fire.
- Separate signal for life-safety CO detection.
- Optional addressable sounder base for Temp-3 (fire) or Temp-4 (CO) tone.
- Automatic drift compensation of smoke sensor and CO cell.
- High nuisance-alarm immunity.

SWIFT WIRELESS

- Self-healing mesh wireless protocol.
- Each SWIFT Gateway supports up to 50 devices: 1 wireless gateway and up to 49 SWIFT devices.
- Up to 4 wireless gateways can be installed with overlapping network coverage.

RELEASING FEATURES

- Ten independent hazards.
- Sophisticated cross-zone (three options).
- Delay timer and Discharge timers (adjustable).
- Abort (four options).
- Low-pressure CO₂ listed.

DIGITAL VOICE AND TELEPHONE FEATURES

- Up to eight channels of digital audio.
- 35, 50, 75, and 100/125 watt digital amplifiers (DAA2/DAX series and DS series; NCA-2 required as primary display).
- Solid-state digital message generation.
- Firefighter telephone option.
- 30- to 120-watt high-efficiency amplifiers (AA Series).
- Backup tone generator and amplifier option.
- NFS2-640 can also integrate with the FirstCommand Emergency Communications System. See DN-60772.

HIGH-EFFICIENCY OFFLINE SWITCHING 3.0 A POWER SUPPLY (6.0 A IN ALARM)

- 120 VAC (NFS2-640); 240 VAC (NFS2-640E).
- Displays battery current/voltage on panel (with display).

FlashScan, Exclusive World-Leading Detector Protocol

At the heart of the NFS2-640 is a set of detection devices and device protocol — FlashScan (U.S. Patent 5,539,389). FlashScan is an all-digital protocol that gives superior precision and high noise immunity.

In addition to providing quick identification of an active input device, this protocol can also activate many output devices in a fraction of the time required by competitive protocols. This high speed also allows the NFS2-640 to have the largest device per loop capacity in the industry — 318 points — yet every input and output device is sampled in less than two sec-

onds. The microprocessor-based FlashScan detectors have bicolor LEDs that can be coded to provide diagnostic information, such as device address during Walk Test.

ONYX Intelligent Sensing

Intelligent sensing is a set of software algorithms that provides the NFS2-640 with industry-leading smoke detection capability. These complex algorithms require many calculations on each reading of each detector, and are made possible by the high-speed microcomputer used by the NFS2-640.

Drift Compensation and Smoothing: Drift compensation allows the detector to retain its original ability to detect actual smoke, and resist false alarms, even as dirt accumulates. It reduces maintenance requirements by allowing the system to automatically perform the periodic sensitivity measurements required by NFPA 72. Smoothing filters are also provided by software to remove transient noise signals, such as those caused by electrical interference.

Maintenance Warnings: When the drift compensation performed for a detector reaches a certain level, the performance of the detector may be compromised, and special warnings are given. There are three warning levels: (1) Low Chamber value; (2) Maintenance Alert, indicative of dust accumulation that is near but below the allowed limit; (3) Maintenance Urgent, indicative of dust accumulation above the allowed limit.

Sensitivity Adjust: Nine sensitivity levels are provided for alarm detection. These levels can be set manually, or can change automatically between day and night. Nine levels of pre-alarm sensitivity can also be selected, based on predetermined levels of alarm. Pre-alarm operation can be latching or self-restoring, and can be used to activate special control functions.

Self-Optimizing Pre-Alarm: Each detector may be set for “Self-Optimizing” pre-alarm. In this special mode, the detector “learns” its normal environment, measuring the peak analog readings over a long period of time, and setting the pre-alarm level just above these normal peaks.

Cooperating Multi-Detector Sensing: A patented feature of ONYX intelligent sensing is the ability of a smoke sensor to consider readings from nearby sensors in making alarm or pre-alarm decisions. Without statistical sacrifice in the ability to resist false alarms, it allows a sensor to increase its sensitivity to actual smoke by a factor of almost two to one.

Field Programming Options

Autoprogram is a timesaving feature. The FACP “learns” what devices are physically connected and automatically loads them in the program with default values for all parameters. Requiring less than one minute to run, this routine allows the user to have almost immediate fire protection in a new installation, even if only a portion of the detectors are installed.

Keypad Program Edit (with KDM-R2) The NFS2-640, like all NOTIFIER intelligent panels, has the exclusive feature of program creation and editing capability from the front panel keypad, while continuing to provide fire protection. The architecture of the NFS2-640 software is such that each point entry carries its own program, including control-by-event links to other points. This allows the program to be entered with independent per-point segments, while the NFS2-640 simultaneously monitors other (already installed) points for alarm conditions.

VeriFire® Tools is an offline programming and test utility that can greatly reduce installation programming time, and increase confidence in the site-specific software. It is Windows®-based and provides technologically advanced capabili-

ties to aid the installer. The installer may create the entire program for the NFS2-640 in the comfort of the office, test it, store a backup file, then bring it to the site and download from a laptop into the panel.

Placement of Equipment in Chassis and Cabinet

The following guidelines outline the NFS2-640's flexible system design.

Rows: The first row of equipment in the cabinet mounts in the chassis shipped with the FACP. Mount the second, third, or fourth rows of equipment in a CHS-4 series chassis or, for Digital Voice Command products, in CA-1 or CA-2. (For DVC-EM and DAA2/DAX components see *DVC Manual*; for DS series components see *DS-AMP Manual*; for DVC-AO applications, see *AA Series Installation Manual*). Other options are available; see your panel's installation manual.

Wiring: When designing the cabinet layout, consider separation of power-limited and non-power-limited wiring as discussed in the *NFS2-640 Installation Manual*.

Positions: A chassis offers four basic side-by-side positions for components; the number of modules that can be mounted in each position depends on the chassis model and the size of the individual module. There are a variety of standoffs and hardware items available for different combinations and configurations of components.

It is critical that all mounting holes of the NFS2-640 are secured with a screw or standoff to ensure continuity of Earth Ground.

Layers: The control panel's chassis accepts four layers of equipment, including the control panel. The CPU2-640 fills three positions (left to right) in the first-installed layer (the back of the chassis); its integral power supply occupies the center two positions in the next two layers; the optional display occupies (the left) two positions at the front, flush with the door. Some equipment, such as the NCA-2, may be mounted in the dress panel directly in front of the control panel. The NCA-2 can be used as a primary display for the NFS2-640 (use NCA/640-2-KIT) by directly connecting their network ports (required in Canadian stand-alone applications); see NCA-2 data sheet for mounting options (*DN-7047*).

Expansion: Installing an LEM-320 Loop Expander Module adds a second SLC loop to the control panel. The LEM-320 is mounted onto the CPU2-640, occupying the middle-right, second (back) slot on the chassis.

Networking: If networking two or more control panels, each unit requires a Network Communication Module or High-Speed Network Communication Module. (HS-NCM can support two nodes; see "Networking Options" on page 5). These modules can be installed in any option board position (see manual), and additional option boards can be mounted in front of the network communication modules.

KDM-R2 Controls and Indicators

Program Keypad: QWERTY type (*keyboard layout, see figure*).

12 LED indicators: Power; Fire Alarm; Pre-Alarm; Security; Supervisory; System Trouble; Signals Silenced; Points Disabled; Control Active; Abort; Pre-Discharge; Discharge.

Keypad Switch Controls: Acknowledge/Scroll Display; Signal Silence; Drill; System Reset; Lamp Test.

LCD Display: 80 characters (2 x 40) with long-life LED backlight.

Product Line Information

- "Configuration Guidelines" on page 4
- "Networking Options" on page 5
- "Auxiliary Power Supplies and Batteries" on page 5
- "Audio Options" on page 5
- "Compatible Devices, EIA-232 Ports" on page 5
- "Compatible Devices, EIA-485 Ports" on page 5
- "Compatible Intelligent Devices" on page 6
- "Enclosures, Chassis, and Dress Plates" on page 7
- "Other Options" on page 7

CONFIGURATION GUIDELINES

Stand-alone and network systems require a main display. On systems with one FACP (one CPU2-640/-640E), display options are the KDM-R2 or the NCA-2. On network systems (two or more networked fire panel nodes), at least one NCA-2, NCS, or ONYXWorks annunciation device is required. Other options listed as follows;

KDM-R2: 80-character backlit LCD display with QWERTY programming and control keypad. Order two BMP-1 blank modules and DP-DISP2 mounting plate separately. *Requires top row of a cabinet. Required for each stand-alone 80-character display system. The KDM-R2 may mount in network nodes to display "local" node information as long as at least one NCA-2 or NCS/ONYXWorks network display is on the system to display network information. (Non-English versions also available: KDM-R2-FR, KDM-R2-PO, KDM-R2-SP.)*

NCA-2: Network Control Annunciator, 640 characters. On single CPU2-640/-640E systems, the optional NCA-2 can be used as the Primary Display for the panel and connects directly to the CPU2-640/-640E. On network systems (two or more networked fire panel nodes), one network display (either NCA-2 or NCS/ONYXWorks) is required for every system. On network systems, the NCA-2 connects to (and requires) a standard Network Communication Module or High-Speed Network Communication Module. Mounts in a row of FACP node or in two annunciator positions. Mounting options include the DP-DISP2, ADP-4B, or in an annunciator box, such as the ABS-2D. In CAB-4 top-row applications, a DP-DISP2 and two BMP-1 blank modules are required for mounting. Required for NFS2-640 applications employing the DVC-EM with DAL devices. Non-English versions are available. For marine applications, order NCA-2-M; for non-English Marine applications, order NCA-2-M and the appropriate KP-KIT-XX. See *DN-7047*.

CPU2-640: Central processing unit (CPU) with integral 3.0 A (6.0 A in alarm) power supply for an NFS2-640 system. Includes control panel factory-mounted on a chassis; one Signaling Line Circuit expandable to two; documentation kit. *Order one per system or as necessary (up to 103 network nodes) on a network system. (Non-English versions also available: CPU2-640-FR, CPU2-640-PO, CPU2-640-SP.)*

CPU2-640E: Same as CPU2-640 but requires 240 VAC, 1.5 A, (3.0 A in alarm). *(Non-English versions also available: CPU2-640E-PO, CPU2-640E-SP.)*

NCA/640-2-KIT: Bracket installation kit required to mount NCA-2 to the CPU2-640/-640E's standard chassis.

DP-DISP2: Dress panel for top row in cabinet with CPU2-640/640E installed.

ADP2-640: Dress panel for middle rows with CPU2-640/640E.

BMP-1: Blank module for unused module positions.

BP2-4: Battery plate, required.

LEM-320: Loop Expander Module. Expands each NFS2-640 to two Signaling Line Circuits. See *DN-6881*.

NETWORKING OPTIONS

NCM-W, NCM-F: Standard Network Communications Modules. Wire and multi-mode fiber versions available. See *DN-6861*.

HS-NCM-W/MF/SF/WMF/WSF/MFSF: High-speed Network Communications Modules that can connect to two nodes. Wire, single-mode fiber, multi-mode fiber, and media conversion models are available. See *DN-60454*.

RPT-W, RPT-F, RPT-WF: Standard-network repeater board with wire connection (RPT-W), multi-mode fiber connection (RPT-F), or allowing a change in media type between wire and fiber (RPT-WF). Not used with high-speed networks. See *DN-6971*.

ONYXWorks: UL-listed graphics PC workstation, software, and computer hardware. See *DN-7048* for specific part numbers.

NFN-GW-EM-3: NFN Gateway, embedded. (Replaces NFN-GW-EM.) See *DN-60499*.

NWS-3: NOTI•FIRE•NET™ Web Server. See *DN-6928*.

CAP-GW: Common Alerting Protocol Gateway. See *DN-60756*.

VESDA-HLI-GW: VESDAnet high-level interface gateway. See *DN-60753*.

LEDSIGN-GW: UL-listed sign gateway. Interfaces with classic and high-speed NOTI•FIRE•NET networks through the NFN Gateway. See *DN-60679*.

OAX2-24V: UL-listed LED sign, used with LEDSIGN-GW. See *DN-60679*.

AUXILIARY POWER SUPPLIES AND BATTERIES

ACPS-610: 6.0 A or 10.0 A addressable charging power supply. See *DN-60244*.

APS2-6R: Auxiliary Power Supply. Provides up to 6.0 amperes of power for peripheral devices. Includes battery input and transfer relay, and overcurrent protection. Mounts on two of four positions on a CHS-4L or CHS-4 chassis. See *DN-5952*.

FCPS-24S6/S8: Remote 6 A and 8 A power supplies with battery charger. See *DN-6927*.

BAT Series: Batteries. NFS2-640 uses two 12 volt, 18 to 200 AH batteries. See *DN-6933*.

AUDIO OPTIONS

NOTE: For mounting hardware, see "Enclosures, Chassis, and Dress Plates" on page 7 and peripheral data sheets.

DVC-EM: Digital Voice Command, digital audio processor with message storage for up to 32 minutes of standard quality (4 minutes at high quality) digital audio. Capable of playing up to eight simultaneous messages when used with Digital Audio Loop (DAL) devices. See *DN-7045*.

DVC-RPU: Digital Voice Command Remote Paging Unit for use with DVC-EM. Includes the keypad/display. See *DN-60726*.

DS-DB: Digital Series Distribution Board, provides bulk amplification capabilities to the DVC-EM while retaining digital audio distribution capabilities. Can be configured with up to four DS-AMPs, supplying high-level risers spread throughout an installation. See *DN-60565*.

DVC-KD: DVC-EM keypad for local annunciation and controls; status LEDs and 24 user-programmable buttons. See *DN-7045*.

DS-AMPE: 125W, 25 VRMS, or 100W, 70VRMS. 70VRMS requires DS-XF70V step-up transformer. Digital Series Amplifier, part of the DS-DB system. See *DN-60663*.

DS-RFM, DS-FM, DS-SFM: Fiber conversion modules for DVC-EM, DS-DB distribution board, and DAX and DAA2 Series amplifiers. See *DN-60633*.

DVC-AO: DVC Analog Output board provides four analog output circuits for use with AA Series amplifiers. Four-channel operation supported. See *DN-7045*.

DAA2-5025(E): 50W, 25 Vrms Digital Audio Amplifier assembly with power supply; includes chassis. See *DN-60556*.

DAA2-5070(E): 50W, 70.7 Vrms Digital Audio Amplifier assembly with power supply; includes chassis. See *DN-60556*.

DAA2-7525(E): 75W, 25 Vrms digital audio amplifier assembly with power supply; includes chassis. See *DN-60556*.

DAX-3525(E): 35W, 25 Vrms Digital Audio Amplifier assembly with power supply, includes chassis. See *DN-60561*.

DAX-3570(E): 35W, 70.7 Vrms Digital Audio Amplifier assembly with power supply, includes chassis. See *DN-60561*.

DAX-5025(E): 50W, 25 Vrms Digital Audio Amplifier assembly with power supply, includes chassis. See *DN-60561*.

DAX-5070(E): 50W, 70.7 Vrms Digital Audio Amplifier assembly with power supply, includes chassis. See *DN-60561*.

TELH-1: Firefighter's Telephone Handset for use with the DVC-EM when mounted in the CA-2 chassis. See *DN-7045*.

CMIC-1: Optional microphone and microphone well assembly used with the CA-1 chassis.

RM-1/RM-1SA: Remote microphone assemblies, mount on ADP-4 (RM-1) dress panel or CAB-RM/RMR (RM-1SA) stand-alone cabinets. See *DN-6728*.

AA-30: Audio Amplifier, 30 watts, 25 Vrms. Includes amplifier and audio input supervision, backup input, and automatic switchover, power supply, cables. See *DN-3224*.

AA-120/AA-100: Audio Amplifier provides up to 120 watts of 25 VRMS audio power for the NFS-640. The amplifier contains an integral chassis for mounting to a CAB-B4, -C4, or -D4 backbox (consumes one row). Switch-mode power. Includes audio input and amplified output supervision, backup input, and automatic switchover to backup tone. Order the AA-100 for 70.7 VRMS systems and 100 watts of power. See *DN-3224*.

DAA Series Digital Audio Amplifiers: Legacy DAA Series amplifiers are compatible with DVC-EM systems running SR4.0. For specific information on DAA-50 series amplifiers, refer to *DN-7046*. For information on DAA-7525 Series, refer to *DN-60257*.

NFC-25/50: 25 watt, 25 VRMS, emergency Voice Evacuation Control Panel (VECP) with integral commercial microphone, digital message generator, and single-/dual-channel Class A or Class B speaker circuits. See *DN-60772*.

COMPATIBLE DEVICES, EIA-232 PORTS

PRN-6: 80-column printer. See *DN-6956*.

PRN-7: 80-column printer. See *DN-60897*.

VS4095/5: Printer, 40-column, 24V. Mounted in external backbox. See *DN-3260*.

DPI-232: Direct Panel Interface, specialized modem for extending serial data links to remotely located FACPs and/or peripherals. See *DN-6870*.

COMPATIBLE DEVICES, EIA-485 PORTS

ACM-24AT: ONYX Series ACS annunciator – up to 96 points of annunciation with Alarm or Active LED, Trouble LED, and switch per circuit. Active/Alarm LEDs can be programmed (by powered-up switch selection) by point to be red, green, or yellow; the Trouble LED is always yellow. See *DN-6862*.

AEM-24AT: Same LED and switch capabilities as ACM-24AT, expands the ACM-24AT to 48, 72, or 96 points. See *DN-6862*.

ACM-48A: ONYX Series ACS annunciator – up to 96 points of annunciation with Alarm or Active LED per circuit. Active/Alarm LEDs can be programmed (by powered-up switch selection) in groups of 24 to be red, green, or yellow. Expandable to 96 points with one AEM-48A. See *DN-6862*.

AEM-48A: Same LED capabilities as ACM-48A, expands the ACM-48A to 96 points. See *DN-6862*.

ACM-8R: Remote Relay Module with eight Form-C contacts. Can be located up to 6,000 ft. (1828.8 m) from panel on four wires. See *DN-3558*.

FDU-80: Terminal mode. 80-character, backlit LCD display. Mounts up to 6,000 ft. (1828.8 m) from panel. Up to 32 per FACP. See *DN-6820*.

LCD2-80: Terminal and ACS mode. 80-character, backlit LCD display. Mounts up to 6,000 ft. (1828.8 m) from panel. Up to 32 per FACP. See *DN-60548*.

LDM: Lamp Driver Modules LDM-32, LDM-E32, and LDM-R32; remote custom graphic driver modules. See *DN-0551*.

SCS: Smoke control stations SCS-8, SCE-8, with lamp drivers SCS-8L, SCE-8L; eight (expandable to 16) circuits (HVAC only). See *DN-4818*.

TM-4: Transmitter Module. Includes three reverse-polarity circuits and one municipal box circuit. Mounts in panel module position (single-address-style) or in CHS2-M2 position. See *DN-6860*.

UDACT-2: Universal Digital Alarm Communicator Transmitter, 636 channel. See *DN-60686*.

UZZ-256: Programmable Universal Zone Coder provides positive non-interfering successive zone coding. Microprocessor-controlled, field-programmable from IBM®-compatible PCs (requires optional programming kit). Up to 256 programmable codes. Mounts in **BB-UZZ** or other compatible chassis (purchased separately). See *DN-3404*.

COMPATIBLE INTELLIGENT DEVICES

FWSG Wireless SWIFT Gateway: Addressable gateway supports wireless SLC devices. Not appropriate for ULC applications. See *DN-60820*.

FSA-5000: Intelligent FFAST® XS Fire Alarm Aspiration Sensing Technology. Intelligent aspirating smoke detector for applications up to 5,000 sq.ft. For Canadian applications, order FSA-5000A.

FSA-8000: Intelligent FFAST® XM Fire Alarm Aspiration Sensing Technology. Intelligent aspirating smoke detector for applications up to 8,000 sq.ft. For Canadian applications, order FSA-8000A. See *DN-60792*.

FSA-20000: Intelligent FFAST® XT Fire Alarm Aspiration Sensing Technology. Intelligent aspirating smoke detector for applications up to 28,800 sq.ft. For Canadian applications, order FSA-20000A. See *DN-60849*.

FSB-200: Intelligent beam smoke detector. See *DN-6985*.

FSB-200S: Intelligent beam smoke detector with integral sensitivity test. See *DN-6985*.

FSC-851: FlashScan IntelliQuad Advanced Multi-Criteria Detector. See *DN-60412*.

FCO-851: FlashScan IntelliQuad PLUS Advanced Multi-Criteria Fire/CO Detector. See *DN-60689*.

FSI-851: Low-profile FlashScan ionization detector. See *DN-6934*.

FSP-851: Low-profile FlashScan photoelectric detector. See *DN-6935*.

FSP-851T: FSP-851 plus dual electronic thermistors that add 135°F (57°C) fixed-temperature thermal sensing. See *DN-6935*.

FSP-851R: FSP-851, remote-test capable. For use with DNR(W). See *DN-6935*.

FST-851: FlashScan thermal detector 135°F (57°C). See *DN-6936*.

FST-851R: FlashScan thermal detector 135°F (57°C) with rate-of-rise. See *DN-6936*.

FST-851H: FlashScan 190°F (88°C) high-temperature thermal detector. See *DN-6936*.

FAPT-851: FlashScan Acclimate Plus low-profile multi-sensor detector. See *DN-6937*.

FSL-751: FlashScan VIEW laser photo detector. See *DN-6886*.

DNR: InnovairFlex low-flow non-relay duct-detector housing (order FSP-851R separately). Replaces FSD-751PL/FSD-751RPL. See *DN-60429*.

DNRW: Same as above with NEMA-4 rating, watertight. See *DN-60429*.

B224RB: Low-profile relay base. See *DN-60054*.

B224BI: Isolator base for low-profile detectors. See *DN-60054*.

B210LP: Low-profile base. Standard U.S. style. Replaces B710LP. See *DN-60054*.

B501: European-style, 4" (10.16 cm) base. See *DN-60054*.

B200S: Intelligent programmable sounder base, capable of producing a variety of tone patterns including ANSI Temporal 3. Compatible with synchronization protocol. See *DN-60054*.

B200S-LF: Low-frequency version of B200S. See *DN-60054*.

B200SCOA: Based on B200SA, with added CO detector markings in English/French. For Canadian applications only.

B200SR: Sounder base, Temporal 3 or Continuous tone. See *DN-60054*.

B200SR-LF: Low-frequency version of B200SR. See *DN-60054*.

FMM-1: FlashScan monitor module. See *DN-6720*.

FDM-1: FlashScan dual monitor module. See *DN-6720*.

FZM-1: FlashScan two-wire detector monitor module. See *DN-6720*.

FMM-101: FlashScan miniature monitor module. See *DN-6720*.

FTM-1: Firephone Telephone Module connects a remote firefighter telephone to a centralized telephone console. Reports status to panel. Wiring to jacks and handsets is supervised. See *DN-6989*.

FCM-1: FlashScan control module. See *DN-6720*.

FCM-1-REL: FlashScan releasing control module. See *DN-60390*.

FRM-1: FlashScan relay module. See *DN-6720*.

FDRM-1: FlashScan dual monitor/dual relay module. See *DN-60709*.

NBG-12LX: Manual pull station, addressable. See *DN-6726*.

ISO-X: Isolator module. See *DN-2243*.

ISO-6: Six Fault isolator module. For Canadian applications order ISO-6A. See *DN-60844*.

XP6-C: FlashScan six-circuit supervised control module. See *DN-6924*.

XP6-MA: FlashScan six-zone interface module; connects intelligent alarm system to two-wire conventional detection zone. See *DN-6925*.

XP6-R: FlashScan six-relay (Form-C) control module. See *DN-6926*.

XP10-M: FlashScan ten-input monitor module. See *DN-6923*.

SLC-IM: SLC integration module, for VESDAnet detectors. See *DN-60755*.

ENCLOSURES, CHASSIS, AND DRESS PLATES

CAB-4 Series Enclosure: NFS2-640 mounts in a standard CAB-4 Series enclosure (available in four sizes, "A" through "D"). Backbox and door ordered separately; requires BP2-4 battery plate. A trim ring option is available for semi-flush mounting. See *DN-6857*.

EQ Series Cabinets: EQ series cabinets will house amplifiers, power supplies, battery chargers and control modules. EQ cabinets are available in three sizes, "B" through "D". See *DN-60229*.

CAB-BM Marine System: Protects equipment in shipboard and waterfront applications. Also order **BB-MB** for systems using 100 AH batteries. For a full list of required and optional equipment, see *DN-60688*.

CHS-4: Chassis for mounting up to four APS-6Rs.

CHS-4L: Low-profile four-position Chassis. Mounts two AA-30 amplifiers or one AMG-E and one AA-30.

DP-1B: Blank dress panel. Provides dead-front panel for unused tiers; covers DAA2/DAX series or AA-series amplifier.

NFS-LBB: Battery Box (required for batteries larger than 26 AH).

NFS-LBBR: Same as above but red.

CHS-BH1: Battery chassis; holds two 12.0 AH batteries. Mounts one the left side of DAA2 chassis. See *DN-7046*.

CA-1: Chassis, occupies one tier of a CAB-4 Series enclosure. The left side accommodates one DVC-EM and a DVC-KD (optional); and the right side houses a CMIC-1 microphone and its well (optional). See *DN-7045*.

CA-2: Chassis assembly, occupies two tiers of a CAB-4 Series enclosure. The left side accommodates one DVC-EM mounted on a half-chassis and one NCA-2 mounted on a half-chassis. The right side houses a microphone/handset well. The CA-2 assembly includes CMIC-1 microphone. ADDR Series doors with two-tier visibility are available for use with the CA-2 configuration: ADDR-B4, ADDR-C4, ADDR-D4 (below).

CFFT-1: Chassis to mount firefighter's telephone and one ACS annunciator in a CAB-4 row. Includes TELH-1 firefighter's handset for the DVC-EM, chassis, phone well and mounting hardware. Order DP-CFFT dress panel separately.

DP-CFFT: CFFT-1 dress panel. Requires BMP-1 if no ACS annunciator is installed.

ADDR-B4*: Two-tier-sized door designed for use with the CA-2 chassis configuration. ADDR Series doors are similar to CAB-4 Series "DR" doors, but a clear window space exposes the top two tiers of the CAB-4 enclosure. Use an SBB-B4 backbox with the ADDR-B4. See *DN-7045, DN-6857*.

ADDR-C4*: Three-tier-sized door, designed for use with the CA-2 chassis configuration. ADDR Series doors are similar to CAB-4 Series "DR" doors, but a clear window space exposes the top two tiers of the CAB-4 enclosure. Use an SBB-C4 backbox with the ADDR-C4. See *DN-7045, DN-6857*.

ADDR-D4*: Four-tier-sized door designed for use with the CA-2 chassis configuration. ADDR Series doors are similar to CAB-4 Series "DR" doors, but a clear window space exposes

the top two tiers of the CAB-4 enclosure. Use an SBB-D4 backbox with the ADDR-D4. See *DN-7045, DN-6857*.

*Use ADDR-B4/C4/D4 when CA-2 chassis is installed in top two rows with NCA-2 or BP-CA2. Use standard door when CA-2 is not installed in top two rows. For additional configuration information, see the DVC application guide on <http://esd.notifier.com>.

DPA-1: Dress panel, used with the CA-1 chassis when configured with a DVC-EM, DVC-KD, and CMIC-1. See *DN-7045*.

DPA-2B: Dress panel used with CA-2 chassis assembly.

VP-2B: Dress panel, required when CA-2 chassis is installed in the top two cabinet rows.

DPA-1A4: Dress panel, used with the CA-1 chassis when the CMIC-1 is not used. Provides mounting options on right two bays for two ACS annunciators, or for blank plates. See *DN-7045*.

BP-CA2: Blank plate for CA-2 chassis.

BB-UZC: Backbox for housing the UZC-256 in applications where the UZC-256 will not fit in panel enclosure. Black; for red, order BB-UZC-R.

SEISKIT-CAB: Seismic mounting kit. Required for seismic-certified applications with NFS2-640 and other equipment mounted in CAB-4 Series Enclosures. Includes battery bracket for two 26 AH batteries.

SEISKIT-LBB: Seismic kit for the NFS-LBB. Includes battery bracket for two 55 AH batteries.

OTHER OPTIONS

411: Slave digital alarm communicator. See *DN-6619*.

411UDAC: Digital alarm communicator. See *DN-6746*.

IPDACT-2/2UD, IPDACT Internet Monitoring Module: Connects to primary and secondary DACT telephone output ports for internet communications over customer-provided Ethernet connection. Requires compatible Teldat VisorALARM Central Station Receiver. Can use DHCP or static IP. See *DN-60408*.

IPCHSKIT: IP Communicator Chassis Mounting Kit. For mounting an IPDACT-2/2UD onto the panel chassis or CHS-4 series chassis. Use IPENC for external mounting applications.

IPSPLT: Y-adaptor option allow connection of both panel dialer outputs to one IPDACT-2/2UD cable input.

IPENC: External enclosure for IPDACT, includes IPBRKT mounting bracket; Red. For Black order IPENC-B.

IPGSM-4G: Internet and Digital Cellular Fire Alarm Communicator. Provides selectable configurable paths: cellular only, IP only, or IP primary with cellular backup. Connects to the primary and secondary ports of a DACT. For Canadian applications order IPGSM-4GC. See *DH-60769*.

NOTE: For other options including compatibility with retrofit equipment, refer to the panel's installation manual, the SLC manual, and the Device Compatibility Document.

System Specifications

SYSTEM CAPACITY

- Intelligent Signaling Line Circuits 1 expandable to 2
- Intelligent detectors 159 per loop
- Addressable monitor/control modules 159 per loop
- Programmable software zones 99
- Special programming zones 14
- LCD annunciators per CPU2-640/-640E and NCA-2 (*observe power*) 32
- ACS annunciators per CPU2-640/-640E 32 addresses x 64 points

- ACS annunciators per NCA-2..... 32 addresses x 64 or 96 points

NOTE: The NCA-2 supports up to 96 annunciator address points per ACM-24AT/-48A.

ELECTRICAL SPECIFICATIONS

- Primary input power:
 - CPU2-640 board: 120 VAC, 50/60 Hz, 5.0 A.
 - CPU2-640E board: 220/240 VAC, 50/60 Hz, 2.5 A.
- Current draw (standby/alarm):
 - CPU2-640(E) board: 0.250 A. Add 0.035 A for each NAC in use.
 - KDM-R2: 0.100 A.
 - LEM-320: 0.100 A.
- Total output 24 V power: 6.0 A in alarm.

NOTE: The power supply has a total of 6.0 A. of available power. This is shared by all internal circuits. See Installation Manual for a complete current draw calculation sheet.

- Standard notification circuits (4): 1.5 A each.
- Resettable regulated 24V power: 1.25 A.
- Two non-resettable regulated 24V power outputs:
 - 1.25 A.
 - 0.50 A.
- Non-resettable 5V power: 0.15 A.
- Battery charger range: 18 AH – 200 AH. Use separate cabinet for batteries over 26 AH.
- Float rate: 27.6 V.

CABINET SPECIFICATIONS

- Systems can be installed in CAB-4 Series cabinets (*four sizes with various door options, see DN-6857*). Requires BP2-4 Battery Plate.

SHIPPING WEIGHT

- CPU2-640/-640: 14.3 lb (6.49 kg).
- CPU2-640/-640E: 14.55 lb (6.60 kg).

TEMPERATURE AND HUMIDITY RANGES

This system meets NFPA requirements for operation at 0 – 49°C/32 – 120°F and at a relative humidity 93% ± 2% RH (noncondensing) at 32°C ± 2°C (90°F ± 3°F). However, the useful life of the system's standby batteries and the electronic components may be adversely affected by extreme temperature ranges and humidity. Therefore, it is recommended that this system and its peripherals be installed in an environment with a normal room temperature of 15 – 27°C/60 – 80°F.

AGENCY LISTINGS AND APPROVALS

The listings and approvals below apply to the basic NFS2-640 control panel. In some cases, certain modules may not be listed by certain approval agencies, or listing may be in process. Consult factory for latest listing status.

- **UL Listed:** S635.
- **ULC Listed:** S635.
- **FM Approved.**
- **MEA:** 128-07-E.
- **Fire Dept. of New York:** #6121.
- **CSFM:** 7165-0028:0243.
- **City of Chicago.**

- **City and County of Denver.**
- **CCCCF listed.**

Marine Applications: Marine approved systems must be configured using components itemized in this document. (See Main System Components, in "Product Line Information.") Specific connections and requirements for those components are described in the installation document, PN 54756. When these requirements are followed, systems are approved by the following agencies:

- **US Coast Guard** 161.002/50/0, 161.002/55/0 (Standard 46 CFR and 161.002).
- **Lloyd's Register** 11/600013 (ENV 3 category).
- **American Bureau of Shipping** (ABS) Type Approval.

NOTE: For information on marine applications, see DN-60688.

STANDARDS

The NFS2-640 complies with the following UL Standards and NFPA 72, International Building Code (IBC), and California Building Code (CBC) Fire Alarm Systems requirements:

- **UL 864, 9th Edition** (Fire).
- **UL 1076** (Burglary).
- **UL 2572** (Mass Notification Systems). (NFS2-640 version 20 or higher.)
- **LOCAL** (Automatic, Manual, Waterflow and Sprinkler Supervisory).
- **AUXILIARY** (Automatic, Manual and Waterflow) (requires TM-4).
- **REMOTE STATION** (Automatic, Manual, Waterflow and Sprinkler Supervisory) (requires TM-4).
- **PROPRIETARY** (Automatic, Manual and Waterflow). *Not applicable for FM.*
- **EMERGENCY VOICE/ALARM.**
- **OT, PSDN** (Other Technologies, Packet-switched Data Network).
- **IBC 2012, IBC 2009, IBC 2006, IBC 2003, IBC 2000** (Seismic).
- **CBC 2007** (Seismic).

IntelliQuad™, NOTI•FIRE•NET™, ONYXWorks™, and SWIFT™ are trademarks; and Acclimate® Plus™, FirstCommand®, FlashScan®, Intelligent FAAST®, NOTIFIER®, ONYX®, VeriFire® Tools, and VIEW® are registered trademarks of Honeywell International Inc. Microsoft® and Windows® are registered trademarks of Microsoft Corporation. IBM® is a registered trademark of IBM Corporation. ©2016 by Honeywell International Inc. All rights reserved. Unauthorized use of this document is strictly prohibited.



This document is not intended to be used for installation purposes. We try to keep our product information up-to-date and accurate. We cannot cover all specific applications or anticipate all requirements. All specifications are subject to change without notice.



For more information, contact Notifier. Phone: (203) 484-7161, FAX: (203) 484-7118. www.notifier.com