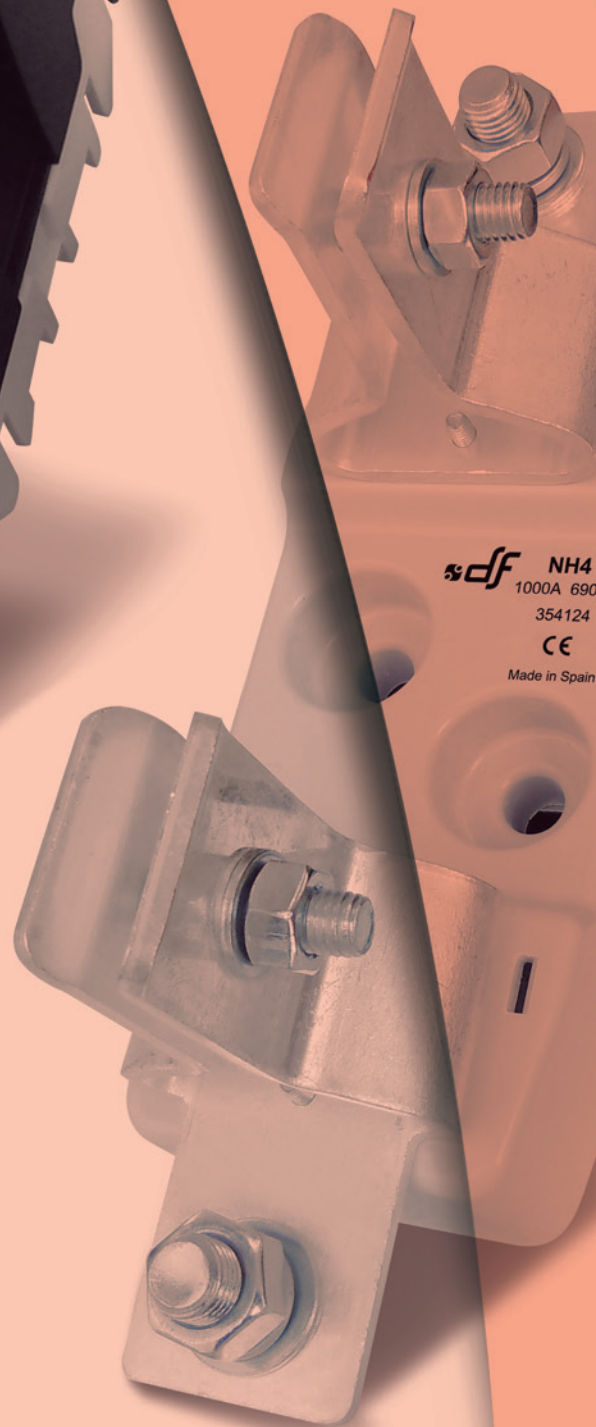
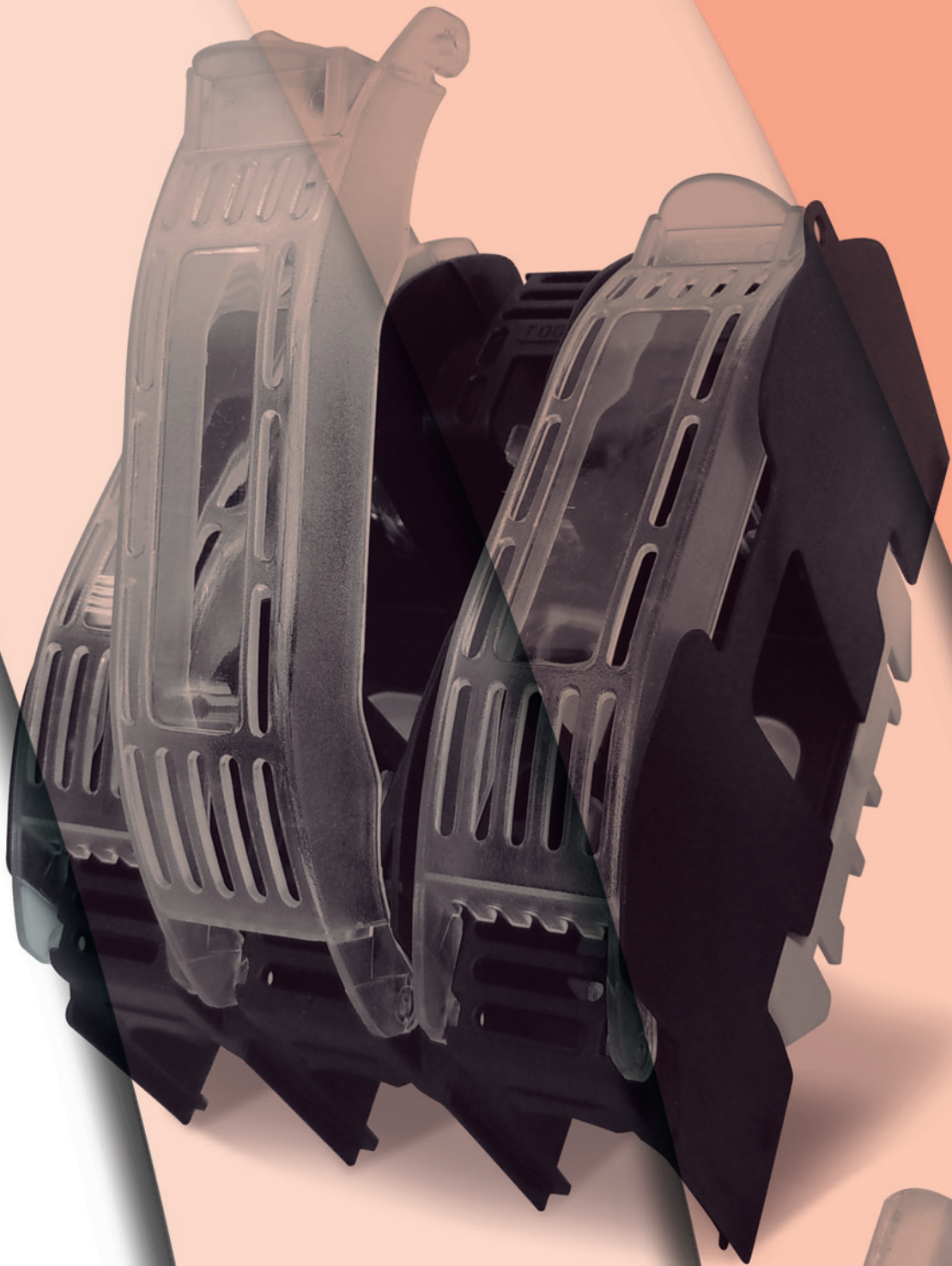


**sdf** Electric

**sdf** NH4  
1000A 690V-  
354124  
CE  
Made in Spain

fuse bases  
**NH**



**sdF** NH4  
1000A 690  
354124  
CE  
Made in Spain

# NH

## FUSE BASES

- PAGE **14** | ST 690V NH FUSE BASES
- PAGE **16** | ACCESSORIES FOR NH FUSE BASES
- PAGE **18** | CR 690V NH FUSE BASES
- PAGE **20** | SECTIONABLE NEUTRAL NH BASES
- PAGE **21** | BS FUSE SWITCH DISCONNECTORS

## ST NH FUSE BASES

690V

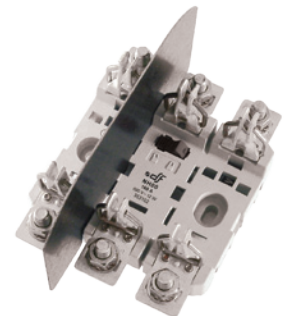
Fuse bases for NH fuse links. For mounting on DIN/EN rail or with screw fixing. Single-phase or three-pole type. Connection by screws, fixed nut or clamps. Wide range of accessories (contact covers, fuse link covers, partition walls) that enables IP20 protection index. Multi-pole units can be made with connection accessories. NH ST fuse bases are made of self-extinguishable materials and have silver plated copper contacts. There are two contact styles, one of them with double spring in order to obtain an optimum operation. Manufactured according IEC, EN and DIN standards.

[www.df-sa.es/NH/fusebases/ST/](http://www.df-sa.es/NH/fusebases/ST/)

NH00  
160A

SINGLE  
POLE

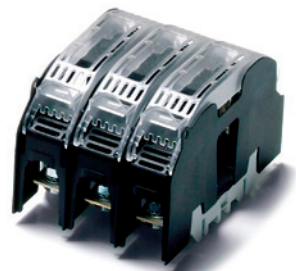
DESCRIPTION	REFERENCE	U (V AC)	PACKING Uni./BOX
<b>SCREW FIXING</b>			
SCREW CONNECTION	354100	690	3/54
CLAMP CONNECTION	354105	690	3/54
CLAMP-SCREW CONNECTION	354110	690	3
FIXED SCREW CONNECTION	354115	690	3/54
<b>RAIL + SCREW FIXING</b>			
SCREW CONNECTION	352100	690	3/54
CLAMP CONNECTION	352105	690	3
CLAMP-SCREW CONNECTION	352110	690	3
FIXED SCREW CONNECTION	352115	690	3/54



353102

THREE  
POLE

<b>RAIL + SCREW FIXING</b>			
SCREW CONNECTION	353102	690	1/20
CLAMP CONNECTION	353105	690	1/20
CLAMP-SCREW CONNECTION	353110	690	1/20
FIXED NUT CONNECTION	353115	690	1/20
<b>RAIL + SCREW FIXING WITH TERMINAL COVERS</b>			
SCREW CONNECTION	335120	690	1
CLAMP CONNECTION	335125	690	1
CLAMP-SCREW CONNECTION	335130	690	1
FIXED NUT CONNECTION	335135	690	1



334717

<b>RAIL + SCREW FIXING IP20 PROTECTION</b>			
SCREW CONNECTION	334717	690	1
CLAMP CONNECTION	334720	690	1
CLAMP-SCREW CONNECTION	334725	690	1
FIXED NUT CONNECTION	334730	690	1

NH0  
160A

SINGLE  
POLE

SCREW FIXING - SCREW CONNECTION	354160	690	3
RAIL + SCREW FIXING - SCREW CONNECTION	352160	690	3



352160

THREE  
POLE

SCREW FIXING - SCREW CONNECTION	355160	690	1
RAIL + SCREW FIXING - SCREW CONNECTION	353160	690	1



355160

STANDARDS	APPROVALS
IEC 60269-1 IEC 60269-2 EN 60269-1 EN 60269-2 DIN 43620	RoHS compliant 2002/95/EC

TECHNICAL TECHNICAL DATA	TECHNICAL ACCESSORIES ASSEMBLY SYSTEM	TECHNICAL DIMENSIONS
PAGE 22	PAGE 38	PAGE 38

COMPATIBLE gG 500V NH FUSE LINKS	COMPATIBLE gG 690V NH FUSE LINKS	COMPATIBLE aM 500V & 690V NH FUSE LINKS
PAGE 02	PAGE 04	PAGE 06

# NH FUSE BASES

## ST NH FUSE BASES

690V

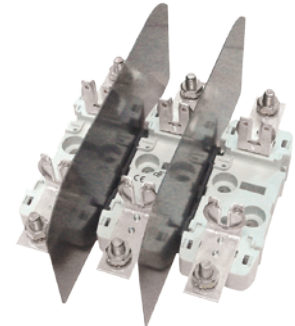
**NH1  
250A**

SINGLE  
POLE

DESCRIPTION	REFERENCE	U (V AC)	PACKING
SCREW FIXING - SCREW CONNECTION	354250	690	3
RAIL + SCREW FIXING - SCREW CONNECTION	352250	690	3

THREE  
POLE

SCREW FIXING - SCREW CONNECTION	355250	690	1
RAIL + SCREW FIXING - SCREW CONNECTION	353250	690	1



355255

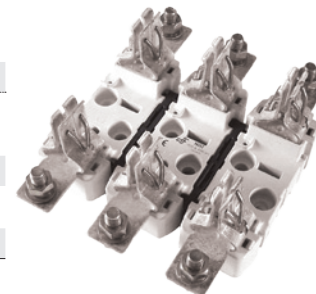
**NH2  
400A**

SINGLE  
POLE

SCREW FIXING			
SCREW CONNECTION	354400	690	3
FIXED NUT CONNECTION	354251	690	3
RAIL + SCREW FIXING - SCREW CONNECTION	352400	690	3

THREE  
POLE

SCREW FIXING - SCREW CONNECTION	355400	690	1
RAIL DIN FIXING - SCREW CONNECTION	353400	690	1



355400

**NH3  
630A**

SINGLE  
POLE

SCREW FIXING - SCREW CONNECTION	354630	690	3
RAIL + SCREW FIXING - SCREW CONNECTION	352630	690	3

THREE  
POLE

SCREW FIXING - SCREW CONNECTION	355630	690	1
RAIL + SCREW FIXING - SCREW CONNECTION	353630	690	1



352630

**NH4**

1000A

SINGLE  
POLE

SCREW FIXING - SCREW CONNECTION	354124	690	1
---------------------------------	--------	-----	---

1250A

SINGLE  
POLE

SCREW FIXING			
SCREW CONNECTION	354125	690	1
2 SCREWS M10 CONNECTION	354128	690	1
2 SCREWS M10 CONNECTION W/MIC	356128	690	1

2500A

SINGLE  
POLE

SCREW FIXING			
ST NH FUSE BASE 2500A GROUP	354127	690	1
ST NH FUSE BASE 2500A GROUP W/MIC	356127	690	1



354127

## ST WITH MICROSWITCH NH FUSE BASES

Fuse bases for NH fuse links with striker. For mounting on DIN/EN rail or screw fixing. Connection by screws. NH ST fuse bases are made with self-extinguishable materials and have silver plated copper contacts with double spring in order to obtain optimum operation. Manufactured according IEC, EN and DIN standards.

[www.df-sa.es/NH/fusebases/ST/microswitch/](http://www.df-sa.es/NH/fusebases/ST/microswitch/)

690V

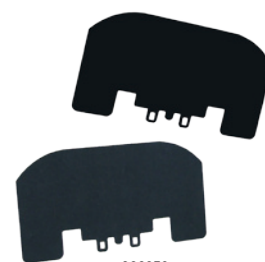
	DESCRIPTION	REFERENCE	U (V)	PACKING
<b>NH0</b> 160A SINGLE POLE	RAIL + SCREW FIXING - SCREW CONNECTION	<b>356160</b>	690	1
<b>NH1</b> 250A SINGLE POLE	RAIL + SCREW FIXING - SCREW CONNECTION	<b>356250</b>	690	1
<b>NH2</b> 400A SINGLE POLE	RAIL + SCREW FIXING - SCREW CONNECTION	<b>356400</b>	690	1
<b>NH3</b> 630A SINGLE POLE	RAIL + SCREW FIXING - SCREW CONNECTION	<b>356630</b>	690	1
<b>NH4</b> 1000A 1250A SINGLE POLE	SCREW FIXING			
	SCREW CONNECTION	<b>356100</b>	690	1
	SCREW CONNECTION	<b>356125</b>	690	1



356250

## ST NH FUSE BASES ACCESSORIES PARTITION WALLS

	SIZE	I <sub>n</sub> (A)	REFERENCE	DESCRIPTION	PACKING
<b>NH00</b> <b>NH0</b> <b>NH1</b> <b>NH2</b> <b>NH3</b> <b>NH4</b>	NH00	160	<b>326100</b>	SNAP-ON FIXING	2
	NH0	160	<b>326160</b>	SNAP-ON FIXING	2
	NH1 - NH2	250/400	<b>326250</b>	SNAP-ON FIXING	2
	NH3	630	<b>326630</b>	SNAP-ON FIXING	2
	NH4	1250	<b>343125</b>	SCREW FIXING	1



326250

## ST NH FUSE BASES ACCESSORIES SEPARATORS

	SIZE	REFERENCE	PACKING
<b>NH00</b> <b>NH0</b> <b>NH1</b> <b>NH2</b> <b>NH3</b>	NH00	<b>325100</b>	2
	NH0	<b>325160</b>	2
	NH1 - NH2	<b>325250</b>	2
	NH3	<b>325630</b>	2



325100

STANDARDS
IEC 60269-1 IEC 60269-2 EN 60269-1 EN 60269-2 DIN 43620

APPROVALS

TECHNICAL
TECHNICAL DATA
PAGE <b>22</b>

TECHNICAL
ACCESSORIES ASSEMBLY SYSTEM
PAGE <b>38</b>

TECHNICAL
DIMENSIONS
PAGE <b>40</b>

COMPATIBLE
gG 500V WITH STRIKER NH FUSE LINKS
PAGE <b>08</b>

COMPATIBLE
gG 690V WITH STRIKER NH FUSE LINKS
PAGE <b>10</b>

COMPATIBLE
aM 500V & 690V WITH STRIKER NH FUSE LINKS
PAGE <b>12</b>

## ST NH FUSE BASES ACCESSORIES TERMINAL COVERS

SIZE	REFERENCE	DESCRIPTION	PACKING
NH00 SINGLE POLE	325000		6
NH00 THREE POLE INTEGRAL	325009	PARTITION WALLS INCORPORATED	1
NH0	325001		6
NH1	325002		6
NH2	325003		6
NH3	325007		6



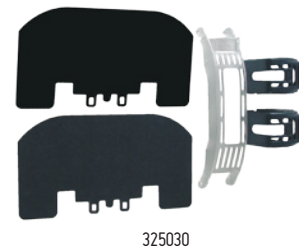
## ST NH FUSE BASES ACCESSORIES FUSE LINKS COVERS

SIZE	REFERENCE	PACKING
NH00	325010	3
NH0	325015	3
NH1 - NH2	325020	3
NH3	325025	3



## ST NH FUSE BASES ACCESSORIES IP20 PROTECTION KITS

SIZE	REFERENCE	PACKING
NH00 SINGLE POLE	325030	1
NH00 THREE POLE	325032	1
NH0 THREE POLE	325036	1
NH1 THREE POLE	325041	1
NH2 THREE POLE	325046	1
NH3 THREE POLE	325051	1



## ST NH FUSE BASES ACCESSORIES MICROSWITCHES

SIZE	REFERENCE	DESCRIPTION	PACKING
NH0	357160	16A-250V PRESENCE - FUSION	1
NH1	357250	16A-250V PRESENCE - FUSION	1
NH2	357400	16A-250V PRESENCE - FUSION	1
NH3	357630	16A-250V PRESENCE - FUSION	1



## ST NH FUSE BASES ACCESSORIES MICROSWITCHES FOR NH LINKS

REFERENCE	DESCRIPTION	PACKING
357010	NH000/00/0/C1/1/C2/2/C3/3	1/12



NH000  
NH00  
NH0  
NHC1  
NH1  
NHC2  
NH2  
NHC3  
NH3

## CR NH FUSE BASES

Fuse bases for NH fuse links. For screw fixing. Single-phase or three-pole type. Connection by screws. NH CR fuse bases are made of ceramics and have silver plated copper contacts. There are two contact styles, one of them with double spring in order to obtain an optimum operation. Manufactured according IEC, EN and DIN standards.

[www.df-sa.es/NH/fusebases/CR/](http://www.df-sa.es/NH/fusebases/CR/)

690V

DESCRIPTION	REFERENCE	U (V)	PACKING Uni./BOX
-------------	-----------	----------	---------------------

NH00

SINGLE POLE

SCREW CONNECTION	<b>350100</b>	690	3/72
------------------	---------------	-----	------

THREE POLE

SCREW CONNECTION	<b>351100</b>	690	1/15
------------------	---------------	-----	------



350100

NH1

SINGLE POLE

SCREW CONNECTION	<b>350160</b>	690	3
------------------	---------------	-----	---

THREE POLE

SCREW CONNECTION	<b>351160</b>	690	1
------------------	---------------	-----	---



320160

NH2

SINGLE POLE

SCREW CONNECTION	<b>350400</b>	690	3
------------------	---------------	-----	---

THREE POLE

SCREW CONNECTION	<b>351400</b>	690	1
------------------	---------------	-----	---



351400

NH3

SINGLE POLE

SCREW CONNECTION	<b>350630</b>	690	3
------------------	---------------	-----	---

THREE POLE

SCREW CONNECTION	<b>351630</b>	690	1
------------------	---------------	-----	---

STANDARDS	APPROVALS
IEC 60269-1 IEC 60269-2 EN 60269-1 EN 60269-2 DIN 43620	RoHS compliant

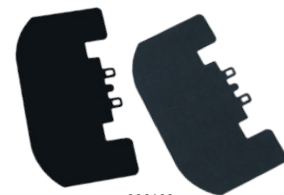
TECHNICAL	TECHNICAL
TECHNICAL DATA	DIMENSIONS
PAGE 22	PAGE 42

COMPATIBLE	COMPATIBLE	COMPATIBLE
gG 500V NH FUSE LINKS	gG 690V NH FUSE LINKS	aM 500V & 690V NH FUSE LINKS
PAGE 02	PAGE 04	PAGE 06



## CR NH FUSE BASES ACCESSORIES PARTITION WALLS

SIZE	In (A)	REFERENCE	PACKING
<b>SNAP-ON FIXING</b>			
NH00	160	326100	2
NH0	160	326102	2
NH1 - NH2	250/400	326250	2
NH3	630	326630	2
<b>SCREW FIXING</b>			
NH00	160	342100	2
NH0	160	342160	2
NH1 - NH2	250/400	342250	2
NH3	630	342630	2



326100



342100

## ST CR NH FUSE BASES ACCESSORIES NEUTRAL LINKS

SIZE	In (A)	REFERENCE	PACKING Uni./BOX
NH00	160	341100	3/90
NH0	160	341160	3
NH1	250	341250	3
NH2	400	341400	3
NH3	630	341630	3
NH4	1250	340125	1



450125



340125

## ST CR NH FUSE BASES ACCESSORIES REPLACEMENT HANDLE

SIZE	In (A)	REFERENCE	PACKING
NH00 - 0 - 1 - 2 - 3 - 4	160	340001	5



## ST CR NH FUSE BASES ACCESSORIES TERMINALS

SIZE	CROSS SECTION min ... MAX (mm <sup>2</sup> )	REFERENCE	PACKING
<b>1 CABLE</b>			
NH00	6 ... 50	343100	3
NH00 - NH0	10 ... 95	343160	3
NH1	16 ... 150	343400	3
NH2 - NH3	50 ... 240	343630	3
<b>2 CABLES</b>			
NH00	6 ... 50	344100	3
NH00 - NH0	10 ... 95	344160	3
NH1	25-16 ... 150	344400	3
NH2 - NH3	95-50 ... 240	344630	3



343100



344100

## SECTIONABLE NEUTRAL NH FUSE BASES

Neutral bases for mounting on DIN/EN rail or with screw fixing. Connection by screws or clamps. NH00 and NHO can be mounted in NH ST fuse bases with connection accessories. Made of self-extinguishable materials and have silver plated copper contacts.

[www.df-sa.es/NH/fusebases/sectionableneutral/](http://www.df-sa.es/NH/fusebases/sectionableneutral/)

	$I_n$ (A)	REFERENCE	U (V)	POLES	PACKING Uni./BOX
<b>CONNECTION SCREW – SCREW</b>					
<b>NH00</b>	160	<b>334103</b>	690	1	3/90
<b>NHO</b>	250	<b>334160</b>	690	1	3/30
<b>NH1 NH2 NH3</b>	630	<b>334251</b>	690	1	3



334103

<b>CONNECTION CLAMP – SCREW</b>					
<b>NH00</b>	160	<b>334101</b>	690	1	3/90
<b>NHO</b>	250	<b>334161</b>	690	1	3/30



334101

<b>CONNECTION CLAMP – CLAMP</b>					
<b>NH00</b>	160	<b>334102</b>	690	1	3/90
<b>NHO</b>	250	<b>334162</b>	690	1	3/30



334102

## BS THREE POLE NH FUSE SWITCH DISCONNECTORS

Three-phase fuse switch disconnectors for NH fuse-links. Available from size 000 to size 3 for board fixing and a mode size 00 for mounting on 60 mm busbar system. They provide IP20 protection against contacts and are manufactured in self-extinguishable materials.

690V

[www.df-sa.es/NH/fusebases/BS/](http://www.df-sa.es/NH/fusebases/BS/)

	DESCRIPTION	REFERENCE	U (V)	PACKING
<b>NH000</b> 100A	FUSE SWITCH DISCONNECTOR DIRECT CONNECTION	<b>335005</b>	690	1
<b>NH00</b> 160A	FUSE SWITCH DISCONNECTOR M8 SCREW CONNECTION	<b>335025</b>	690	1
	FUSE SWITCH DISCONNECTOR Cu4-70mm <sup>2</sup> CLAMP CONNECTION	<b>335026</b>	690	1
<b>NH00</b> 160A	FUSE SWITCH DISCONNECTOR 60mm BUSBAR CONNECTION (Clamp or Screw for output connection)	<b>335040</b>	690	1
<b>NH1</b> 250A	FUSE SWITCH DISCONNECTOR M10 SCREW CONNECTION	<b>335095</b>	690	1
<b>NH2</b> 400A	FUSE SWITCH DISCONNECTOR M10 SCREW CONNECTION	<b>335155</b>	690	1
<b>NH3</b> 630A	FUSE SWITCH DISCONNECTOR M12 SCREW CONNECTION	<b>335195</b>	690	1



335026



335040



STANDARDS
IEC 60269-1 IEC 60269-2 EN 60269-1 EN 60269-2 DIN 43620

APPROVALS
<b>RoHS</b> compliant

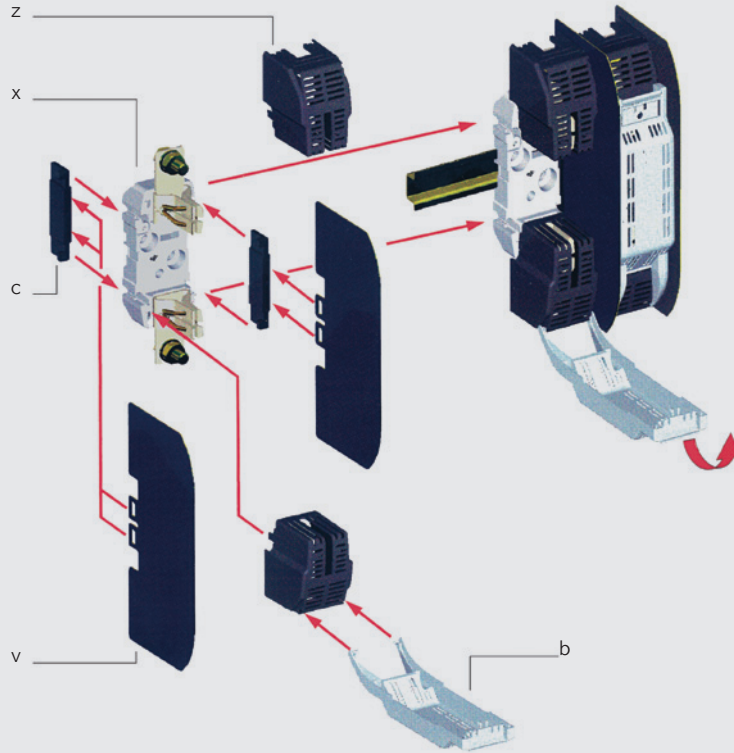
TECHNICAL DIMENSIONS
PAGE <b>44</b>

TECHNICAL TECHNICAL DATA
PAGE <b>44</b>

## NH FUSE BASES

	ST NH00	ST NH0	ST NH1	ST NH2	ST NH3	ST NH4	CR NH00	CR NH0	CR NH1	CR NH2	CR NH3
<b>BODY</b>	POLYAMIDE +25% F.V. UL94-V0	POLYAMIDE +25% F.V. UL94-V0	POLYAMIDE +25% F.V. UL94-V0	POLYAMIDE +25% F.V. UL94-V0	POLYAMIDE +25% F.V. UL94-V0	UP THERMOSSETTING	ESTEATITE CER-221	ESTEATITE CER-221	ESTEATITE CER-221	ESTEATITE CER-221	ESTEATITE CER-221
<b>CONTACTS</b>	SILVER PLATED COPPER	SILVER PLATED COPPER	SILVER PLATED COPPER	SILVER PLATED COPPER	SILVER PLATED COPPER	SILVER PLATED COPPER	SILVER PLATED COPPER	SILVER PLATED COPPER	SILVER PLATED COPPER	SILVER PLATED COPPER	SILVER PLATED COPPER
<b>SCREW, NUT AND WASHERS</b>	STEEL QUALITY 8.8	STEEL QUALITY 8.8	STEEL QUALITY 8.8	STEEL QUALITY 8.8	STEEL QUALITY 8.8	STEEL QUALITY 8.8	STEEL QUALITY 8.8	STEEL QUALITY 8.8	STEEL QUALITY 8.8	STEEL QUALITY 8.8	STEEL QUALITY 8.8
<b>DERATING TEMPERATURE</b>											
20 °C	1	1	1	1	1	1	1	1	1	1	1
30 °C	0.95	0.95	0.95	0.95	0.95	0.95	0.95	0.95	0.95	0.95	0.95
40 °C	0.9	0.9	0.9	0.9	0.9	0.9	0.9	0.9	0.9	0.9	0.9
50 °C	0.8	0.8	0.8	0.8	0.8	0.8	0.8	0.8	0.8	0.8	0.8
<b>MAX. POWER DISIPATION</b>	12 W	25 W	32 W	45 W	60 W	90 W	12 W	25 W	32 W	45 W	60 W
<b>DEGREE OF PROTECTION</b>	IP00/IP20	IP00/IP20	IP00/IP20	IP00/IP20	IP00/IP20	IP00	IP00	IP00	IP00	IP00	IP00
<b>CONNECTING</b>											
SCREW	M8	M8	M10	M12	M12	M16	M8	M8	M10	M12	M12
CLAMP	2 x M6						2 x M6				
<b>MAX. TIGHTENING TORQUE</b>											
SCREW	10 Nm	10 Nm	32 Nm	32 Nm	32 Nm	56 Nm	10 Nm	10 Nm	32 Nm	32 Nm	32 Nm
CLAMP	4 Nm										
<b>FIXING</b>											
RAIL DIN	o	o	o	o	o	—	—	—	—	—	—
SCREW	o	o	o	o	o	o	o	o	o	o	o
<b>WITH MICROSWITCH 16A – 250V</b>											
PRESENCE-FUSION	—	o	o	o	o	o	—	—	—	—	—
<b>FUNCTION TEMPERATURE</b>											
	-20 ... 70 °C	-20 ... 70 °C	-20 ... 70 °C	-20 ... 70 °C	-20 ... 70 °C	-20 ... 70 °C	-20 ... 70 °C	-20 ... 70 °C	-20 ... 70 °C	-20 ... 70 °C	-20 ... 70 °C
<b>STORAGE TEMPERATURE</b>											
	-40 ... 80 °C	-40 ... 80 °C	-40 ... 80 °C	-40 ... 80 °C	-40 ... 80 °C	-40 ... 80 °C	-40 ... 80 °C	-40 ... 80 °C	-40 ... 80 °C	-40 ... 80 °C	-40 ... 80 °C

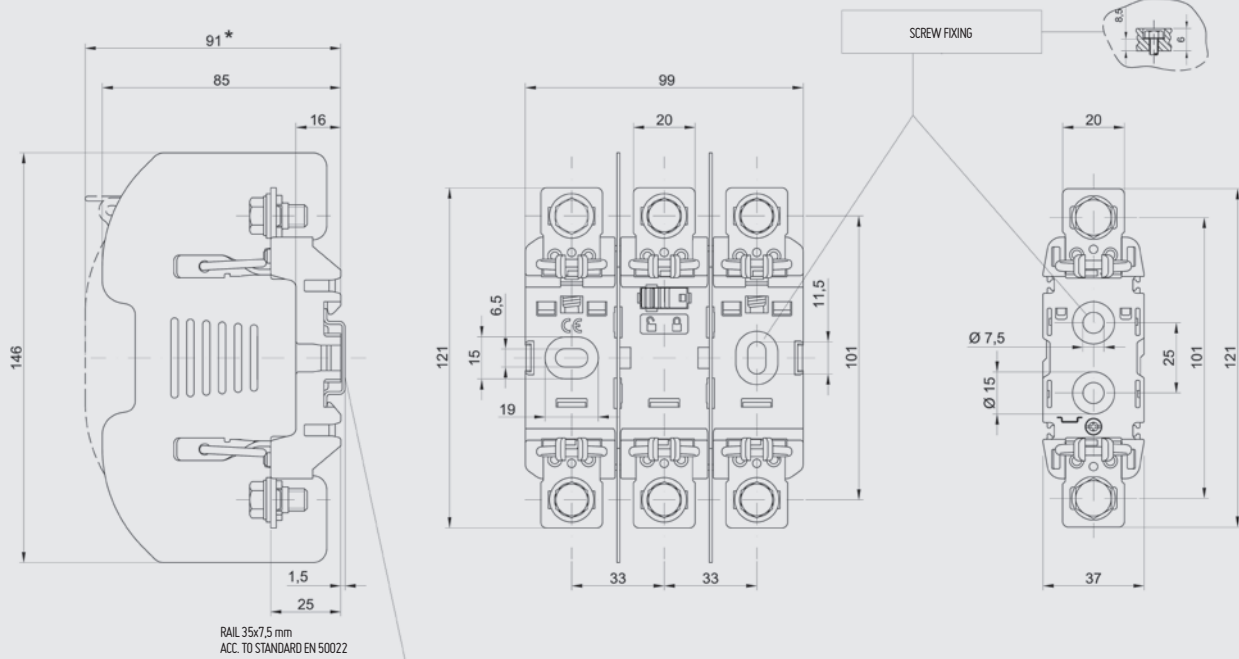
TECHNICAL  
**ST** NH FUSE BASES  
ACCESSORIES ASSEMBLY SYSTEM



- z TERMINAL COVERS
- x BODY
- c SEPARATOR
- v PARTITION WALL
- b FUSE LINKS COVER

TECHNICAL  
**ST** SINGLE POLE - THREE POLE NH FUSE BASES  
DIMENSIONS

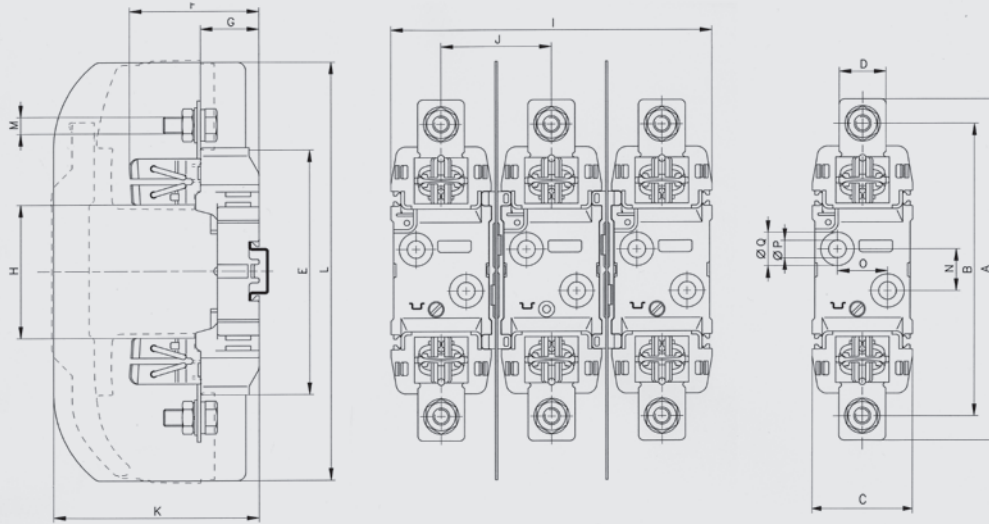
**NH00**



\* IP20 VERSION

TECHNICAL  
**ST** SINGLE POLE - THREE POLE NH FUSE BASES  
DIMENSIONS

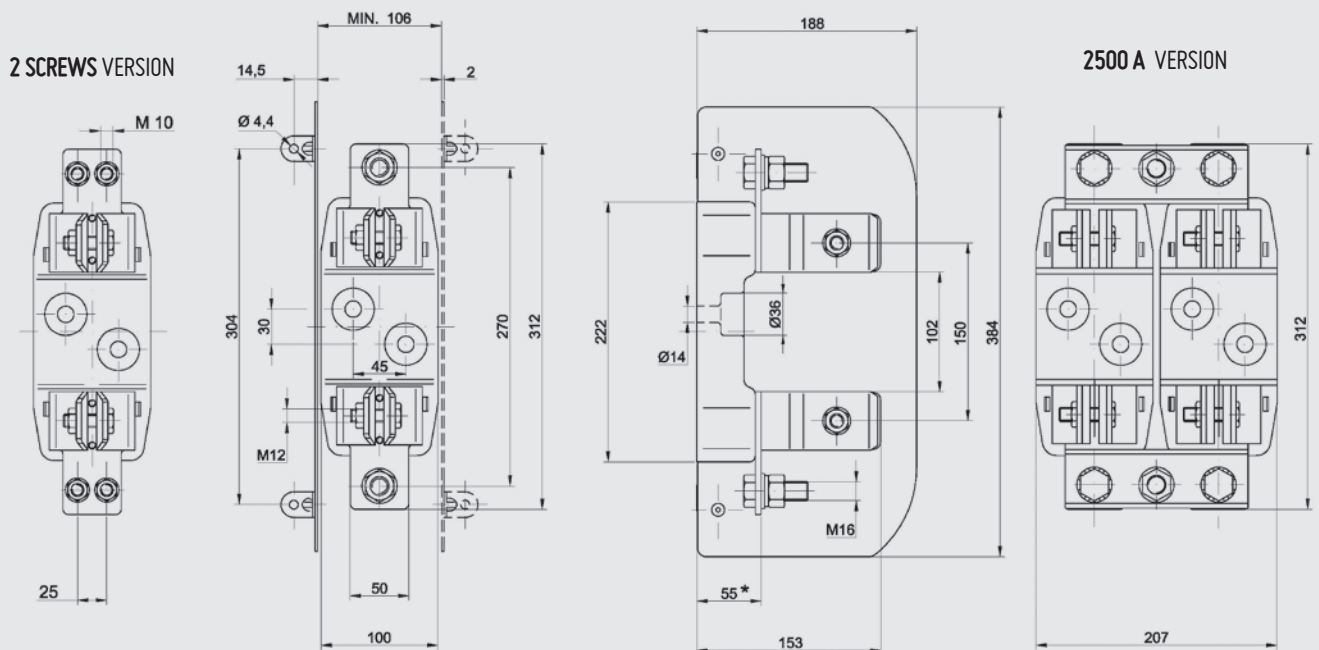
NH0  
NH1  
NH2  
NH3



SIZE	A	B	C	D	E	F	G	H	I	J	K	L	M	N	O	P	Q
NH0	170	150	47	24	122	63	29	74	144	48,5	91,5	185	M8	25	-	7,5	15
NH1	200	175	60	28	148	77,5	35	80	192	66	123	250	M10	25	30	10,5	20,5
NH2	225	200	60	32	148	88	35	80	192	66	123	250	M12	25	30	10,5	20,5
NH3	240	210	60	38	148	97	35	80	224	82	143	270	M12	25	30	10,5	20,5

TECHNICAL  
**ST** NH FUSE BASES  
DIMENSIONS

NH4



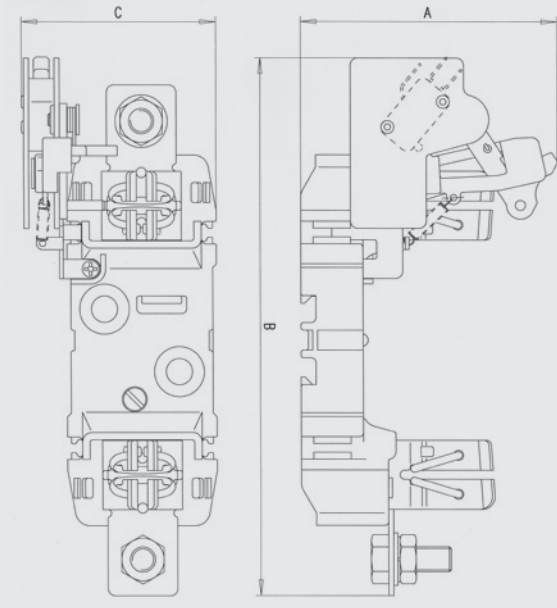
\* 2500 A VERSION: 63 mm

TECHNICAL

**ST**

## WITH MICROSWITCH NH FUSE BASES DIMENSIONS

NH0  
NH1  
NH2  
NH3  
NH4

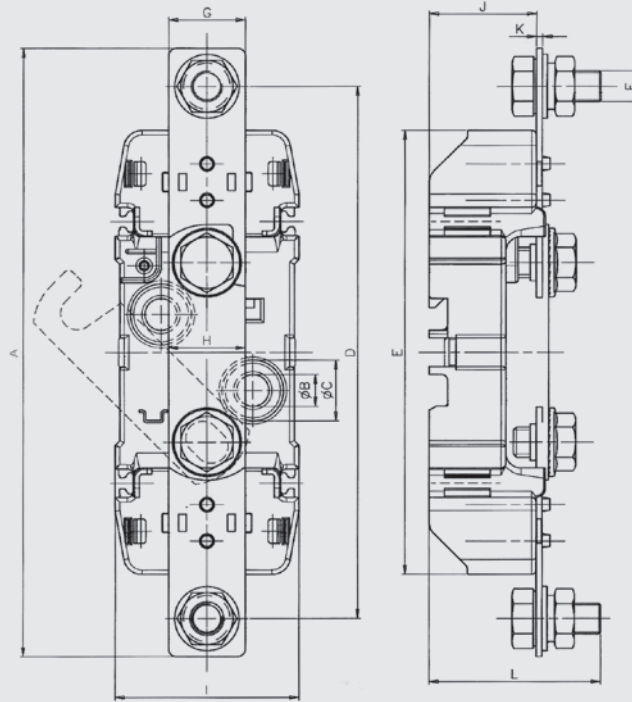


SIZE	A	B	C
NH0	90	193	65,5
NH1	98	215	76
NH2	102	227	76
NH3	102	235	76
NH4	140	284	113

TECHNICAL

## SECTIONABLE NEUTRAL FUSE BASES DIMENSIONS

NH00  
NH0  
NH1  
NH2  
NH3



SIZE	A	B	C	D	E	F	G	H	I	J	K	L
NH00	120,5	7,5	15	100	86	M8	20	0	37	23	2	43
NH0	170	7,5	15	150	122	M8	20	0	47	29	2	49
NH1-NH2-NH3	200	10,5	20	175	146	M10	25	30	60	35	2	60

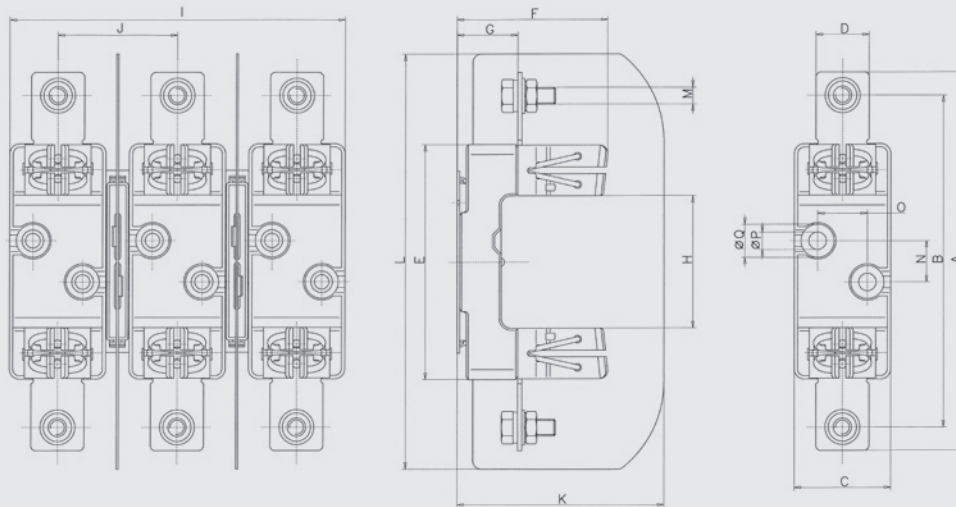


TECHNICAL

## CR SINGLE POLE - THREE POLE NH FUSE BASES DIMENSIONS

CLIP  
CONTACT

NH00  
NH0  
NH1  
NH2  
NH3



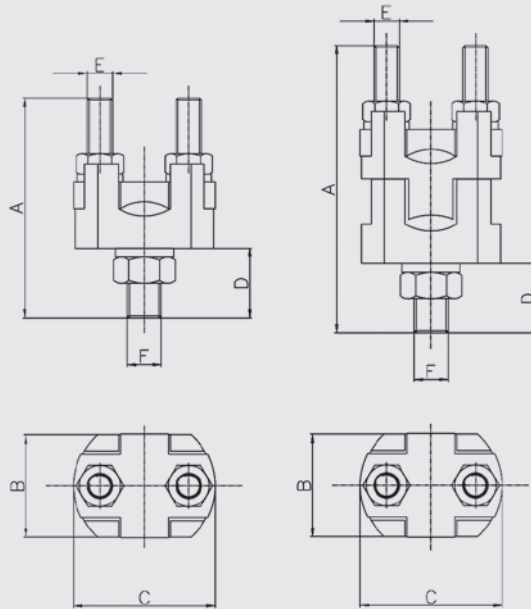
SIZE	A	B	C	D	E	F	G	H	I	J	K	L	M	N	O	P	Q
NH00	120,5	100	30	20	86	63,5	27	56,5	100	35	90	146	M8	25	-	7,5	15
NH0	170	150	30	24	130	71	37	74	127	48,5	98	185	M8	25	-	7,5	15
NH1	200	175	58	28	142	79,5	37	80	202	72	127	250	M10	25	30	10,5	20,5
NH2	225	200	58	32	142	91	37	80	202	72	127	250	M12	25	30	10,5	20,5
NH3	240	210	58	38	142	99	37	80	222	82	147	270	M12	25	30	10,5	20,5

TECHNICAL

ST  
CR

## NH FUSE BASES ACCESSORIES - TERMINALS DIMENSIONS

NH00  
NH0  
NH1  
NH2  
NH3  
NH4

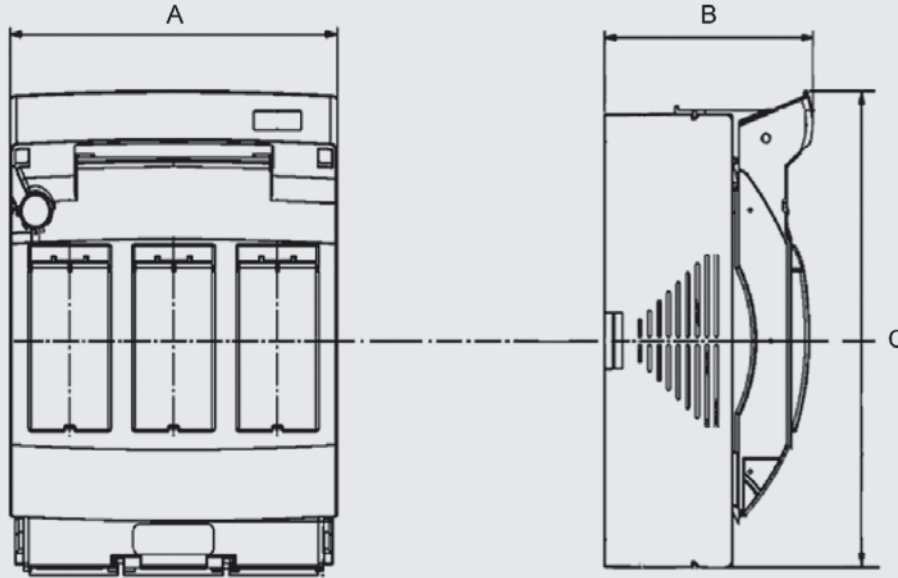


REFERENCE	A	B	C	D	E	F
343100	40	18	25	12	M5	M6
343160	51	24	33	16	M6	M8
343400	58	26	41	18	M8	M10
343630	68	36	52	21	M10	M12
344100	50	18	25	12	M5	M6
344160	72	24	33	16	M6	M8
344400	84	26	41	17	M8	M10
344630	110	36	52	21	M10	M12

TECHNICAL

## BS THREE POLE NH FUSE SWITCH DISCONNECTORS DIMENSIONS & TECHNICAL DATA

NH000  
NH00  
NH0  
NH1  
NH2  
NH3



\* 202 mm WITH TERMINAL COVERS

SIZE	A	B	C
NH000	89	74	146
NH00	108	81	184*
NH00 (BUSBAR CONNECTION)	108	99	184*
NH1	185	111	246
NH2	205	130	260
NH3	256	149	299

SIZE	NH000	NH00	NH1	NH2	NH3
Rated current ( $I_{th}$ )	100 A	160 A	250 A	400 A	630 A
Rated operational voltage ( $U_e$ )	690 V	690 V	690 V	690 V	690 V
Rated frequency	50-60 Hz	50-60 Hz	50-60 Hz	50-60 Hz	50-60 Hz
Maximum power dissipation of fuse link ( $P_n$ )	7,5 W	12 W	23 W	34 W	48 W
Rated insulation voltage ( $U_i$ )	690 V	1000 V	1000 V	1000 V	1000 V
Rated impulse withstand voltage ( $U_{imp}$ )	6 kV	8 kV	12 kV	12 kV	12 kV
Pollution degree	3	3	3	3	3
Protection degree	IP20	IP30	IP20	IP20	IP20
Utilization categories	AC22B 400V 100A AC21B 690V 100A DC21B 440V 100A	AC23B 400V 160A AC22B 500V 160A AC21B 690V 125A DC22B 440V 160A	AC23B 400V 250A AC22B 500V 250A AC21B 690V 200A DC22B 220V 250A	AC23B 400V 400A AC22B 500V 400A AC21B 690V 315A DC21B 440V 400A	AC23B 400V 630A AC22B 500V 630A AC21B 690V 500A
Connection	DIRECT 1-50 mm <sup>2</sup>	M8 SCREWS 4-70 mm <sup>2</sup> CLAMPS 60 mm BUSBAR + 3 M8 Screws or 3 4-70 mm <sup>2</sup> Clamps	M10 SCREWS	M10 SCREWS	M12 SCREWS
Short-circuit resistance with fuse-links	> 80 kA	> 80 kA 500V > 50 kA 690V	> 80 kA 500V > 50 kA 690V	> 80 kA	> 80 kA 500V > 50 kA 690V

# **Electric**

THE PROTECTION FORMULA

## ELECTRONIC



## CYLINDRICAL



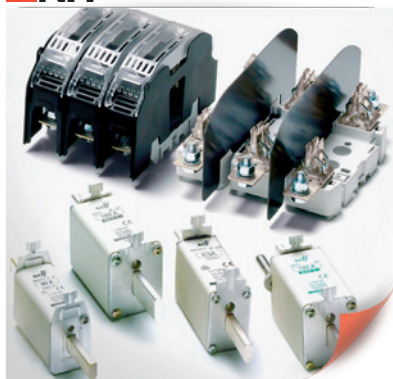
## PHOTOVOLTAIC



## RAPIDPLUS



## NH



## SPECIAL FUSE LINKS



## DOMESTIC



## D & DO



## TRANSFORMERS



eXperts in  
**PROTECTION**



**HEAD OFFICE & FACTORY**

SILICI, 67-69  
08940 CORNELLA DE LLOBREGAT  
BARCELONA  
SPAIN  
Tel. +34 93 377 85 85  
Fax +34 93 377 82 82

**EXPORT SALES**

Tel. +34 93 475 08 64  
Fax +34 93 480 07 75  
export@df-sa.es

**NATIONAL SALES**

Tel. 93 475 08 64  
Fax 93 480 07 76  
comercial@df-sa.es

[www.df-sa.es/nh](http://www.df-sa.es/nh)