



# Speed Scrub™ 2001HD

Automatic Floor Scrubber  
Fregadora Automática



*The safe scrubbing alternative®*

**Model No.:**

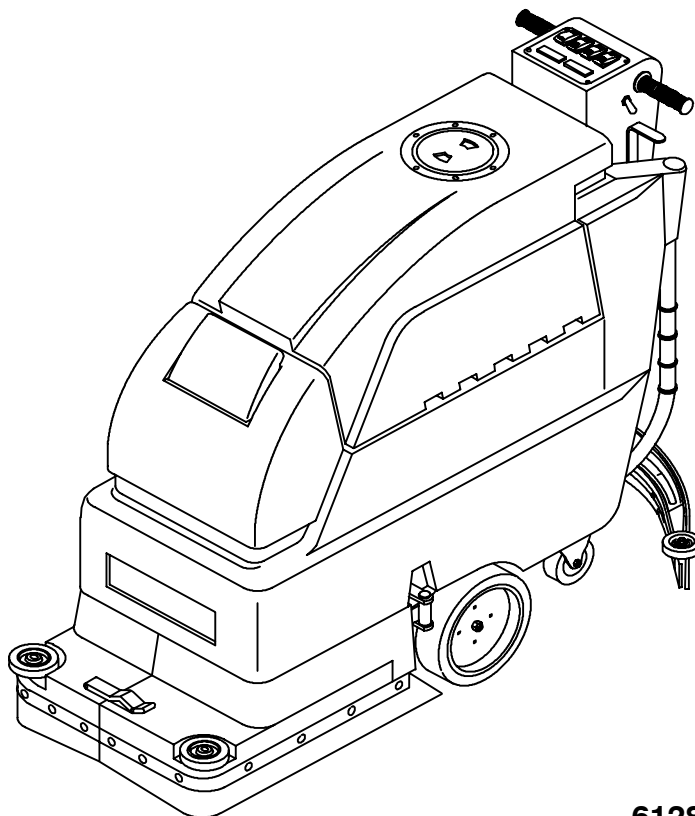
**612214**

**612086 - Complete**

**614364 - FaST**

**614363 - FaST Complete**

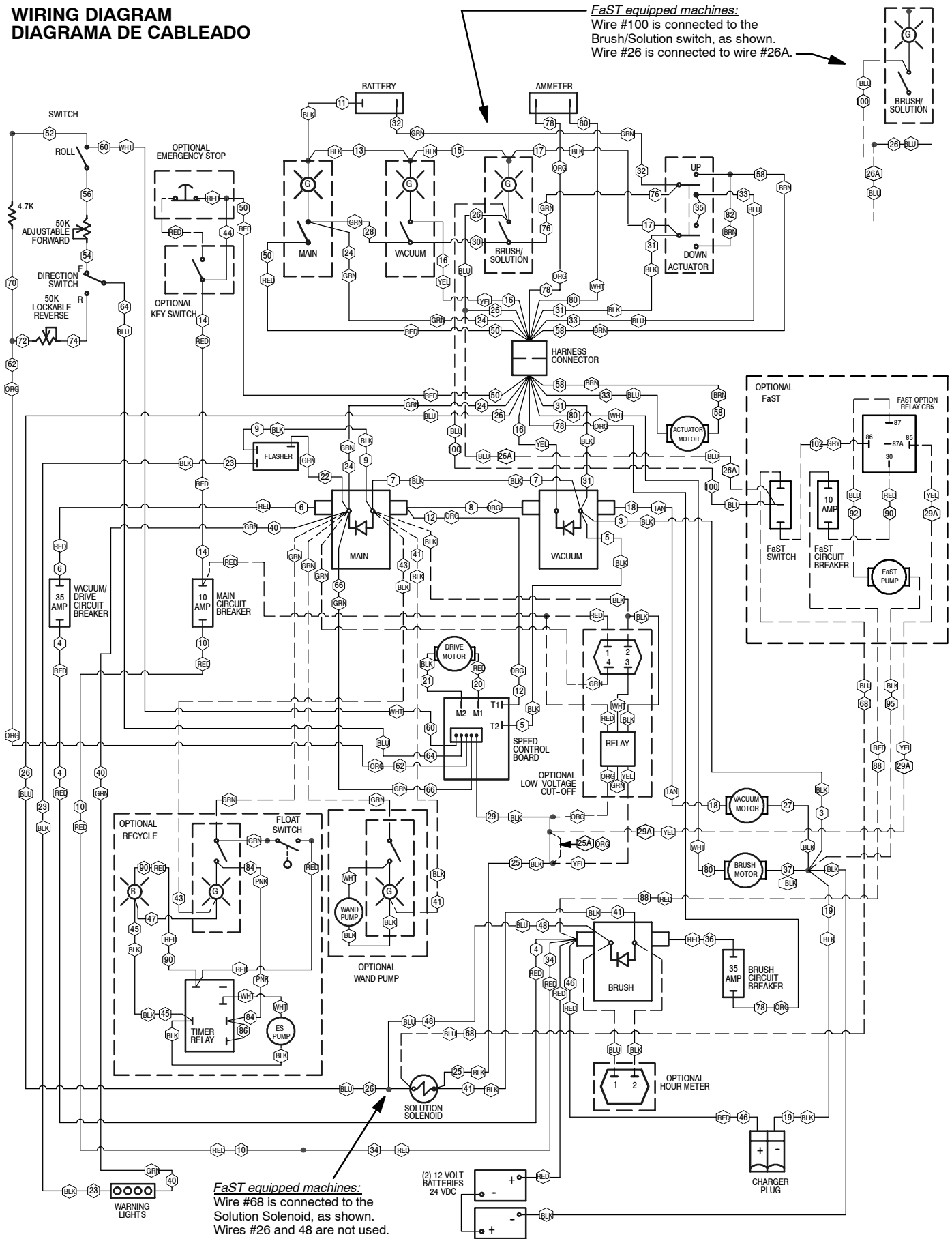
**Operator and Parts Manual  
Manual del Operador y Piezas**



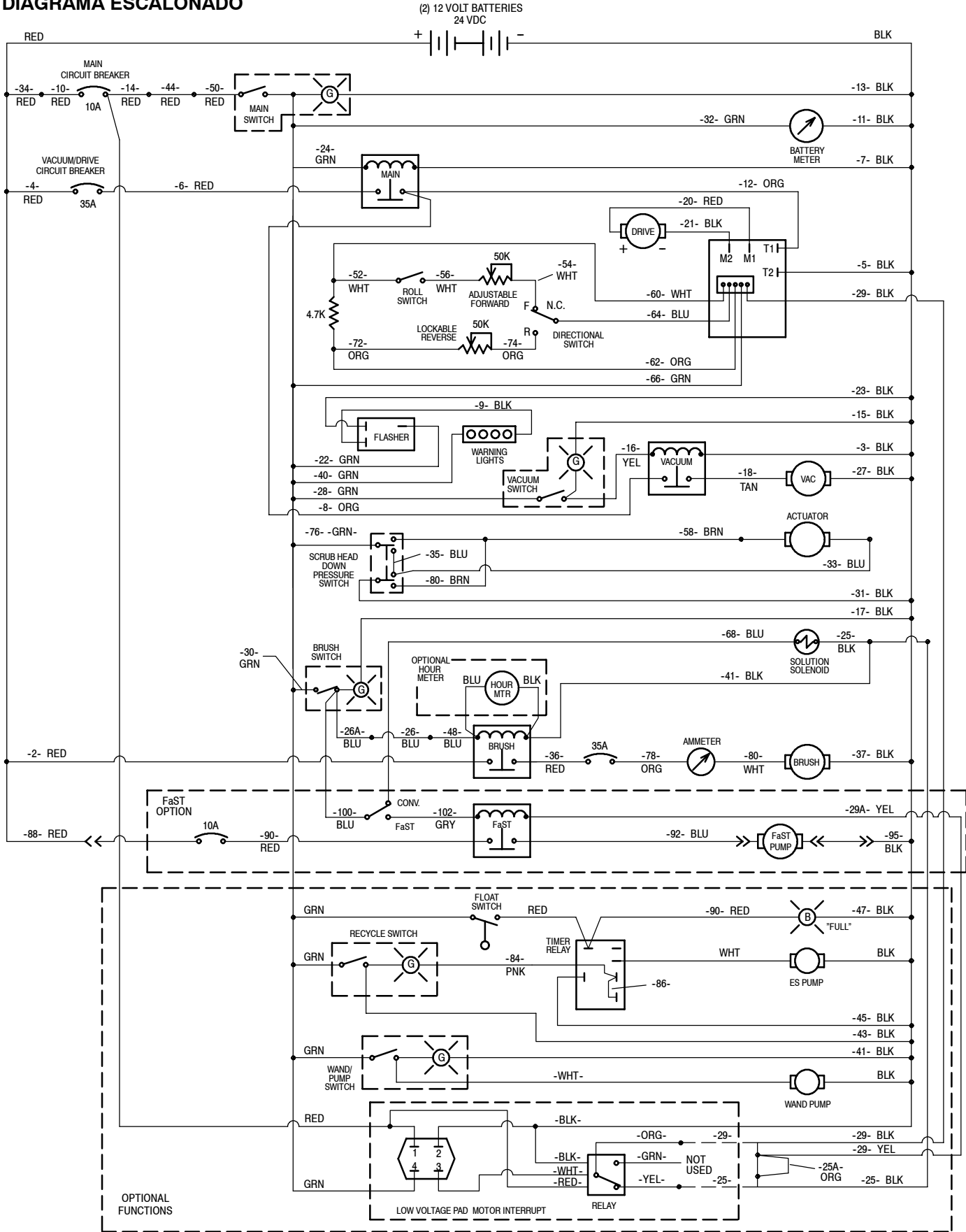
**612816  
Rev. 02 (09-04)**

# ELECTRICAL DIAGRAMS DIAGRAMAS ELECTRICAS

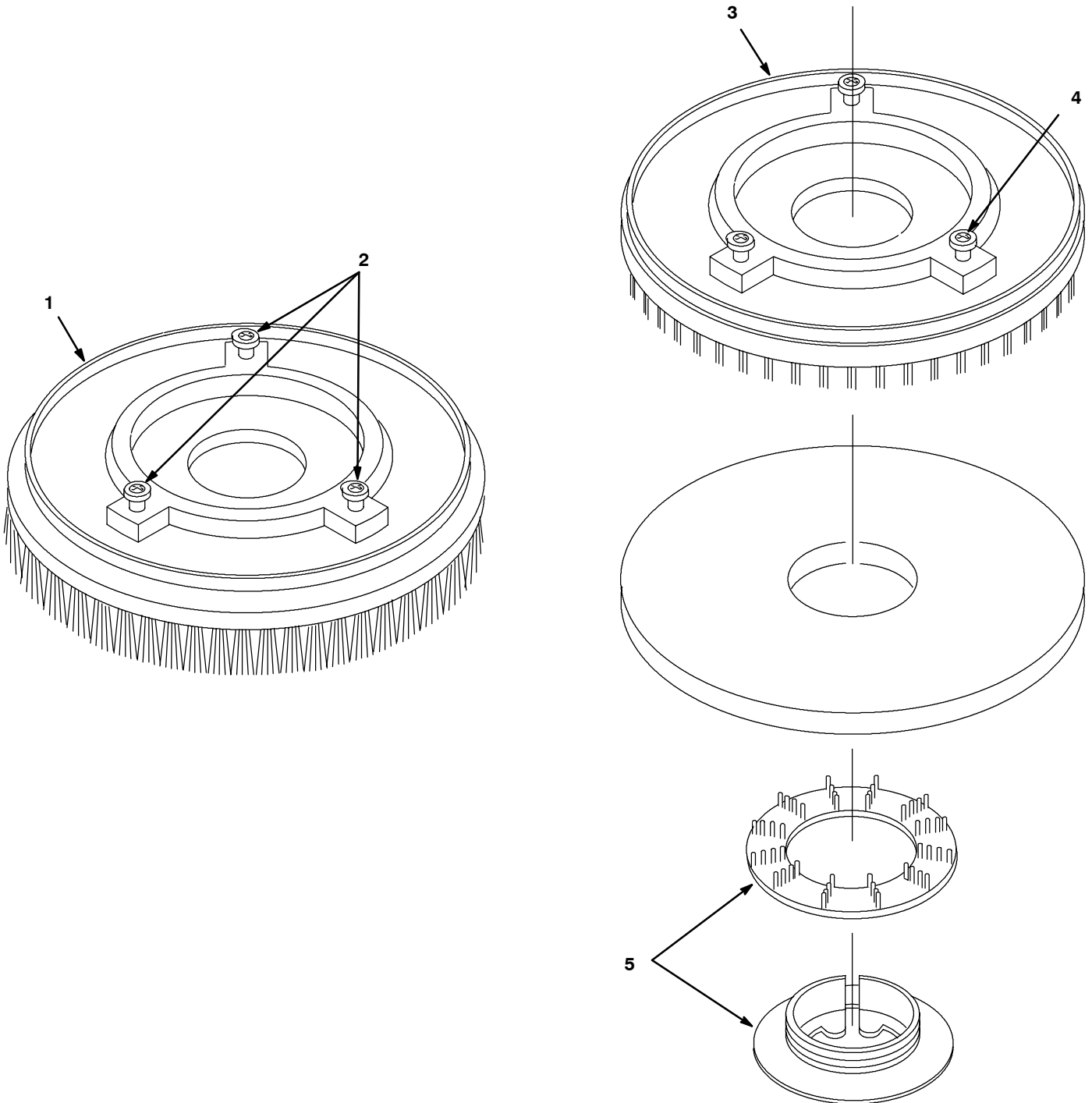
## WIRING DIAGRAM DIAGRAMA DE CABLEADO



LADDER DIAGRAM  
DIAGRAMA ESCALONADO



**REPLACEMENT BRUSHES AND PAD DRIVER GROUP**  
**CEPILLO DEL REEMPLAZO Y GRUPO DEL MANDO DE LA ALMOHADILLA**



**REPLACEMENT BRUSHES AND PAD DRIVER GROUP**  
**CEPILLO DEL REEMPLAZO Y GRUPO DEL MANDO DE LA ALMOHADILLA**

REF	PART #	DESCRIPTION	QTY.
▽ 1	240250	●BRUSH, SCRUB, POLY, 20"	1
	240251	●BRUSH, DYNASCRUB, 20"	1
	240252	●BRUSH, NYLOGRIT SCRUB/STRIP, 20"	1
	240253	●BRUSH, STRATAGRIT, 20"	1
▲ 2	240238	●LUGS, W/ SCREWS P74 (1PC=3LUGS W/SCREWS)	3

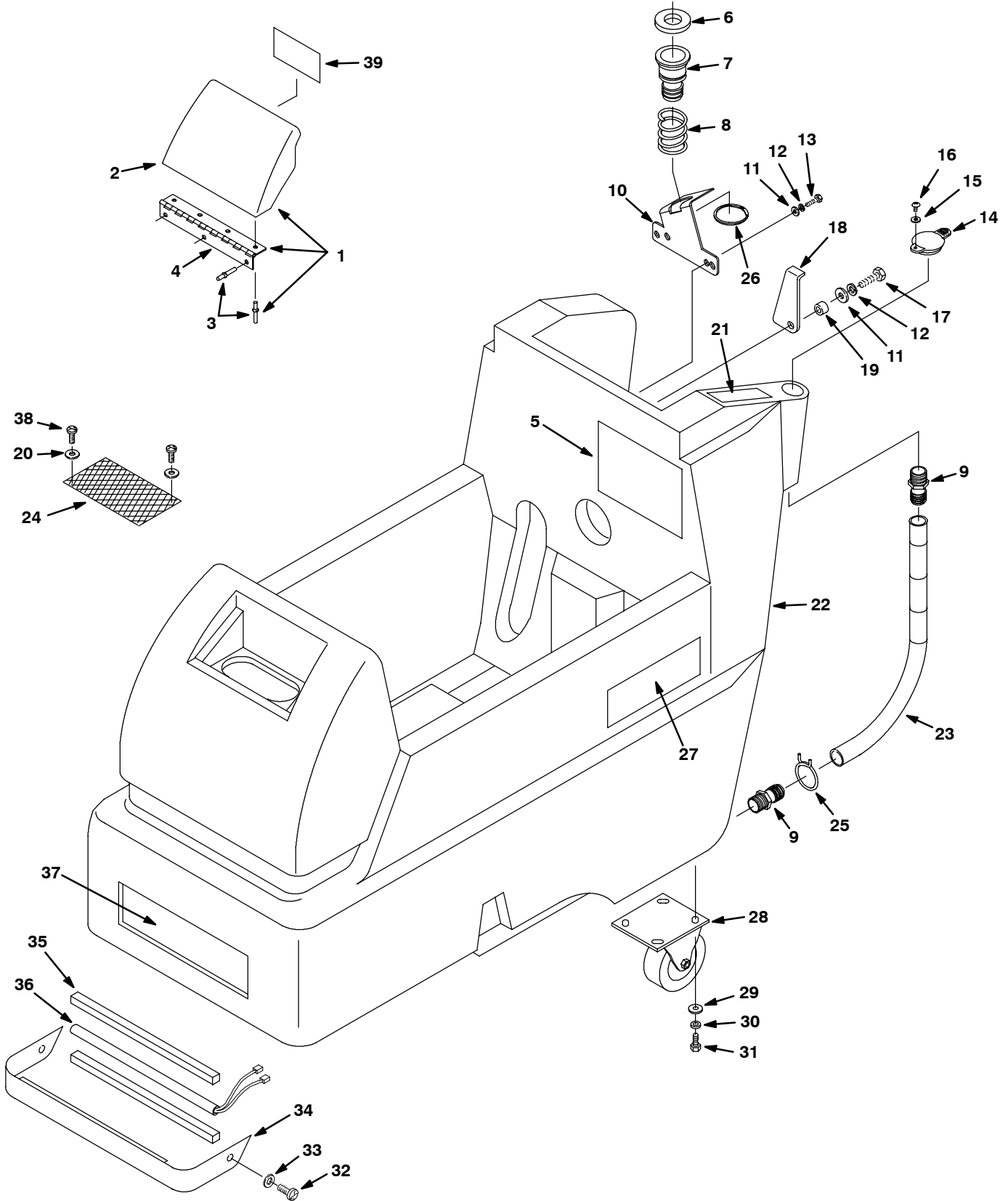
REF	PART #	DESCRIPTION	QTY.
▽ 3	240249	●DRIVER, PAD, 20"	1
▲ 4	240254	●PIN, LUGS, PLASTIC, 1=1PKG OF 3PCS	3
▲ 5	25707	●LOCK, UNIVERSAL CENTER	1

▽ ASSEMBLY / CONJUNTO

▲ INCLUDED IN ASSEMBLY / INCLUIDO EN EL CONJUNTO

● RECOMMENDED STOCK ITEMS / ARTICULOS RECOMENDADOS PARA  
MANTENER EN EXISTENCIA

SOLUTION TANK GROUP  
GRUPE DEL DEPÓSITO DE DISOLUCIÓN



**SOLUTION TANK GROUP**  
**GRUPE DEL DEPÓSITO DE DISOLUCIÓN**

REF	PART #	DESCRIPTION	QTY.
▽ 1	608518	ASM., SOL. TANK COVER GREEN	1
▲ 2	612518	SOLUTION COVER, GREEN	1
▲ 3	140706	RIVET, BLIND, .125D, PL	7
▲ 4	611068	HINGE, .09 PIN .04 1.06W 6.5L	1
5	603233	DECAL, BATTERY DIAGRAM	1
6	630010	●GASKET, 70 OD, 43 ID, 12.7 THK	1
7	630011	TUBE, VAC TRANS, FLANGE AND BARB	1
8	630267	SPRING, CMPR, 59.9D 3.0W 50.8L	1
9	150529	FITTING, 3/4M X 3/4H BARB BRS	2
10	608706	VAC TRANS BRACKET	1
11	140027	WASHER, FLAT, 0.35B 0.75D .04 SS	3
12	140015	WASHER, LOCK, SPLT, 0.31 SS	3
13	16931	SCREW, HEX, M8X1.25X20, 8.8	2
14	1012965	●CAP, PORT, SOLUTION FILL	1
15	01683	WASHER, FLAT, #10 SS	1
16	1018155	SCREW, PAN, M4.8X16 SS TCUT	1
17	16931	SCREW, HEX, M8X1.25X20, 8.8	1
18	230925	SUPPORT, RECOVERY TANK	1
19	611418	SLEEVE, P/M 0.437D, 0.315B, 0.14L	1
20	140032	WASHER, #6 FLAT SS	2

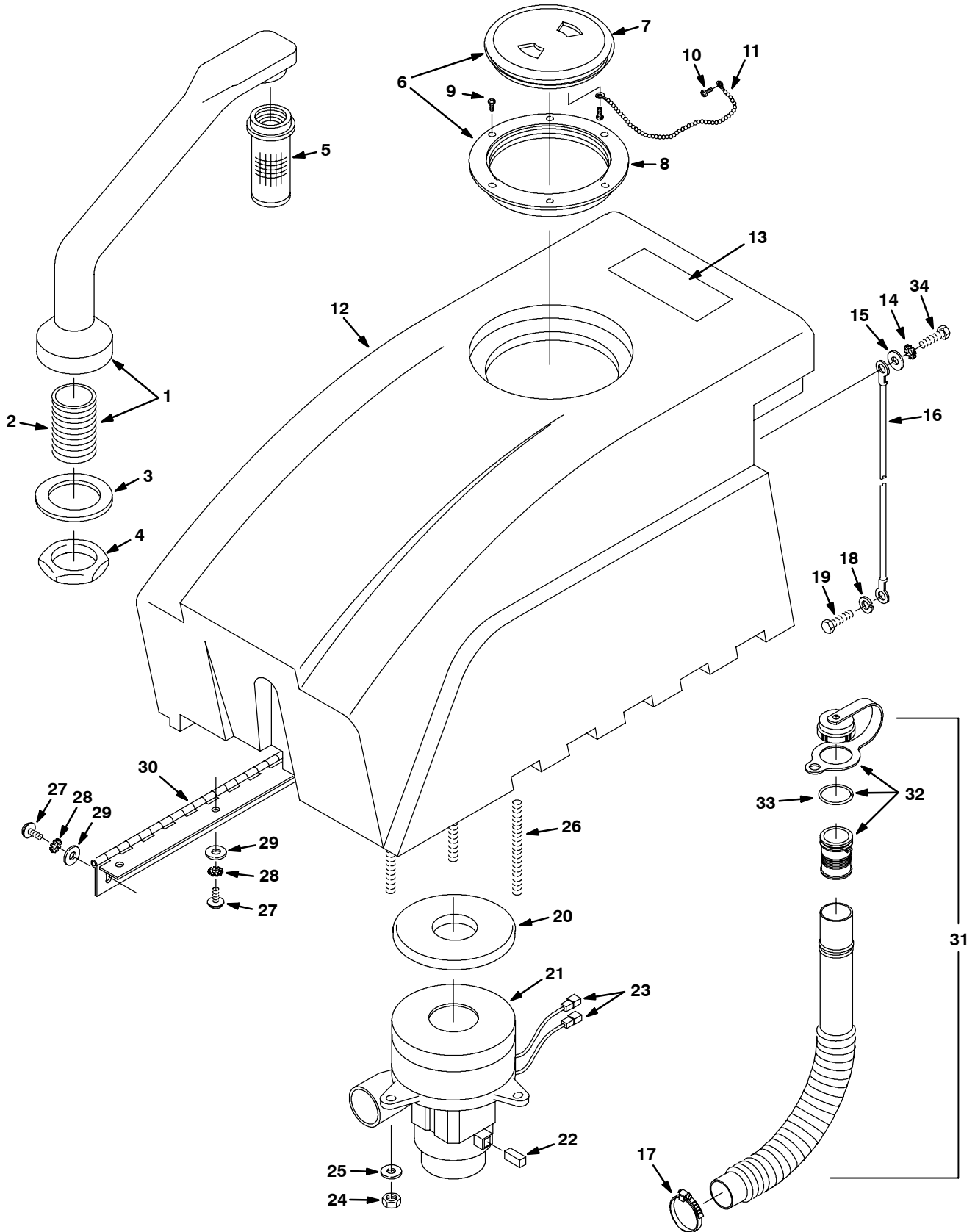
REF	PART #	DESCRIPTION	QTY.
21	600650	LABEL, CE, SQUEEGEE LEVER	1
22	608295	TANK, SOLUTION GREEN	1
23	607983	HOSE, DRAIN W/LEVEL IND.	1
24	602529	●FILTER, SCREEN, SOLUTION FILL	1
25	608915	CLAMP, HOSE 2-WIRE 1.03- 1.09	1
26	630016	RING, RETAINING, EXT, 1.82D	1
27	608451	DECAL, "SPEED SCRUB 2001HD"	2
	614367	DECAL, "SPEED SCRUB 2001HD FaST"	2
28	612056	●CASTER, SWIVEL 4.0DX1.38W	2
29	140027	WASHER, FLAT, 0.35B 0.75D .04 SS	8
30	140015	WASHER, LOCK, SPLT, 0.31 SS	8
31	578237000	SCREW, HEX, M8X1.25X18 SS, 933	8
32	578141000	SCREW, PAN, M5X0.8X10 PHL, SS	2
33	07514	WASHER, LOCK, INT #10 SS	2
34	612765	SHIELD, LIGHT	1
35	613455	GASKET, 1/2"X1.34'	2
36	130023	LIGHT, SAFETY, 24VDC, 14.0L	1
37	608184	DECAL, NOBLES LOGO	1
38	3701.6	SCREW, PAN, #6-32X0.38, PHL SS	2
39	613733	LABEL, ATTENTION (FaST MODEL)	1

▽ ASSEMBLY / CONJUNTO

▲ INCLUDED IN ASSEMBLY / INCLUIDO EN EL CONJUNTO

● RECOMMENDED STOCK ITEMS / ARTICULOS RECOMENDADOS PARA  
MANTENER EN EXISTENCIA

RECOVERY TANK GROUP  
CONJUNTO DEPOSITO RECUPERAR





**RECOVERY TANK GROUP**  
**CONJUNTO DEPOSITO RECUPERAR**

REF	PART #	DESCRIPTION	QTY.
▽ 1	701103	ASM., STANDPIPE	1
▲ 2	606088	FITTING, CPVC, STR, 1-1/2" NIPPLE	1
3	101714	●GASKET, WASTE AIR CHAMBER	1
4	210240	NUT, HEX, FLNG, 1-1/2 FPT METAL	1
5	180613	●FLOAT, SHUT-OFF (1) BALL 2DIA	1
▽ 6	100102	●COVER ASSY CLEAR LID W/STANDARD HOLE	1
▲ 7	100105	●LID, CENTER ONLY CLEAR	1
▲ 8	100109	●LID, OUTER RING	1
9	140826	SCREW, PAN, #6-32X0.75, PHL SS	6
10	3701.6	SCREW, PAN, #6-32X0.38, PHL SS	2
11	230513	CHAIN ASSY, STOPPER, DRAIN	1
▽ 12	613721	ASM, REC TANK W/LABEL, GREEN	1
▲ 13	613287	LABEL, WARNING DC WB	1
14	140052	WASHER, LOCK, EXT, 0.25 SS	1
15	140000	WASHER, FLAT, 0.28B .062D .04 SS	1
16	140960	●CABLE, .13D 14.5L .343EYE/.343EYE	1
17	140308	CLAMP, HOSE, WORMDRIVE, 1.31-2.25D, SS	1

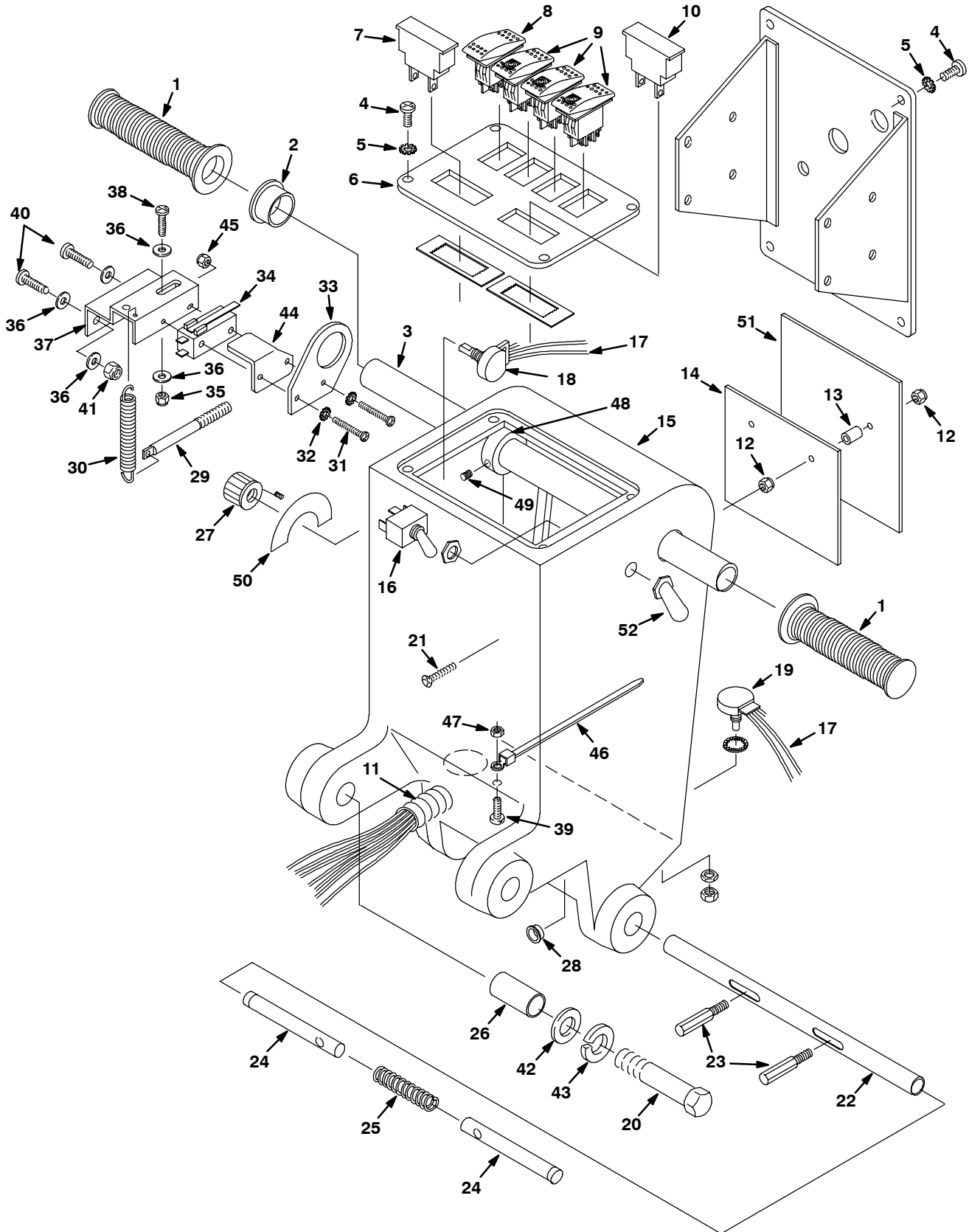
REF	PART #	DESCRIPTION	QTY.
18	140015	WASHER, LOCK, SPLT, 0.31 SS	1
19	16931	SCREW, HEX, M8X1.25X20, 8.8	1
20	626092	●GASKET, VAC FAN	1
▽ 21	130477	●FAN, VACUUM, 5.7D, 3S, 24V BPT	1
▲ 22	190163	●BRUSH CRBN, MOTOR, ELE, (1PC=1PACK=2BRSH)	1
23	130096	CONNECTOR ASSY, BLADE, MALE .25 1TRMNL	2
24	08712	NUT, HEX LOCK, M6X1.0 SS NL	3
25	140000	WASHER, FLAT, 0.28B .062D .04 SS	3
26	140353	SCREW, STUD, M6X1.0X108 ZN	3
27	363503	SCREW, PAN, M6X1.0X12 SS	11
28	140052	WASHER, LOCK, EXT, 0.25 SS	11
29	140000	WASHER, FLAT, 0.28B .062D .04 SS	11
30	600311	●HINGE, .25PIN .07 2.0W 26.0L	1
▽ 31	1010143	●HOSE, DRAIN ASSEMBLY, 31.2"	1
▲▽ 32	1008639	●CAP, DRAIN ASSEMBLY	1
▲ 33	1008637	●O RING, 1.48"ID, 1.76"OD	1
34	363503	SCREW, PAN, M6X1.0X12 SS	1

▽ ASSEMBLY / CONJUNTO

▲ INCLUDED IN ASSEMBLY / INCLUIDO EN EL CONJUNTO

● RECOMMENDED STOCK ITEMS / ARTICULOS RECOMENDADOS PARA  
MANTENER EN EXISTENCIA

CONSOLE GROUP  
CONJUNTO CONSOLA DE CONTROLES



**CONSOLE GROUP**  
**CONJUNTO CONSOLA DE CONTROLES**

REF	PART #	DESCRIPTION	QTY.
1	200823	●GRIP, HANDLE TUBE	2
2	605351	BUSHING, 7/8 10-BLACK	1
3	604402	TUBE, HANDLE	1
4	578141000	SCREW, PAN, M5X0.8X10 PHL, SS	8
5	07514	WASHER, LOCK, INT #10 SS	8
∇	613095	ASSY, PANEL, SWITCH	1
▲	602560	SWITCH PANEL	1
▲	606857	●GAUGE, AMMETER, RT, 5-36A (PRESSURE)	1
▲	603399	●SWITCH, PUSH, DPDT ON/OFF/MOM. ON	1
▲	601107	●SWITCH, ROCKER, 24VDC 15A LIGHTED	3
▲	606020	●GAUGE, DISCHARGE, BATTERY, 24VDC	1
▲	611825	●HARNESS, WIRE	1
12	02850	NUT, HEX LOCK, M4X0.7 NL	4
13	630261	TUBE, 0.31D 0.19B 0.5L ALUM	2
14	630128	HEATSINK, 11GA. ALUM. 104X120	1
15	608299	CONTRL HSG, GREEN	1
16	601108	●SWITCH, TOGGLE MON/ON/ON	1
∇	602873	HARNESS CONSOLE W/POT.	1
▲	130776	●POTENTIOMETER, 50K	1
▲	130775	●POTENTIOMETER, 50K LOCKABLE	1
20	140351	SCREW, HEX, M12X1.75X70 ZN	2
21	630304	SCREW, FLT, M4X0.7X35 PHL, ZN	2
22	230715	TUBE, HANDLE ADJUSTMENT	1
23	230649	PIN, HANDLE, ADJUSTMENT	2
24	230710	PIN, HANDLE, LOCK	2
25	140415	SPRING, LOCK PIN	1

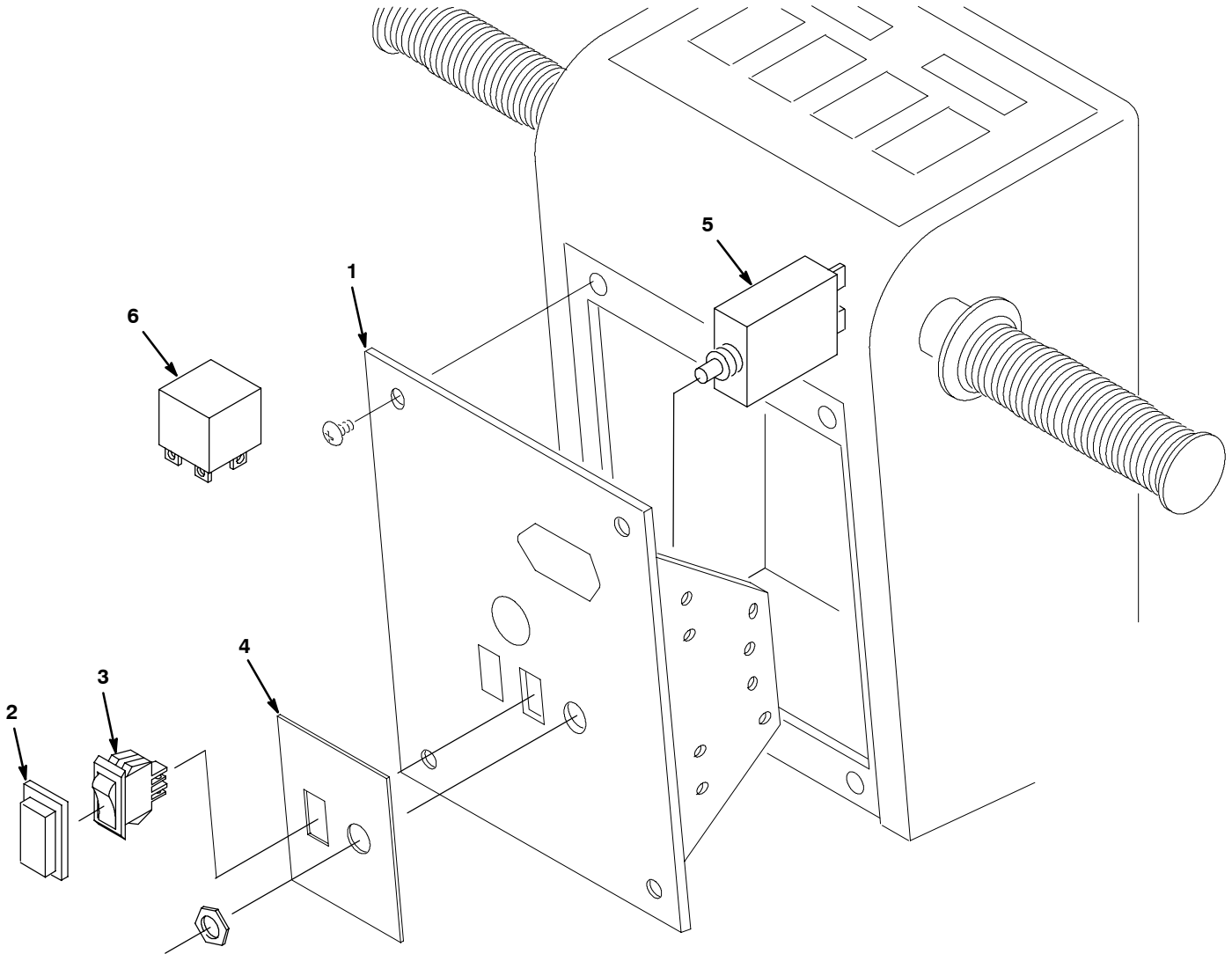
REF	PART #	DESCRIPTION	QTY.
26	140155	BUSHING, .48X.62X2.00	2
27	606550	●KNOB, RND, 0.92D 0.76L 0.25B	1
28	603007	BUSHING, SNAP .25ID BLACK	1
29	602886	PIN, SPRING, HANGER, .31-18X.94 THD, ZN	1
30	605812	SPRING, EXT.	1
31	140829	SCREW, PAN, #06-32X1.00 PHL SS	2
32	140019	WASHER, LOCK, EXT, #06 ZN	2
33	27098	BRACKET, SWITCH	1
34	614003	●SWITCH, SNAP ACTION W/ BUMP	1
35	140552	NUT, HEX LOCK, #10-24 NL SS	1
36	140000	WASHER, FLAT, 0.28B .062D .04 SS	6
37	25671	MOUNT, SWITCH	1
38	140890	SCREW, TRS, #10-24X0.50 PHL SS	1
39	140900	SCREW, TRS, #10-24X0.75 PHL SS	1
40	608322	SCREW, TRS, M6X1.0X16 PHL SS	2
41	08712	NUT, HEX LOCK, M6X1.0 SS NL	2
42	140045	WASHER, FLAT, 0.51B 1.25D .06 SS	2
43	140024	WASHER, LOCK 0.50 SS	2
44	603830	PLATE, SWITCH GUARD	1
45	140540	NUT, #6-32 HEX SS	2
46	630343	CLAMP, CABLE, STL, 0.88D X 0.50W 1H VYL	1
47	140552	NUT, HEX LOCK, #10-24 NL SS	1
48	605094	COLLAR, HANDLE	2
49	140859	SCREW, SET, .25-20X0.25 CUP PT	2
50	606549	LABEL, SPEED CONTROL	1
51	630104	●CONTROLLER, MOTOR, 24VDC 55A PMC	1
52	130753	●BOOT, SWITCH 1.00 LONG BLK	1

∇ ASSEMBLY / CONJUNTO

▲ INCLUDED IN ASSEMBLY / INCLUIDO EN EL CONJUNTO

● RECOMMENDED STOCK ITEMS / ARTICULOS RECOMENDADOS PARA MANTENER EN EXISTENCIA

**CONSOLE PANEL GROUP (FaST MODEL)**  
**GRUPO DEL PANEL DE LA CONSOLA (MODELO FaST)**



**CONSOLE PANEL GROUP (FaST MODEL)**  
**GRUPO DEL PANEL DE LA CONSOLA (MODELO FaST)**

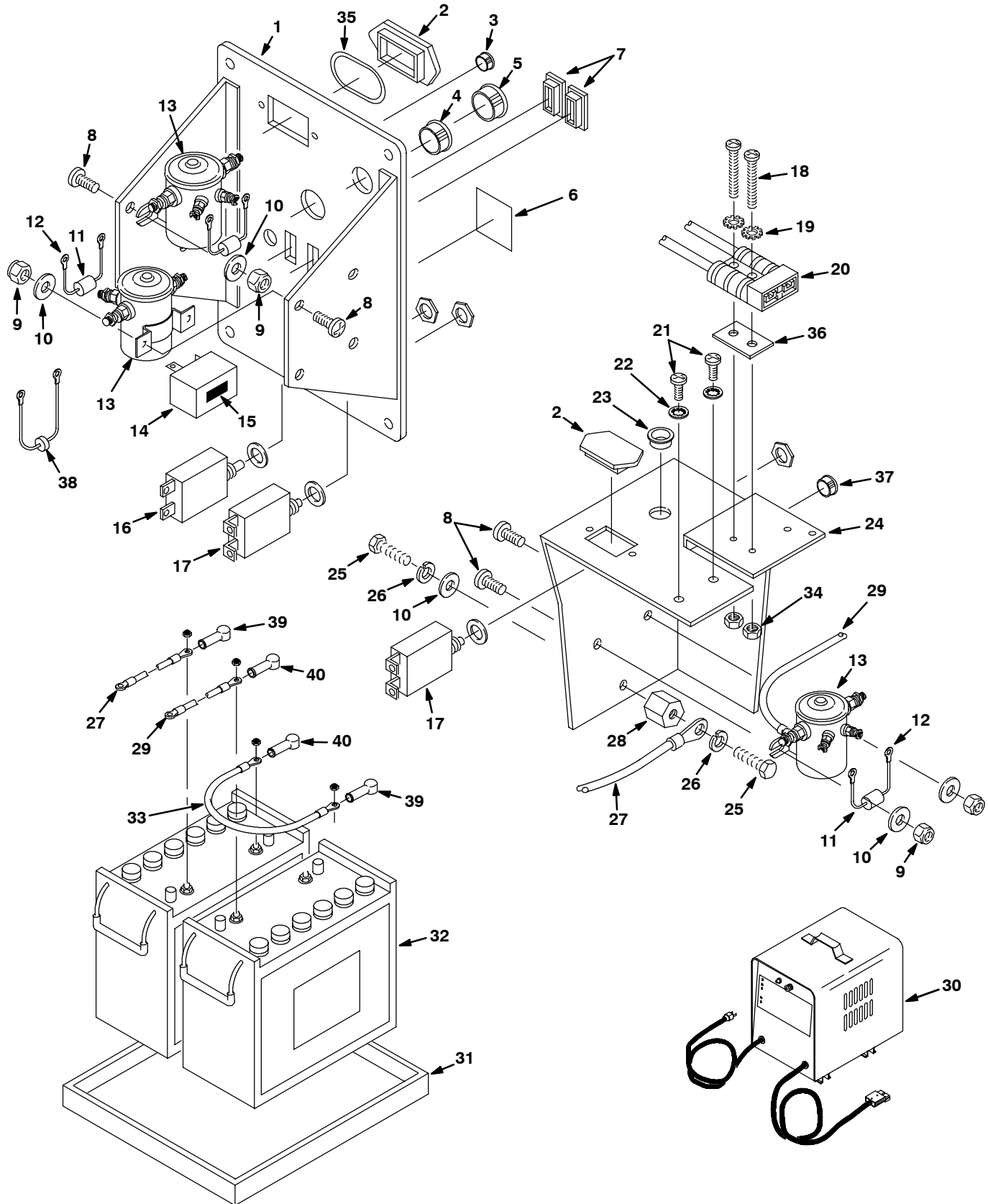
REF	PART #	DESCRIPTION	QTY.
1	605044	PANEL, SWITCH	1
2	578720	●SPLASHGUARD, RCKR SWITCH	1
3	130787	●SWITCH, ROCKER V C A SPDT	1
4	613399	LABEL, FAST SWITCH	1

REF	PART #	DESCRIPTION	QTY.
5	130737	●CIRCUITBREAKER, 10.0A	1
6	49309	RELAY, 24VDC 40A SPDT N/O	1
N/S	1019019	HARNESS, WIRE, GEN2 FaST	1

● RECOMMENDED STOCK ITEMS / ARTICULOS RECOMENDADOS

N/S = NOT SHOWN / NO ESTÁ ILUSTRADO

ELECTRICAL / BATTERY GROUP  
GRUPO DEL ELÉCTRICO/BATERÍA



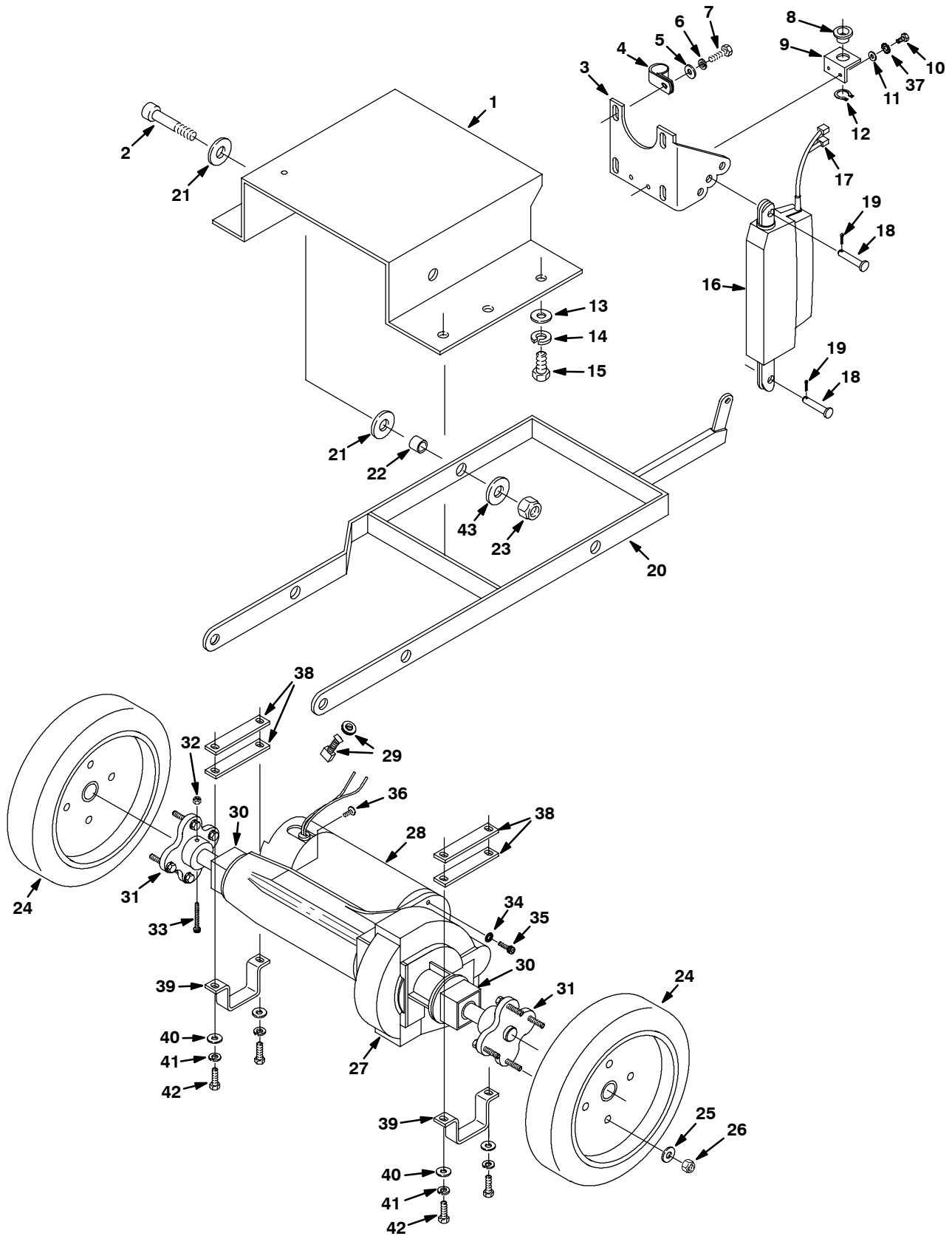
**ELECTRICAL / BATTERY GROUP**  
**GRUPO DEL ELÉCTRICO/BATERÍA**

REF	PART #	DESCRIPTION	QTY.
1	613030	PANEL, CONTROL HOUSING	1
2	609969	●PLUG, HOURMETER	2
3	069764626	●PLUG, HOLE 012.7	1
4	130161	●PLUG, DOME, .875D, BLACK	1
5	130175	●PLUG, DOME, .750D, BLACK	1
6	606105	LABEL, HZRD, DO NOT SPRAY	1
7	582150	●BUTTON, PLUG, ACCESSORY SWITCH	2
8	608322	SCREW, TRS, M6X1.0X16 PHL SS	6
9	08712	NUT, HEX LOCK, M6X1.0 SS NL	6
10	140000	WASHER, FLAT, 0.28B .062D .04 SS	7
11	606404	●DIODE ASSY W/RING TERMINALS	3
12	281001009	TERMINAL, RING, #10 14-16	6
13	605905	●SOLENOID, 24VDC 125A 050 OHM	3
14	130021	●FLASHER, 24VDC	1
15	606243	TAPE, DOUBLE STICK 1" ACRYLIC	1
16	130737	●CIRCUITBREAKER, 10.0A	1
17	602951	●CIRCUITBREAKER, 35.0A	2
18	140829	SCREW, PAN, #06-32X1.00 PHL SS	2
19	140019	WASHER, LOCK, EXT, #06 ZN	2
20	605387	●CONNECTOR, 50A RED W/O CONT	1
21	578141000	SCREW, PAN, M5X0.8X10 PHL, SS	2

REF	PART #	DESCRIPTION	QTY.
22	07514	WASHER, LOCK, INT #10 SS	2
23	130698	BUSHING, SNAP .50ID BLACK	1
24	602887	BRACKET, CHR9 PLUG/CB/SOL	1
25	01696	SCREW, HEX, .25-20X0.50 SS	2
26	140016	WASHER, LOCK, 0.25 SS	2
27	602871	CABLE, BATTERY 6BLKX24" 1/4X5/16	1
28	578427	●STAND-OFF, TERMINAL	1
29	602872	CABLE, BATT #6REDX28" 5/16X3/8	1
30	603235	CHARGER, 24DC/20A/120AC RED-PLUG	1
31	601991	TRAY, BATTERY	1
32	600394	BATTERY, 12VDC CCA 215AH DUAL POST	2
33	130364	●CABLE, BATTERY 6X15 BLK 5/16X3/8	1
34	140539	NUT, HEX LOCK #06-32 KEP SS	2
35	605823	●SEAL, ORG .926 ID X .996 OD	1
36	603331	SPACER, CHARGER PLUG	1
37	130280	●PLUG, DOME .437D BLACK	1
38	604486	DIODE ASSY, SPLICED	1
39	611221	BOOT, CABLE, BATTERY, BLACK	2
40	611222	BOOT, CABLE, BATTERY, RED	2

● RECOMMENDED STOCK ITEMS / ARTICULOS RECOMENDADOS PARA MANTENER EN EXISTENCIA

DRIVE GROUP  
GRUPO DE TRANSMISIÓN





**DRIVE GROUP**  
**GRUPO DE TRANSMISIÓN**

REF	PART #	DESCRIPTION	QTY.
1	600288	PLATE, BASE TRANSAXLE	1
2	36758	BOLT, SHLD, .50DX0.50, .38-16	2
3	1002936	BRACKET, ACTUATOR	1
4	140314	CLAMP, CABLE, STL, 0.75D X 0.75W 1H VYL	1
5	140027	WASHER, FLAT, 0.35B 0.75D .04 SS	4
6	140015	WASHER, LOCK, SPLT, 0.31 SS	4
7	16931	SCREW, HEX, M8X1.25X20, 8.8	4
8	1009363	BUSHING, CABLE	1
9	630157	BRACKET, CABLE GUIDE, 11GA ZP	1
10	200031432	SCREW, HEX, M6X1.0X10	2
11	140000	WASHER, FLAT, 0.28B .062D .04 SS	2
12	621236000	RING, RETAINING, .810 DIA	1
13	140028	WASHER, FLAT, 0.42B 1.00D .05 SS	2
14	140333	WASHER, M10 SPLTLCK SS	2
15	09291	SCREW, HEX, M10X1.5X20 SS	2
16	600952	●ACTUATOR 24VDC	1
17	281004001	TERMINAL, FEM .25 22-18GA FI RED	2
18	604076	PIN, M10DIAX28 CLEVIS ZN	2
19	578421	PIN, COTTER, .125D X 1.00L	2
20	606702	BRACKET, HD LIFT	1
21	140045	WASHER, FLAT, 0.51B 1.25D .06 SS	4
22	602882	SLEEVE, P/M, 0.625D 0.502B 0.31L STL PLT	2
23	59156	NUT, HEX LOCK .38-16 NL SS	2
24	613026	●WHEEL, 8.0D 2.00W	2
	630215	●WHEEL, 9.0D PNEUMATIC FLANGE	2
	600352	●TIRE, FOAM FILLED	2
	604357	●KIT, TIRE, AIR	1
	604259	●KIT, TIRE, FOAM	1

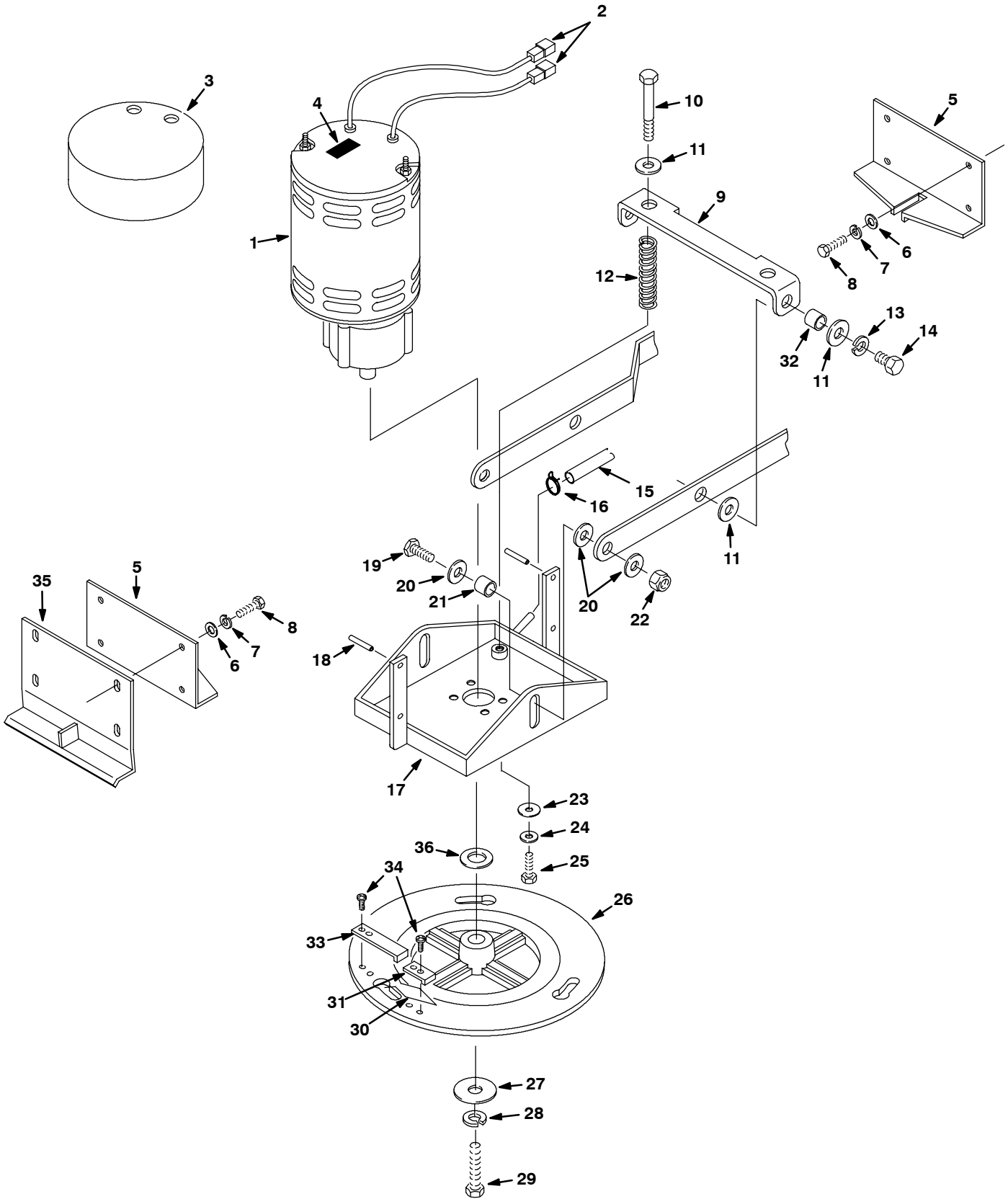
REF	PART #	DESCRIPTION	QTY.
25	140000	WASHER, FLAT, 0.28B .062D .04 SS	8
26	41169	NUT, HEX LOCK, .25-20 NL SS	8
▽ 27	1013312	TRANSAXLE, 24V MOTOR 116 RPM	1
▲	612873	TRANSAXLE, REPLMT, BODY ONLY	1
▲	612874	COUPLING, TRANSAXLE REPLMT	1
▲	612875	KEY, SPECIAL, TRANSAXLE REPLMT	1
▲ 28	614165	MOTOR, ELE, 24VDC TRANSAXLE REPLMT	1
▲ 29	614166	●KIT, BRUSH, CARBON QTY(4)	1
▲ 30	612880	SLEEVE, TRANSAXLE REPLMT	2
▲ 31	612879	HUB, WHEEL TRANSAXLE REPLMT	2
▲ 32	140552	NUT, HEX LOCK, #10-24 NL SS	2
▲ 33	31249	BOLT, SHLD, .25DX1.25, #10-24	2
▲ 34	32982	WASHER, LOCK, INT, 0.25	2
▲ 35	33951	SCREW, SOC, M6 X 1.0 X 20, 12.9	2
▲ 36	577031000	SCREW, #8X1/2 PAN PHL ZN	2
37	140052	WASHER, LOCK, EXT, 0.25 SS	2
38	612783	SPACER, AXLE	4
39	612784	BRACKET, TRANSAXLE MTG	2
40	140028	WASHER, FLAT, 0.42B 1.00D .05 SS	4
41	140333	WASHER, M10 SPLTLCK SS	4
42	612255000	SCREW, HEX, M10X1.5X35 ZN	4
43	140046	WASHER, 1.00X.392X.090 SS	2

▽ ASSEMBLY / CONJUNTO

▲ INCLUDED IN ASSEMBLY / INCLUIDO EN EL CONJUNTO

● RECOMMENDED STOCK ITEMS / ARTICULOS RECOMENDADOS PARA MANTENER EN EXISTENCIA

BRUSH DRIVE GROUP  
CONJUNTO IMPULSO DE CEPILLO



**BRUSH DRIVE GROUP**  
**CONJUNTO IMPULSO DE CEPILLO**

REF	PART #	DESCRIPTION	QTY.
▽ 1	130491	●MOTOR, ELE, 24VDC 0.75HP W/GEARBOX IMP	1
▲	190741	●CARD ASSY., BRUSH, MOTOR, ELE	1
▲	190970	●BRUSH, CARBON, MOTOR, ELE	1
▲	140632	●KEY, .25X.25X1.00L (+.000/-.002)	1
▲	630609	●GEARBOX ASSY	1
▲ 2	281001014	TERMINAL RING 1/4 10-12	1
	130192	TERMINAL MAL .25 12-10 FI YW	1
3	100764	COVER, BRUSH MOTOR	1
4	606243	TAPE, ACRYLIC FOAM 1" WIDE X 12" LONG	0.25 FT.
5	600300	PLATE, GUIDE	2
6	140003	WASHER, 1/4X1 FNDR SS	8
7	140016	WASHER, LOCK, 0.25 SS	8
8	15678	SCREW, HEX, M6X1.0X16 SS	8
9	606781	BRACKET, SPRING	1
10	607143	SCREW, HEX, .38-16X3.50 SS	2
11	140028	WASHER, FLAT, 0.42B 1.00D .05 SS	6
12	606782	SPRING, BRUSH PRESSURE	2
13	140017	WASHER, LOCK, SPLT, 0.38 SS	2
14	02994	SCREW, HEX, .38-16X0.75 SS	2
15	613446	TUBING, 3/8 ID X 5/8 OD CLEAR 611254 FT. 0.833	0.833 FT.

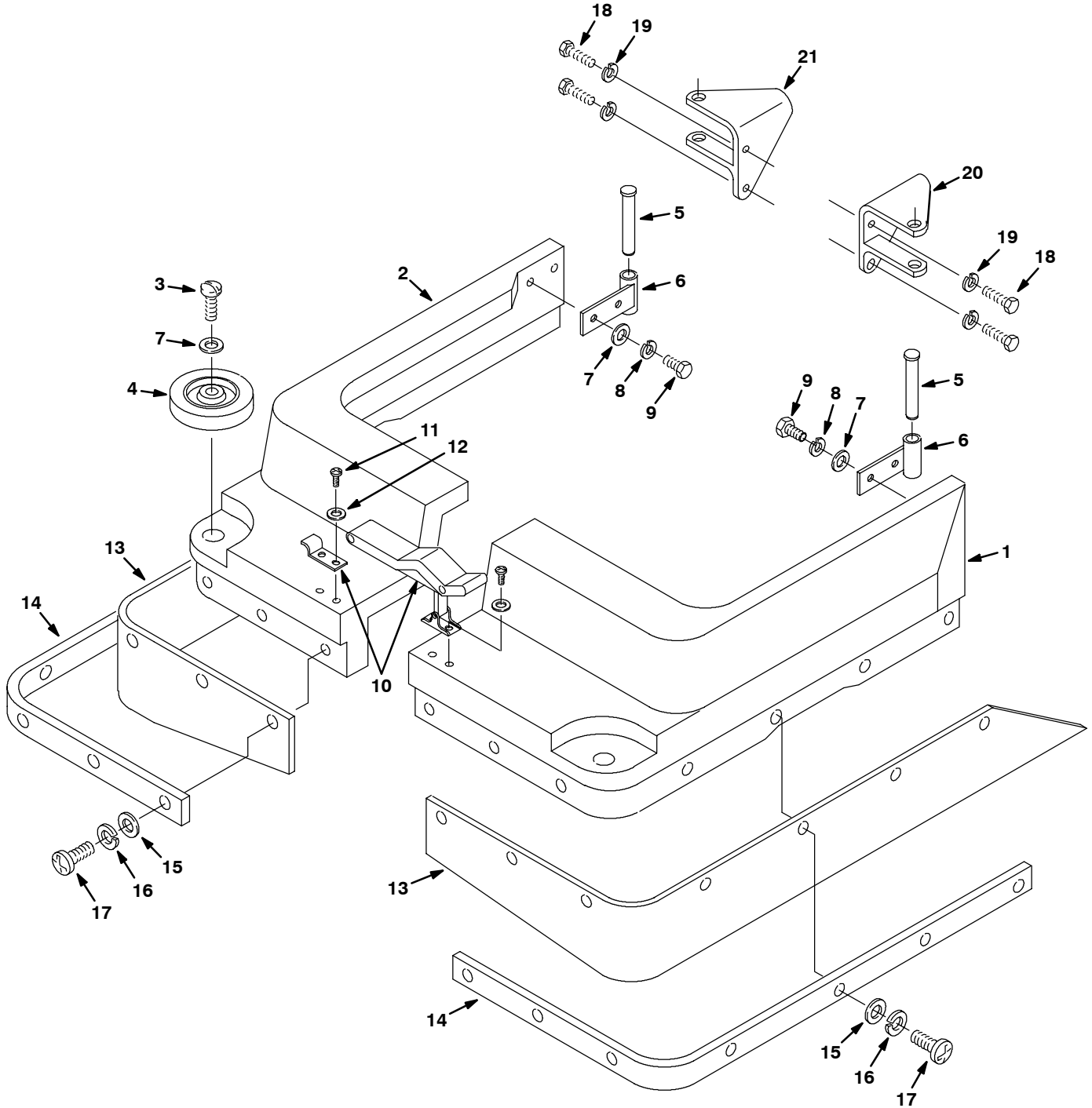
REF	PART #	DESCRIPTION	QTY.
16	607775	CLAMP, HOSE, WIRE .63-.66 BLK	1
17	606704	BRACKET, BRUSH MOTOR MOUNT	1
18	140618	PIN, ROLL .258D X 1.50L ZN	4
19	140204	SCREW, HEX, .50-13X1.50 SS	2
20	140008	WASHER, FLAT 0.57B 1.28D .08 SS	6
21	602882	SLEEVE, P/M, 0.625D 0.502B 0.31L STL PLT	2
22	02931	NUT, HEX LOCK .50-13 NL SS	2
23	140028	WASHER, FLAT, 0.42B 1.00D .05 SS	4
24	140017	WASHER, LOCK, SPLT, 0.38 SS	4
25	140202	SCREW, HEX, .38-16X1.00 SS	4
26	606335	PLATE, DRIVE, MOLDED, NYLON	1
27	25732	WASHER, FLAT, 0.36B 1.25D .09 ZN	1
28	140015	WASHER, LOCK, SPLT, 0.31 SS	1
29	140219	SCREW, HEX, .31-18X1.00 SS	1
30	140417	●CLIP, SPRING	1
31	230651	●CLAMP, BRUSH PLATE	1
32	140136	BUSHING, .38X.50X.28	2
33	230697	●STOP, DRIVER RELEASE	1
34	606915	SCREW, HILO #10-16X0.38 SS	4
35	600299	LIP, FRONT SKIRT	1
36	140047	WASHER, FLAT, 0.75B 1.25D .06 SS	1

▽ ASSEMBLY / CONJUNTO

▲ INCLUDED IN ASSEMBLY / INCLUIDO EN EL CONJUNTO

● RECOMMENDED STOCK ITEMS / ARTICULOS RECOMENDADOS PARA  
MANTENER EN EXISTENCIA

BRUSH SKIRT GROUP  
CONJUNTO JUEGO DE CEPILLO



**BRUSH SKIRT GROUP**  
**CONJUNTO JUEGO DE CEPILLO**

REF	PART #	DESCRIPTION	QTY.
1	608306	SKIRT, 20" LH, GREEN	1
2	608308	SKIRT, 20" RH, GREEN	1
3	603154	●SCREW, PAN, M8X1.25X40 PHL SS	2
4	1014918	●WHEEL, RBR, 3"X1" W/BUSHING	2
5	230943	●PIN, SKIRT	2
6	600301	MOUNT, BRACKET, SKIRT	2
7	140027	WASHER, FLAT, 0.35B 0.75D .04 SS	6
8	140015	WASHER, LOCK, SPLT, 0.31 SS	4
9	578237000	SCREW, HEX, M8X1.25X18 SS, 933	4
10	140932	●LATCH, DRAW, SOFT RBR W/ KEEPER	1

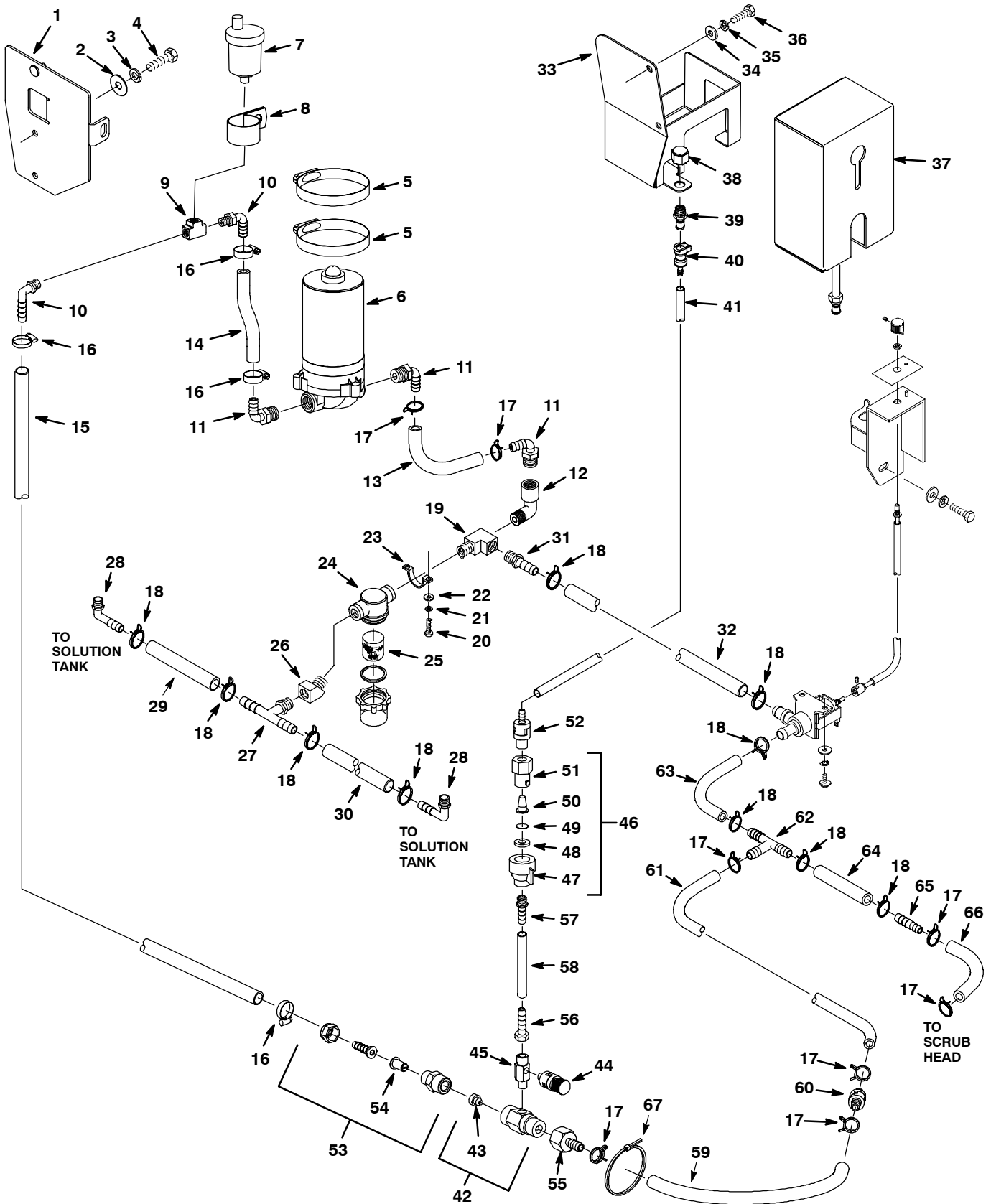
REF	PART #	DESCRIPTION	QTY.
11	200070340	SCREW, PAN, M4X0.7X8 PHL ZN	4
12	02938	WASHER, LOCK, INT. 08 SS	4
13	606705	●SKIRT, SPLASH 30.75"L	2
14	606706	STRAP, SPLASH GUARD 20"	2
15	140011	WASHER, FLAT, 0.21B 0.45D .03 SS	14
16	07514	WASHER, LOCK, INT #10 SS	14
17	578144000	SCREW, PAN, M5X0.8X16 PHL SS	14
18	575029000	SCREW, PAN, M8X1.25X20 PHL SS	4
19	140015	WASHER, LOCK, SPLT, 0.31 SS	4
20	607951	BRACKET, LH SKIRT	1
21	607952	BRACKET, RH SKIRT	1

▽ ASSEMBLY / CONJUNTO

▲ INCLUDED IN ASSEMBLY / INCLUIDO EN EL CONJUNTO

● RECOMMENDED STOCK ITEMS / ARTICULOS RECOMENDADOS PARA MANTENER EN EXISTENCIA

**SOLUTION GROUP (FaST MODEL)**  
**GRUPO DE SOLUCIÓN (MODELO FaST)**



**SOLUTION GROUP (FaST MODEL)**  
**GRUPO DE SOLUCIÓN (MODELO FaST)**

REF	PART #	DESCRIPTION	QTY.
1	1005236	BRACKET, MOUNTING	1
2	140003	WASHER, 1/4X1 FNDR SS	2
3	140016	WASHER, LOCK, 0.25 SS	2
4	15678	SCREW, HEX, M6X1.0X16 SS	2
5	43555	CLAMP, HOSE, WORMDRIVE, 1.62-3.50D, .56W	2
6	1014282	●PUMP, SOLTN, ELE, 24VDC	1
7	1017386	●VALVE, AIR VENT, FLOAT TYPE	1
8	53466	CLAMP, CABLE, STL, 1.50DX1.00W	1
9	150705	FITTING, BRS, TEE, PF02	1
10	1005564	FITTING, PLSTC, E90, BM06/PM02	2
11	1005630	FITTING, PLSTC, E90, BM06/PM06 NYL	3
12	1005318	FITTING, PLSTC, E90, PF06/PM06 NYL	1
13	1014974	HOSE, AFMKT, PVC, BRD 0.38 ID 2FT.	1.920 FT.
14	1014971	HOSE, AFMKT, PVC, BRD 0.38 ID 1FT.	0.540 FT.
15	1014974	HOSE, AFMKT, PVC, BRD 0.38 ID 2FT.	1.920 FT.
16	54333	CLAMP, HOSE, WORMDRIVE, 0.31-0.88D, .31W	4
17	607775	CLAMP, HOSE, WIRE .63-.66 BLK	8
18	607776	CLAMP, HOSE, .73-.77, 2-WIRE	10
19	601483	FITTING, BRS, TEE, PM06/PF06, STRT, T	1
20	609062	SCREW, TRS, M5X0.8X12 PHL, SS	4
21	200655016	WASHER, LOCK, M5.1 SS DIN127B	4
22	575541000	WASHER, M5.3X10X1 FLT, SS D125A	4
23	605056	BRACKET, FILTER MOUNT	2
24	1005302	●FILTER, INLINE, PF06/PF06, 80 MESH	1
25	1005304	●SCREEN, FILTER, 80 MESH	1
26	01997	FITTING, BRS, E45, PM06/PF06	1
27	605046	FITTING, PLSTC, TEE, PM06/BM08/BM08	1
28	1017532	FITTING, PLSTC, E90, PM06/BM08	2
29	613515	TUBING, 1/2 ID X 3/4 OD VINYL 611259 FT. 0.375	0.375 FT.
30	613523	TUBING, 1/2 ID X 3/4 OD VINYL 611259 FT. 1.094	1.094 FT.
31	64743	FITTING, PLSTC, STR, BM08/PM06	1
32	613509	TUBING, 1/2 ID X 3/4 OD VINYL 611259 FT. 0.160	0.160 FT.
33	1002871	BRACKET, HOLDER, BOX	1

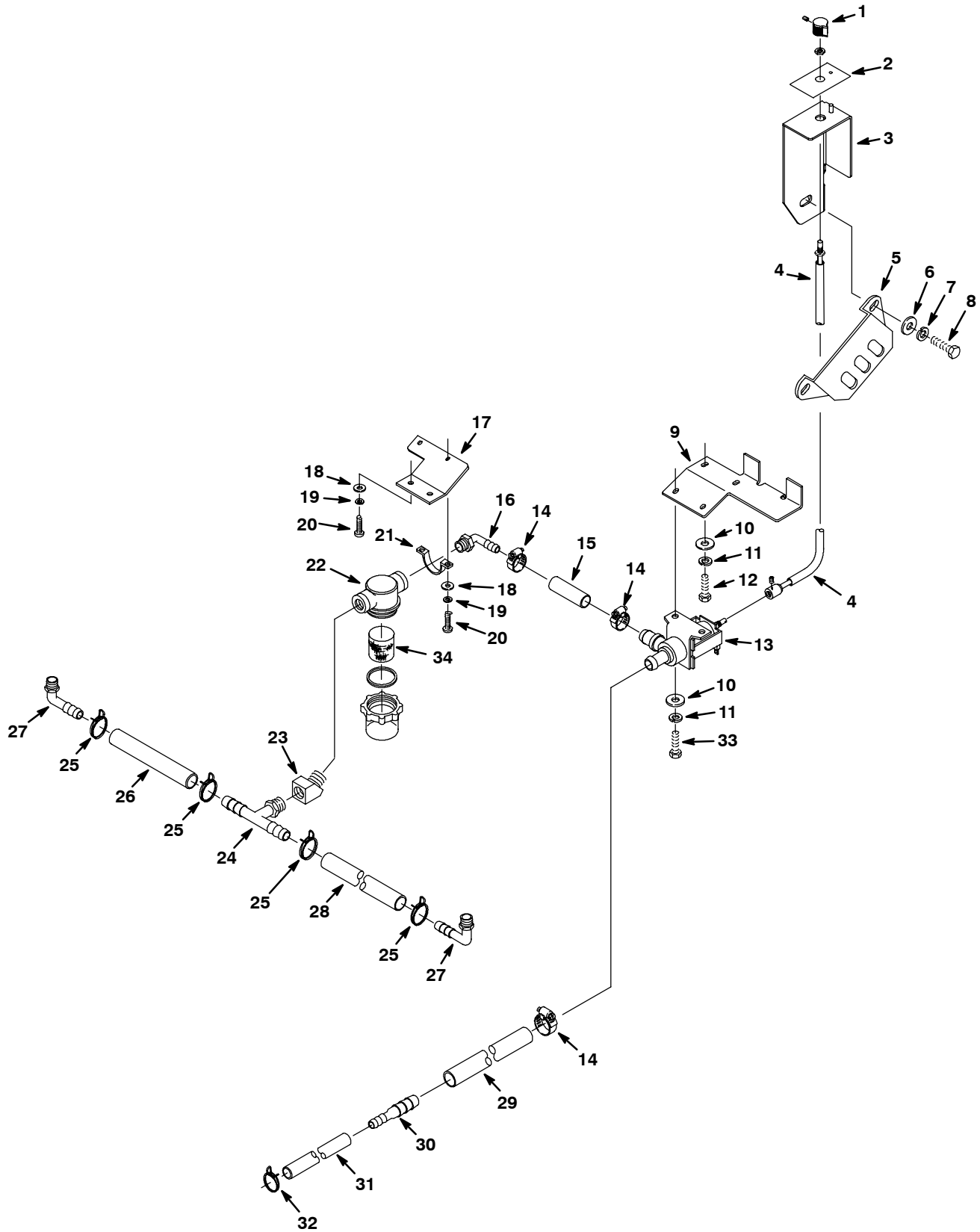
REF	PART #	DESCRIPTION	QTY.
34	140027	WASHER, FLAT, 0.35B 0.75D .04 SS	4
35	140015	WASHER, LOCK, SPLT, 0.31 SS	4
36	16931	SCREW, HEX, M8X1.25X20, 8.8	4
37	1017019	●DETERGENT PKG, 2-LITER, SLG	1
38	1005435	FITTING, PLSTC, PIPE, CAP, PF04	1
39	1006206	COUPLING, MAL, .25 NPT	1
40	1006204	●COUPLING, FEM, W/VALVE .25 BRB	1
41	1014987	HOSE, AFMKT, PVC, CLR 0.25 ID 1FT.	0.670 FT.
▽ 42	1014469	INJECTOR ASSY, SIPHON-1 .022 ORFICE	1
▲ 43	1014470	●PLUG, ORFICE, .022	1
44	1014471	●VALVE, CHECK, PM04, 5PSI	1
45	1014130	●ADAPTOR BODY, AIR, 716-28M/04PM	1
▽ 46	1014201	●FITTING ASSY, CAP, 0.006, PF04	1
▲ 47	1005506	●FITTING PLSTC, CAP, SPRAY, PF04	1
▲ 48	1005508	●WASHER, FLAT, 0.34B 0.75D .12, VITON	1
▲ 49	1014202	●PLATE, ORFICE, 0.006 ID	1
▲ 50	1014203	●SCREEN, 300 MESH, FUSED BRONZE	1
▲ 51	1005507	●FITTING, PLSTC, BODY, SPRAY, PF04	1
52	1014254	●VALVE, CHECK, BM04/PM04, 2 PSI	1
▽ 53	1013411	●FILTER ASSY, 50 MESH	1
▲ 54	1013408	●FILTER, BRASS/SS, 50 MESH	1
55	1014276	●FITTING, BRS, STR, BM06/PF12	1
56	150510	●FITTING, BRS, STR, PF04/BM04	1
57	150515	FITTING, BRS, STR, PM04/BM04, T	1
58	1014987	HOSE, AFMKT, PVC, CLR 0.25 ID 1FT.	1.000 FT.
59	1014971	HOSE, AFMKT, PVC, BRD 0.38 ID 1FT.	1.000 FT.
60	1015455	●VALVE, CHECK, BM06/BM06, 5 PSI	1
61	1014974	HOSE, AFMKT, PVC, BRD 0.38 ID 2FT.	1.080 FT.
62	630372	FITTING, PLSTC, TEE, BM08/BM06/BM08	1
63	613518	TUBING, 1/2 ID X 3/4 OD VINYL 611259 FT. 0.670	0.670 FT.
64	613518	TUBING, 1/2 ID X 3/4 OD VINYL 611259 FT. 0.670	0.670 FT.
65	612774	FITTING, PLSTC, STR, BM08/BM06	1
66	1014971	HOSE, AFMKT, PVC, BRD 0.38 ID 1FT.	0.229 FT.
67	130773	TIE, CABLE, NYL, 11.0L .09W, BLK.	6

▽ ASSEMBLY / CONJUNTO

▲ INCLUDED IN ASSEMBLY / INCLUIDO EN EL CONJUNTO

● RECOMMENDED STOCK ITEMS / ARTICULOS RECOMENDADOS PARA MANTENER EN EXISTENCIA

SOLUTION GROUP (STANDARD MODEL)  
GRUPO DE SOLUCIÓN (MODELO ESTÁNDAR)





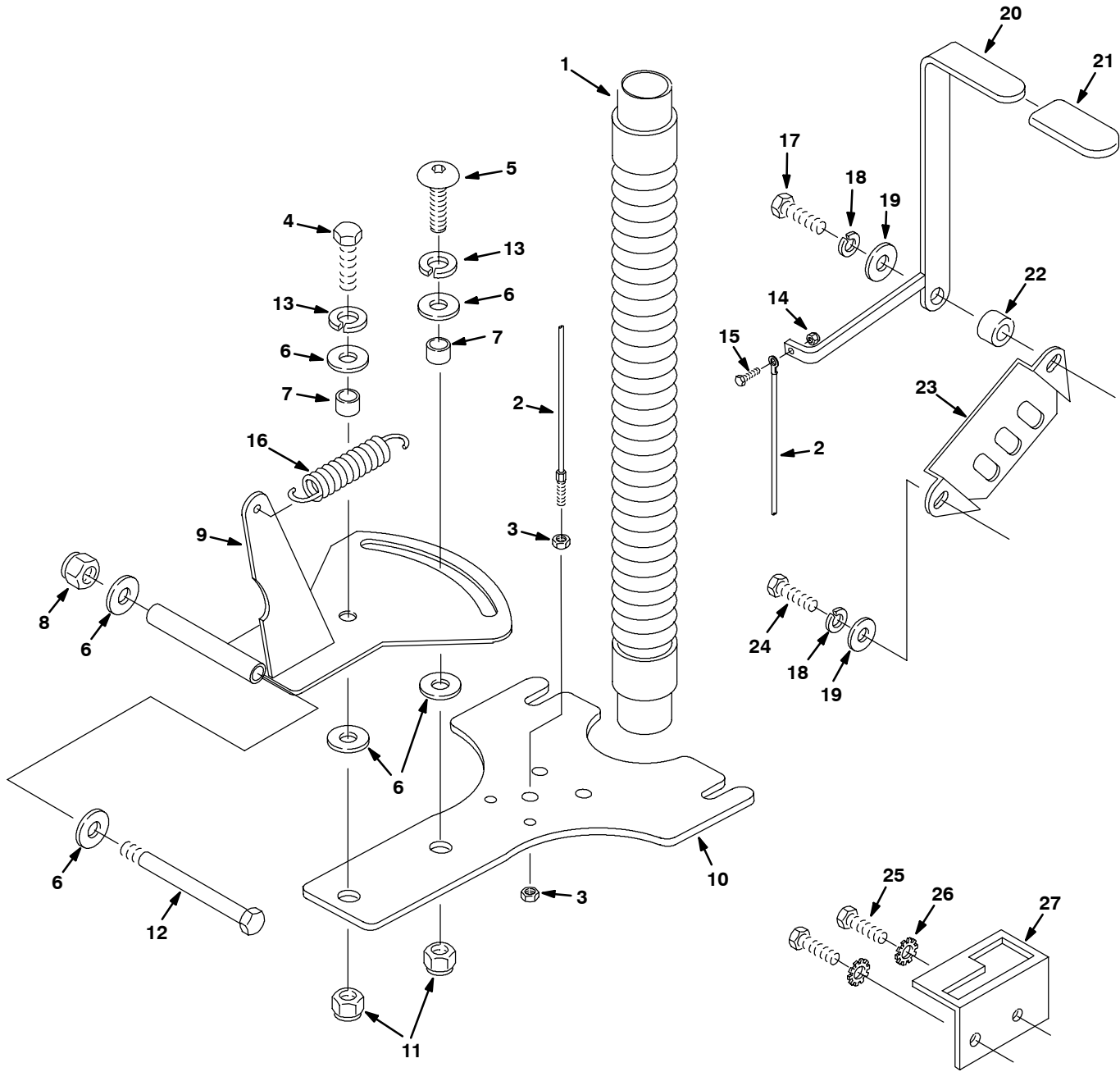
**SOLUTION GROUP (STANDARD MODEL)**  
**GRUPO DE SOLUCIÓN (MODELO ESTÁNDAR)**

REF	PART #	DESCRIPTION	QTY.
1	626121	KNOB, RND 0.71D 0.75L 0.25B PLSTC	1
2	612039	DECAL, SOLUTION CONTROL	1
3	1002538	BRACKET, SOLUTION CONTROL	1
4	612497	CABLE, WATER FLOW CONTROL	1
5	230661	PLATE, LOCK CONTROL HOUSING	1
6	140027	WASHER, FLAT, 0.35B 0.75D .04 SS	2
7	140015	WASHER, LOCK, SPLT, 0.31 SS	2
8	16931	SCREW, HEX, M8X1.25X20, 8.8	2
9	611822	BRACKET, SOLENOID MOUNT	1
10	140000	WASHER, FLAT, 0.28B .062D .04 SS	4
11	140016	WASHER, LOCK, 0.25 SS	4
12	15678	SCREW, HEX, M6X1.0X16 SS	2
13	612498	●VALVE, LIQUID DISPENSING	1
14	54333	CLAMP, HOSE, WORMDRIVE, 0.31-0.88D, .31W	3
15	613509	TUBING, 1/2 ID X 3/4 OD VINYL 611259 FT. 0.160	0.160 FT.
16	1017532	FITTING, PLSTC, E90, PM06/BM08	1
17	611820	BRACKET, FILTER MOUNT	1
18	575541000	WASHER, M5.3X10X1 FLT, SS D125A	4

REF	PART #	DESCRIPTION	QTY.
19	200655016	WASHER, LOCK, M5.1 SS DIN127B	4
20	609062	SCREW, TRS, M5X0.8X12 PHL, SS	4
21	605056	BRACKET, MTG FILTER	1
22	1005302	●FILTER, INLINE, PF06/PF06, 80 MESH	1
23	01997	FITTING, BRS, E45, PM06/PF06	1
24	605046	FITTING, PLSTC, TEE, PM06/BM08/BM08	1
25	607776	CLAMP, HOSE, .73-.77, 2-WIRE	4
26	613515	TUBING, 1/2 ID X 3/4 OD VINYL 611259 FT. 0.375	0.375 FT.
27	1017532	FITTING, PLSTC, E90, PM06/BM08	2
28	613523	TUBING, 1/2 ID X 3/4 OD VINYL 611259 FT. 1.094	1.094 FT.
29	613525	TUBING, 1/2 ID X 3/4 OD VINYL 611259 FT. 1.208	1.208 FT.
30	612774	FITTING, PLSTC, STR, BM08/BM06	1
31	613446	TUBING, 3/8 ID X 5/8 OD CLEAR 611254 FT. 0.833	0.833 FT.
32	607775	CLAMP, HOSE, WIRE .63-.66 BLK	1
33	200031432	SCREW, HEX, M6X1.0X10	2
34	1005304	●SCREEN, FILTER, 80 MESH	1

● RECOMMENDED STOCK ITEMS / ARTICULOS RECOMENDADOS PARA  
MANTENER EN EXISTENCIA

SQUEEGEE CONTROL GROUP  
CONJUNTO DE PALETA PLANCAS



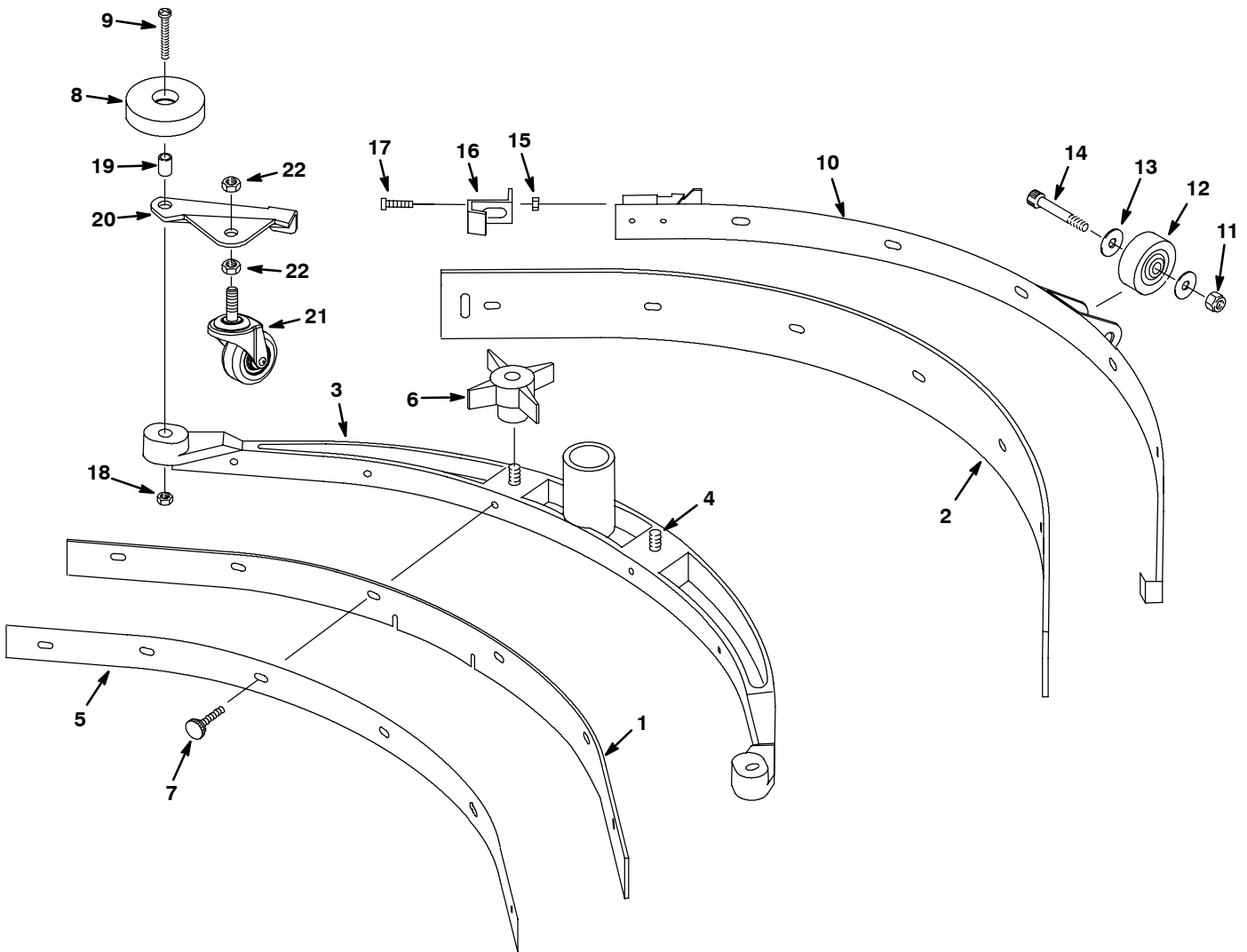
**SQUEEGEE CONTROL GROUP**  
**CONJUNTO DE PALETA PLANCAS**

REF	PART #	DESCRIPTION	QTY.
1	160613	●HOSE, VACUUM, 1.5DX30L, 2-CUFFS	1
2	1015636	●CABLE, SQUEEGEE LIFT	1
3	41169	NUT, HEX LOCK, .25-20 NL SS	2
4	140236	SCREW, HEX, .50-13X1.25 ZN	1
5	611480	SCREW, TRS, .50-13X1.25 PHL SS	1
6	140045	WASHER, FLAT, 0.51B 1.25D .06 SS	6
7	140139	SLEEVE, P/M, 0.625D 0.500B 0.25L STL PLT	2
8	02931	NUT, HEX LOCK .50-13 NL SS	1
9	611494	BRACKET, PIVOT, MOUNT, SQUEEGEE	1
10	1011342	BRACKET, SQUEEGEE MOUNT	1
11	140509	NUT, 1/2-13 HXJM SS	2
12	602981	SCREW, HEX, .50-13X5.50 ZN	1
13	140024	WASHER, LOCK 0.50 SS	2
14	08712	NUT, HEX LOCK, M6X1.0 SS NL	1
15	15678	SCREW, HEX, M6X1.0X16 SS	1

REF	PART #	DESCRIPTION	QTY.
16	611477	SPRING, SQUEEGEE	1
17	200031496	SCREW, M8X1.25X35	1
18	140015	WASHER, LOCK, SPLT, 0.31 SS	2
19	140027	WASHER, FLAT, 0.35B 0.75D .04 SS	2
20	602885	HANDLE, SQUEEGEE LIFT	1
21	200816	●GRIP, HANDLE .25 X 1 X 2.25	1
22	604358	SPACER BUSHING	1
23	230661	PLATE, LOCK CONTROL HOUSING	1
24	16931	SCREW, HEX, M8X1.25X20, 8.8	1
25	140268	SCREW, HEX, M5X0.8X12 SS	2
26	140031	WASHER, #10 EXT ZN	2
27	230712	PLATE, SQUEEGEE LOCK	1

- RECOMMENDED STOCK ITEMS / ARTICULOS RECOMENDADOS PARA MANTENER EN EXISTENCIA

SQUEEGEE ASSEMBLY GROUP  
CONJUNTO PALETA



**SQUEEGEE ASSEMBLY GROUP**  
**CONJUNTO PALETA**

REF	PART #	DESCRIPTION	QTY.
▽	612025	ASSEMBLY, SQUEEGEE, LINATEX	1
▲▽	606758	●KIT, SQUEEGEE BLADES, LINATEX	1
▲ 1	605030	●BLADE, FRONT SQUEEGEE, LINATEX (RED)	1
▲ 2	605029	●BLADE, REAR SQUEEGEE, LINATEX (RED)	1
1	605032	●BLADE, FRONT SQUEEGEE, URETHANE (WHITE)	1
2	611634	●BLADE, REAR SQUEEGEE, URETHANE (WHITE)	1
▽	606741	ASSEMBLY, SQUEEGEE, GUM RUBBER	1
▲▽	606757	●KIT, SQUEEGEE BLADES, GUM RUBBER	1
▲ 1	605028	●BLADE, FRONT SQUEEGEE, GUM RUBBER (TAN)	1
▲ 2	605027	●BLADE, REAR SQUEEGEE, GUM RUBBER (TAN)	1
▲ 3	611462	CASTING, SQUEEGEE	1
▲ 4	140799	SCREW, TRS, .31-18X1.50 PHL SS	2
▲ 5	605034	STRAP, SQGE, FRONT 700MM	1

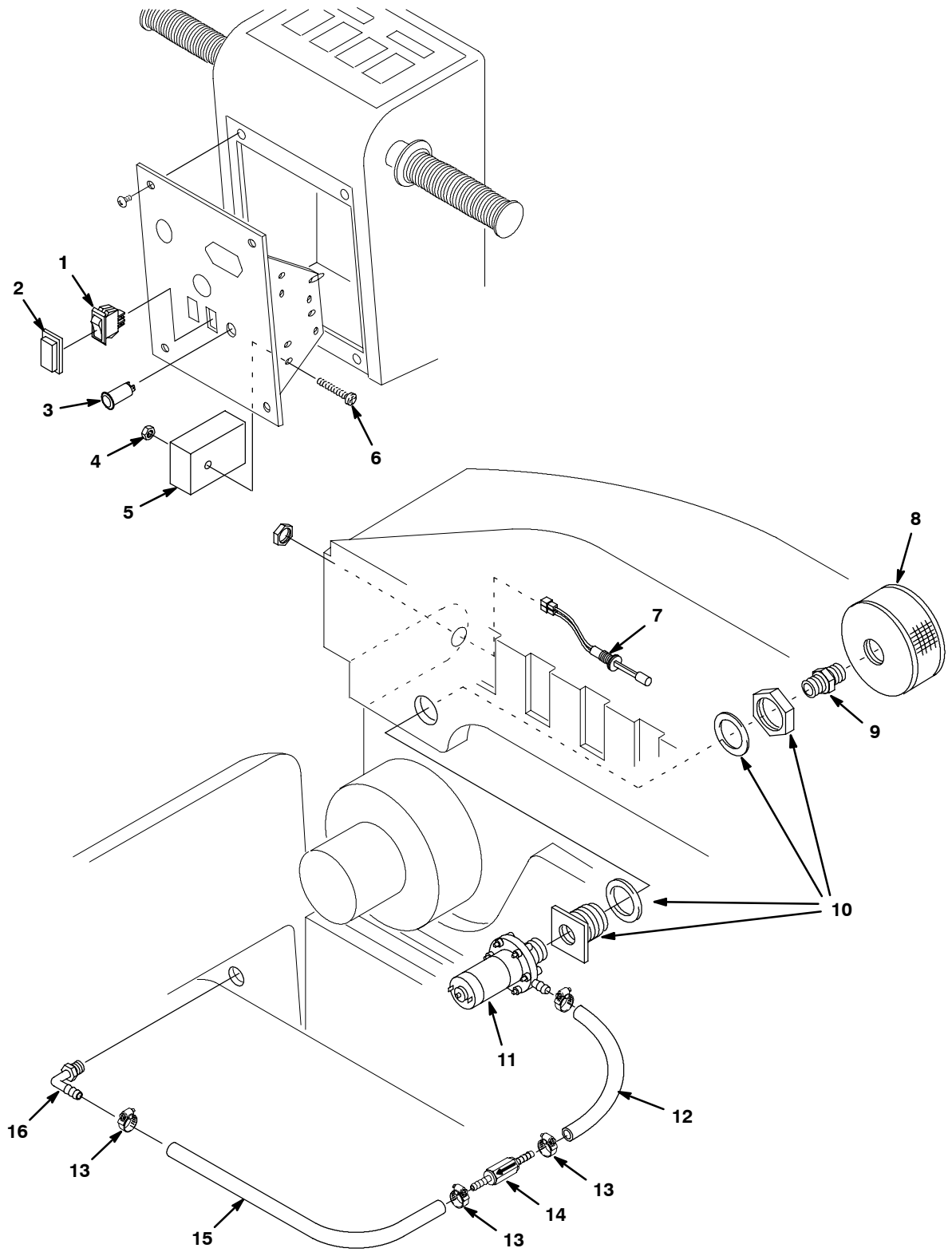
▽ ASSEMBLY / CONJUNTO

▲ INCLUDED IN ASSEMBLY / INCLUIDO EN EL CONJUNTO

● RECOMMENDED STOCK ITEMS / ARTICULOS RECOMENDADOS PARA MANTENER EN EXISTENCIA

REF	PART #	DESCRIPTION	QTY.
▲ 6	370100	●KNOB, STAR, 2.8OD, 4 EAR 1.1L .31-18 PLSTC	2
▲ 7	603012	●KNOB, RND, 19D PLSTC, M6X12 STUD ZN	6
▲ 8	1010560	WHEEL, BUMPER, 80D X 25W, NON-MARKING	2
▲ 9	140799	SCREW, TRS, .31-18X1.50 PHL SS	2
▲ 10	605033	STRAP ASSY, SQGE, 700MM, REAR	1
▲ 11	601108000	NUT, 5/16-18 HXLCK THIN NY	1
▲ 12	630477	●WHEEL, 2.0D 0.38W POLY GRAY	1
▲ 13	140028	WASHER, FLAT, 0.42B 1.00D .05 SS	2
▲ 14	600187	BOLT, SHLD, .38D X 1.25, .31-18	1
▲ 15	09739	NUT, HEX, LOCK, M5X0.8, NL, SS	1
▲ 16	605069	CLIP, BAND, SQUEEGEE	1
▲ 17	630389	SCREW, PAN, M5X0.8X45 PHL SS	1
▲ 18	140506	NUT, HEX, STD, .31-18 SS	2
▲ 19	222460	SLEEVE, P/M, 0.496D 0.318B 0.50L 430SS	2
▲ 20	1010488	BRACKET, CASTER MTG, SWIVEL, RH (SHOWN)	1
	1006347	BRACKET, CASTER MTG, SWIVEL, LH	1
▲ 21	1006343	CASTER, SWIVEL, 2.0D, 0.8W M10 STEM	2
▲ 22	39312	NUT, HEX, STD, M10X1.5	4

ES (EXTENDED SCRUB) KIT  
ES (FREGADO PROLONGADO) JUEGO



**ES (EXTENDED SCRUB) KIT  
ES (FREGADO PROLONGADO) JUEGO**

REF	PART #	DESCRIPTION	QTY.
∇	604780	*KIT, RECYCLE	1
▲ 1	630419	●SWITCH, ROCKER, 28VDC A SPST	1
▲ 2	578720	●SPLASHGUARD, ROCKER SWITCH	1
▲ 3	130738	●LIGHT, INDICATOR, VDC, GREEN	1
▲ 4	09739	NUT, HEX LOCK, M5X0.8, NL, SS	1
▲ 5	630145	●TIMER	1
▲ 6	578008000	SCREW, PAN, M5X0.8X30, PHL, ZN	1
▲ 7	603166	●SENSOR, LEVEL, LIQUID, 28VDC .28A	1
▲ 8	630138	●FILTER, SCREEN, 100 MESH	1
▲ 9	630385	FITTING, PLSTC, STR, PM12/PM12 01.5L	1

REF	PART #	DESCRIPTION	QTY.
▲ 10	601490	FITTING, PLSTC, STR, PM12, BH	1
▲ 11	630136	●PUMP, SOL 24VDC 3116"TERM 3/4"	1
▲ 12	607308	HOSE, 3/8IDX5/8ODX8	1
▲ 13	54333	CLAMP, HOSE, WORMDRIVE, 0.31-0.88D, .31W	4
▲ 14	210044	●VALVE, CHECK, GPM 1PSI BM06/BM06	1
▲ 15	607103	HOSE, 3/8IDX5/8ODX1.25FT	1
▲ 16	150415	FITTING, PLSTC, E90, PM04/BM06	1
▲ N/S	604787	HARNESS, WIRE ES KIT	1
▲ N/S	630440	DECAL, "FILTER REMOVE"	1

∇ ASSEMBLY / CONJUNTO

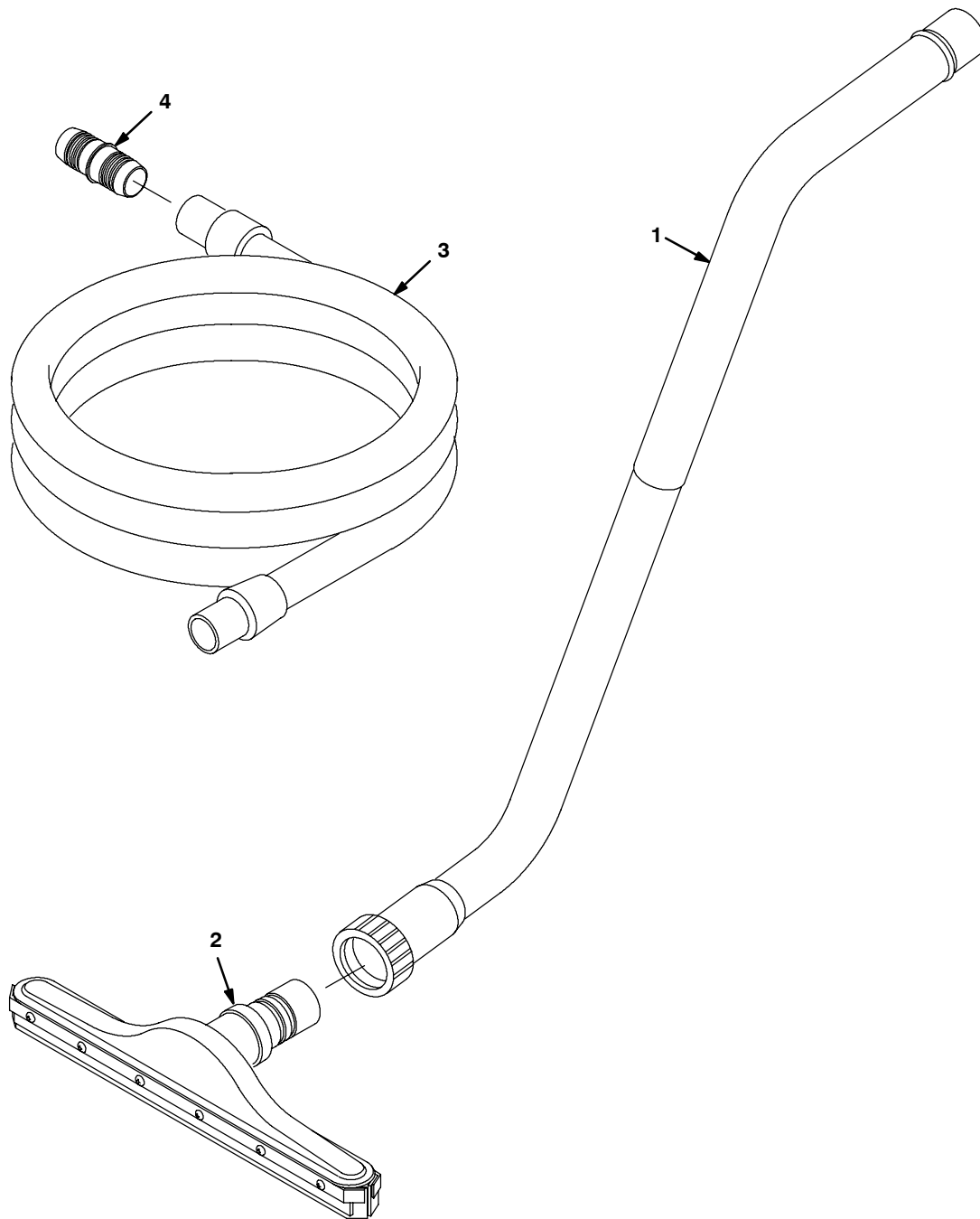
▲ INCLUDED IN ASSEMBLY / INCLUIDO EN EL CONJUNTO

● RECOMMENDED STOCK ITEMS / ARTICULOS RECOMENDADOS

N/S = NOT SHOWN

\* KIT NOT INTENDED FOR FaST MODELS / LA OPCIÓN DEL ES NO ESTÁ  
DISPONIBLE PARA LOS MODELOS FaST.

**SQUEEGEE WAND ASSEMBLY  
GROUPE D'ASPIRATION ET RACLETTE À MAIN**



REF	PART #	DESCRIPTION	QTY.
▽	190928	●KIT, AUTOSCRUB WET PICK-UP	1
▲	1	6108.1 WAND, TWO BEND ALUMINUM	1
▲	2	13840 SQUEEGEE ASM PUSH/PULL 14"	1

REF	PART #	DESCRIPTION	QTY.
▲	3	160481 ●HOSE, VACUUM, 1.5DX10'L., 1-SWIVEL CUFF	1
▲	4	160451 CONNECTOR, 1-1/2 VACUUM HOSE	1

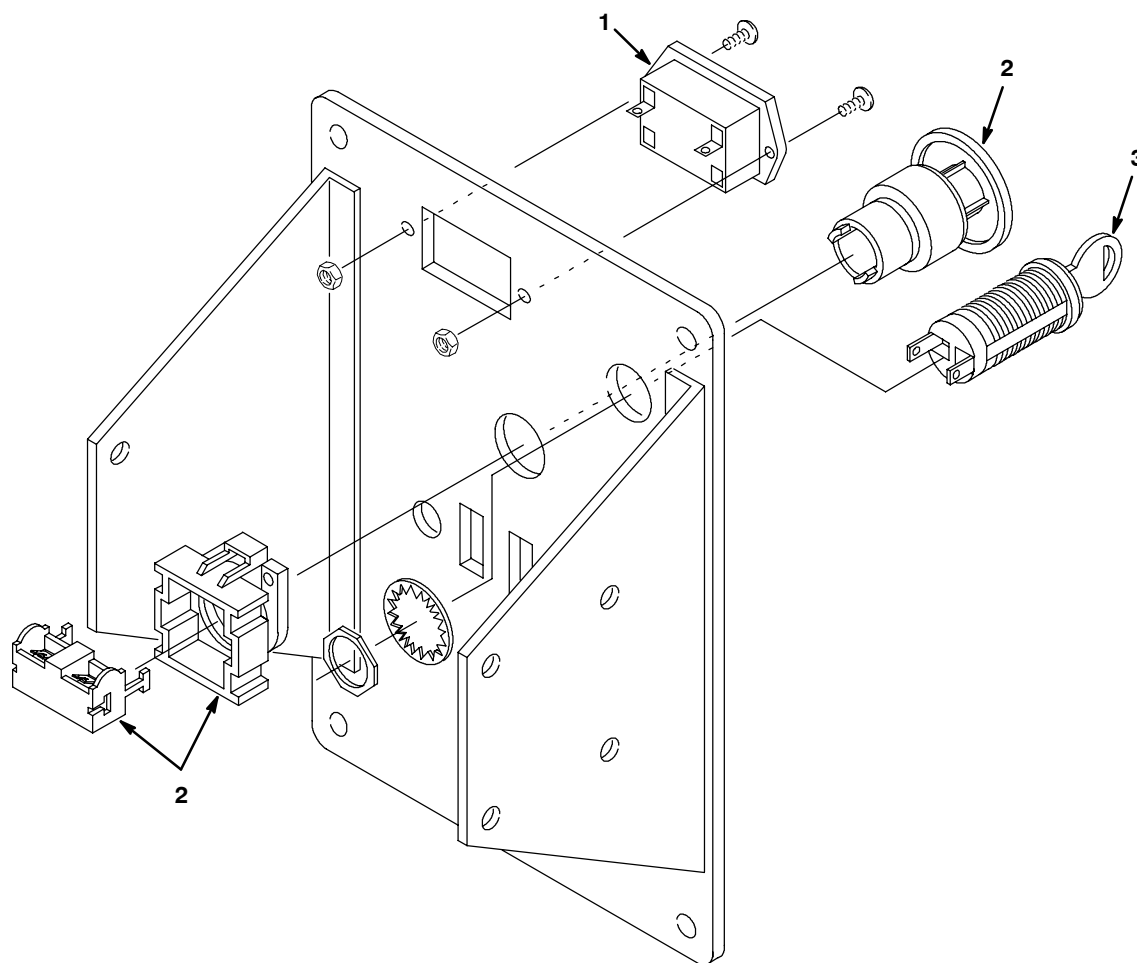
▽ ASSEMBLY / CONJUNTO

▲ INCLUDED IN ASSEMBLY / INCLUIDO EN EL CONJUNTO

● RECOMMENDED STOCK ITEMS / ARTICULOS RECOMENDADOS



**HOUR METER, EMERGENCY STOP, KEYSWITCH AND LOW VOLTAGE KITS  
MEDIDOR DE HORA, BOTÓN DE EMERGENCIA, INTERRUPTOR DE LLAVE,  
HERRAMIENTAS DE BAJO VOLTAGE**



REF	PART #	DESCRIPTION	QTY.
▽ 1	602999	●GAUGE KIT, HOURMETER	1
▲	1010555	●GAUGE, HOURMETER, 14-48VDC, LCD, RT	1
▲	603000	ASM., WIRE #18X5" BLU #10RX.187F	1
▲	603004	ASM., WIRE #18X5" BLK #10RX.187F	1
▽ 2	602995	●KIT, E-STOP	1
▲	630100	●SWITCH, PUSH, E-STOP TCO#28429	1
▲	630097	●SWITCH, CONTACT VC A NC11608	1
▲	602996	ASM, WIRE #16X5" RED 1/4FX1/4F	1
▲	602997	ASM, WIRE #16X5" RED 1/4MX1/4F	1

REF	PART #	DESCRIPTION	QTY.
▽ 3	602993	●KIT, KEYSWITCH	1
▲	607475	●SWITCH, KEYLOCK, 12AMP	1
▲	607821	●KEY, REPLACEMENT, STEEL	1
▽N/S	603074	●KIT, LOW VOLT INTRPT	1
▲	603076	●GAUGE, DISCHARGE, BATTERY 24VDC, DIGITAL	1
▲	603314	RELAY ASM, LOW VOLTAGE IN-TERPT	1
▲	603078	ASM., WIRE #18X9" GRN .187FX#10R	1
▲	603080	ASM., WIRE #18X8" BLK .187FX#10R	1
▲	603081	ASM., WIRE #18X12" RED .187FX.250PIGGYBACK	1
▲	130040	TIE, CABLE, NYL, 06.0L .12W	1

▽ ASSEMBLY / CONJUNTO

▲ INCLUDED IN ASSEMBLY / INCLUIDO EN EL CONJUNTO

● RECOMMENDED STOCK ITEMS / ARTICULOS RECOMENDADOS PARA MANTENER EN EXISTENCIA