



JUV™

North America Price Book

December 2021



ergotron®
CONTRACT

JÜV Price Book Updates

This page lists all the updates added to this price book since the initial version.

Date	Page	Description
November 2019	27	Terms and conditions updated
December 2019	13	JÜV Panel product added
December 2019	11	JÜV Wall Riser pricing added
December 2019	5	JÜV Wall technical specs updated
December 2019	10	JÜV Wall Worksurface pricing updated
November 2021	—	JÜV price increase and technical specs updated

Table of Contents

JÜV Wall Mount	
Technical Specifications	5
Specification Guide	8
Lift Engine Non-Power	9
Worksurface	10
Accessory Monitor Riser	11
Accessory Insert	12
JÜV Panel Mount	
Technical Specifications	14
Specification Guide	17
Lift Engine Non-Power	18
Mounting Kit	19
Worksurface	21
Accessory Monitor Riser	22
Accessory Insert	23
Terms and Conditions	24
Index	25

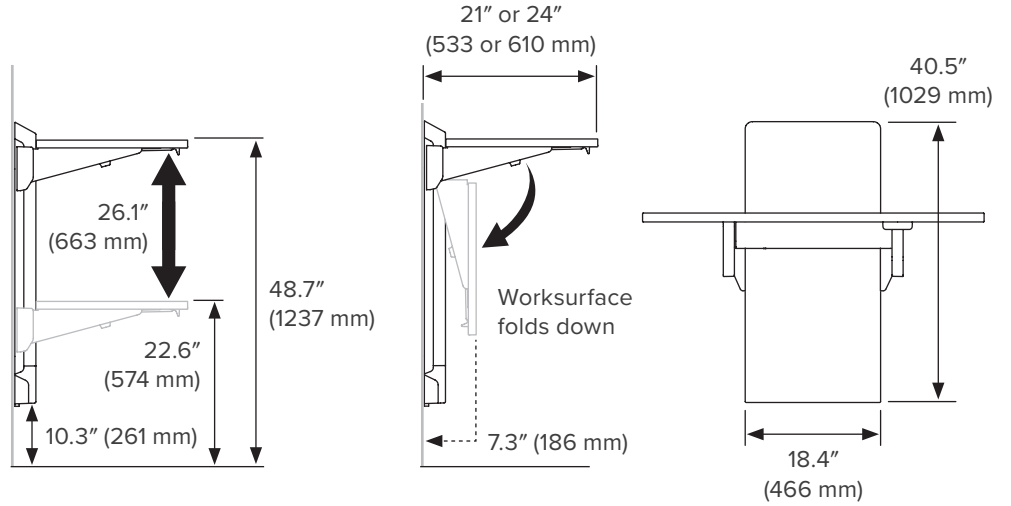
JUV Wall



JUV Wall Mount — Technical Specifications

Vertical Lift System

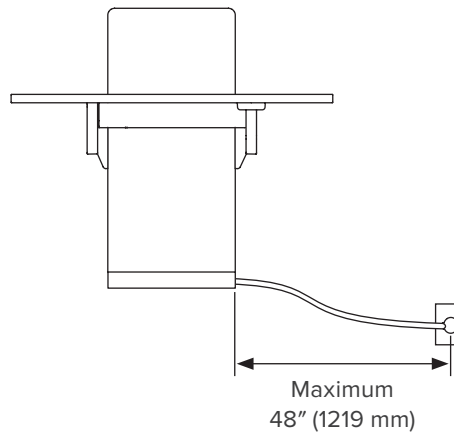
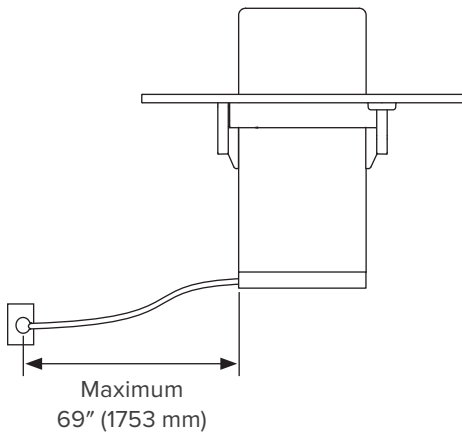
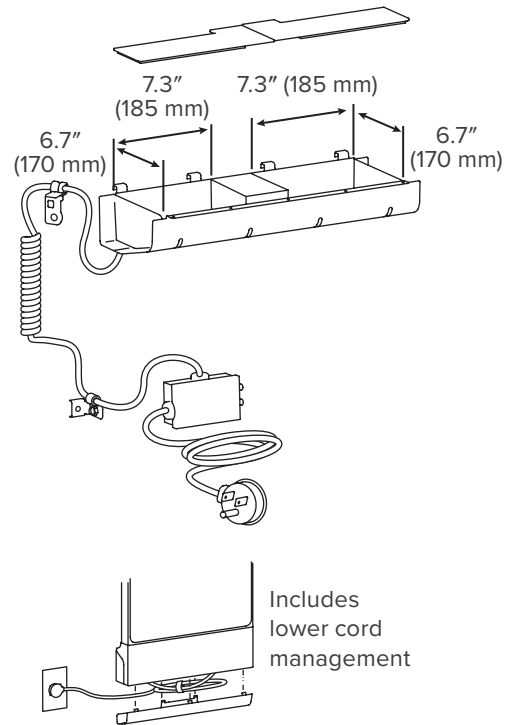
- Non-electric, adjustable worksurface provides full 26" (66 cm) BIFMA ergonomic range: 22.6–48.7" (57.4–123.7 cm)
- Constant Force™ technology for easy, non-electric adjustment
- Surface supports up to 40 lbs (18.14 kg) for easiest lift experience



Charging Accessory/Power Options

- Integrated power and USB charging accessory available
- AC input: 120 v ~ 60 – Hz
- Max amps: 12A
- Includes 3 AC outlets and 2 USB jacks
- UL962 Certified

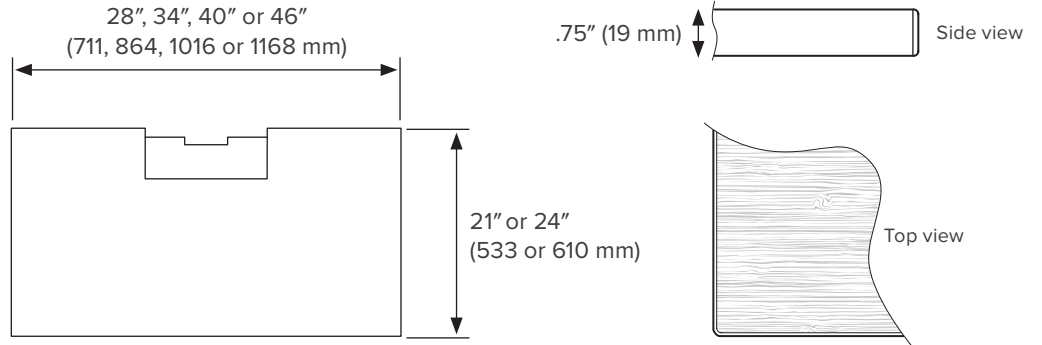
- Power cord provides access to outlets up to 69" (1753 mm) to the left and up to 48" (1219 mm) to the right
- When power is added, 1-piece access cover changes to 2-piece removable cover
- Includes tamper resistant receptacles



JUV Wall Mount — Technical Specifications

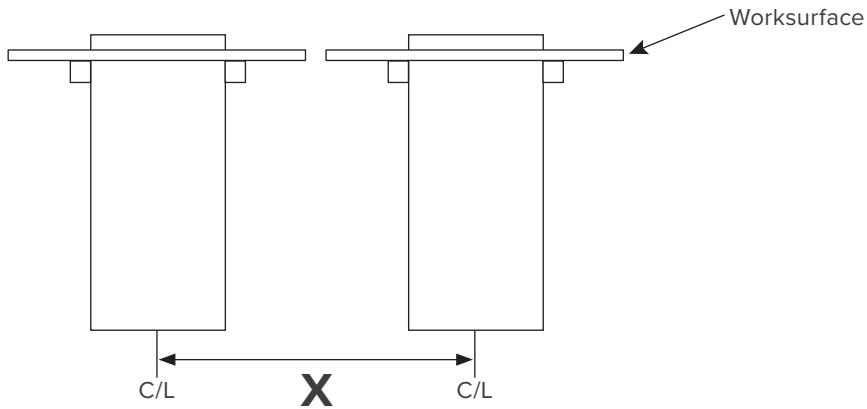
Surface

- Space-saving, flip-down worksurface
- 8 worksurface size options: 21" (533 mm) or 24" (610 mm) by 28" (711 mm), 34" (864 mm), 40" (1016 mm) or 46" (1168 mm)
- Worksurface edge is .75" (19 mm) and includes 2 mm ABS edgeband
- Woodgrain runs width of surface



Multi-Unit Configuration

- Place units next to each other for multiple surfaces
- Allow enough space between units by adding 2" (50.8 mm) to the space between the center of each worksurface to eliminate pinch points



X = width of worksurface + 2" (50.8 mm) minimum

28" (533 mm) worksurface = 30" (762 mm) spacing

34" (863.6 mm) worksurface = 36" (914.4 mm) spacing

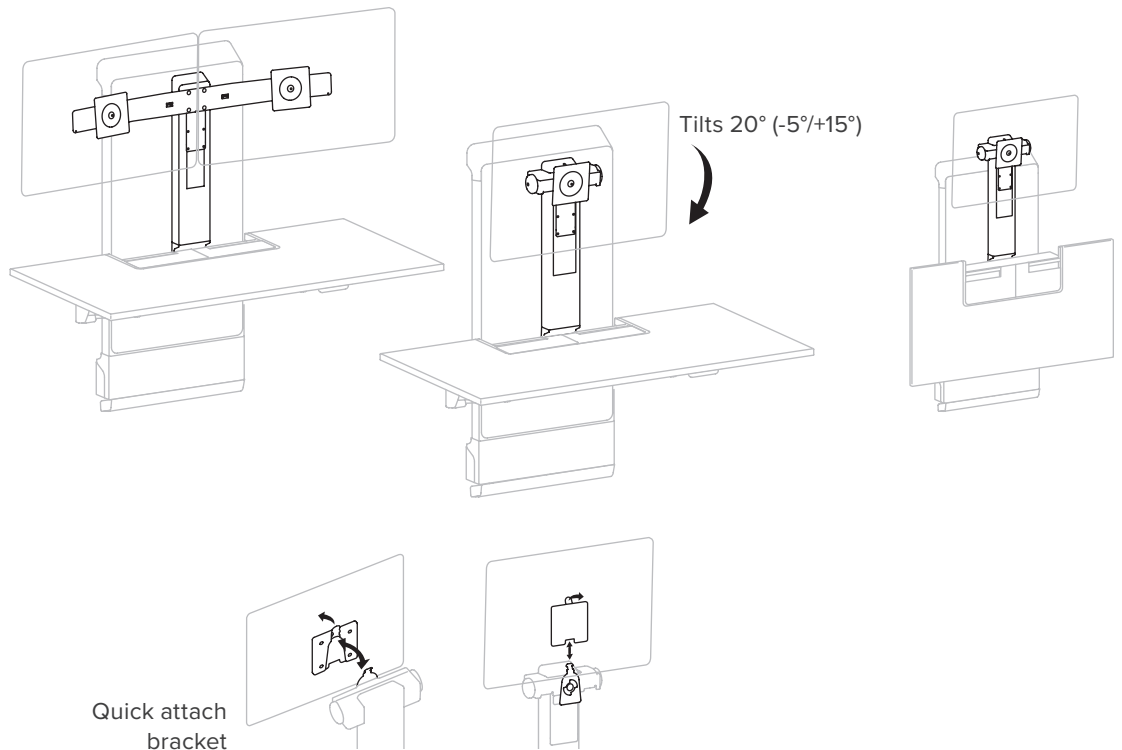
40" (1016 mm) worksurface = 42" (1066.8 mm) spacing

46" (1168.4 mm) worksurface = 48" (1219.2 mm) spacing

JÜV Wall Mount Accessories — Technical Specifications

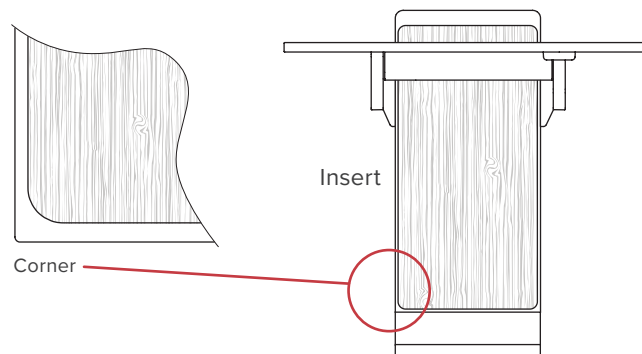
JÜV Monitor Riser Accessory

- Integrates single or dual monitors
- Dual riser accommodates up to two 27" monitors
- Single LD monitor riser: 6–16 lbs (2.7–7.2 kg)
- Single HD monitor riser: 14–28 lbs (6.3–12.7 kg)
- Dual monitor riser: 14–28 lbs (6.3–12.7 kg)
- Risers include 5" (13 cm) lift
- Single monitor tilts 20° (-5°/+15°)
- Worksurface in flip-down position does not interfere with riser
- Distance from wall to front of VESA plate is 7.25" (18.4 cm)
- Riser recommended on 24" (609.6 mm) deep worksurface only for optimal focal depth
- Includes universal VESA plate with quick attach bracket for easy install



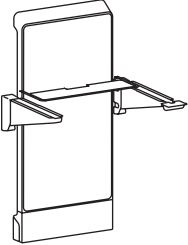
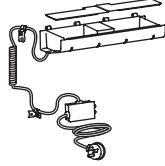
Custom Insert Options

- Field-applied laminate accessory
- Includes adhesive backer
- Non-removable
- Woodgrain runs vertically
- Sold only in sets

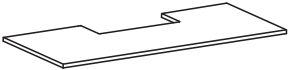


JÜV Wall Mount – Specification Guide

1. Specify the Engine

JWEC	-	P or N	-	____
JÜV Wall Engine with Constant Force™ technology		Add Power/Charging Accessory P = With Power/Charging Accessory N = Without Power/Charging Accessory		Trim Finish Code
				

2. Specify the Worksurface

JWW	-	____	-	A	-	____
JÜV Wall Worksurface		Depth and Width		ABS Edgeband		Laminate Finish Code
						

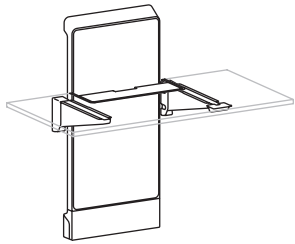
3. Specify the Accessories* – Insert, Monitor Riser

JA	-	____	-	____
JÜV Accessories				Finish Code
JWA	-	____	-	____
JÜV Wall Accessories				Finish Code
JPA	-	____	-	____
JÜV Panel Accessories				Finish Code

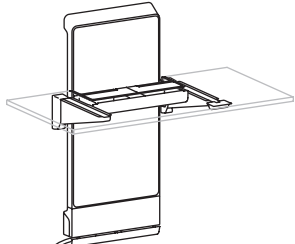
***NOTE:**

- JA Accessories can be used on both JÜV Wall and Panel products
- JWA Accessories can be used only on JÜV Wall product
- JPA Accessories can be used only on JÜV Panel product

JUV Wall Mount – Lift Engine Non-Electric



Non-Power



Power

Description	Part Number	List
Without Power/Charging Accessory	JWEC-N-_____	\$1,028
With Power/Charging Accessory	JWEC-P-_____	\$1,295

Features

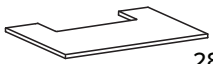
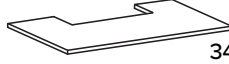


- Designed with patented Constant Force™ technology, creating a non-electric lift engine
- Provides full 26" (66 cm) BIFMA ergonomic range: 22.6–48.7" (57.4–123.7 cm)
- UL 962 certified
- Charging accessory refers to electrical and USB outlets at worksurface. Power is not needed to adjust the worksurface
- Charging accessory includes 3 tamper resistant outlets and 2 USB charging ports

Specifications

- Lift engine comes with worksurface trim to accept separately specified .75" (19 mm) worksurface
- Charging accessory attaches to worksurface during installation
- Installation is intended for commercial applications only
- Please reference installation manual for non-commercial applications

Color Options	Trim Finish Code
Graphite	029
Snow White	030

JÜV Wall Mount – Worksurface

	Depth	Width	Part Number	Grade 1	Grade 2	Grade 3
	21" (533 mm)	28" (711 mm)	JWW-2128-A-_____	\$263	\$284	\$445
28"	21" (533 mm)	34" (863.6 mm)	JWW-2134-A-_____	\$284	\$305	\$466
	21" (533 mm)	40" (1016 mm)	JWW-2140-A-_____	\$305	\$327	\$487
34"	21" (533 mm)	46" (1168.4 mm)	JWW-2146-A-_____	\$316	\$348	\$509
	24" (610 mm)	28" (711 mm)	JWW-2428-A-_____	\$273	\$295	\$455
40"	24" (610 mm)	34" (863.6 mm)	JWW-2434-A-_____	\$295	\$316	\$477
	24" (610 mm)	40" (1016 mm)	JWW-2440-A-_____	\$316	\$338	\$498
46"	24" (610 mm)	46" (1168.4 mm)	JWW-2446-A-_____	\$327	\$348	\$519

Features

- TSCA compliant worksurface construction
- 2 mm ABS edge band
- Designed to accept JÜV Power/Charging Accessory

Specifications

- Worksurface is .75" (19 mm) thick partial board core with high pressure laminate
- Laminate pattern to run width of worksurface

	Color Options	HPL Finish Code
Grade 1	Designer White	902
	Frosty White	903
	Linen	904
	Manitoba Maple	906
Grade 2	Walnut Heights	905
	Phantom Cocoa	909
	Phantom Pearl	910
	Phantom Ecru	911
	Phantom Charcoal	912
Grade 3	Charcoal Velvet Traceless	913
	Snow White Velvet Traceless	914

JÜV Wall Mount Accessory – Monitor Riser

Description	Part Number	List
Single LD (Light Duty 6–16 lbs)	JWA-SLD_____	\$374
Single HD (Heavy Duty 14–28 lbs)	JWA-SHD_____	\$374
Dual HD (Heavy Duty 14–28 lbs)	JWA-DHD_____	\$407

Features

- Integrated riser with vertical height adjustment that accommodates 1-2 monitors

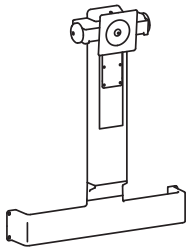
Specifications

- Single Light Duty Riser can accommodate 1 monitor weighing 6–16 lbs (2.7–7.2 kg)
- Single Heavy Duty Riser can accommodate 1 monitor weighing 14–28 lbs (6.3–12.7 kg)
- Dual Riser can accommodate 2 monitors weighing 14–28 lbs (6.3–12.7 kg)
- Monitor riser is specific to JÜV Wall Mount and is not interchangeable with JÜV Panel
- Includes universal VESA plate with quick attach bracket for easy install
- See Technical Specifications on page 7 for more details

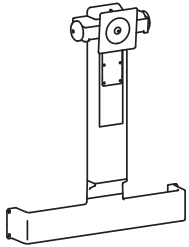
Color Options

Finish Code

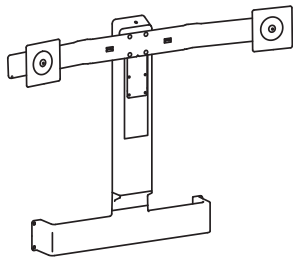
Graphite	029
Snow White	030



Single LD

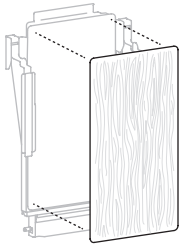


Single HD



Dual HD

JÜV Accessory – Insert



Description	Part Number
Accessory Insert	JA-INSERT-_____

Features

- Insert accessory adds aesthetic customization for JÜV Wall or Panel applications

Specifications

- Optional adhesive-backed HPL Laminate for permanent application to engine cover
- Aesthetic accessory
- Vertical laminate pattern runs vertically
- Special order: These items will be priced and ordered accordingly and will require a 3-piece minimum order; contact our Contract team for details

	Color Options	Vertical Laminate Finish Code
Grade 1	Steel Mesh	900
	Crisp Linen	901
	Manitoba Maple	906
Grade 2	Walnut Heights	905
	Phantom Cocoa	909
	Phantom Pearl	910
	Phantom Charcoal	912

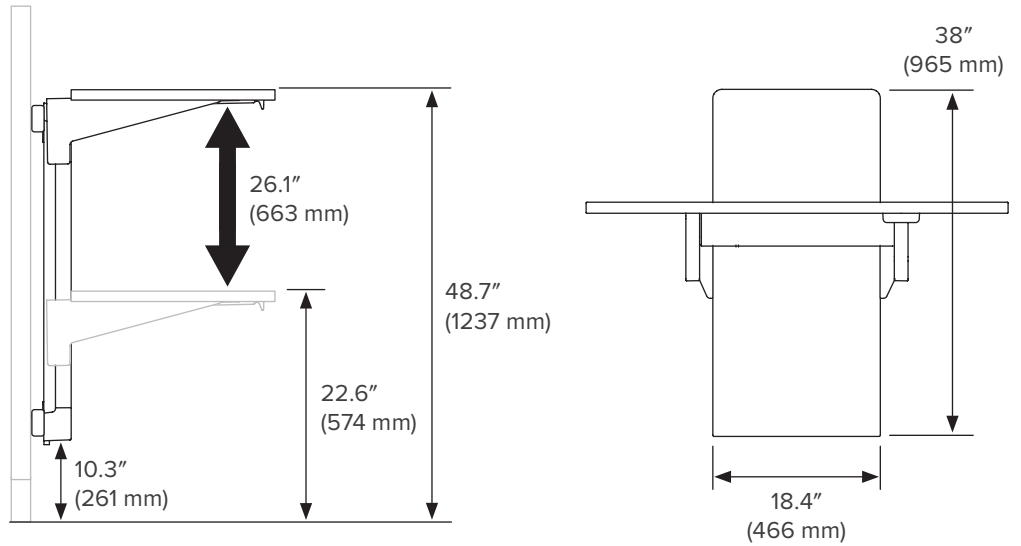
JUV Panel



JUV Panel Mount — Technical Specifications

Vertical Lift System

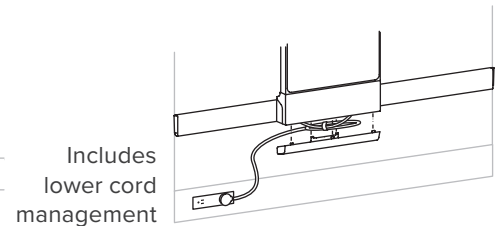
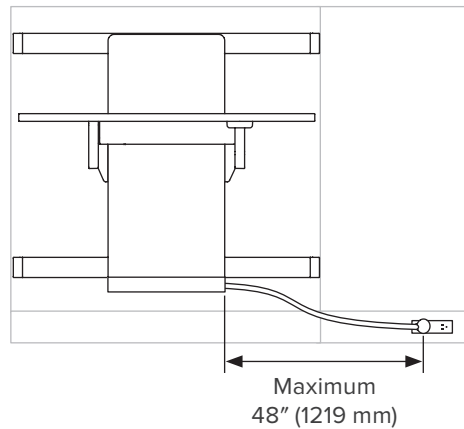
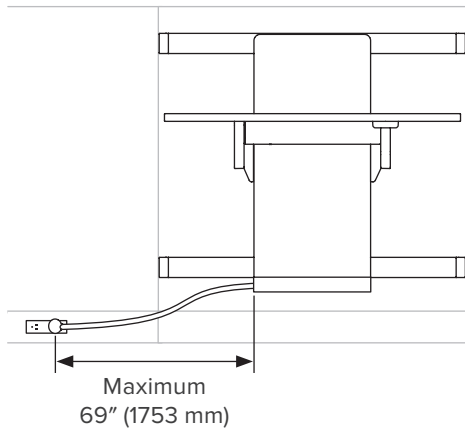
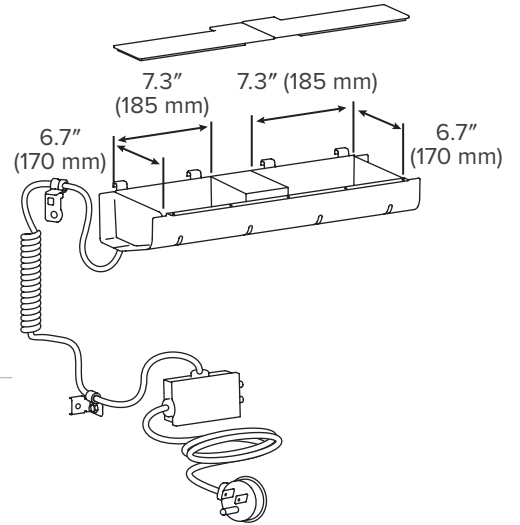
- Non-electric, adjustable worksurface provides full 26" (66 cm) BIFMA ergonomic range: 22.6–48.7" (57.4–123.7 cm)
- Constant Force™ technology for easy adjustment
- Surface supports up to 40 lbs (18.14 kg) for easiest lift experience



Power Options

- Integrated power and USB options with or without Ethernet access
- AC input: 120 v ~ 60 – Hz
- Max amps: 12A
- UL 962 certified power system

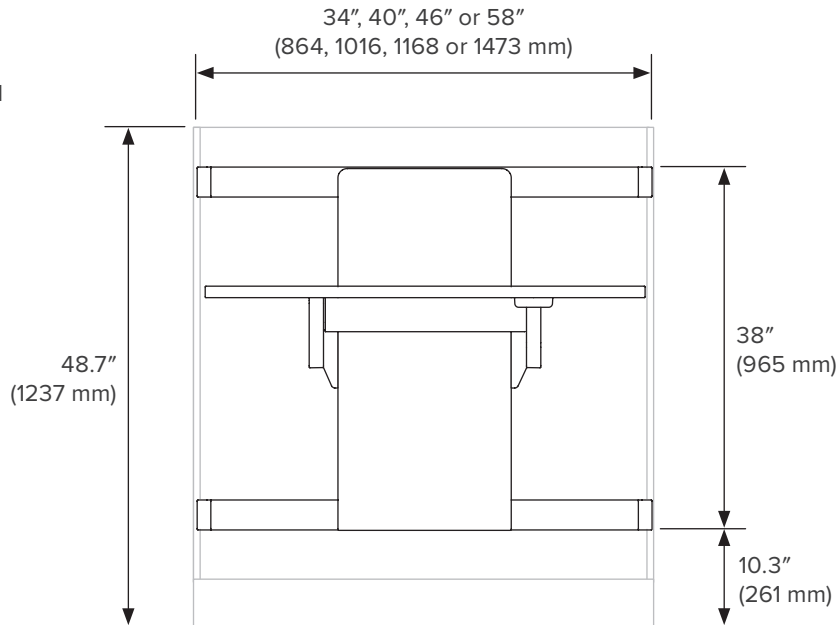
- Includes 3 AC outlets and 2 USB jacks
- Power cord provides access to outlets up to 69" (1753 mm) to the left and up to 48" (1219 mm) to the right
- When power is added, 1-piece cover changes to 2-piece removable cover



JÜV Panel Mount — Technical Specifications

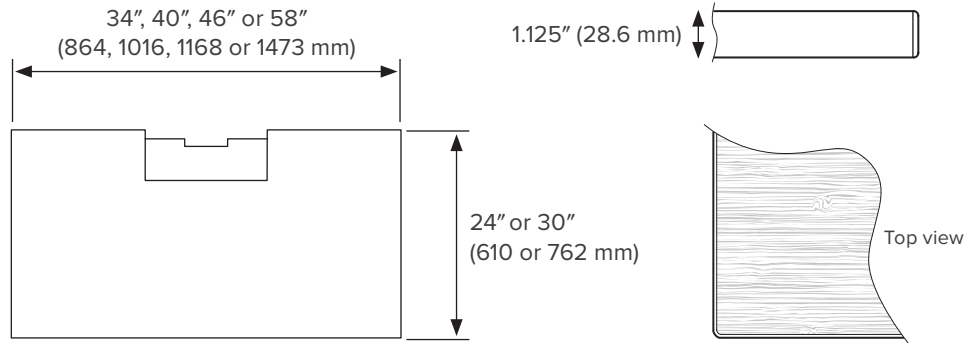
Mounting Kit

- User range based on mounting to a minimum panel height of 48" (1219.2 mm)
- Includes attachment hook brackets to mount to panel system
- Panel system must be specified when ordering
- JÜV Panel Mount is UL 1265 certified as an accessory on:
 - Haworth Compose (HC)
 - Herman Miller Canvas (MC)
 - Steelcase Answer (SA)
 - Allsteel Terrace (AT)



Worksurface

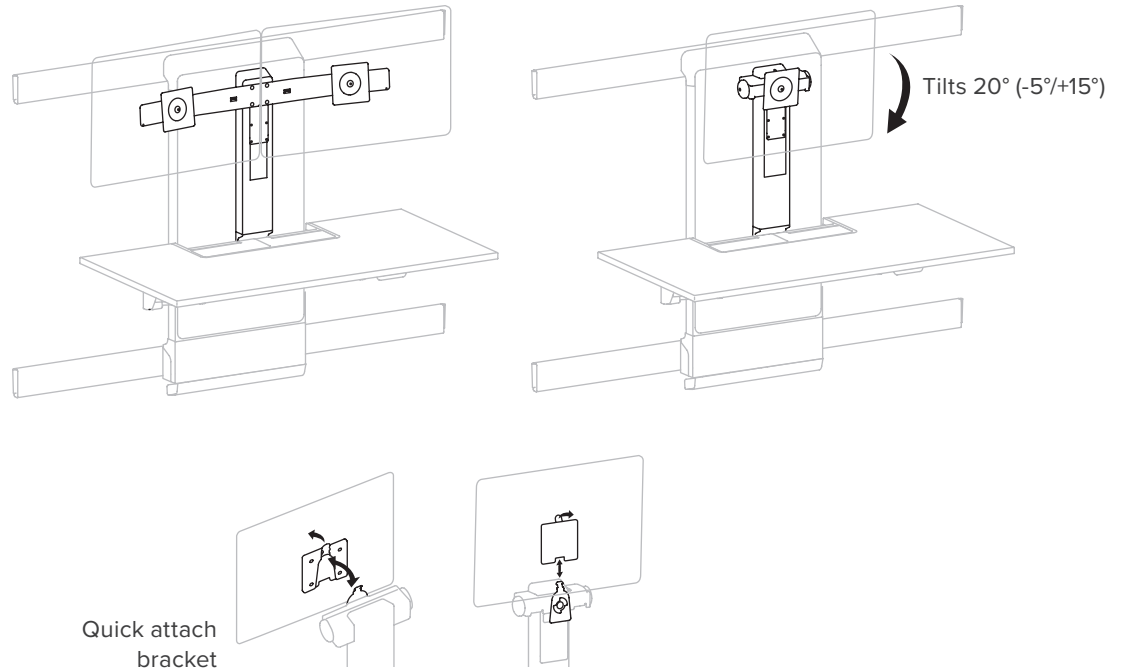
- 4 worksurface size options: 34", 40", 46" or 58" (864, 1016, 1168 or 1473 mm)
- Two depth size options: 24" (610 mm) or 30" (762 mm)
- Worksurface edge is 1.125" (28.6 mm) and includes 2 mm ABS edgeband
- Surface width is designed with 1" (25.4 mm) safety clearance on each side to eliminate pinch points during movement
- Total depth of the JÜV worksurface and mounting kit aligns with 24" (610 mm) and 30" (762 mm) deep worksurfaces



JUV Panel Mount — Technical Specifications

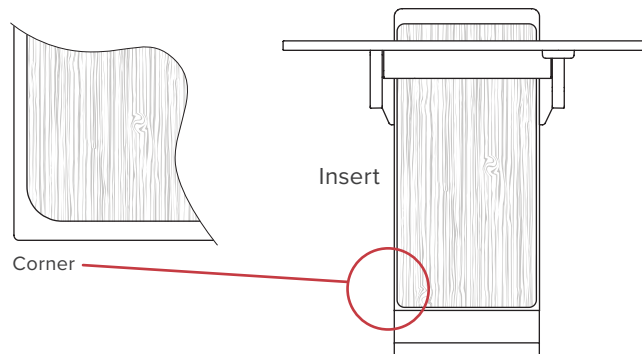
Riser Options

- Optional accessory
- Integrates single or dual monitors
- Dual riser accommodates up to two 27" monitors with quick attach bracket
- Single LD monitor riser:
6–16 lbs (2.7–7.2 kg)
- Single HD monitor riser:
14–28 lbs (6.3–12.7 kg)
- Dual monitor riser:
14–28 lbs (6.3–12.7 kg)
- Risers include 5" (13 cm) lift
- Single monitor tilts 20° (-5°/+15°)
- Includes universal VESA plate with quick attach bracket for easy install



Coming Soon: Insert Options

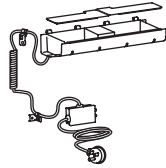
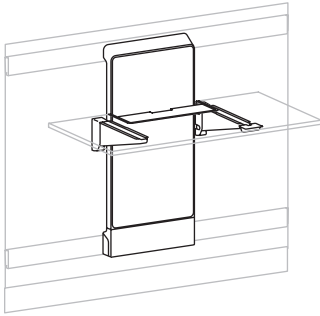
- Field-applied laminate accessory
- Includes adhesive backer
- Non-removable
- Woodgrain runs vertically



JÜV Panel Mount – Specification Guide

1. Specify the Engine

JPEC	P or N	LD or HD	----
JÜV Panel Engine with Constant Force™ technology	Add power with charging accessory P = Power/Charging Accessory N = No-Power/Charging Accessory	LD = Light Duty engine, up to 24 x 40" worksurface HD = Heavy Duty engine, 30 x 40" worksurface and larger	Trim Finish Code Graphite (029) Snow White (030)

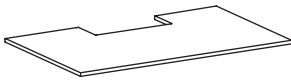


2. Specify the Mounting Kit

JPMK	-----	-----
JÜV Panel Mounting Kit	The first two dashes = Panel Width The second two dashes = Panel Manufacture ie: 36HC 36"W Haworth Compose	Trim Finish Code

3. Specify the Worksurface

JPW	--- ---	A	----
JÜV Panel Worksurface	Depth and Width	ABS Edgeband	Finish Code



4. Specify the Accessories (optional)*

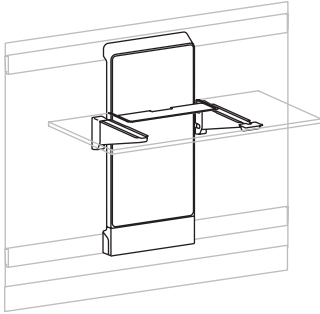
JA	INSERT	----
JÜV Accessories		Finish Code
JPA		----
JÜV Panel Accessories		Finish Code

*NOTE:

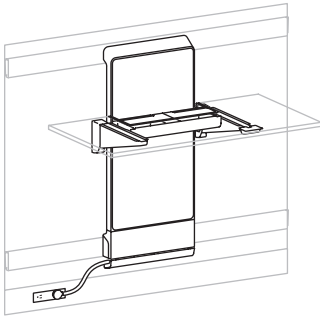
- JA Accessories can be used on JÜV Wall or Panel products
- JWA Accessories can be used only on JÜV Wall product

JUV Panel Mount – Lift Engine Non-Electric

Non-Power



Power



Description	Part Number	List
Without Power/Charging Accessory	JPEC-N-____	\$1,000
With Power/Charging Accessory	JPEC-P-____	\$1,245

Features

- Designed with Ergotron's non-electric patented Constant Force™ technology
- Power Accessory refers to electrical outlets at worksurface. Power is not needed to adjust the worksurface
- Powered accessory includes electrical assembly to attach to worksurface during installation
- Provides full 26" (66 cm) BIFMA ergonomic range: 22.6–48.7" (57.4–123.7 cm)
- Electrical assembly includes 3 outlets and 2 USB charging ports
- UL 962 certified power system

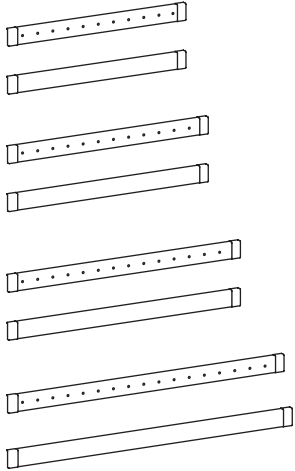
Specifications

- Lift engine comes with worksurface trim to accept separately specified 1.48" (37.6 mm) worksurface
- See Panel application guide for support and load application restrictions
- JUV Panel must be used on 48"H (1219 mm) or taller panels to achieve full BIFMA height range
- Requires separately specified mounting kit to mount to panel system.

Color Options	Trim Finish Code
Graphite	029
Snow White	030

JUV Panel Mount – Mounting Kit

Description	Part Number	List
Haworth Compose (HC):		
36" width panel kit	JPMK-36HC-___	\$350
42" width panel kit	JPMK-42HC-___	\$375
48" width panel kit	JPMK-48HC-___	\$400
60" width panel kit	JPMK-60HC-___	\$425
Haworth Unigroup (HU):		
36" width panel kit	JPMK-36HU-___	\$350
42" width panel kit	JPMK-42HU-___	\$375
48" width panel kit	JPMK-48HU-___	\$400
60" width panel kit	JPMK-60HU-___	\$425
Herman Miller Canvas (MC):		
36" width panel kit	JPMK-36MC-___	\$350
42" width panel kit	JPMK-42MC-___	\$375
48" width panel kit	JPMK-48MC-___	\$400
60" width panel kit	JPMK-60MC-___	\$425
Steelcase Answer (SA):		
36" width panel kit	JPMK-36SA-___	\$350
42" width panel kit	JPMK-42SA-___	\$375
48" width panel kit	JPMK-48SA-___	\$400
60" width panel kit	JPMK-60SA-___	\$425
Coming Soon: Steelcase Avenir (SV):		
36" width panel kit	JPMK-36SV-___	\$350
42" width panel kit	JPMK-42SV-___	\$375
48" width panel kit	JPMK-48SV-___	\$400
60" width panel kit	JPMK-60SV-___	\$425
Coming Soon: Knoll Dividends (KD):		
36" width panel kit	JPMK-36KD-___	\$350
42" width panel kit	JPMK-42KD-___	\$375
48" width panel kit	JPMK-48KD-___	\$400
60" width panel kit	JPMK-60KD-___	\$425
Allsteel Terrace (AT):		
36" width panel kit	JPMK-36AT-___	\$350
42" width panel kit	JPMK-42AT-___	\$375
48" width panel kit	JPMK-48AT-___	\$400
60" width panel kit	JPMK-60AT-___	\$425



Panel Systems:

Haworth Compose (HC)

Haworth Unigroup (HU)

Herman Miller Canvas (MC)

Steelcase Answer (SA)

Steelcase Avenir (SV)

Knoll Dividends (KD)

Allsteel Terrace (AT)

JUV Panel Mount – Mounting Kit Continued

Features

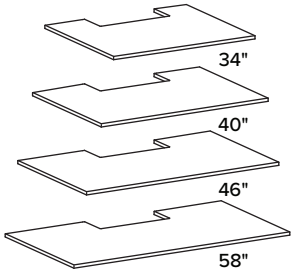
- Steel mounting kits include panel-specific hook brackets
- Engine can be installed on 3" (76.2 mm) increments along mounting kit
- JUV Panel Mount is UL 1265 certified as an accessory. Please see Technical specs for more information.

Specifications

- Specify appropriate surface size based on application
- Specify worksurface size to allow for 1" (25.4 cm) gap between next surface or panel
- Mounting kit to be specified to width of one or two panels
- Mounting kit can be converted to attach to various panel systems; contact our Contract team for details.

Color Options	Trim Finish Code
Graphite	029
Snow White	030

JÜV Panel Mount – Worksurface



Depth	Width	Part Number	Grade 1	Grade 2	Grade 3
24" (610 mm)	34" (863.6 mm)	JPW-2434-A-_____	\$235	\$260	\$410
24" (610 mm)	40" (1016 mm)	JPW-2440-A-_____	\$260	\$285	\$485
24" (610 mm)	46" (1168.4 mm)	JPW-2446-A-_____	\$270	\$295	\$495
24" (610 mm)	58" (1473.2 mm)	JPW-2458-A-_____	\$310	\$335	\$560
30" (762 mm)	34" (863.6 mm)	JPW-3034-A-_____	\$260	\$285	\$635
30" (762 mm)	40" (1016 mm)	JPW-3040-A-_____	\$285	\$335	\$735
30" (762 mm)	46" (1168.4 mm)	JPW-3046-A-_____	\$295	\$345	\$760
30" (762 mm)	58" (1473.2 mm)	JPW-3058-A-_____	\$395	\$445	\$910

Features

- TSCA compliant materials
- Designed to accept JÜV Accessory Power
- Worksurface is 1 1/8" (28.6 mm) thick high pressure laminate with 2 mm ABS edge band
- 58" (1473.2 mm) wide surfaces are designed with lightweight core material

Specifications

- Surface width is designed with 1" (25.4 cm) safety clearance on each side to eliminate pinch points during movement
- Total depth of the JÜV worksurface and mounting kit aligns with 24" (609.6 mm) and 30" (762 mm) deep worksurfaces

	Color Options	Laminate Code
Grade 1	Designer White	902
	Frosty White	903
	Linen	904
	Manitoba Maple	906
Grade 2	Walnut Heights	905
	Phantom Cocoa	909
	Phantom Pearl	910
	Phantom Ecru	911
	Phantom Charcoal	912
	Grade 3	Charcoal Velvet Traceless
Snow White Velvet Traceless		914

JÜV Panel Mount Accessory – Monitor Riser

Description	Part Number	List
Single LD (Light Duty 6–16 lbs)	JPA-SLD-_____	\$374
Single HD (Heavy Duty 14–28 lbs)	JPA-SHD-_____	\$374
Dual HD (Heavy Duty 14–28 lbs)	JPA-DHD-_____	\$418

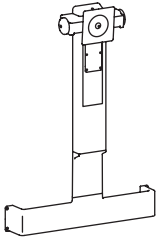
Features

- Integrated riser with vertical height adjustment that accommodates 1–2 monitors

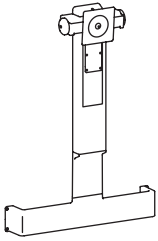
Specifications

- Single Light Duty Riser can accommodate 1 monitor weighing 6–16 lbs (2.7–7.2 kg)
- Single Heavy Duty Riser can accommodate 1 monitor weighing 14–28 lbs (6.3–12.7 kg)
- Dual Riser can accommodate 2 monitors weighing 14–28 lbs (6.3–12.7 kg)
- Monitor riser is specific to JÜV Panel Mount and is not interchangeable with JÜV Wall
- Includes universal VESA plate with quick attach bracket for easy install
- See Technical Specifications on page 14 for more details

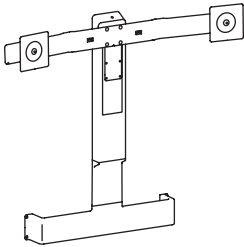
Color Options	Finish Code
Graphite	029
Snow White	030



Single LD

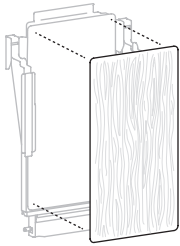


Single HD



Dual HD

JÜV Accessory – Insert



Description	Part Number
Accessory Insert	JA-INSERT-_____

Features

- Insert accessory adds aesthetic customization for JÜV Wall or Panel applications

Specifications

- Optional adhesive-backed HPL Laminate for permanent application to engine cover
- Aesthetic accessory
- Vertical laminate pattern runs vertically
- Special order: These items will be priced and ordered accordingly and will require a 3-piece minimum order; contact our Contract team for details

	Color Options	Vertical Laminate Finish Code
Grade 1	Steel Mesh	900
	Crisp Linen	901
	Manitoba Maple	906
Grade 2	Walnut Heights	905
	Phantom Cocoa	909
	Phantom Pearl	910
	Phantom Charcoal	912

Standard Terms & Conditions

Terms of Sale

“Products” means the select offering of products and spare parts and associated peripheral equipment listed in the Price Book that are sold exclusively through approved contract furniture dealers.

“Price Book” means the Contract Furniture Dealer product and price list, as amended from time to time by Company, prevailing at the time that Company accepts an order from dealer. Currently posted price books and terms replace any previously posted price books and terms.

The General Terms and Conditions (<https://www.ergotron.com/en-us/company/terms-and-conditions>) are incorporated herein by reference and are subject to change without notice, provided an updated version of the General Terms and Conditions will be posted on the Site. The General Terms and Conditions apply in addition to similar terms in these Order Terms and Conditions, and to the extent of any conflict between a term in this document and the order terms and the General Terms and Conditions, the terms herein will govern and prevail.

Prices and Taxes

Prices are those in effect at time of order submission and in United States dollars. The Dealer is responsible for any sales, use or any other local, state, provincial or federal taxes. Resale or exemption certificate must be submitted at time of order. All discounts, models and material specifications are subject to change without notice. Prices are subject to change upon 30 days notice. Dealer shall comply with any applicable Minimum Advertised Price Policy of Company.

Terms of Payment

Dealer must pay all amounts specified on any invoice within 30 days after the date of that invoice. Past due amounts are subject to service charges of 18% per annum (or the maximum amount permitted by law). Deposits may be required for large or special orders. All amounts due shall be paid in United States dollars. Dealer shall not make any deduction or offset of any kind from any payments due to without first receiving approval from Company.

Purchase Orders and Lead Times

All orders must be submitted in writing to orders@ergotron.com and must include the following details:

- *Bill to name*
- *Ship to name*
- *Bill to address*
- *Ship to address*
- *Telephone number*
- *Contact name*
- *Approved Ergotron Contract customer number*
- *Special pricing approval number (SDO#), if applicable*
- *Dealer PO number*
- *Requested delivery date (within standard lead times)*
- *Any special shipping instructions*
- *Product names, quantities, part numbers and approved discounts (if any)*

Product lead times are subject to change. Company will quote lead times on projects as requested based on the longest lead time item on an order. Split shipments should be requested on the purchase order. All shipping dates are estimated and are not guaranteed. All orders are subject to acceptance by Company.

Order Changes and Cancellations

All change requests or cancellations of orders must be submitted in writing to orders@ergotron.com. Notification of change/cancellation on in-stock items must be submitted within one (1) business day of order placement. Made-to-order order changes and cancellations must be made within five (5) business days of order placement. If received within these timeframes, order changes and cancellations will be made without penalty.

Returns

All returns must be authorized by Company prior to return and are subject to inspection and acceptance by Company. Any returns without proper authorization (RMA #) will not be accepted and will be returned to the Dealer at the Dealer's expense. No returns will be accepted on made-to-order products. Approved returns are subject to a 20% restocking fee (and costs of refurbishment, repair and repackaging) unless the product was approved for warranty replacement. Return freight and shipping will be the responsibility of the Dealer on all non-warranty returns.

Freight

A standard freight charge of \$50 will be applied to every order within the 48 contiguous United States. A freight charge of \$60 will be applied to every order shipping into Canada. All orders are shipped via standard ground service. Alaska, Hawaii, Caribbean, fly-in/remote locations, and any shipment with special delivery requirements (e.g., lift gate, inside delivery, etc.) will require additional charges to be quoted by Company.

Dealer may provide a third-party shipping account in lieu of Company quoted freight. Expedited shipping charges will be responsibility of the Dealer. Title transfers from Ergotron to the dealer upon delivery to common carrier. For all shipments of Products to a delivery location outside the United States custom territory, with the exception of Canada, Dealer shall act as the importer of record and shall be responsible for all customs clearance, duties, sales taxes, use taxes, withholding taxes, import and export taxes and any other similar taxes imposed by any federal, state, provincial or local government authority with respect to such shipment. In the event Company cannot recover any taxes or duties paid related to shipments to Canada, Dealer agrees to reimburse company for such amounts upon invoice.

Freight Claims

Company will file appropriate freight claims against third-party freight carriers provided that (i) damage is noted on the Bill of Lading at time of delivery, (ii) the Dealer notifies Company of any product damage within one (1) business day of delivery and (iii) the Dealer provides Company with photo documentation of all damage. Dealer is encouraged to deny shipment or portion of shipment if damage is detected at point of delivery.

Concealed Damage

If concealed damage is detected after delivery, Dealer must contact Company within 10 days from delivery date. Original packaging must be retained, and photo documentation must be submitted.

Storage

If customer is unable to accept product shipment at time of delivery and storage is necessary, Company will transfer product to storage at customer's risk and expense. All standard payment terms for order still apply.

Territory

“Territory” means and is limited to sales within the [United States / North America / Mexico / Canada]. Please contact Company for any territory-related questions or country-specific product terms.

Questions

All questions can be directed to the Company's dealer support at contract@ergotron.com or 1.855.365.6747 Monday through Thursday 8–6 p.m. CT and Friday 8–5 p.m. CT.

These terms and conditions are for reference only and do not replace any written agreements that guide the Ergotron-dealer relationship.

Index

Part Number	Description	Page	Part Number	Description	Page
JWEC-N-____	Wall Mount Lift Engine Non Power	9	JPW-2434-A-____	Panel Mount Worksurface 24"x34"	21
JWEC-P-____	Wall Mount Lift Engine Power	9	JPW-2440-A-____	Panel Mount Worksurface 24"x40"	21
JWW-2128-A-____	Wall Mount Worksurface 21"x28"	10	JPW-2446-A-____	Panel Mount Worksurface 24"x46"	21
JWW-2134-A-____	Wall Mount Worksurface 21"x34"	10	JPW-2458-A-____	Panel Mount Worksurface 24"x58"	21
JWW-2140-A-____	Wall Mount Worksurface 21"x40"	10	JPW-3034-A-____	Panel Mount Worksurface 30"x34"	21
JWW-2146-A-____	Wall Mount Worksurface 21"x46"	10	JPW-3040-A-____	Panel Mount Worksurface 30"x40"	21
JWW-2428-A-____	Wall Mount Worksurface 24"x28"	10	JPW-3046-A-____	Panel Mount Worksurface 30"x46"	21
JWW-2434-A-____	Wall Mount Worksurface 24"x34"	10	JPW-3058-A-____	Panel Mount Worksurface 30"x58"	21
JWW-2440-A-____	Wall Mount Worksurface 24"x40"	10	JPA-SLD-____	Wall Mount Accessory Single LD Monitor Riser	22
JWW-2446-A-____	Wall Mount Worksurface 24"x46"	10	JPA-SHD-____	Wall Mount Accessory Single HD Monitor Riser	22
JWA-SLD-____	Wall Mount Accessory Single LD Monitor Riser	11	JPA-DHD-____	Wall Mount Accessory Dual HD Monitor Riser	22
JWA-SHD-____	Wall Mount Accessory Single HD Monitor Riser	11	JA-INSERT-____	JÜV Accessory Insert	23
JWA-DHD-____	Wall Mount Accessory Dual HD Monitor Riser	11			
JA-INSERT-____	JÜV Accessory Insert	12			
JPEC-N-____	Panel Mount Lift Engine Non Power	18			
JPEC-P-____	Panel Mount Lift Engine Power	18			
JPMK-36HC-____	Panel Mount Mounting Kit 36" Haworth Compose	19			
JPMK-42HC-____	Panel Mount Mounting Kit 42" Haworth Compose	19			
JPMK-48HC-____	Panel Mount Mounting Kit 48" Haworth Compose	19			
JPMK-60HC-____	Panel Mount Mounting Kit 60" Haworth Compose	19			
JPMK-36HU-____	Panel Mount Mounting Kit 36" Haworth Unigroup	19			
JPMK-42HU-____	Panel Mount Mounting Kit 42" Haworth Unigroup	19			
JPMK-48HU-____	Panel Mount Mounting Kit 48" Haworth Unigroup	19			
JPMK-60HU-____	Panel Mount Mounting Kit 60" Haworth Unigroup	19			
JPMK-36MC-____	Panel Mount Mounting Kit 36" Herman Miller Canvas	19			
JPMK-42MC-____	Panel Mount Mounting Kit 42" Herman Miller Canvas	19			
JPMK-48MC-____	Panel Mount Mounting Kit 48" Herman Miller Canvas	19			
JPMK-60MC-____	Panel Mount Mounting Kit 60" Herman Miller Canvas	19			
JPMK-36SA-____	Panel Mount Mounting Kit 36" Steelcase Answer	19			
JPMK-42SA-____	Panel Mount Mounting Kit 42" Steelcase Answer	19			
JPMK-48SA-____	Panel Mount Mounting Kit 48" Steelcase Answer	19			
JPMK-60SA-____	Panel Mount Mounting Kit 60" Steelcase Answer	19			
JPMK-36SV-____	Panel Mount Mounting Kit 36" Steelcase Avenir	19			
JPMK-42SV-____	Panel Mount Mounting Kit 42" Steelcase Avenir	19			
JPMK-48SV-____	Panel Mount Mounting Kit 48" Steelcase Avenir	19			
JPMK-60SV-____	Panel Mount Mounting Kit 60" Steelcase Avenir	19			
JPMK-36KD-____	Panel Mount Mounting Kit 36" Knoll Dividends	19			
JPMK-42KD-____	Panel Mount Mounting Kit 42" Knoll Dividends	19			
JPMK-48KD-____	Panel Mount Mounting Kit 48" Knoll Dividends	19			
JPMK-60KD-____	Panel Mount Mounting Kit 60" Knoll Dividends	19			
JPMK-36AT-____	Panel Mount Mounting Kit 36" AllSteel Terrace	19			
JPMK-42AT-____	Panel Mount Mounting Kit 42" AllSteel Terrace	19			
JPMK-48AT-____	Panel Mount Mounting Kit 48" AllSteel Terrace	19			
JPMK-60AT-____	Panel Mount Mounting Kit 60" AllSteel Terrace	19			

Download additional resources at contract.ergotron.com.
For more information:
Ergotron Contract 1.855.365.6747 / contract@ergotron.com
© Ergotron, Inc. 11.30.2021

Literature made in the U.S.A.
Content subject to change.
Ergotron devices are not intended to cure, treat, mitigate or prevent any disease.
Patent information available at www.ergotron.com/patents.

ergotron[®]
CONTRACT