

North & South Carolina



**Pumps, Blowers
& Vacuum Pumps**

Instrumentation

Valves

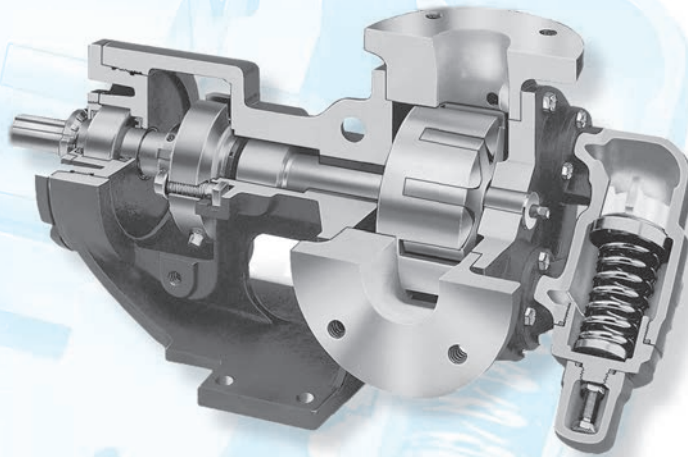
Steam, Air & Hydraulics

**Process Skids, Control Panels
& Services**

CAROTEK[®]

The Power of Solutions

Pumps, Blowers and Vacuum Pumps



Positive Displacement Pumps

- Internal/External Gear
- Rotary Lobe
- Mag Drive
- Progressing Cavity
- Sliding Vane
- Metering
- Peristaltic

Diaphragm Pumps

- Heavy Duty Ball Valve
- Heavy Duty Flap Valve
- Containment Duty
- Kynar
- Non-Metallic
- Metallic

Centrifugal Pumps

- End Suction
- ANSI
- Split Case
- Vertical Turbine
- Mag Drive
- TFE Lined Pumps
- Self Priming

Blowers

- Rotary Lobe
- Helical Screw
- Side Channel
- Complete Packages

Vacuum Pumps

- Liquid Ring
- Helical Screw
- Radial
- Side Channel
- Claw
- Complete Packages

Heat Exchangers

- Shell & Tube
- Plate & Frame
- Brazed Plate



CAROTEK SEAL POT SYSTEMS

Seal Pots provide barrier fluid for double mechanical seals to prevent process fluid leaks into the atmosphere. Carotek offers standard and custom built ANSI/API Plan 52/53 Mechanical Seal Pot Systems for applications where atmospheric leaks from mechanical seals can be costly, an environmental risk or a safety hazard.

Visit carotek.com/seal-pots for more information.

**VIKING
PUMP**

SANDPIPER
A WARREN RUPP, INC. BRAND

**PEERLESS
PUMP**

SULZER
Process Pumps

**PumpWorks™
INDUSTRIAL**

GRUNDFOS

PULSAFEEDER
ENGINEERED PRODUCTS

ESCO

wright flow
TECHNOLOGIES

OFPL
FLOTRONIC®
ONE-NUT PUMPS

GD Sutorbilt

GD DuroFlow

GD GARDNER DENVER
CycloBlower

**Elmo
Rietschle**

Eclipse
Series

Standard Xchange
a xylem brand

CORKEN

**Roto™
Ultra**

Instrumentation



Endress+Hauser 
People for Process Automation






PROTECTING YOUR PROCESS

Eurotherm
by Schneider Electric

K-PATENTS
PROCESS INSTRUMENTS



Flow

- Electromagnetic
- Coriolis
- Thermal Mass
- Ultrasonic
- Vortex
- Differential
- Turbine

Level

- Vibration
- Capacitance
- Conductance
- Radar
- Ultrasonic
- Nuclear
- Magnetic Level Gauge

Pressure Temperature

Analysis

- pH
- Conductivity
- Chlorine
- Dissolved Oxygen
- Turbidity
- Optical
- Water/Waste

Gas Analysis

- O2 Analyzers
- Multigas Monitoring

Humidity/Dewpoint

Density/Concentration

- Refractometers

Interface Solutions

- Isolation Barriers
- Bebcos Purge Systems
- Signal Conditioning
- HMI Display
- Barcode Scanners
- Fieldbus

Controllers/Data Acquisition

- Single Loop Controllers
- Multi-Loop Controllers
- SCR Power Controllers
- Paperless Recorders
- Digital Indicators
- Energy Computers

Gas Detection Systems

- Gas & Flame Detection
- Wireless Systems
- Controllers

Steam Water Analysis Panels

- Real time analysis of Steam & Water
- Protect Boilers & Steam Systems
- pH, Conductivity, DO & more

Gauges/Switches

- Pressure
- Vacuum
- Temperature
- Chemical Seals

Heat Trace Solutions

- Self-Regulating
- Constant Wattage
- Power Limiting
- Steam Trace
- Tubing Bundles
- Heat Transfer Compound

Wireless Solutions

- Predictive Maintenance
- Conduit and Wire Replacement
- Remote Location Monitoring
- No Cables, Cord sets or External Power

Instrumentation Test & Calibration Equipment

- Hart® Communicators
- Manometers

Spectroscopy Analyzers

- Fiber Optic Raman Spectrometers
Fast, quantitative analysis
Solids, Liquids and Gases
- UV, Visible, Near IR Liquid
Photometers

Valves



Ball Valves

- General Purpose
- Soft Seated
- Metal Seated
- TFE Lined
- High Alloys
- Trunnion
- Multiport
- V-Port
- Sanitary
- High Purity

Plug Valves

- Sleeved
- TFE Lined
- High Alloys
- Eccentric
- AWWA
- Multiport

Butterfly Valves

- Resilient Seated
- TFE Lined
- High Performance
- Metal Seated
- Triple Offset
- AWWA
- High Alloys

Linear Valves

- Knife Gate
- Gates & Globes
- Y-Pattern
- Pressure Seal
- Angle Body Piston
- Diaphragm

Solenoid Valves

- 2-Way, 3-Way & 4-Way
- Red Hat II & Nextgen
- Combustion
- Dust Collector/Pulse
- Steam/Hot Water
- Pneumatic/Joucomatic
- Air Filter Regulators
- Manifolds

Check Valves

- Swing
- Wafer
- Ball
- TFE Lined
- Piston
- In-Line

Specialty Valves

- Globe Control Valves
- Severe Service Control Valves
- Diaphragm/Sanitary Diaphragm
- Line Blinds
- Wash Down Stations
- Sample & Drain Valves
- Pressure Relief Valves
- Titanium & Hastelloy C



CAROTEK VALVE AUTOMATION CENTER

All valve packages are completely assembled, functionally tested, quality checked and serialized prior to shipment. Services include rotary and linear valve automation for On/Off and modulating service, "Smart" positioner configuration, retrofit kits from automation of existing valves in the field.

Visit Carotek.com/services for more information.



Atomac Valves

Automax Valve Automation Systems

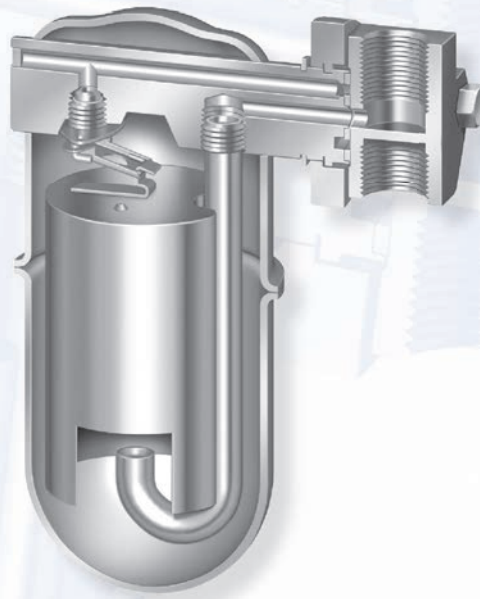
Durco Valves

Kammer Control Valves

Valtek Control Products



Steam, Air & Hydronics



Steam Traps

- Inverted Bucket
- Float & Thermostatic
- Thermodynamic/Disc
- Thermostatic
- Universal Trap Mounts
- Trap Valve Station
- Wireless Steam Trap Monitors

Pumps

- Pressure Booster Packages
- Boiler Feed
- High Efficiency Smart Circulators
- NSF50 Certified
- NSF61 Certified
- Elevator Sump Packages
- Oil Detection Controls
- Wastewater

Condensate Recovery

- Pressure Powered Pumps
- Electric Condensate Packages
- Steam Powered Condensate Packages
- Flash Recovery Systems

Valves

- Pressure Reducing
- Custom Fabricated Pressure Reducing Stations
- Pressure Relief
- Temperature Regulating
- Globe and Rotary Control
- Hydronic Balancing
- Triple Duty

Hot Water

- Instantaneous Digital Hot Water Packages
- Digital Mixing Valves
- Direct Steam Mixing Valves
- Steam/Hot Water Hose Stations
- Instantaneous Gas Fired Water Packages
- Digital Water to Water Packages
- Hydronic Heating Packages

Coils

- Heavy Duty All Welded
- Plate Fin
- Face & Bypass
- Unit Heaters
- Tank Heaters

Steam Specialties

- Strainers
- Separators

- Air Vents
- Vacuum Breakers
- Manifolds

Filtration Solutions

- Culinary Steam
- Simplex/Duplex Strainers
- Industrial Air
- Sterile Air
- Tank Venting
- Sanitary Liquid Filtration
- Automated Strainer Solutions

Flowmeters

- Steam, Air & Gas
- Boiler Feedwater & Condensate
- Chilled Water
- Domestic & Heating Hot Water
- Flow Computers
- BAS Interfaces
- Flow Computers

Hydronic Specialties

- Thermal Expansion Tanks
- Air Separators
- Hydronic Shock Suppressors
- Non-intrusive Control of Limescale and Biological Growth
- Liquid Drainers



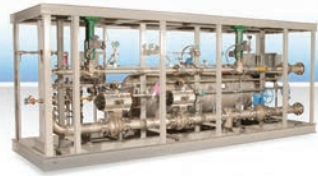
Steam, Air & Hydraulics	Municipal	Instrumentation	Valves	Pumps, Blowers & Vacuum Pumps
<ul style="list-style-type: none"> • Armstrong • Amtrol • Grundfos/PACO • Deltech • Ashcroft • Endress+Hauser • DeZurik • Veris • Velan • ASCO • DFT, Inc. • Donaldson • SEewater 	<ul style="list-style-type: none"> • DeZurik / APCO • EIM • Kinetrol • Trumbull • ASCO • Endress+Hauser • Ashcroft • Smith & Loveless • Gardner-Denver • Syneco • HydroVision • Pulsafeeder Engineered Products 	<ul style="list-style-type: none"> • Endress + Hauser • Thermon • Ashcroft • Pepperl + Fuchs • Eurotherm • K-Patents • Action • Gems • Meriam • Banner Wireless • Buckeye • Kaiser • Michell Instruments 	<ul style="list-style-type: none"> • DeZurik • ASCO • Flowserve • Velan • SVF • Inline • Deltech • QTRCO • DFT • Strahman • Tretter • Gemu 	<ul style="list-style-type: none"> • Viking • Sandpiper • Peerless • Sulzer • Pumpworks • Esco • Pulsafeeder • Wright flow • Flotronic • Elmo Rietschle • Gardner Denver • Sutorbilt • Duroflow • Standard Xchange

Disclaimer: Some products listed are restricted by territory.

SKID PACKAGES AND CONTROL PANELS

Mechanical Process Skids

- Piping design, equipment selection, fabrication
- ProE, CADworx 3D modeling documentation
- ASME section IIIIV & IX welding
- QC program & NDE documentation



Seal Pots

- ANSI, API seal pot plans
- U, UM stamp
- Seals support systems



Custom Control Panels

- UL/CSA
- Control panel design, fabrication and documentation
- PLC integration, programming
- Control system start up assistance



CAROTEK SERVICE, REPAIR AND TRAINING

Field Services

- Accredited Calibration Service
- Increases "up-time"
- Service all brands of instruments on site.
- NIST Traceable Calibration
- Service Contracts and 24-Hour Emergency Service available



Pumps and Blowers

- Specializing in Vertical Turbine, Split Case, Internal Gear, ANSI and Progressive Cavity Pumps
- Over 40 Years Service Experience in Positive Displacement Rotary Lobe Blowers

Valve Automation

- Assemblies are functionally tested prior to shipment
- Assemblies are serialized and tagged for traceability
- All units are inspected & verified via QA check-out form



Process Training

- Fully functional Process Plant
- Hands-on training for Instrumentation and Process Equipment Technologies
- Custom training classes available

