



NORTH STARTM
WATER TREATMENT SYSTEMS

REPAIR PARTS LIST

CURRENT PRODUCTION WATER SOFTENERS, FILTERS and RO SYSTEMS

This North Star Repair Parts List supersedes and obsoletes all other such books previously published.

All part numbers are subject to change without notice.

For models not listed herein, please call North Star at 1-800-972-0135 for more information.



Designed, Engineered &
Assembled in the U.S.A.

North Star Water Treatment Systems
1890 Woodlane Drive
Woodbury, MN 55125

Part No. 7175377 (Rev. 1/10/18)



NORTH STAR[™]
WATER TREATMENT SYSTEMS



TABLE OF CONTENTS

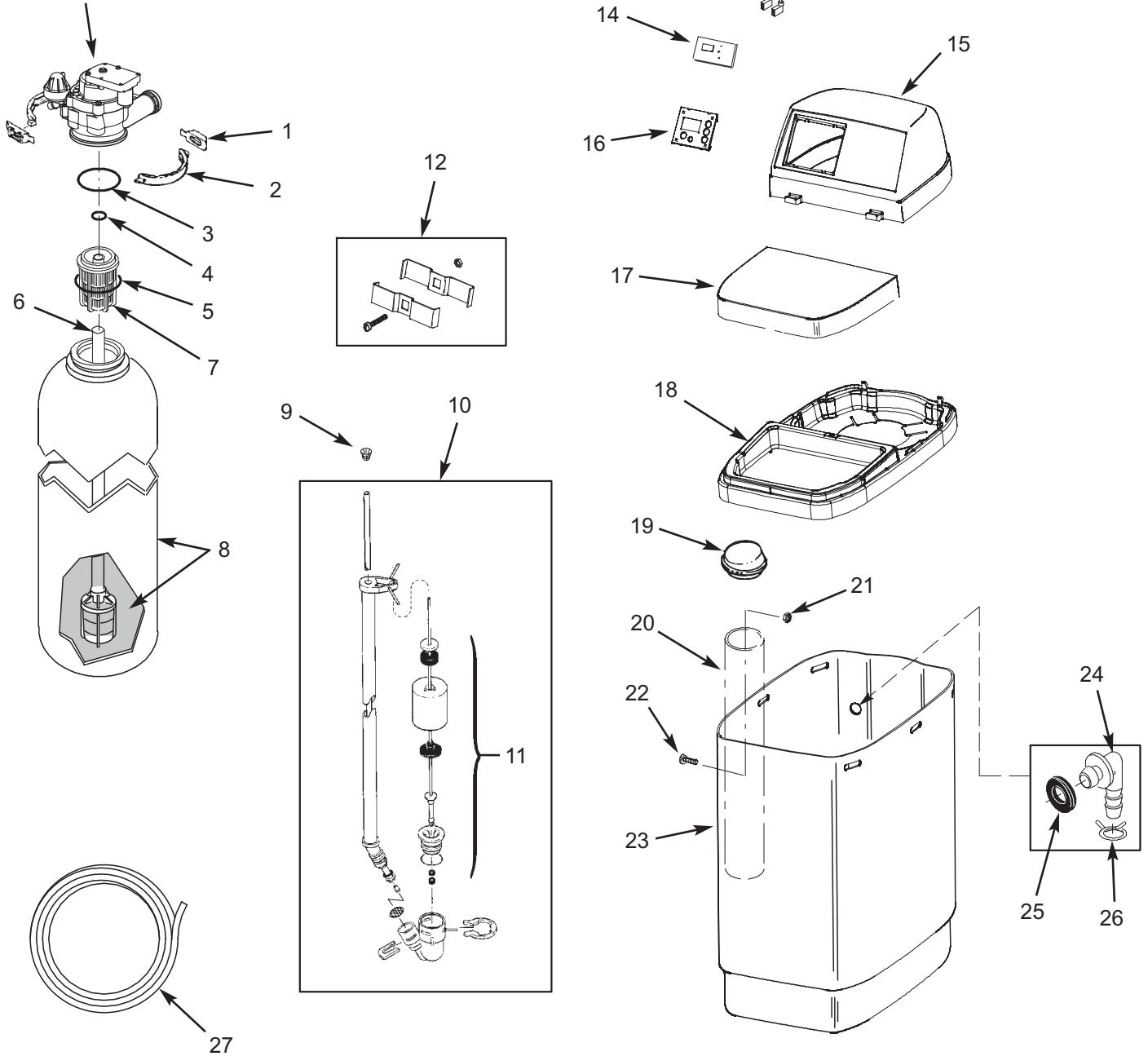
	<u>page</u>
Water Softeners	
NSC15ED, NSR17CS, NSC25ED, NST25ED, NSC30UD, NST30ED, NST30UD, NSC30UD1, NSC40UD1, NST45ED1, NST45UD1, NST70ED1 & NST70UD1	4-11
Water Filters	
NSCCTOSSA, NSSFSSA, NSANSSA, NSTOFSSA, NSAPFSSA & NSAPFXLA	12-15
Air Inject Iron Filter - NSAIIF2	16-19
Anti-Scale Filters	
NSAS 2500, NSAS 4500 & NSAS 6500	20
NSSM10 & NSSM10C	21
Sediment Filter - NSSFS10	22
Air Aspirated Chemical-Free Iron Filter	
NSAIV-10, NSAIV-12 & NSEIV-10	23-25
Central Water Filtration Systems	
EPWHCW & NSWHCW	26-29
Reverse Osmosis System - NSRO42C4	30-31
Automatic Sediment Filters	
EP-ASF1	32
EP-ASF15 & NSASF100	33
Full Flow Water Filtration System - NSDW300	34
Undersink Drinking Water Filter - NSDW500	35
Whole Home Water Filters - NS200, NSV200T, & NS900	36
Stainless Steel Whole Home Water Filters - NSSS10 & NSSS20	36



REPAIR PARTS LIST

WATER SOFTENERS - NSC15ED & NSR17CS (Refiner)

Valve Assembly
See Pages 8 & 9





REPAIR PARTS LIST

WATER SOFTENERS - NSC15ED & NSR17CS (Refiner)

Key No.	Part No.	Description
-	7331177	Tank Neck Clamp Kit (includes Key Nos. 1 & 2)
1	↑	Retainer Clip (2 req.)
2	↑	Clamp Section (2 req.)
-	7112963	Distributor O-Ring Kit (includes Key Nos. 3-5)
3	↑	O-Ring, 2-7/8" x 3-1/4"
4	↑	O-Ring, 13/16" x 1-1/16"
5	↑	O-Ring, 2-3/4" x 3"
6	7105047	Repl. Bottom Distributor
7	7077870	Top Distributor
8	7264037	Repl. Resin Tank, 8" dia. x 25", NSC15ED
	7343857	Filled Media Tank, 9" dia. x 35", ❶ NSC17CS
9	7171349	Screen
10	7310163	Brine Valve Assembly, NSC15ED
	7320202	Brine Valve Assembly, NSR17CS
11	7293395	Float, Stem & Guide Assembly, NSC15ED
	7327568	Float, Stem & Guide Assembly, NSR17CS
12	7248706	Ground Clamp Kit
13	7351054	Power Supply, 24V DC

■ Not illustrated

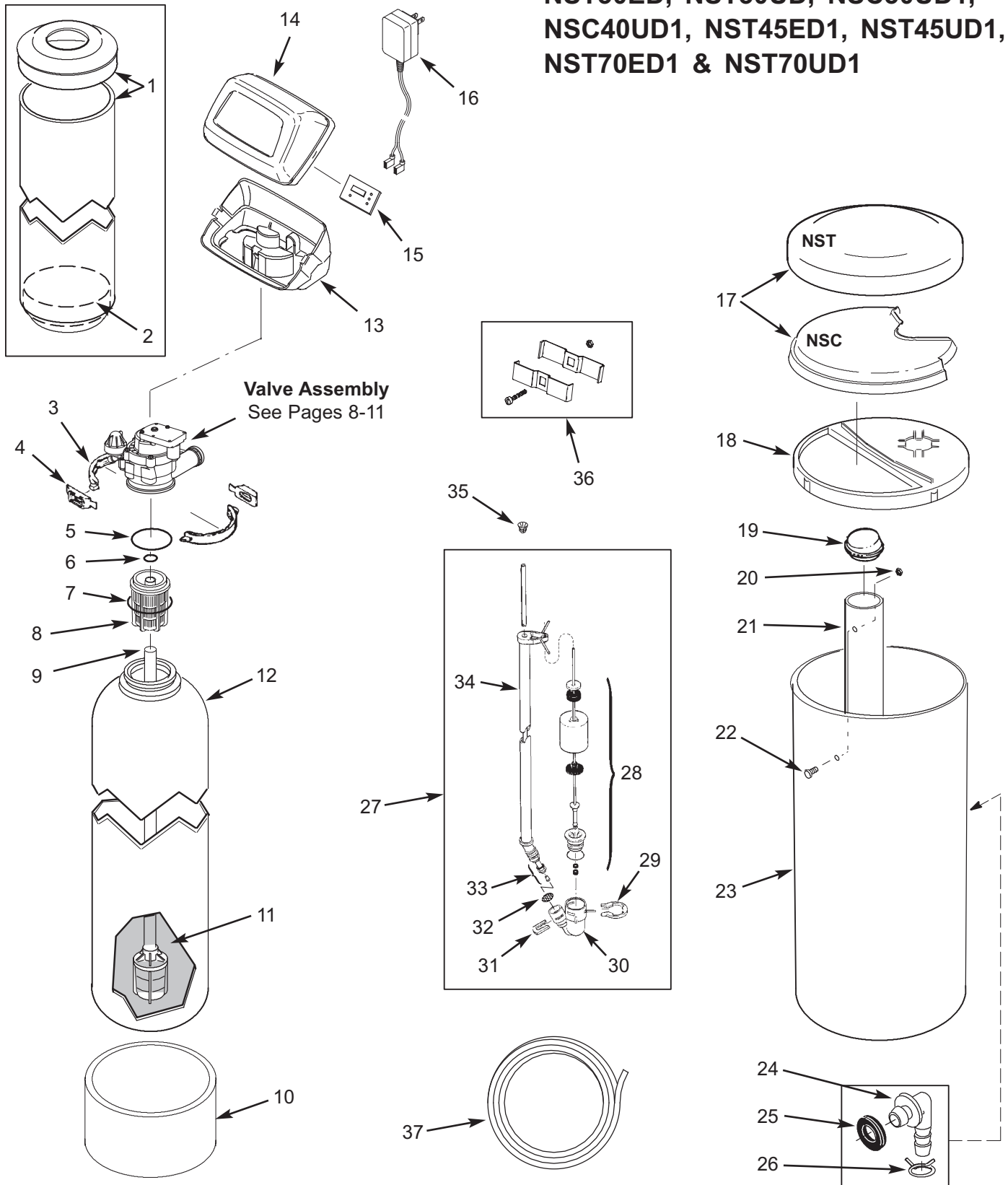
❶ Filled media tank for refiner includes activated carbon, resin, top and bottom distributors, associated o-rings, neck clamp kit and shipping cap, assembled.

Key No.	Part No.	Description
14	7309358	Repl. Electronic Control Board (PWA), NSC15ED
	7309366	Repl. Electronic Control Board (PWA), NSR17CS
15	7266746	Top Cover (order decal below)
■	7269794	Faceplate Decal, NSC15ED
	7346774	Faceplate Decal, NSR17CS
16	7266754	Control Panel, NSC15ED
	7267417	Control Panel, NSR17CS
17	7201398	Salt Lid
18	7266762	Rim, NSC15ED
	7344104	Rim, NSR17CS
19	7155115	Cover, Brinewell
20	7263099	Brinewell, NSC15ED
	7109871	Brinewell, NSR17CS
-	7331648	Brinewell Mounting Hardware Kit (includes Key Nos. 21 & 22)
21	↑	Wing Nut, 1/4-20
22	↑	Screw, 1/4-20 x 5/8"
23	7270737	Repl. Brine Tank, NSC15ED
	7270745	Repl. Brine Tank, NSR17CS
-	7331258	Overflow Hose Adaptor Kit (includes Key Nos. 24-26)
24	↑	Adaptor Elbow
25	↑	Grommet
26	↑	Hose Clamp
27	7139999	Drain Hose, 20 ft.



REPAIR PARTS LIST

WATER SOFTENERS - NSC25ED, NST25ED, NSC30UD, NST30ED, NST30UD, NSC30UD1, NSC40UD1, NST45ED1, NST45UD1, NST70ED1 & NST70UD1





REPAIR PARTS LIST

WATER SOFTENERS - NSC25ED, NST25ED, NSC30UD, NST30ED, NST30UD, NSC30UD1, NSC40UD1, NST45ED1, NST45UD1, NST70ED1 & NST70UD1

Key No.	Part No.	Description
1	7112971	Shroud, 8", 9" & 10" Tanks, NST-25ED, NST30UD & NST45UD1
	7246649	Shroud, 12", NST70UD1
2	7026196	Base, 8", 9" & 10" Tanks, NST-25ED, NST30UD & NST45UD1
	7141205	Base, 12", NST70UD1
3	7176292	Clamp Section (2 req.)
4	7088033	Retainer, Clamp (2 req.)
-	7112963	O-Ring Seal Kit, incl. Key Nos. 5-7
5	↑	O-Ring, 2-7/8" x 3-1/4"
6	↑	O-Ring, 13/16" x 1-1/16"
7	↑	O-Ring, 2-3/4" x 3"
8	7077870	Top Distributor
9	7105047	Repl. Bottom Distributor
10	1183000	Tank Foot, 8", NST30ED
	7302039	Tank Foot, 10", NST45ED1
	7339222	Tank Foot, 12", NST70ED1
11	0502272	Resin, 1 cu. ft. (standard mesh)
12	7113058	Resin Tank, 8" x 40", 25ED, 30ED & 30UD
	7161849	Resin Tank, 9" x 40", 30UD1 & 40UD1
	7247996	Resin Tank, 10" x 40", 45ED1 & 45UD1
	7113074	Resin Tank, 12" x 54", 70ED1 & 70UD1
13	7180314	Bottom Cover, 3/4" Valve Models
	7189449	Bottom Cover, 1" Valve Models
14	7180291	Faceplate Cover, ED (order following decal), 3/4" Valve Models
	7267344	Decal, ED
	7260554	Faceplate Cover, ED1 (order following decal), 3/4" Valve Models
	7366083	Decal, ED1
	7198032	Faceplate Cover, UD (order following decal), 3/4" Valve Models
	7267352	Decal, UD
	7174868	Faceplate Cover, UD1 (order following decal), 1" Valve Models
7267360	Decal, UD1	
15	7269079	Control Board (PWA), ED, with 6 pin Wiring Harness, AC Models
	7285601	Control Board (PWA), ED, without 6 pin Wiring Harness, AC Models
	7309358	Control Bd. (PWA), ED / ED1, DC
	7285619	Control Bd. (PWA), UD, 3/4", AC
	7285627	Control Bd. (PWA), UD1, 1", AC
	7309366	Control Bd. (PWA), UD / UD1, DC

Key No.	Part No.	Description
16	7351054	Power Supply, 24V DC
■	7275907	Transformer, 24V AC, 10VA ①
17	7192785	Salt Cover, NSC Models
	7180437	Brine Tank Cover, NST Models
18	7178626	Rim, NSC Models
19	7155115	Cover, Brinewell
20	7082150	Wing Nut, 1/4-20
21	7109871	Brinewell
22	7148875	Screw, 1/4-20 Nylon
23	7161831	Repl. Brine Tank, NSC Models
	7112612	Repl. Brine Tank, NST Models
24	1103200	Hose Adaptor
25	9003500	Grommet
26	0900431	Hose Clamp
27	7310197	Brine Valve Asm., NSC25ED, NST25ED, NSC30UD, NST30ED & NST30UD
	7310210	Brine Valve Assembly, NSC30UD1, NSC40UD1, NST45ED1, NST45UD1, NST70ED1 & NST70UD1
28	7113008	Float, Stem & Guide Assembly, NSC25ED, NST25ED, NSC30UD, NST30ED & NST30UD
	7327568	Float, Stem & Guide Asm., NSC30UD1, NSC40UD1, NST45ED1, NST45UD1, NST70ED1 & NST70UD1
29	7116713	Clip
30	7308881	Brine Valve Body
31	7142942	Clip
32	7131365	Screen
33	7113016	Tubing Assembly
34	7095470	Brine Tube, NSC25ED, NST25ED, NSC30UD, NST30ED & NST30UD
	7221746	Brine Tube, NSC30UD1, NSC40UD1, NST45ED1, NST45UD1, NST70ED1 & NST70UD1
35	7171349	Screen
36	7248706	Ground Clamp Kit
37	7139999	Drain Hose, 20 ft.

■ Not illustrated.

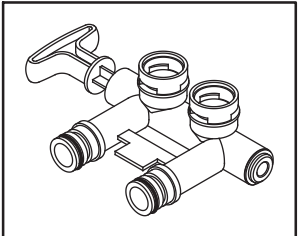
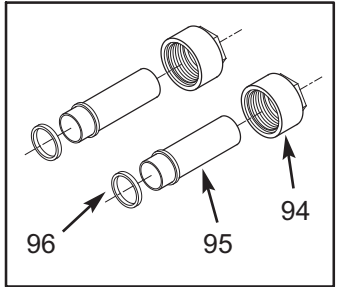
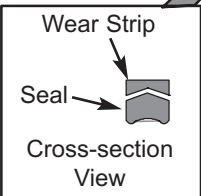
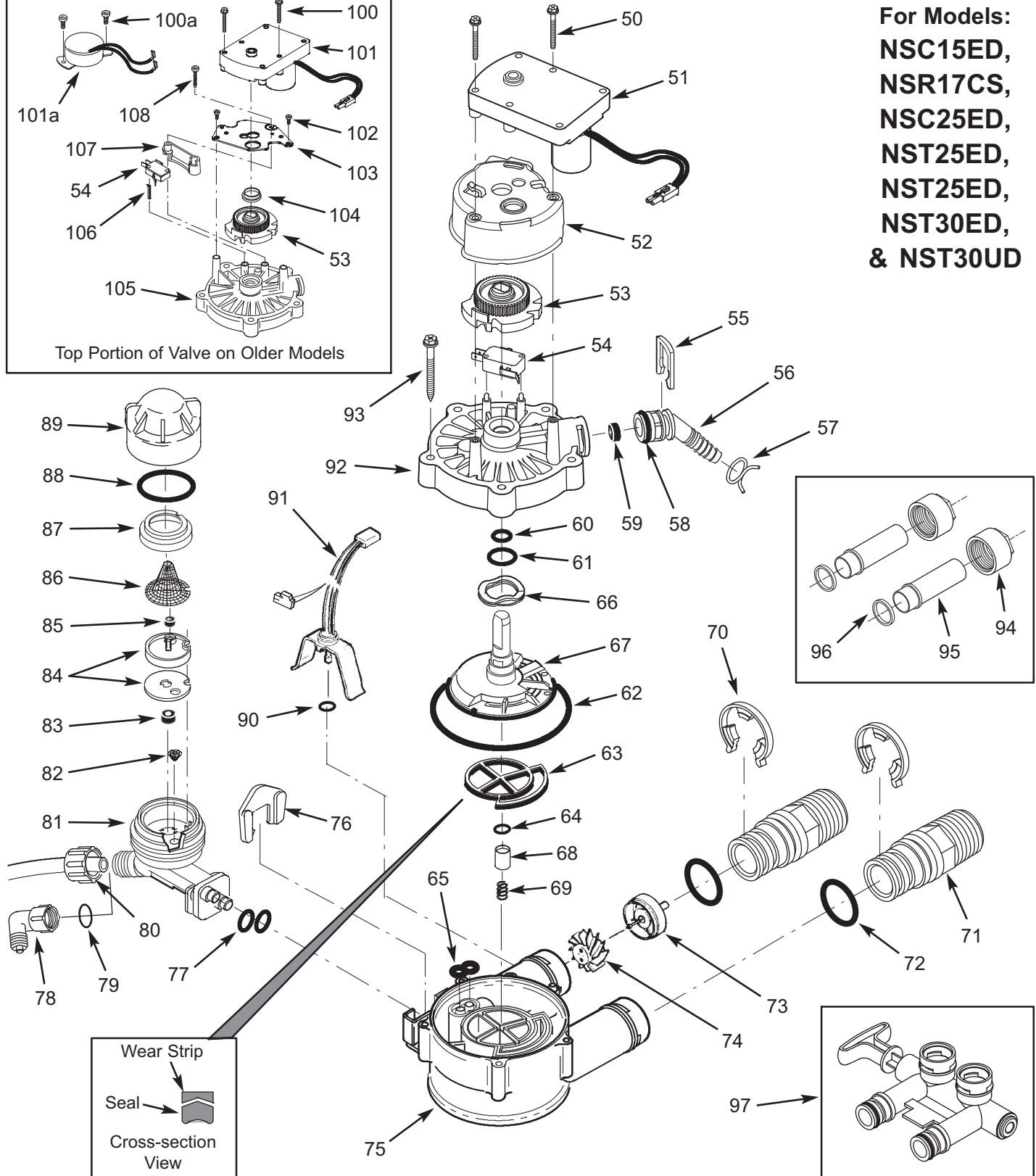
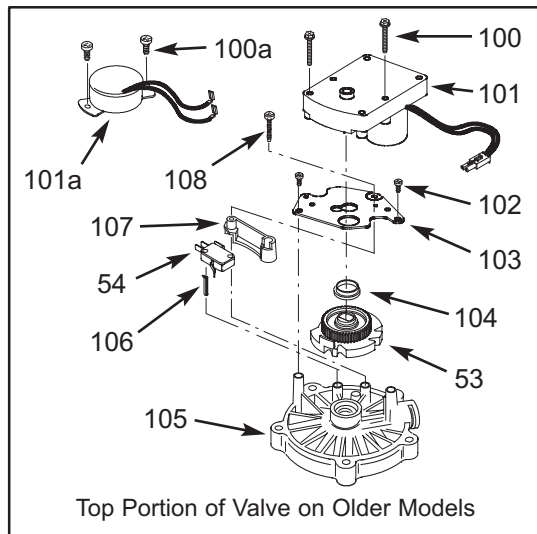
① Use AC transformer on units built before Nov. 20, 2010.



REPAIR PARTS LIST

WATER SOFTENERS - 3/4" Valve

For Models:
NSC15ED,
NSR17CS,
NSC25ED,
NST25ED,
NST25ED,
NST30ED,
& NST30UD





REPAIR PARTS LIST

WATER SOFTENERS - 3/4" Valve

Key No.	Part No.	Description
50	7338111	Screw, #6-19 x 1-3/8" (2 req.)
51	7281291	Motor
52	7337474	Motor Mount
53	7284964	Cam & Gear
54	7030713	Switch
55	7142942	Clip, Drain
56	7024160	Adapter, Drain Hose
57	0900431	Tubing Clamp
58	7170327	O-Ring, 5/8" x 13/16"
59	0501228	Flow Plug
-	7129716	Seal Kit, includes Key Nos. 60 - 65
60	↑	O-Ring, 7/16" x 5/8"
61	↑	O-Ring, 3/4" x 15/16"
62	↑	O-Ring, 3-3/8" x 3-5/8"
63	↑	Rotor Seal
64	↑	O-Ring, 3/8" x 9/16"
65	↑	Seal, Nozzle & Venturi
66	7082087	Wave Washer
67	7199232	Rotor & Disc
68	7092642	Plug, Drain Seal
69	7129889	Spring
70	7116713	Clip, 3/4", single (2 req.)
	7336397	Clip, 3/4", pack of 20
71	7278442	Installation Adaptor, 3/4", single (2 req.)
	7336606	Installation Adaptor, 3/4", pack of 10
72	7170288	O-Ring, 15/16" x 1-3/16", single (2 req.)
	7336402	O-Ring, 15/16" x 1-3/16", pack of 20
-	7113040	Turbine & Support Assembly
73	↑	Support, Turbine
74	↑	Turbine
75	7082053	Valve Body
76	7081201	Retainer
77	7170319	O-Ring, 1/4" x 3/8" (2 req.)
78	7120526	Elbow, NSC15ED & NSR17CS
79	7292323	O-Ring, 3/16" x 7/16", NSC15ED & NSR17CS
80	1202600	Nut - Ferrule

Key No.	Part No.	Description
■	7238450	Nozzle & Venturi Assembly, incl. Key Nos. 81 - 89
81	7081104	Housing, Nozzle & Venturi
82	7095030	Cone Screen
83	1148800	Fill Flow Plug, .3 gpm
84	7187772	Nozzle & Venturi Kit w/Gasket
	7204362	Gasket only, single
	7336486	Gasket only, pack of 20
85	0521829	Flow Plug, .1 gpm
86	7146043	Screen
87	7167659	Screen Support
88	7170262	O-Ring, 1-1/8" x 1-3/8", single
	7336436	O-Ring, 1-1/8" x 1-3/8", pack of 20
89	7199729	Cap
90	0900060	O-Ring, 3/8" x 1/2"
91	7309803	Sensor Housing / Wiring Asm.
92	7337466	Valve Cover
93	7074123	Screw, #10-14 x 2" (5 req.)
■	7344146	Copper Tube Kit, 3/4", includes 10 ea. of Key Nos. 94-96
94	0507369	Installation Nut (2 req.)
95	0507615	Copper Tube, 3/4" (2 req.)
96	7170335	Washer (2 req.)
97	7278434	Bypass Valve, 3/4", Clip Style
■	7129871	Bypass Valve, 3/4", Threaded
■	7327631	Blending Bypass Valve, 3/4", Clip Style
100	7224087	Screw, #8-32 x 1" (2 req.)
100a	7131755	Screw, #6-20 x 7/8" (2 req.) ●
101	7286039	Motor, DC (incl. 2 of Key No. 100)
101a	7285944	Motor, AC (incl. 2 of Key No. 100a) ●
102	0900857	Screw, #6-20 x 3/8" (2 req.)
103	7308085	Motor Plate, AC or DC Motor
	7231385	Motor Plate, NSC15ED only
104	0503288	Bearing
105	7085263	Valve Cover
106	7077472	Expansion Pin
107	7325702	Spacer, Motor Mount
108	7070412	Screw, #4-24 x 1-1/8", Flat Head

■ Not illustrated.

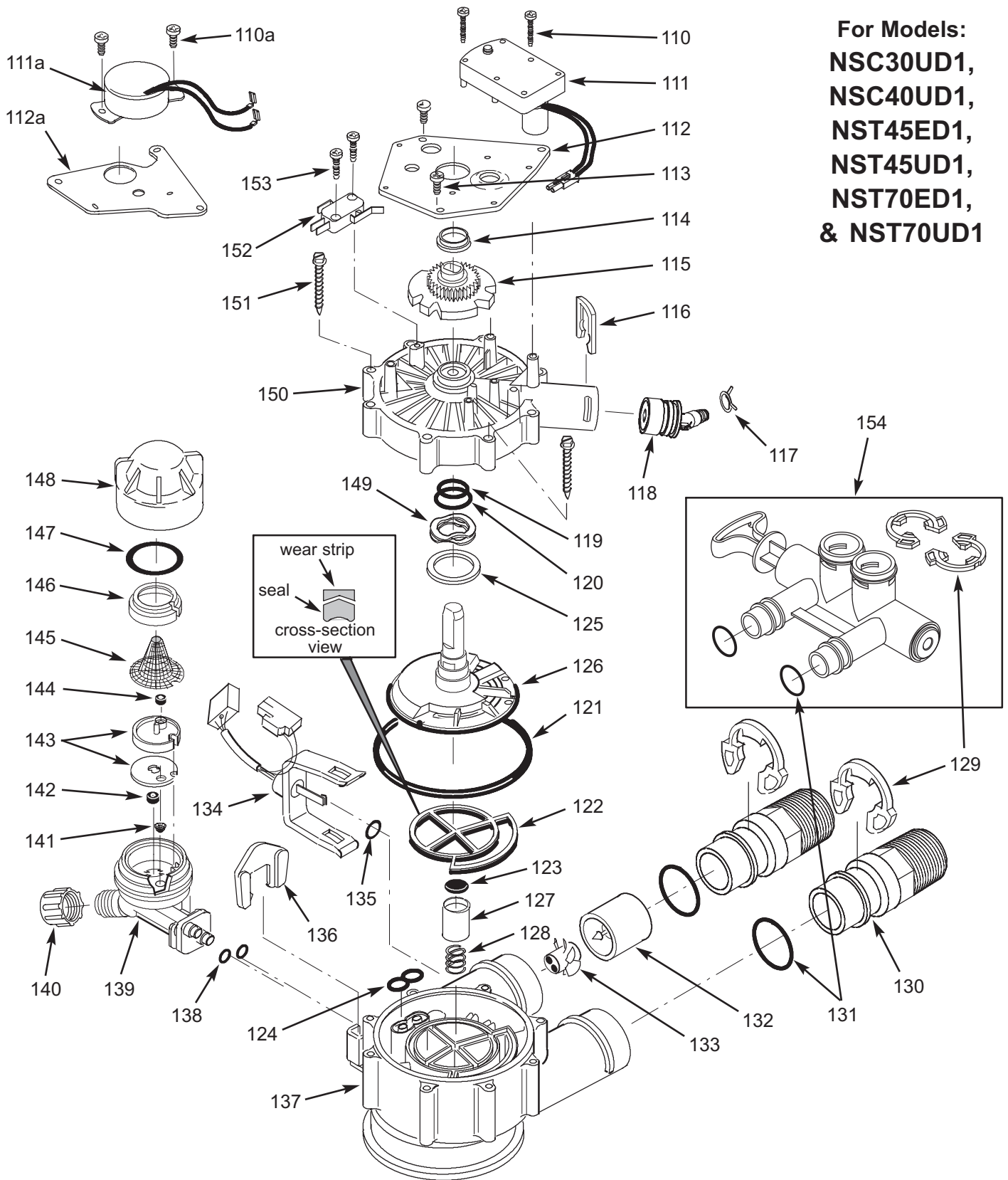
● For AC motor models.



REPAIR PARTS LIST

WATER SOFTENERS - 1" Valve

For Models:
NSC30UD1,
NSC40UD1,
NST45ED1,
NST45UD1,
NST70ED1,
& NST70UD1





REPAIR PARTS LIST

WATER SOFTENERS - 1" Valve

Key No.	Part No.	Description
110	7224087	Screw, #8-32 x 1" (2 req.)
110a	7131755	Screw, #6-20 x 7/8" (2 req.) ●
111	7286039	Motor, DC (incl. 2 of Key No. 110)
111a	7285944	Motor, AC (incl. 2 of Key No. 110a) ●
112	7231393	Motor Plate, DC Motor
112a	7218816	Motor Plate, AC Motor ●
113	0900857	Screw, #6-20 x 3/8" (3 req.)
114	7171250	Bearing
115	7283489	Cam & Gear
116	7169180	Clip, Drain
117	0900431	Hose Clamp
118	7275339	Drain Adaptor Assembly, 2 gpm, NSC30UD1, NSC40UD1, NST45ED1 & NST45UD1
	7275355	Drain Adaptor Assembly, 3 gpm, NST70ED1 & NST70UD1
-	7185487	Seal Kit, includes Key Nos. 119 - 124
119	↑	O-Ring, 5/8" x 13/16"
120	↑	O-Ring, 1-1/8" x 1-1/2"
121	↑	O-Ring, 4-1/2" x 4-7/8"
122	↑	Rotor Seal
123	↑	Seal
124	↑	Seal, Nozzle & Venturi
125	7174313	Bearing, Wave Washer
126	7185500	Rotor & Disc
127	7171187	Plug, Drain Seal
128	7129889	Spring
129	7089306	Clip, 1", single (2 req.)
	7336428	Clip, 1", pack of 20
130	7271204	Installation Adaptor, 1", single (2 req.)
	7336614	Installation Adaptor, 1", pack of 10 (includes 10 ea. of Key No. 131)
■	7077642	Copper Tube, 1", single (2 req.)
	7344138	Copper Tube, 1", pack of 10 (includes 10 ea. of Key No. 131)
■	7104546	PVC Adaptor, 1" (2 req.)
■	7234553	Copper Adaptor, 1-1/4" (2 req.)
■	7129211	Brass Adaptor, 1-1/2"

Key No.	Part No.	Description
131	7311127	O-Ring, 1-1/16" x 1-5/16", single (2 req.)
	7336410	O-Ring, 1-1/16" x 1-5/16", pack of 20
132	7094898	Support, Turbine
133	7101548	Turbine
134	7309811	Sensor Housing / Wiring Asm.
135	0900060	O-Ring, 3/8" x 1/2"
136	7081201	Retainer, Nozzle & Venturi
137	7171145	Valve Body
138	7170319	O-Ring, 1/4" x 3/8" (2 req.)
■	7253808	Nozzle & Venturi Assembly, incl. Key Nos. 139 & 141 - 148, NSC30UD1, NSC40UD1, NST45ED1 & NST45UD1
	7197777	Nozzle & Venturi Assembly, incl. Key Nos. 139 & 141 - 148, NST70ED1 & NST70UD1
139	7081104	Housing, Nozzle & Venturi
140	1202600	Nut - Ferrule
141	7095030	Cone Screen
142	1148800	Fill Flow Plug, .3 gpm
143	7114533	Nozzle & Venturi Kit w/Gasket
	7204362	Gasket only, single
	7336486	Gasket only, pack of 20
144	7084607	Flow Plug, .15 gpm, NSC30UD1, NSC40UD1, NST45ED1 & NST45UD1
	7147798	Flow Plug, .22 gpm, NST70ED1 & NST70UD1
145	7146043	Screen
146	7167659	Screen Support
147	7170262	O-Ring, 1-1/8" x 1-3/8", single
	7336436	O-Ring, 1-1/8" x 1-3/8", pack of 20
148	7199729	Cap
149	7175199	Wave Washer
150	7171161	Valve Cover
151	7172997	Screw, #10-14 x 2-5/8" (8 req.)
152	7305150	Switch
153	7140738	Screw, #4-24 x 3/4" (2 req.)
154	7214383	Bypass Valve, 1" (includes 2 ea. of Key Nos. 129 & 131)

■ Not illustrated.

● For AC motor models.



REPAIR PARTS LIST

WATER FILTERS

Chloramine, Chlorine Taste, Odor & Sediment - NSCCTOSSA

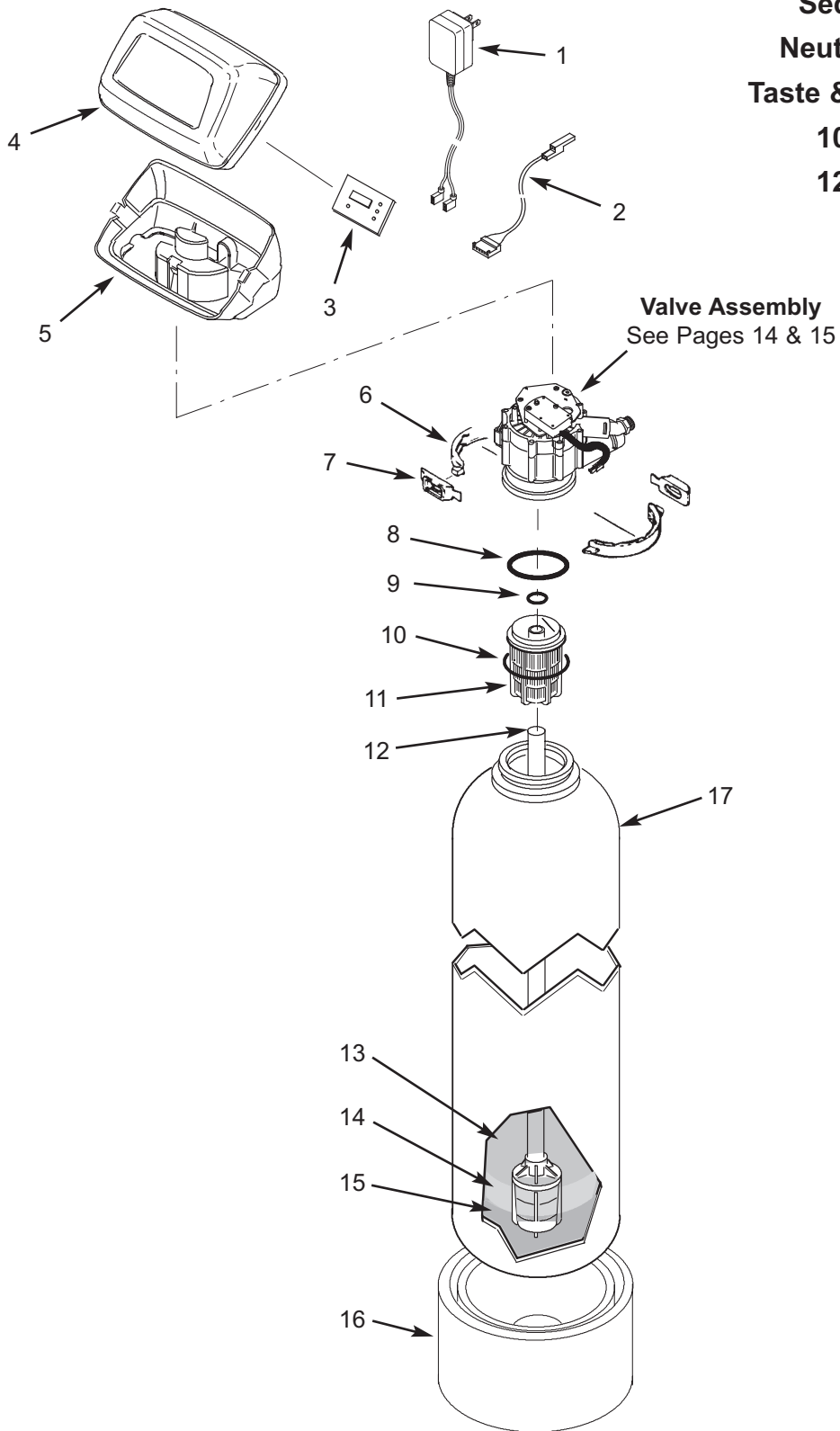
Sediment - NSSFSSA

Neutralizer - NSANSSA

Taste & Odor - NSTOFSSA

10" APF - NSAPFSSA

12" APF - NSAPFXLA





REPAIR PARTS LIST

WATER FILTERS

Chloramine, Chlorine Taste, Odor & Sediment - NSCCTOSSA

Sediment - NSSFSSA

Neutralizer - NSANSSA

Taste & Odor - NSTOFSSA

10" APF - NSAPFSSA

12" APF - NSAPFXLA

Key No.	Part No.	Description
1	7351054	Power Supply, 24V DC
■	7275907	Transformer, 24V AC, 10VA ①
2	7259927	Wire Harness
3	7336363	Repl. Timer (PWA)
4	7260554	Top Cover (order decal below)
■	7285279	Decal, Filter
5	7189449	Bottom Cover
6	7176292	Clamp Section (2 req.)
7	7088033	Clamp Retainer (2 req.)
-	7112963	O-Ring Kit, includes Key Nos. 8 - 10
8	↑	O-Ring, 2-7/8" x 3-1/4"
9	↑	O-Ring, 13/16" x 1-1/16"
10	↑	O-Ring, 2-3/4" x 3"
11	7088855	Top Distributor
12	7105047	Repl. Bottom Distributor
13	7339141	Catalytic Carbon, 1 cu. ft. (Chloramine, Chlorine Taste, Odor & Sediment Filter)
	0505647	Filter Aggregate, 1 cu. ft. (Sediment Filter)
	7161912	Neutralite, 1/2 cu. ft. bag (Water Neutralizer)
14	0501783	Filter Sand, 10 lbs.
15	7124415	Gravel, 17 lbs.
16	7302039	Tank Foot, 10" Tank
	7339222	Tank Foot, 12" Tank
17	7092202	Mineral Tank, 10"
	7113074	Mineral Tank, 12"

■ Not illustrated.

① Use AC transformer on units built before Nov. 20, 2010.

REPAIR PARTS LIST

WATER FILTERS - 1" Valve

Chloramine, Chlorine Taste, Odor & Sediment - NSCCTOSSA

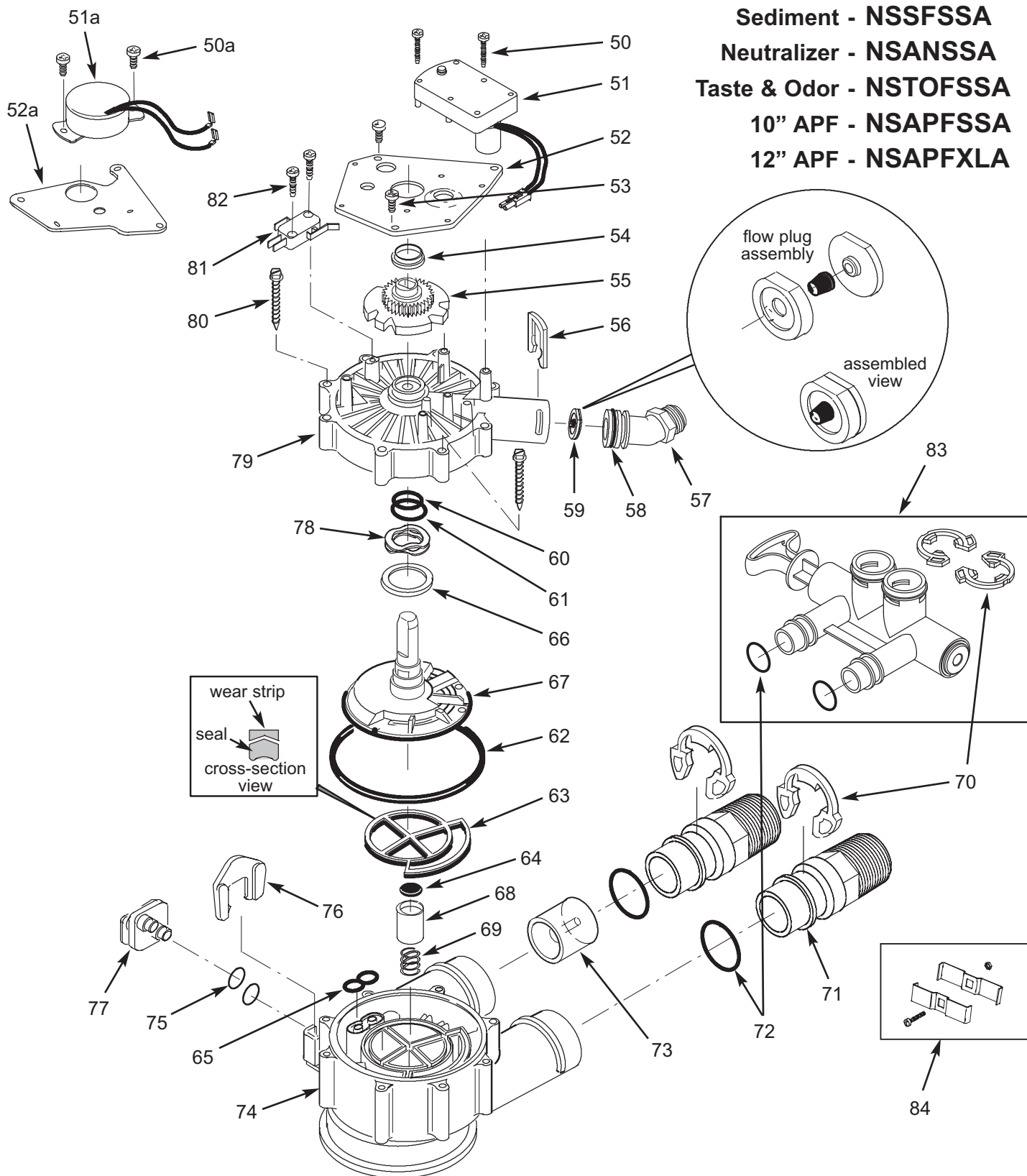
Sediment - NSSFSSA

Neutralizer - NSANSSA

Taste & Odor - NSTOFSSA

10" APF - NSAPFSSA

12" APF - NSAPFXLA





REPAIR PARTS LIST

WATER FILTERS - 1" Valve

Chloramine, Chlorine Taste, Odor & Sediment - NSCCTOSSA

Sediment - NSSFSSA

Neutralizer - NSANSSA

Taste & Odor - NSTOFSSA

10" APF - NSAPFSSA

12" APF - NSAPFXLA

Key No.	Part No.	Description
50	7224087	Screw, #8-32 x 1" (2 req.)
50a	7131755	Screw, #6-20 x 7/8" (2 req.) ●
51	7286039	Motor, DC (incl. 2 of Key No. 50)
51a	7285944	Motor, AC, (incl. 2 of Key No. 50a) ●
52	7231393	Motor Plate, DC Motor
52a	7218816	Motor Plate, AC Motor ●
53	0900857	Screw, #6-20 x 3/8" (3 req.)
54	7171250	Bearing
55	7283489	Cam & Gear
56	7169180	Clip, Drain
57	7172793	Drain Hose Adaptor
58	7170288	O-Ring, 15/16" x 1-3/16", single
	7336402	O-Ring, 15/16" x 1-3/16", pack of 20
59	7217975	Flow Plug, 2.5 gpm, NSTOFSSA
	7178189	Flow Plug, 5 gpm, NSCCTOSSA, NSSFSSA & NSAPFSSA
	7178202	Flow Plug, 7 gpm, NSANSSA & NSAPFXLA
-	7185487	Seal Kit, includes Key Nos. 60 - 65
60	↑	O-Ring, 5/8" x 13/16"
61	↑	O-Ring, 1-1/8" x 1-1/2"
62	↑	O-Ring, 4-1/2" x 4-7/8"
63	↑	Rotor Seal
64	↑	Seal
65	↑	Seal
66	7174313	Bearing, Wave Washer

Key No.	Part No.	Description
67	7185500	Rotor & Disc
68	7171187	Plug, Drain Seal
69	7129889	Spring
70	7089306	Clip, 1", single (2 req.)
	7336428	Clip, 1", pack of 20
71	7271204	Installation Adaptor, 1", single (2 req.)
	7336614	Installation Adaptor, 1", pack of 10 (includes 10 ea. of Key No. 72)
■	7077642	Copper Tube, 1", single (2 req.)
	7344138	Copper Tube, 1", pack of 10 (includes 10 ea. of Key No. 72)
72	7311127	O-Ring, 1-1/16" x 1-5/16", single (2 req.)
	7336410	O-Ring, 1-1/16" x 1-5/16", pack of 20
73	7078240	Support
74	7171145	Valve Body
75	7170319	O-Ring, 1/4" x 3/8" (2 req.)
76	7081201	Retainer
77	7100940	Plug
78	7175199	Wave Washer
79	7171161	Valve Cover
80	7172997	Screw, #10-14 x 2-5/8" (8 req.)
81	7305150	Switch
82	7140738	Screw, #4-24 x 3/4" (2 req.)
83	7214383	Bypass Valve, 1" (includes 2 ea. of Key Nos. 70 & 72)
84	7248706	Ground Clamp Kit

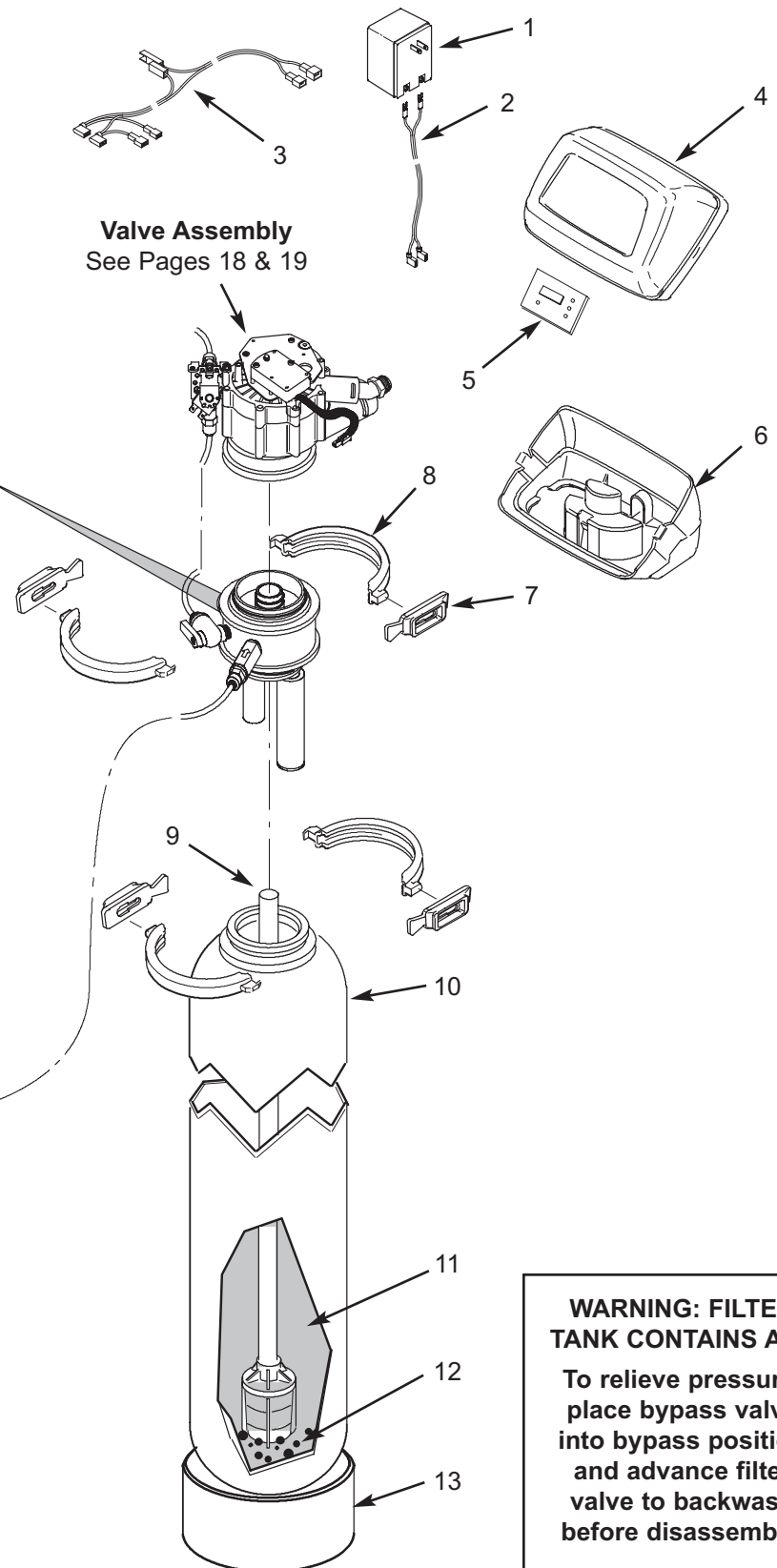
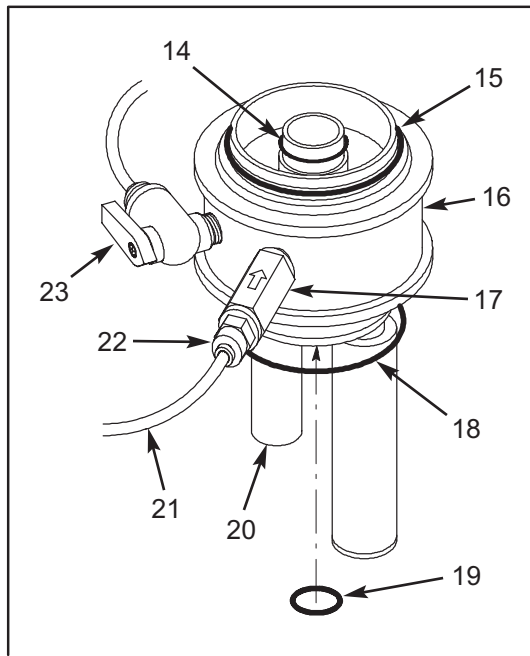
■ Not illustrated.

● For AC motor models.



REPAIR PARTS LIST

WATER FILTER Air Inject Iron - NSAIIF2 (Discontinued Model)



WARNING: FILTER TANK CONTAINS AIR.

To relieve pressure, place bypass valve into bypass position and advance filter valve to backwash before disassembly.



REPAIR PARTS LIST

WATER FILTER Air Inject Iron - NSAIIF2 (Discontinued Model)

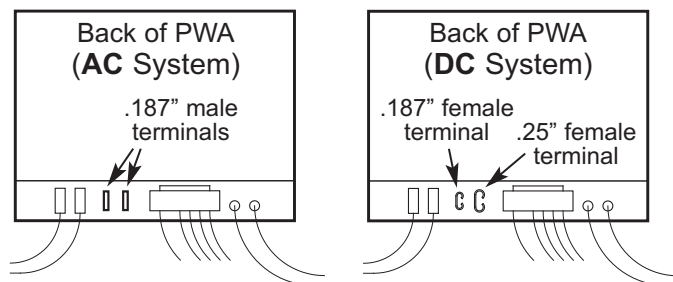
Key No.	Part No.	Description
1	7085297	Transformer, 24V AC, 40 VA
2	7132840	Power Cord
3	7306847	Wire Harness for AC Solenoid ●
	7322801	Wire Harness for DC Solenoid ●
4	7260554	Top Cover (order decal below)
■	7285279	Decal, Filter
5	7286699	Repl. Controller (PWA)
6	7189449	Bottom Cover
7	7088033	Clamp Retainer (4 req.)
8	7176292	Clamp Section (4 req.)
9	7105047	Repl. Bottom Distributor
10	7092202	Resin Tank, 10" dia. x 47"
11	×	Birm
12	7124415	Quartz
13	7302039	Tank Base
14	7170254	O-Ring, 13/16" x 1-1/16"
15	7170296	O-Ring, 2-7/8" x 3-1/4"

Key No.	Part No.	Description
16	7310278	Adaptor Assembly (includes Key. Nos. 17, 19, 20, 22 & 23)
17	7190628	Check Valve
18	7170270	O-Ring, 2-3/4" x 3"
19	7168312	O-Ring, 63/64" x 1-1/4"
20	7306813	Nipple
21	7161823	Tubing, 1/4" x 20 ft.
22	7171666	Connector, 1/4 Tube to 1/4 NPT
23	7306839	Ball Valve
24	7276050	Relay Box, AC ●
	7322681	Relay Box, DC ●
25	7288081	Air Pump, 120V (includes Key No. 26)
26	7171674	Connector, 1/4 Tube to 1/8 NPT
■	7311313	Adaptor Kit (includes Key Nos. 14-16, 18, 2 ea. of 7 & 8)

■ Not illustrated.

× No longer available.

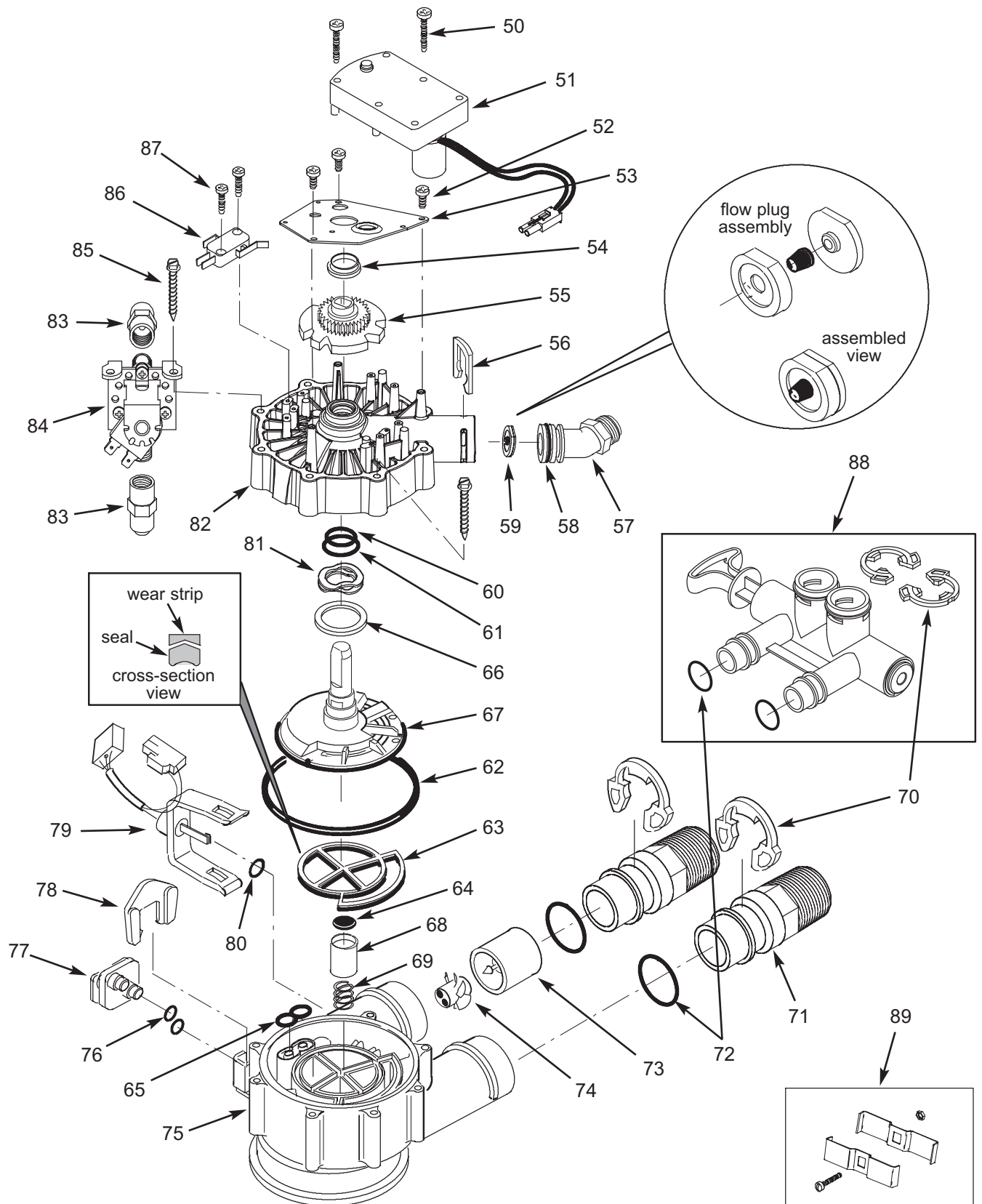
● To determine whether an installed system supports AC or DC solenoid, look at the auxiliary output terminals on the back of the PWA (see illustrations below).





REPAIR PARTS LIST

WATER FILTER Air Inject Iron - NSAIIF2 (Discontinued Model)





REPAIR PARTS LIST

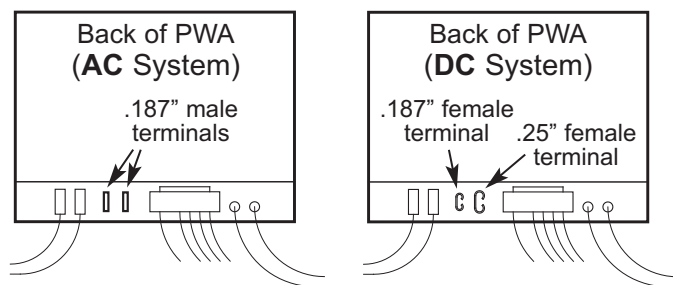
WATER FILTER Air Inject Iron - NSAIIF2 (Discontinued Model)

Key No.	Part No.	Description
50	7224087	Screw, #8-32 x 1" (2 req.)
51	7286039	Motor, (incl. 2 of Key No. 50)
52	0900857	Screw, #6-20 x 3/8" (3 req.)
53	7231393	Motor Plate
54	7171250	Bearing
55	7283489	Cam & Gear
56	7169180	Clip, Drain
57	7172793	Drain Hose Adaptor
58	7170288	O-Ring, 15/16" x 1-3/16", single
	7336402	O-Ring, 15/16" x 1-3/16", pack of 20
59	7178189	Flow Plug, 5 gpm, NSSFSSA, NSAPFSSA & NSAIIF
-	7185487	Seal Kit, includes Key Nos. 60 - 65
60	↑	O-Ring, 5/8" x 13/16"
61	↑	O-Ring, 1-1/8" x 1-1/2"
62	↑	O-Ring, 4-1/2" x 4-7/8"
63	↑	Rotor Seal
64	↑	Seal
65	↑	Seal
66	7174313	Bearing, Wave Washer
67	7185500	Rotor & Disc
68	7171187	Plug, Drain Seal
69	7129889	Spring
70	7089306	Clip, 1", single (2 req.)
	7336428	Clip, 1", pack of 20
71	7271204	Installation Adaptor, 1", single (2 req.)
	7336614	Installation Adaptor, 1", pack of 10 (includes 10 ea. of Key No. 72)
■	7077642	Copper Tube, 1", single (2 req.)
	7344138	Copper Tube, 1", pack of 10 (includes 10 ea. of Key No. 72)

Key No.	Part No.	Description
72	7311127	O-Ring, 1-1/16" x 1-5/16", single (2 req.)
	7336410	O-Ring, 1-1/16" x 1-5/16", pack of 20
73	7094898	Support, Turbine
74	7101548	Turbine
75	7171145	Valve Body
76	7170319	O-Ring, 1/4" x 3/8" (2 req.)
77	7100940	Plug
78	7081201	Retainer
79	7309811	Wire Harness & Sensor Housing
80	0900060	O-Ring, 3/8" x 1/2"
81	7175199	Wave Washer
82	7171161	Valve Cover
83	7306821	Connector, 1/4 QC to 1/4 NPT (2 req.)
84	7287645	Solenoid, AC ●
	7322699	Solenoid, DC ●
85	7172997	Screw, #10-14 x 2-5/8" (8 req.)
86	7305150	Switch (2 req.)
87	7140738	Screw, #4-24 x 3/4" (4 req.)
88	7214383	Bypass Valve, 1" (includes 2 ea. of Key Nos. 70 & 72)
89	7248706	Ground Clamp Kit

■ Not illustrated.

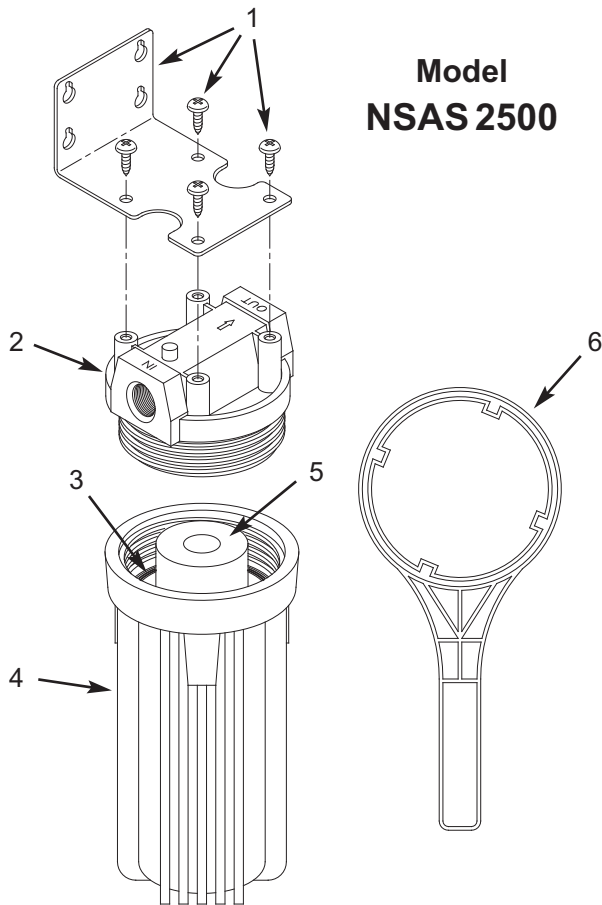
● To determine whether an installed system supports AC or DC solenoid, look at the auxiliary output terminals on the back of the PWA (see illustrations below).



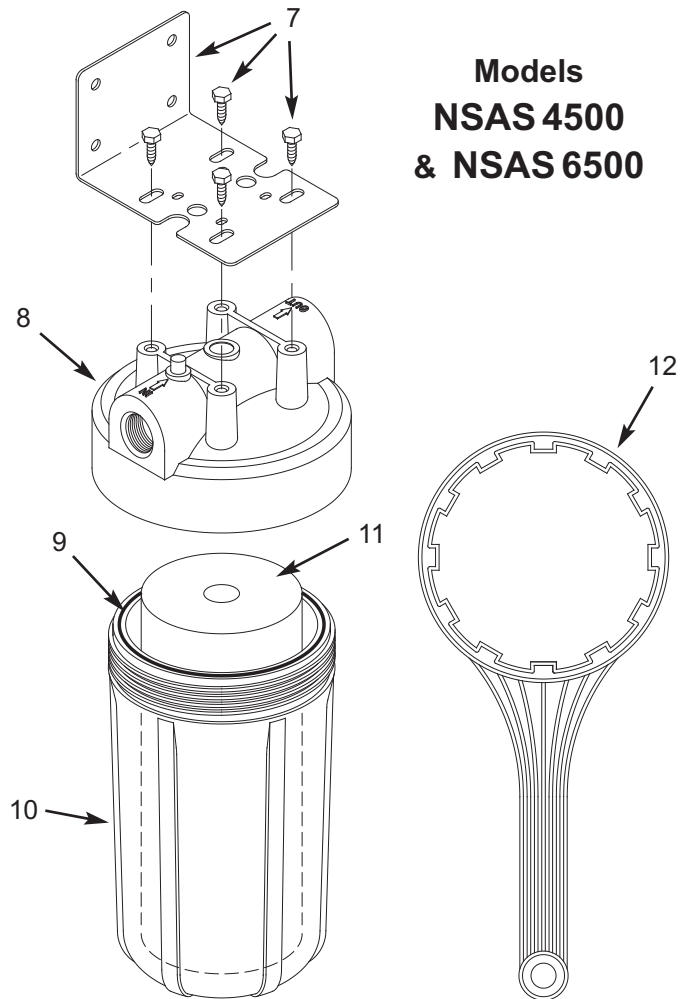


REPAIR PARTS LIST

WATER FILTERS Anti-Scale - NSAS 2500, NSAS 4500 & NSAS 6500



**Model
NSAS 2500**



**Models
NSAS 4500
& NSAS 6500**

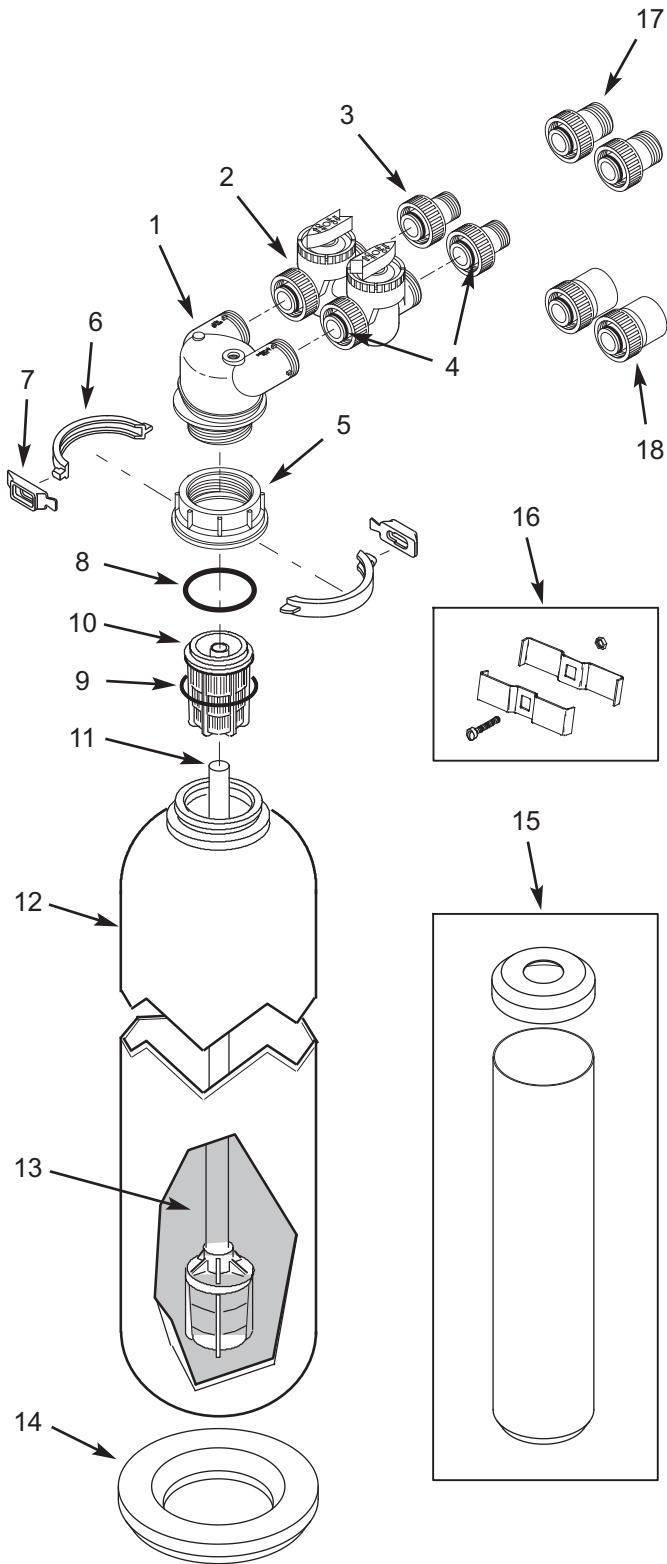
Key No.	Part No.	Description
1	7337953	Mounting Bracket, with 4 screws, Model NSAS 2500
2	7337929	Head Assembly, Model NSAS 2500
3	7337937	O-Ring, Model NSAS 2500
4	7337911	Sump, Model NSAS 2500
5	7337131	Repl. Filter Cartridge, Anti-Scale, Model NSAS 2500
6	7337945	Wrench, Model NSAS 2500

Key No.	Part No.	Description
7	7337775	Mounting Bracket, with 4 screws, Models NSAS 4500 & NSAS 6500
8	7337741	Head Assembly, Models NSAS 4500 & NSAS 6500
9	7337759	O-Ring, Models NSAS 4500 & NSAS 6500
10	7337822	Sump, Model NSAS 4500
	7337733	Sump, Model NSAS 6500
11	7337686	Repl. Filter Cartridge, Anti-Scale, Model NSAS 4500
	7337115	Repl. Filter Cartridge, Anti-Scale, Model NSAS 6500
12	7337767	Wrench Models NSAS 4500 & NSAS 6500



REPAIR PARTS LIST

WATER FILTERS Anti-Scale - NSSM10 & NSSM10C



Key No.	Part No.	Description
1	7351753	Head, In/Out
2	7351779	Bypass Valve Assembly, Upflow, includes o-rings (See Key No. 4)
3	7346790	Adapter, Plumbing, 1" NPT, pack of 2, includes o-rings (See Key No. 4)
4	7311127	O-Ring, 1-1/16" x 1-5/16", single
	7336410	O-Ring, 1-1/16" x 1-5/16", pack of 20
5	7342788	Adapter, Tank Neck
-	7331177	Tank Neck Clamp Kit (includes 2 ea. of Key Nos. 6 & 7)
6	↑	Clamp Section
7	↑	Retainer, Clamp
-	7112963	Distributor O-Ring Kit (includes Key Nos. 8 & 9)
8	↑	O-Ring, 2-7/8" x 3-1/4"
9	↑	O-Ring, 2-3/4" x 3"
10	7077870	Top Distributor
11	7105047	Repl. Bottom Distributor
12	7092202	Repl. Mineral Tank, 10" x 47"
13	7351672	Anti-Scale Media, 12 lbs. (24 lbs. used in NSSM10 & NSSM10C)
	7301619	Activated Carbon, 27.5 lbs. (14 lbs. used in NSSM10C, not used in NSSM10)
	7351761	HDPE Pellets, 3 lbs. (3 lbs. used in NSSM10 & 6 lbs. used in NSSM10C)
14	7026196	Base, Foam
15	7092210	Shroud Kit, includes cap (order decal below)
■	7353535	Decal, Shroud Front, NSSM10
	7353543	Decal, Shroud Front, NSCU10
16	7248706	Ground Clamp Kit *
17	7352822	Adapter, Plumbing, 1-1/4" NPT, pack of 2, includes o-rings *
18	7352830	Adapter, Plumbing, 1-1/4" & 1-1/2" PVC Solvent, pack of 2, incl. o-rings *

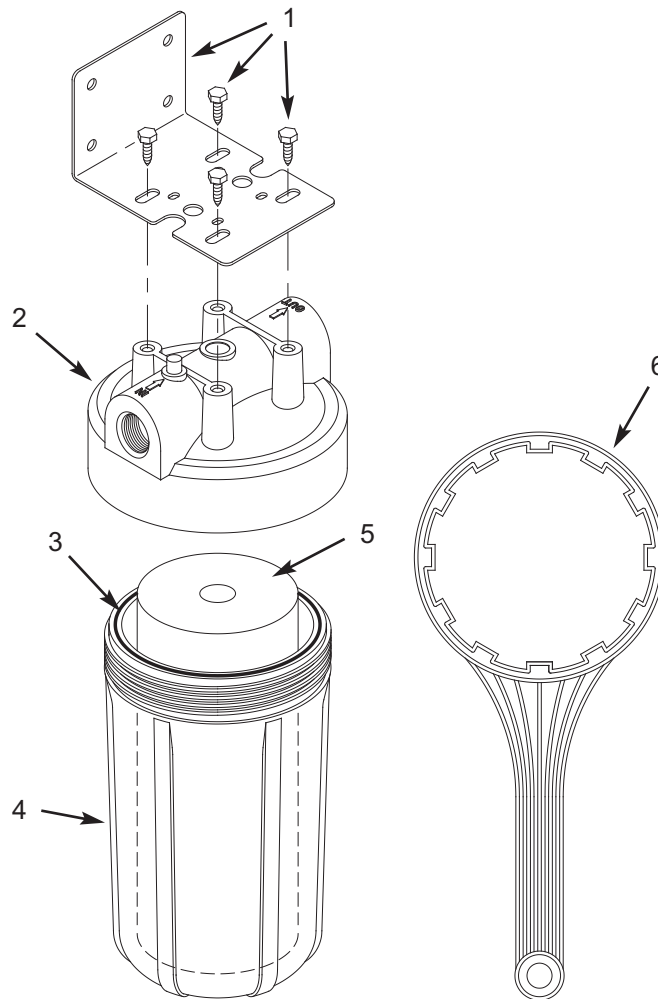
■ Not illustrated.

* Optional parts, not included with system.



REPAIR PARTS LIST

WATER FILTER Sediment - NSSFS10

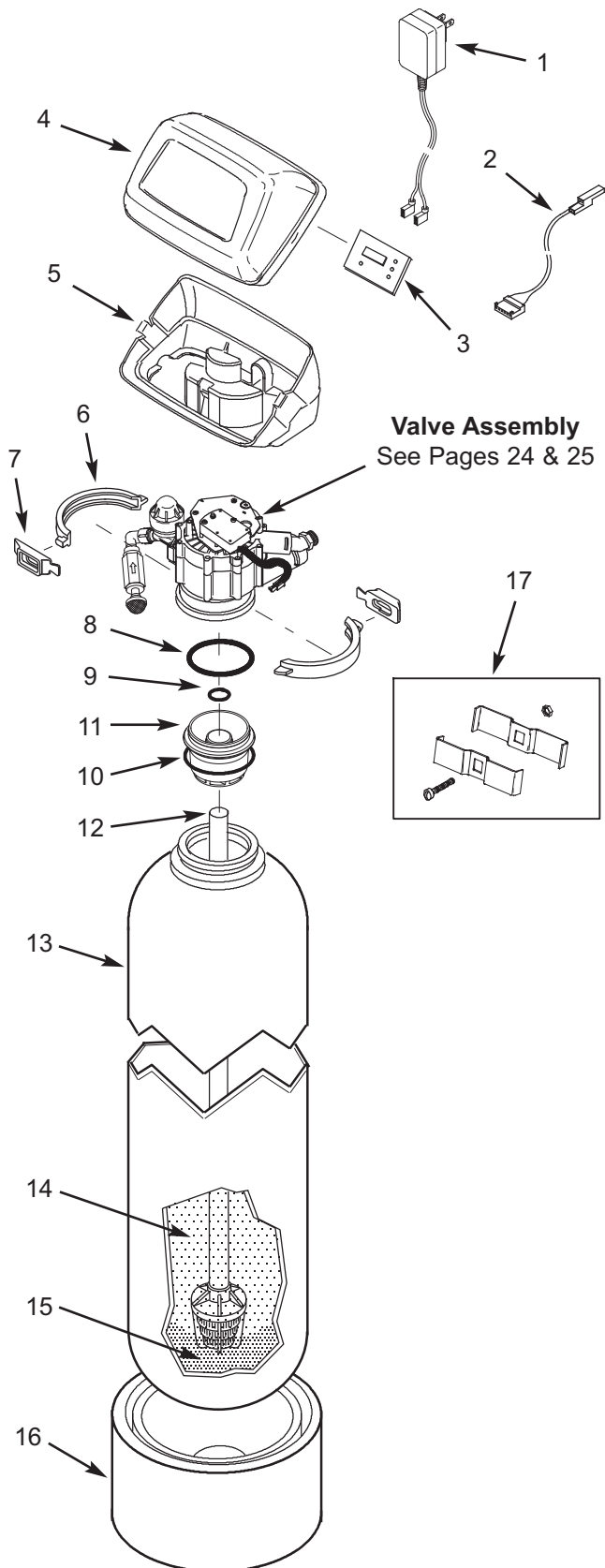


Key No.	Part No.	Description
1	7337775	Mounting Bracket, with 4 screws
2	7337741	Head Assembly
3	7337759	O-Ring
4	7337822	Sump
5	7353446	Repl. Filter Cartridge, Sediment, 50 micron
6	7337767	Wrench



REPAIR PARTS LIST

WATER FILTERS Air Aspirated Iron - NSAIV-10, NSAIV-12 & NSEIV-10



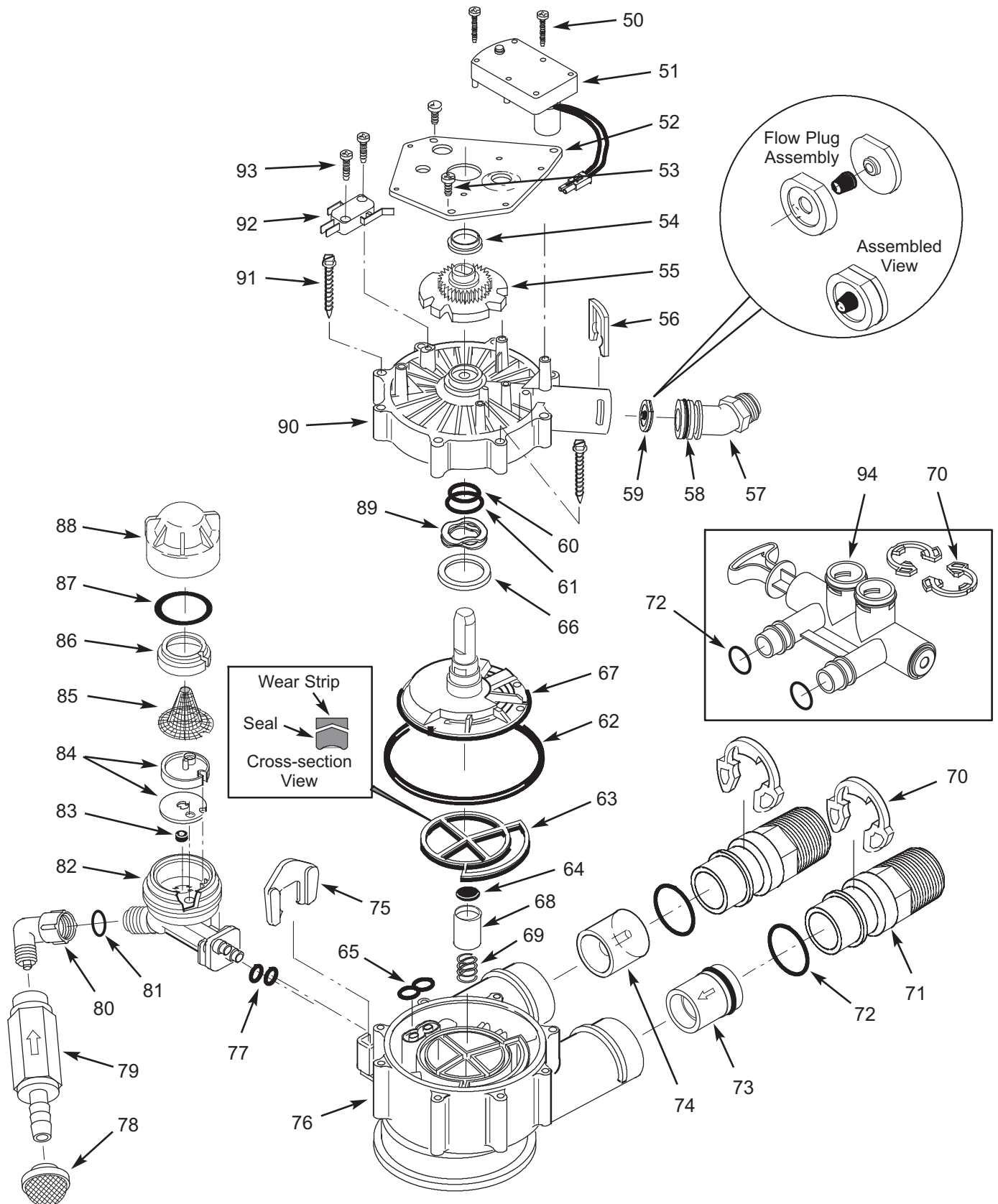
Key No.	Part No.	Description
1	7351054	Power Supply, 24V DC
2	7259927	Wire Harness
3	7336363	Repl. Electronic Controller (PWA)
4	7260554	Top Cover (order decal below)
■	7285279	Decal, Faceplate
5	7189449	Bottom Cover
6	7176292	Clamp Section (2 req.)
7	7088033	Retainer Clip (2 req.)
8	7170296	O-Ring, 2-7/8" x 3-1/4"
9	7170254	O-Ring, 13/16" x 1-1/16"
10	7170270	O-Ring, 2-3/4" x 3"
11	7335757	Top Distributor
12	7105047	Repl. Bottom Distributor
13	7092202	Repl. Mineral Tank, 10" x 47", Models NSAIV-10 & NSEIV-10
	7113074	Repl. Mineral Tank, 12" x 54" Model NSAIV-12
14	7351046	Zeolite Media, 50 lbs. (media not included with Model NSEIV-10)
15	7124415	Gravel, 17 lbs.
16	7302039	Tank Foot, Models NSAIV-10 & NSEIV-10
	7339222	Tank Foot, Model NSAIV-12
17	7248706	Ground Clamp Kit

■ Not illustrated



REPAIR PARTS LIST

WATER FILTERS Air Aspirated Iron - NSAIV-10, NSAIV-12 & NSEIV-10





REPAIR PARTS LIST

WATER FILTERS Air Aspirated Iron - NSAIV-10, NSAIV-12 & NSEIV-10

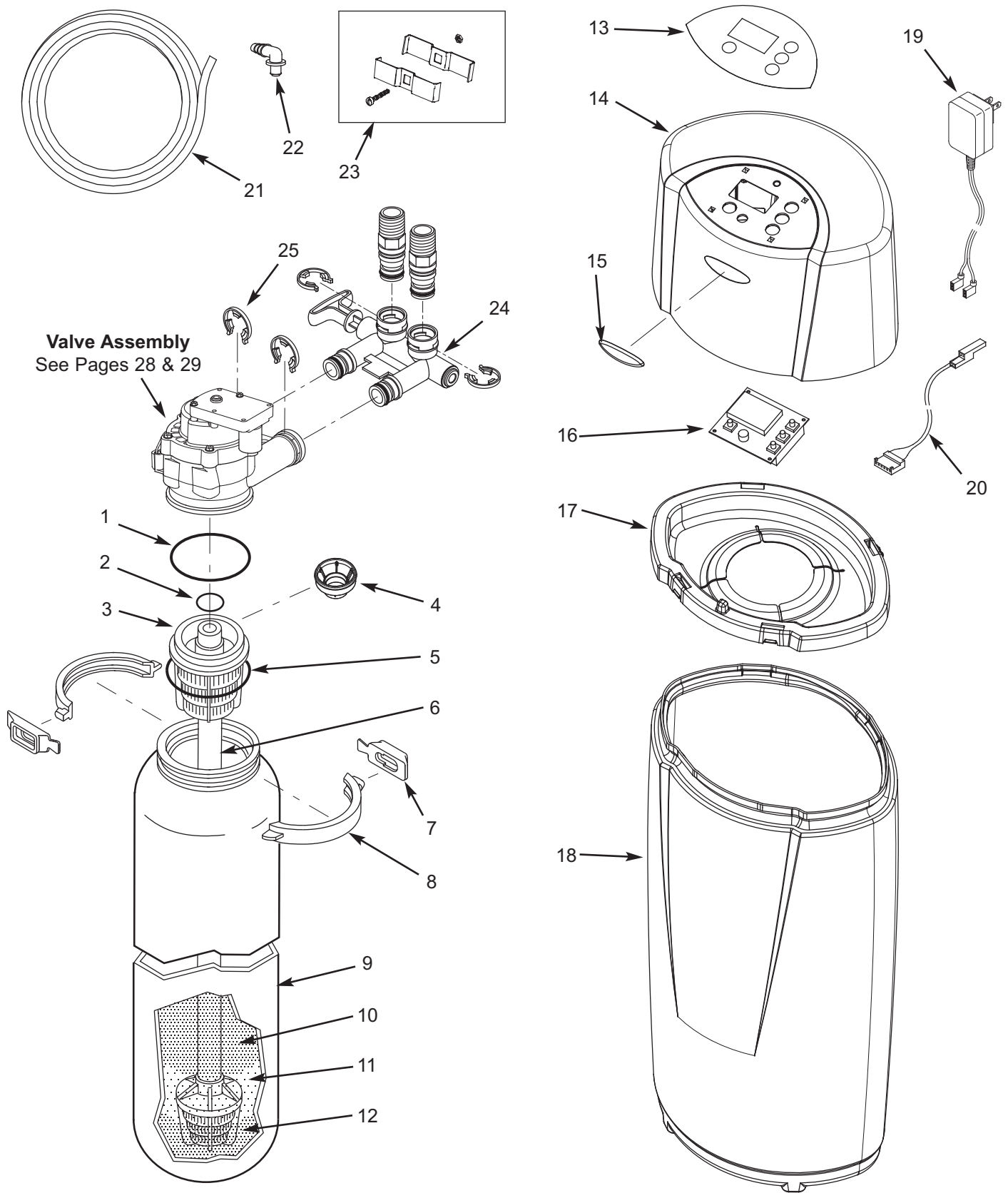
Key No.	Part No.	Description
50	7224087	Screw, #8-32 x 1" (2 req.)
51	7286039	Motor (incl. 2 ea. of Key No. 50)
52	7231393	Motor Plate
53	0900857	Screw, #6-20 x 3/8" (3 req.)
54	7171250	Bearing
55	7335024	Cam & Gear
56	7169180	Clip, Drain
57	7172793	Drain Hose Adaptor
58	7170288	O-Ring, 15/16" x 1-3/16", single
	7336402	O-Ring, 15/16" x 1-3/16", pack of 20
59	7178202	Flow Plug, 7 gpm, Models NSAIV-10 & NSEIV-10
	7178210	Flow Plug, 10 gpm, Model NSAIV-12
-	7185487	Seal Kit (includes Key Nos. 60-65)
60	↑	O-Ring, 5/8" x 13/16"
61	↑	O-Ring, 1-1/8" x 1-1/2"
62	↑	O-Ring, 4-1/2" x 4-7/8"
63	↑	Rotor Seal
64	↑	Seal
65	↑	Seal, Nozzle & Venturi
66	7174313	Bearing, Wave Washer
67	7335058	Rotor & Disc
68	7171187	Plug, Drain Seal
69	7129889	Spring
70	7089306	Clip, 1", single (2 req.)
	7336428	Clip, 1", pack of 20
71	7271204	Installation Adaptor, 1", single (2 req.)
	7336614	Installation Adaptor, 1", pack of 10 (includes 10 ea. of Key No. 72)

Key No.	Part No.	Description
72	7311127	O-Ring, 1-1/16" x 1-5/16", single (2 req.)
	7336410	O-Ring, 1-1/16" x 1-5/16", pack of 20
73	7343873	Inlet Check Valve w/O-Ring
74	7078240	Turbine Support & Shaft
75	7081201	Retainer, Nozzle & Venturi
76	7171145	Valve Body
77	7170319	O-Ring, 1/4" x 3/8" (2 req.)
78	7336208	Air Inlet Screen
79	7336193	Aspirator Check Valve
80	7120526	Elbow, 90°
81	7292323	O-Ring, 3/16" x 7/16"
-	7085247	Nozzle & Venturi Assembly (includes Key Nos. 82-88)
82	7081104	Housing, Nozzle & Venturi
83	1148800	Flow Plug, .3 gpm
84	7114533	Nozzle & Venturi Kit w/Gasket
	7204362	Gasket only, single
	7336486	Gasket only, pack of 20
85	7146043	Screen
86	7167659	Screen Support
87	7170262	O-Ring, 1-1/8" x 1-3/8", single
	7336436	O-Ring, 1-1/8" x 1-3/8", pack of 20
88	7199729	Cap
89	7175199	Wave Washer
90	7171161	Valve Cover
91	7172997	Screw, #10 x 2-5/8" (8 req.)
92	7305150	Switch
93	7140738	Screw, #4-24 x 3/4" (2 req.)
94	7214383	Bypass Valve (includes 2 ea. of Key Nos. 70 & 72)



REPAIR PARTS LIST

CENTRAL WATER FILTRATION SYSTEMS - EPWHCW & NSWHCW





REPAIR PARTS LIST

CENTRAL WATER FILTRATION SYSTEM - EPWHCW & NSWHCW

Key No.	Part No.	Description
■	7290876	Assembly, Replacement Mineral Tank, w/media & associated components (Includes Key Nos. 1 through 12)
1	7170296	O-Ring, 2-7/8" x 3-1/4"
2	7170254	O-Ring, 13/16" x 1-1/16"
3	7077870	Top Distributor
4	7265025	Filter Screen
5	7170270	O-Ring, 2-3/4" x 3"
6	7105047	Repl. Bottom Distributor
7	7088033	Retainer Clip (2 req.)
8	7176292	Clamp Section (2 req.)
9	*	Mineral Tank, 8" x 25"
10	*	Activated Carbon, 10 lbs.
11	*	Filter Sand, 5 lbs.
12	*	Gravel, 6 lbs.
13	7290402	Faceplate Decal
14	7290119	Cover (order decal above)
15	7338967	North Star Badge, NSWHCW only
16	7290729	Repl. Electronic Control Board (PWA)
17	7290101	Rim
18	7296296	Outer Shroud Tank
19	7351054	Power Supply, 24V DC
■	7275907	Transformer, 24V AC, 10VA ①
20	7259927	Wire Harness
21	7139999	Drain Hose, 20 ft.
22	1103200	Tube Adaptor (Elbow)
23	7248706	Ground Clamp Kit
24	7278434	Bypass Valve, 3/4"
25	7116713	Clip, 3/4", single (2 req.)
	7336397	Clip, 3/4", pack of 20

■ Not illustrated.

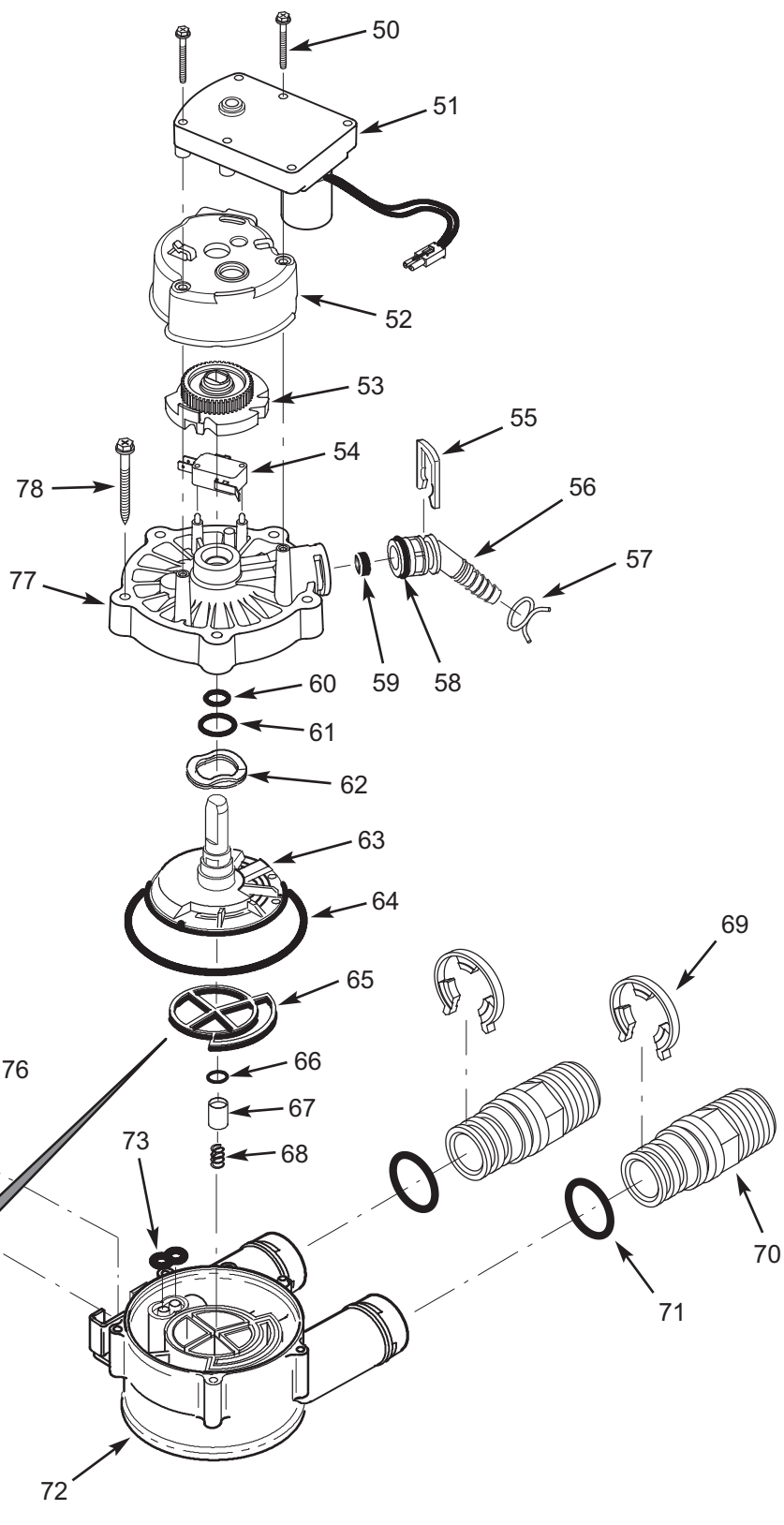
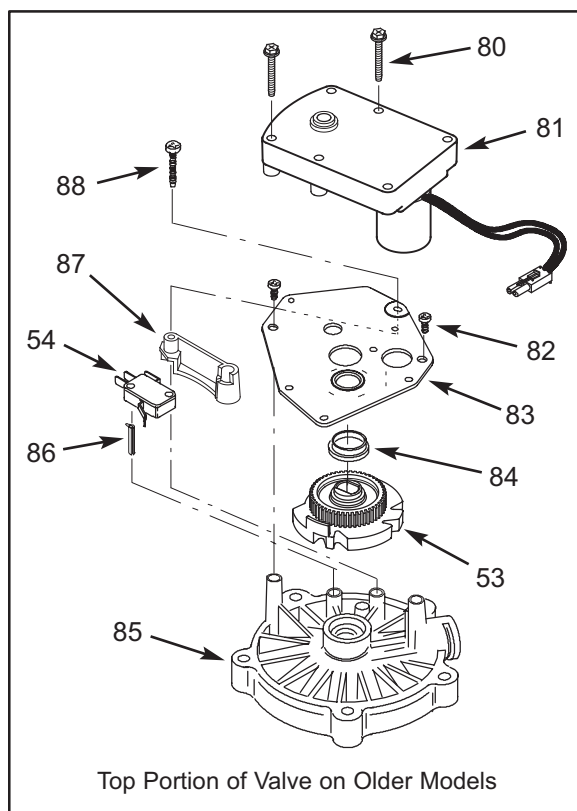
* Mineral Tank and media can only be purchased as part of the Replacement Mineral Tank Assembly (See top of list).

① Use AC transformer on units built before Nov. 20, 2010.



REPAIR PARTS LIST

CENTRAL WATER FILTRATION SYSTEMS - EPWHCW & NSWHCW





REPAIR PARTS LIST

CENTRAL WATER FILTRATION SYSTEMS - EPWHCW & NSWHCW

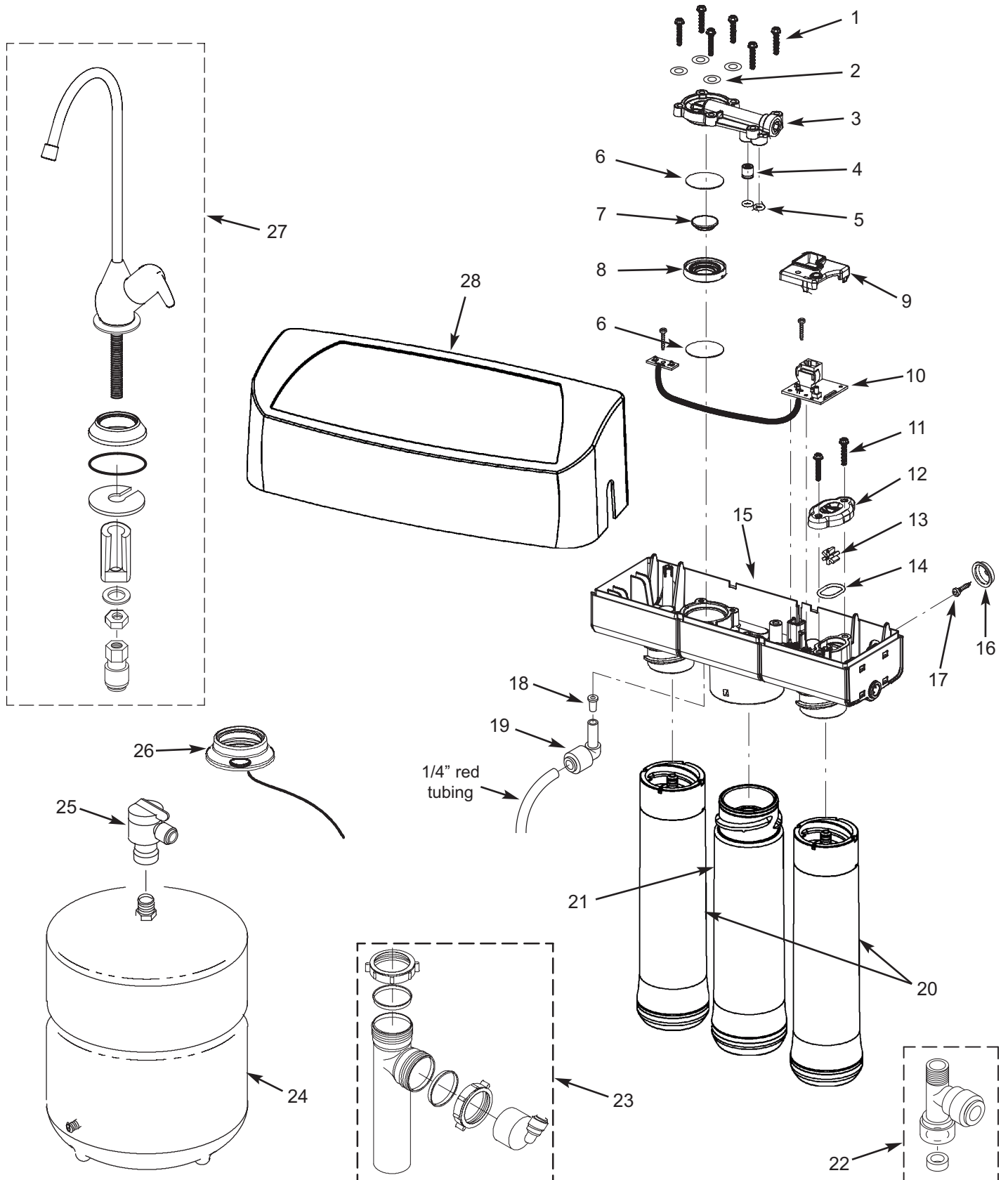
Key No.	Part No.	Description
50	7338111	Screw, #6-19 x 1-3/8" (2 req.)
51	7281291	Motor
52	7337474	Motor Mount
53	7284964	Cam & Gear
54	7030713	Switch
55	7142942	Clip, Drain
56	7024160	Adapter, Drain Hose
57	0900431	Tubing Clamp
58	7170327	O-Ring, 5/8" x 13/16"
59	7290410	Flow Plug
60	7133464	O-Ring, 7/16" x 5/8"
61	7170220	O-Ring, 3/4" x 15/16"
62	7082087	Wave Washer
63	7199232	Rotor & Disc
64	7170246	O-Ring, 3-3/8" x 3-5/8"
65	7134224	Rotor Seal
66	7133456	O-Ring, 3/8" x 9/16"
67	7092642	Plug, Drain Seal
68	7129889	Spring
69	7116713	Clip, 3/4", single (2 req.)
	7336397	Clip, 3/4", pack of 20

Key No.	Part No.	Description
70	7278442	Installation Adaptor, 3/4", single (2 req.)
	7336606	Installation Adaptor, 3/4", pack of 10
71	7170288	O-Ring, 15/16" x 1-3/16", single (2 req.)
	7336402	O-Ring, 15/16" x 1-3/16", pack of 20
72	7082053	Valve Body
73	7081764	Seal, Nozzle & Venturi
74	7170319	O-Ring, 1/4" x 3/8" (2 req.)
75	7100940	Plug, Aspirator Port
76	7081201	Retainer, Nozzle & Venturi
77	7337466	Valve Cover
78	7074123	Screw, #10-14 x 2" (5 req.)
80	7224087	Screw, #8-32 x 1" (2 req.)
81	7286039	Motor (incl. 2 ea. of Key No. 80)
82	0900857	Screw, #6-20 x 3/8" (2 req.)
83	7231385	Motor Plate
84	0503288	Bearing
85	7085263	Valve Cover
86	7077472	Expansion Pin
87	7325702	Spacer, Motor Mount
88	7070412	Screw, #4-24 x 1-1/8", Flat Head



REPAIR PARTS LIST

REVERSE OSMOSIS SYSTEM - NSRO42C4





REPAIR PARTS LIST

REVERSE OSMOSIS SYSTEM - NSRO42C4

Key No.	Part No.	Description
-	7333145	Automatic Shutoff Kit (includes Key No. 3, 4 of Key No. 2 & 6 of Key No. 1)
1	↑	Screw (6 req.)
2	↑	Washer (4 req.)
3	↑	Automatic Shutoff Cover Asm.
-	7333137	Check Valve Kit (includes Key No. 4 & 2 of Key No. 5)
4	↑	Check Valve
5	↑	O-Ring, Auto Shutoff (2 req.)
-	7333179	Diaphragm Kit (includes Key Nos. 7, 8 & 2 of Key No. 6)
6	↑	Diaphragm (2 req.)
7	↑	Plunger
8	↑	Spacer Ring
-	7333195	PWA Kit (includes Key No. 9 & decal)
9	↑	Cover, PWA
■	↑	Decal, PWA Cover
10	7280156	Repl. Electronic Board (PWA), including screws
-	7333200	Paddlewheel Kit (includes Key Nos. 11-14)
11	↑	Screw (2 req.)
12	↑	Cover, Paddlewheel
13	↑	Paddlewheel
14	↑	O-Ring, Paddlewheel
15	7296521	Repl. Manifold Assembly (includes Key Nos. 1-8 & 11-14)

Key No.	Part No.	Description
-	7333129	Mounting Hardware Kit (includes 2 ea. of Key Nos. 16 & 17)
16	↑	Hanger Washer (2 req.)
17	↑	Screw (2 req.)
-	7333153	Flow Control Kit (includes Key Nos. 18 & 19)
18	↑	Flow Control Insert
19	↑	Elbow, Plug-in, 1/4 Stem x 1/4 Tube
20	7287506	Pre & Post Filter Cartridge, plus Battery (contains 1 of each)
21	7287514	RO Membrane Cartridge
22	119-8600084	Water Supply Fitting, 1/4" Q.C.
23	7208489	Drain Adaptor
24	7256018	Storage Tank
25	7251034	Connector, 1/4 NPT x 3/8 Q.C. Tube
26	7261500	Electronic Monitor Kit, Chrome
	7278230	Electronic Monitor Kit, Brushed Nickel ●
27	WHEFCHR	Faucet, Chrome
	WHEFSAT	Faucet, Brushed Nickel ●
28	7272755	Cover (order decal below)
■	7287548	Decal, Cover
■	7281005	Push-in Fitting Kit, 1/4" ◆ ●
■	7281013	Push-in Fitting Kit, 3/8" ◆ ●
■	7301203	Sanitization Kit ●
■	7315189	Auxiliary Storage Tank ●
■	7161823	Tubing, 1/4" x 20 ft - white ▲ ●
■	7157280	Tubing, 3/8" x 20 ft. - white ▲ ●

■ Not illustrated.

◆ These o-rings and collets are for replacement in the manifold housing only. They do not fit the other push-in fitting on Key No. 25.

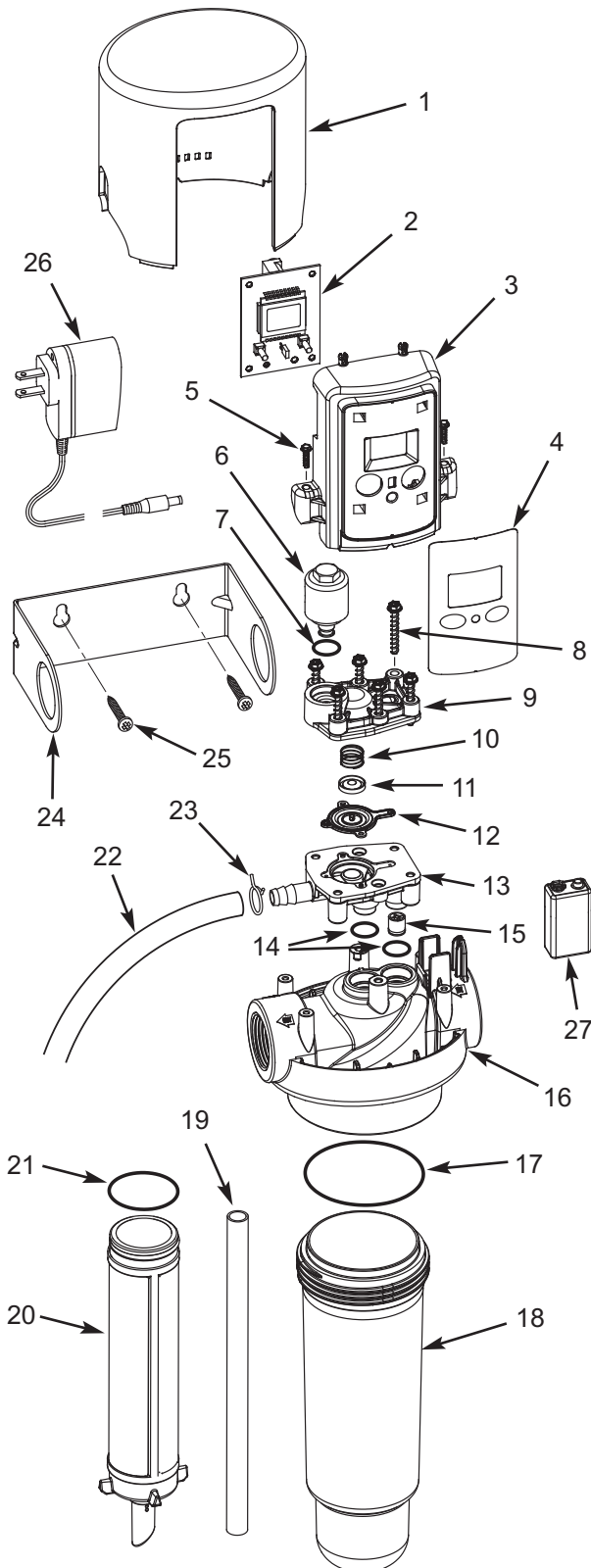
● Not included.

▲ Tubing lengths for remote installations, direct replacement for colored lengths of tubing.



REPAIR PARTS LIST

AUTOMATIC SEDIMENT FILTER - EP-ASF1 (Discontinued Model)



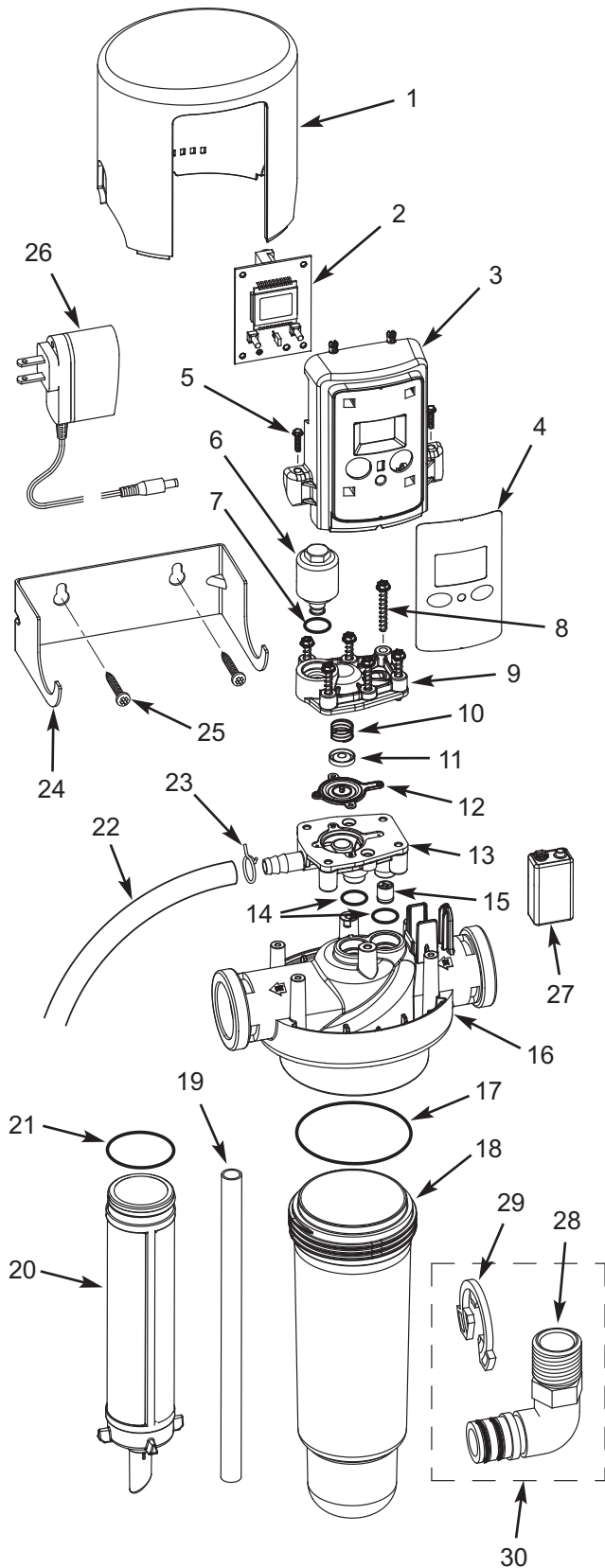
Key No.	Part No.	Description
1	7298442	Top Cover
2	7295177	Electronic Control Board (PWA)
3	7298434	Faceplate (order decal below)
4	7300354	Decal, Faceplate, EcoPure
5	7300346	Screw, 6-19 x 1/2" (2 req.)
6	7301596	Solenoid
7	7301758	O-Ring, Solenoid
8	7300338	Screw, 10-16 x 1-1/4" (6 req.)
9	7298426	Valve Cover
10	7301520	Spring
11	7301685	Retainer, Spring
12	7301512	Diaphragm
13	7298418	Valve Body
14	7300320	O-Ring, Valve (2 req.)
15	7272658	Check Valve
16	7298387	Head Assembly
17	7300312	O-Ring, Sump
18	7298395	Sump
19	7300304	Drain Straw
20	7298808	Filter Screen Assembly, 60 Micron (includes Key No. 21)
	7298816	Filter Screen Assembly, 100 Micron (includes Key No. 21) *
	7298824	Filter Screen Assembly, 150 Micron (includes Key No. 21) *
21	7011086	O-Ring, Filter
22	7139999	Drain Hose, 20 ft.
23	0900431	Clamp, Drain Hose
24	7301368	Bracket, Mounting
25	9006053	Screw, 10-16 AB (2 req.)
26	7302835	AC Power Adaptor *
27	-	Battery, 9 Volt, Standard

* Optional - not included with Automatic Sediment Filter.



REPAIR PARTS LIST

AUTOMATIC SEDIMENT FILTERS - EP-ASF15 & NSASF100 (Current Model)



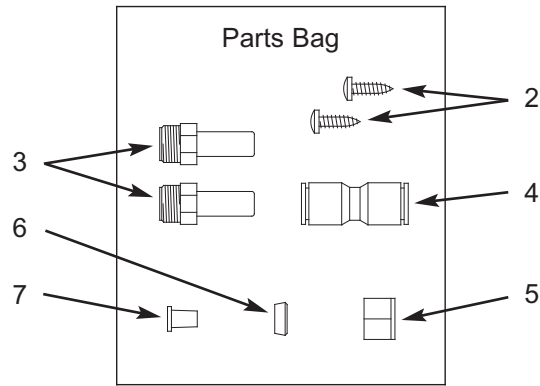
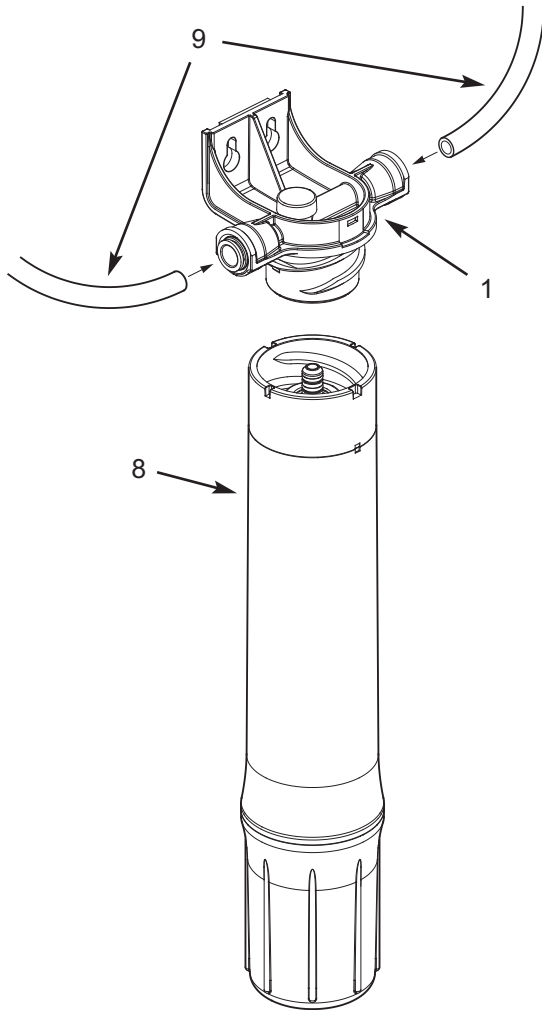
Key No.	Part No.	Description
1	7298442	Top Cover
2	7295177	Electronic Control Board (PWA)
3	7298434	Faceplate (order decal below)
4	107-8402980	Decal, Faceplate, EcoPure
	107-8403889	Decal, Faceplate, North Star
5	7300346	Screw, 6-19 x 1/2" (2 req.)
6	7301596	Solenoid
7	7301758	O-Ring, Solenoid
8	7300338	Screw, 10-16 x 1-1/4" (6 req.)
9	7298426	Valve Cover
10	7301520	Spring
11	7301685	Retainer, Spring
12	7301512	Diaphragm
13	7298418	Valve Body
14	7300320	O-Ring, Valve (2 req.)
15	7272658	Check Valve
16	1073-27-01	Head Assembly
17	7300312	O-Ring, Sump
18	7298395	Sump
19	7300304	Drain Straw
20	7298808	Filter Screen Assembly, 60 Micron (includes Key No. 21)
	7298816	Filter Screen Assembly, 100 Micron (includes Key No. 21) *
	7298824	Filter Screen Assembly, 150 Micron (includes Key No. 21) *
21	7011086	O-Ring, Filter
22	7139999	Drain Hose, 20 ft.
23	0900431	Clamp, Drain Hose
24	1073-27-03	Bracket, Mounting
25	9006053	Screw, 10-16 AB (2 req.)
26	7302835	AC Power Adaptor *
27	-	Battery, 9 Volt, Standard
28	1042-32-HA	Installation Adaptor (2 req.)
29	1042-32-22	Clip (2 req.)
30	1042-32-HB	Kit, Installation Adaptors & Clips (includes 2 ea. of Key Nos. 28 & 29)

* Optional - not included with Automatic Sediment Filter.



REPAIR PARTS LIST

FULL FLOW WATER FILTRATION SYSTEM - NSDW300

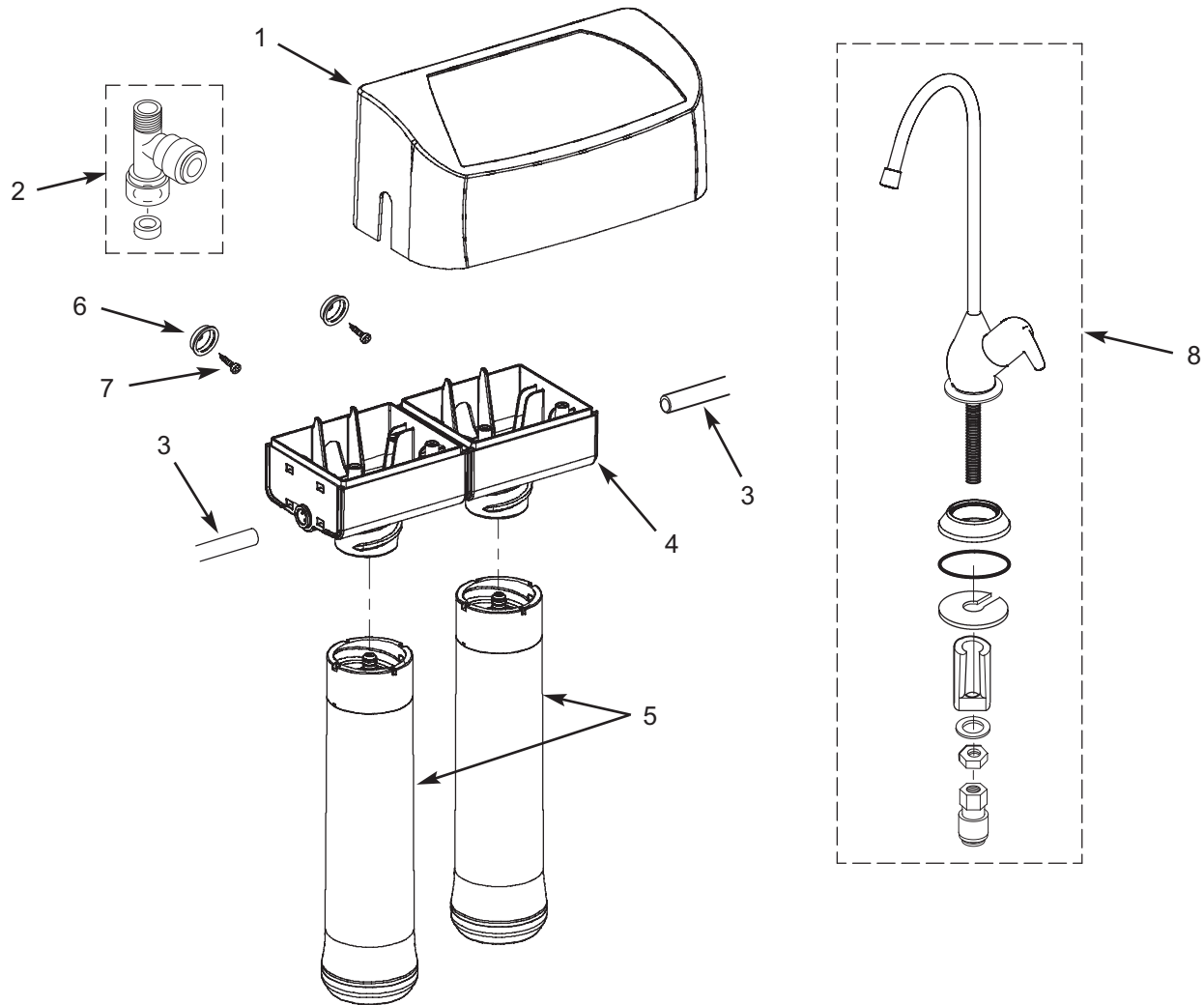


Key No.	Part No.	Description
1	1042-45-HA	Head Assembly with Quick Connect Fittings
-	1147-02-AA	Parts Bag (includes Key Nos. 2-7)
2	↑	Mounting Screws (2)
3	↑	Water Supply Adaptor (2, including 1 spare)
4	↑	Union Connector, 3/8" to 3/8"
5	↑	Compression Nut, 3/8"
6	↑	Ferrule, Plastic, 3/8"
7	↑	Tubing Insert, 3/8"
8	7358284	Repl. Filter Cartridge, Taste & Odor
9	7168435	Tubing, 3/8" OD x 72" long, White



REPAIR PARTS LIST

UNDERSINK DRINKING WATER FILTER - NSDW500



Key No.	Part No.	Description
1	7276262	Cover (order decal below)
-	107-8404138	Decal, Cover
2	119-8600088	Water Supply Fitting, 3/8" Q.C.
3	7168435	Tubing, 3/8" x 72" long, White
4	7280106	Head Assembly
5	7358195	Rep'l Filter Cartridge (2 pack)

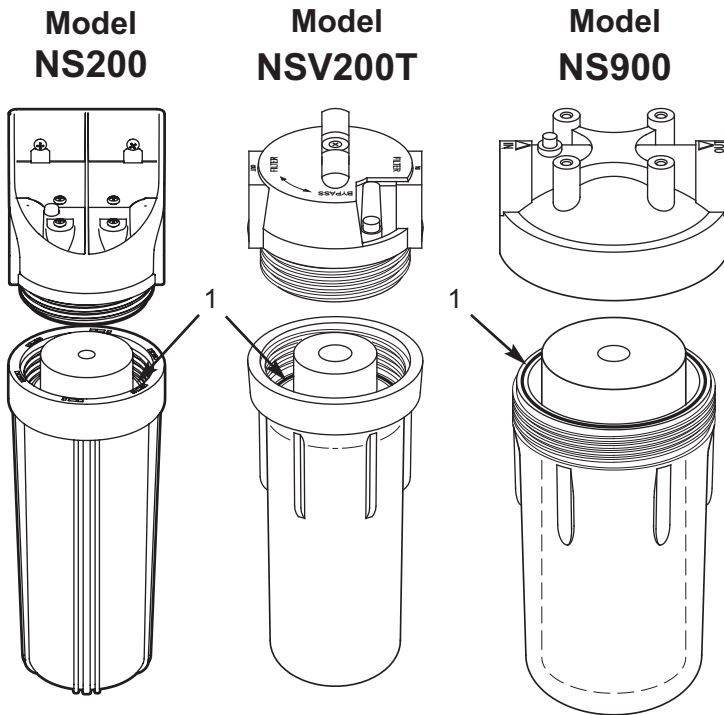
Key No.	Part No.	Description
-	7333129	Mounting Hardware Kit (includes 2 ea. of Key Nos. 6 & 7)
6	↑	Hanger Washer (2 req'd)
7	↑	Screw (2 req'd)
8	WHEFCHR	Faucet, Chrome *
	WHEFSAT	Faucet, Brushed Nickel *

* Optional faucets - not included with filter.



REPAIR PARTS LIST

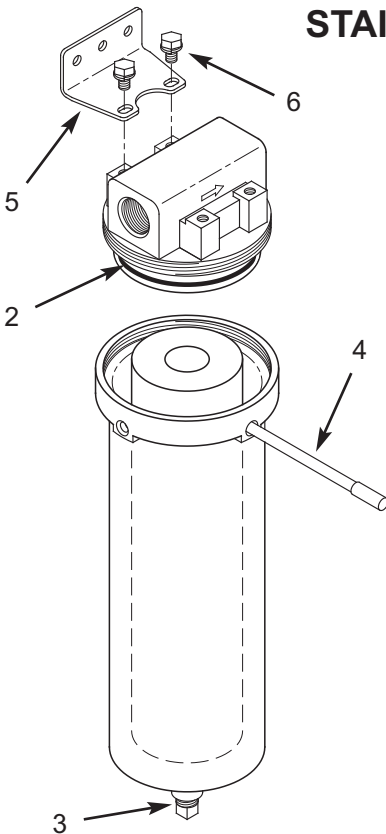
WHOLE HOME WATER FILTERS - NS200, NSV200T, & NS900



Key No.	Part No.	Description
1	7363425	Repl. O-Ring Kit
■	EPUSW00	Sump Removal Wrench
■	EP2BR00	Mounting Bracket, Metal, * for NS200 & NSV200T

■ Not illustrated.

* Optional - not included with filter.



STAINLESS STEEL WHOLE HOME WATER FILTERS NSSS10 & NSSS20

Key No.	Part No.	Description
2	7366407	O-Ring
3	7366415	Drain Plug
-	7366423	Wrench, Bracket & Screw Kit for NSSS10 & NSSS20 (includes Key Nos. 4-6)
4	↑	Sump Removal Wrench
5	↑	Mounting Bracket
6	↑	Screw (2)