

FYH[®]

NU-LOC[®]

NU Concentric-LOC BALL BEARING UNITS



***EASY INSTALLATION
360° SHAFT CONTACT
TRUE CONCENTRIC LOCK***

CATALOG NO.3401

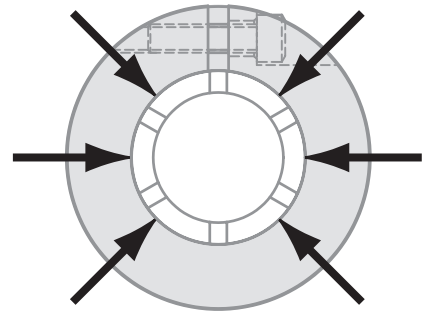


fyhbearings.com



Uniform LOC

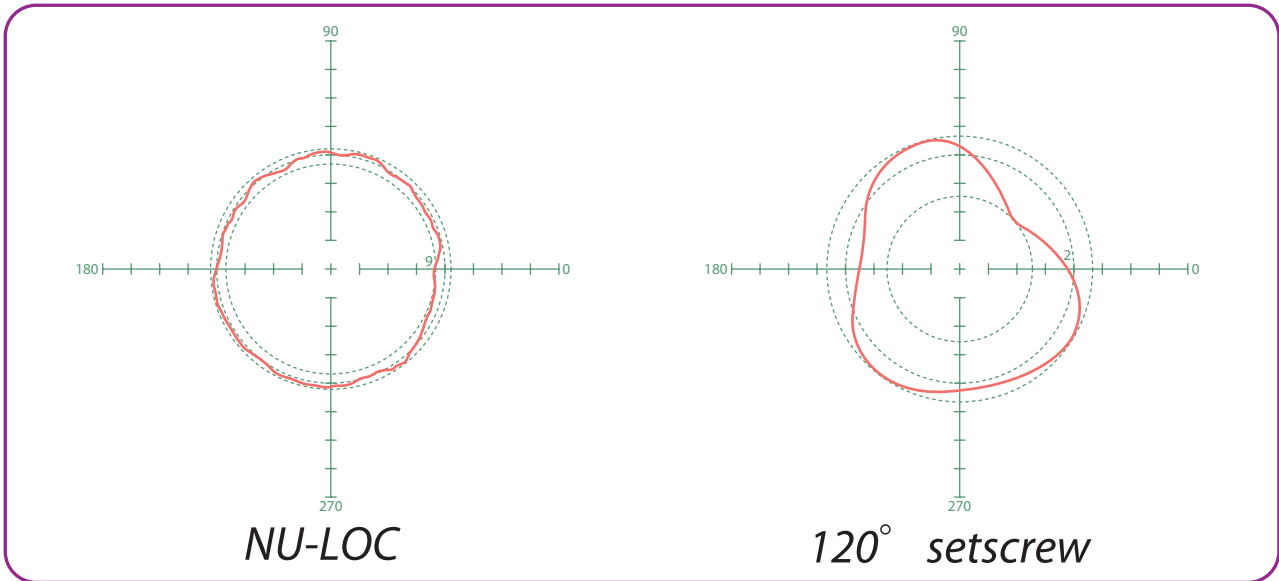
The FYH NU-LOC bearing grips the shaft more uniformly, which allows 360 degrees of equalized locking contact. The roundness of the ball path on NU-LOC bearings results in better operation and longer life. NU-LOC concentric locking collars are designed to prevent shaft marring and burring. A single standard hex head cap screw can be tightened quickly and easily. NU-LOC bearings can replace either setscrew or eccentric locking collar inserts.



360° LOCKING

NU-LOC concentric locking collar with a single cap screw provides great holding power. The collar is installed over the slotted inner ring on the shaft concentrically.

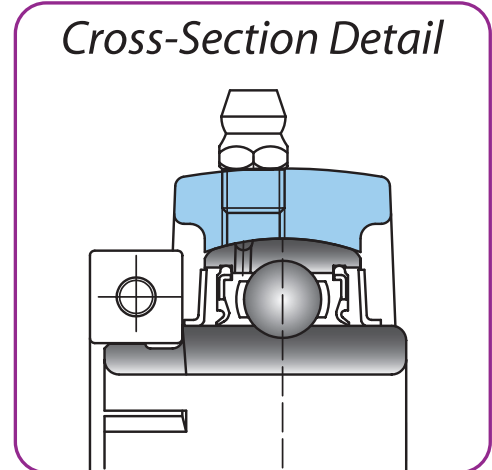
Ballpath Roundness

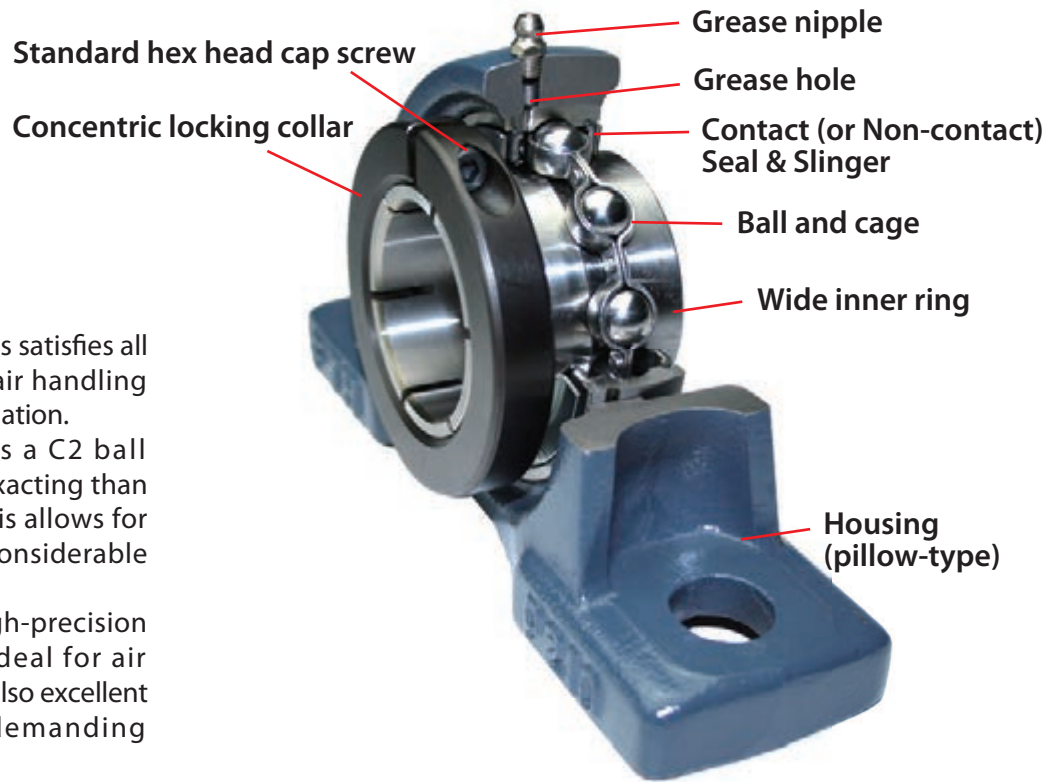


Quick & Easy Installation with a single hex cap screw.



Cross-Section Detail






The standard NU-LOC series satisfies all the specifications of our air handling series under the "S3" designation.

This series incorporates a C2 ball clearance which is more exacting than the standard style, and this allows for quieter operation and a considerable reduction of vibration.

The NU-LOC series is a high-precision design and, while it is ideal for air handling applications, it is also excellent for many more highly demanding applications.

SUFFIX							
P18	S3	P18 is the suffix code that designates smaller bore tolerance which allows for a tighter fit with the shaft. This, in turn, reduces vibration and noise and dramatically increases bearing life.					
		Tolerance and tolerance values of inner rings of P18 suffix (unit: μm)					
		Nominal bearing bore dia. d (mm)		Variation of tolerance of average bore dia. in plane Δd_{mp}		Unequal bore dia. in plane V_{dp}	Radial runout of inner ring K_{ia}
		Over	Incl.	Max.	Min.	Max.	Max.
–	10	+13	0	6	7		
10	18	+13	0	6	8		
18	31.75	+13	0	10	10		
31.75	50.8	+15	0	10	10		
50.8	80	+18	0	14	13		
P11	C2	Tolerance and tolerance values of inner rings of ISO standard (unit: μm)					
		Nominal bearing bore dia. d (mm)		Variation of tolerance of average bore dia. in plane Δd_{mp}		Unequal bore dia. in plane V_{dp}	Radial runout of inner ring K_{ia}
		Over	Incl.	Max.	Min.	Max.	Max.
		–	10	+15	0	10	10
10	18	+15	0	10	15		
18	31.75	+18	0	12	18		
31.75	50.8	+21	0	14	20		
50.8	80	+24	0	16	25		
		The anti-rotation pin, in conjunction with the standard "J" fit housing, means very secure housing fit in high speed applications.					
		Internal bearing clearance is defined as the allowable space between the rolling elements and the raceways. C2 is smaller clearance than the standard, and it reduces the noise and vibration in high speed applications.					

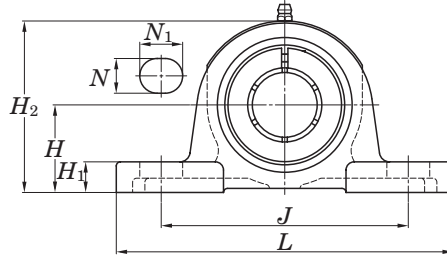
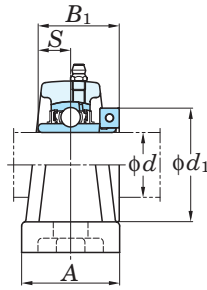


Pillow type units NU-LOC

NCP

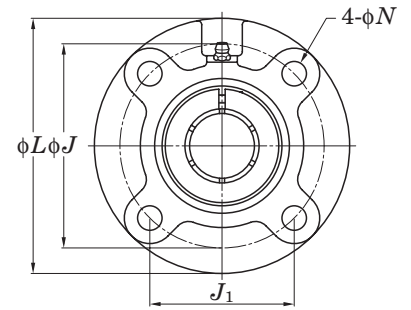
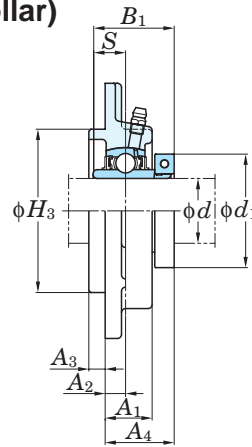
Cylindrical bore (with concentric locking collar)

d 20 ~ 60 mm



Shaft Dia mm inch		Dimensions inch mm										Bolt Size	Unit No.	Housing No.	Bearing No.	Mass	
d		H	L	A	J	N	N_1	H_1	H_2	B_1	S	d_1	inch mm				kg
20	3/4	1 5/16	5	1 1/2	3 3/4	1/2	23/32	1/2	2 17/32	1 9/32	0.500	1 3/4	3/8	NCP204-12	P204	NC204-12 NC204	0.80
		33.3	127	38	95	13	18	13	64	32.5	12.7	44.5	M10	NCP204			
25	7/8	1 7/16	5 1/2	1 1/2	4 1/8	1/2	23/32	1/2	2 25/32	1 7/16	0.563	1 15/16	3/8	NCP205-14	P205	NC205-14 NC205-15 NC205	1.0
	15/16													NCP205-15			
	1													NCP205-16			
30	1 1/8	1 11/16	6 1/2	1 7/8	4 3/4	21/32	13/16	19/32	3 5/16	1 9/16	0.626	2 3/16	1/2	NCP206-18	P206	NC206-18 NC206 NC206-19 NC206-20	1.5
	1 3/16													NCP206			
	1 1/4													NCP206-19			
35	1 1/4	1 7/8	6 9/16	1 7/8	5	21/32	13/16	5/8	3 21/32	1 3/4	0.689	2 7/16	1/2	NCP207-20	P207	NC207-20	1.9
														NCP207			
	1 3/8													NCP207-22			
40	1 1/2	1 15/16	7 1/4	2 1/8	5 13/32	21/32	13/16	21/32	3 27/32	2	0.748	2 11/16	1/2	NCP208-24	P208	NC208-24 NC208	2.4
														NCP208			
45	1 5/8	2 1/8	7 15/32	2 1/8	5 3/4	21/32	13/16	21/32	4 3/16	2	0.748	2 13/16	1/2	NCP209-26	P209	NC209-26	2.6
														NCP209			
	1 11/16													NCP209-27			
50	1 3/4	2 1/8	7 15/32	2 1/8	5 3/4	21/32	13/16	21/32	4 3/16	2	0.748	2 15/16	1/2	NCP209-28	P209	NC209-28 NC209	2.6
														NCP209			
55	1 15/16	2 1/4	8 1/8	2 3/8	6 1/4	25/32	7/8	3/4	4 7/16	2 3/32	0.748	3 3/8	5/8	NCP210-31	P210	NC210-31 NC210 NC210-32	3.5
	2													NCP210			
														NCP210-32			
60	2	2 1/2	8 5/8	2 3/8	6 23/32	25/32	7/8	3/4	4 29/32	2 1/4	0.874	3 1/2	5/8	NCP211-32	P211	NC211-32	4.0
														NCP211			
60	2 3/16	2 3/4	9 1/2	2 3/4	7 1/4	25/32	31/32	7/8	5 7/16	2 5/8	1.000	4 1/16	5/8	NCP212-36	P212	NC212-36	5.6
														NCP212			
	2 1/4													NCP212-39			
60	2 3/4	2 3/4	9 1/2	2 3/4	7 1/4	25/32	31/32	7/8	5 7/16	2 5/8	1.000	4 1/8	5/8	NCP212	P212	NC212 NC212-39	5.6
														NCP212-39			

**Round flange cartridge type units NU-LOC
NCFC**
Cylindrical bore (with concentric locking collar)
 d 20 ~ 60 mm

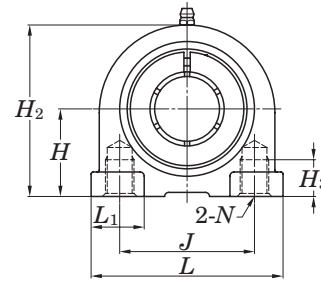
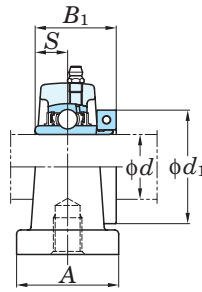
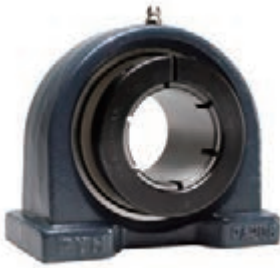


Shaft Dia mm inch		Dimensions inch mm												Bolt Size inch mm	Unit No.	Housing No.	Bearing No.	Mass kg	
d		L	H_3	J	J_1	N	A_1	A_2	A_3	A_4	B_1	S	d_1						
20	3/4	3 15/16	2.4409	3 5/64	2 11/64	15/32	13/16	25/64	13/64	1 3/16	1 9/32	0.500	1 3/4	3/8	NCFC204-12 NCFC204	FC204	NC204-12 NC204	0.87	
		100	62	78	55.1	12	20.5	10	5	29.8	32.5	12.7	44.5	M10					
25	7/8	4 17/32	2.7559	3 35/64	2 1/2	15/32	13/16	25/64	15/64	1 9/32	1 7/16	0.563	1 15/16	3/8	NCFC205-14	FC205	NC205-14	1.2	
	NCFC205-15														NC205-15				
	NCFC205-16														NC205-16				
	15/16	115	70	90	63.6	12	21	10	6	32.2	36.5	14.3	49.2	M10					
	1																		
30	1 1/8	4 29/32	3.1496	3 15/16	2 25/32	15/32	29/32	25/64	5/16	1 11/32	1 9/16	0.626	2 3/16	3/8	NCFC206-18	FC206	NC206-18	1.5	
	NCFC206														NC206				
	NCFC206-19														NC206-19				
	1 3/16	125	80	100	70.7	12	23	10	8	33.8	39.7	15.9	55.6	M10					
	1 1/4																		
35	1 1/4	5 5/16	3.5433	4 21/64	3 1/16	35/64	1 1/32	7/16	5/16	1 1/2	1 3/4	0.689	2 7/16	7/16	NCFC207-20	FC207	NC207-20	2.0	
	NCFC207-22														NC207-22				
	NCFC207-23														NC207-23				
	1 3/8	135	90	110	77.8	14	26	11	8	38	44.5	17.5	61.9	M12					
	1 7/16																		
40	1 1/2	5 23/32	3.9370	4 23/32	3 11/32	35/64	1 1/32	7/16	25/64	1 11/16	2	0.748	2 11/16	7/16	NCFC208-24	FC208	NC208-24	2.4	
	NCFC208														NC208				
	1 5/8	145	100	120	84.8	14	26	11	10	42.8	50.8	19	68.3	M12					
45	1 5/8	6 5/16	4.1339	5 13/64	3 43/64	5/8	1 1/32	25/64	15/32	1 21/32	2	0.748	2 13/16	1/2	NCFC209-26	FC209	NC209-26	3.0	
	NCFC209-27														NC209-27				
	NCFC209-28														NC209-28				
	1 11/16	160	105	132	93.3	16	26	10	12	41.8	50.8	19	71.4	M14					
	1 3/4																		
50	1 15/16	6 1/2	4.3307	5 7/16	3 27/32	5/8	1 3/32	25/64	15/32	1 3/4	2 3/32	0.748	3 3/8	1/2	NCFC210-31	FC210	NC210-31	3.5	
	NCFC210														NC210				
	NCFC210-32														NC210-32				
	2	165	110	138	97.6	16	28	10	12	44.1	53.1	19	85.7	M14					
55	2	7 9/32	4.9213	5 29/32	4 11/64	3/4	1 7/32	33/64	15/32	1 7/8	2 1/4	0.874	3 1/2	5/8	NCFC211-32	FC211	NC211-32	4.6	
	NCFC211														NC211				
	NCFC211-35														NC211-35				
	2 3/16	185	125	150	106.1	19	31	13	12	47.9	57.1	22.2	88.9	M16					
60	2 1/4	7 11/16	5.3150	6 19/64	4 29/64	3/4	1 13/32	43/64	15/32	2 9/32	2 5/8	1.000	4 1/16	5/8	NCFC212-36	FC212	NC212-36	5.7	
	NCFC212														NC212				
	NCFC212-39														NC212-39				
	2 7/16	195	135	160	113.1	19	36	17	12	58.3	66.7	25.4	103.2	M16					

NCFCF (For USA) is also available. Contact FYH for unit specifications.



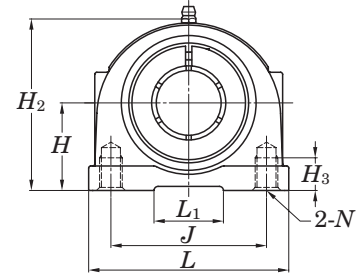
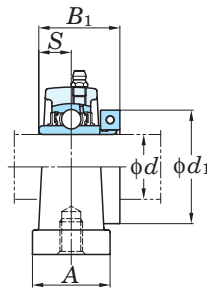
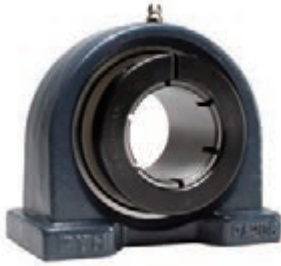
Tapped-base pillow type units NU-LOC
NCPA
Cylindrical bore (with concentric locking collar)
d 20 ~ 50 mm



Shaft Dia		Dimensions										Unit No.	Housing No.	Bearing No.	Mass	
mm	inch	inch mm														kg
<i>d</i>		<i>H</i>	<i>L</i>	<i>A</i>	<i>J</i>	<i>N</i>	<i>H</i> ₂	<i>H</i> ₃	<i>L</i> ₁	<i>B</i> ₁	<i>S</i>	<i>d</i> ₁				
20	3/4	1 3/16	3	1 9/16	2 3/64	M10×1.5	2 3/8	1/2	1 1/16	1 9/32	0.500	1 3/4	NCPA204-12 NCPA204	PA204	NC204-12 NC204	0.73
		30.2	76	40	52		60	13	27	32.5	12.7	44.5				
25	7/8	1 7/16	3 5/16	1 25/32	2 13/64	M10×1.5	2 25/32	1/2	1 3/16	1 7/16	0.563	1 15/16	NCPA205-14 NCPA205-15 NCPA205 NCPA205-16	PA205	NC205-14 NC205-15 NC205 NC205-16	1.0
	15/16															
	1															
30	1 1/8	1 11/16	3 11/16	1 31/32	2 19/32	M14×2	3 5/16	23/32	1 13/32	1 9/16	0.626	2 3/16	NCPA206-18 NCPA206 NCPA206-19 NCPA206-20	PA206	NC206-18 NC206 NC206-19 NC206-20	1.4
	1 3/16															
	1 1/4															
35	1 1/4	1 7/8	3 11/32	2 5/32	3 5/32	M14×2	3 21/32	25/32	1 5/8	1 3/4	0.689	2 7/16	NCPA207-20	PA207	NC207-20	2.0
	1 3/8															
40	1 1/2	1 15/16	4 9/16	2 9/32	3 5/16	M14×2	3 15/16	25/32	1 5/8	2	0.748	2 11/16	NCPA208-24 NCPA208	PA208	NC208-24 NC208	2.4
	1 5/8															
45	1 5/8	2 9/64	4 23/32	2 3/8	3 35/64	M14×2	4 3/16	31/32	1 21/32	2	0.748	2 13/16	NCPA209-26	PA209	NC209-26	2.6
	1 11/16															
50	1 3/4	2 9/64	4 23/32	2 3/8	3 35/64	M14×2	4 3/16	31/32	1 21/32	2	0.748	2 15/16	NCPA209-27 NCPA209-28 NCPA209	PA209	NC209-27 NC209-28 NC209	2.6
	1 15/16															
	2	2 1/4	5 1/8	2 17/32	3 45/64	M16×2	4 7/16	31/32	1 27/32	2 3/32	0.748	3 3/8	NCPA210-31 NCPA210 NCPA210-32	PA210	NC210-31 NC210 NC210-32	3.4

Tapped-base pillow type units NU-LOC
 NCPAN
 Cylindrical bore (with concentric locking collar)
 d 20 ~ 35 mm

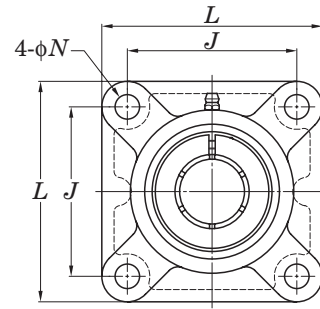
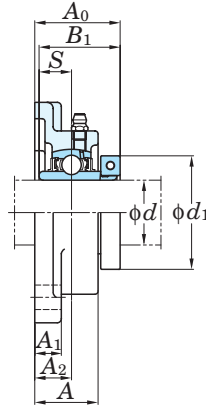
For USA



Shaft Dia		Dimensions											Unit No.	Housing No.	Bearing No.	Mass
mm	inch	inch mm														
d		H	L	A	J	N	H_2	H_3	L_1	B_1	S	d_1				kg
20	$3/4$	$1\ 5/16$	$2\ 9/16$	$1\ 1/4$	2	$3/8$ -16UNC	$2\ 17/32$	$1/2$	$7/8$	$1\ 9/32$	0.500	$1\ 3/4$	NCPAN204-12	PAN204	NC204-12 NC204	0.80
			33.3	65	32	50.8		64	12.7	22	32.5	12.7	44.5			
25	$7/8$	$1\ 7/16$	$2\ 3/4$	$1\ 13/32$	2	$3/8$ -16UNC	$2\ 3/4$	$1/2$	$15/16$	$1\ 7/16$	0.563	$1\ 15/16$	NCPAN205-14	PAN205	NC205-14 NC205-15 NC205	1.4
	$15/16$		36.5	70	36	50.8		70	13	24	36.5	14.3	49.2			
	1															
30	$1\ 1/8$	$1\ 11/16$	$3\ 27/32$	$1\ 1/2$	3	$7/16$ -14UNC	$3\ 7/32$	$5/8$	$1\ 11/32$	$1\ 9/16$	0.626	$2\ 3/16$	NCPAN206-18	PAN206	NC206-18 NC206 NC206-19 NC206-20	1.9
	$1\ 3/16$		42.9	98	38	76.2		82	16	34	39.7	15.9	55.6			
	$1\ 1/4$															
35	$1\ 1/4$	$1\ 7/8$	$4\ 11/32$	$1\ 7/8$	$3\ 1/4$	$1/2$ -13UNC	$3\ 21/32$	$3/4$	$1\ 3/32$	$1\ 3/4$	0.689	$2\ 7/16$	NCPAN207-20	PAN207	NC207-20	2.3
			47.6	110	48	82.6		93	19	28	44.5	17.5	61.9			
	$1\ 3/8$															
	$1\ 7/16$	$1\ 7/8$	$4\ 11/32$	$1\ 7/8$	$3\ 1/4$	$1/2$ -13UNC	$3\ 21/32$	$3/4$	$1\ 3/32$	$1\ 3/4$	0.689	$2\ 9/16$	NCPAN207-22	PAN207	NC207-22 NC207	2.3
		47.6	110	48	82.6		93	19	28	44.5	17.5	65.1				



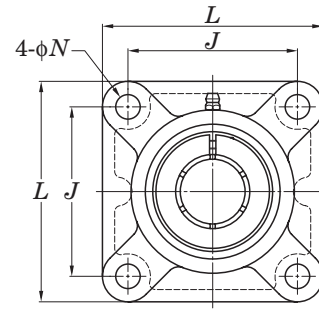
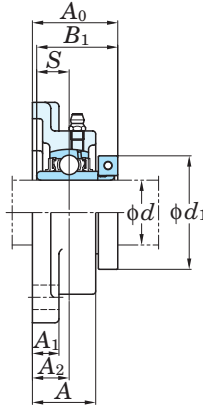
**Square four-bolt flange type units NU-LOC
NCF**
Cylindrical bore (with concentric locking collar)
 d 20 ~ 60 mm



Shaft Dia mm inch		Dimensions inch mm										Bolt Size inch mm	Unit No.	Housing No.	Bearing No.	Mass kg
d		L	A	J	N	A_1	A_2	A_0	B_1	S	d_1					
20	3/4	3 3/8 86	1 25.5	2 33/64 64	15/32 12	7/16 11	19/32 15	1 3/8 34.8	1 9/32 32.5	0.500 12.7	1 3/4 44.5	3/8 M10	NCF204-12 NCF204	F204	NC204-12 NC204	0.73
	7/8 15/16	3 3/4 95	1 1/16 27	2 3/4 70	15/32 12	1/2 13	5/8 16	1 1/2 38.2	1 7/16 36.5	0.563 14.3	1 15/16 49.2	3/8 M10	NCF205-14 NCF205-15 NCF205	F205	NC205-14 NC205-15 NC205	1.0
30	1 1/8	4 1/4 108	1 7/32 31	3 17/64 83	15/32 12	1/2 13	45/64 18	1 21/32 41.8	1 9/16 39.7	0.626 15.9	2 3/16 55.6	3/8 M10	NCF206-18 NCF206 NCF206-19	F206	NC206-18 NC206 NC206-19	1.3
	1 3/16	4 19/32 117	1 11/32 34	3 5/8 92	35/64 14	19/32 15	3/4 19	1 13/16 46	1 3/4 44.5	0.689 17.5	2 7/16 61.9	7/16 M12	NCF207-20	F207	NC207-20	1.8
	1 7/16	4 19/32 117	1 11/32 34	3 5/8 92	35/64 14	19/32 15	3/4 19	1 13/16 46	1 3/4 44.5	0.689 17.5	2 9/16 65.1	7/16 M12	NCF207-22 NCF207 NCF207-23	F207	NC207-22 NC207 NC207-23	1.8
40	1 1/2	5 1/8 130	1 13/32 36	4 1/64 102	5/8 16	19/32 15	53/64 21	2 3/32 52.8	2 50.8	0.748 19	2 11/16 68.3	1/2 M14	NCF208-24 NCF208	F208	NC208-24 NC208	2.3
	1 5/8	5 13/32 137	1 1/2 38	4 9/64 105	5/8 16	5/8 16	55/64 22	2 1/8 53.8	2 50.8	0.748 19	2 13/16 71.4	1/2 M14	NCF209-26	F209	NC209-26	2.6
45	1 11/16	5 13/32 137	1 1/2 38	4 9/64 105	5/8 16	5/8 16	55/64 22	2 1/8 53.8	2 50.8	0.748 19	2 15/16 74.6	1/2 M14	NCF209-27 NCF209-28 NCF209	F209	NC209-27 NC209-28 NC209	2.6
	1 3/4	5 13/32 137	1 1/2 38	4 9/64 105	5/8 16	5/8 16	55/64 22	2 1/8 53.8	2 50.8	0.748 19	2 15/16 74.6	1/2 M14	NCF209-27 NCF209-28 NCF209	F209	NC209-27 NC209-28 NC209	2.6
50	1 15/16	5 5/8 143	1 9/16 40	4 3/8 111	5/8 16	5/8 16	55/64 22	2 7/32 56.1	2 3/32 53.1	0.748 19	3 3/8 85.7	1/2 M14	NCF210-31 NCF210 NCF210-32	F210	NC210-31 NC210 NC210-32	3.1
	2	6 3/8 162	1 11/16 43	5 1/8 130	3/4 19	23/32 18	63/64 25	2 11/32 59.9	2 1/4 57.1	0.874 22.2	3 1/2 88.9	5/8 M16	NCF211-32	F211	NC211-32	3.8
55	2 3/16	6 3/8 162	1 11/16 43	5 1/8 130	3/4 19	23/32 18	63/64 25	2 11/32 59.9	2 1/4 57.1	0.874 22.2	3 5/8 92.1	5/8 M16	NCF211 NCF211-35	F211	NC211 NC211-35	3.8
	2 1/4	6 7/8 175	1 7/8 48	5 5/8 143	3/4 19	23/32 18	1 9/64 29	2 25/32 70.3	2 5/8 66.7	1.000 25.4	4 1/16 103.2	5/8 M16	NCF212-36	F212	NC212-36	4.9
60	2 1/4	6 7/8 175	1 7/8 48	5 5/8 143	3/4 19	23/32 18	1 9/64 29	2 25/32 70.3	2 5/8 66.7	1.000 25.4	4 1/8 104.8	5/8 M16	NCF212 NCF212-39	F212	NC212 NC212-39	4.9
	2 7/16	6 7/8 175	1 7/8 48	5 5/8 143	3/4 19	23/32 18	1 9/64 29	2 25/32 70.3	2 5/8 66.7	1.000 25.4	4 1/8 104.8	5/8 M16	NCF212 NCF212-39	F212	NC212 NC212-39	4.9

**Square four-bolt flange type units NU-LOC
NCF-E**
Cylindrical bore (with concentric locking collar)
 d 20 ~ 60 mm

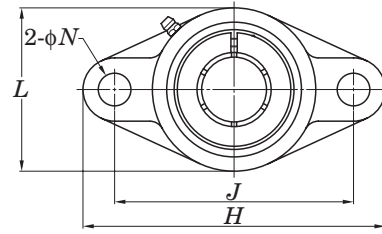
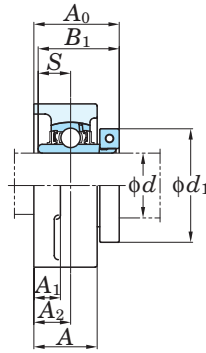
For USA



Shaft Dia		Dimensions										Bolt Size	Unit No.	Housing No.	Bearing No.	Mass
mm	inch	inch mm														
d		L	A	J	N	A_1	A_2	A_0	B_1	S	d_1	inch mm				kg
20	$3/4$	$3\ 3/8$	1	$2\ 33/64$	$7/16$	$7/16$	$19/32$	$1\ 3/8$	$1\ 9/32$	0.500	$1\ 3/4$	$3/8$	NCF204-12E NCF204E	F204E	NC204-12 NC204	0.73
		86	25.5	64	11	11	15	34.8	32.5	12.7	44.5	-				
25	$7/8$	$3\ 3/4$	$1\ 1/16$	$2\ 3/4$	$15/32$	$1/2$	$5/8$	$1\ 1/2$	$1\ 7/16$	0.563	$1\ 15/16$	$3/8$	NCF205-14 NCF205-15 NCF205 NCF205-16	F205	NC205-14 NC205-15 NC205 NC205-16	1.0
	$15/16$	95	27	70	12	13	16	38.2	36.5	14.3	49.2	M10				
30	$1\ 1/8$	$4\ 1/4$	$1\ 7/32$	$3\ 17/64$	$33/64$	$1/2$	$45/64$	$1\ 21/32$	$1\ 9/16$	0.626	$2\ 3/16$	$7/16$	NCF206-18E NCF206E NCF206-19E NCF206-20E	F206E	NC206-18 NC206 NC206-19 NC206-20	1.3
	$1\ 3/16$	108	31	83	13	13	18	41.8	39.7	15.9	55.6	-				
35	$1\ 1/4$	$4\ 19/32$	$1\ 11/32$	$3\ 5/8$	$33/64$	$19/32$	$3/4$	$1\ 13/16$	$1\ 3/4$	0.689	$2\ 7/16$	$7/16$	NCF207-20E	F207E	NC207-20	1.8
		117	34	92	13	15	19	46	44.5	17.5	61.9	-				
40	$1\ 3/8$	$4\ 19/32$	$1\ 11/32$	$3\ 5/8$	$33/64$	$19/32$	$3/4$	$1\ 13/16$	$1\ 3/4$	0.689	$2\ 9/16$	$7/16$	NCF207-22E NCF207E NCF207-23E	F207E	NC207-22 NC207 NC207-23	1.8
	$1\ 7/16$	117	34	92	13	15	19	46	44.5	17.5	65.1	-				
45	$1\ 1/2$	$5\ 1/8$	$1\ 13/32$	$4\ 1/64$	$35/64$	$19/32$	$53/64$	$2\ 3/32$	2	0.748	$2\ 11/16$	$1/2$	NCF208-24E NCF208E	F208E	NC208-24 NC208	2.3
		130	36	102	14	15	21	52.8	50.8	19	68.3	-				
50	$1\ 5/8$	$5\ 13/32$	$1\ 1/2$	$4\ 9/64$	$5/8$	$5/8$	$55/64$	$2\ 1/8$	2	0.748	$2\ 13/16$	$1/2$	NCF209-26	F209	NC209-26	2.6
		137	38	105	16	16	22	53.8	50.8	19	71.4	M14				
55	$1\ 11/16$	$5\ 13/32$	$1\ 1/2$	$4\ 9/64$	$5/8$	$5/8$	$55/64$	$2\ 1/8$	2	0.748	$2\ 15/16$	$1/2$	NCF209-27 NCF209-28 NCF209	F209	NC209-27 NC209-28 NC209	2.6
	$1\ 3/4$	137	38	105	16	16	22	53.8	50.8	19	74.6	M14				
60	$1\ 15/16$	$5\ 5/8$	$1\ 9/16$	$4\ 3/8$	$5/8$	$5/8$	$55/64$	$2\ 7/32$	$2\ 3/32$	0.748	$3\ 3/8$	$1/2$	NCF210-31 NCF210 NCF210-32	F210	NC210-31 NC210 NC210-32	3.1
	2	143	40	111	16	16	22	56.1	53.1	19	85.7	M14				
60	2	$6\ 3/8$	$1\ 11/16$	$5\ 1/8$	$43/64$	$23/32$	$63/64$	$2\ 11/32$	$2\ 1/4$	0.874	$3\ 1/2$	$5/8$	NCF211-32E	F211E	NC211-32	3.8
		162	43	130	17	18	25	59.9	57.1	22.2	88.9	-				
60	$2\ 3/16$	$6\ 3/8$	$1\ 11/16$	$5\ 1/8$	$43/64$	$23/32$	$63/64$	$2\ 11/32$	$2\ 1/4$	0.874	$3\ 5/8$	$5/8$	NCF211E NCF211-35E	F211E	NC211 NC211-35	3.8
		162	43	130	17	18	25	59.9	57.1	22.2	92.1	-				
60	$2\ 1/4$	$6\ 7/8$	$1\ 7/8$	$5\ 5/8$	$43/64$	$23/32$	$1\ 9/64$	$2\ 25/32$	$2\ 5/8$	1.000	$4\ 1/16$	$5/8$	NCF212-36E	F212E	NC212-36	4.9
		175	48	143	17	18	29	70.3	66.7	25.4	103.2	-				
60	$2\ 7/16$	$6\ 7/8$	$1\ 7/8$	$5\ 5/8$	$43/64$	$23/32$	$1\ 9/64$	$2\ 25/32$	$2\ 5/8$	1.000	$4\ 1/8$	$5/8$	NCF212E NCF212-39E	F212E	NC212 NC212-39	4.9
		175	48	143	17	18	29	70.3	66.7	25.4	104.8	-				



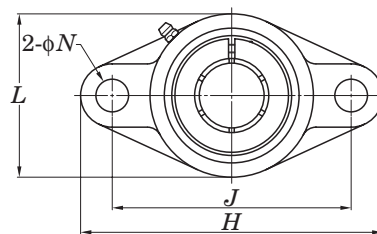
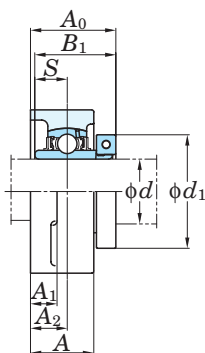
**Oval tow-bolt flange type units NU-LOC
NCFL**
Cylindrical bore (with concentric locking collar)
 d 20 ~ 60 mm



Shaft Dia mm inch	Dimensions inch mm											Bolt Size inch mm	Unit No.	Housing No.	Bearing No.	Mass kg	
	d	H	L	A	J	N	A_1	A_2	A_0	B_1	S						d_1
20 3/4	4 7/16	2 3/8	1	3 35/64	15/32	7/16	19/32	1 3/8	1 9/32	0.500	1 3/4	3/8	NCFL204-12 NCFL204	FL204	NC204-12 NC204	0.62	
	113	60	25.5	90	12	11	15	34.8	32.5	12.7	44.5	M10					
25 7/8 15/16 1	5 1/8	2 11/16	1 1/16	3 57/64	5/8	1/2	5/8	1 1/2	1 7/16	0.563	1 15/16	1/2	NCFL205-14 NCFL205-15 NCFL205 NCFL205-16	FL205	NC205-14 NC205-15 NC205 NC205-16	0.84	
	130	68	27	99	16	13	16	38.2	36.5	14.3	49.2	M14					
	1 1/8	5 13/16	3 5/32	1 7/32	4 39/64	5/8	1/2	45/64	1 21/32	1 9/16	0.626	2 3/16					1/2
30 1 3/16 1 1/4	148	80	31	117	16	13	18	41.8	39.7	15.9	55.6	M14	NCFL206-18 NCFL206 NCFL206-19 NCFL206-20	FL206	NC206-18 NC206 NC206-19 NC206-20	1.1	
	1 1/4	6 11/32	3 17/32	1 11/32	5 1/8	5/8	9/16	3/4	1 13/16	1 3/4	0.689	2 7/16					1/2
35 1 3/8 1 7/16	161	90	34	130	16	14	19	46	44.5	17.5	61.9	M14	NCFL207-20 NCFL207 NCFL207-23	FL207	NC207-20 NC207 NC207-23	1.5	
	1 3/8	6 11/32	3 17/32	1 11/32	5 1/8	5/8	9/16	3/4	1 13/16	1 3/4	0.689	2 9/16					1/2
	1 7/16	161	90	34	130	16	14	19	46	44.5	17.5	65.1					M14
40 1 1/2	6 7/8	3 15/16	1 13/32	5 43/64	5/8	9/16	53/64	2 3/32	2	0.748	2 11/16	1/2	NCFL208-24 NCFL208	FL208	NC208-24 NC208	2.0	
	175	100	36	144	16	14	21	52.8	50.8	19	68.3	M14					
45 1 5/8 1 11/16 1 3/4	7 13/32	4 1/4	1 1/2	5 53/64	3/4	19/32	55/64	2 1/8	2	0.748	2 13/16	5/8	NCFL209-26 NCFL209-27 NCFL209-28 NCFL209	FL209	NC209-26 NC209-27 NC209-28 NC209	2.3	
	188	108	38	148	19	15	22	53.8	50.8	19	71.4	M16					
	1 11/16	7 13/32	4 1/4	1 1/2	5 53/64	3/4	19/32	55/64	2 1/8	2	0.748	2 15/16					5/8
50 2	188	108	38	148	19	15	22	53.8	50.8	19	74.6	M16	NCFL210-31 NCFL210 NCFL210-32	FL210	NC210-31 NC210 NC210-32	2.8	
	1 15/16	7 3/4	4 17/32	1 9/16	6 3/16	3/4	19/32	55/64	2 7/32	2 3/32	0.748	3 3/8					5/8
55 2 2 3/16	197	115	40	157	19	15	22	56.1	53.1	19	85.7	M16	NCFL211-32 NCFL211 NCFL211-35	FL211	NC211-32 NC211 NC211-35	3.7	
	2	8 13/16	5 1/8	1 11/16	7 1/4	3/4	23/32	63/64	2 11/32	2 1/4	0.874	3 1/2					5/8
	2 3/16	8 13/16	5 1/8	1 11/16	7 1/4	3/4	23/32	63/64	2 11/32	2 1/4	0.874	3 5/8					5/8
60 2 1/4 2 7/16	224	130	43	184	19	18	25	59.9	57.1	22.2	88.9	M16	NCFL212-36 NCFL212 NCFL212-39	FL212	NC212-36 NC212 NC212-39	4.9	
	2 1/4	9 27/32	5 1/2	1 7/8	7 61/64	29/32	23/32	1 9/64	2 25/32	2 5/8	1.000	4 1/16					3/4
	2 7/16	9 27/32	5 1/2	1 7/8	7 61/64	29/32	23/32	1 9/64	2 25/32	2 5/8	1.000	4 1/8					3/4
	250	140	48	202	23	18	29	70.3	66.7	25.4	103.2	M20				4.9	
	250	140	48	202	23	18	29	70.3	66.7	25.4	104.8	M20				4.9	

Oval tow-bolt flange type units NU-LOC
 NCFL-E
 Cylindrical bore (with concentric locking collar)
 d 20 ~ 60 mm

For USA



Shaft Dia		Dimensions											Bolt Size	Unit No.	Housing No.	Bearing No.	Mass
mm	inch	inch mm															
d		H	L	A	J	N	A_1	A_2	A_0	B_1	S	d_1	inch				kg
20	$3/4$	$4 \frac{7}{16}$	$2 \frac{3}{8}$	1	$3 \frac{17}{32}$	$25/64$	$7/16$	$19/32$	$1 \frac{3}{8}$	$1 \frac{9}{32}$	0.500	$1 \frac{3}{4}$	$5/16$	NCFL204-12E NCFL204E	FL204E	NC204-12 NC204	0.62
		113	60	25.5	89.7	10	11	15	34.8	32.5	12.7	44.5					
25	$7/8$	$5 \frac{1}{8}$	$2 \frac{11}{16}$	$1 \frac{1}{16}$	$3 \frac{57}{64}$	$15/32$	$1/2$	$5/8$	$1 \frac{1}{2}$	$1 \frac{7}{16}$	0.563	$1 \frac{15}{16}$	$3/8$	NCFL205-14E NCFL205-15E NCFL205E NCFL205-16E	FL205E	NC205-14 NC205-15 NC205 NC205-16	0.84
	$15/16$	130	68	27	98.8	12	13	16	38.2	36.5	14.3	49.2					
	1																
30	$1 \frac{1}{8}$	$5 \frac{13}{16}$	$3 \frac{5}{32}$	$1 \frac{7}{32}$	$4 \frac{19}{32}$	$15/32$	$1/2$	$45/64$	$1 \frac{21}{32}$	$1 \frac{9}{16}$	0.626	$2 \frac{3}{16}$	$3/8$	NCFL206-18E NCFL206E NCFL206-19E NCFL206-20E	FL206E	NC206-18 NC206 NC206-19 NC206-20	1.1
	$1 \frac{3}{16}$	148	80	31	116.7	12	13	18	41.8	39.7	15.9	55.6					
	$1 \frac{1}{4}$																
35	$1 \frac{1}{4}$	$6 \frac{11}{32}$	$3 \frac{17}{32}$	$1 \frac{11}{32}$	$5 \frac{1}{8}$	$33/64$	$9/16$	$3/4$	$1 \frac{13}{16}$	$1 \frac{3}{4}$	0.689	$2 \frac{7}{16}$	$7/16$	NCFL207-20E	FL207E	NC207-20	1.5
		161	90	34	130.2	13	14	19	46	44.5	17.5	61.9					
	$1 \frac{3}{8}$																
40	$1 \frac{3}{8}$	$6 \frac{11}{32}$	$3 \frac{17}{32}$	$1 \frac{11}{32}$	$5 \frac{1}{8}$	$33/64$	$9/16$	$3/4$	$1 \frac{13}{16}$	$1 \frac{3}{4}$	0.689	$2 \frac{9}{16}$	$7/16$	NCFL207-22E NCFL207E NCFL207-23E	FL207E	NC207-22 NC207 NC207-23	1.5
		161	90	34	130.2	13	14	19	46	44.5	17.5	65.1					
	$1 \frac{7}{16}$																
45	$1 \frac{1}{2}$	$6 \frac{7}{8}$	$3 \frac{15}{16}$	$1 \frac{13}{32}$	$5 \frac{21}{32}$	$33/64$	$9/16$	$53/64$	$2 \frac{3}{32}$	2	0.748	$2 \frac{11}{16}$	$7/16$	NCFL208-24E NCFL208E	FL208E	NC208-24 NC208	2.0
		175	100	36	143.7	13	14	21	52.8	50.8	19	68.3					
	$1 \frac{5}{8}$																
45	$1 \frac{5}{8}$	$7 \frac{13}{32}$	$4 \frac{1}{4}$	$1 \frac{1}{2}$	$5 \frac{27}{32}$	$19/32$	$19/32$	$55/64$	$2 \frac{1}{8}$	2	0.748	$2 \frac{13}{16}$	$1/2$	NCFL209-26E	FL209E	NC209-26	2.3
		188	108	38	148.4	15	15	22	53.8	50.8	19	71.4					
	$1 \frac{11}{16}$																
50	$1 \frac{3}{4}$	$7 \frac{13}{32}$	$4 \frac{1}{4}$	$1 \frac{1}{2}$	$5 \frac{27}{32}$	$19/32$	$19/32$	$55/64$	$2 \frac{1}{8}$	2	0.748	$2 \frac{15}{16}$	$1/2$	NCFL209-27E NCFL209-28E NCFL209E	FL209E	NC209-27 NC209-28 NC209	2.3
		188	108	38	148.4	15	15	22	53.8	50.8	19	74.6					
	$1 \frac{15}{16}$																
50	$1 \frac{15}{16}$	$7 \frac{3}{4}$	$4 \frac{17}{32}$	$1 \frac{9}{16}$	$6 \frac{3}{16}$	$19/32$	$19/32$	$55/64$	$2 \frac{7}{32}$	$2 \frac{3}{32}$	0.748	$3 \frac{3}{8}$	$1/2$	NCFL210-31E NCFL210E NCFL210-32E	FL210E	NC210-31 NC210 NC210-32	2.8
		197	115	40	157	15	15	22	56.1	53.1	19	85.7					
	2																
55	2	$8 \frac{13}{16}$	$5 \frac{1}{8}$	$1 \frac{11}{16}$	$7 \frac{1}{4}$	$21/32$	$23/32$	$63/64$	$2 \frac{11}{32}$	$2 \frac{1}{4}$	0.874	$3 \frac{1}{2}$	$9/16$	NCFL211-32E	FL211E	NC211-32	3.7
		224	130	43	184	16.5	18	25	59.9	57.1	22.2	88.9					
	$2 \frac{3}{16}$																
60	$2 \frac{3}{16}$	$8 \frac{13}{16}$	$5 \frac{1}{8}$	$1 \frac{11}{16}$	$7 \frac{1}{4}$	$21/32$	$23/32$	$63/64$	$2 \frac{11}{32}$	$2 \frac{1}{4}$	0.874	$3 \frac{5}{8}$	$9/16$	NCFL211E NCFL211-35E	FL211E	NC211 NC211-35	3.7
		224	130	43	184	16.5	18	25	59.9	57.1	22.2	92.1					
	2 $1/4$																
60	$2 \frac{1}{4}$	$9 \frac{27}{32}$	$5 \frac{1}{2}$	$1 \frac{7}{8}$	$7 \frac{61}{64}$	$21/32$	$23/32$	$1 \frac{9}{64}$	$2 \frac{25}{32}$	$2 \frac{5}{8}$	1.000	$4 \frac{1}{16}$	$9/16$	NCFL212-36E	FL212E	NC212-36	4.9
		250	140	48	202	16.5	18	29	70.3	66.7	25.4	103.2					
	$2 \frac{7}{16}$																
60	$2 \frac{7}{16}$	$9 \frac{27}{32}$	$5 \frac{1}{2}$	$1 \frac{7}{8}$	$7 \frac{61}{64}$	$21/32$	$23/32$	$1 \frac{9}{64}$	$2 \frac{25}{32}$	$2 \frac{5}{8}$	1.000	$4 \frac{1}{8}$	$9/16$	NCFL212E NCFL212-39E	FL212E	NC212 NC212-39	4.9
		250	140	48	202	16.5	18	29	70.3	66.7	25.4	104.8					

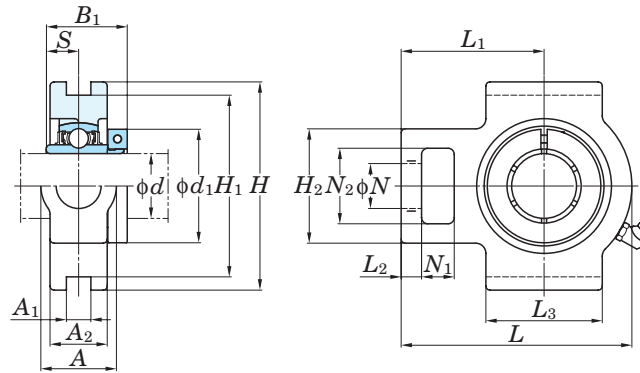


Take-up type units NU-LOC

NCT

Cylindrical bore (with concentric locking collar)

d 20 ~ 60 mm



Shaft Dia mm inch		Dimensions inch mm															Unit No.	Housing No.	Bearing No.	Mass kg	
d		A	A ₁	A ₂	H	H ₁	H ₂	L	L ₁	L ₂	L ₃	N	N ₁	N ₂	B ₁	S					d_1
20	3/4	1 1/4	15/32	13/16	3 1/2	2 63/64	2	3 11/16	2 13/32	13/32	2	3/4	5/8	1 1/4	1 9/32	0.500	1 3/4	NCT204-12 NCT204	T204	NC204-12 NC204	0.90
		32	12	21	89	76	51	94	61	10	51	19	16	32	32.5	12.7	44.5				
25	7/8	1 1/4	15/32	15/16	3 1/2	2 63/64	2	3 13/16	2 7/16	13/32	2	3/4	5/8	1 1/4	1 7/16	0.563	1 15/16	NCT205-14 NCT205-15 NCT205	T205	NC205-14 NC205-15 NC205	1.0
	15/16	32	12	24	89	76	51	97	62	10	51	19	16	32	36.5	14.3	49.2				
	1																	NCT205-16		NC205-16	
30	1 1/8	1 15/32	15/32	1 3/32	4 1/32	3 1/2	2 7/32	4 7/16	2 3/4	13/32	2 1/4	7/8	5/8	1 15/32	1 9/16	0.626	2 3/16	NCT206-18 NCT206 NCT206-19 NCT206-20	T206	NC206-18 NC206 NC206-19 NC206-20	1.5
	1 3/16	37	12	28	102	89	56	113	70	10	57	22	16	37	39.7	15.9	55.6				
	1 1/4																				
35	1 1/4	1 15/32	15/32	1 3/16	4 1/32	3 1/2	2 17/32	5 3/32	3 1/16	1/2	2 17/32	7/8	5/8	1 15/32	1 3/4	0.689	2 7/16	NCT207-20	T207	NC207-20	1.9
		37	12	30	102	89	64	129	78	13	64	22	16	37	44.5	17.5	61.9				
	1 3/8	1 15/32	15/32	1 3/16	4 1/32	3 1/2	2 17/32	5 3/32	3 1/16	1/2	2 17/32	7/8	5/8	1 15/32	1 3/4	0.689	2 9/16	NCT207-22 NCT207 NCT207-23	T207	NC207-22 NC207 NC207-23	1.9
	1 7/16	37	12	30	102	89	64	129	78	13	64	22	16	37	44.5	17.5	65.1				
40	1 1/2	1 15/16	5/8	1 5/16	4 1/2	4 1/64	3 9/32	5 21/32	3 15/32	19/32	3 9/32	1 5/32	3/4	1 15/16	2	0.748	2 11/16	NCT208-24 NCT208	T208	NC208-24 NC208	2.9
		49	16	33	114	102	83	144	88	16	83	29	19	49	50.8	19	68.3				
45	1 5/8	1 15/16	5/8	1 3/8	4 19/32	4 1/64	3 9/32	5 21/32	3 7/16	5/8	3 9/32	1 5/32	3/4	1 15/16	2	0.748	2 13/16	NCT209-26	T209	NC209-26	2.8
		49	16	35	117	102	83	144	87	16	83	29	19	49	50.8	19	71.4				
	1 11/16	1 15/16	5/8	1 3/8	4 19/32	4 1/64	3 9/32	5 21/32	3 7/16	5/8	3 9/32	1 5/32	3/4	1 15/16	2	0.748	2 15/16	NCT209-27 NCT209-28 NCT209	T209	NC209-27 NC209-28 NC209	2.8
	1 3/4	49	16	35	117	102	83	144	87	16	83	29	19	49	50.8	19	74.6				
50	1 15/16	1 15/16	5/8	1 15/32	4 19/32	4 1/64	3 9/32	5 7/8	3 17/32	5/8	3 3/8	1 5/32	3/4	1 15/16	2 3/32	0.748	3 3/8	NCT210-31 NCT210 NCT210-32	T210	NC210-31 NC210 NC210-32	3.2
		49	16	37	117	102	83	149	90	16	86	29	19	49	53.1	19	85.7				
	2	2 17/32	55/64	1 1/2	5 3/4	5 1/8	4 1/32	6 23/32	4 3/16	3/4	3 3/4	1 3/8	31/32	2 17/32	2 1/4	0.874	3 1/2	NCT211-32	T211	NC211-32	4.4
	64	22	38	146	130	102	171	106	19	95	35	25	64	57.1	22.2	88.9					
55		2 17/32	55/64	1 1/2	5 3/4	5 1/8	4 1/32	6 23/32	4 3/16	3/4	3 3/4	1 3/8	31/32	2 17/32	2 1/4	0.874	3 5/8	NCT211 NCT211-35	T211	NC211 NC211-35	4.4
	2 3/16	64	22	38	146	130	102	171	106	19	95	35	25	64	57.1	22.2	92.1				
60	2 1/4	2 17/32	55/64	1 21/32	5 3/4	5 1/8	4 1/32	7 5/8	4 11/16	3/4	4 1/32	1 3/8	1 1/4	2 17/32	2 5/8	1.000	4 1/16	NCT212-36	T212	NC212-36	5.6
		64	22	42	146	130	102	194	119	19	102	35	32	64	66.7	25.4	103.2				
		2 17/32	55/64	1 21/32	5 3/4	5 1/8	4 1/32	7 5/8	4 11/16	3/4	4 1/32	1 3/8	1 1/4	2 17/32	2 5/8	1.000	4 1/8	NCT212 NCT212-39	T212	NC212 NC212-39	5.6
	2 7/16	64	22	42	146	130	102	194	119	19	102	35	32	64	66.7	25.4	104.8				

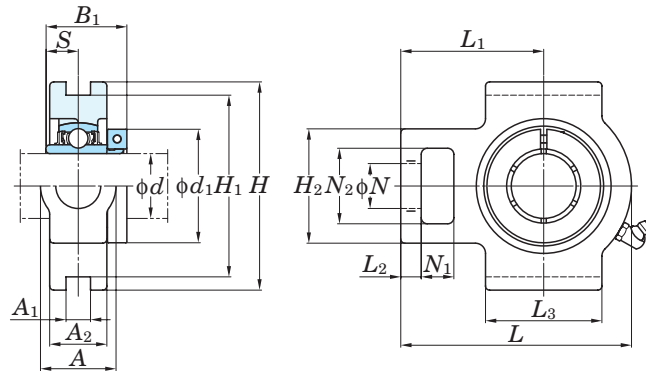
Take-up type units NU-LOC

NCT-E

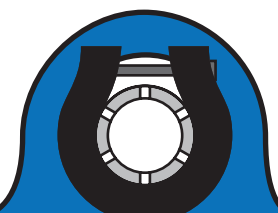
Cylindrical bore (with concentric locking collar)

d 20 ~ 60 mm

For USA



Shaft Dia		Dimensions															Unit No.	Housing No.	Bearing No.	Mass	
mm	inch	inch																			
d		A	A ₁	A ₂	H	H ₁	H ₂	L	L ₁	L ₂	L ₃	N	N ₁	N ₂	B ₁	S	d_1				
20	3/4	1 1/4	17/32	13/16	3 1/2	3	2	3 11/16	2 13/32	13/32	2	3/4	5/8	1 1/4	1 9/16	0.500	1 3/4	NCT204-12E NCT204E	T204E	NC204-12 NC204	0.90
		32	13.5	21	89	76.2	51	94	61	10	51	19	16	32	32.5	12.7	44.5				
25	7/8	1 1/4	17/32	15/16	3 1/2	3	2	3 13/16	2 7/16	13/32	2	3/4	5/8	1 1/4	1 7/16	0.563	1 15/16	NCT205-14E NCT205-15E NCT205E NCT205-16E	T205E	NC205-14 NC205-15 NC205 NC205-16	1.0
	15/16	32	13.5	24	89	76.2	51	97	62	10	51	19	16	32	36.5	14.3	49.2				
	1																				
30	1 1/8	1 15/32	17/32	1 3/32	4 1/32	3 1/2	2 7/32	4 7/16	2 3/4	13/32	2 1/4	7/8	5/8	1 15/32	1 9/16	0.626	2 3/16	NCT206-18E NCT206E NCT206-19E NCT206-20E	T206E	NC206-18 NC206 NC206-19 NC206-20	1.5
	1 3/16	37	13.5	28	102	88.9	56	113	70	10	57	22	16	37	39.7	15.9	55.6				
	1 1/4																				
35	1 1/4	1 15/32	17/32	1 3/16	4 1/32	3 1/2	2 17/32	5 3/32	3 1/16	1/2	2 17/32	7/8	5/8	1 15/32	1 3/4	0.689	2 7/16	NCT207-20E	T207E	NC207-20	1.9
		37	13.5	30	102	88.9	64	129	78	13	64	22	16	37	44.5	17.5	61.9				
	1 3/8	1 15/32	17/32	1 3/16	4 1/32	3 1/2	2 17/32	5 3/32	3 1/16	1/2	2 17/32	7/8	5/8	1 15/32	1 3/4	0.689	2 9/16	NCT207-22E NCT207E NCT207-23E	T207E	NC207-22 NC207 NC207-23	1.9
	1 7/16	37	13.5	30	102	88.9	64	129	78	13	64	22	16	37	44.5	17.5	65.1				
40	1 1/2	1 15/16	11/16	1 5/16	4 1/2	4	3 9/32	5 21/32	3 15/32	5/8	3 9/32	1 5/32	3/4	1 15/16	2	0.748	2 11/16	NCT208-24E NCT208E	T208E	NC208-24 NC208	2.9
		49	17.5	33	114	101.6	83	144	88	16	83	29	19	49	50.8	19	68.3				
45	1 5/8	1 15/16	11/16	1 3/8	4 19/32	4	3 9/32	5 21/32	3 7/16	5/8	3 9/32	1 5/32	3/4	1 15/16	2	0.748	2 13/16	NCT209-26E	T209E	NC209-26	2.8
		49	17.5	35	117	101.6	83	144	87	16	83	29	19	49	50.8	19	71.4				
	1 11/16	1 15/16	11/16	1 3/8	4 19/32	4	3 9/32	5 21/32	3 7/16	5/8	3 9/32	1 5/32	3/4	1 15/16	2	0.748	2 15/16	NCT209-27E NCT209-28E NCT209E	T209E	NC209-27 NC209-28 NC209	2.8
	1 3/4	49	17.5	35	117	101.6	83	144	87	16	83	29	19	49	50.8	19	74.6				
50	1 15/16	1 15/16	11/16	1 15/32	4 19/32	4	3 9/32	5 7/8	3 17/32	5/8	3 3/8	1 5/32	3/4	1 15/16	2 3/32	0.748	3 3/8	NCT210-31E NCT210E NCT210-32E	T210E	NC210-31 NC210 NC210-32	3.2
	2	49	17.5	37	117	101.6	83	149	90	16	86	29	19	49	53.1	19	85.7				
55	2	2 17/32	1 1/16	1 1/2	5 3/4	5 1/8	4 1/32	6 23/32	4 3/16	3/4	3 3/4	1 3/8	31/32	2 17/32	2 1/4	0.874	3 1/2	NCT211-32E	T211E	NC211-32	4.4
		64	27	38	146	130.17	102	171	106	19	95	35	25	64	57.1	22.2	88.9				
	2 3/16	2 17/32	1 1/16	1 1/2	5 3/4	5 1/8	4 1/32	6 23/32	4 3/16	3/4	3 3/4	1 3/8	31/32	2 17/32	2 1/4	0.874	3 5/8	NCT211E NCT211-35E	T211E	NC211 NC211-35	4.4
	2 3/16	64	27	38	146	130.17	102	171	106	19	95	35	25	64	57.1	22.2	92.1				
60	2 1/4	2 17/32	1 1/16	1 21/32	5 3/4	5 1/8	4 1/32	7 5/8	4 11/16	3/4	4 1/32	1 3/8	1 1/4	2 17/32	2 5/8	1.000	4 1/16	NCT212-36E	T212E	NC212-36	5.6
		64	27	42	146	130.17	102	194	119	19	102	35	32	64	66.7	25.4	103.2				
	2 7/16	2 17/32	1 1/16	1 21/32	5 3/4	5 1/8	4 1/32	7 5/8	4 11/16	3/4	4 1/32	1 3/8	1 1/4	2 17/32	2 5/8	1.000	4 1/8	NCT212E NCT212-39E	T212E	NC212 NC212-39	5.6
	2 7/16	64	27	42	146	130.17	102	194	119	19	102	35	32	64	66.7	25.4	104.8				

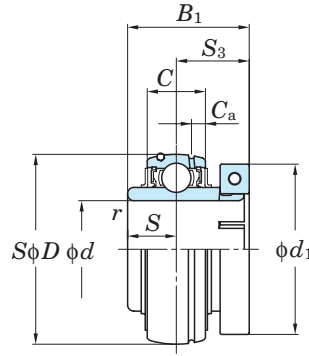


Ball bearing inserts NU-LOC

NC

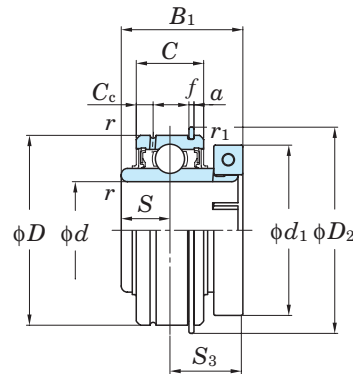
Cylindrical bore (with concentric locking collar)

d 20 ~ 60 mm



Shaft Dia		Dimensions				Basic Load Ratings		Factor	Bearing No.	Collar No.	Dimensions				Cap screw	Mass			
mm	inch	inch mm				kN		f_0			inch mm				inch mm	kg			
d		D	B_1	C	r	C_r	C_{or}				C_a	S	S_3	d_1					
20	3/4	1.850	1.280	0.630	0.039	12.8	6.65	13.2	NC204-12 NC204	UCL204B	0.157	0.500	0.780	1.752	No.8-32UNC	0.30			
		47	32.5	16	1					UCL204B	4	12.7	19.8	44.5	M4×0.7				
25	7/8	2.047	1.437	0.669	0.039	14.0	7.85	13.9	NC205-14 NC205-15 NC205	UCL205A	0.197	0.563	0.874	1.937	No.8-32UNC	0.40			
	UCL205A									5					14.3		22.2	49.2	No.8-32UNC
	UCL205A									5					14.3		22.2	49.2	No.8-32UNC
30	1 1/8	2.441	1.563	0.748	0.039	19.5	11.3	13.9	NC206-18 NC206 NC206-19 NC206-20	UCL206A	0.197	0.626	0.937	2.189	No.8-32UNC	0.50			
	UCL206A									5					15.9		23.8	55.6	No.8-32UNC
	UCL206A									5					15.9		23.8	55.6	No.8-32UNC
35	1 1/4	2.835	1.752	0.787	0.043	25.7	15.4	13.9	NC207-20	UCL207A	0.217	0.689	1.063	2.437	No.10-24UNC	0.80			
	UCL207A									5.5	17.5	27	61.9	No.10-24UNC					
	UCL207A									5.5	17.5	27	65.1	No.10-24UNC					
40	1 3/8	2.835	1.752	0.787	0.043	25.7	15.4	13.9	NC207-22 NC207 NC207-23	UCL207B	0.217	0.689	1.063	2.563	No.10-24UNC	0.80			
	UCL207B									5.5					17.5		27	65.1	No.10-24UNC
	UCL207B									5.5					17.5		27	65.1	No.10-24UNC
45	1 7/16	3.150	2.000	0.827	0.043	29.1	17.8	14.0	NC208-24 NC208	UCL208A	0.236	0.748	1.252	2.689	No.10-24UNC	1.0			
	UCL208A									6					19		31.8	68.3	M5×0.8
	UCL208A									6					19		31.8	68.3	M5×0.8
50	1 5/8	3.346	2.000	0.866	0.043	34.1	21.3	14.0	NC209-26	UCL209A	0.236	0.748	1.252	2.811	No.10-24UNC	1.1			
	UCL209A									6					19		31.8	71.4	No.10-24UNC
	UCL209A									6					19		31.8	71.4	No.10-24UNC
55	1 11/16	3.346	2.000	0.866	0.043	34.1	21.3	14.0	NC209-27 NC209-28 NC209	UCL209B	0.236	0.748	1.252	2.937	No.10-24UNC	1.1			
	UCL209B									6					19		31.8	74.6	No.10-24UNC
	UCL209B									6					19		31.8	74.6	M5×0.8
60	1 15/16	3.543	2.091	0.945	0.043	35.1	23.3	14.4	NC210-31 NC210 NC210-32	UCL210A	0.236	0.748	1.343	3.374	1/4-20UNC	1.4			
	UCL210A									6					19		34.1	85.7	M6×1
	UCL210A									6					19		34.1	85.7	1/4-20UNC
60	2	3.937	2.248	0.984	0.059	43.4	29.4	14.4	NC211-32	UCL211A	0.276	0.874	1.374	3.500	1/4-20UNC	1.5			
	UCL211A									7					22.2		34.9	88.9	1/4-20UNC
	UCL211A									7					22.2		34.9	88.9	1/4-20UNC
60	2 3/16	3.937	2.248	0.984	0.059	43.4	29.4	14.4	NC211 NC211-35	UCL211B	0.276	0.874	1.374	3.626	M6×1	1.5			
	UCL211B									7					22.2		34.9	92.1	1/4-20UNC
	UCL211B									7					22.2		34.9	92.1	1/4-20UNC
60	2 1/4	4.331	2.626	1.063	0.059	52.4	36.2	14.4	NC212-36	UCL212A	0.295	1.000	1.626	4.063	5/16-18UNC	2.2			
	UCL212A									7.5					25.4		41.3	103.2	5/16-18UNC
	UCL212A									7.5					25.4		41.3	103.2	5/16-18UNC
60	2 7/16	4.331	2.626	1.063	0.059	52.4	36.2	14.4	NC212 NC212-39	UCL212B	0.295	1.000	1.626	4.126	M8×1.25	2.2			
	UCL213B									7.5					25.4		41.3	104.8	5/16-18UNC

Ball bearing inserts NU-LOC
ERC
Cylindrical bore (with concentric locking collar)
d 20 ~ 60 mm



Shaft Dia		Dimensions														Bearing No.	Mass		
mm	inch	<i>D</i>		<i>C</i>		<i>r</i>		<i>r</i> ₁ (min)		<i>C</i> _e		<i>a</i>		<i>f</i>				<i>D</i> ₂	
<i>d</i>		mm	inch	mm	inch	mm	inch	mm	inch	mm	inch	mm	inch	mm	inch	mm	inch		
20	3/4	47	1.850	16	0.630	1	0.039	0.5	0.020	4	0.157	2.38	0.094	1.07	0.042	52.5	2.067	ERC204-12 ERC204	0.36
	7/8	52	2.047	19	0.748	1	0.039	0.5	0.020	5	0.197	2.38	0.094	1.07	0.042	57.7	2.272	ERC205-14 ERC205-15 ERC205	0.47
15/16	ERC205-16																		
30	1 1/8	62	2.441	22	0.866	1	0.039	0.5	0.020	5.5	0.217	3.18	0.125	1.65	0.065	67.5	2.657	ERC206-18 ERC206	0.57
	1 3/16																	ERC206-19	
	1 1/4																	ERC206-20	
35	1 1/4	72	2.835	24	0.945	1.1	0.043	0.5	0.020	5.5	0.217	3.18	0.125	1.65	0.065	78.4	3.087	ERC207-20	0.95
	1 3/8																	ERC207-22 ERC207	
	1 7/16																	ERC207-23	
40	1 1/2	80	3.150	28	1.102	1.1	0.043	0.5	0.020	6	0.236	3.18	0.125	1.65	0.065	86.4	3.402	ERC208-24 ERC208	1.2
45	1 5/8	85	3.346	28	1.102	1.1	0.043	0.5	0.020	6	0.236	3.18	0.125	1.65	0.065	91.4	3.598	ERC209-26	1.3
	1 11/16																	ERC209-27	
	1 3/4																	ERC209-28 ERC209	
50	1 15/16	90	3.543	28	1.102	1.1	0.043	0.5	0.020	7.5	0.295	3.18	0.125	2.41	0.095	96.3	3.791	ERC210-31 ERC210	1.6
	2																	ERC210-32	
55	2	100	3.937	30	1.181	1.5	0.059	0.5	0.020	7.5	0.295	3.18	0.125	2.41	0.095	106.3	4.185	ERC211-32	1.8
	2 3/16																	ERC211 ERC211-35	
60	2 1/4	110	4.331	32	1.260	1.5	0.059	0.5	0.020	7.5	0.295	3.18	0.125	2.41	0.095	116.4	4.583	ERC212-36	2.5
	2 7/16																	ERC212 ERC212-39	

Note : See NC insert series for additional dimensions.



NU Concentric Cap Screw Tightening Torque

Shaft Dia		Bearing No.	Collar No.	Cap screw	Recommended Torque					
mm	inch				Foot · Lbs.	Inch · Lbs.	N · m			
<i>d</i>				inch mm						
20	3/4	NU204-12	UCL204B	No.8-32UNC	5.5 – 6.0	66 – 73	7.4 – 8.2			
		NU204	UCL204B	M4×0.7						
25	7/8 15/16	NU205-14	UCL205A	No.8-32UNC						
		NU205-15	UCL205A	No.8-32UNC						
		NU205	UCL205A	M4×0.7						
30	1 1 1/16	NU205-16	UCL205A	No.8-32UNC						
		NU206-18	UCL206A	No.8-32UNC						
		NU206	UCL206A	M4×0.7						
35	1 3/16 1 1/4	NU206-19	UCL206A	No.8-32UNC						
		NU206-20	UCL206A	No.8-32UNC						
		NU207-20	UCL207A	No.10-24UNC						
40	1 1/4 1 3/8	NU207-22	UCL207B	No.10-24UNC				7.5 – 8.3	90 – 99	10.2 – 11.2
		NU207	UCL207B	M5×0.8						
		NU207-23	UCL207B	No.10-24UNC						
45	1 7/16 1 1/2	NU208-24	UCL208A	No.10-24UNC						
		NU208	UCL208A	M5×0.8						
		NU209-26	UCL209A	No.10-24UNC						
50	1 5/8 1 11/16	NU209-27	UCL209B	No.10-24UNC						
		NU209-28	UCL209B	No.10-24UNC						
		NU209	UCL209B	M5×0.8						
55	1 3/4 2	NU210-31	UCL210A	1/4-20UNC	13.0 – 14.3	155 – 172	17.6 – 19.4			
		NU210	UCL210A	M6×1						
		NU210-32	UCL210A	1/4-20UNC						
60	2 2 3/16	NU211-32	UCL211A	1/4-20UNC						
		NU211	UCL211B	M6×1						
		NU211-35	UCL211B	1/4-20UNC						
60	2 1/4 2 7/16	NU212-36	UCL212A	5/16-18UNC				30.7 – 33.9	368 – 407	41.6 – 46.0
		NU212	UCL212B	M8×1.25						
		NU212-39	UCL213B	5/16-18UNC						

NIPPON PILLOW BLOCK CO., LTD.

HEAD OFFICE/Main Plant

2306 Hirao Miharaku Sakai Osaka 587-0022 JAPAN
 TEL: 072-361-3752 FAX: 072-361-4173 E-mail: info@fyhbearings.com

SALES E-mail: exports@fyh.co.jp

FYH BEARING UNITS USA INC.

13201 FYH Drive Huntley, Illinois 60142, USA
 TEL: 847-487-9111 FAX: 847-487-9222 E-mail: sales@fyhusa.com

