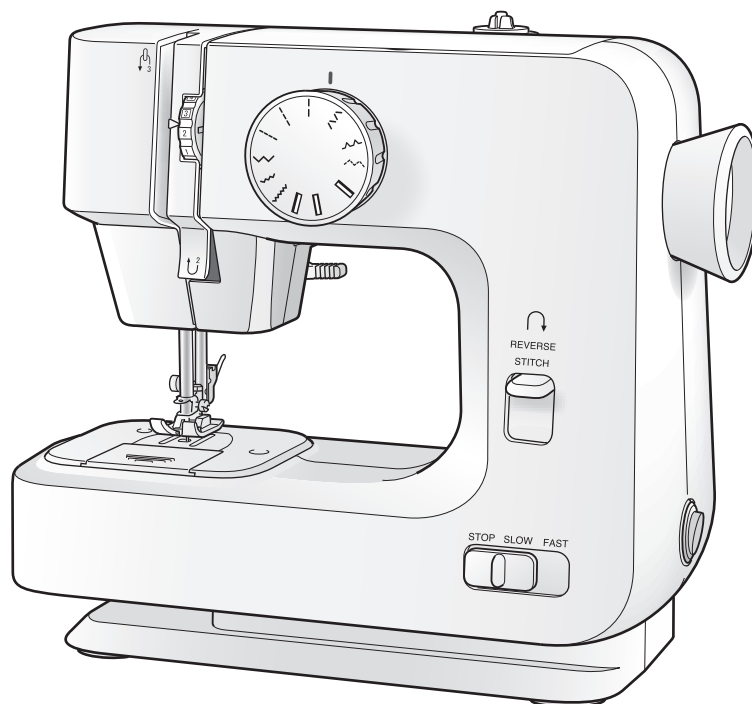


Nuetta

Instruction Manual



Issued January 2016 (1)

Thank you for purchasing
the Nuetta sewing machine.

- Please read this user manual carefully to use the machine correctly.
- Before using the machine, please read "instructions for safe use" on page 11.
- Be sure to save the manual and warranty card in a safe place so you can use them when you need to.

Introduction

Thank you for purchasing the Nuetta sewing machine.

Light and compact, the Nuetta can be used in your kitchen, living room, or anywhere else that is convenient. It's simple and easy-to-use, even for beginners.

Read the user manual (this book) carefully before using the machine to make sure you know how to use it correctly.

*See page 18 for an explanation of the types of warnings used in this manual.

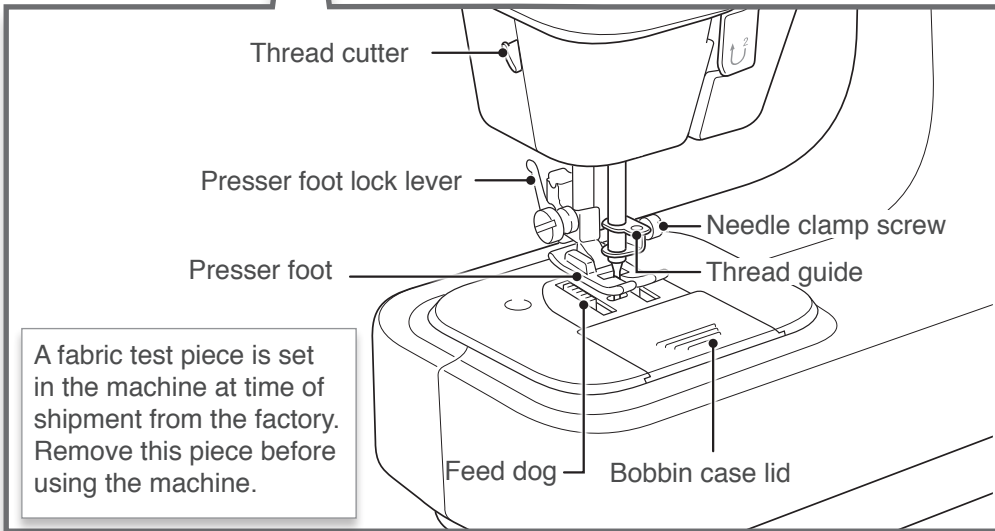
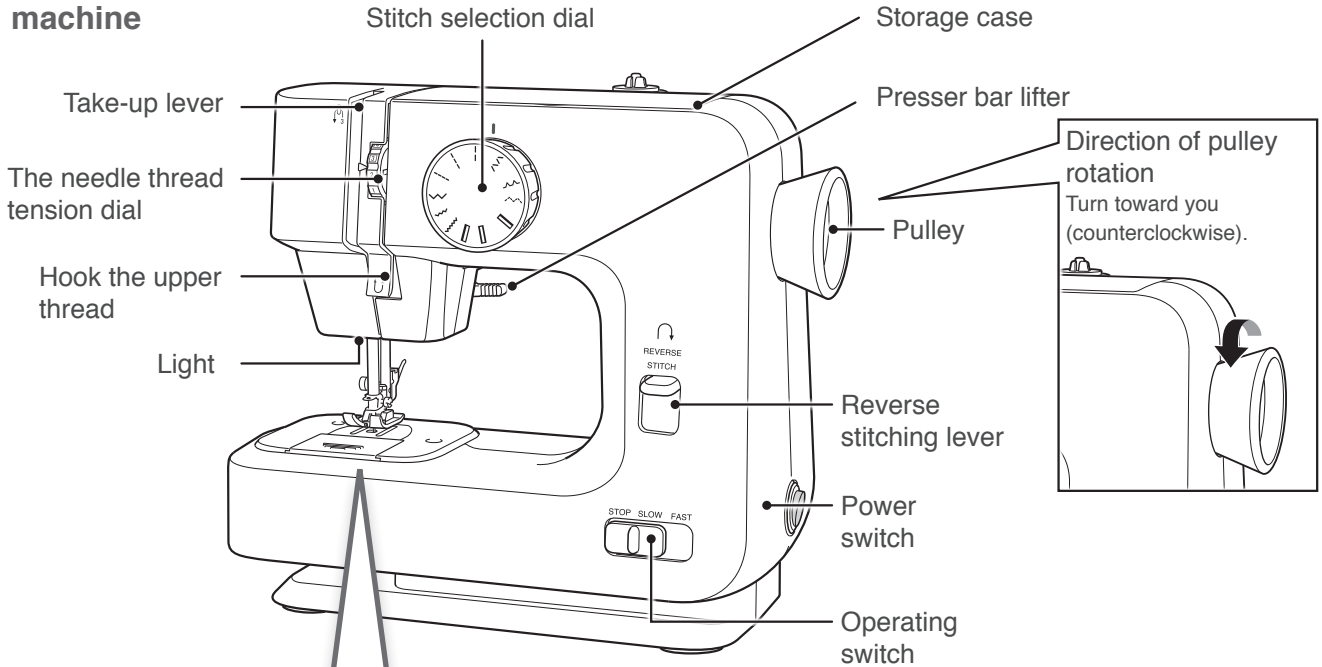
Contents

Introduction	2
Table of Contents	2
Product name, parts, configuration	3
Preparations	5
• Installing the battery	5
• When using the AC adapter (sold separately)	5
• When using the foot pedal	5
Basics to Sewing	6
Various type of stitches	8
• Changing sewing operations while sewing.....	8
• Sewing tubular items.....	8
• Sewing buttonholes.....	9
Replacing the needle and thread	11
• Threading the upper thread	11
• Threading bobbin thread	12
• Winding the bobbin	13
• Replacing the needle	14
Adjusting the stitch (thread tension)	15
Troubleshooting	16
Maintaining the machine	17
Safety Instructions	18
Correct use product	21
Specifications	22

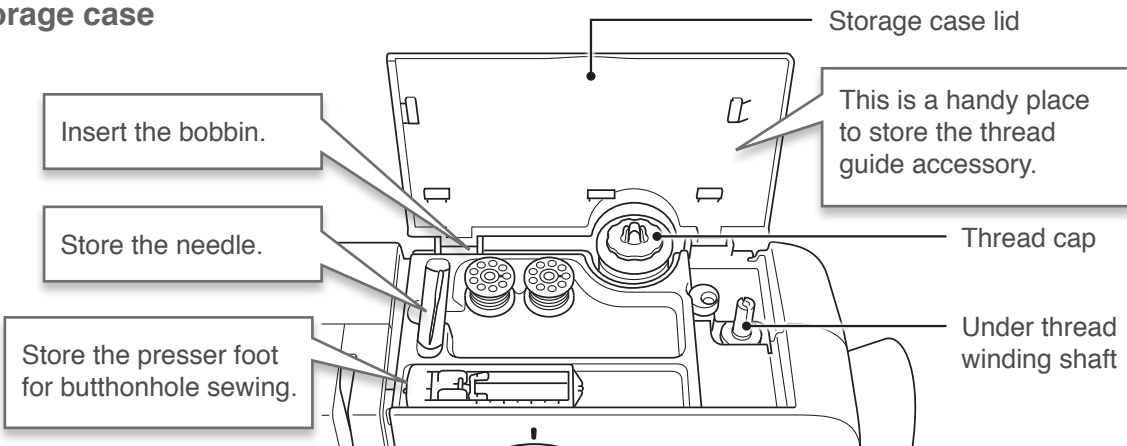
Names of parts and accessories

This section provides the names of Nuetta parts and accessories. After purchasing the product, make sure you have all parts.

Front of the machine

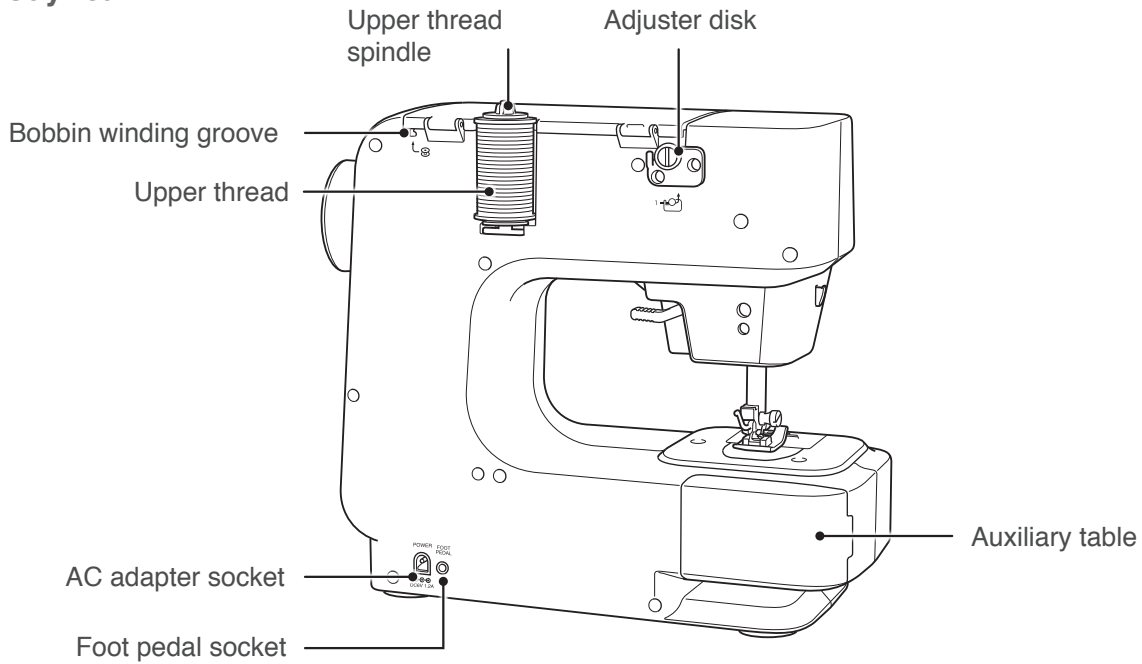


Storage case

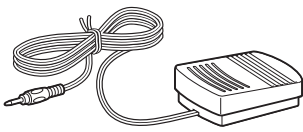


Part Names and Functions (Continued)

Body rear



Accessories (included)

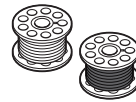


Foot pedal x 1
(No speed adjustment function)

* A foot pedal with speed adjustment is available (sold separately).



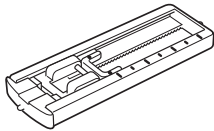
Sewing thread (white thread and black thread) x 1 each



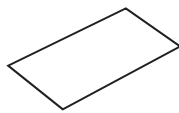
Bobbin (white and black thread) x1 each



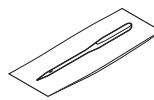
Needle threader x 1



Presser foot for buttonhole sewing

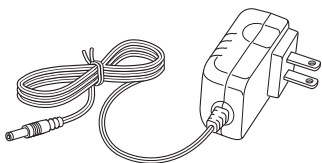


Thread guide



Spare sewing machine needle x 1
(For Household 14)

Sold separately

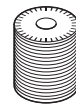


AC adapter

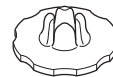
* Be sure to use the specified AC adapter

Body Accessories

The machine is provided with sewing machine thread, a bobbin, and a needle so you can sew right away.



Sewing machine thread (white) x 1



Thread holding cap x 1



Sewing machine needle x 1
(For Household 14)



Bobbin (white) x 1

Preparations for sewing

First, install the battery or the AC adapter.

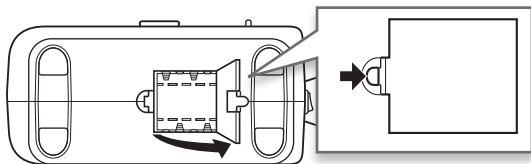
The foot pedal allows you to operate the machine with your foot.

Installing the batteries

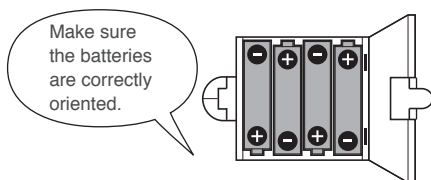
You can use your machine cordlessly by installing batteries.

- 1 Turn the power switch off and move the operating switch to the "stop" position.
- 2 Tilt the sewing machine on its side and remove the cover of the battery compartment on the bottom.

*Sewing thread has been installed at the factory so be careful not to dislodge it.



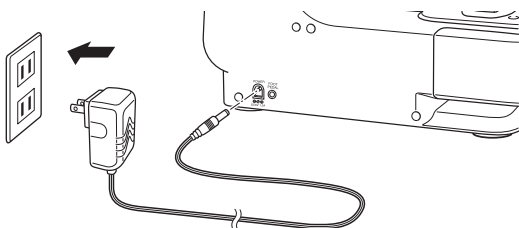
- 3 Insert four AA alkaline batteries (LR6) in the battery case. Make sure the + and - poles are correct when you install the batteries. Only use new batteries.



- 4 Replace the cover.

Using the AC adapter (sold separately)

You can also power the machine using the AC adapter. Insert the AC adapter plug in the socket on the sewing machine body.



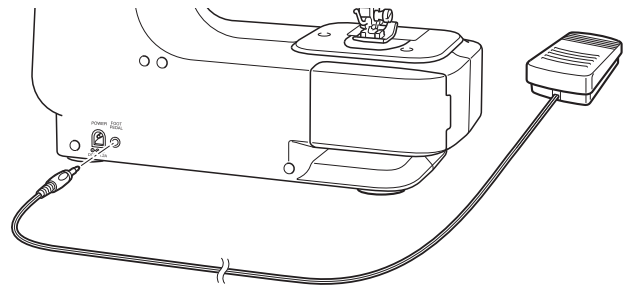
* We recommend that you remove the batteries at the bottom of the sewing machine body when you are using the AC adapter. Batteries can leak and damage the machine if they are not used for a long period of time.

! Caution

Be sure to use only the specified AC adapter in order to avoid injury.

When using the foot pedal

Insert the foot pedal plug in the foot pedal socket on the sewing machine body.



How to use the foot pedal

The machine will operate only while you are pressing the pedal with your foot.

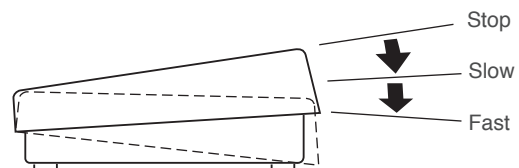
Be sure to use the foot pedal specified by Nuetta.

The sewing machine will run faster if you use the foot pedal without a speed control feature.



* In the case of foot pedal with speed adjustment function

You can adjust the speed of the sewing machine in two stages. The heavier the pressure on the foot pedal is, the faster the machine will run.



! Caution

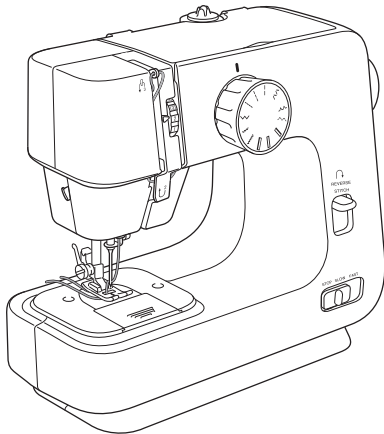
Do not use anything other than accessories or the foot pedal (sold separately). Doing so can result in injury.

Sewing Basics

Let's try making a straight stitch, the most basic kind of sewing.

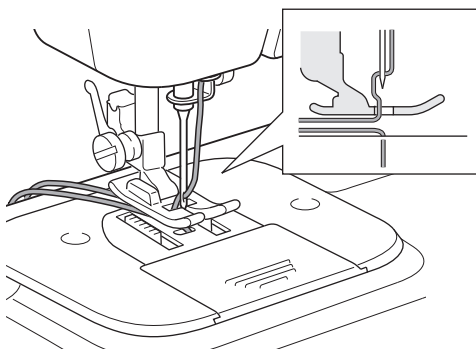
- 1** Make sure the upper thread and the bobbin thread have been correctly installed.

See page 11 to 12 for instructions about threading the upper thread and the bobbin thread.

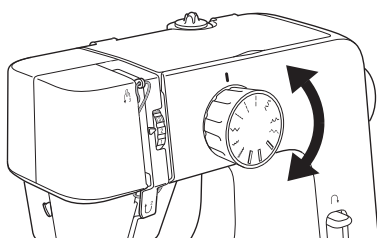


- 2** Turn the pulley toward you (counterclockwise) to raise the thread take-up lever and the needle to their highest positions.

Pull the upper thread and the bobbin thread together so they come out behind the needle by about 10 cm. Make sure that the upper thread and the bobbin thread come out beneath the pressure foot.



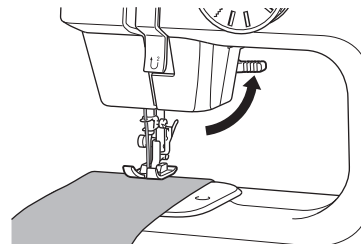
- 3** Turn the stitch selector dial to select the stitch pattern.



When rotating the stitch selector dial, make sure the needle is in the raised position.

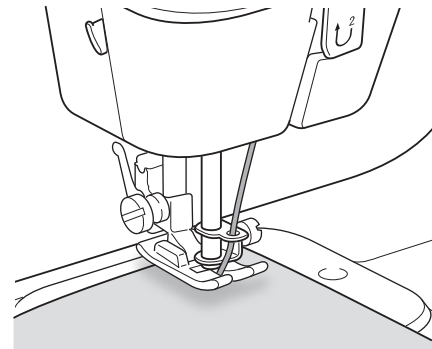
Here, | Set the machine for "straight stitch."

- 4** Raise the presser foot and place the fabric under it.

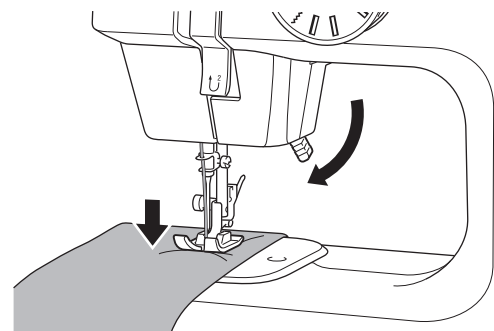


When you use the sewing machine for the first time, remove the test piece (this is a piece of fabric used for test sewing when the machine is shipped from the factory).

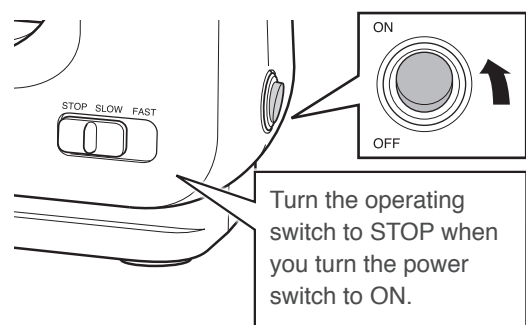
- 5** Turn the pulley toward you (counterclockwise) to lower the needle to the position where you wish to start sewing.



- 6** Lower the presser foot lifter to secure the fabric.



- 7** Make sure that the operating switch is set to STOP and the power switch to ON.

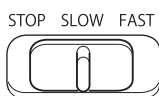



Turn the operating switch to STOP when you turn the power switch to ON.

The light will illuminate when the power is ON.

- 8** Start sewing again while pressing the fabric gently.

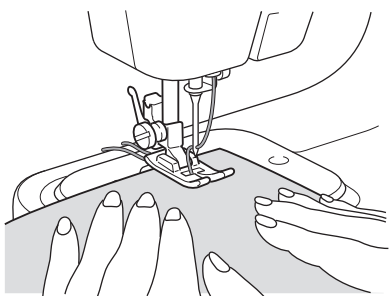
How to use the operating lever



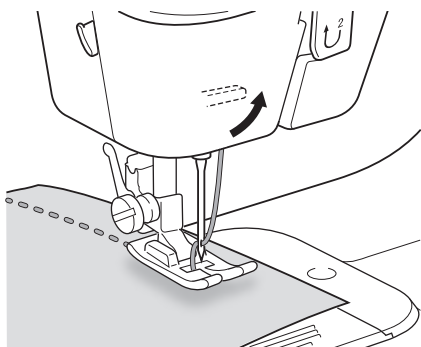
- Stop:** Stop the sewing machine. 
- Slow:** The machine will move slowly.
- Fast:** The sewing machine will move quickly.

When using the foot pedal

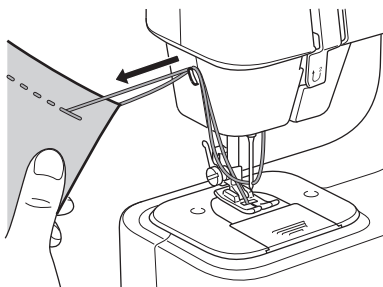
The machine will run only while you are pressing the pedal with your foot.



- 9** When you have finished sewing, rotate the pulley toward you (counterclockwise) to raise the needle and the thread take-up lever, and raise the presser foot lifter.



- 10** Remove the fabric and cut the thread with the thread cutter.



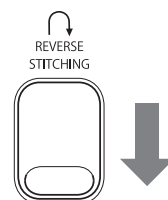
Hints

If the thread is caught and you cannot remove the fabric, rotate the pulley back and forth slightly to make it easier to remove the thread and the fabric.

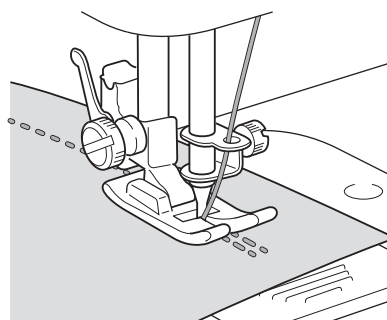
Note

• When reverse stitching

The machine will sew in reverse only while the lever is pushed down.

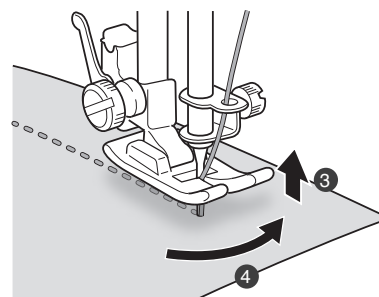


The thread is unlikely to become loose if you reverse stitch when you start or end sewing.



• When changing sewing direction

- 1 Stop: Stop the sewing machine.
- 2 Lower the needle by turning the pulley toward you (counterclockwise) to insert the needle into the cloth.
- 3 Raise the presser lever to raise the presser foot.
- 4 Rotate the fabric.



- 5 Lower the presser foot lifter to begin sewing again.

Various Types of Sewing

You can choose from 12 different stitches by turning the stitch selection dial.

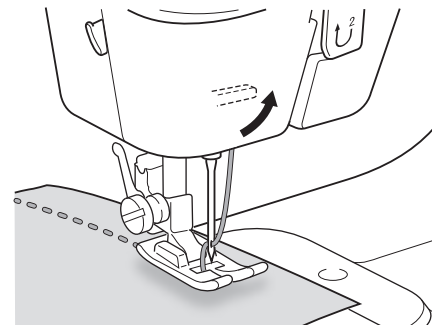
Mark												
Type	Straight stitch			Blind stitch			Buttonhole sewing			Zigzag stitch		
Presser	 (Normal presser foot)						 (Presser foot for buttonhole sewing)			 (Normal presser foot)		
Uses	Fine stitches ↔ Coarse stitches			· Hemming · Sewing cuffs, etc.			Sew around the buttonhole. (See page 9)			· Finishing the edge of the fabric (overcast stitching) · Applique · Patchwork, etc.		

If you want to change the stitch while sewing

- 1 Stop the machine, rotate the pulley toward you (counterclockwise), and move the thread take-up lever and the needle to their highest positions.

! Caution

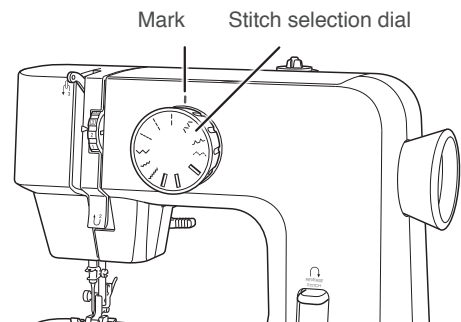
Do not turn the stitch selector dial while the machine is running or while the needle is in the fabric. Doing so can result in the machine damage.



- 2 Turn the stitch selection dial to align with the mark indicating the desired stitch.

Hints

- Stitches can be used when sewing two layers of fabric, too.
- The straight stitch is best when you are sewing soft fabrics or silks.

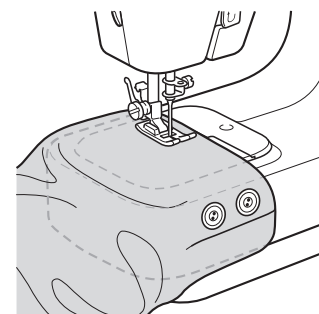
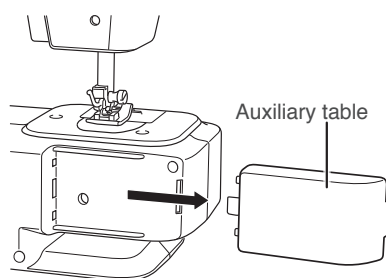


When sewing tubular items

Slide tubular items like sleeves and trouser legs over the arm so you can sew them.

Hints

It is helpful to remove the auxiliary table when you sew tubular items like sleeves.



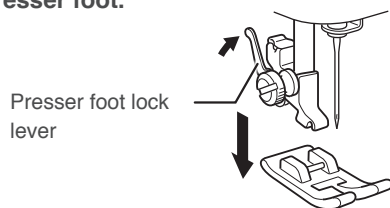
Buttonhole sewing

You can sew buttonholes by using the buttonhole sewing presser foot accessory. We recommend that sew a few pieces before you sew actual material.

Install the buttonhole sewing foot

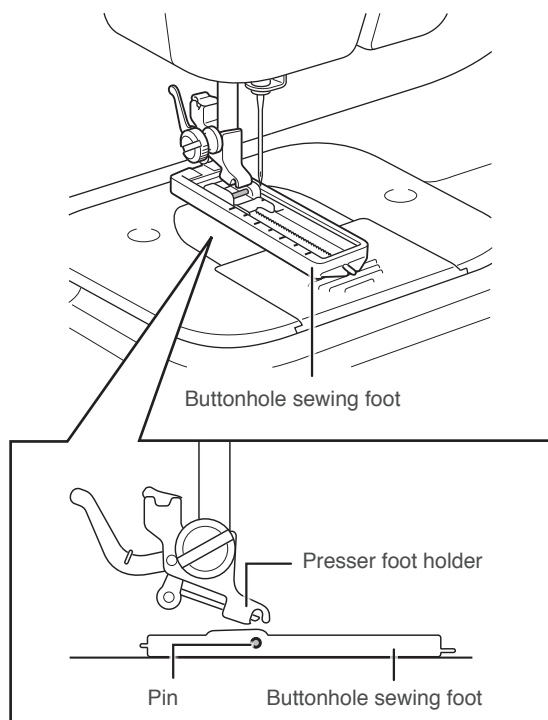
1 Raise the presser foot and lift the needle to its highest position.

2 Raise the presser foot lifter and remove the presser foot.

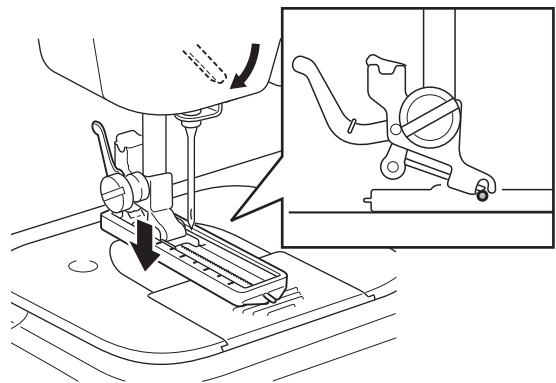


3 Hold the buttonhole sewing foot and place it under the holder.

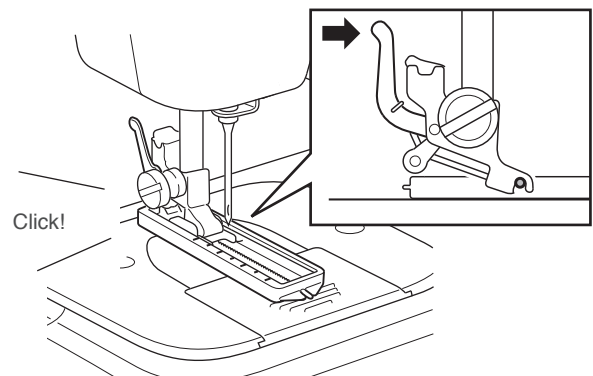
Align the presser foot pin so it lines up right under the holder.



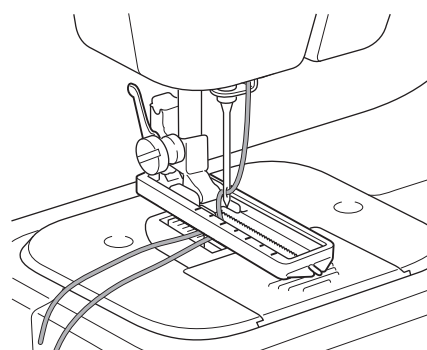
4 Lower the presser foot to lower the presser foot holder.



5 Raise the presser foot lock lever to secure the presser foot to the presser holder.



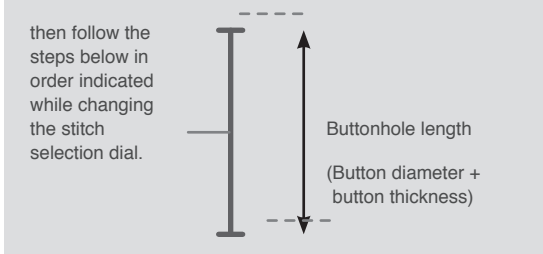
6 Raise the presser foot lifter, pass the upper thread and the bobbin thread through the buttonhole sewing foot so they come out from the side.



Various Types of Sewing

Sewing buttonhole

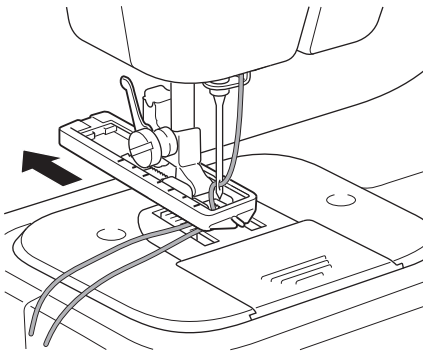
- 1 Make a mark where you want to make a buttonhole.



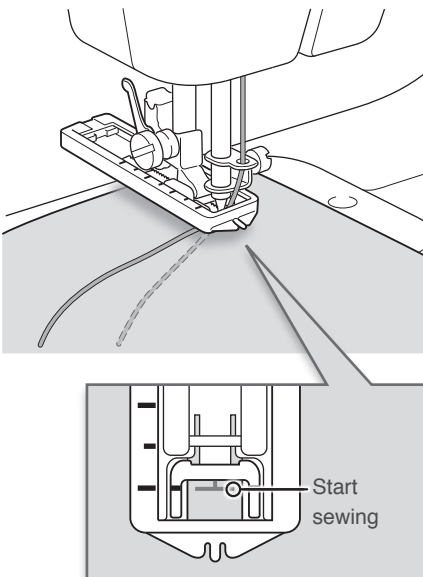
- 2 Rotate the pulley toward you (counterclockwise) to raise the needle to its highest position and adjust the stitch selector dial to the mark.



- 3 Place the buttonhole foot in its rearmost position.

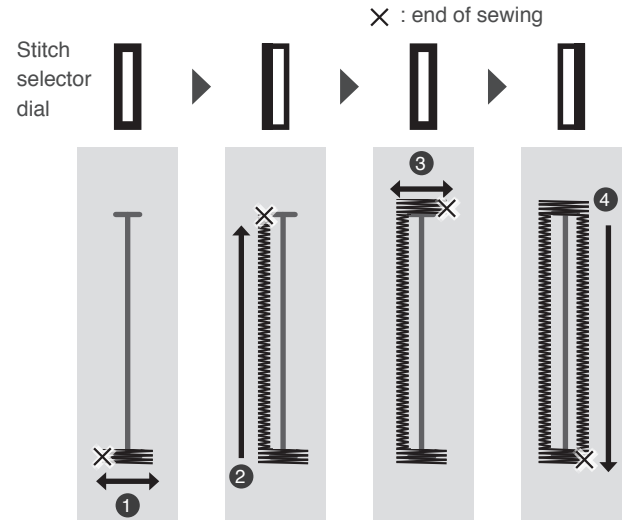


- 4 Align the fabric with the mark on the buttonhole foot and drop the needle onto the position to start sewing.



- 5 Lower the presser foot lever.

- 6 Start sewing from the position where the buttonhole is opened,



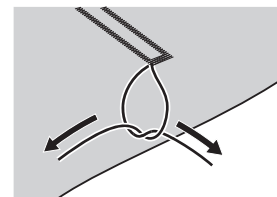
Hints 2 4 Your sewing will be neater if you guide the fabric as it passes through the machine.

! Caution

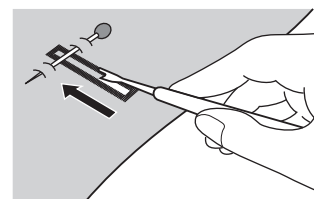
Stop the sewing machine and raise the needle and the thread tension lever to their highest positions when you rotate the stitch selection dial. Turning the dial while the machine is running can damage the machine.

- 7 When you have finished sewing, pull the fabric, and cut the thread.

- 8 To keep the thread from unraveling, pull out the upper thread from the rear of the fabric and tie it off with the bobbin thread.



- 9 Insert a dress pin in front of the bar tacking and use a standard seam ripper to cut the buttonhole open.



! Caution

Be careful not to put your hand in front of the seam ripper. Doing so can result in injury.

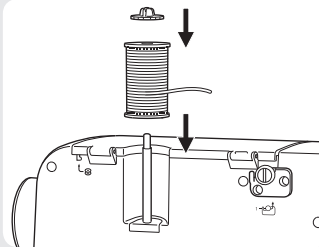
Replacing the needle and thread



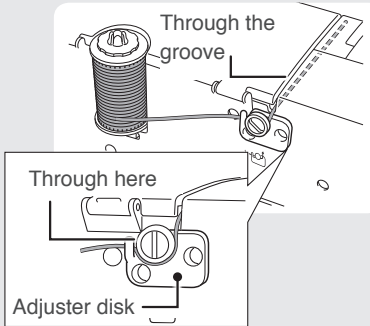
Threading the upper thread

Replace the thread as follows when you run out of thread or if you want to change thread color.

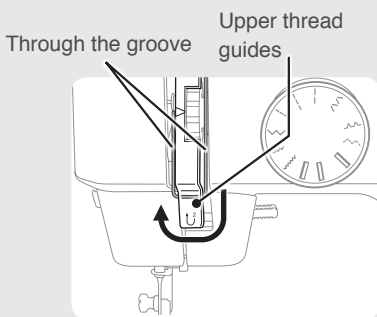
- 1 Remove the thread cap, place a spool of sewing machine thread on the spindle, and replace the thread cap.



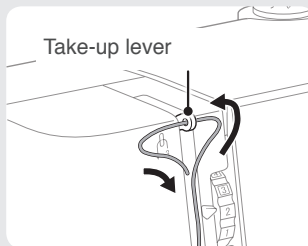
- 2 Place the thread through the thread tension disk and pass the thread through the groove in the storage case.



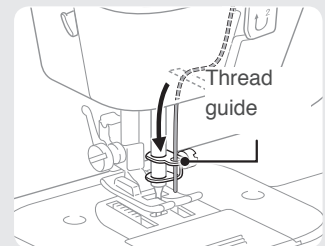
- 3 Pass the thread through the upper thread guides.



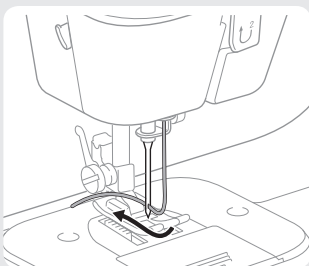
- 4 Pass thread through the take-up lever. When the take-up lever is in its lowest position, rotate the pulley to its highest position.



- 5 Turn the pulley to bring the take-up lever to its lowest position and pass the thread through the thread guide.

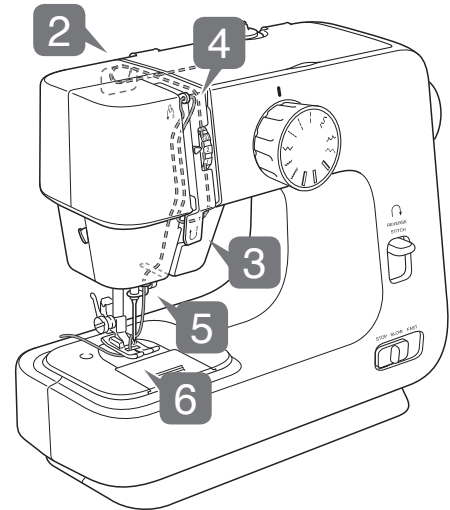


- 6 Rotate the pulley to raise the needle to its highest position and pass the thread through the eye of the needle from the front.



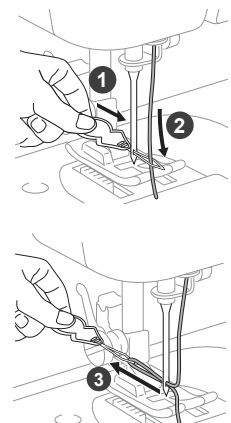
! Caution

Make sure the power switch is turned OFF when threading the machine.



Use of the needle threader

- 1 Pass the tip of the needle threader through the eye of the needle from the rear of the machine to the front.
- 2 Pass the thread through the ring.
- 3 Gently pull on the needle threader to pass the thread through the eye of the needle from the front toward the rear.



Replacing the needle and thread (continued)

See the instructions on the next page for winding thread onto an empty bobbin.

Thread the bobbin thread

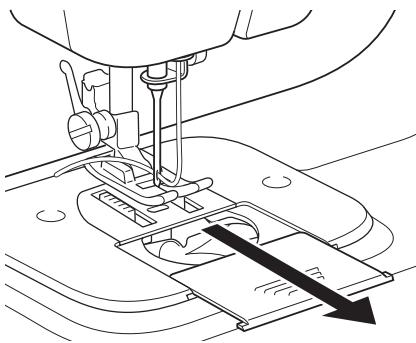
Caution

Be sure to use metal bobbins.

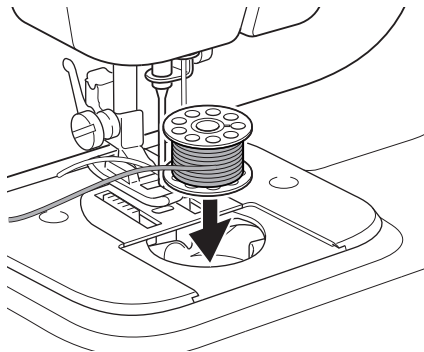
Thread the upper thread before threading the bobbin thread. You will not be able to bring up the bobbin thread unless you have already threaded the upper thread.

1 Rotate the pulley toward you (counterclockwise) to raise the needle to its highest position. Lift the presser foot lever.

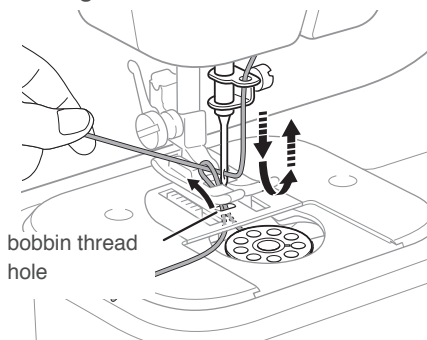
2 Pull the sliding plate forward to remove it.



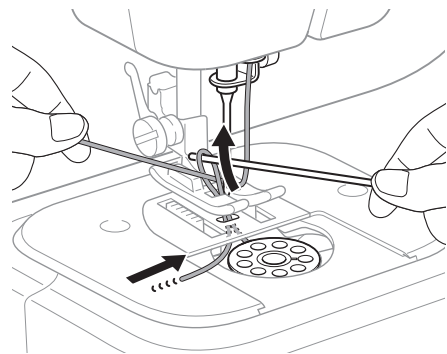
3 Pull out about 10 cm of thread from the bobbin and insert the bobbin so it winds to the right.



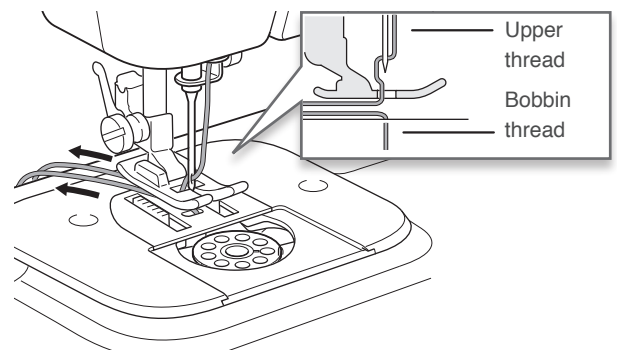
4 Hold the end of the upper thread and rotate the pulley toward you (counterclockwise) while gently pulling on the upper thread until the bobbin thread emerges from the bobbin thread hole.



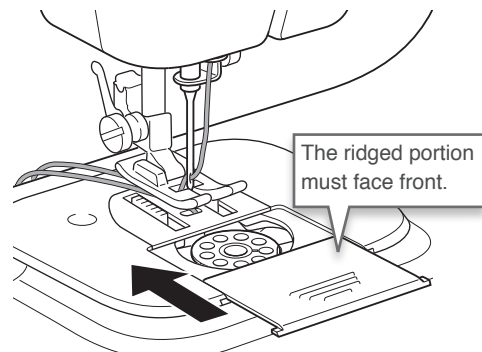
5 Pull the bobbin thread when it emerges from the bobbin thread hole. It's easier to pull the thread out if you use a rod with a small tip.



6 Pass the upper and bobbin threads to the rear under the presser foot, pulling them out together about 10 cm.



7 Attach the slide plate.



Note

The upper and bobbin thread must be correctly installed. Sew a test piece to make sure the machine is sewing correctly and then begin sewing your project.



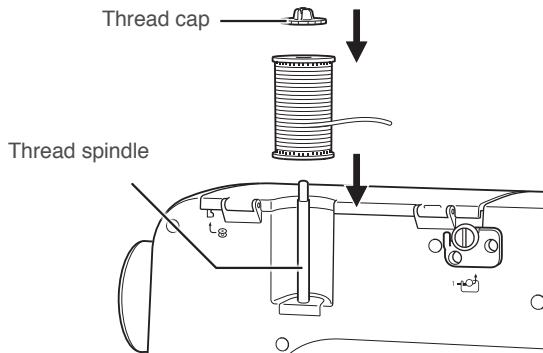
Winding thread onto the bobbin

! Caution

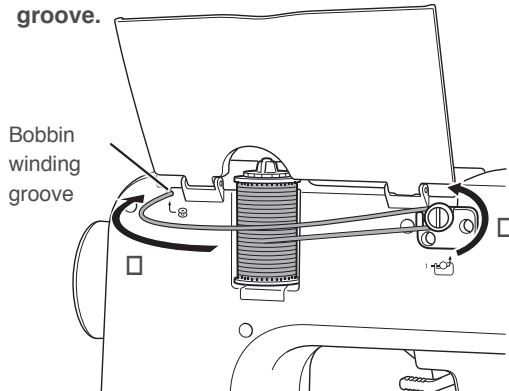
Be sure to use metal bobbins.

This is how you wind thread onto an empty bobbin.

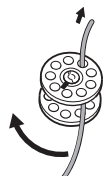
- 1** Place a spool of sewing machine thread onto the thread spindle and place the thread cap.



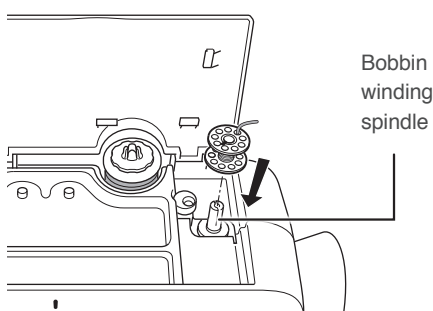
- 2** After passing the thread through the thread tension disk, open the lid of the storage case and pass the thread through the bobbin winding groove.



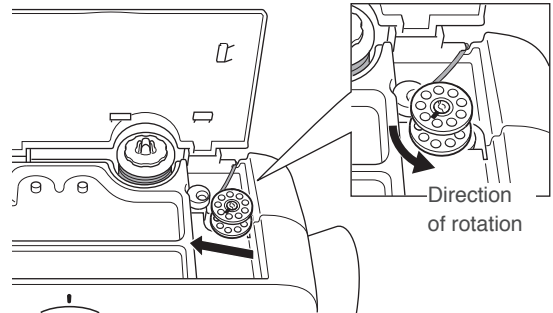
- 3** As shown in the drawing, the thread passes through the bobbin hole, and is wound 3-4 times to the right around the bobbin.



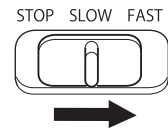
- 4** Align the groove in the center of the bobbin with the fitting on the bobbin thread winding spindle and press down.



- 5** Slide the bobbin winding spindle to the left.



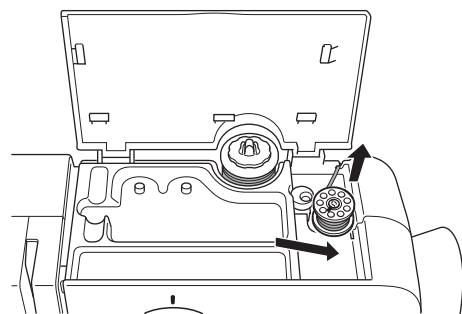
- 6** Turn the power switch ON and move the operating switch to "slow" or "fast" to start winding the bobbin.



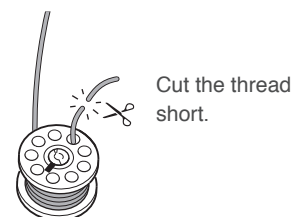
* Be careful because the needle will move up and down.

- 7** Stop the machine after you have wound the appropriate length of thread onto the bobbin.

- 8** Slide the bobbin winding spindle back to the right and remove the bobbin from the spindle.



- 9** Cut the bobbin thread



Replacing the needle and thread (continued)

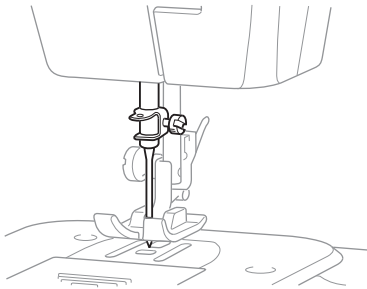
Replacing the needle

Use the following method to replace the needle if the needle becomes bent or broken.

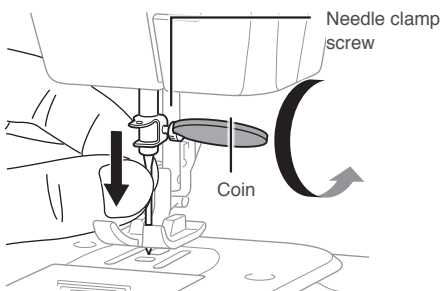
! Caution

To prevent accidents when replacing the needle, be sure to turn the power switch OFF. (It is even safer to remove the batteries and the AC adapter.)

- 1 Rotate the pulley toward you (counterclockwise) and raise the needle to approximately the position indicated in the drawing.

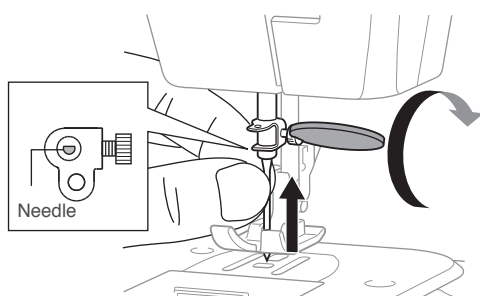


- 2 While holding the used needle, use a coin to loosen the needle clamp screw counterclockwise to remove the needle.
* Remove the needle and dispose of it appropriately.



- 3 Insert a new needle in the needle clamp so that the flat part faces the back, turn the needle clamp screw clockwise, and tighten the needle in place.

Make sure you fully insert the needle. If not, the needle may break.



- 4 Slowly rotate the pulley towards you to make sure that the needle is functioning properly.

Note

When installing or removing the needle, rotate the pulley to adjust the needle to a convenient height.

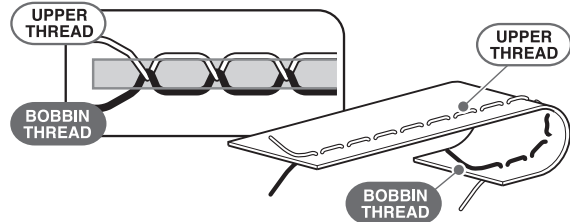
Stitch adjustment (thread tension)

Try a few test stitches before you start sewing to check on the condition of the thread.

Since thread tension will vary depending on the type of fabric used, do some test sewing when you change fabrics to check on the condition of the thread.



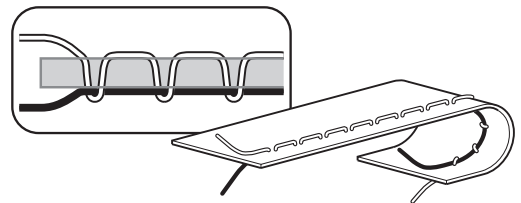
In normal stitches, the upper thread in the bobbin thread will cross in the fabric.



The bobbin thread should appear straight

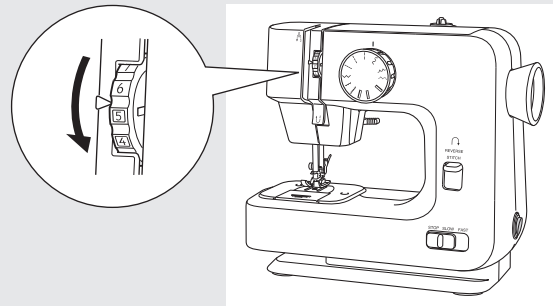


Upper thread is too weak.



- ▶ Increase the number of the upper thread tension dial.

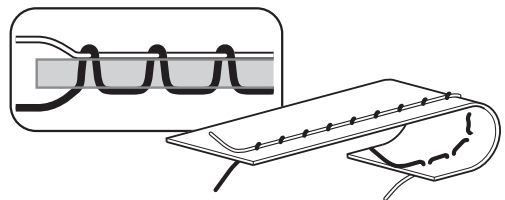
Turn the upper thread tension dial slowly to increase the number until the stitches become normal and the upper thread tension is strong.



The upper thread should appear straight

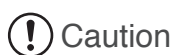
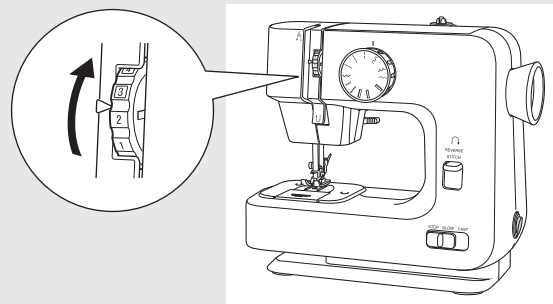


The upper thread is too strong.



- ▶ Reduce the number on the upper thread tension dial.

Slowly turn the upper thread tension dial to reduce the number until the stitches become normal and the upper thread tension is reduced.



Caution

Use either the bobbin that is provided as an accessory or an off-the-shelf metal bobbin. Thread tension cannot be adjusted if you use a plastic bobbin.

If you think something is wrong with the machine

When you think the machine may be malfunctioning due to problems while you are using it, check the following:

Problems	Cause	Solution
<ul style="list-style-type: none"> · Lamp does not illuminate. · Machine runs slowly. · Machine does not run. 	No power supply.	→ Turn the power supply switch ON and supply power.
	Batteries are not installed correctly.	→ Make sure the batteries are oriented correctly and reinstall them. See page 5.
	Batteries are dead.	→ Install new batteries.
Stitches not regular.	Upper thread not threaded correctly.	→ Correctly thread the upper thread. See page 11.
	Needle is bent.	→ Remove the old needle, Install a new needle. See page 14.
	Dust buildup in the bobbin case.	→ Clean the bobbin case.
Bobbin thread does not come out from the bobbin.	Out of bobbin thread.	→ Wind thread onto the bobbin or install a loaded bobbin. See page 12 to 13 for reference.
	Incorrect threading.	→ Thread the needle correctly (from the front).
Thread keeps breaking.	Knots and tangles in the thread.	→ Use scissors to cut out thread knots and tangles.
	Upper thread or bobbin thread threaded incorrectly.	→ For upper thread, see page 11. For bobbin thread, see page 12 to thread the machine correctly.
	Needle is bent.	→ Remove the old needle, Install the new needle. See page 14.
	Needle incorrectly installed.	→ Install needle correctly. See page 14.
	Too much thread tension.	→ Turn the upper thread adjustment dial for 3-5 degrees and loosen thread tension. See page 15.

Problems	Cause	Solution
Stitches are loose or uneven.	Upper thread does not feed properly from the thread spool. → The upper thread is too loose. →	Reinstall the spool and make sure the spool turns smoothly. See page 11.
Needle breaks.	The needle is bent or deformed. →	Remove the old needle, Install a new needle. See page 14.
	Needle incorrectly installed. →	Install needle correctly. See page 14.
	Needle clamp screw is loose. →	Firmly tighten the needle clamp screw. See page 14.
Thread gets tangled and does not work.	Thread gets tangled inside. →	Turn off the power and slowly turn the pulley toward you to pull out the tangled thread.
Needle gets stuck in thick fabric.	Needle does not penetrate smoothly. →	Set the operating switch to STOP, turn the pulley toward you, try making 2-3 stitches, and then move the operating switch.
Stitch (thread tension) out of adjustment.	Using a non-metallic bobbin. →	Use a metal bobbin.

Cleaning Instructions

- 1 Turn off the power and remove the battery from the battery case in the bottom of the unit.
- 2 Wipe the surface of the case with a soft cloth. Remove stubborn dirt with a soft cloth that has been dampened with water and thoroughly wrung out.

⚠ Caution

Do not use chemicals like cleansers or other strong solvents.


Instructions for safe use


The following is important safety information provided to protect you and others from injury or property damage. When you have understood the following information, please read the main text and be sure to follow instructions. Do not use the product for any purposes or by any methods not listed in this manual.

IMPORTANT NOTES

- The company cannot assume responsibility for failure to comply with the usage guidelines and instructions provided in this manual.
- The manufacturer and the seller cannot assume responsibility for breakage, malfunction, accidents, or fire due to lack of caution on the part of the customer.
- Never use the product for purposes or according to methods other than those described in this manual. Such use can result in accident or injury.

<Explanation of symbols>

 **Danger** "Imminent potential for death or serious injury"

 **Warning** "May result in death or serious injury"

 **Caution** "May result in personal injury or damage to property"

 Prohibited items.

 "Instructions" about things that must be done.

Precautions about batteries



Danger



If battery fluid comes into contact with the eyes, skin, or clothing, immediately wash it off with plenty of water and seek treatment from a physician.

Failure to do so can result in blindness or other injury.



Warning



Do not short, disassemble, recharge, or attempt to burn the batteries.

This can result in battery bursting, generation of heat, or fluid leakage.

Do not combine new batteries with older batteries, and do not reverse polarity (+/-)

This can result in heating, fluid leakage, or bursting.



Do not expose batteries to water.

If the batteries get wet, they can generate heat, and they may not perform correctly.

Keep batteries out of the hands of children.

Contact a physician immediately if a battery is swallowed. Make sure that infants do not remove the batteries from the machine.

Remove used-up batteries immediately from the machine. Used-up batteries that are left for long periods of time in a device can leak and cause damage.



Caution



Remove the batteries if you will not be using the machine for a long period of time.

Batteries left in the machine may leak.

Use batteries correctly in accordance with the battery label.



Discard batteries properly in accordance with the disposal methods approved in your area.

Do not mix alkaline batteries, manganese batteries, or rechargeable nickel-cadmium batteries.

Precautions on the sewing machine



Warning



Be sure to inspect before use.

Immediately stop using if the AC adapter is damaged, cracked, or malfunctioning. Contact the customer service center listed at the end of the manual to get service. Failure to do so can result in electrocution, fire, or injury.

Immediately turn off the power and remove the batteries or disconnect the AC adapter under any of the following circumstances:

- After usage
 - When you leave the sewing machine alone
 - When small children are around
 - When the machine is not operating normally
 - When threading the needle
 - When replacing the needle
 - When replacing the bobbin
 - When replacing parts
 - When cleaning the sewing machine
- Failure to do so can result in accident or injury.



Do not take it apart

Do not attempt to disassemble, modify, or repair the machine on your own.

Doing so can result in fire or injury.



Do not install or store this product in the following locations.

- Locations in extremely high or low temperatures close to the heating equipment or fire
 - In bathrooms or other wet locations
 - In dusty or humid locations
 - Outdoors or in direct sunlight
 - In smoky, oily, steamy, or wet areas near hazardous materials (Grease, oil, mud, snow, wet paint, etc.)
- Doing so can result in electrocution or malfunction.

Keep out of reach of children.

If not, can result in injury.



Do not wet with water

Do not put this product in water or get it wet. Doing so can result in injury.



Electrocution Hazard



Caution



Do not use the product for any purposes or by any methods not listed in this manual.

Doing so can result in accidents.

Do not allow children to use the machine by themselves and keep out of reach of infants.

Doing so may result in accident or injury.

Do not use parts or accessories other than those sold by Nuetta that are indicated in this manual.

Use of inappropriate part or accessories can result in malfunction or injury.

Do not bump the machine or place heavy objects on it or apply excessive force on it.

Also, do not pull on the parts with excessive force or handle the machine roughly. Such use can cause damage, electrocution, fire, or accident.

Do not tilt the machine or place it on an unstable surface like a wobbly table.

The machine can fall and cause injury.



Replace the batteries if the machine cannot operate

Suspend use of the product if you think it is broken or that something is abnormal.



Do not use the machine near children, pets, or persons who require supervision. Doing so may result in accident or injury.

Do not use in high temperature locations or near flame.

Such use may result in deformation or breakage.

Do not carry the sewing machine by the power cord.

This can damage the power cord and result in electrocution, fire, or injury.

Store the machine in a location out of reach of children.

Do not under any circumstances walk away from the machine when children are nearby.

Doing so can result in accidents.

Keep your fingers away from underneath the needle or other moving parts while the machine is in operation.

There is a risk of injury.

Keep water away from the machine.

Doing so prevents the risk of electrocution or fire.

Do not use bent needles.

Doing so can break the needle.

Do not push or pull on the fabric while sewing.

Doing so can result in injury.

Instructions for safe use

Notes on the AC adapter



Warning



Be sure to inspect before use.

Immediately stop using if the AC adapter is damaged, cracked, or malfunctioning. Contact the customer service center listed at the end of the manual to get service. Failure to do so can result in electrocution, fire, or injury.

Be sure to disconnect the plug from the outlet when assembling the product or removing parts.

Failure to do so can result in injury.

Be sure to use the specified AC adapter.



Pull out from outlet

Immediately discontinue use, turn the power switch OFF, and remove the plug from the outlet under any of the following circumstances. Contact the customer service center listed at the end of the manual to obtain service.

- If you sense that anything abnormal
- If there is a burning smell or smoke
- If a portion of the power cord becomes hot during use
- If the power cuts out when you touch or bend the power cord
- If the insulation on the power cord is damaged
- If the metal prongs on the plug are bent or significantly discolored
- If there are damaged or missing parts
- If the power cord has been soaked in detergent or pesticide

Continued use under any of these circumstances can result in electrocution, fire, burns, injuries, or malfunction.



Caution



Use only an AC adapter with the specified voltage.

Doing so can result in injury.

Do not overload the circuit by plugging in too many power cords.

Doing so can generate heat and cause a fire.

Do not connect or disconnect the AC adapter with wet hands.

There is a risk of electric shock.

Do not pull the power cord when disconnecting the AC adapter from outlet.

Always hold the AC adapter itself when connecting or disconnecting. Failure to do so can damage the power cord or the plug.



Pull out from outlet

Turn the power OFF when not using the machine and remove the AC adapter from the outlet.

Failure to do so may result in accident or injury.



Completely insert the AC adapter.

Failure to fully insert the AC adapter can result in electrocution or fire.

Be sure to turn the switch OFF when plugging in or unplugging the AC adapter.

Failure to do so may result in accident or injury.

Note the following precautions on the AC adapter.

- Do not pinch it with doors or furniture
 - Do not place it under tatami mats or floor covering
 - Do not place heavy articles on top of it
 - Keep it from getting caught on table or counter edges
 - Do not pull on it
 - Do not twist the cord
 - Do not tangle the cord
 - Do not damage the cord
 - Do not modify the cord
 - Do not force the cord to bend
 - Keep cord away from sharp objects
 - Keep adapter away from heat and fire
 - Do not get it wet
 - Do not soak it in water
 - Do not wrap the cord around the main unit
- Doing so can result in malfunction.

To use the product properly

Notes on use

- Please note that the company can assume no responsibility for breakage, malfunction, injury, accident, or fire due to the customer's negligence.
- The company cannot assume responsibility for failure to comply with the usage guidelines and instructions provided in this manual.
- Do not use this product within the reach of children or when pets are nearby.
- This product is not a toy.
- Please inspect the product for damage prior to use.
- Do not use the product if you suspect that it is damaged or is malfunctioning.

Use of this product

- Do not use outdoors. Doing so can result in injury.



Cautions

This product is intended for household use; it is not intended for commercial use.

Doing so can result in injury. Not covered by warranty.

Storage and disposal of the product

- Store this product in a dry and safe location, and do not keep it in any of the following locations:

Locations that are subject to extreme heat or cold

Outdoors or in direct sunlight

Dusty or wet locations

Oily, smoky or steamy locations

Near heat sources or fire

Within reach of children or near pets

- When storing the product, keep it away from grease, oil, mud, snow, wet paint, and slippery objects.
- When storing the product, keep it clean and keep it away from hazardous substances.
- Store the product in flat and safe location.
- When disposing of the product, do so appropriately and in compliance with local regulations and according to instructions from your municipality.

Product maintenance and inspection

- Wipe gently with a soft cloth. If the product is quite dirty, dampen a soft cloth with a neutral detergent and wipe it clean.



Cautions

Do not clean the product with the following solvents or detergents:

This may result in cracks, breakage, electrocution, fire, or accident.

-Benzine, thinner

-Liquid detergent, spray detergent, alcohol cleaners, laundry detergent, bleach

-Abrasives, corrosive Lubricants

Specifications

Power supply	4 AA alkaline batteries (LR6) or DC 6V 1.2A
Weight	About 2.3kg
Size (LxWxH)	125mm × 292mm × 250mm (260mm including projections)

Maintenance and Service

Warranty

[Product name: Nuetta]

This warranty is to promise to perform repair free of charge in accordance with the following free of charge repair provision when a malfunction has occurred during the warranty period.

Please contact the Shop Japan Customer Service Center when a malfunction has occurred on this product during the warranty period.

An exchange or repair will be performed free of charge only during the warranty period.

*Presentation of the this document and the proof of purchase for the Styleplus FOODSEALER (purchase specification, receipt, bill of receipt, etc.) will be required to request a repair or exchange, so please store the warranty together with the proof of purchase.

Customer name: _____

Purchase data: Day/Month/Year _____

Customer address: _____

Warranty period: One year from the date of purchase

Customer telephone (at time of purchase): _____

This warranty is to promise a free of charge exchange or repair for the period and under the condition described in this document. Therefore, this warranty does not limit the right of the customer defined by the law, so please contact the Shop Japan Customer Service Center described below if there is any question regarding the exchange or repair after the warranty period has expired.

Free of charge repair provision or exchange

1. The product will be repaired free of charge when malfunction has occurred while using the product following the advisory in the Instruction Manual, label affixed to the main unit, etc., only within the warranty period.
2. Following will be exchanged or repaired with charge even within the warranty period.
 - (a) If this document is not presented.
 - (b) If the purchase specification is not presented or word in this document is rewritten.
 - (c) Malfunction or damage caused by misuse, or illegal repair or modification.
 - (d) Malfunction or damage caused by transportation, dropping, getting wet, etc., after delivery.
 - (e) Malfunction or damage caused by fire, pollution, abnormal voltage, earthquake, lightning strike, wind or flood damage, or other extraordinary natural phenomenon.
 - (f) Malfunction or damage caused by usage under severe condition.
 - (g) If the cause of malfunction is other than the product itself.
 - (h) Replacement of consumables such as accessories.
 - (i) Malfunction or damage caused by installing in a vehicle, ship, etc.
 - (j) Malfunction or damage caused by usage other than standard household (industrial use, etc.).
 - (k) Malfunction caused by not following the "Safety caution" described in the Instruction Manual.
3. Consumables are not covered by the warranty.
4. Shop Japan is not liable for the collateral damage caused by the malfunction of this product.
5. Contact the Shop Japan Customer Service Center for any unclear point regarding the warranty.
6. This document is valid only within Japan.
7. This document is not reissued, so store in a safe location.

Service

1. The repair after the warranty period can be performed with charge upon request.
2. Shop Japan will maintain the repair capacity parts for 6 years after discontinuation of production.
Note: The repair capacity parts are the parts necessary to maintain that product.