

OASIS2800

Patio Sun Shades



Solar Screen Patio Shades for large patios and exterior window applications

- Custom sizes to 19' wide
- Motorized with Somfy or Driven by Lutron™ Systems
- Hand manual crank operation available
- Choice of side track or cable guide system
- Welded fabric edges for durability

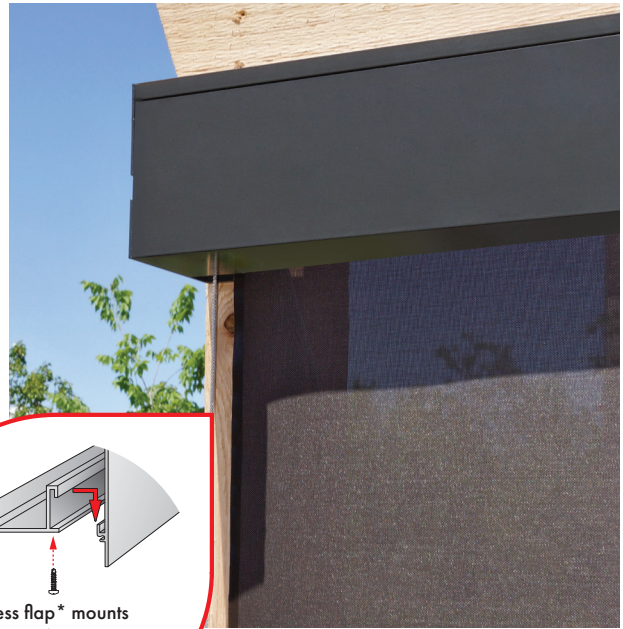


Head Box & Pocket Options

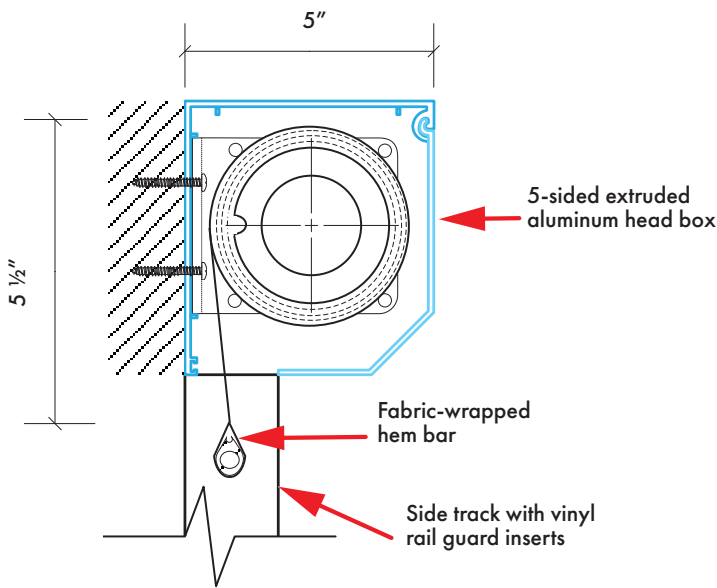
5" x 5 1/2" Extruded Aluminum Head Box



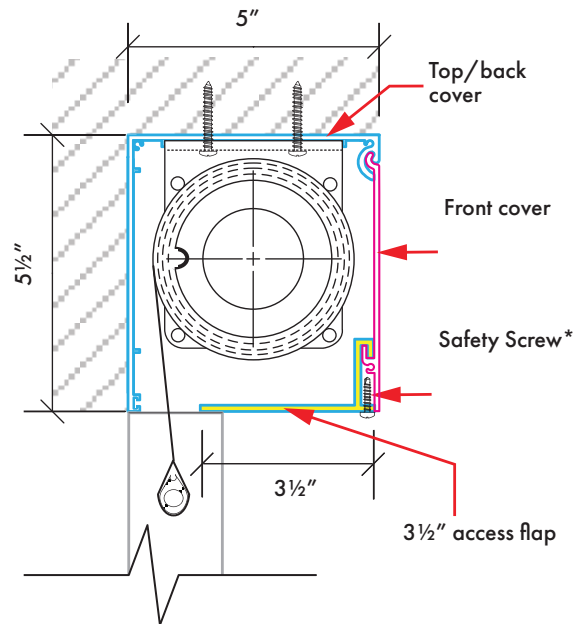
5" x 5 1/2" Extruded Aluminum Pocket



Shown as exposed pocket application



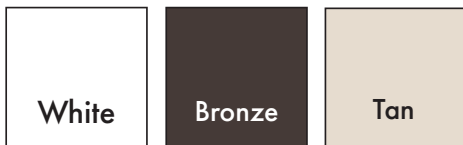
Surface or ceiling mount.
Surface mount shown.



Surface or ceiling mount.
Ceiling mount shown.

*Safety screw required to ensure access flap is secure

Oasis 2800
Hardware
colors

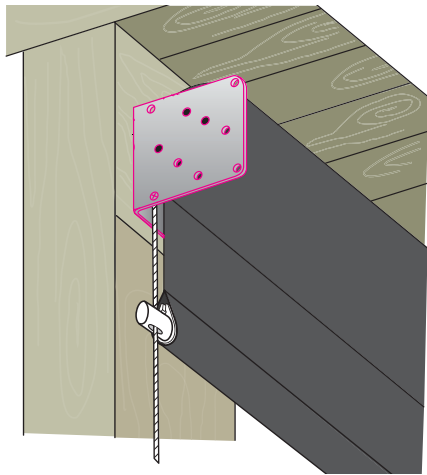


All hardware options available with side track or cable

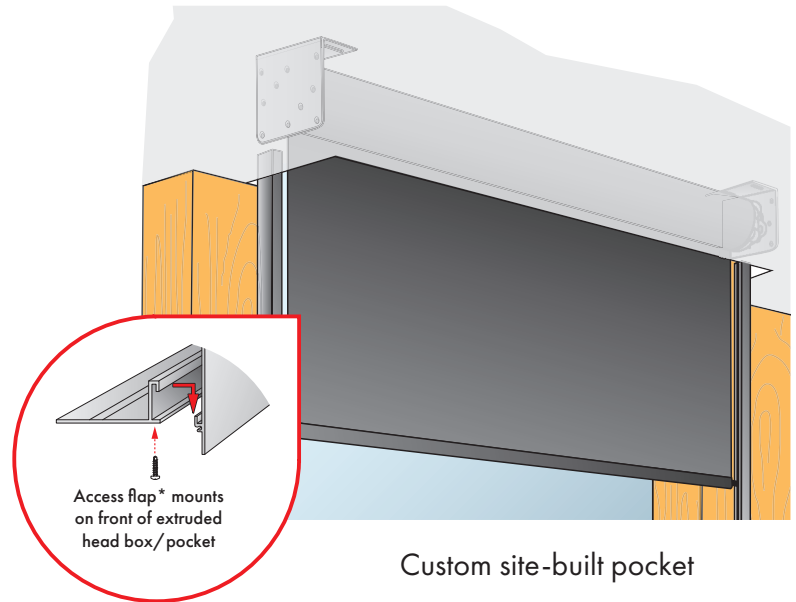
Note: Extruded Pocket is not available with crand & gear operation.

Exposed Roller Applications & Custom Pocket

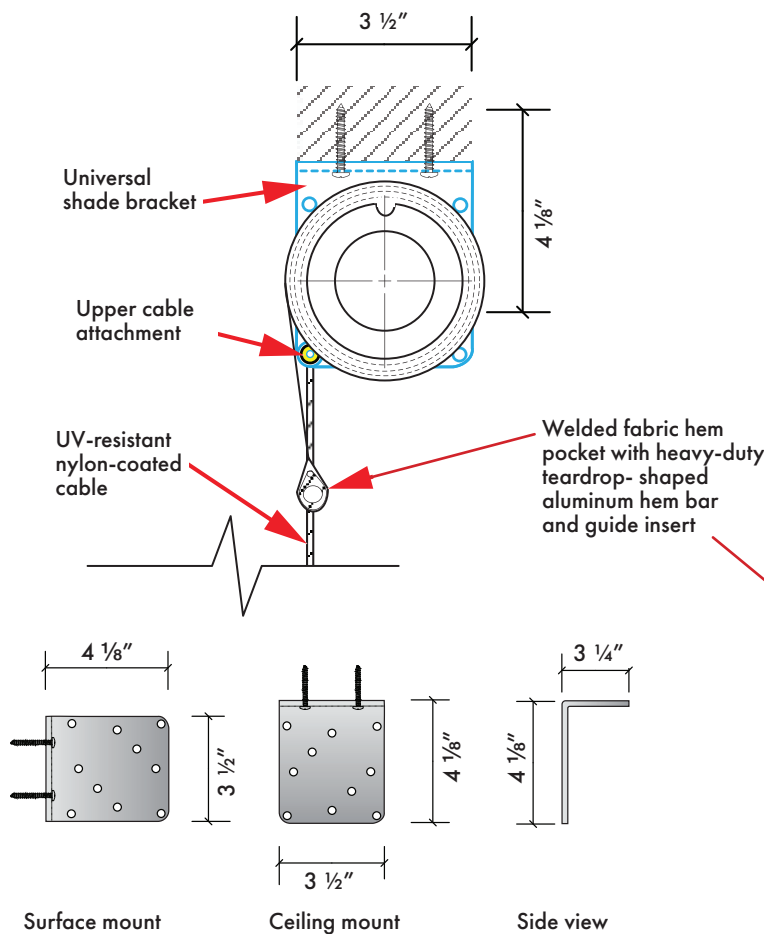
4 1/8" x 3 1/2" Exposed Bracket



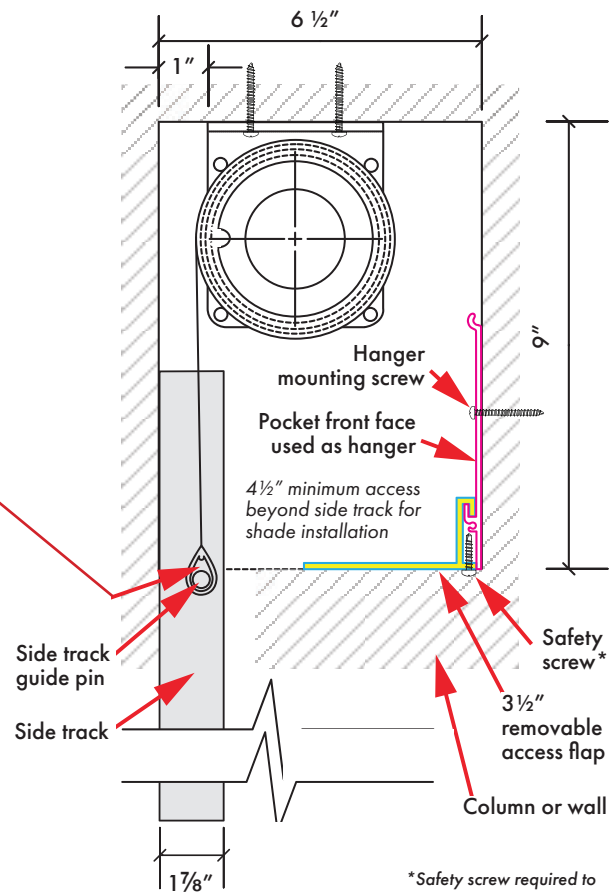
Site-built Pocket



Custom site-built pocket



Universal Shade Brackets
Surface or ceiling mount



*Safety screw required to ensure access flap is secure

Fabric Guide Systems

Side Track Guide System



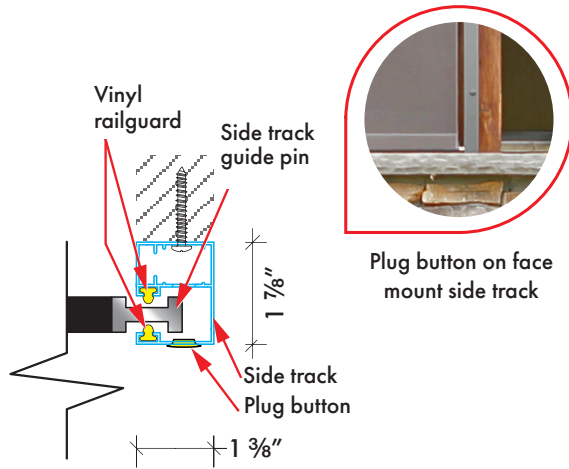
Side mount shown

Cable Guide System



Nylon-coated stainless steel cable

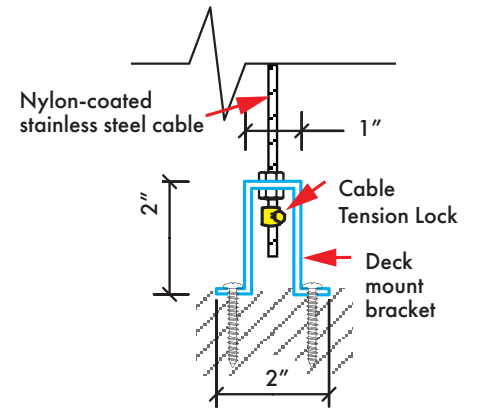
Note: Cable is installed 1" inside outer edge of head box.



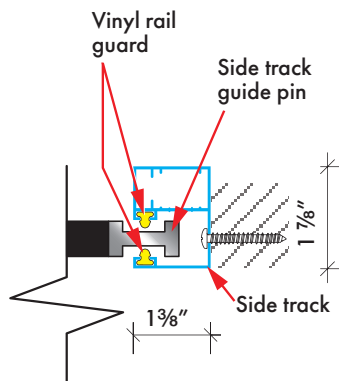
Face mount



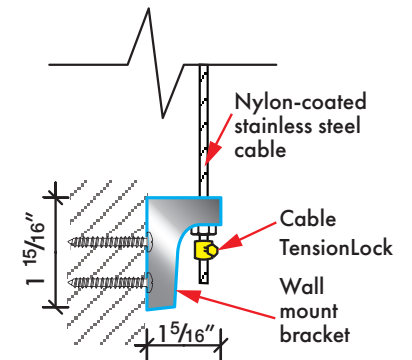
Plug button on face mount side track



Deck mount cable bracket

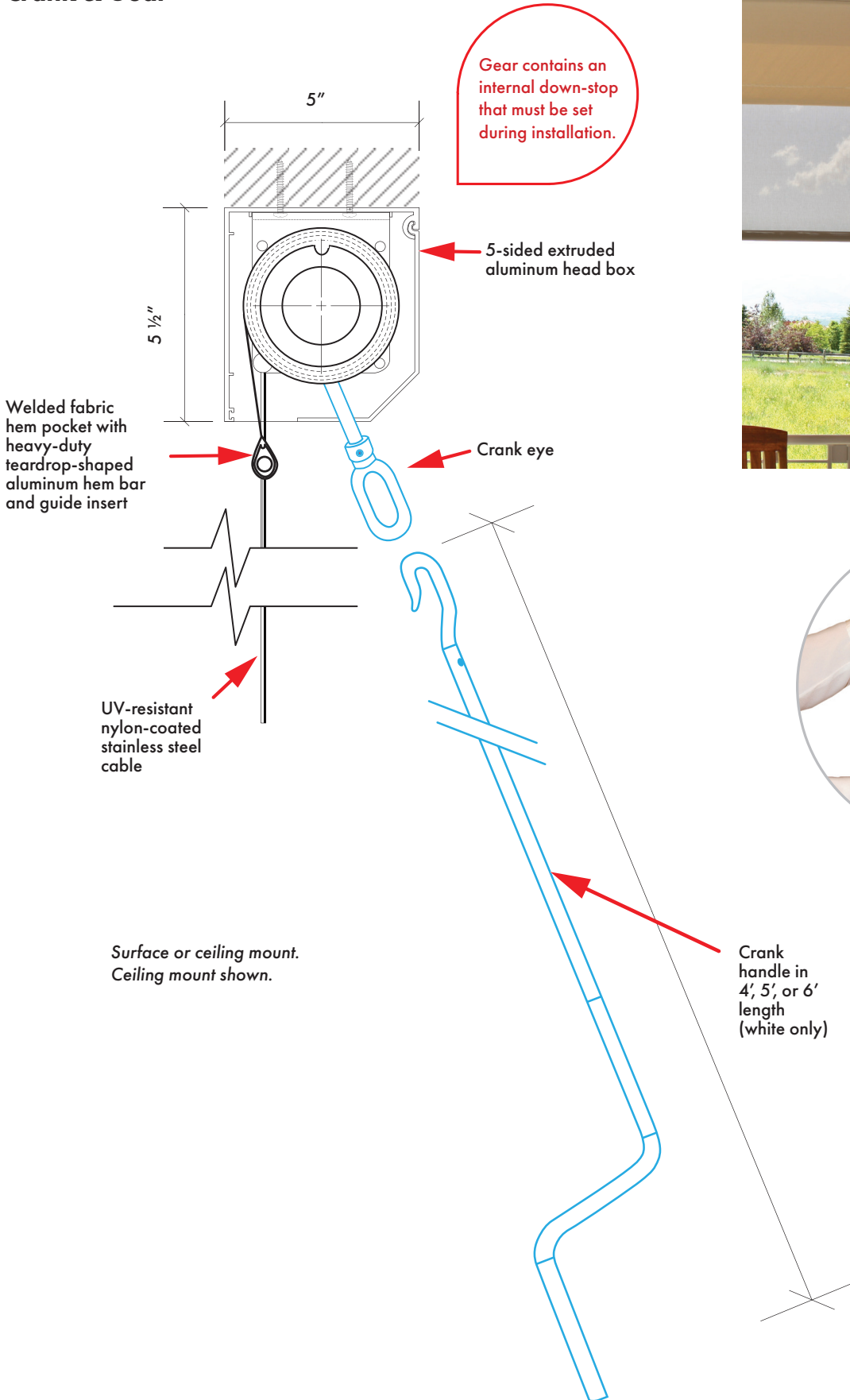


Side mount



Wall mount cable bracket

Crank & Gear



Motorized & Automated Operation



Somfy Radio Motor Control

Somfy has been the international leader in motorization for outdoor shading systems for nearly 50 years. Insolroll's Quiet Radio Motor (IQM-ACR) is a 110 V AC motor utilizing a 6 N·m or 10 N·m Somfy motor depending upon shade size.

Additional Motor Options

- IQM-AC: 110V AC quiet bi-directional motor with 4-wire hardware switch control
- IQM-485-AC: 110V AC power input and data cable connection to digital network. Ideal for large home automation and building control applications.

Lutron Electronic Drive Unit

Our Technical Alliance with Lutron Electronics brings best-in-class motorized outdoor shading systems to the luxury home market. Lutron Roller 300 Electronic Drive Unit 35 V DC drive integrates seamlessly with Lutron Homeworks QS®, Radio RA2®, and Caséta® Controls.

Control Options

- Simple wireless switches and transmitters for stand-alone applications, RadioRA® 2 or Caséta® wireless lighting control systems
- Complete integration with Lutron HomeWorks®



Indoor wireless Radio Wall Switch (available with 1, 2, 3, 4, or 5 channels)



Outdoor radio transmitter (single-channel or 5-channel)



MyLink wifi app control for iOS, Android, and integration devices



RF Dongle Radio Receiver



Pico® Wireless Remote Control Transmitter



Tabletop pedestal for Pico Remote