



**OCTAGONAL ROOF LIGHTS**

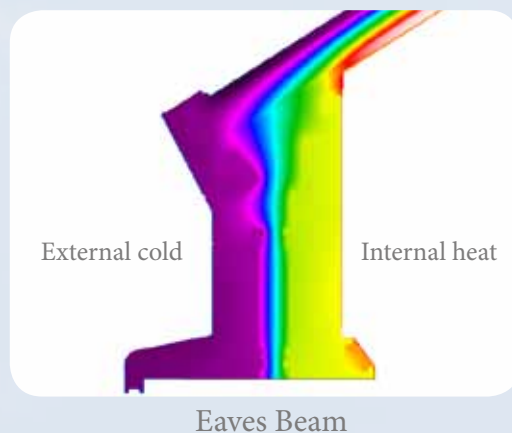
THERMALLY BROKEN ALUMINIUM  
ROOFLIGHTS

# Natural choice for natural light

## What does thermally broken mean?

Our system is one of the most thermally efficient systems available on the market.

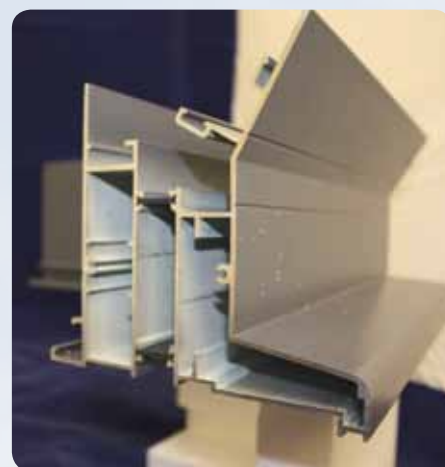
Both internal and external components are completely isolated from each other by means of either polyamide strip, thermal barriers, insulation and isolators, so there are no cold bridges, thus reducing temperature transfer to a bare minimum.



Please make sure you notice these features when comparing us to other 'so called' thermally broken roof systems that are available on the market.



Another key feature bespoke to our system is that both the glass and glazing bar system does not project outside our eaves beam, i.e. reducing a cold bridge even further.



With lower thermal U values in mind our standard glazing material is 28mm double glazed units, with a centre pane U value of 1.2 W/m<sup>2</sup>. This U value can be further reduced to an outstanding 0.7 W/m<sup>2</sup> by using 50mm triple glazed option (dependant on roof style).

Designing a roof to lower U values even further is achieved by maximizing glass area (maximum glass to aluminium ratio), i.e. the least amount of glazing bars possible.



*Natural choice for natural light*

## Octagon Rooflights



Octagon rooflight above is 1.8 metres wide at 30 degree pitch with spike finial.

Octagon lantern rooflight 2.2 metres wide at Leamington Spa magistrates court.



## *Natural choice for natural light*



Octagon rooflight 1.9 metres wide at 30 degree pitch

As with all our rooflights, octagons are made to measure with all your choice of specifications available.

We also manufacture trapazoidal roof vents for pyramids/octagon rooflights, eliminating extra bars required to house square vents.





*Natural choice for natural light*

## Roof Vents



Roof vents are purpose made to your exact requirements and can accommodate glass thicknesses from 6mm to 50mm (28mm is our standard).

Powder Coated to any standard RAL colour of your choice.

Manual, 230 Volt or 24 Volt electrical operation options available.



100T Digital control panel with rain sensor and thermostat



Electrical chain motor



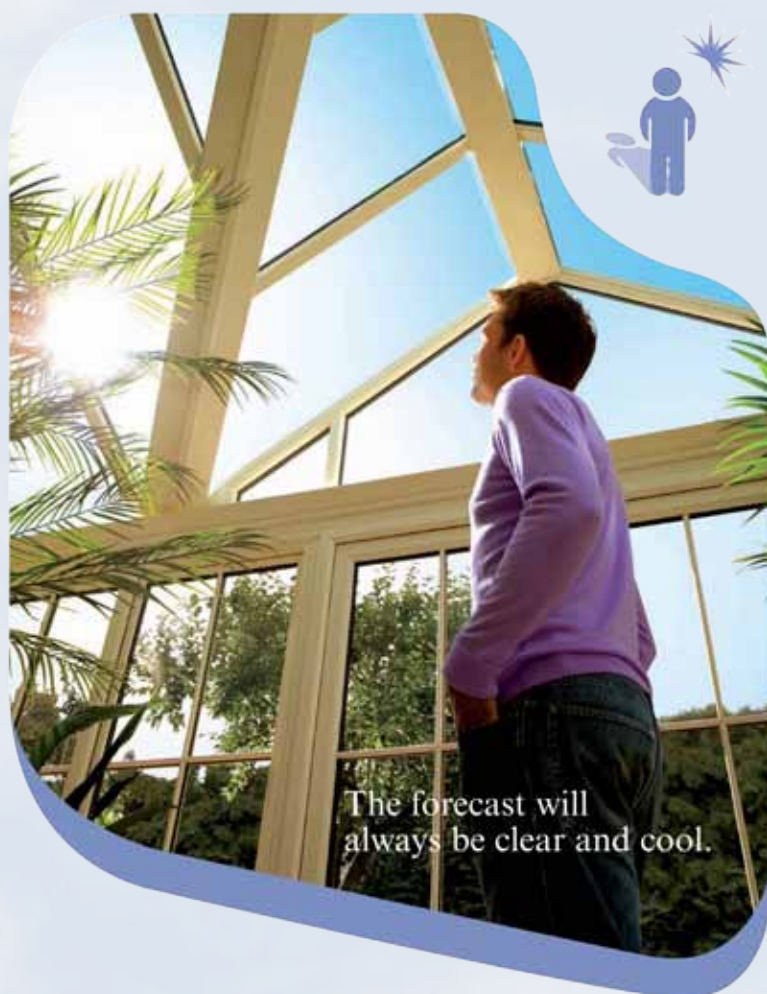
Manual worm gear



On/Off Retractive switch



## Glass Options



There's an abundance of different glass specifications to choose from.

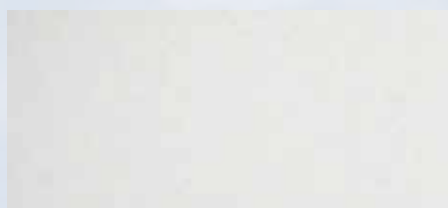
Our preferred supplier is Pilkington Glass as they are an established company and household name.

Our standard specification for glass is 28mm Clear toughened double glazed units (with a centre pane U value of 1.2 W/m).

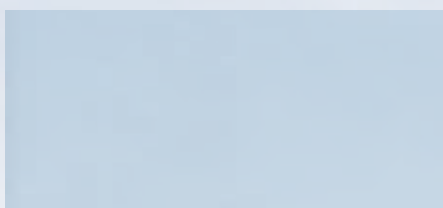
However, we do offer a 50mm triple-glazed unit option (with a centre pane U value of 0.7 w/m<sup>2</sup>)

Glass upgrades such as Activ Self Cleaning and also Activ Blue or Neutral (Grey) Solar controlled options are available just to name a few.

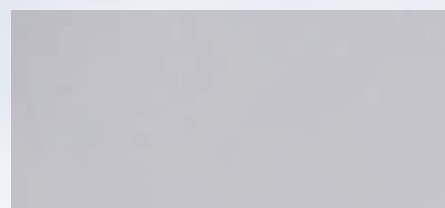
Glass samples and more technical information available on request.



Clear Activ



Solar Blue Activ

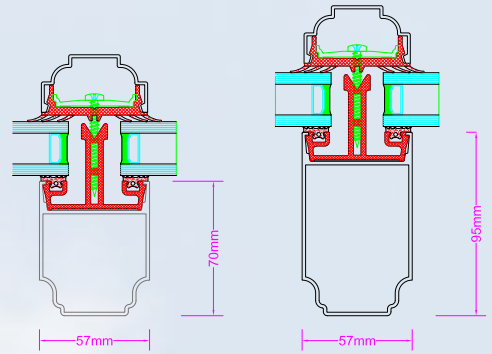
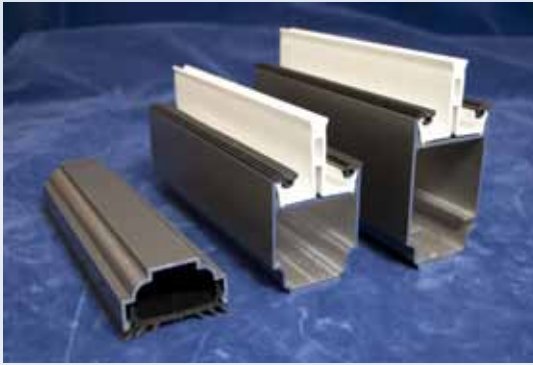


Solar Neutral Grey Activ

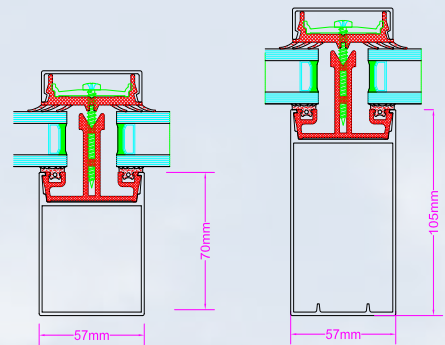
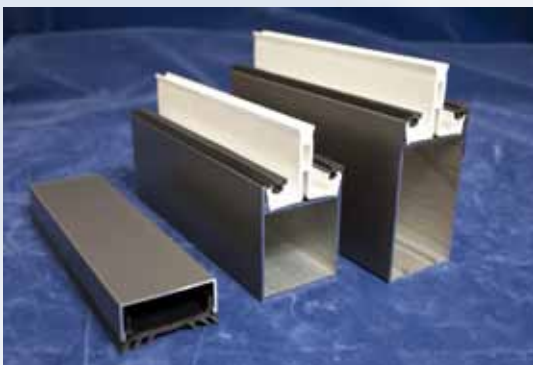
*Natural choice for natural light*

# Profile choices

Ornate Profile



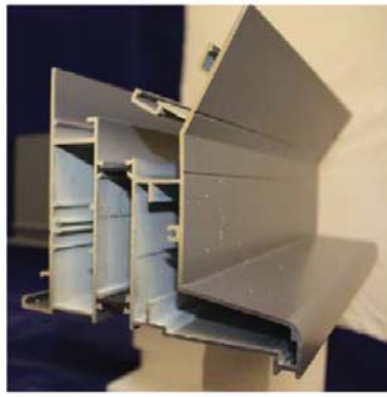
Square Profile



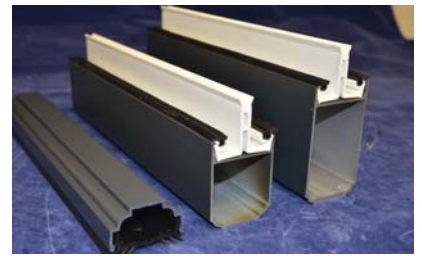
Samples available upon request



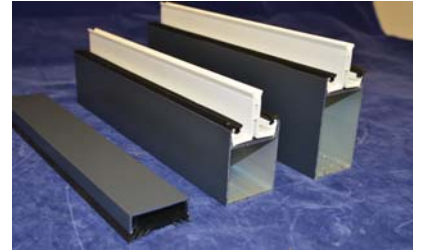
# TYPICAL KERB DETAIL



Eaves Beam



Ogee Bar Profile



Square Bar Profile

