



## OIL BATH SEALS

### INTERCHANGE LISTING

STEMCO	NATIONAL	SKF	TRISEAL	INNER CONE
307-0723	370065A	CR42623	65262U	593, HM518445
307-0713	370036A	CR40136	65261U	663
307-0743	370025A	CR46305	65060U	HM218248
307-0744	370037A	CR43752	65298U	665A
307-0864	370048A	CR43764	69697	6461A
307-0836	370001A	CR35066	65263U	HM212047
307-0903	370022A	CR45099	69793	580, 582
309-0915	370024A	CR38750	65152U	47678
309-0960	370005A	CR48000	69798	594A, 598A
309-0973	370003A	CR47697	65156U	598A, 594A, 598

  
**STEMCO®**



**National®**



**SKF®**

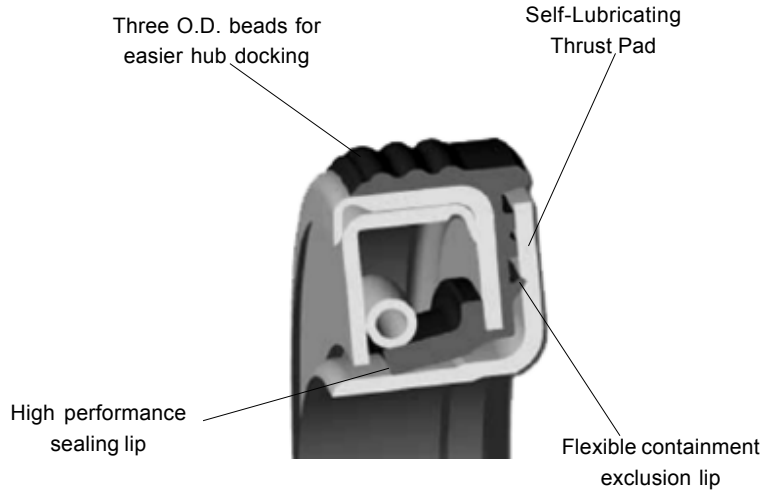


**TRISEAL**





**STEMCO GUARDIAN/GUARDIAN HP SEAL CROSS REFERENCE**



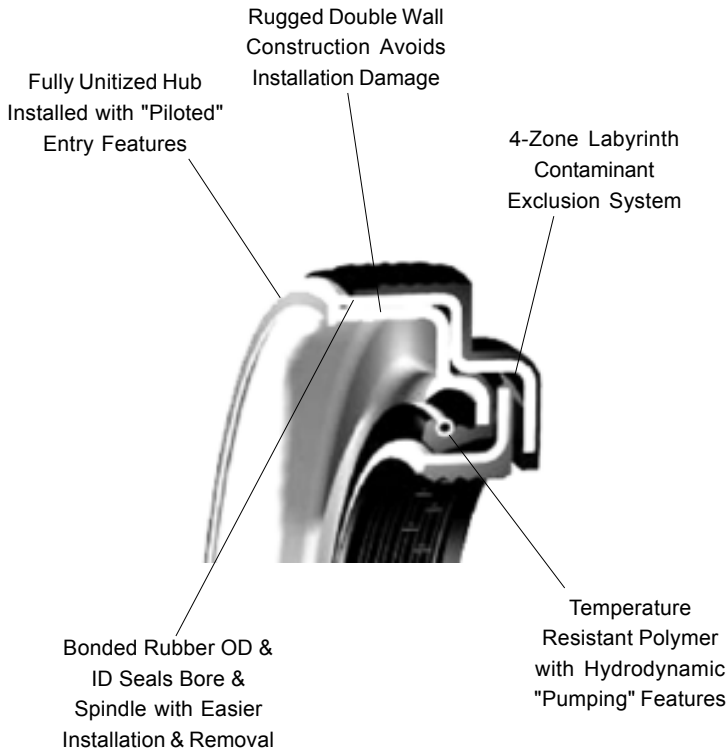
CR Scotseal/ Scotseal Plus	Stemco Guardian	National Unitized	Stemco Guardian
35066 / 35059	<b>*308-0836</b>	370001A	<b>*308-0836</b>
38780/38779/38783	<b>309-0912</b>	370003A	<b>*309-0973</b>
40134 / 40133	<b>*307-0713</b>	370005A	<b>309-0960</b>
40136 / 40133	<b>*307-0713</b>	370022A	<b>*309-0903</b>
42623 / 42622	<b>*307-0723</b>	370023A	<b>309-0912</b>
42672 / 42671	<b>*309-0904</b>	370025A	<b>307-0743</b>
43752 / 43753	<b>307-0744</b>	370031A	<b>309-0904</b>
43764 / 43763	<b>*308-0864</b>	370034A	<b>*309-0973</b>
		370036A	<b>*307-0713</b>
43875 / 47695	<b>309-0973</b>	370036A	<b>*307-0713</b>
	w/364-6402	370048A	<b>*308-0864</b>
45099 / 45097	<b>*309-0903</b>	370065A	<b>*307-0723</b>
45103/45102/45105	<b>308-0856</b>	370338A	<b>307-0744</b>
45152 / 47695	<b>*309-0973</b>	370349A	<b>307-0713</b>
45160 / 45158	<b>309-0964</b>	376590A	<b>307-0723</b>
46305 / 46304/46308	<b>307-0743</b>		
47690	<b>309-0960</b>		
47697/47695/47698	<b>*309-0973</b>		
48000/48001/48002	<b>309-0960</b>		

**Stemco Guardian and Stemco Guardian HP\***





**STEMCO VOYAGER SEAL CROSS REFERENCE**

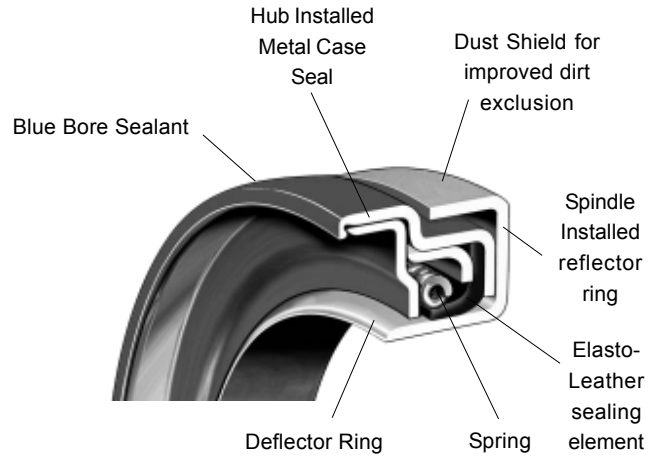


VOYAGER®	CR	CR PLUS	NATIONAL	OUTRUNNER
373-0113	40136	40133	370036A	850
373-0123	42623	42622	370065A	851
373-0143	46305	46304	370025A	859
373-0144	43752	43754	370037A	853
383-0136	35066	35059	370001A	847
383-0139	39988	39977	370033A	
383-0156	45103	45102	370131A	857
383-0164	43764	43763	370048A	863
383-0166	28758		370150A	
383-8139	39988		370033A	
393-0103	45099	45097	370022A	856
393-0104	42672	42671	370031A	852
393-0112	38780	38779	370023A	849
393-0173	47697	47695	370003A	861



**STEMCO GRIT GUARD AND DISCOVER SEALS**

**GRITGUARD**



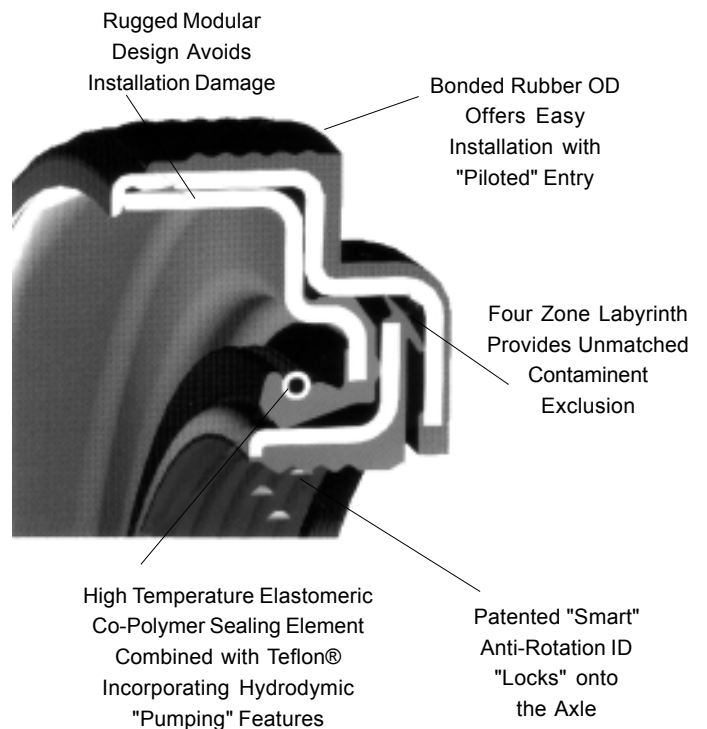
*Designed to reduce maintenance and prevent unnecessary wear on expensive spindles, the Grit Guard® two-piece design provides effective and lasting protection against contamination.*

GRIT GUARD®	SKF	NATIONAL
372-7091		
372-7095	43753	370037A
372-7097	46305	370025A
372-7098	40136	370036A
372-7099	42623	370065A
392-9087	47699	370006A
392-9088	45160	370021A
392-9089		
392-9094	35066	380001A
392-9099	38745	370023A
392-9112	42672	380031A
392-9130		
392-9131	47697	370003A
392-9132	47690	370005A



*Discover® Seals.  
Hub Installed. Unitized Design  
Minimizing Costs by Exceeding the Industries' Best.*

DISCOVER®	SKF	NATIONAL
373-0223	42623	380065A
373-0243	46305	380025A
383-0236	35066	380001A
383-0264		
393-0273	47697	380003A



**Discover**





## STEMCO PINION SEALS

### *Technology Advanced Sealing Solutions*

<b>Part #</b>	<b>Interchanges</b>	<b>Application</b>	<b>Tool#</b>
<b>429-0002</b>	CR 34822,34891 <i>National</i> 415991N	Mack Front (Input)	551-5360
<b>429-0003</b>	CR 26373,26378 <i>National</i> 9773	Eaton 400 Rear Input	551-5001
<b>429-0004</b>	CR 26200,26239 <i>National</i> 475003N	Eaton 400 Front Input	551-5003
<b>429-0005</b>	CR 29865/7,30007 <i>National</i> 415281N	Meritor SQ100 Front	551-5004
<b>429-0006</b>	CR 29292,29322 <i>National</i> 475012N	Eaton 402 Front Input	551-5002
<b>429-0007</b>	CR 32385/397/410 <i>National</i> 416470N	Meritor R145/160 Ft	551-5006
<b>429-0008</b>	CR 27295,27558 <i>National</i> 475322N	Mack Front	551-5007
<b>429-0009</b>	CR 27542,27565 <i>National</i> 415272N	Mack Rear (Output)	551-5008
<b>429-0010</b>	CR 30145,30153 <i>National</i> 100263	Meritor SQ100 Rear	551-5009
<b>429-0011</b>	CR 32870 <i>National</i> 4544V	Meritor RT 180, 380	551-5011
<b>429-0012</b>	CR 29528 Eaton Front & Rear	344, 404, 405, 454	551-5012



### WHY STEMCO?



#### **Easy Installation.**

The single piece, unitized design is installed in one step using the yoke bolt or nut to install seal.

#### **Repair Sleeves Not Required.**

The unitized design incorporates a wear ring to provide an ideal running surface for the sealing lip, thus eliminating the need for repair sleeves that often change the seal lip angle during operation, resulting in reduced life.

#### **Eliminate Yoke Wear.**

Sealing lips are contained in a manner that prevents yoke surface contact from the lip. New yokes will remain new at the sealing point.

#### **Repair "Grooved" Yokes.**

The patented "SMART" features of STEMCO's Unitized Pinion Seal make most yokes reusable due to the wide contact area of the ID.



#### **Eliminate Leak Paths.**

Bore sealant on the OD and the wide contact area on the ID eliminate leak paths to avoid premature failures.

#### **Reduce Contamination Failures.**

To promote long life, a labyrinth path with multiple dust lips prevents contamination ingress into the sealing lip and oil.

#### **Long-Life Performance.**

Fluoroelastomer rubber on the main sealing lip withstands the high heat consistent with pinion seal applications.



## SKF (C/R) SCOTSEAL FAMILY INTERCHANGES

# SKF®



Scotseal Classic	Scotseal Plus XL	National	National 5 Star	Stemco Guard G.G. Wheel Sets	Stemco (Seal w/Ring)	Stemco Voyager	Eaton Outrunner
CR27438						382-8016	
CR28758	CR28759	370150a	-	308-0866	(2164/1008)	383-0166	-
-	CR29480	370211A	-	-	-	-	-
CR28820							
CR31281							
CR35000	CR34994	370169A	-	392-9036	(2057/1063)	-	-
CR35066	CR35058	370001A	380001A	308-0836 382-8036	(2702/1702) (2036/1036)	383-0136	847
CR38750	-	370024A	-	309-0915 392-9099 309-0912	(2102/1091) (2102/1501) (2707/1707)	393-0115	848
CR38780	CR38776	370023A	380023A	392-9099	(2102/1501) (2102/1091)	393-0112	849
CR39988 w/CR456301	CR39979 w/CR456301	370033A w/AR-12	-	382-8039 382-8023	(2039/1038) (2039/1011)	383-0139	-
CR40086	CR40091	370066A	-	382-8001	(2086/1013) (2704/1704)	383-0101	-
CR40136	CR40129	370349A/ 370036A	380036A	307-0713 372-7098	(2109/1507) (2109/1013) (2023/1503)	373-0113	850
CR42623	CR42627	376590A/ 370065A	380065A 385690A	307-0723 372-7099	(2705/1705) (2023/1023)	373-0123	851
CR42672	CR42673	370031A	380031A	309-0904 392-9090	(2718/1705) (2213/1515) (2709/1709)	393-0104	852
CR43752	CR43754	370338A 370037A	-	307-0744 372-7095	(2118/1510) (2118/1037)	373-0144	853
CR43764	CR43761	370182A/ 370048A	380048A	308-0864 382-8064	(2711/1711) (2137/1037)	383-0164	-
CR45099	CR45093	370022A	380022A	392-9094	(2129/1511) (2129/1093) (2710/1710)	393-0103	856
CR45103	CR45095	370131A	380131A	308-0855 308-0856 382-8056 309-0964	(2710/1706) (2199/1093) (2712/1712)	383-0156	857
CR45160	CR45157	370021A	-	392-9088	(2113/1517) (2113/1093) (2710/1701)	-	858
CR46305	CR46300	370025A	380025A	307-0743 372-7097 309-0973	(2110/1504) (2110/1048) (2703/1703)	373-0143	859
CR47697	CR47692	370003A	380003A	392-9098	(2106/1502) (2106/1111)	393-0173	861
CR47699	-	370006A	380003A	309-0970	-	392-9087	-
CR48690	-	370195A	-	392-9034	-	393-0134	-

\*Guard - (Guardian / G.G. - (Grit Guard))

# SKF®



## SKF (C/R) SCOTSEALS



# SKF®

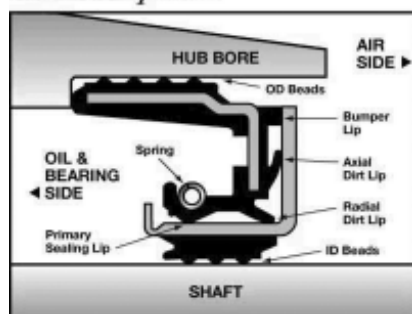


## XL SCOTSEALS®

### SCOTSEAL® PLUS XL

*A whole new level of sealing performance and endurance!*

**Scotseal plusXL**



- Reformulated elastomeric material withstands extreme heat and cold.
- Synthetic lubrication-friendly. Compatible with all commonly used fluids.
- Installs easily and correctly without special tools.
- Better dirt exclusion than any other seal on the market.
- Outstanding quality and performance.

Scotseal XL	Description	National Interchange	Stemco Interchange
CR35058	Scotseal Plus	370001A	308-0836, 382-8036
CR38776	Scotseal Plus 3.875 Shaft x 5.704 O.D.	370023A	309-0912, 392-9099
CR40129	Scotseal Plus 4.00 Shaft x 5.767 O.D.	370349A	307-0713, 372-7098
CR42627	Scotseal Plus 4.250 Shaft x 6.025 O.D.	370065A	307-0723, 372-7099
CR42673	Scotseal Plus 4.250 Shaft x 6.254 Bore	370031A	309-0904, 392-9112
CR43754	Scotseal Plus	370338A / 370037A	307-0744, 372-7095
CR43761	Scotseal Plus	-	308-0864
CR44916	Scotseal Plus 4.500 Shaft x 5.389 O.D.	370124A	308-0853, 382-8053
CR45093	Scotseal Plus	370022A	309-0903, 392-9094
CR45095	Scotseal Plus 4.500 Shaft x 5.890 O.D.	370131A	308-0856, 382-8056
CR46300	Scotseal Plus	370025A	307-0743, 372-7097
CR47691	Scotseal Plus	-	-
CR47692	Scotseal Plus	370003A	309-0973, 392-9098
CR48002	Scotseal Plus	370005A	392-9081, 309-0960

# SKF® SCOTSEALS® SKF®

Scotseal	Description	National Interchange	Stemco Interchange
CR28820	Scot Seal 2.875 I.D. x 4.126 O.D.	370010A	392-9063
CR31281	Scot Seal 3.125 I.D. x 4.50 O.D.	370014A	372-7049, 382-8062
CR40086	Scot Seal 4.000 Shaft x 5.631 O.D.	370066A	382-8001
CR43754	Scot Seal 4.375 I.D. x 5.764 O.D.	370037A	372-7095
CR47483	Scot Seal Bus Application	-	392-9066
CR48690	Scot Seal	370195A	392-9034



## NATIONAL SEALS

# National®




Part No.	Description	SKF Cross	Stemco Cross
<b>370001A</b>	37 Series Oil Seal	35058, 35066	308-0836, 382-8036
<b>370003A</b>	37 Series Oil Seal	47692, 47697	392-9131, 393-0273
<b>370005A</b>	37 Series Oil Seal	48002	309-0960, 392-9132
<b>370008A</b>	37 Series Oil Seal	39378, 39380,	392-9018
<b>370009A</b>	37 Series Oil Seal	39420, 39423, 39425, 39426	309-0957
<b>370011A</b>	37 Series Oil Seal	36356, 36357, 36358, 36365	382-8071
<b>370014A</b>	37 Series Oil Seal	31281	-
<b>370021A</b>	37 Series Oil Seal	45160	392-9088
<b>370022A</b>	37 Series Oil Seal	45093, 45099	392-9094, 393-0104
<b>370023A</b>	37 Series Oil Seal	38776, 38780	309-0912, 392-9099
<b>370025A</b>	37 Series Oil Seal	46300, 46305	372-7097, 373-0143
<b>370031A</b>	37 Series Oil Seal	42672, 42673	392-9112, 393-0104
<b>370033A</b>	37 Series Oil Seal	39988	382-8039, 383-8139
<b>370036A</b>	37 Series Oil Seal	40129, 40136	307-0713, 372-7098
<b>370037A</b>	37 Series Oil Seal	43752, 43753	307-0744
<b>370047A</b>	37 Series Oil Seal	34384, 34386, 34387	309-0935
<b>370048A</b>	37 Series Oil Seal	43761, 43764	382-8064, 308-0864
<b>370065A</b>	37 Series Oil Seal	42623, 42627	372-0223, 372-7099
<b>370106A</b>	37 Series Oil Seal	42550	392-9045
<b>370120A</b>	37 Series Oil Seal	55177	392-9053
<b>370132A</b>	37 Series Oil Seal	34971, 34975	382-8063, 308-0863
<b>370150A</b>	37 Series Oil Seal	28758, 28759	308-0866, 382-8066
<b>370182A</b>	37 Series Oil Seal	43761, 43764	382-8063 383-0164
<b>370199A</b>	37 Series Oil Seal	23590	383-0175
<b>370211A</b>	37 Series Oil Seal	29480	383-0176
<b>370219A</b>	37 Series Oil Seal	-	-
<b>376590A</b>	37 Series Oil Seal	42623, 42627	-

**National Teflon Oil Seals**

Part No.	Description	SKF Cross (Scotseal XL)	Stemco Cross
<b>380001A</b>	38 Series Oil Seal	35058	382-8036, 308-0836
<b>380003A</b>	38 Series Oil Seal	47692	392-9131, 309-0973
<b>380022A</b>	38 Series Oil Seal	45093	392-9094, 309-0903
<b>380023A</b>	38 Series Oil Seal	38776	392-9099
<b>380025A</b>	38 Series Oil Seal	46300	372-7097, 307-0743
<b>380031A</b>	38 Series Oil Seal	42673	392-9112, 309-0904
<b>380036A</b>	38 Series Oil Seal	40129	372-7098, 372-7003, 392-9032
<b>380048A</b>	38 Series Oil Seal	43761	308-0864
<b>380065A</b>	38 Series Oil Seal	42627	372-7099, 307-0723



**BOSS SEALS*****INTRODUCING BOSS™ SEALS***

<b>Part No.</b>	<b>Description</b>
B35066 -	Steer axle seal
B370001 -	Front axle seal
B46304 -	TN/TQ/D22 trailer axle seal
B46305 -	TN/TQ/D22 trailer axle seal
B42623 -	TP/P22 axle seals
B47697 -	Drive axle seal.

High quality, thoroughly engineered with extensive testing.

Easy to Install!

Manufacturing facilities are ISO 9001 and TS16949 certified to ensure reliable, consistent performance.

One year warranty.

***COMPETITIVELY PRICED!***



## STEMCO HUB CAP PREFIXES

PreFix	Description
<b>340/300</b>	Standard cast alum w/o side fill
<b>342-</b>	Cast Alum dirt exclusion grease.
<b>343/303</b>	Cast alum w/ side fill and red plug.
<b>347-</b>	Cast alum w/hubo mt hole and vent
<b>348-</b>	Cast alum Sentinel® oil w/ side fill.
<b>349-</b>	Cast alum Sentinel® grease w/o side fill.
<b>352-</b>	Cast alum w/ solid top, grease w/o side fill.



## STEMCO POPULAR HUB CAPS LISTING

### Part No. Description

- 300-4009** Standard 6 hole hub cap without oil port.  
**340-4013** Standard 5 hole hub cap without oil port.  
**340-4019** Standard 3 hole hub cap without oil port.  
**340-4024** 6 hole hub cap w/o oil port, 3.5id, 5.25od  
**340-4075** Screw on hub cap.  
**340-4095** 6 hole hub cap w/o oil port, 4.56id, 6.19od  
**340-4195** 6 hole hub cap w/o oil port, 5.44id, 7.5od  
**340-4370** 6 hole PSI for grease. 5.5" bolt centers  
**340-4372** 6 hole PSI for grease. 6.5" bolt centers  
**340-4975** 6 hole TRAILER HUBCAP  
**340-5096** 6 hole for grease, steel, vented.

- 342-4009** 6 hole, dirt exclusion, with gasket.  
**342-4195** 6 hole, dirt exclusion, for grease.



**300-4009**  
6 hole cap  
w/o oil port



**340-4075**  
Screw on  
cap



**340-5096**  
Stemco Vented  
Steel Cap

### Part No. Description

- 303-4009** Standard 6 hole hub cap *with* oil port.  
**343-4013** Standard 5 hole hub cap with oil port.  
**343-4019** Standard 3 hole hub cap with oil port.  
**343-4024** 6 hole hub cap with oil port, 3.5id, 5.25od  
**343-4195** 6 hole hub cap with oil port, 5.44id, 7.5od  
**343-4249** 6 hole hub cap with oil port, 4.44id, 5.19od  
**343-4370** 6 hole PSI for oil. 5.5" bolt centers  
**343-4372** 6 hole PSI for oil. 6.5" bolt centers

- 348-4009** Sentinel® 6 hole for oil, 5.5" bolt circle.  
**349-4009** Sentinel® 6 hole for grease, 5.5" bolt circle.

- 352-4009** Grease 6 hole hub cap, 5.5 b.c., vented.  
**352-4195** Grease 6 hole hub cap, 6.75 b.c vented.



**342-4009**  
6 hole dirt  
exclusion



**348-4009**  
Sentinel®  
6 hole for oil



**352-4195**  
6 hole grease  
alum cap

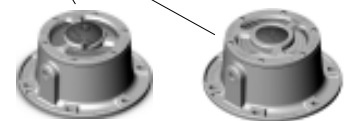
## STEMCO SENTINEL® HUBCAPS

Sentinel ESP with its patented Sentinel Technology extends seal and bearing life. It reduces contaminant build-up on windows. Clean and dry hub caps make it easier to view oil levels - no more sticking your finger into the cap to determine the lube levels. No more breakdown of the oil from power washers or submerged wheels.

**SENTINEL**

STEMCO made a running change to the popular 348 and 349 series Sentinel hub cap product line on November 1st, 2009. This design change was a general product line improvement, increasing the durability of the Sentinel hub cap. The product improvement incorporated the popular Integrated Sentinel technology, to prevent potential field damage to the red cap. Figures 1 and 2 illustrate the previous and updated Sentinel designs respectively.

- Same Part Numbers.
- Window kit part numbers will not change, but their contents will be updated to reflect the change.

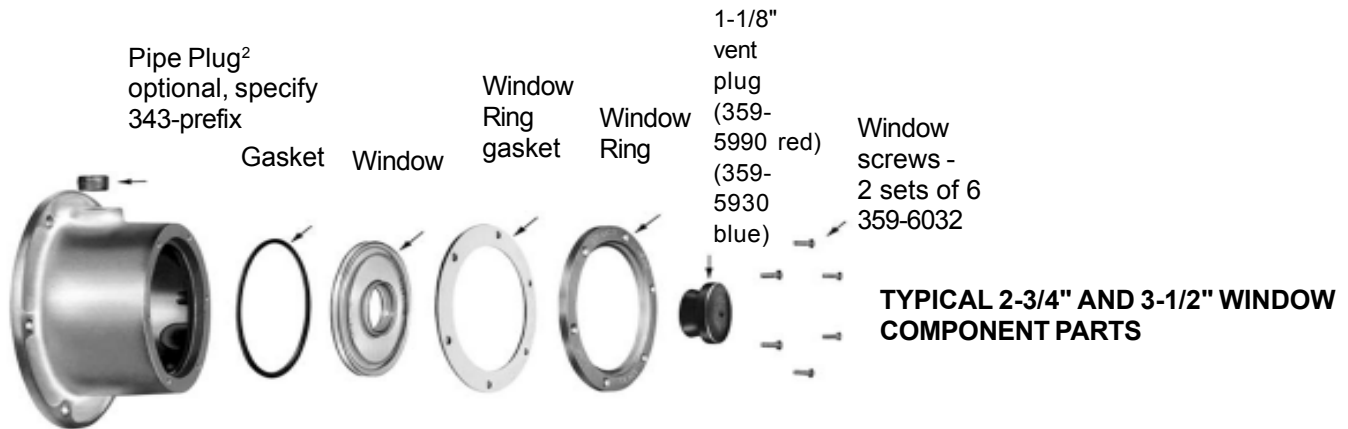


**Stemco  
Sentinel Drive  
Axle Plug  
Part No. 359-6137**

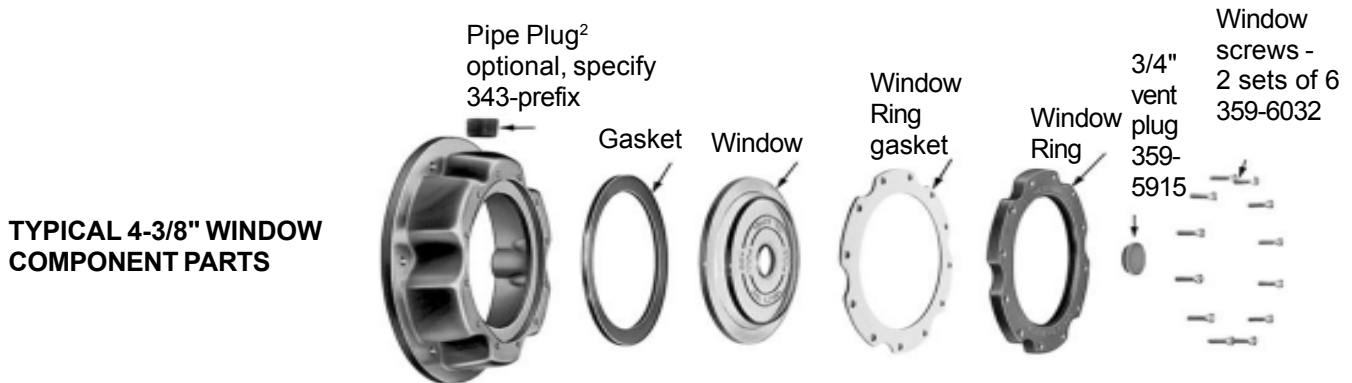
**Stemco Sentinel ESP™ Extended Service Hubcap Plug** Fits all other Stemco caps using 359-5990 plug. **Part No. 359-6125**



**STEMCO HUBCAP COMPONENT PARTS**



**TYPICAL 2-3/4" AND 3-1/2" WINDOW COMPONENT PARTS**



**TYPICAL 4-3/8" WINDOW COMPONENT PARTS**



*A Higher Standard of Performance.<sup>SM</sup>*

Window Diameter	Window	Gasket	Window Ring	Window Ring Gasket	Vent Plug	Screw Set Set of 6	Window Kit <sup>1</sup>
2-3/4	359-5983	359-5996	359-5997 <sup>3</sup>	359-3136	359-5990 <sup>4</sup>	359-6032	359-5999
3-1/2	359-5994	359-5991	359-5992	359-3127	359-5990 <sup>4</sup>	359-6032	359-5995
3-1/2	359-5981 <sup>5</sup>	359-5991	359-5992	359-3127	None	359-6032	359-6117
4-3/8	359-5918	359-5968	359-5970	359-3137	359-5915	359-6032 <sup>7</sup>	359-5912
3-1/2	359-6049 <sup>6</sup>	359-5991	359-5992	359-3137	359-5915	359-6032	359-6100 <sup>6</sup>

<sup>1</sup>Window kit consists of window, gasket, window ring, gasket and vent plug.

<sup>2</sup>Magnetic pipe plug part number 359-5984

<sup>3</sup>5 hole window ring.

<sup>4</sup>Blue vent plug part number 359-5930

<sup>5</sup>Window for mounting Argo, Stemco and Veeder-Root hub-odometers. Be sure hub cap has pipe plug filler before mounting.

<sup>6</sup>Window with recessed vent plug.

<sup>7</sup>Two sets required.

Gasket for 34x-4195 is 330-3118.

**Window Kit for  
Dirt Exclusion  
Grease Hubcap  
Part No.  
359-6095**

**Window Kit  
Part No.  
359-6115**



*A Higher Standard of Performance.<sup>SM</sup>*

**Large Blue  
Vent Plug  
Part No.  
359-5930**

**Window Kit for  
Hubodometer  
Part No.  
359-6117**



**C/R HUBCAPS**



In addition to Scotseal TF Hubcaps for oil bath applications, the Scotseal TF line includes the Tamper-Proof Scotseal TF Hubcap, specifically designed for use with today's grease packed systems. Its patented "umbrella" style valve seals out contamination yet vents internal pressure as low as 2 PSI—even when covered with 1/4" of grease.

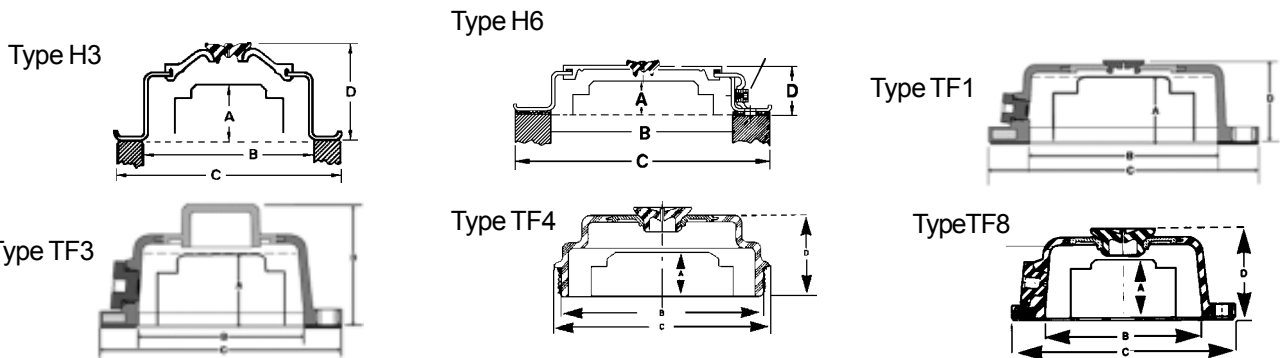


Approved by all major OE truck and trailer builders, Scotseal® TF Hubcaps are compatible with all popular oils and greases

This unique design forms a full 360° seal against the hubcap surface to protect wheel ends from damaging road spray, power washers and flooded docks.

**SKF HUBCAP SPECIFICATIONS**

To determine the correct hubcap for mounting, count the number of mounting holes, measure diameter of bolts, measure bolt circle (select 2 holes opposite each other and measure from the center of one bolt hole to the center of the one opposite).



Bolt Circle	Bolt Holes	Hole Size	Max Axle Ext (A)	I.D. (B)	O.D. (C)	Height (D)	Type	Hubcap Gasket no.	Hubcap Plug no.	Hubcap Kit no.
4.500	6	.349	1.586	3.500	6.250	2.609	TF8	CR453869	CR453807	CR1612
5.500	6	.349	5.500	1.586	6.250	1.643	TF1	CR453795	CR453979	CR1613
5.500	6	.349	1.730	4.440	6.250	2.469	TF8	CR453795	CR450434	CR1643
5.500	6	.349	1.730	4.440	6.250	2.469	TF8	CR453795	CR453807	CR1644

Bolt Circle	Bolt Holes	Bolt Size	Max Axle Ext (A)	I.D. (B)	O.D. (C)	Height (D)	Type	Hubcap Gasket no.	Hubcap Plug no.	Hubcap Kit no.
5.500	5	.313	1.742	4.525	6.313	2.683	H3	CR450775	CR450434	CR1742
5.500	6	.313	1.485	4.540	6.625	1.702	H6	CR450788	CR453813	CR1788
5.500	6	.313	1.742	4.525	6.313	2.683	H3	CR453795	CR450434	CR1743
5.562	6	.313	1.625	4.540	6.625	1.837	H6	CR450781	CR453813	CR1703
6.750	6	.349	2.887	5.645	7.500	3.688	TF8	CR453799	CR450434	CR1796



**HUBCAPS & ACCESSORIES**

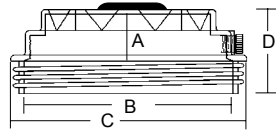
**HU009A**



**National**

Each hub cap is packed with a premium Fel-Pro flange gasket that's engineered to prevent contamination of hub lubricants and provide protection for bearings and seals. These Fel-Pro gaskets feature a nonstick coating, which makes installation hassle-free and ensures superior sealing.

**NL1568**



**Screw-on Lexan Hub Cap**

Comes with plug and ring. Similar to Propar hubcap. Interchanges to E-4075.

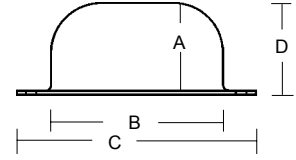
**86009**



**TRISEAL**

**Stamped Steel Hub Cap** High-tech plastic window remains clear and is shatter resistant. They pass the 200 hour CASS (salt spray) test.

**NL1013**  
Steel Cap  
(Unvented)



**Grease Steel Hub Cap**

for standard trailer applications where grease is needed. Specs Below.

Hubcap Part No.	Bolt Circle	Bolt Holes	Bolt Size	(A)	I.D. (B)	O.D. (C)	Height (D)	Gasket	Oil Port Plug	Vent Plug
<b>HU009A</b>	5.500	6	.313	2.531	4.375	6.250	2.531	<b>1011028</b>	<b>No</b>	<b>B-300</b>
<b>NL1568</b>	Threaded	6.25"X8	OD Threads	2.156	5.813	6.500	3.125	<b>401265</b>	<b>401471</b>	<b>401237V</b>
<b>86009</b>	5.500	6	.312	2.50	4.54	2.99	2.50	<b>1011028</b>	<b>No</b>	<b>YES</b>
<b>NL1013</b>	5.500	6	.313	2.25	4.563	6.18	2.313	<b>1011028</b>	<b>No</b>	<b>No</b>

**HUB CAP ACCESSORIES**

**Vent Plug**

For NL1568 and other plastic caps. Black.  
**Part No. 401237V**



**Vent Plug**

Standard Size (.030/.040) Red.  
**Part No. 401199**



**Oil Port Plug, Plastic**

For Lexan Hubcaps NL1554, NL1555 NL1568, 347-4075  
**Part No. 401471**  
Includes O-ring

**O Ring**

For NL1568 and other screw-on caps. 6" ID x 6-3/8" OD  
**Part No. 401265**

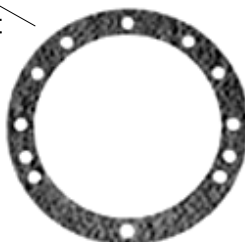
**Hub Cap Bolt**

5/16-18x3/4 Trim Hex.  
**Part No. 1010125**



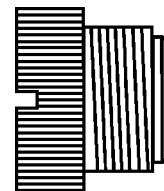
**Universal Gasket**

Multi-hole pattern makes this gasket very versatile!  
**Part No. 401526**



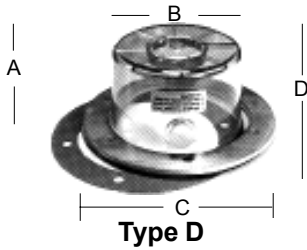
**National hubcap plug**

**Part No. B300**



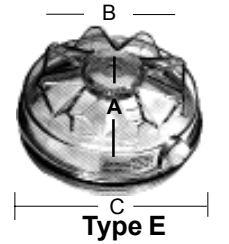


## HUBODOMETER CAPS AND BRACKETS



**Type D**  
Clear Lexan, with gasket. Includes steel reinforcing ring. Pipe plug included.

**Window Kit for Hubodometer**  
**Part No. 359-6095**



**Type E**  
Screw-on cap. 6 1/4" X 8 external thread, with oil port plug. Complete with O-ring.

Hubcap Part No.	Bolt Circle	Bolt Holes	Bolt Size	(A)	I.D. (B)	O.D. (C)	Height (D)	Type	Gasket	Oil Port Plug
<b>NL1554</b>	Threaded	6.25"X8	OD Threads	2.156	5.813	6.500	3.125	E	<b>401265</b>	<b>401471</b>

Hubcap Part No.	Bolt Circle	Bolt Holes	Bolt Size	(A)	I.D. (B)	O.D. (C)	Height (D)	Gasket (Furnished)	Oil Port Plug
<b>347-4009</b>	5 1/2	6	5/16	2 11/16	1 15/16	4 3/8	6 1/4	1011028 <sup>1</sup>	<b>401273</b>
<b>347-4075</b>	Pro-Par screw-on cap							<b>330-3077<sup>2</sup></b>	

<sup>1</sup>Universal gasket part no. 401526 can be substituted.

<sup>2</sup>Gasket no. 401265 can be substituted.



## STEMCO HUBODOMETERS

### Guaranteed Over-Life-of-Tire Accuracy Backed by 500,000-Mile Warranty



- Main shaft is independent of front cover, greatly reducing failure caused by frontal impact.

- Unit is sealed for added durability in a moisture-controlled environment of polycarbonate and steel.

- Externally pinioned odometer mechanism utilizes low-friction molded components. *These features, plus nine permanently lubricated bronze bearings, eliminate wear and ensure long life.*

*Worm drive rotates parts less frequently, reducing wear. Naval brass on steel. No plastic drive components.*

Part Number	RPM	Typical Tire Size
<b>650-0587</b>	480	10.00-22 / 11-24.5
<b>650-0598</b>	500	10.00-20 / 11-22.5
<b>650-0601</b>	504	10.00R20 / 11R22.5
<b>650-0605</b>	513	11R22.5
<b>650-0608</b>	520	295 / 75R22.5
<b>650-0610</b>	522	10-22.5 / 10R22.5
<b>650-0613</b>	532	1295/75R22.5
<b>650-0626</b>	570	255/70R22.5 std.
<b>650-0677</b>	693	215/85R16



### Popular Hubodometer Brackets



Mounted with 347-series Hubo Hubcap

Mounted with 640-series Hubo Hubcap

Mounted with 610-series Hubo Bracket

Part Number	Bolt Circle Diameter	Stud Size	Height
<b>610-0006</b>	7	5/8	1 11/16
<b>610-0007</b>	7	3/4	1 11/16
<b>610-0011</b>	5 1/4 - 7 3/4	1/2	1 3/4
<b>610-0024</b>	5 1/2	5/19-18 Thrd	4 1/2
<b>610-0028</b>	5 1/2	3 legs - fits 4009	Sent & PSI
<b>610-0065</b>	5 1/2	5/16	3 1/2
<b>610-0084</b>	6 3/4	5/16	5



## HUBODOMETERS

**STEMCO™**

*A Higher Standard of Performance.™*

**DataTrac®**



**POPULAR DATATRAC™ APPLICATIONS**  
 Part No. 600-9999 is programmable for any tire size.  
 (Programmer Part No. 801-6000)

TIRE MAKE	TIRE MODEL	TIRE SIZE	MILE	KILOMETER
BRIDGESTONE	M726	11R22.5	600-5499	600-4310
	M726	11R24.5	600-5476	600-4296
	M726	255/70R22.5	600-5564	600-4351
	M726	285/75R24.5	600-5499	600-4310
	M726	295/75R22.5	600-5514	600-4320
	R194	11R22.5	600-5513	600-4319
	R194	11R24.5	600-5489	600-4304
	R194	255/70R22.5	600-5580	600-4361
	R194	285/75R24.5	600-5513	600-4319
	R194	295/75R22.5	600-5529	600-4328
GOODYEAR	G104	255/70R22.5	600-5579	600-4360
	G124	11R22.5	600-5505	600-4314
	G124	255/70R22.5	600-5572	600-4356
	G167	11R22.5	600-5501	600-4311
	G167	295/75R22.5	600-5515	600-4320
	G314	11R22.5	600-5512	600-4318
	G314	11R24.5	600-5488	600-4303
	G314	285/75R24.5	600-5514	600-4320
	G314	295/75R22.5	600-5529	600-4328
	G362	11R24.5	600-5478	600-4297
	G362	285/75R24.5	600-5501	600-4311
	G362	295/75R22.5	600-5515	600-4320
	G372	11R24.5	600-5476	600-4296
G372	285/75R24.5	600-5497	600-4309	
G372	295/75R22.5	600-5512	600-4318	
MICHELIN	XDA2	11R22.5	600-5502	600-4312
	XDA2	11R24.5	600-5480	600-4298
	XDA2	255/70R22.5	600-5566	600-4352
	XDA2	275/80R22.5	600-5519	600-4323
	XDA2	275/80R24.5	600-5502	600-4312
	XZA2	11R22.5	600-5510	600-4317
	XZA2	11R24.5	600-5485	600-4302
	XZA2	275/80R22.5	600-5526	600-4327
	XZA2	275/80R24.5	600-5509	600-4316
	XZE	255/70R22.5	600-5574	600-4357



# HUBODOMETERS

## VEEDER-ROOT Vehicle Products

DIVISION OF DANAHER CONTROLS



**Don't know what kind of tire, or can't find a listing?**

Follow these simple steps for determining the hub-odometer you need:

1. Measure from ground to center of hub.  
Try to be as accurate as possible.
2. Double this measurement (to get diameter).
3. Multiply by 3.1428. (Pi.) This will give you the circumference of the tire in inches.
4. Divide by 12. (to get feet)
5. Divide result into 5,280.

••This will give you the number of Revolutions Per Mile!!

Ratio (Face Plate Markings)	Miles Part Number	Kilometers Part Number
475:1	777717-475	777727-475
490:1	777717-490	
494:1	777717-494	
500:1	777717-500	777727-500
510:1	777717-510	
514 1/2:1	777717-514	777727-514
520:1	777717-520	
525:1	777717-525	
572:1	777717-572	
676:1	777717-676	

- 300,000 mile warranty
- American made since 1895

*Performance when it counts!*



Bracket - mounts over trailer hubcap.  
5/16 bolt, 5.5x3.5.

**Part No. 325614-012**

VEEDER-ROOT Vehicle Products  
DIVISION OF DANAHER CONTROLS

- Replace your inventory with just one number!
- Programmable with tool included. Simple!
- Zinc, diecast.
- Error Free Display.
- Separate Trip, and Lifetime totals.
- Miles or Kilometers
- 5 year warranty - no mileage limitation.
- Security features include serial # viewing
- Only one moving part for increased reliability!



## Electronic Hubodometer

One Model for any tire ever made...Or ever will be made!

**Part No. RT1000-000**

