


# Operating and Installation Instructions



PT 8257  
PT 8337  
PT 8407  
PT 8507



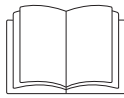
<b>IMPORTANT SAFETY INSTRUCTIONS</b> .....	4
<b>Description of the appliance</b> .....	6
Operating panel .....	7
<b>Drying</b> .....	9
Before first use .....	9
Preparing the laundry .....	9
1. Turn on the dryer .....	10
2. Load the laundry .....	10
3. Select a program .....	11
4. Select  "Blockplus" (if desired) .....	11
5. Adjust the program (if desired) .....	12
6. Select Delay Start (if desired) .....	13
7. Start a program .....	14
8. End of program .....	14
<b>Extra features</b> .....	15
Add or remove laundry during a program .....	15
Skip or repeat program sequences .....	15
Program stop .....	16
Canceling a program .....	16
<b>i</b> Information .....	16
Estates .....	18
<b>Program guide</b> .....	21
Basic programs .....	21
Comforters .....	23
Cleaning Contractors .....	23
Fire Department .....	24
Professional cleaners .....	24
<b>Chip card use / Coin mechanism</b> .....	26
Drying using the coin mechanism C 4060 / C 4065 / C 4070 .....	26
<b>Cleaning and Care</b> .....	27
Cleaning the lint filter .....	27
Dryer .....	27
<b>Frequently asked questions</b> .....	28
Fault messages .....	28
<b>After sales service</b> .....	30
<b>IMPORTANT SAFETY INSTRUCTIONS</b> .....	32
Leveling the dryer .....	34
Installation on an elevated base .....	34
Coin mechanism .....	35
Communication module XKM RS232 .....	35
Electrical connection .....	36
Air intake / Venting .....	36
Hot water connection .....	36
Steam connection .....	36
<b>Technical Data</b> .....	37
<b>Guide to the data plate symbols</b> .....	38
<b>Help to protect the environment</b> .....	39
<b>Quick Guide</b> .....	41

# IMPORTANT SAFETY INSTRUCTIONS

## Explanation of safety instructions and warnings on the dryer



Read the operating instructions.



Read all the instructions, e.g. the installation instructions.



Caution, hot surfaces.



Caution, voltage up to 1000 V



Grounding

## READ AND SAVE THESE INSTRUCTIONS

Keep these operating instructions in a safe place and pass them on to any future user.

Read all instructions before installation or use of the dryer to prevent injury and machine damage.

This dryer is only intended for industrial or institutional use and should not be used by anyone who is not specially trained to operate it. This also applies to industrial applications performed in residential environments.

This machine conforms to current safety requirements. However, inappropriate installation and use can lead to personal injury and property damage. Read the operating and installation instructions carefully before using this machine.

Installation, repair and maintenance work should be performed by a Miele authorized service technician. Work by unqualified persons could be dangerous.

Improper use of the appliance can lead to personal injury and material damage.

All personnel working with this machine must be fully trained in all aspects of its use and safety.

## Proper use of the dryer

► The dryer is only intended for drying fabrics that were washed with water as a cleaning agent. Check fabric care labels to verify that the articles can be machine dried.

► **To prevent fire, do not dry the following** (with the exception of the textiles permitted in the special programs):

- Articles containing foam rubber, rubber or rubber-like materials.
- Articles that have been treated with flammable cleaning agents.
- Articles that have been contaminated with hair spray, nail polish remover, etc.
- Articles that may be greasy, oily or that may contain other residues, e.g. kitchen or salon laundry.
- Mops, floor cloths, etc. if they contain substances such as wax or chemical cleaning agents.
- Damaged padded or filled fabrics such as jackets or cushions.
- Articles that are not sufficiently clean and are soiled with grease or oil. Wash very dirty articles (e.g. work clothing) with a special detergent. For information in this regard, consult a cleaning agent retailer.

With sensitive fabrics there may be a danger of them **spontaneously combusting** if dried too long. Immediately remove the laundry at the end of the drying program and after a power failure.


Keep a fire extinguisher near the dryer.

► The laundry must not be removed from the dryer until the **cooling down phase** has been completed. If hot laundry items are stacked or packed they could spontaneously combust.

► Empty all pockets so that no flammable items such as lighters, matches, candles and cosmetics end up in the dryer.

► If the dryer is operated in a publicly accessible area, the operator must ensure the safe use of the appliance.


## Safety

 The dryer is only intended for drying fabrics that were washed with water as a cleaning agent.

- ▶ Operate the dryer only if an exhaust air duct is connected and the room is adequately ventilated.
- ▶ Persons who lack physical, sensory or mental abilities, or experience with the appliance should not use it without supervision or instruction by a responsible person.
- ▶ Do not let children play in, on or near the dryer. Do not let them play with the controls or operate the unit.
- ▶ Always close the door after loading or unloading the dryer, to prevent:
  - children from climbing into the dryer, or hiding small items in the dryer.
  - small animals from climbing into the dryer.
- ▶ Do not operate the appliance if the control panel, wires or cables are damaged.
- ▶ Do not damage, remove, or bypass any of the safety features and controls of the dryer.
- ▶ Do not operate the dryer when housing parts have been removed and the moving or electrical parts are exposed and accessible.
- ▶ High temperatures occur at the window and frame of the drum door. The laundry is extremely hot if it is removed too soon. Burn hazard!
- ▶ Do not touch the steam components (depending on model). Scalding hazard!
- ▶ Always make sure the drum is stationary before reaching in to remove laundry. Never put your hand into a drum that is still moving.
- ▶ Take care not to pinch or cut your fingers on the hinges of the drum door or lint flap. Use the handles.
- ▶ The area necessary to open the drum door completely must not be obstructed by doors or other structures.
- ▶ Do not use the dryer without the built-in lint filter in place. **Fire hazard!**  
If the lint filter is damaged it must be replaced immediately.
- ▶ Never use or store gasoline, petroleum-based substances or other easily flammable substances near the machine. **Fire and explosion hazard!**
- ▶ A build-up of lint will block the airflow, heating and ventilation, which will impair the efficiency of the dryer. Be sure to clean the lint filter before or after each load.
- ▶ Do not use a power washer to clean the dryer.
- ▶ Remove the door to the drying compartment before the appliance is removed for service or discarded.

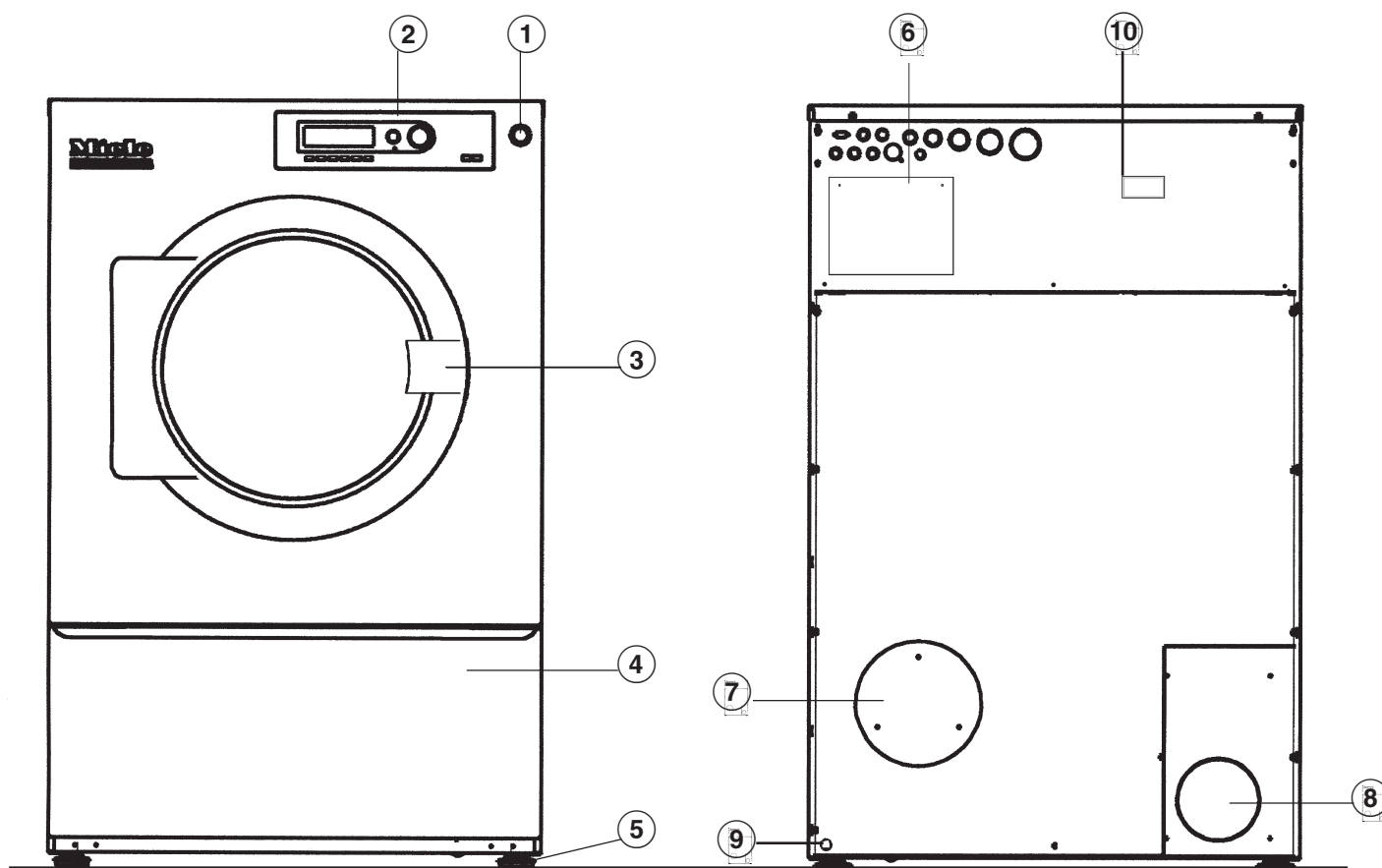
▶ Disinfection and cleaning agents often contain chlorine compounds. If these agents dry on stainless steel it will cause it to rust. To protect the dryer use only chlorine-free disinfection and cleaning agents for laundering and disinfecting, and for cleaning the stainless steel surfaces. If in doubt about a cleaning agent, contact the manufacturer. If an agent containing chlorine is spilled, wash it off with water and dry with a soft cloth.

## Electrical safety

- ▶ Be certain this appliance is properly installed and grounded by an authorized technician. For electrical safety this machine must be grounded . It is imperative that this basic safety requirement be tested by a qualified electrician. Consult a qualified electrician if in doubt.
- ▶ Before installation or service, disconnect the power supply to the work area.
- ▶ Repairs to electrical and gas appliances should only be carried out by a Miele Service Technician in accordance with local and national safety regulations. Unauthorized repairs could cause injury or machine damage.
- ▶ Use only genuine Miele parts. Use of non-Miele parts may impair performance and void any guarantees.
- ▶ Do not repair or replace any part of the appliance or attempt any servicing unless specifically recommended in these operating instructions. Contact Miele's Technical Service Department for assistance.
- ▶ Do not operate the dryer in a room where cleaning machines operate with solvents containing CFC. Vapors from combustion turn into hydrochloric acid which damages laundry and dryer. When operated in a separate room, there must be no air exchange possible. Make sure the dryer is supplied with clean fresh air only.
- ▶ The air intake opening is located on the back of the dryer. Never block this opening. Therefore, do not cover the dryer top with any blankets or sheets.
- ▶ The dryer needs timely and professional maintenance to prevent performance loss, malfunctions and the risk of fire.

## SAVE THESE INSTRUCTIONS

## Description of the appliance



### ① Emergency Stop button

Use only in case of an emergency.  
After elimination of the problem, unlock the switch by turning the dial to the right.

Do not use the Emergency Stop button to turn off the dryer during normal operation!

### ② Control panel

### ③ Drum door

Pull the door handle to open the drum door.

### ④ Lint filter flap

Pull the handle to open the lint filter flap.

### ⑤ Four height adjustable feet

### ⑥ Electrical connection

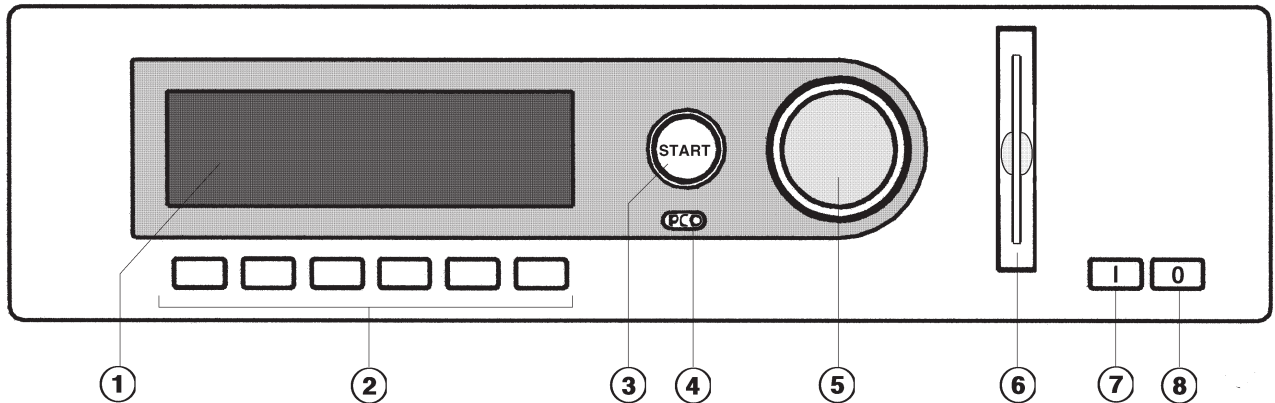
### ⑦ Air intake opening

### ⑧ Exhaust air collar

### ⑨ Potential equalizer

### ⑩ Communication module slot

## Operating panel



### ① Display\*

1	White Cottons	0%
2	Cottons	0%
3	Cottons Hot Wash	0%
		⏪ ⏩ ↺

After turning on, the "Welcome" display will appear for a short time followed by the program list. The most recently used program is highlighted.

### ② Function keys

The keys have different functions depending on the appliance status. The functions are shown in the display above the buttons.

### ③ Start button

The light ring flashes if a selected program can be started or a selection can be made.

Once a program has started the Start button can be pressed to show the original display.

\* Contents in the display will vary with program offering.

### ④ Optical PC interface

For data transfer between the machine's controls and a PC.

### ⑤ Jog shuttle

**Turn** the jog shuttle for display selections and input fields.

**Press** the jog shuttle to confirm display selections or changes.

### ⑥ Card reader

If the machine has been programmed for card operation, you can only use those programs stored on the card to dry laundry.

### ⑦ I On button

### ⑧ 0 Off button

## Description of the appliance

---

### Control keys

⏏ Stop / End

Press to stop a selected program or end an already stopped program.

+➔ Block plus

The respective program block (e.g. pre-drying) will be added to the program.

🔑 Functions

Press this key to temporarily select another language and/or access the Supervisor level.

⌚ Delay start

Press this key to select a start time in the display.

**i** Information

To show program information

↔ Skip

Cycles of a program in progress can be skipped or repeated.

⏪ Back to the previous display

▼/▲ Next or previous line

💾 Save

See the Programming Manual

🔒 Program locked

If a program has a "locked" status it cannot be stopped or ended with the Off-button after one minute.

🔓 Program unlocked

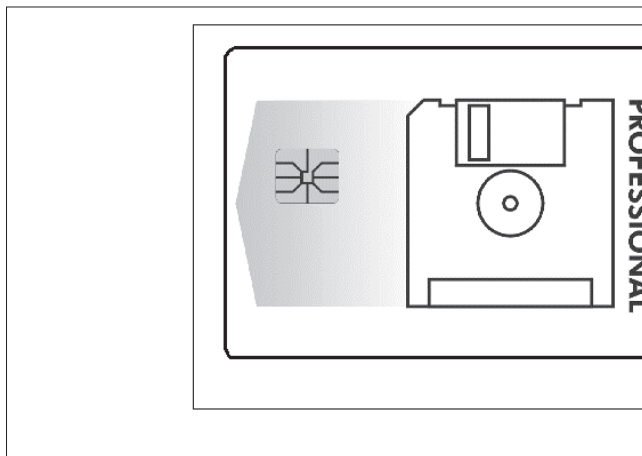
☰ Operating data

 Data transfer

### Operator card

No programs are saved on this card. To transfer the data from the control to the card and vice versa see the Programming Manual.

30 programs with 6 blocks each can be saved on the card.




The back of the card can be labeled.  
Insert the card, arrow first.



## Before first use


- Wipe the interior of the drum with a soft dry cloth

## Preparing the laundry


 Not all fabrics are suitable for drying in a tumble dryer. Check the manufacturer's instructions on the fabric care label.

 = Dry at normal temperature

 = Dry at low temperature

 = Do not tumble dry

- Sort the laundry by fabric type and color. This will ensure even drying results and will prevent damage to fabrics.

 **To prevent fire, do not dry the following** (with the exception of the textiles permitted in the special programs):

Articles containing foam rubber, rubber or rubber-like materials.

Articles that have been treated with flammable cleaning agents.

Articles that have been contaminated with hair spray, nail polish remover, etc.

Articles that may be greasy, oily or saturated with other residues, e.g. kitchen or salon laundry.

Mops, floor cloths, etc. if they contain substances such as wax or chemical cleaning agents.

Damaged padded or filled fabrics, like jackets or cushions.

Articles that are not sufficiently clean and are soiled with grease or oil. Wash very dirty articles (e.g. work clothing) with a special detergent.

## Important drying information:

- Articles made from pure wool and wool mixtures may become matted. Dry these with the *Woolens* program only.
- Pure linen may become rough with tumble drying. Consult the manufacturer's instructions before drying.
- Items with metal buckles, hooks, snaps, zippers, etc. should be put into the dryer in a cloth bag (e.g. pillow case) to protect the drum from scratches and dents.
- Articles with closed metal zippers may cause a short at the sensor electrodes on the drum ribs, so that the drying process ends too late or does not end at all. These items should be dried with the zippers open.
- Loop knit materials tend to shrink. Over-drying increases this effect. Do not use the highest dry program for such fabrics.
- Starched laundry can be tumble dried. Select a program with a suitable residual moisture for ironing by hand or machine. Sort the laundry according to the level of dryness required. It is not necessary to sort according to size.
- Pillow cases and duvet covers should be buttoned to prevent smaller items from getting caught inside them.
- For cost efficiency, only dry full loads. Overloading provides poor drying results and has an adverse effect on fabrics.
- If the washing machine's last rinse cycle is with warm water, a shorter drying time will be required due to the lower residual moisture and the residual heat in the laundry.

# Drying

## 1. Turn on the dryer

- Open the gas or steam valve (on site).
- Turn on the power main (on site).
- Press the I "On" button to turn the dryer on.

The Welcome screen shows.



The program list is displayed. The program last started is highlighted.

1	White Cottons	0%
2	<b>Cottons</b>	<b>0%</b>
3	Colors	0%

## 2. Load the laundry

- Open the drum door.
- Load the laundry loosely into the drum.

Check that there are no foreign objects in the drum, e.g. wash dosage containers, coins, etc.

- Close the drum door.

To prevent fabric damage, check that laundry will not be caught in the closed door.

## Maximum laundry weight

PT 8257	PT 8337	PT 8407	PT 8507
Drum volume			
66 gal (250 l)	86 gal (325 l)	106 gal (400 l)	132 gal (500 l)
<b>Cottons</b>			
22-29 lb (10-13 kg)	29-35 lb (13-16 kg)	35-44 lb (16-20 kg)	44-55 lb (20-25 kg)
<b>Wrinkle-free</b>			
11 lb (5 kg)	14.5 lb (6.6 kg)	17.6 lb (8 kg)	22 lb (10 kg)
<b>Woolens</b>			
9 lb (4 kg)	11.5 lb (5.2 kg)	14 lb (6.4 kg)	17.5 lb (8 kg)
<b>Delicates/Synthetics</b>			
4.5 lb (2 kg)	6 lb (2.6 kg)	7 lb (3.2 kg)	9 lb (4 kg)
<b>Hot/Cool air</b>			
22-29 lb (10-13 kg)	29-35 lb (13-16 kg)	35-44 lb (16-20 kg)	44-55 lb (20-25 kg)
<b>Proofing, Outerwear</b>			
11-14.5 lb (5-6.6 kg)	13-20 lb (6-9 kg)	17.5-24 lb (8-11 kg)	22-29 lb (10-13 kg)

See "Adjust the program - Laundry weight" for more information.

### 3. Select a program

The dryer uses an electronic sensor system which monitors the residual moisture in the laundry and a timer for extra safety.

Once the required level of dryness has been reached the laundry is cooled and the drying program will end.

1	White Cottons	0%
2	<b>Cottons</b>	<b>0%</b>
3	Colors	0%

- Select a program by turning the jog shuttle (e.g. Program **2** Hot Wash / Cottons dry).

See the "Program Guide" for more information on the standard programs.

### 4. Select +➡ "Blockplus" (if desired)

(Not available for standard programs)

- Confirm the selected program by pressing the jog shuttle.

22	Hot Wash / Cottons dry	22.0 / 22.0 lb
15 %	Drying	176 °F
	Cool down	

- Press the +➡ "Blockplus" button to select a program block, e.g. pre-drying if desired.

22	Hot Wash / Cottons dry	22.0 / 22.0 lb
24 %	Pre-drying	
0 %	Drying	

The field +➡ is highlighted.

The function can be deselected by pressing the button again.

If you do not need to make any other changes to the program:

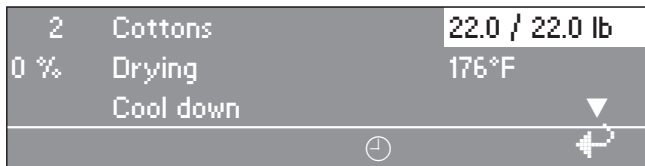
- Press the "START" button and the drying program will begin.

# Drying

## 5. Adjust the program (if desired)

To change program settings before starting the program:

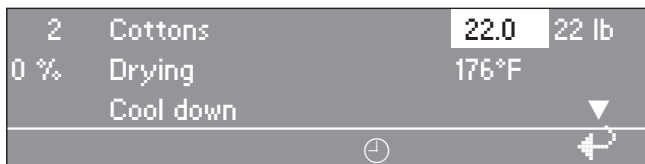
- Confirm the selected program by pressing the jog shuttle.



The maximum laundry weight is shown on the right side in the display.

### Laundry weight

The laundry weight can be manually selected.

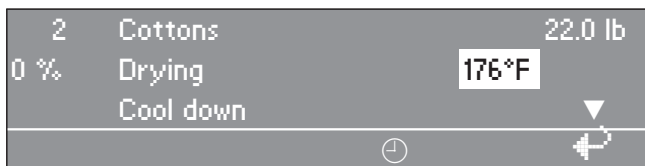


- Turn the jog shuttle until "Laundry weight" is highlighted and press to confirm the selection. Turn the jog shuttle to the desired laundry weight and press to confirm the selection.

### Temperature

In 1 °F or °C steps from 86 °F / 30 °C to max. 203 °F / 95 °C.

- Turn the jog shuttle to "Temperature" and press to confirm the selection.

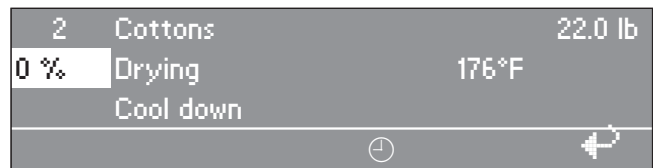


- Turn the jog shuttle to the desired temperature and press it to confirm the selection.

### Residual moisture

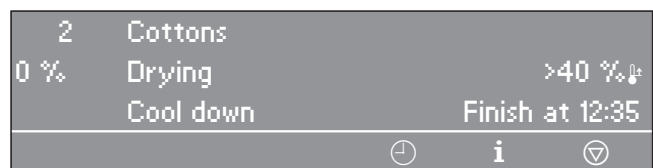
In 1 % steps from -4 to 40 %.

- Turn the jog shuttle to "Residual moisture" (0 %) and press to confirm the selection.



- Turn the jog shuttle to the desired percentage and press it to confirm the selection.
- Press the "Start" button to begin the program.

The program sequence is shown in the display after the start of the program.



In the second display line, "Drying" in the display above, the actual residual moisture is shown (>40%) and if the heating is active. The third line shows the following program block.

The "Finish at 12:35" on the right side shows the end time of the program.

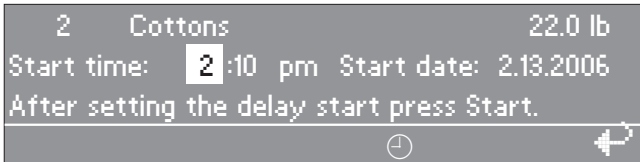
The "Finish at" display has a self learn function. Several program cycles are necessary for an exact display.

## 6. Select Delay Start (if desired)

Use the ⊖ "Delay start" button to start a program at a later time.

### Setting the delay start

- Select a program.
- Press ⊖ "Delay Start".



The display shows the current time of day and date. The hour entry field is highlighted.

- Turn the jog shuttle to the "Hours" entry field. Press the jog shuttle to select the hour. Turn the jog shuttle to the desired hour and press it to confirm the selection.
- Turn the jog shuttle to the "Minutes" entry field. Press the jog shuttle to select the minutes. Turn the jog shuttle to the desired minutes and press it to confirm the selection.
- Turn the jog shuttle to the "Start date" entry field. Press the jog shuttle to select the start date. Turn the jog shuttle to the desired date and press it to confirm the selection.
- Press the "Start" button.

The program will start at the selected time.



The display shows the current time of day, date and the start time.

- If the door is opened before the delay start time has elapsed, press the "Start" button again.

### Canceling the Delay Start

- Press the ⊖ "Delay Start" or ↶ "Back" button to cancel the delay start function.

## 7. Start a program

- Press the "Start" button to begin the program..


## 8. End of program



The program end is shown in the display and the buzzer sounds.

- Open the drum door.
- Remove the laundry.

If the laundry is not removed from the machine at the end of the program an anti-crease cycle will automatically start. The drum turns in intervals to minimize creasing in the laundry.

 The laundry must not be removed from the dryer before the drying program has finished. The cooling down phase must be completed. If hot laundry items are stacked or packed they could spontaneously combust.

- Check the lint filter and clean if necessary. Close lint filter flap, trip hazard.



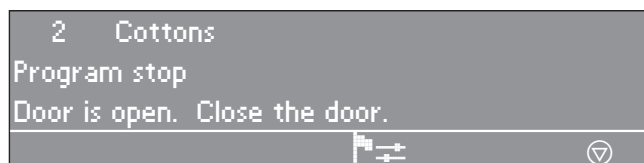
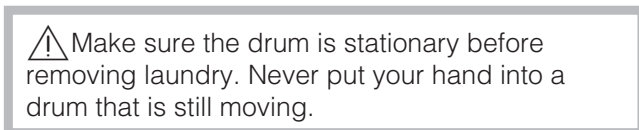
A reminder will appear in the display when the filter needs to be cleaned.

- Clean the lint filter immediately after the program ends.
- Close the drum door.
- Press the **0** "Off" button to turn off the machine.
- Turn off power at the power mains (on site).
- Close the on site gas or steam valve.

## Add or remove laundry during a program

The drum door can be opened during a program to add or remove laundry.

- Open the door.



- Add or remove a laundry item.
- Close the door.

The fan may come on as a safety measure if the temperature in the drum is too high.

- Press the "Start" button.

The program continues.

## Skip or repeat program sequences

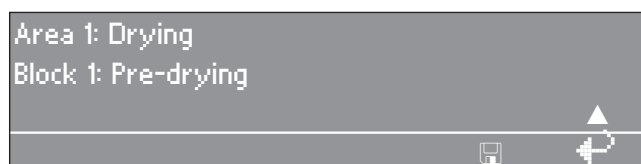
Sequences of a program in progress can be skipped or repeated.

- Press the ⏻ "End" button to stop the program.



- Press the ⏮ "Skip/Repeat" button.

The display shows the current program segment. See "Program structure" in the Programming Manual.



- Turn the jog shuttle to "Area" and press it to confirm the selection.  
Area: Select 1 Drying or 2 Cooling and confirm.
- Turn the jog shuttle to "Block" and press it to confirm the selection.  
Block: Select Drying 1-10 or Cooling 1-10 and confirm.
- Press the 💾 "Save" and "Start" button to skip the program cycles.
- To go back without skipping program cycles:  
Press the ⏪ "Back" to go back to the program stop.

## Extra features

### Program stop

- Press the  "End" button to stop the program.



- Press the "Start" button to continue the program.

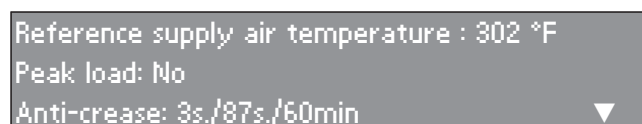
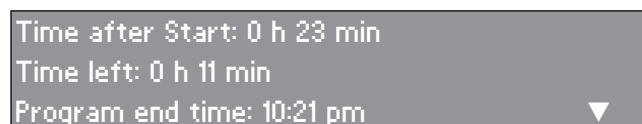
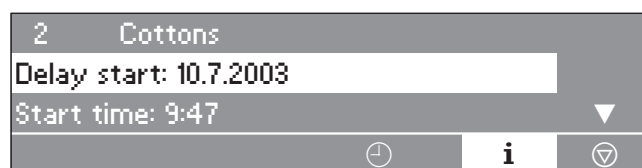
### Canceling a program


To cancel a program, press the  "End" button twice.

### i Information

- Press the **i** "Information" button during the program to see program information.

Examples:



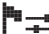
- Press the  "Back" button to get back to the program sequence.



## Language

The display language can be temporarily changed with the flag symbol.

1	White Cottons	0%
2	Cottons	0%
3	Colors	20%

- Press the  function button.

Settings	Back <
Main menu	<b>Language</b>
	Programming level

- Press the jog shuttle to select "Language".

Settings	svenska
Language	<b>english (USA)</b>
	Back <

- Turn the jog shuttle to select the desired language and press to confirm the selection.

When the selection is confirmed the display switches to the selected language.

The language is set back to its original setting:

- if no activity was carried out for 5 minutes.
- 5 minutes after the program has ended.
- when the door is opened.

## Extra features

### Estates

Program	Fabric Type	max. load	
<b>White Cottons</b>	White items made of cottons, linens	PT 8257	22-29 lb (10-13 kg)
165 °F		PT 8337	29-35 lb (13-16 kg)
<b>Cottons</b>	White or colored items made of cottons, linens or mixed fabrics	PT 8407	35-44 lb (16-20 kg)
165 °F		PT 8507	44-55 lb (20-25 kg)
<b>Colors</b>	Colored items made of cottons, linens or mixed fabrics		
165 °F			
<b>Darks</b>	Dark items made of cottons, linens or mixed fabrics		
165 °F			
<b>Minimum iron</b>	Items made of synthetic fabrics, mixed fabrics	PT 8257	11 lb (5.0 kg)
140 °F		PT 8337	14.5 lb (6.6 kg)
		PT 8407	17.5 lb (8.0 kg)
		PT 8507	22 lb (10 kg)
<b>Delicates</b>	Items made of synthetic fabrics, mixed fabrics	PT 8257	4.4 lb (2 kg)
104 °F, Dry to 20% residual moisture		PT 8337	6 lb (2.6 kg)
		PT 8407	7 lb (3.2 kg)
		PT 8507	9 lb (4 kg)
<b>600+TC Sheets Hot</b>	Bed linens high thread count sheet made of cottons, mixed fabrics	PT 8257	22-29 lb (10-13 kg)
140 °F		PT 8337	29-35 lb (13-16 kg)
		PT 8407	35-44 lb (16-20 kg)
		PT 8507	44-55 lb (20-25 kg)
<b>600+TC Sheets Warm</b>	Bed linens high thread count sheet made of cottons, mixed fabrics	PT 8257	11 lb (5.0 kg)
140 °F		PT 8337	14.5 lb (6.6 kg)
<b>Silk and Rayon Bed Linens</b>	Bed linens made of silk, rayon, satin	PT 8407	17.5 lb (8.0 kg)
140 °F		PT 8507	22 lb (10 kg)
<b>Down Comforters &amp; Pillows</b>	Down comforters, duvet covers made of down	PT 8257	22 lb (10 kg)
165 °F, see load size in "Covers" section		PT 8337	29 lb (13 kg)
<b>Washable Bedspreads</b>	Blankets, covers made of synthetic fabrics	PT 8407	35.5 lb (16 kg)
165 °F, see load size in "Covers" section		PT 8507	44 lb (20 kg)

## Extra features

Program	Fabric Type	max. load	
<b>Linen Tablecloths</b> 165 °F	Tablecloths, napkins made of cottons, linens	PT 8257	22-29 lb (10-13 kg)
		PT 8337	29-35 lb (13-16 kg)
		PT 8407	35-44 lb (16-20 kg)
		PT 8507	44-55 lb (20-25 kg)
<b>Mixed Fiber Tablecloths</b> 140 °F	Tablecloths, napkins made of synthetic fabrics, mixed fabrics	PT 8257	11 lb (5.0 kg)
		PT 8337	14.5 lb (6.6 kg)
		PT 8407	17.5 lb (8.0 kg)
		PT 8507	22 lb (10 kg)
<b>Outerwear</b> 140 °F	Coats and jackets made of mixed fabrics	PT 8257	11-14.5 lb (5-6,6 kg)
		PT 8337	14.5-20 lb (6,6-9 kg)
		PT 8407	17.5-24.5 lb (8-11 kg)
		PT 8507	22-29 lb (10-13 kg)
<b>Silks handcare</b> 140 °F	Blouses, dresses, pants, skirts, coats, evening gowns, wedding gown, faux furs made of silk, rayon, satin, acetate, viscose	PT 8257	8.8 lb (4 kg)
		PT 8337	11.5 lb (5.2 lb)
		PT 8407	14 lb (6.5 kg)
<b>Woolens handcare</b> 165 °F	Woolens and mixed woolens	PT 8507	17.5 lb (8 kg)
<b>Proofing</b> 140 °F	Drying of waterproofed outdoor items	PT 8257	11-14.5 lb (5-6,6 kg)
		PT 8337	14.5-20 lb (6,6-9 kg)
		PT 8407	17.5-24.5 lb (8-11 kg)
		PT 8507	22-29 lb (10-13 kg)
<b>Hot air</b> 165 °F	Drying small loads or finish drying single items	PT 8257	22-29 lb (10-13 kg)
		PT 8337	29-35 lb (13-16 kg)
<b>Cool air</b>	Airing/Fluffing items	PT 8407	35-44 lb (16-20 kg)
		PT 8507	44-55 lb (20-25 kg)

## Extra features

Program	Fabric Type	max. load	
<b>Smoothing</b> 165 °F, Reduces wrinkles after the being washed. Remove items immediately after program end and allow to air dry.	Cotton and linen fabrics	PT 8257	11 lb (5.0 kg)
		PT 8337	14.5 lb (6.6 kg)
<b>Denim</b> (Machine iron) 165 °F	Items made of denim	PT 8407	17.5 lb (8.0 kg)
		PT 8507	22 lb (10 kg)
<b>Shirts</b> (Machine iron) 165 °F	Shirts and blouses		
<b>Towelling</b> 165 °F	Multi-layer fabrics and towels. Towels, wash cloths, bath robes, etc.	PT 8257	22-29 lb (10-13 kg)
		PT 8337	29-35 lb (13-16 kg)
		PT 8407	35-44 lb (16-20 kg)
		PT 8507	44-55 lb (20-25 kg)
<b>Reactivate</b> 140 °F	Outdoor clothing suitable for drying in a tumble dryer. The fibers are straightened, improving water-repellency.	PT 8257	11-14.5 lb (5-6,6 kg)
		PT 8337	14.5-20 lb (6,6-9 kg)
		PT 8407	17.5-24.5 lb (8-11 kg)
		PT 8507	22-29 lb (10-13 kg)
<b>Automatic</b> 140 °F	Mixed loads of fabrics for the Cottons and Wrinkle-free programs.	PT 8257	11 lb (5.0 kg)
		PT 8337	14.5 lb (6.6 kg)
		PT 8407	17.5 lb (8.0 kg)
		PT 8507	22 lb (10 kg)

Temperatures given refer to extracted air temperature.

The following programs are available upon request. Please contact Miele for more information.

**Basic programs**

Program	Fabric Type	max. load
<b>1 Hot Wash / Cottons extra dry 0%</b> (Normal+) 165 °F	Multilayered or very thick fabrics made of cotton and linen which do not completely dry when using the "Hot wash / Cottons dry" program.	
<b>2 Hot Wash / Cottons - dry 0%</b> (Normal) 165 °F	Single and multilayered cotton and linen laundry	PT 8257 22-29 lb (10-13 kg) PT 8337 29-35 lb (13-16 kg) PT 8407 35-44 lb (16-20 kg) PT 8507 44-55 lb (20-25 kg)
<b>3 Hot Wash / Cottons - damp 20 %</b> (Machine iron) 165 °F	Cotton and linen fabrics which are to be machine ironed	
<b>4 Hot Wash / Cottons - damp 25%</b> (Machine iron) 165 °F		
<b>5 Hot Wash / Cottons - damp 40 %</b> (Machine iron) 165 °F		
<b>6 Wrinkle Free - dry 0 %</b> (Normal) 140 °F	Synthetic, cotton or mixed fabrics	PT 8257 11 lb (5.0 kg) PT 8337 14.5 lb (6.6 kg) PT 8407 17.5 lb (8.0 kg) PT 8507 22 lb (10 kg)
<b>7 Wrinkle Free moist 10 %</b> (Machine iron) 140 °F		
<b>8 Wrinkle Free moist 20 %</b> (Machine iron) 140 °F		
<b>9 Woolens 5 min.</b> 165 °F	To fluff pre-dried woolens	PT 8257 9 lb (4 kg) PT 8337 11.5 lb (5.2 lb) PT 8407 14 lb (6.4 kg) PT 8507 17.5 lb (8 kg)
<b>10 Delicates 20 %</b> 104 °F	Sensitive items made of synthetic, cotton or mixed fabrics	PT 8257 4.5 lb (2 kg) PT 8337 6 lb (2.6 kg) PT 8407 7 lb (3.2 kg) PT 8507 9 lb (4 kg)


## Program guide

Program	Fabric Type	max. load
<b>11 Timed drying - cool air 15 min.</b>	To air fluff items	PT 8257 22-29 lb (10-13 kg)
<b>12 Timed drying - warm air 20 min.</b> 165 °F	Drying small loads or finish drying single items	PT 8337 29-35 lb (13-16 kg) PT 8407 35-44 lb (16-20 kg) PT 8507 44-55 lb (20-25 kg)
<b>13 Waterproofing</b> (Normal) 140 °F	For drying fabrics that can be machine-dried, e.g. micro fibers, ski and outdoor clothing, thin dense cottons (poplin), table cloths.	PT 8257 11-14.5 lb (5-6,6 kg) PT 8337 14.5-20 lb (6,6-9 kg) PT 8407 17.5-24.5 lb (8-11 kg) PT 8507 22-29 lb (10-13 kg)
This program includes an additional step for water-proofing. Water-proofed items must only be treated with a water repellent that is "Suitable for membrane textiles". These products are fluoride compound based. Fire hazard! Do not dry fabrics which were treated with agents containing paraffin!		
<b>14 Outerwear</b> 140 °F	Outdoor clothing suitable for drying in a tumble dryer.	

## Comforters

Program	Fabric Type	max. load
<b>Down Comforters</b>	Feather or down comforters and pillows	PT 8257 1 cover or 2 pillows 22 lb (10 kg)
165 °F, Drying to 0% residual moisture, Additional drying, Cooling		
<b>Synthetic Comforters</b>	Synthetic covers and pillows	PT 8337 3 pillows or 1 pillow + 1 cover 28.7 lb (13 kg)
165 °F, Drying to 0% residual moisture, Additional drying, Cooling		
<b>Wool Comforters</b>	Natural fiber covers and blankets	PT 8407 4 pillows or 2 pillows + 1 cover or 2 covers 35.3 lb (16 kg)
165 °F, Drying 3 minutes, Cooling Natural fiber covers should not be completely dried in the dryer or it will felt. A brief drying is recommended.		PT 8507 5 pillows or 3 pillows + 1 cover or 2 covers 44 lb (20 kg)
		These values are approximate and may vary depending on size and thickness of the items.

## Cleaning Contractors

 Laundry that has not been adequately cleaned and contains residues (wax or chemicals) is a fire hazard! Wash particularly dirty laundry thoroughly: Use sufficient detergent and wash at a high temperature. If in doubt, wash these items several times.

Program	Fabric Type	max. load
<b>Mops</b>	Cotton mops	PT 8257 22 lb (10 kg)
165 °F, Drying to 0% residual moisture, Cooling		PT 8337 29 lb (13 kg)
<b>Microfiber mops</b>	Micro fiber mops	PT 8407 35.5 lb (16 kg)
140 °F, Drying to 0% residual moisture, Cooling		PT 8507 44 lb (20 kg)
<b>Cleaning cloths</b>	Micro fiber cloths, dust cloths	PT 8257 12.5 lb (5.6 kg)
140 °F, Drying to 0% residual moisture, Cooling		PT 8337 15.5 lb (7 kg)
		PT 8407 19 lb (8.6 kg)
		PT 8507 24.3 lb (11 kg)

## Program guide

### Fire Department

Program	Fabric Type	max. load
<b>Face masks</b>	Protective mask with head harness	max. Fasteners / Masks
122 °F, Dry 45 min., Cooling. Protective masks may only be dried is they are locked with special mounting plates (optional accessory) in the drum.		PT 8257      4      8 PT 8337      4      12 PT 8407      4      16 PT 8507      4      12
<b>Protective clothing</b>	Fire department uniforms e.g. Nomex <sup>®</sup> , jackets, pants	PT 8257 approx. 1 - 2 Uniforms (1 Jacket + 2 Pants or 2 Jackets) PT 8337 approx. 2 Uniforms (or 3 Jackets) PT 8407 approx. 3 Uniforms PT 8507 approx. 3 - 4 Uniforms
165 °F, Drying to 0% residual moisture, Additional drying, Cooling For optimum drying results turn the garments inside out.		
<b>Fire gear waterproofing</b>	Items treated with a proofing agent	
165 °F, Drying to 0% residual moisture, Additional drying, Cooling Water-proofed items must only be treated with a water repellant that is "Suitable for membrane textiles". These products are fluoride compound based. Fire hazard! Do not dry fabrics which were treated with agents containing paraffin!		PT 8257      11-14.5 lb (5-6.6 kg) PT 8337      14.5-20 lb (6.6-9 kg) PT 8407      17.5-22 lb (8-10 kg) PT 8507      22-29 lb (10-13 kg)

### Professional cleaners

Program	Fabric Type	max. load
<b>WetCare Sensitive</b>	Non-washable items	PT 8257 approx. 9-11 lb (4-5 kg) PT 8337 approx. 11-14.5 lb (5-6.6 kg) PT 8407 approx. 14.5-17.6 lb (6.6-8 kg) PT 8507 approx. 17.5-22 lb (8-10 kg)
122 °F, Fluffing 3 minutes, Cooling		
<b>WetCare Silk</b>	Non-washable items which crease easily	PT 8257 approx. 9-11 lb (4-5 kg) PT 8337 approx. 11-14.5 lb (5-6.6 kg) PT 8407 approx. 14.5-17.5 lb (6.6-8 kg) PT 8507 approx. 17.5-22 lb (8-10 kg)
140 °F, Drying to 15% residual moisture, Cooling		
<b>WetCare Intensive</b>	Washable items	PT 8257 approx. 11-14.5 lb (5-6.6 kg) PT 8337 approx. 14.5-20 lb (6.6-9 lb) PT 8407 approx. 17.5-24.5 lb (8-11 kg) PT 8507 approx. 22-29 lb (10-13 kg)
165 °F, Drying to 0% residual moisture, Cooling		



**Equestrian**

 To protect the drum from damage, metal buckles, hooks and eyes must be covered.

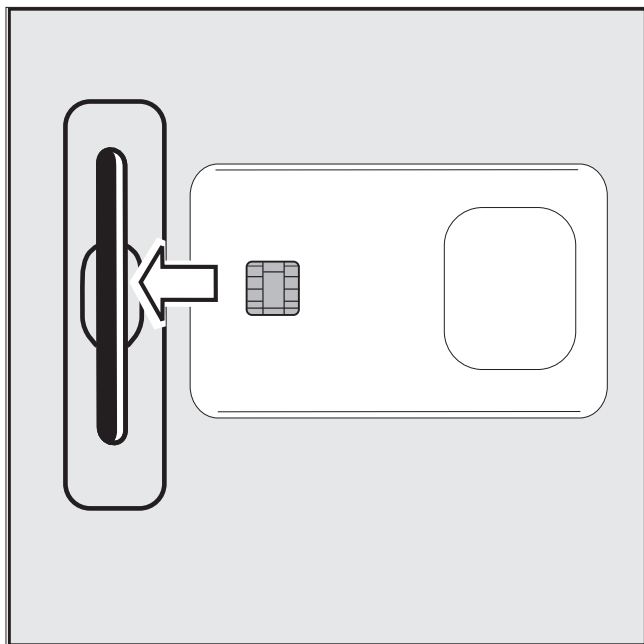
Program	Fabric Type	max. load
<b>Horse blankets</b>	Horse blankets, saddle cloths, tendon boots, bandages, cloth halter	PT 8257 22 lb (10 kg)
		PT 8337 29 lb (13 kg)
		140 °F, Drying to 0% residual moisture, Additional drying, Cooling
		PT 8407 35.5 lb (16 kg)
		PT 8507 44 lb (20 kg)
<b>Wool horse blankets</b>	Horse blankets with a high wool content	
	165 °F, Drying 5 min., Cooling	

Type	Load size		
	Saddle cloths	Summer blankets	Winter blankets
PT 8257	7	2	1
PT 8337	9	2 - 3	1 - 2
PT 8407	11	2 - 3	1 - 2
PT 8507	12	3	2

## Chip card use / Coin mechanism

If the machine is programmed for card operation, only the drying programs on the card can be used.

Cards containing a program are programmed for a machine type. Empty cards can be programmed for any machine type.

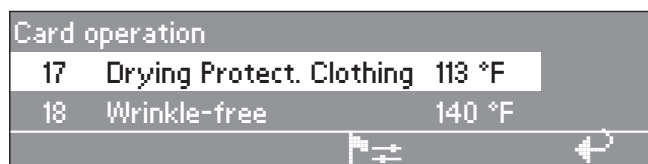


- Press **I** "On" to turn the dryer on.


The Welcome screen appears.

- Insert the card, arrow first.

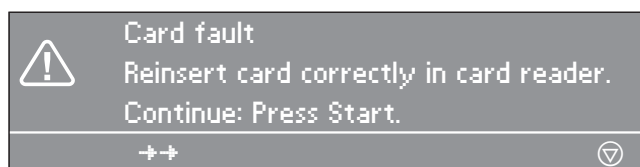
The display shows the list of programs on the card.



- Turn the jog shuttle to select a program. Press it to confirm the selection.
- Press the "Start" button.
- Remove the card from the card reader. When the program is finished it will be erased from the machines memory.

 Do not insert any other items into the card reader.

### If the card was inserted the wrong way



- Insert the card properly into the card reader.

### If the card is not suitable for this type of machine



- Insert a card suitable for this machine type.

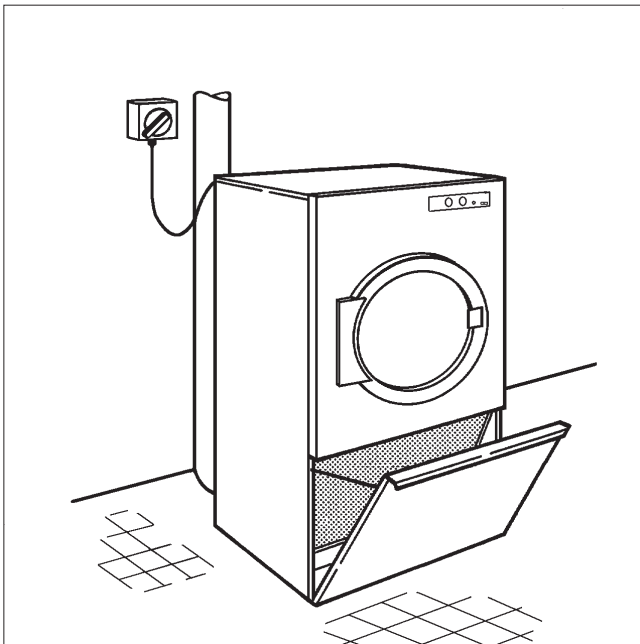
### Drying using the coin mechanism C 4060 / C 4065 / C 4070

Follow the instructions strictly or the money / token will be lost.

1. Load the laundry and close the drum door.
2. Press the **I** "On" button.
3. Select a program.
4. Insert money or tokens.
5. Press the "Start" button.

## Cleaning the lint filter

⚠ Clean the lint filter at least once a day and when the "Clean lint filter" display shows. A clogged filter is a fire hazard!



- Open the lint filter flap.
- Do not remove the lint filter.
- Wipe the lint off the filter with your hand (do not use any sharp objects). Scoop out the lint and be careful not to damage the filter.

⚠ Do not use the machine without the built-in filter in place.

### **This is a fire hazard.**

If the lint filter is damaged it must be replaced immediately. A build-up of lint could block the airflow, heating and ventilation, and may impair the efficiency of the machine.

## Dryer

Before cleaning or servicing, disconnect the dryer from the power supply by shutting off the power main or tripping the circuit breaker.

With gas-heated dryers, the manual gas shut-off valve and the shut-off device at the gas meter must be closed; with steam-heated dryers the steam shut-off valve must be closed.

⚠ Do not use a high pressure cleaner or water jet to clean the machine.

- Use a mild solution of warm water and liquid dish soap applied with a soft cloth to clean the housing, the control panel and the plastic parts, then dry with a soft cloth.
- After drying starched laundry, clean the drum with a soft, moist cloth.

Never use abrasive cleaners, scouring pads, steel wool or caustic cleaners. They **will** damage the surface.

Check the gasket and lock of the drum door and the lint filter flap.

The air intake opening is located on the back of the dryer. Never block this opening. Do not cover the dryer top with any blankets or cloths.

Keep the area surrounding the dryer, especially around the air intake opening, clear of lint to ensure clean air intake. Lint will settle in the dryer and cause malfunctions.

## Check and clean once a year

- Heat coils and heat duct (for electric heated dryers), burner and the burner compartment (for gas heated dryers),
- The complete dryer interior
- The impeller of the exhaust vent
- The vent duct and air outlet to the outside
- Clean any lint away with a vacuum.

⚠ The machine needs timely and professional maintenance to prevent operation power loss, malfunctions and danger of fire. Contact Miele's Technical Service Department for maintenance work.

## Frequently asked questions

### Fault messages

⚠ Repairs to electrical, gas or steam appliances should only be carried out by a Miele authorized technician in accordance with local and national safety regulations. Unauthorized repairs could cause injury or machine damage. The manufacturer cannot be held responsible for unauthorized work.

After turning the machine on at the mains or if the program list was selected the control carries out a system analysis. All modules and their sensors, data from the operating system, drying programs and languages are checked.

If an error occurred in a program or language, they are marked with ⚠ and can not be selected (here "3 Cottons Hot Wash 0%" and "English").

1	White Cottons	0%	
2	<b>Cottons</b>	<b>0%</b>	
3	Colors	0%	⚠

Settings	Back <-
Language	<b>Deutsch</b>
	English ⚠

If an error occurs in an already selected language the following will show:

⚠	<b>Data fault</b>
	Limited function. Language defect.

Faults that occur before or after the start of a program will flash in the display.

If the following error messages cannot be fixed with five restarts, a general message will show:

⚠	<b>System fault</b>
	Contact Technical Service if restart w/o success.



If the display remains off, the dryer has no power.

- Check the plug, the main switch and the fuses on-site.

⚠	<b>Fan fault</b>
	Program stop. Press Start. Mofor temperature too high.

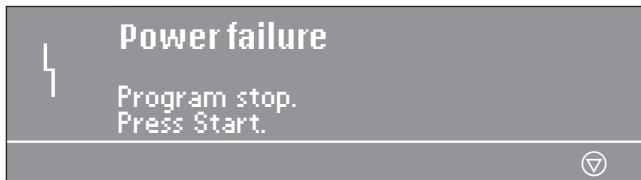
- Allow motor to cool.

⚠	<b>Machine fault</b>
	Contact Technical Service if restart does not work.

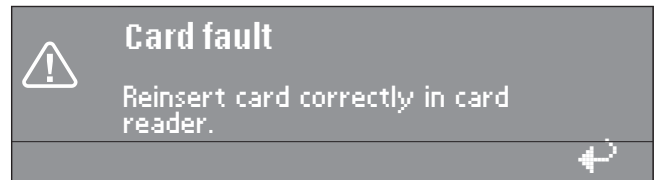
- Contact Technical Service.

M	<b>Drive motor fault</b>
	Program stopped. Press Start. Motor overheated due to overloading.

- Allow motor to cool.



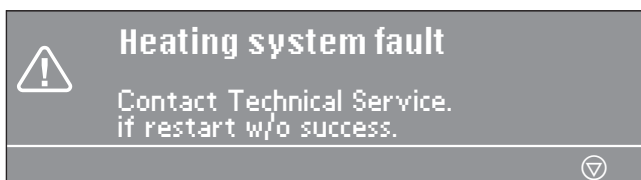
- Press "START" to continue the program.



- Insert the card properly into the card reader.



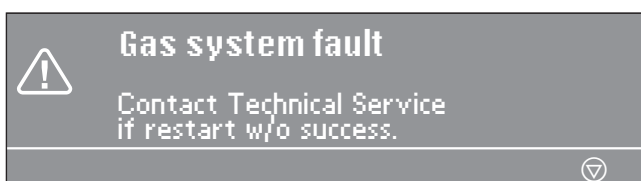
- Press "Start" to continue the program without heating. Contact Technical Service.



- Contact Technical Service.



- Contact Technical Service, if restart is not successful.



If the error occurs immediately after the program start:

- Open the gas valve and press "Start".

If the error occurs in the middle of a program run, the gas pressure may have decreased due to use of additional gas appliances.

- Press the "Start" button.
- Contact the Technical Service Department, if restart is not successful.

## After sales service

---

- In the event of a fault which you cannot correct yourself, please contact Technical Service.
- When contacting Technical Service please quote the model, serial number (SN) and part number (M.-Nr.) of the machine.

<b>Model</b>	
<b>SN:</b>	/ 0 0 0 0 0 0 0 0
<b>Art.-Nr.</b>	<b>Mat -Nr.</b>
<b>IBN</b>	

They can be found on the data plate located at the top of the door opening (when drum door is open) or on the back of the machine at the top.

- When contacting Technical Service report the fault in the display.


Only use original Miele spare parts when performing maintenance or repairs on this machine. When ordering please quote the model, serial number (SN) and part number (M.-Nr.) of the machine.



# Installation instructions

## IMPORTANT SAFETY INSTRUCTIONS

### **WARNING - Risk of Fire**

- ▶ Any installation, service or repair work is to be done by a Miele Service Technician. Any work done by an unauthorized person could be dangerous.
- ▶ Installation must conform with all local and national codes and regulations.
- ▶ Before installation, disconnect the dryer from the electrical supply by shutting off the power, unplugging the power cord or tripping the circuit breaker. Do not restore power until installation is complete.
- ▶ Be certain your appliance is properly installed and grounded by a qualified technician.
- ▶ For electrical safety this appliance must be grounded  in accordance with local codes. It is imperative that this basic safety requirement be met. If there is any doubt, have the electrical system of the house checked by a qualified electrician.
- ▶ Do not damage, remove or bypass the safety components, fixtures and control elements of this machine.
- ▶ CAUTION: Label all wires prior to disconnection when servicing controls. Wiring errors can cause improper operation.
- ▶ Ensure that there is adequate ventilation for operation in the room where it is installed.
- ▶ Do not operate the dryer in a room where cleaning machines operate with solvents containing CFC. Vapors turn into salt acid which may damage the laundry and machine. When operated in adjoining rooms, there should be no air exchange possible.
- ▶ The exhaust must not be led into a chimney used by another gas, coal or oil heated appliance. It must not be connected to any gas vent, chimney, wall, ceiling, or concealed space of a building. It should be directed by the shortest route into the open air or into a suitable venting duct. The duct must be designed and installed to accommodate the high air throughput (as few bends and as short a duct as possible and well shaped, leakproof joints).

- ▶ CAUTION: An unvented dryer produces combustible lint. Exhaust outdoors!
- ▶ No filters or louvers should be built into the exhaust duct.
- ▶ The connection between the exhaust ducting and the dryer must be airtight.
- ▶ Protect exhausts ducted into the open air against the weather by a 90° downward angle.
- ▶ To facilitate cleaning of the duct, cleaning flaps or covers should be fitted on the bends wherever possible.
- ▶ With upward sloping exhaust ducting a condensate drain must be made at the lowest point.
- ▶ Use only genuine Miele spare parts to replace faulty components.
- ▶ The minimum dimensions and distance required from the wall, as shown in the installation diagram, must be observed to allow service to be performed and the data plate to be viewed.
- ▶ Do not install the dryer where it is exposed to water and/or the weather.
- ▶ Install the dryer with adequate clearances for servicing and proper operation.
- ▶ See the "Installation - Exhaust, Air intake, Ventilation cross sections and Steam" manual for more information.

### **SAVE THESE INSTRUCTIONS**



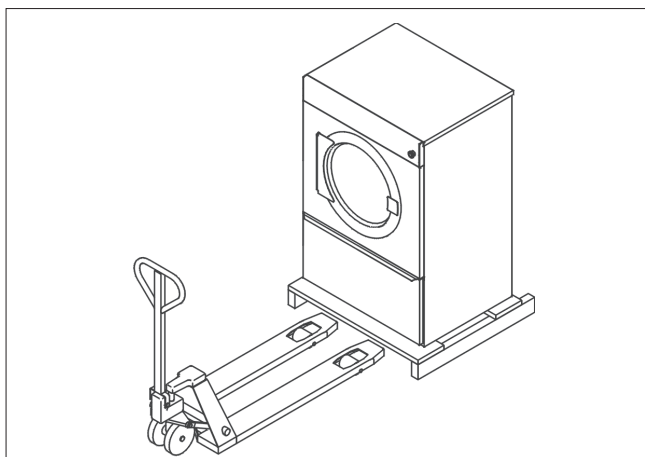
## IMPORTANT SAFETY INSTRUCTIONS


The dryer must be installed and tested by Miele's Technical Service Department or an authorized dealer.

This appliance must be installed in accordance with the applicable regulations and may only be used in a room with adequate ventilation.

Read the instructions prior to installation and use of this appliance.

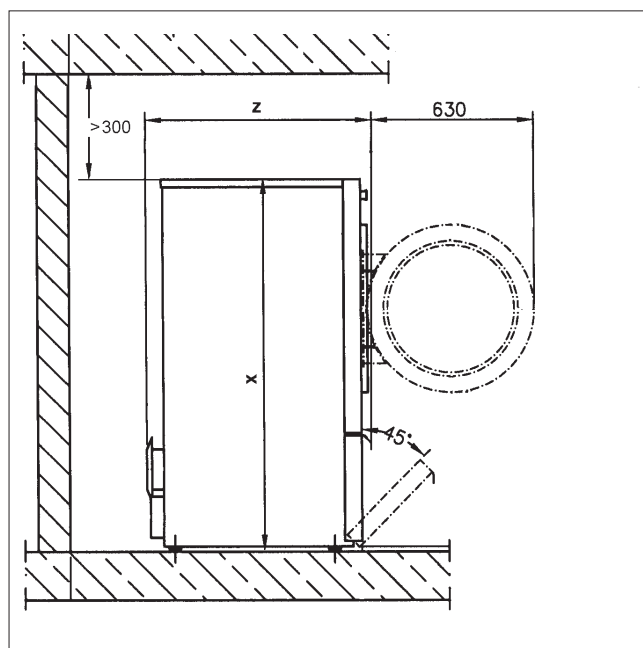
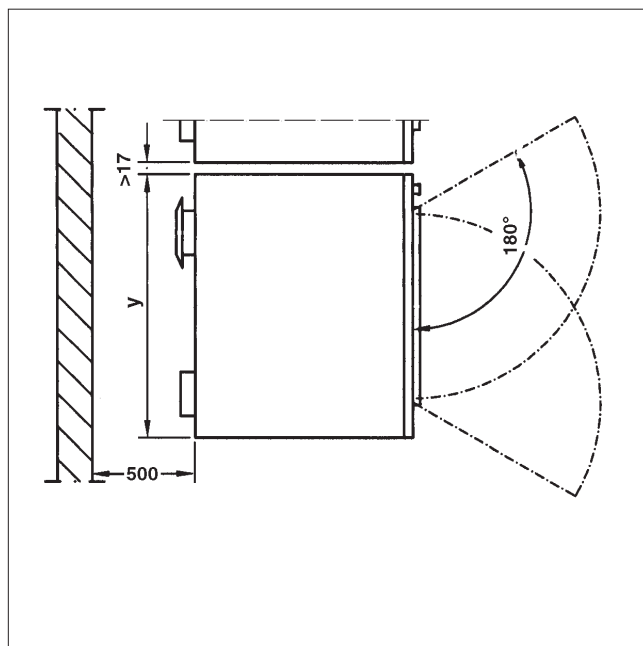
Do not install the dryer in rooms where the temperature may drop below freezing.



 The dryer must not be transported without the shipping pallet.

At the installation location, lift the dryer from the shipping pallet using appropriate lifting equipment.

To allow easy access for maintenance and servicing, the minimum dimensions and distance to the wall must be observed.

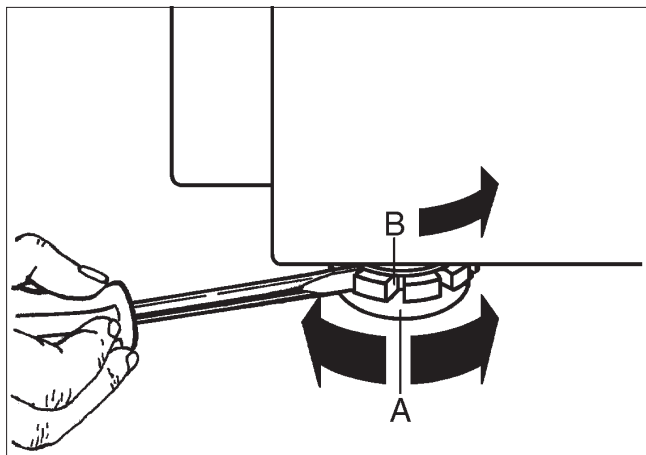


	PT 825X / 833X / 840X	PT 850X
<b>x</b>	55 1/8" (1400 mm)	64 9/16" (1640 mm)
<b>y</b>	35 11/16" (906 mm)	47 1/2" (1206 mm)
<b>z</b>	33" (836 mm) / 40 1/8" (1019 mm) / 45 3/16" (1148 mm)	39 7/16" (1002 mm) / 53 7/8" (1368 mm)

## IMPORTANT SAFETY INSTRUCTIONS

### Leveling the dryer

The dryer does not need to be installed on a base. However, adjustments must be made to compensate for any unevenness in the floor.



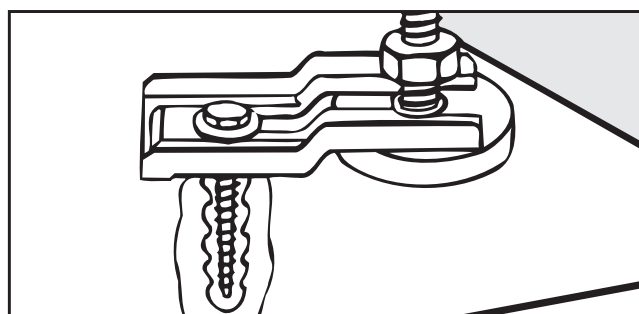
The dryer must be level for proper operation.

- Level the dryer by turning the feet clockwise or counterclockwise (**A**) as necessary.
- Once leveled, the discs (**B**) must be screwed tight to the dryer's base plate.

### Installation on an elevated base

The dryer can be installed on an elevated concrete base.

⚠ If installing the dryer on an existing concrete base, it **must** be secured with retaining clips. Otherwise, the dryer may fall off the base.



- Secure the front feet of the dryer with the retaining clips provided.

### **Reducing the noise level**

The dryer is fitted with an exhaust fan which causes a certain amount of noise.

To minimize the noise level, a muffler (available from Miele) can be installed at the exhaust connection (see installation instructions).

### **Coin mechanism**

The dryer can be equipped with a coin mechanism\*. An adapter\* is required.

The necessary reprogramming of the dryer must be performed by a Miele Service Technician.

Empty the coin box on a daily basis. This prevents the coins and tokens from accumulating and causing a malfunction.

\* available to order from Miele

### **Communication module XKM RS232**

(where available)

The optional communication module makes it possible to connect the dryer to a PC (personal computer) via a serial interface.

The outlet for the module is located on the back of the dryer.

This requires a special Editor Program which is available from the Miele Professional Department.

# IMPORTANT SAFETY INSTRUCTIONS

---

## Electrical connection

The electrical connections must be carried out by a certified electrician in accordance with all the national regulations.

Observe the enclosed wiring diagram.

Before installation, make sure that the voltage and frequency listed on the data plate correspond with the site's electrical supply.

If the appliance is hard wired, a multiple-pole separator must be installed. Separators with a contact gap of more than 1/8" (3 mm) are valid as separators. All components have to bear CSA or UL approval.

The plug connection or the separator must be accessible at all times.

You must be able to lock the separator or monitor it at all times in case the appliance has to be disconnected from the power supply.

When the dryer has been connected, check the rotation direction of the fan. It must turn clockwise. If it turns counter clockwise, two phases must be exchanged at the terminal box.

## Potential equalization

A potential equalization must be provided if the leak current is >10 mA.

## Air intake / Venting

Only operate the dryer if it is connected to proper venting ductwork, and there is sufficient air ventilation.

See the enclosed installation instructions.

## Hot water connection

The hot water connection must be carried out by a certified installer.

Please observe the enclosed installation instructions, as they are important for the hot water connection. If required, a lock valve can be installed on site.

## Steam connection

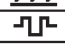







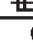





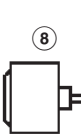



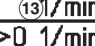


The steam connection must be carried out by a certified installer.

Observe the enclosed installation instructions.

The steam valve and the condensate trap are available from Miele.

	PT 825x	PT833x	PT 840X	PT 850X
Height	55 1/8" (1400 mm)	55 1/8" (1400 mm)	55 1/8" (1400 mm)	64 9/16" (1640 mm)
Width	35 11/16" (906 mm)	35 11/16" (906 mm)	35 11/16" (906 mm)	47 1/2" (1206 mm)
Depth	33" (836 mm)	40 1/8" (1019 mm)	45 3/16" (1148 mm)	39 7/16" (1002 mm)
Depth with door open	57 11/16" (1466 mm)	65" (1649 mm)	70" (1778 mm)	70" (1778 mm)
Weight	326 / 330 lb (148 / 149.5 kg)	297 / 369 lb (134.5 / 167.5 kg)	420 / 416 / 475 lb (190.5 / 188.5 / 215.5 kg)	525 / 526 / 584 lb (238 / 238.5 / 265 kg)
Drum volume	66 gal (250 l)	86 gal (325 l)	106 gal (400 l)	132 gal (500 l)
Max. dry laundry weight	28.7 lb (13 kg)	35.3 lb (16 kg)	44.1 lb (20 kg)	55.1 lb (25 kg)
Voltage (volts)	see data plate			
Rated load (watts)	see data plate			
Current (amps)	see data plate			
Certificates	see data plate			
Max. installed floor load	368 / 371 lb (1636 / 1651 N)	417 / 424 lb (1857 / 1886 N)	480 / 482 / 541 lb (2136 / 2143 / 2408 N)	608 / 609 / 667 lb (2703 / 2708 / 2968 N)
Noise level in dB (A)	< 70	< 70	< 70	< 70

## Guide to the data plate symbols

<b>Model</b>		(1)				
<b>SN:</b>		(2)				
<b>Art.-Nr.</b>		(3)				
<b>Mat.-Nr.</b>		(4)	(18) 	(19) 	<b>Total</b>	<b>Total</b>
		(5)				
						
						
						
		(6)				
		(7)				
						
		(9)	$Q_n$ (Hi)			
		(10)				
	Vol./G	(11)				
	E kin	(12)				
	0 	(13)/min				
	(14) 	1/min				
			IP X4	(23)		
						

<b>Model</b>	
<b>SN:</b>	/ o o o o o o o o
<b>Art.-Nr.</b>	Mat.-Nr.
<b>IBN</b>	

- 1 Model
- 2 Serial number
- 3 Item number
- 4 Material number
- 5 Voltage / Frequency
- 6 Control breaker
- 7 Motor
- 8 Drum data
- 9 Drum diameter / Drum depth
- 10 Spin speed
- 11 Drum volume / Dry laundry weight
- 12 Kinetic energy
- 13 Acceleration time
- 14 Deceleration time
- 15 Heating
- 16 Name / Year of manufacture
- 17 Commissioning date
- 18 Electrical heating
- 19 Breaker at the building's electrical service panel
- 20 Steam heat indirect
- 21 Steam heat direct
- 22 Gas heating
- 23 Certificates

### **Disposal of the packing materials**

The cardboard box and packing materials protect the appliance during shipping. They are environmentally friendly for disposal and can be recycled.

To prevent suffocation of children ensure that any plastic wrapping, bags, etc. are disposed of safely and kept out of the reach of children.

Please recycle.

### **Disposal of an old appliance**

Old appliances may contain materials that can be recycled. Please contact your local recycling authority about the possibility of recycling these materials.

Ensure that the appliance presents no danger to children while being stored for disposal. Before discarding an old appliance, unplug it from the outlet, cut off its power cord and remove any doors to prevent hazards.





## 1. Sort the laundry

Not all fabrics are suitable for drying in a tumble dryer. Pay attention to the manufacturer's instructions on the wash care label.

- ☉ = Dry at normal temperature
- ☺ = Dry at low temperature
- ☒ = Do not tumble dry
- Sort the laundry by fabric and color

## 2. Turn on the dryer and load the laundry

- Press the I "On" button to turn the dryer on.
- Open the drum door and load the laundry loosely into the drum.

## 3. Turn the jog shuttle to select a program

Programs may vary depending on the offerings of your machine.

- |                                 |                        |
|---------------------------------|------------------------|
| 1 White Cottons 0%              | 14 Outerwear 0%        |
| 2 Cottons 0%                    | 15 Hand wash Silks 16% |
| 3 Colors 0 %                    | 16 Hand wash Woolens   |
| 4 Darks 0%                      | 17 Waterproofing 0%    |
| 5 Wrinkle Free 0%               | 18 Hot air 20 Min.     |
| 6 Delicates 20%                 | 19 Cool air 15 Min.    |
| 7 600+TC Sheets Hot 0%          | 20 Smoothing           |
| 8 600+TC Sheets Warm 0%         | 21 Denim / Jeans 2%    |
| 9 Silk and Rayon Bed Linens 16% | 22 Dress Shirts 2%     |
| 10 Down Comforters & Pillows 0% | 23 Towels 0%           |
| 11 Washable Bedspreads 0%       | 24 Outerwear Plus 0%   |
| 12 Linen Tablecloths 25%        | 25 Automatic 0%        |
| 13 Mixed Fiber Tablecloths 25%  |                        |

## 4. Press the "Start" button to start the program



## 5. The program end is indicated in the display and the buzzer sounds.

### 5. The buzzer sounds when the program is finished

- Open the drum door and remove the laundry.

## 6. After drying

- Close the drum door.
- If necessary, clean the lint filter.





Please have the model and serial number  
of your appliance available before  
contacting Technical Service.

---

## **U.S.A.**

**Miele, Inc.**

### **National Headquarters**

9 Independence Way  
Princeton, NJ 08540  
Phone: 800-843-7231  
609-419-9898  
Fax: 609-419-4298  
[www.mieleusa.com](http://www.mieleusa.com)

### **Technical Service & Support**

#### **Nationwide**

Phone: 800-999-1360  
Fax: 888-586-8056  
[TechnicalService@mieleusa.com](mailto:TechnicalService@mieleusa.com)

**Importer**  
**Miele Limited**

### **Headquarters and Miele Centre**

161 Four Valley Drive  
Vaughan, ON L4K 4V8  
[www.miele.ca](http://www.miele.ca)

### **Customer Care Centre**

Phone: 800-565-6435  
905-532-2272  
[customercare@miele.ca](mailto:customercare@miele.ca)

## **Germany**

### **Manufacturer**

Miele & Cie. KG  
Carl-Miele-Straße 29  
33332 Gütersloh



[www.miele-shop.com](http://www.miele-shop.com)

Operating instructions

# Dryers



PT 8257  
PT 8337  
PT 8407  
PT 8507  
PT 8807

To avoid the risk of accidents or damage to the machine it is **essential** to read these instructions before installing, commissioning and using it for the first time.

en - CA

M.-Nr. 07 713 522



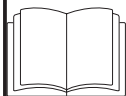
<b>Warning and Safety instructions</b> . . . . .	4
<b>Caring for the environment</b> . . . . .	6
<b>Guide to the machine</b> . . . . .	7
Control elements . . . . .	8
<b>Drying</b> . . . . .	10
Sort the laundry . . . . .	10
Before using for the first time . . . . .	11
Switch the machine on and load the drum . . . . .	11
Select a program . . . . .	12
<b>Card operation / coin mechanism</b> . . . . .	15
Card access operation . . . . .	15
Drying using coin mechanism C 4060 / C 4065 / C 4070 . . . . .	15
<b>Additional options</b> . . . . .	16
Start date and time . . . . .	16
Program stop . . . . .	17
Program cancellation . . . . .	17
Changing order of program structure . . . . .	17
Program information . . . . .	17
<b>Program overview</b> . . . . .	18
Standard programs . . . . .	18
Duvets . . . . .	20
Mops (Buildings maintenance) . . . . .	20
Fire service . . . . .	21
Professional cleaners . . . . .	21
<b>Optional modules</b> . . . . .	23
Operating data . . . . .	23
Peak load cut-out . . . . .	24
<b>Problem solving guide</b> . . . . .	25
Error messages . . . . .	25
After sales service . . . . .	26
<b>Cleaning and care</b> . . . . .	27
Fluff filter . . . . .	27
<b>Installation and connection</b> . . . . .	28
Levelling the machine . . . . .	29
Installation on a raised plinth . . . . .	29
Coin mechanism . . . . .	29
Communication module XKM RS232 . . . . .	29
Electrical connection . . . . .	30
Air inlet and exhaust connection . . . . .	30
Steam connection . . . . .	30
<b>Technical data</b> . . . . .	31
<b>Explanation of symbols on the data plate</b> . . . . .	32
<b>Abbreviated operating instructions PT 8257 / 8337 / 8407 / 8507 / 8807</b> . . . . .	33

## Warning and Safety instructions

### Explanation of the Warning and Safety symbols on the machine



It is essential to read these operating instructions.



Please refer to specific instructions, e.g. Installation instructions



Caution, hot surfaces.



Caution, voltage up to 1000 volts.



Earthing

To avoid the risk of accidents and damage to the machine read the operating instructions carefully before using it for the first time. They contain important information about the installation, safety, use and maintenance of the machine. Keep them in a safe place and ensure that new users are familiar with the content. Pass them on to any future owner of the machine.

### Correct application

- ▶ This dryer must only be used for drying articles which were washed in water and which have a care label stating that the article is suitable for machine drying.
- ▶ **To prevent the risk of fire, the following must not be dried in this tumble dryer** (with the exception of those fabrics which can be dried in the Special Programs specifically designed for them):
  - fabrics which contain a large proportion of rubber, foam rubber or rubber-like materials.
  - items which have been treated with inflammable cleaning agents.
  - items which have been splashed with hair lacquer, hair spray, nail varnish remover or similar substances.
  - items which have been soiled with oils or residues containing grease (kitchen oils, cosmetics etc.).
  - items soiled with wax or other chemicals (e.g. mops and floor cloths).
  - items with damaged padding or fillings (e.g. pillows, jackets).

- items soiled with grease or oil which have not been properly cleaned beforehand. Use heavy-duty detergents where necessary to clean heavily soiled garments, e.g. workwear. If necessary consult the detergent manufacturer for advice.

With sensitive fabrics there may be a danger of them **self igniting** if dried for too long. They should be removed as soon as the program has finished or if there is a power cut.

Keep a fire extinguisher near the machine at all times.

- ▶ Do not unload laundry from the drum **until the cooling down phase** has been completed. Hot laundry can self ignite and cause a fire when folded or put away.
- ▶ Check that all pockets of workwear etc are empty to avoid the danger of inflammable objects, e.g. cigarette lighters, matches, candles or cosmetics being placed in the dryer.
- ▶ If the dryer is installed in a public area the owner must ensure that it can be operated safely.
- ▶ This dryer must not be used outside.

### Technical and electrical safety

- ▶ This machine must only be installed and commissioned by a Miele technician.
- ▶ The electrical safety of this machine can only be guaranteed if connected to a correctly installed earthing system on site. It is most important that this basic safety requirement is present and tested regularly, and where there is any doubt, the on-site electrical wiring should be inspected by a qualified electrician. The manufacturer cannot be held liable for the consequences of an inadequate earthing system (e.g. electric shock).
- ▶ The machine is only completely isolated from the electricity supply either when it is switched off at the isolator switch or the mains fuse has been withdrawn.
- ▶ Repairs to electrical heated appliances should only be carried out by a suitably qualified and competent person in accordance with local and national safety regulations. Repairs and other work by unqualified persons could be dangerous. The manufacturer cannot be held liable for unauthorised work.
- ▶ Faulty components must only be replaced by genuine Miele original spare parts. Only when these parts are fitted can the safety standards of the machine be guaranteed.
- ▶ This machine must not be operated in the same room as dry cleaning machines which use solvents containing chlorofluorocarbons (CFCs). Escaping vapours break down during combustion into hydrochloric acid which can have a detrimental effect on both the laundry and the machine. Even when such machines are installed in separate rooms, care should be taken to ensure that no exchange of air can take place.



## Warning and Safety instructions

---

▶ The dryer must have a constant supply of fresh air. Vapours containing chlorine, fluorine or other solvents must not be able to reach the dryer.

▶ The ventilation inlet to the dryer is located at the back of the machine. It must not be blocked or hindered in any way. Do not cover the machine lid with cloths or similar items.

▶ Benzine, petrol, paraffin or any easily flammable substance must not be stored or used near the tumble dryer. **Fire and explosion risk.**

▶ To ensure the correct performance of the machine and to prevent the risk of faults and fire, it is important to check the machine and carry out maintenance on a regular basis.

### Use

▶ This tumble dryer must only be used when it is connected to a suitable ducting system. The installation site must be adequately ventilated.

▶ This tumble dryer is not intended for use by people with reduced physical, sensory or mental capabilities, or lack of experience or knowledge, unless they are supervised whilst using it or have been shown how to use it by a person responsible for their safety.

▶ Keep children away from the tumble dryer at all times. It is not a toy! To avoid the risk of injury do not allow them to play on or near it or to play with the controls. Supervise children whilst you are using it.

▶ Always close the drum door and the fluff filter compartment after use to avoid:

- the risk of children hiding things in the dryer
- the risk of children and small animals climbing into the drum and endangering their lives.

▶ Do not use a machine with damaged controls or cables. These must be repaired before it is used again.

▶ Do not damage, remove or bypass the safety features, fixtures and control elements of this machine.

▶ Any removable outer panels must be back in place, and all moving or electrical parts shielded before the machine is switched on.

▶ Whilst the dryer is in use the porthole glass and drum door frame can become very hot. Laundry will also be very hot if you remove it early.

▶ To prevent the risk of injury or scalding components carrying steam must not be touched.

▶ Always make sure that the drum is stationary before reaching into the machine to remove laundry. Reaching into a moving drum is extremely dangerous.

▶ Take care near the drum door hinges and the fluff filter compartment flap. Danger of injury. Ensure that you always use the handles.

▶ The drum door must be able to be opened to its fullest extent. This area must not be restricted by doors or structural features.

▶ Do not use the machine without the built-in fluff filter in place. **Fire risk.**

A damaged fluff filter must be replaced before the machine is used again.

Otherwise fluff and lint will cause a blockage in the airways, the heating and the vent ducting, and the correct functioning of the machine cannot be assured.

▶ Cleaning and disinfecting agents often contain chlorine-based substances. Do not let such agents come into contact with the stainless steel surfaces, as the chlorine can have a corrosive effect and cause rust. Use chlorine-free agents for washing and disinfecting and also for cleaning stainless steel surfaces to protect them from corrosion. If in doubt, confirm with the manufacturer that their product is suitable. If any agent containing chlorine comes into contact with the stainless steel surfaces, wipe it away immediately with clean water. Then dry with a soft cloth.

▶ Do not use a pressure washer or hose to clean the machine.

### Using accessories

▶ Accessory parts may only be fitted when expressly approved by Miele. Using spare parts or accessories from other manufacturers will invalidate the guarantee, and Miele cannot accept liability.

### Disposing of your old machine

▶ Before disposing of an old machine, first make the door lock unusable. This way you will prevent children from accidentally locking themselves in and endangering their lives.

### Keep these instructions in a safe and accessible place.

## Disposal of the packing material

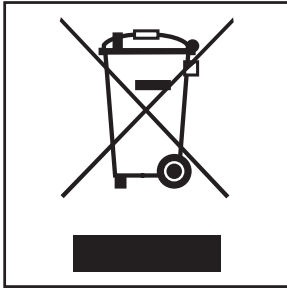
The transport and protective packing has been selected from materials which are environmentally friendly for disposal.

Rather than just throwing these materials away, please ensure they are recycled.

⚠ Ensure that any plastic wrappings, bags, etc are disposed of safely and kept out of the reach of babies and young children. Danger of suffocation.

## Disposing of your old machine

Electrical and electronic machines often contain materials which, if handled or disposed of incorrectly could be potentially hazardous to human health and to the environment. They are, however, essential for the correct functioning of your machine. Please do not therefore dispose of it with your household waste.



Please dispose of it at your local community waste collection / recycling centre. Ensure that it presents no danger to children while being stored for disposal.

See the "Warning and Safety" section of this booklet for further details.

## Tips on saving energy

Make sure that your laundry is thoroughly spun before drying. This saves time and energy.

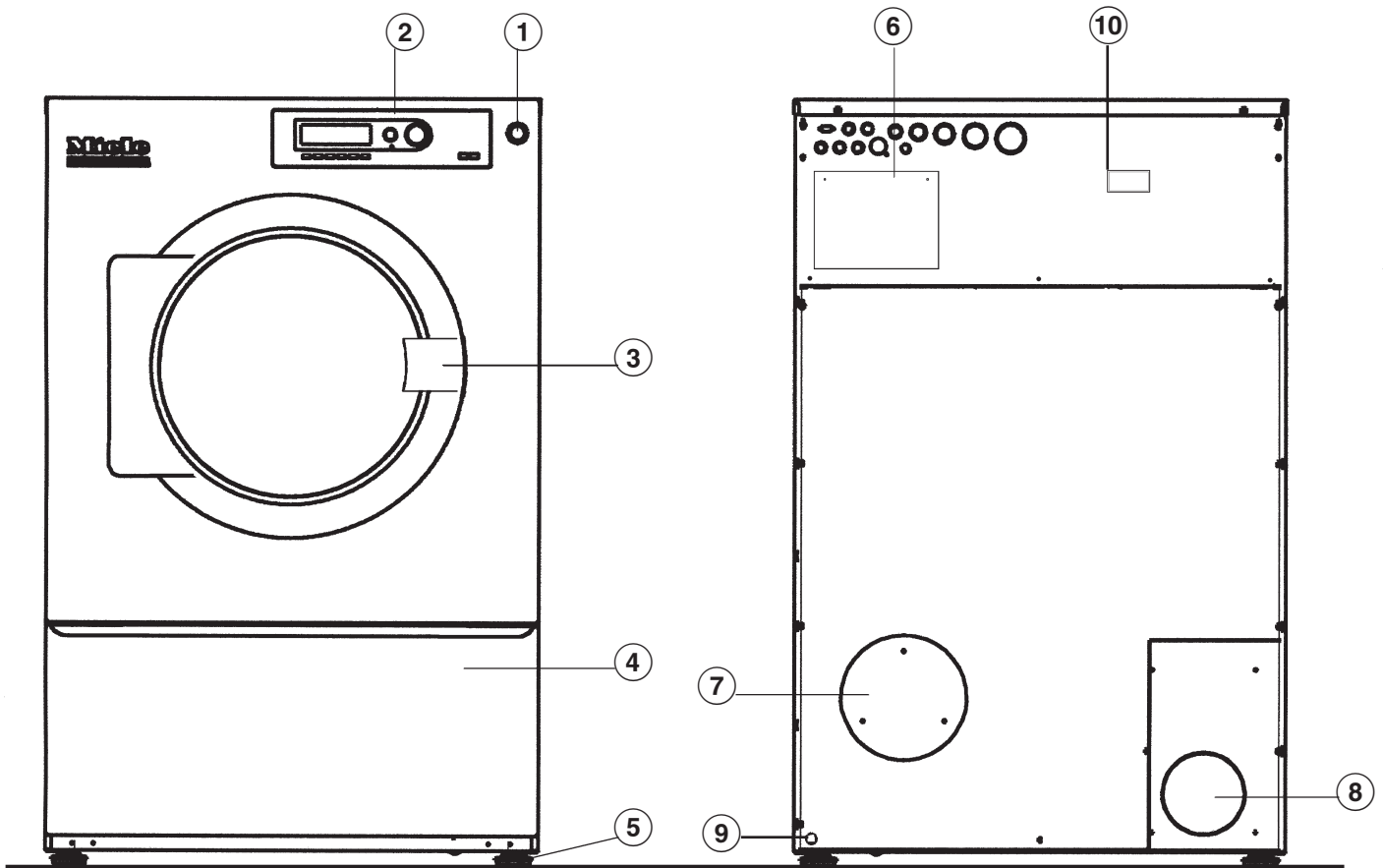
Rinsing the laundry using hot water in the final rinse helps to reduce the residual moisture level, and the residual heat in the laundry will help keep processing time down, thus saving energy.

Sort textiles according to:

- fabric and weave,
- drying level required,
- residual moisture levels.

For greater economy dry a full load. Underloading is uneconomical. Overloading will impair the drying result and the laundry finish.

Ensure that the room is well ventilated.



**① Emergency stop switch**

Only for use in an emergency.  
Once the danger is no longer present, turn the grooved disc clockwise to disengage the switch.

Do not use the Emergency stop switch to turn off the dryer in normal use.

**② Control panel**

**③ Drum door**

Pull the door handle to open the drum door.

**④ Access to fluff filter**

Pull the handle to open the fluff filter compartment.

**⑤ 4 adjustable screw feet**

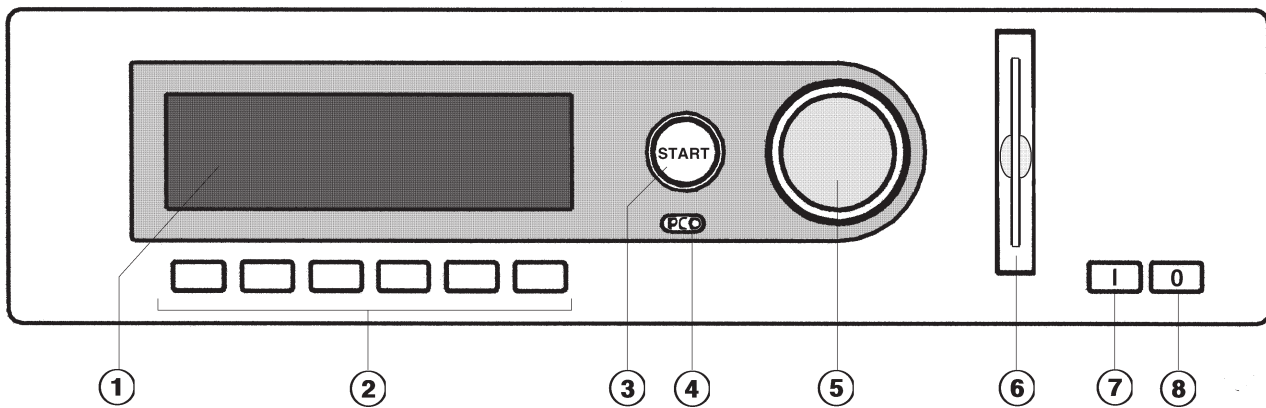
**⑥ Electrical connection**

**⑦ Air intake**

**⑧ Exhaust connection**

**⑨ Equipotential bonding**

**⑩ Communication slot**



## Control elements

### ① Display

1	Cottons extra dry	0%
2	Cottons dry	0%
3	Cottons damp	20%

After switching on, the "Welcome" display will appear for a short time followed by the program list. The most recently used program is highlighted.

### ② Function buttons

The six buttons underneath the display are the function buttons. These buttons have specific functions depending on the status of the machine. These functions will be listed in the display above the buttons and will be highlighted once selected. If the machine is reprogrammed to "Direct button allocation" the first 6 programs listed in the display can be selected directly via these buttons.

### ③ Start button

The lighting will flash when a selected program can be started. Pressing the Start button will start the program. After a program has started, pressing this button will show the display as it was before the start of the program.

### ④ PC / Optical interface

This interface is used for transferring data to the control unit from a PC and vice versa.

### ⑤ Rotary selector

Turning the selector brings up options and menus in the display. Pressing the selector confirms your selection.

### ⑥ Chip card reader (optional)

If the machine has been programmed for card operation, you can only use those programs stored on the card to dry laundry. Insert the card in the direction of the arrow (on the card).

### ⑦ I Mains on switch

Switches the machine on.

### ⑧ 0 Mains off switch

Switches the machine off.

## Function buttons

### Stop/End

The function button on the right-hand side is used to stop a program after it has started. Pressing it again finishes the program.

### Block plus

The relevant program block (e.g. Pre-dry) is added to the program.

### Settings

Press this button to switch to another language temporarily.

### Start time

Pressing this button before the start of a program displays the message that a start time can be selected.

### Information


Press this button to call up program information in the display.

### Change order of program structure

The order of the program in progress can be changed or program blocks can be repeated.

### Back

Takes you back to the previous display.

 Indicates that there is more information on next or previous line.

### Save

See the programming instruction booklet.

### Programme locked

Once a locked program has been started, the End button can only be used to stop and cancel it during the first minute.

### Programme unlocked

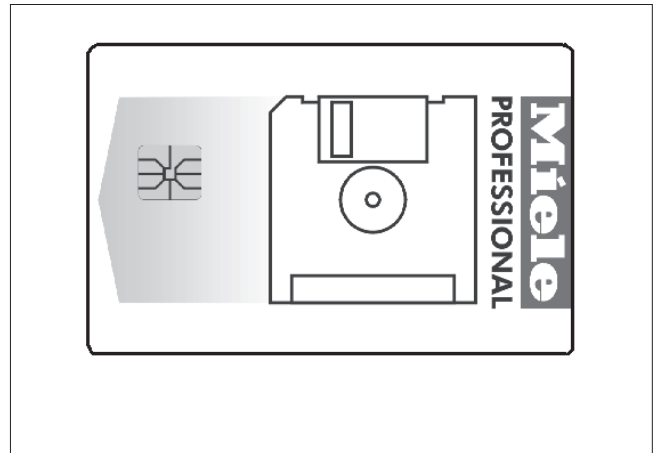
### Operating data



Data transfer

## Chip card operation

The chip card is supplied without any programs. See the programming instruction booklet for information on transferring data from the control unit to the chip card and vice versa.



The chip card can store a maximum of 30 programs, each with 6 blocks.

The back of the chip card can be labelled.


## Sort the laundry

Not all textiles are suitable for machine drying. Please read the instructions given on the garment care label.

The meaning of the care symbols:

 = Dry at normal temperature

 = Dry at low temperature

 = Do not tumble dry

Sort the laundry according to fibre type and weave to ensure even drying and to prevent the risk of damage to textiles.

 **To prevent the risk of fire, the following must not be dried in this tumble dryer** (with the exception of those fabrics which can be dried in the Special Programmes specifically designed for them):

- fabrics which contain a large proportion of rubber, foam rubber or rubber-like materials.
- items which have been treated with inflammable cleaning agents.
- items which have been splashed with hair lacquer, hair spray, nail varnish remover or similar substances.
- items which have been soiled with oils or residues containing grease (kitchen oils, cosmetics etc.).
- items soiled with wax or other chemicals (e.g. mops and floor cloths).
- items with damaged padding or fillings (e.g. pillows, jackets).
- items soiled with grease or oil which have not been properly cleaned beforehand. Use heavy-duty detergents where necessary to clean heavily soiled garments, e.g. workwear. If necessary consult the detergent manufacturer for advice.

### The following textiles should not be machine dried:

Woollens and wool blends as these tend to matt and shrink. Pre-finish drying these using in the "Woollens" program.

Pure linen tends to roughen if tumble dried. Please follow instructions given on the care label.

### Important:

Textiles with large metal accessories such as buckles, hooks and zip tags should be placed in a laundry bag or a pillow case before drying. This is to protect the drum from scratches and dents during drying.

Garments with closed metal zips can cause the sensor electrodes in the drum ribs to be bridged.

This can cause the drying process to go on for too long, or to not finish at all. Open zips before drying.

Loopknit and woven textiles (e.g. T-shirts and underwear) have a tendency to shrink depending on their quality. This is made worse by over-drying. Do not use the "Cottons extra dry" for these textiles.

Starched laundry can be machine dried. Select the most appropriate program for ironing by hand or machine.

Sort the laundry according to the level of dryness required. It is not necessary to sort according to size.

Duvet covers and pillow cases should be closed to prevent smaller items rolling up inside them.

For greater economy dry a full load. Underloading is uneconomical. Overloading will impair the drying result and the laundry finish.

Rinsing the laundry using hot water in the final rinse helps to reduce the residual moisture level, and the residual heat in the laundry will help keep processing time down, thus saving energy.

# Drying

The machine must be commissioned by a Miele technician before it is used for the first time.

## Before using for the first time

Before loading the dryer with laundry you should wipe the internal drum surface with a soft, dry cloth.

## Switch the machine on and load the drum

- Open all faucets for steam as applicable.
- Switch on the on-site mains switch.
- Press the **I** "On" button in.

The Welcome screen will appear..



This is followed by the program list (with the most recently used program highlighted).

1	Cottons extra dry	0%
2	Cottons dry	0%
3	Cottons damp	20%

Select a program using the rotary selector.

- Open the drum door.
- Load the drum.  
The pre-sorted laundry should be loaded loosely in the drum.

Make sure any dispensing aids such as detergent balls have been removed from the laundry.

## Max. load (dry weight of laundry)

PT 8257	PT 8337	PT 8407	PT 8507	PT 8807
Drum volume in litres				
250	325	400	500	800
<b>1, 2, 3, 4, 5 Cottons</b>				
10-13 kg	13*-16 kg	16*-20 kg	20*-25 kg	32*-40 kg
<b>6, 7, 8 Minimum iron</b>				
5 kg	6.6 kg	8 kg	10 kg	16 kg
<b>9 Woollens</b>				
4 kg	5.2 kg	6.4 kg	8 kg	12.8 kg
<b>10 Delicates / Synthetics</b>				
2 kg	2.6 kg	3.2 kg	4 kg	6.4 kg
<b>11, 12 Timed drying programs</b>				
10-13 kg	13*-16 kg	16*-20 kg	20*-25 kg	32*-40 kg
<b>13, 14 Proofing, Outerwear</b>				
5-6.6 kg	6.6-9 kg	8-11 kg	10-13 kg	16-20 kg

\* Hot water machines

To prevent the risk of damaging laundry make sure it cannot be trapped when the door is closed.

- Close the drum door.

## Select a program

This machine is equipped with an electronic sensor system that continually monitors the moisture level of the laundry.

As soon as the required dryness is reached the laundry is cooled down. At the end of this cooling down phase the drying program is automatically finished.

### Standard programs:

#### – For drying cotton and linen textiles

1	Cottons extra dry	0 %
2	Cottons dry	0 %
3	Cottons damp	20 %
4	Cottons damp	25 %
5	Cottons damp	40 %

#### – For drying synthetic and mixed fibre textiles

6	Minimum iron dry	0 %
7	Minimum iron damp	10 %
8	Minimum iron damp	20 %
9	Woollens	5 min.
10	Delicates	20 %

#### – For airing textiles

11	Timed drying cold air	15 min.
----	-----------------------	---------

#### – For drying small loads of laundry or for finishing drying individual items

12	Timed drying hot air	20 min.
----	----------------------	---------

1	Cottons extra dry	0%
2	Cottons dry	0%
3	Cottons damp	20%

- Turn the rotary dial to select a program (e.g. Program **2** Cottons dry).


## Select the additional option "Blockplus" if required


(this is not available on standard programs)

- Confirm the selection of the program by pressing the rotary selector.

The following (example) will appear in the display:

22	Cottons dry	10.0 / 13.0 kg
0 %	Drying	70°C
	Cooling down	

- If wished you can now select a program block, e.g. Pre-drying by pressing the  "Blockplus" function button.

When the  "Blockplus" function button is pressed, the following will appear in the display:

22	Cottons dry	10.0 / 13.0 kg
24 %	Pre-drying	
0 %	Drying	

The  field is highlighted.

Press the function button again to deselect the function.

If you do not wish to make any further alterations to the program:

- Press the "Start" button. The program will start.

## If you wish to make alterations before the start of the program, e.g. to the load size, temperature or residual moisture:

- Confirm the selection of the program by pressing the rotary selector.

The following (example) will appear in the display:

2	Cottons dry	10.0 / 13.0 kg
0 %	Drying	70°C
	Cooling down	

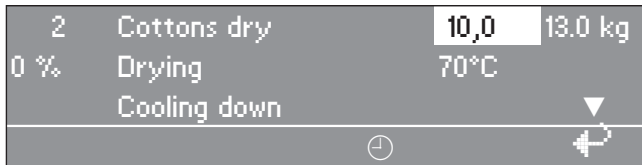
The max. load will be shown at the far right of the display.



# Drying

## Load weight

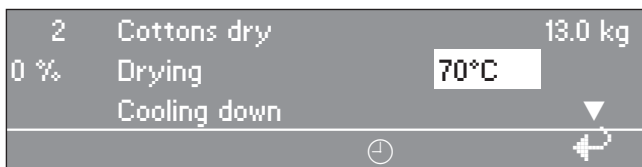
You can enter the weight of the load manually before the start of the program.



- Turn the rotary dial to highlight the load. Press the dial to confirm your selection. Turn the dial to alter the weight and confirm your selection by pressing it.

**Temperature** in 1 °C increments from cold, 30 to max. 80 °C .

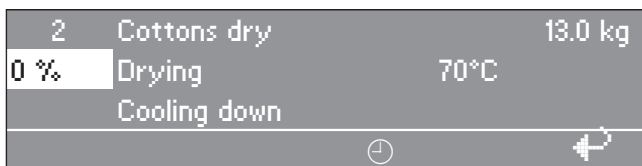
- Turn the rotary dial to select the "Temperature" field (70 °C for drying) and press it to confirm your selection.



- Turn the rotary dial to alter the temperature value and then press it to confirm your selection.

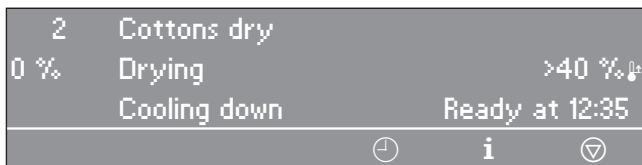
**Residual moisture** in 1 % increments from -4 to 40 %.

- Turn the rotary dial to select the "Residual moisture" field (0 %) and press it to confirm your selection.



- Turn the rotary dial to alter the residual moisture level and then press it to confirm your selection.
- Press the Start button and the program selected will commence.

Once a program has started the program sequence will appear in the display.



In the 2nd line of the display, drying in this example, the actual residual moisture level (>40%) and the symbol for ⚡ Electric switched on will also be shown. The 3rd line displays the following program block.

The time that the program will finish (12:35) is shown on the right hand side of the display.

The program end display has a self-learning function and will not show an accurate reading until the program has been run several times.

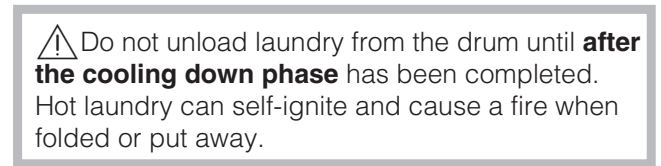
## At the end of a program



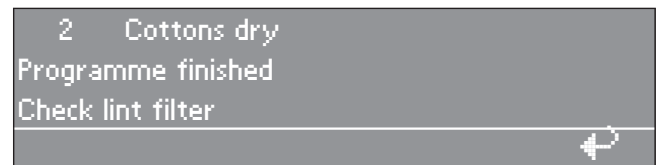
The program end time is displayed, the buzzer sounds and the anti-crease phase commences. The drum will rotate at intervals to keep the laundry from creasing.

This is useful if laundry is not going to be unloaded as soon as the program finishes.

- Open the drum door.
- Unload the drum.  
Make sure nothing is left behind in the drum. If items are left in the dryer, they could be damaged by overdrying when the dryer is next used.



- Check the fluff / lint filter and clean if necessary.




A reminder will appear in the display when the filter need to be cleaned. The filter should be cleaned as soon as the program finishes.

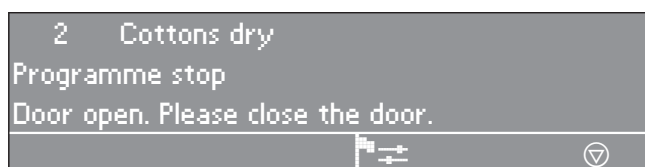
## If no more laundry is to be processed:

- Close the drum door
- Press the **0** "Off" button to switch the machine off.
- Switch off the on-site mains switch.
- Close all faucets for steam as applicable.

## Adding or removing items

The drum door can be opened during a drying program to remove or add items if necessary.

 Always make sure that the drum is stationary before reaching into the machine to remove laundry. Reaching into a moving drum is extremely dangerous!



To continue the drying program:

- Close the drum door

The fan will switch itself on automatically if the temperature in the drum is too high.

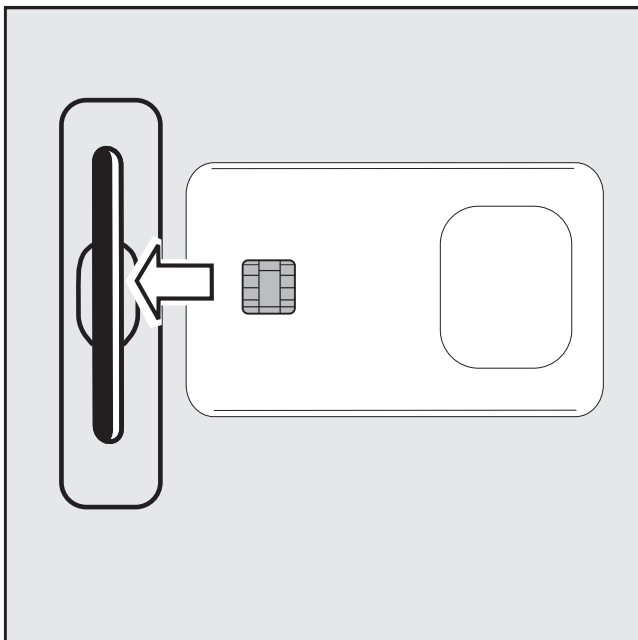
- Press the "Start" button and the program selected will continue.

## Card operation / coin mechanism

Cards on which a program has been saved can only be used on the machine type for which they have been written.

Unwritten cards can be used universally.

- Press the "On" I button to switch the machine on.



The Welcome screen will appear.

- Insert the card in the reader.

The programs listed on the card will appear in the display.

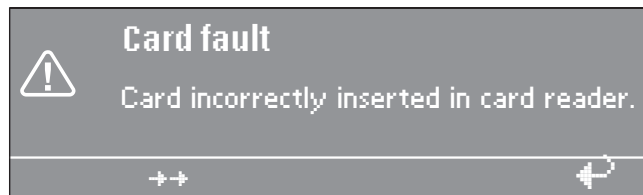
Card operation		
17	Protective clothing	45 °C
18	Minimum iron	60 °C

- Use the rotary selector to highlight the program you want to use. Press the rotary dial to select the program you have highlighted.
- Press the Start button. The program will start.

After pressing the "Start" button you can remove the card from the reader. The program is deleted from the machine's memory once it has finished.

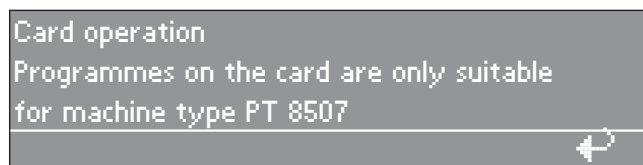
⚠ Never insert any other card or object into the card reader!

If the card is inserted the wrong way round the following message will appear in the display:



- Insert the card the right way round in the card reader.

If the card is not the right one for the machine it is being used in, the following message will appear in the display:



- Insert the correct card for the machine in the card reader.

### Card access operation

Programs requiring special procedures are written onto a card which is then used to run the program. "Card access" has been activated via the supervisor level in the machine.

The machine will then only run programs by using a card (on which **one** program has been saved). Programs in the machine's control unit cannot then be accessed.

### Drying using coin mechanism C 4060 / C 4065 / C 4070

If the machine is not operated in the following order you will lose your money or tokens!

- 1 Load the drum and close the door.
- 2 Press the I "On" button.
- 3 Select a program
- 4 Insert coins or tokens.
- 5 Press the "Start" button.

## Language selection

The language shown in the display can be changed briefly before starting a program if you wish. To do so use the button underneath the flag symbol.



If you press the button the following will appear in the display:



- Press the rotary dial to confirm your selection of the "Language" menu.



- Turn the rotary dial to highlight the language you want and then press the dial to confirm your selection.

The function button can be pressed to change to a different language temporarily. By highlighting the language the display will immediately change to show the language selected. If the program is not started, or no other buttons or controls are activated in the next 5 minutes the language will revert back to the default setting.

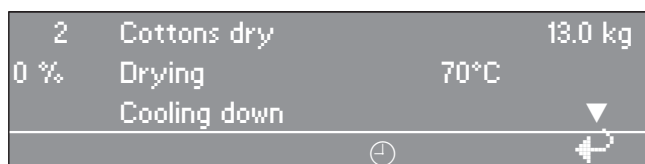
The language will revert back to the default setting 5 minutes after the end of a program with the door open.

## Start date and time

If you want a program to start at a later time use the button for "Start date and time".

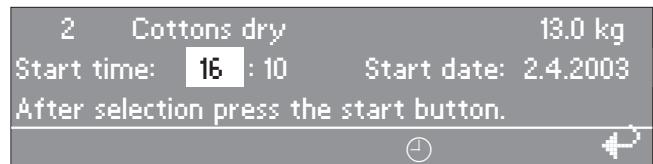
### To set a date and time

After selecting your program, the following (example) will appear in the display:



- Press the "Start date and time" button.

The following (example) will appear in the display:



The current time and date will then appear. The input field for hours will be highlighted.

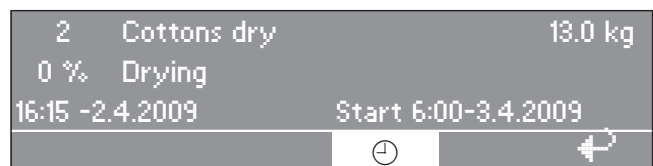
- Press the rotary dial to change the hour. Turn the rotary dial to alter the hour and then press it to confirm your selection.
- Then turn the rotary dial to select the "Minutes" field and press it to confirm your selection. Turn the dial to alter the minutes and then press it to confirm your selection.
- Then turn the rotary dial to select the "Start date" field and press it to confirm your selection. Turn the dial to alter the date and then press it to confirm your selection.

- Do the same for the month and the year.

After setting the required start date and time:

- Press the Start button and the program selected will commence at the time specified.

The display will now contain the following information:




The current time and date as well as the start time will be displayed.

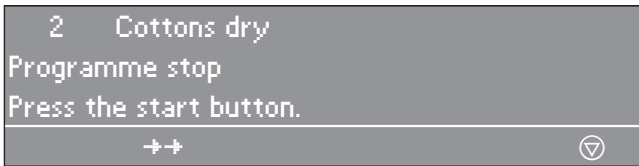
- If the door is opened again you will have to press the Start button again.

### To cancel the start time and date function

Press the "Start date and time" button again or press "Back", and any changes will be rejected.


## Program stop

To halt the program press the  button.  
The program remains stationary.



To continue the program press the "Start" button.

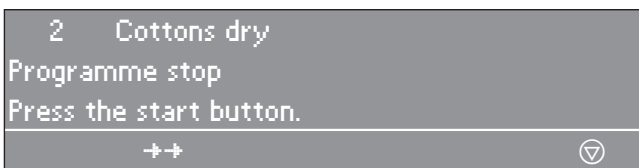
## Program cancellation


To cancel a program press the  "Stop/End" button twice in succession.

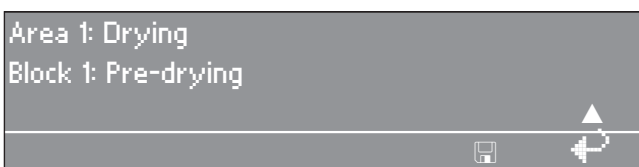
## Changing order of program structure

The structure of programs that are in progress can be adjusted or program blocks can be repeated.



- Press the  button and the program will stop.



- After pressing the  button the current area or block will appear in the display.  
See also "program structure" in the Programming Manual.

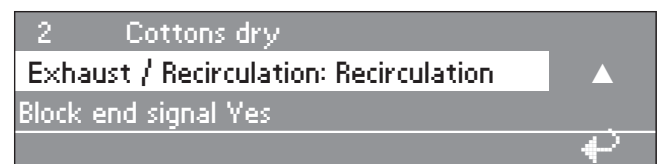
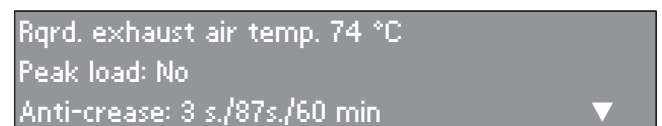
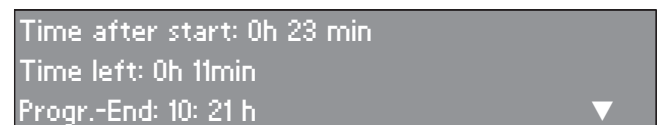
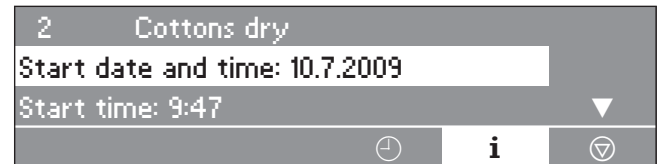



- Turn the rotary dial to select the area, and then press it to confirm your selection.  
Select Area: 1 Drying, or 2 Cooling down and confirm your selection.
- Turn the rotary dial to select the block and then press it to confirm your selection.  
Select Block: Drying 1-10, or Cooling down 1-10 and confirm your selection.

- Press the  "Save" button and then press "Start" to reorganise the program order or press the  "Back" button to go back to programme stop and not change the program order.

## Program information

Pressing the **i** "Information" button will call up further information about the program e.g.:



- Press the  "Back" button to return to the program sequence display.

Standard programs

Program	Fabric type	max. load capacity (kg, dry weight)	
<b>1 Cottons extra dry 0 %</b> (Normal+) 74°C	Multi-layered and bulky cotton and linen textiles which do not get dry in the Cottons dry program.		
<b>2 Cottons dry 0 %</b> (Normal) 74°C	Single and multi-layered cotton and linen textiles.		
<b>3 Cottons damp 20 %</b> (Machine iron) 74°C	Cotton and linen textiles which are to be machine ironed.	PT 8257	10-13 (22-29 lb)
		PT 8337	13-16 (29-35 lb)
		PT 8407	16-20 (35-44 lb)
<b>4 Cottons damp 25%</b> (Machine iron) 74°C		PT 8507	20-25 (44-55 lb)
		PT 8807	32-40 (70-88 lb)
<b>5 Cottons damp 40 %</b> (Machine iron) 74°C			
<b>6 Minimum iron dry 0 %</b> (Normal) 60°C	Synthetic, cotton and mixed fibre textiles which are to be machine ironed.	PT 8257	5.0 kg (11 lb)
		PT 8337	6.6 kg (14.5 lb)
<b>7 Minimum iron damp 10 %</b> (Machine iron) 60°C		PT 8407	8.0 kg (17.5 lb)
		PT 8507	10 kg (22 lb)
<b>8 Minimum iron damp 20 %</b> (Machine iron) 60°C		PT 8807	16 kg (35 lb)
<b>9 Woollens</b> (5 min.) 74°C	For fluffing up woollen garments. This program does not dry woollens.	PT 8257	4 (9 lb)
		PT 8337	5.2 (11.5 lb)
		PT 8407	6.4 (14 lb)
		PT 8507	8 (17.5 lb)
		PT 8807	12.8 (28 lb)
<b>10 Delicates 20 %</b> 40°C	Delicate cotton, synthetic and mixed fibre fabrics.	PT 8257	2 (4 lb)
		PT 8337	2.6 (6 lb)
		PT 8407	3.2 (7 lb)
		PT 8507	4 (9 lb)
		PT 8807	6.4 (14 lb)
<b>11 Timed drying cool air</b> (15 min.)	Items which need airing only.	PT 8257	10-13 (22-29 lb)
		PT 8337	13-16 (29-35 lb)
		PT 8407	16-20 (35-44 lb)
<b>12 Timed drying hot air</b> (20 min.) 74°C	For drying small loads of laundry or for finishing drying individual items.	PT 8507	20-25 (44-55 lb)
		PT 8807	32-40 (70-88 lb)


Program	Fabric type	max. load capacity (kg, dry weight)
<b>13 Proofing</b> (Normal) 60°C	For drying microfibre fabrics, skiwear, fine, closeweave cotton garments (poplin) or tablecloths which are suitable for drying in a tumble dryer and have been treated to provide a water and dirt resistant finish.	
This program includes a proofing fixing phase. Only use proofing agents containing fluorochemical compounds which are stated by the manufacturer as being "suitable for use on membrane textiles". <b>Fire hazard.</b> Do not dry items which have been treated with proofing agents containing paraffin.		PT 8257 5 - 6.6 (11-14.5 lb) PT 8337 6.6 - 9 (14.5-20 lb) PT 8407 8 - 11(17.5-25 lb) PT 8507 10 - 13 (22-29 lb) PT 8807 16 - 20 (35-44 lb)
<b>14 Outerwear</b> 60°C	Outerwear which is suitable for drying in a tumble dryer.	

Temperatures given refer to extracted air temperature.

**Duvets**

Programme	Fabric type	max. load capacity (kg, dry weight)
<b>Down duvets</b>	Feather and down filled duvets and pillows.	PT 8257 1 single duvet or 2 pillows (10/22 lb)
	74°C, Dries to 0 % residual moisture, Tumble phase, Cooling down phase	PT 8337 3 pillows or (13/29lb) 1 pillow + 1 single duvet
<b>Synthetic duvets</b>	Synthetic duvets and pillows.	PT 8407 4 pillows or (16/35lb) 2 pillows + 1 single duvet or 2 single duvets
	74°C, Dries to 0 % residual moisture, Tumble phase, Cooling down phase	PT 8507 5 pillows or (20/44lb) 3 pillows + 1 single duvet or 2 single duvets
<b>Natural fibre blankets</b>	Natural fibre quilts and blankets.	PT 8807 8 pillows or (32/70lb) 3 pillows + 3 single duvet or 4 single duvets
	74°C, 3 min. drying phase, Cooling down phase. Natural fibre blankets and quilts must not be dried completely in a tumble dryer, as this could cause the fibres to matt. These should only be partially dried in a tumble dryer.	The loads quoted are estimates and will vary depending on the size and volume of the duvets.

**Mops (Buildings maintenance)**

 Items that have not been washed thoroughly and may still contain residual wax or chemicals are a fire hazard.  
Wash heavily soiled items very thoroughly before drying them, ensuring that you use sufficient detergent and select a high temperature. If in doubt, wash the items several times.

Program	Fabric type	max. load capacity (kg, dry weight)
<b>Mops</b>	Cotton mops	PT 8257 10 (22 lb)
	74°C, Dries to 0 % residual moisture, Cooling down phase.	PT 8337 13 (29 lb)
<b>Microfibre mops</b>	Microfibre mops	PT 8407 16 (35 lb)
	60°C, Dries to 0 % residual moisture, Cooling down phase.	PT 8507 20 (44 lb)
		PT 8807 32 (70 lb)
<b>Cleaning cloths</b>	Microfibre cloths, dusters	PT 8257 5.6 (12.5 lb)
	60°C, Dries to 0 % residual moisture, Cooling down phase.	PT 8337 7 (15.5 lb)
		PT 8407 8.6 (19 lb)
		PT 8507 11 (24 lb)
		PT 8807 17.5 (39 lb)

Temperatures given refer to extracted air temperature.



## Program overview

### Fire service

Program	Fabric type	max. load capacity (kg, dry weight)
<b>Face masks</b>	Face masks with head straps	max. no. holders / masks
		PT 8257 4 8
50°C, 45 min. drying phase, Cooling down phase. Breathing masks may only be dried if special holders (available as an optional accessory) are fitted in the drum.		PT 8337 4 12
		PT 8407 4 16
		PT 8507 4 12
		PT 8807 4 16
<b>Protective clothing</b>	Protective clothing (e.g. as used by the fire brigade), overalls, jackets, trousers	PT 8257 approx. 1 - 2 suits (1 jacket + 2 trousers or 2 jackets)
		PT 8337 approx. 2 suits (or 3 jackets)
74°C, Dries to 0% residual moisture, Tumble phase, Cooling down phase For best results, dry items inside out.		PT 8407 approx. 3 suits
		PT 8507 approx. 3 - 4 suits
		PT 8807 approx. 6 suits
<b>Reproof protect. clothing</b>	For all textiles that have been treated with a proofing agent	PT 8257 5 - 6.6 kg (11-14.5lb)
		PT 8337 6.6 - 9 kg (14.5-20lb)
74°C, Dries to 0 % residual moisture, Tumble phase, Cooling down phase Only use proofing agents containing fluorochemical compounds which are stated by the manufacturer as being "suitable for use on membrane textiles". <b>Fire hazard.</b> Do not dry items which have been treated with proofing agents containing paraffin.		PT 8407 8 - 10 kg (17.5-22lb)
		PT 8507 10 - 13 kg (22-29lb)
		PT 8807 16 - 20 kg (35-44lb)

### Professional cleaners

Program	Fabric type	max. load capacity (kg, dry weight)
<b>WetCare sensitive</b>	For non washable garments	PT 8257 approx. 4 - 5 (9-11lb)
		PT 8337 approx. 5 - 6.6 (11-14.5lb)
50°C, 3 min. drying phase, Cooling down phase.		PT 8407 approx. 6.6 - 8 (14.5-17.5lb)
		PT 8507 approx. 8 - 10 (17.5-22lb)
		PT 8807 approx. 16 - 21 (35-46lb)
<b>WetCare silks</b>	For non washable garments which crease easily	PT 8257 approx. 4 - 5 (9-11lb)
		PT 8337 approx. 5 - 6.6 (11-14.5lb)
60°C, Dries to 15 % residual moisture, Cooling down phase.		PT 8407 approx. 6.6 - 8 (14.5-17.5lb)
		PT 8507 approx. 8 - 10 (17.5-22lb)
		PT 8807 approx. 13 - 16 (29-35lb)
<b>WetCare intensive</b>	Washable garments	PT 8257 approx. 5 - 6.6 (11-14.5lb)
		PT 8337 approx. 6.6 - 9 (14.5-20lb)
74°C, Dries to 0 % residual moisture, Cooling down phase.		PT 8407 approx. 8 - 11 (17.5-24lb)
		PT 8507 approx. 10 - 13 (22-29lb)
		PT 8807 approx. 16 - 21 (35-46lb)

Temperatures given refer to extracted air temperature.

## Program overview

### Equestrian


⚠ Metal buckles and fasteners etc. should be removed to protect the items being dried and the drum. If it is not possible to remove them, then cover them with protective bags.

Program	Fabric type	max. load capacity (kg, dry weight)	
<b>Horse blankets</b>	Horse blankets, saddle-cloths, gaiters, boots, bandages, textile halters	PT 8257	10 (22 lb)
		PT 8337	13 (29 lb)
60°C, Dries to 0 % residual moisture, Tumble phase, Cooling down phase		PT 8407	16 (35 lb)
<b>Woollen horse blankets</b>	Horse blankets with high percentage of wool	PT 8507	20 (44 lb)
		PT 8807	32 (70 lb)
74°C, 5 min. drying phase, Cooling down phase.			

Temperatures given refer to extracted air temperature.

Dryer	Load (individual items)		
	Saddle cloths/ Numnahs	Summer blankets	Winter blankets
PT 8257	7	2	1
PT 8337	9	2 - 3	1 - 2
PT 8407	11	2 - 3	1 - 2
PT 8507	12	3	2
PT 8807	18	4 - 5	3

## Operating data

By pressing the  "Operating data" button, the module can be used to read or delete operating data either before the start of a program, or after it has finished.

1	Cottons extra dry	0%
2	Cottons dry	0%
3	Cottons damp	20%

After pressing the  button the following will appear in the display:

Operating data module	
Total data	
Programme data	

Selection choice:


- Total data

In this option all program data is collated and summarized.


- Program data

Program data contains all the data called up during a program.

- Delete data
- Module (delete total data including program data)
- Total data (only delete total data)
- Program data (only delete program data)

Pressing the button again deselects the  "Operating data" option.

If there is no more memory available in the operating data module a message will appear after pressing the "Start" button to say that the operating data will be overwritten.

If you press the  "Back" button or do not press the "Start" button within 30 seconds, the display will revert to the way it was before starting the program.

### Total data

Operating data module	
Total data	
Programme data	

After selecting Total data, the following (example) will appear in the display:

Operating data module ▶ Total data	
Total time power on: 200,987 h	
Operating hours: 123456 h	

Other options:

Total time power on: 200,987 h  
 Operating hours: 123,456 h  
 Duration heating active: 123,456 h  
 Duration drive motor active: 93,456 h  
 Programme starts: 23,456  
 Programme stops: 567  
 Programme cancellations: 67  
 Amount of laundry: 1,234,567 kg  
 Energy: 12,345,678 kWh

### Program data

Operating data module	
Programme data	
Delete data	

After selecting Programme data the following (example) will appear in the display:

Operating data module ▶ Programme data		
1	Cottons extra dry	0 %
2	Cottons dry	0 %

Select the program you want from the list and press the rotary dial to call up a list of all program starts including date and start time for that program (Cottons extra dry in the example).

Programme data ▶ 1 Cottons extra dry	
Date: 21.05.2009 Start time: 11:30	
Date: 21.05.2009 Start time: 12:30	

Select the required program start from the list for program 1 Cottons extra dry and confirm your choice by pressing the rotary dial.

Programme data ▶ 1 Cottons extra dry	
Date: 21.05.2009 Start time: 11:30	
Name: Smith	

## Optional modules

Other options:

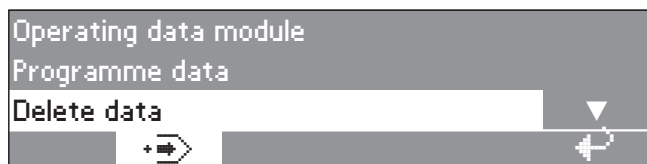
Town: Abingdon  
Serial number: 12345678  
Machine type: PT 8337  
Load size: 13 kg  
+ Button: Activated  
Programme start: 11:30  
Programme finished: 12:05  
Total operating time: 0 h 35 min  
Electrical energy: 12.5 kWh  
Gas energy: 0 kWh  
Steam energy: 0 kWh  
Programme change: 2 (after making your selection and pressing the rotary dial only the last 3 stops and starts will be displayed.)

Programme fault: None (only the last 3 faults are saved.)  
Area 1: Drying  
Block1: Pre-drying  
Process type: Residual moisture  
Value: 15 %  
Actual residual moisture: 15 %  
Duration: 6 min  
Max. exhaust temperature: 72 °C  
Max. air intake temperature: 122 °C

Area1: Drying  
Block2: Drying  
Process type: Residual moisture  
Value: 0 %  
Actual residual moisture: 0 %  
Duration: 6 min  
Max. exhaust temperature: 78 °C  
Max. air intake temperature: 138 °C

Area2: Cooling down  
Block: Cooling down  
Process type: Cooling down  
Value: 50 %  
Actual temperature: 50 °C  
Duration: 3 min  
Max. exhaust temperature: 52 °C  
Max. air intake temperature: 95 °C  
Residual moisture: -3 %

### Delete data



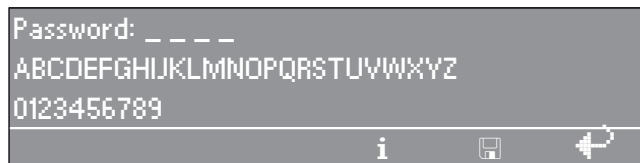
After selecting Delete data the following message will appear in the display:



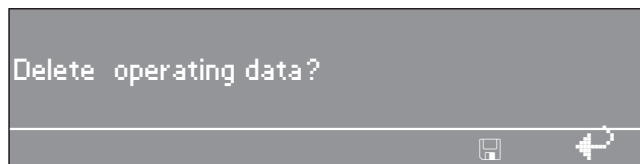
The module menu option can be used to delete the total data and program data from the operating data memory.

The total data option can only be used to delete the total data from the operating data. The program data option can only be used to delete program data from the operating data.

After making your selection and pressing the rotary dial you will be prompted to enter your password.



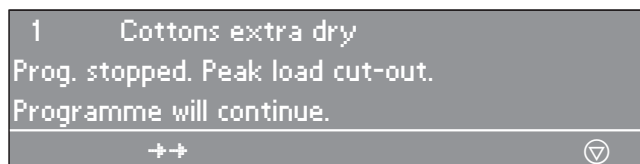
After keying in your password or inserting your supervisor level key card in the reader the following security prompt will appear in the display:



After pressing the  button the data will be deleted!

### Peak load cut-out


If the peak-load cut out function is activated the heating will switch itself off and any program running will be stopped. The following message will appear in the display:




Once the peak load has finished, the program will continue automatically as before.

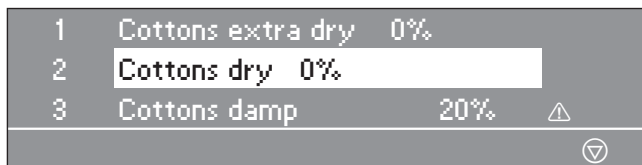
If the door is opened during the peak load cut-out the program will have to be started again.

## Error messages

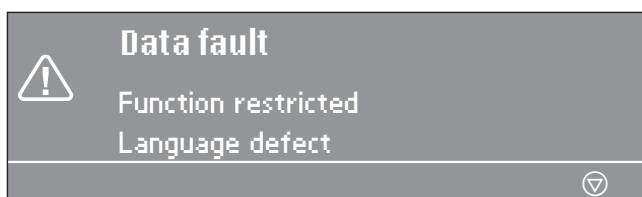
 Repairs to electrical or steam operated machines may only be carried out by a suitably qualified person in accordance with national and local safety regulations. Repairs and other work by unqualified persons could be dangerous. The manufacturer cannot be held liable for unauthorised work.

Whenever the machine is switched on or the program list is called up the controls carry out an analysis of the system. All modules and sensors, data from the operating system, drying programs and languages are tested.

If a fault is detected in a program or a language the following symbol will appear in the display . The program or language affected cannot be selected.



If a fault is found in a language that has already been selected the following message will appear:



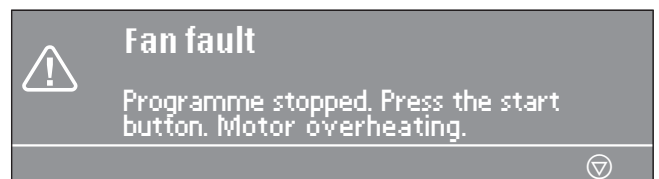
A message will flash in the display if there is a problem either before starting a program or once it has started:

If any of the following messages still appear after five re-starts of the machine the following general fault message will appear:



The display remains dark.  
There is no power to the machine.

- Check the mains switch and the on-site fuses.



- Allow the motor to cool down.

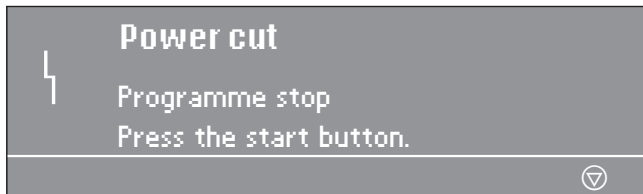


- Call the Service Department.

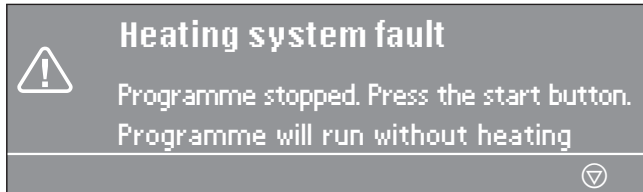



- Allow the motor to cool down.

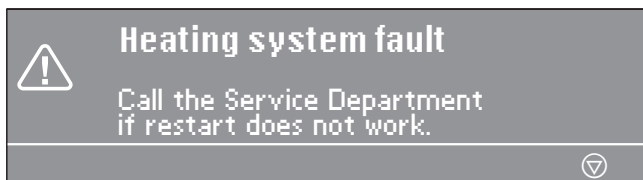
## Problem solving guide



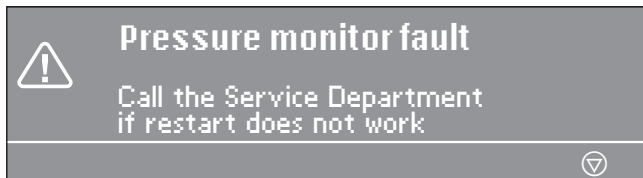
- The program can be continued by pressing the "Start" button.



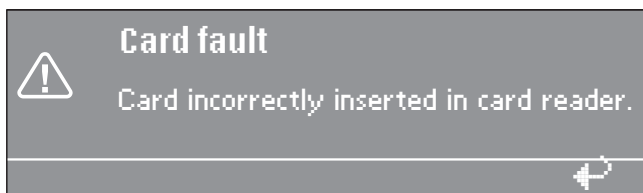
- To continue the program without heating press the  "Start" button.  
Call the Service Department.



- Call the Service Department.



- If the program still will not start please call the Service Department.



- Insert the card the right way round in the card reader.

## After sales service

In the event of any faults please contact the Service Department.

When contacting the Service Department, please quote the Model, Serial number (SN) and Material number (M.Nr) of your machine. These are shown on the data plate.

<b>Model</b>	
<b>SN:</b>	/ 0 0 0 0 0 0 0 0 0 0
<b>Art.-Nr.</b>	<b>Mat.-Nr.</b>
<b>IBN</b>	

This is visible above the door aperture or at the back of the machine.

Please let the Service Department know any error message that has appeared in the display.

Should you require spare parts ensure that you only use **genuine original Miele Spare Parts** (and remember to let the Spare Parts

Department know the model, serial number and material number of your machine).

## Fluff filter

⚠ Do not use the machine without the fluff filter in place. **Fire risk.**

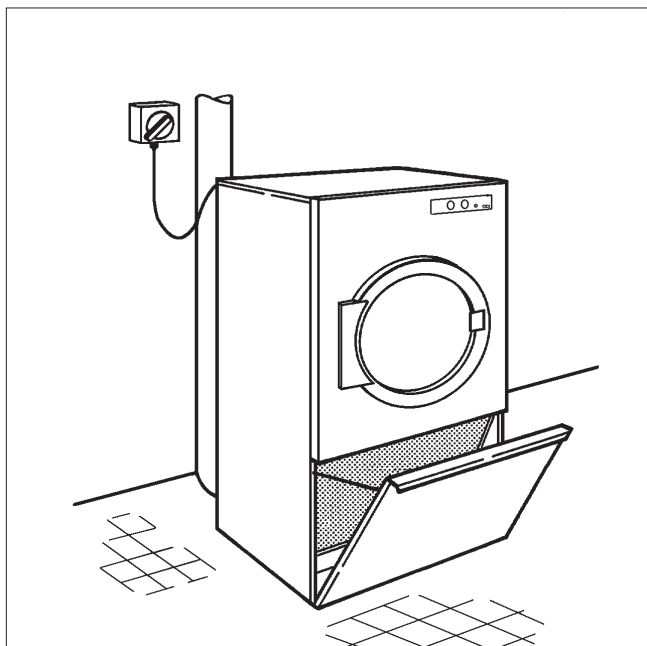
A damaged fluff filter must be replaced before the machine is used again.

Otherwise fluff and lint will cause a blockage in the airways, the heating and the vent ducting, and the correct functioning of the machine cannot be assured.

The fluff filter collects any fluff and lint from the laundry. It should be cleaned at least once a day and whenever a reminder to clean it appears in the display.

If there is a large amount of fluff and lint, the filter will need frequent cleaning.

The fluff filter must not be removed. When cleaning it, do so with care and make sure it does not get damaged.



- Open the fluff compartment flap.
- Wipe the fluff off the filter by hand. Never use pointed or sharp edged objects to do this.

## Tumble dryer

Before any cleaning or maintenance switch the dryer off at the on-site mains switch.

With steam heated dryers the steam supply cut-off valve must be closed.

⚠ Do not use a pressure washer or hose to clean the machine.

- The housing, control panel and any plastic components should be cleaned using **a suitable mild** cleaning agent, applied with a soft damp cloth. Rub dry with a soft cloth after cleaning.

- If starched laundry has been dried, the drum should be wiped out with a damp cloth afterwards.

**Do not** clean the machine with abrasive cleaning agents.

After cleaning, check the seals for any damage and make sure the door and fluff compartment flap shut correctly.

The **ventilation inlet** to the dryer is located at the back of the machine. It must not be blocked or hindered in any way. Do not cover the machine lid with cloths or similar items.

The area surrounding the machine, in particular around the air inlet, must be kept free of dust and fluff at all times. If taken into the dryer, they can cause faults with the machine.

The following should be checked and cleaned **once a year** by a Miele service technician:

- The heaters and heater shaft on electric-heated dryers.
- The entire interior of the dryer
- The fins on the exhaust fan

⚠ To ensure the correct performance of the machine and to prevent the risk of faults and fire, it is important to check the machine and carry out maintenance on a regular basis.

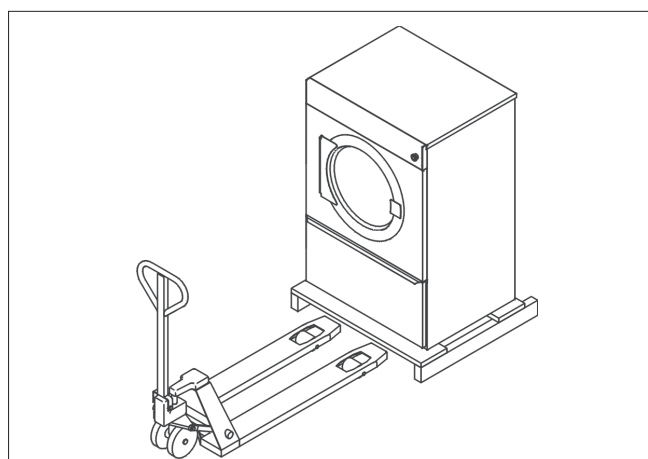
## Installation and connection


Read the instructions supplied before installing and using it for the first time.

This machine must be installed and commissioned in strict accordance with local and national safety and building regulations by a suitably qualified engineer.

The tumble dryer must only be operated in a room with sufficient ventilation.

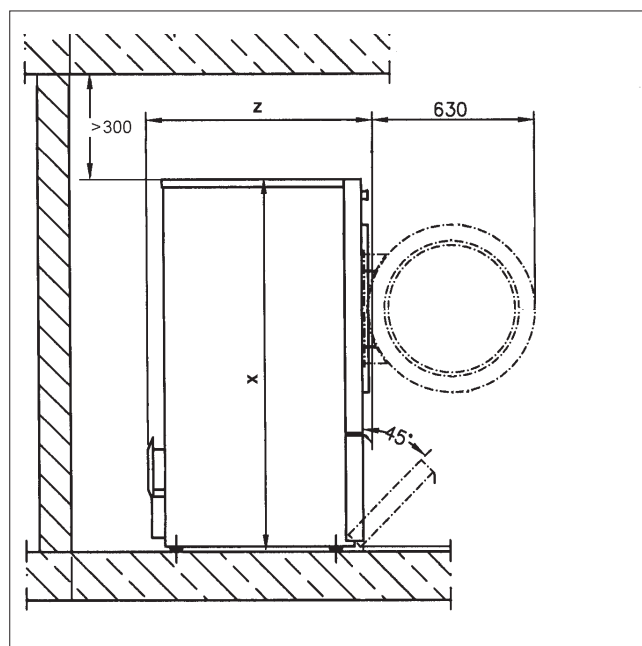
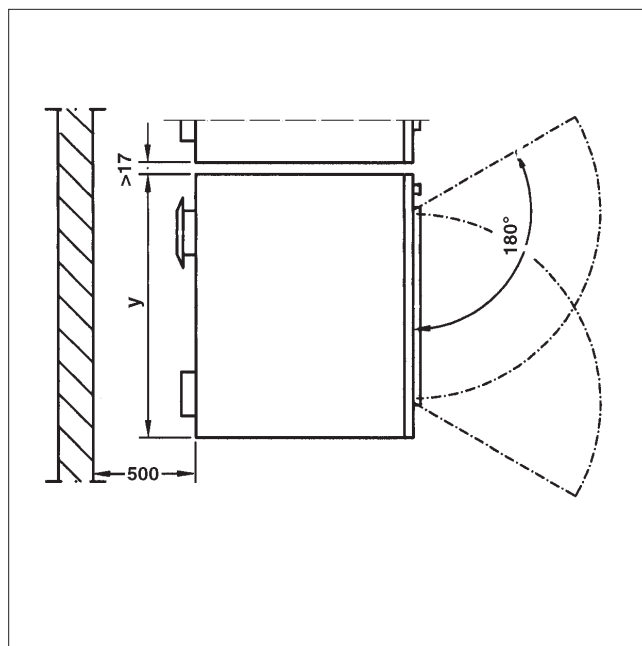
Do not install the tumble dryer in a room where there is a risk of frost occurring.



 The machine must not be transported without its transport pallet in position.

Once the dryer reaches its final location, use a suitable lifting mechanism to lift the dryer off its transport pallet.

To ensure suitable access for future maintenance and service work, please ensure that the minimum distances between the dryer and the wall specified on the installation diagram are strictly observed.



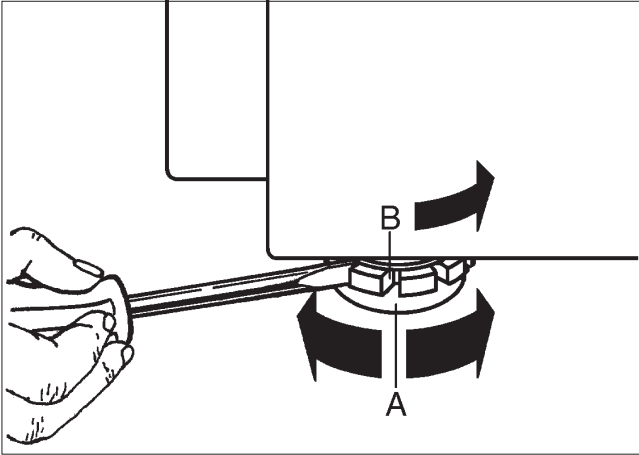
	PT 825X / 833X / 840X	PT 850X / 880X
<b>x</b>	1400 mm	1640 mm
<b>y</b>	906 mm	1206 mm
<b>z</b>	852 / 1035 / 1164 mm	1018 / 1384 mm



## Levelling the machine

The dryer does not require a base. However, make sure that any uneven areas of the floor are made level.

The dryer must be perfectly level to ensure that it functions correctly.




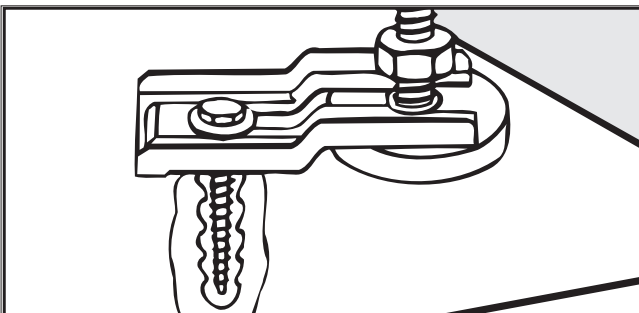
The screw feet **A** can be adjusted to align it.

After aligning correctly you will need to use a screwdriver to secure discs **B** to the floor plate.

## Installation on a raised plinth

The dryer can be installed on a raised concrete plinth.

 If the machine is installed on an on-site base, it **must** be secured using the fixing brackets supplied. Otherwise there is the danger of the machine moving and falling off the base.



- Secure the front feet of the dryer with the clamps supplied.

## Reducing the noise level

The dryer is fitted with an exhaust fan which can be heard during operation.

If this noise disturbs you it is possible to fit a silencer (available from Miele as an optional accessory) into the dryer's exhaust duct (see "Installation instructions").

## Coin mechanism

The dryer can be fitted with a coin mechanism.\* A suitable adapter\* is required for this. The machine has to be reprogrammed by a Miele service technician.

Empty the coin box every day. This prevents too many coins or tokens collecting in the coin box, which could lead to the machine breaking down.

\* available from the Miele Spare Parts Department.

## Communication module XKM RS232

The dryer can be fitted with a communication module which enables it to be linked to a PC via a serial interface.

The slot for the communication module is located on the rear of the machine.

An editor program is available from Miele.

## Installation and connection

---

### Electrical connection

The electrical connection must only be carried out by a suitably qualified electrician in accordance with local and national safety regulations.

The machine must only be connected to the voltage and frequency shown on the data plate.

If the appliance is hard wired, a multiple-pole separator must be installed. Separators with a contact gap of more than 1/8" (3 mm) are valid as separators. These include circuit breakers, fuses and relays.

The plug connection or the separator must be accessible at all times.

Connection should be made in accordance with the wiring diagram and the installation diagram to a suitable isolator, with an on-off switch which is easily accessible for servicing. The wiring and installation diagrams are important for the correct electrical functioning of the machine.

When the dryer has been connected, check the rotation direction of the fan. It must turn clockwise. If it turns counter clockwise, two phases must be exchanged at the terminal box.

If the machine is disconnected from the electricity supply ensure adequate measures are taken to ensure that it cannot be reconnected to the electricity supply until all work has been carried out.

### Potential equalization

A potential equalization must be provided if the leak current exceeds 10 mA.

See the enclosed wiring and installation diagrams.

### Air inlet and exhaust connection

This tumble dryer must only be used when it is connected to a suitable ducting system. The installation site must be adequately ventilated.


See the installation instructions supplied.

### Steam connection

Steam connection must only be carried out by an authorised installer.






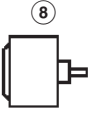



See the installation instructions supplied.

A steam valve and condensate trap are available to order from the Miele Spare Parts Department.

 After setting up and connecting the dryer, ensure that all outer casing parts are correctly fitted back into position.

	PT 825X EL	PT 833X EL/D	PT 840X EL/D	PT 850X EL/D	PT 880X EL/D
Height in mm	1400	1400	1400	1640	1640
Width in mm	906	906	906	1206	1206
Depth in mm	852	1035	1164	1018	1384
Depth with door open in mm	1456	1639	1768	1622	1988
Weight in kg	148/149.5	164.5/167.5/201	190.5/188.5/215.5	238/238.5/265	286/280/318
Drum volume in l	250	325	400	500	800
Max. capacity in kg (dry laundry)	13 (29lb)	16 (35lb)	20 (44lb)	25 (55lb)	40 (88lb)
Voltage	See data plate				
Connected load	See data plate				
Fuse rating	See data plate				
Test certificates awarded	See data plate				
Max. load bearing in operation in N	1636/1651	1857/1886/2250	2136/2143/2408	2703/2708/2968	3394/3335/3708
Product safety standard	IEC 335-1, IEC 335-2-11				
Emission sound pressure level in dB (A), EN ISO 11204	< 70				
Sound power level in dB (A), EN ISO 9614-2	< 80				

## Explanation of symbols on the data plate

Model	①				
SN:	②	 ⑮	⑯		⑰ IBN
Art.-Nr.	③				
Mat.-Nr.	④	⑱	⑲	Total	Total
○	⑤		○		
○			○		
○			○		
○			○		
	⑥	 ⑳			
 (M)	⑦				
		 ㉑			
 ⑧	 ⑨	$Q_n$ (Hi) ㉒			
	 ⑩				
	Vol./G ⑪				
	E kin ⑫				
	0 → ⑬ /min				
⑭ → ⑭ /min				IP X4 ㉓	
		CE			

Model	
SN:	/ 00000000
Art.-Nr.	Mat.-Nr.
IBN	

- 1 Machine type
- 2 Serial number
- 3 Article number
- 4 Material number
- 5 Voltage/Frequency
- 6 Control fuse
- 7 Drive motor
- 8 Drum data
- 9 Drum diameter/Drum depth
- 10 Spin speed
- 11 Drum volume/Laundry dry weight
- 12 Kinetic energy
- 13 Run-up time
- 14 Braking time
- 15 Heating
- 16 Identification/Year of manufacture
- 17 Commissioning date
- 18 Electric heating
- 19 Fuse rating (on-site)
- 20 Indirect steam heating
- 21 Direct steam heating
- 22 Gas heating
- 23 Area for test certification labels

**1. Sort the laundry**

Not all textiles are suitable for machine drying. Please read the instructions given on the garment care label.

- ☺ = Dry at normal temperature
- ☹ = Dry at low temperature
- ☒ = Do not tumble dry
- Sort the laundry according to fibre type and weave

**2. Switch the machine on and load the drum**

- Press the "On" button **I** in
- Open the drum door and load the laundry

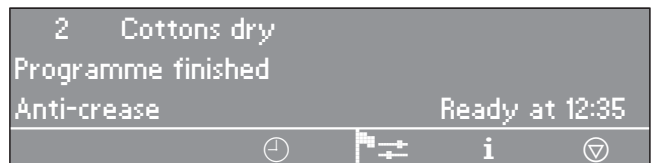
**3. Select a program using the rotary selector**

<b>Standard programs:</b>	1 Cottons extra dry	0 %
	2 Cottons dry	0 %
	3 Cottons damp	20 %
	4 Cottons damp	25 %
	5 Cottons damp	40 %
	6 Minimum iron dry	0 %
	7 Minimum iron damp	10 %
	8 Minimum iron damp	20 %
	9 Woollens	5 min.
	10 Delicates	20%
	11 Timed drying cold air	15 min.
	12 Timed drying hot air	20 min.
	13 Proofing	
	14 Outerwear	

**4. Press the start button and the program selected will commence**

**5. A buzzer will sound at the end of the program**

- Open the drum door and unload the laundry



**6. If no more laundry is to be processed:**

- Close the drum door
- Then switch the dryer off using the **0** "Off" switch
- Check the fluff / lint filter and clean if necessary.





**Canada**  
**Importer**  
**Miele Limited**

**Professional Division**  
161 Four Valley Drive  
Vaughan, ON L4K 4V8  
Phone: 1-888-325-3957  
Fax: 1-800-803-3366  
[www.mieleprofessional.ca](http://www.mieleprofessional.ca)  
[professional@miele.ca](mailto:professional@miele.ca)

**Miele Professional Technical Service**  
Phone: 1-888-325-3957  
Fax: 1-800-803-3366  
[serviceprofessional@miele.ca](mailto:serviceprofessional@miele.ca)

**Germany**  
**Manufacturer**  
Miele & Cie. KG  
Carl-Miele-Straße 29  
33332 Gütersloh



Instructions d'utilisation et d'installation

# Sécheuse




PT 8257  
PT 8337  
PT 8407  
PT 8507  
PT 8807

Afin de prévenir les accidents  
et d'éviter d'endommager l'appareil,  
veuillez lire attentivement les instructions  
**avant** de l'installer et de l'utiliser.

fr - CA

M.-Nr. 07 713 522

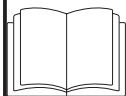


<b>INSTRUCTIONS IMPORTANTES SUR LA SÉCURITÉ</b> .....	4
<b>Aidez-nous à protéger l'environnement</b> .....	7
<b>Description de l'appareil</b> .....	8
Panneau de commande .....	9
<b>Séchage</b> .....	11
Avant la première utilisation .....	11
Préparation des articles .....	11
1. Mettre la sècheuse sous tension .....	12
2. Mettre les articles dans le tambour .....	12
3. Sélectionner un programme .....	13
4. Sélectionnez l'option +  "Cycle supplémentaire" ( facultatif) .....	13
5. Régler le programme (facultatif) .....	13
6. Utiliser l'option Début différé (facultatif) .....	14
7. Lancer un programme .....	15
8. Fin d'un programme .....	15
<b>Fonctionnement avec carte à puce/jetons</b> .....	16
Appareil doté d'un dispositif à carte/jetons C 4060/C 4065/C 4070 .....	16
<b>Options supplémentaires</b> .....	17
Ajouter ou retirer des articles pendant un programme .....	17
Sauter ou exécuter de nouveau certaines étapes du programme .....	17
Arrêt d'un programme .....	18
Annulation d'un programme .....	18
<b>i</b> Information .....	18
<b>Guide des programmes</b> .....	19
Programmes de base .....	19
Couettes .....	21
Fauberts .....	21
Pompiers .....	22
Pressings .....	22
<b>Questions fréquemment posées</b> .....	24
Messages d'erreur .....	24
Service après-vente .....	25
<b>Nettoyage et entretien</b> .....	26
Nettoyage du filtre à charpie .....	26
Sècheuse .....	26
<b>INSTRUCTIONS IMPORTANTES SUR LA SÉCURITÉ</b> .....	27
Mise à niveau de la sècheuse .....	29
Installation sur une base surélevée .....	29
Appareil payant .....	29
Module de communication XKM RS232 .....	29
Branchement électrique .....	30
Entrée d'air/Ventilation .....	30
Raccordement vapeur .....	30
<b>Données techniques</b> .....	31
<b>Guide des symboles de la plaque signalétique</b> .....	32
<b>Guide de consultation rapide</b> .....	33

## Explication des instructions et mises en garde figurant sur la sécheuse.



Lisez les instructions d'utilisation



Lisez toutes les instructions, p. ex. les instructions d'installation



Attention : surfaces chaudes



Attention : tension supérieure à 1 000 V



Mise à la terre

## **VEUILLEZ LIRE ET CONSERVER CES INSTRUCTIONS**

**Conservez cette brochure en lieu sûr afin de pouvoir la consulter au besoin et remettez-la au prochain utilisateur.**

**Afin d'éviter de vous blesser ou d'endommager la sécheuse, veuillez lire toutes les instructions avant de l'installer ou de l'utiliser.**

**Les travaux d'installation, de réparation et d'entretien doivent être effectués par un technicien autorisé de Miele. Il peut être dangereux de confier ces travaux à des personnes non qualifiées.**

L'utilisation inappropriée de cet appareil peut causer des blessures et des dommages matériels.

Tous les membres de votre personnel qui sont susceptibles d'utiliser cet appareil doivent recevoir une formation complète sur tous les aspects relatifs à son utilisation et à la sécurité.

## Utilisation appropriée de la sécheuse

► L'appareil est conçu uniquement pour sécher les tissus qui ont été lavés avec de l'eau. Vérifiez les étiquettes d'entretien des tissus afin de vous assurer que les articles peuvent être séchés à la machine.

► **Pour prévenir les incendies, ne séchez pas les articles suivant dans la machine** (sauf dans le cas de tissus visés par les programmes spéciaux) :

- Les articles contenant du caoutchouc mousse, du caoutchouc ou des matières caoutchouteuses.
- Les articles qui ont été traités au moyen d'agents nettoyeurs inflammables.
- Les articles qui ont été souillés par du fixatif, du dissolvant de vernis à ongles, etc.
- Les articles susceptibles d'être graisseux ou huileux, ou de contenir d'autres résidus, p. ex. les articles utilisés en cuisine ou en salon de coiffure.
- Les balais à franges, les chiffons pour plancher, etc. lorsqu'ils contiennent des substances telles que de la cire ou des agents nettoyeurs chimiques.
- Les articles matelassés ou rembourrés, comme les coussins ou les blousons, qui sont endommagés.
- Les articles qui n'ont pas été suffisamment nettoyés et qui présentent des tâches de graisse ou d'huile. Nettoyez les articles particulièrement sales (p. ex. les vêtements de travail) avec un détergent spécial. Adressez-vous à un détaillant spécialisé en produits nettoyeurs pour obtenir de plus amples renseignements à ce sujet.


En cas de temps de séchage trop long, certains tissus délicats peuvent parfois **s'enflammer spontanément**. Lorsque le programme de séchage est terminé, ou si une panne de courant se produit, sortez immédiatement les articles de la sécheuse. Gardez un extincteur à proximité de la sécheuse.

► Les articles ne doivent pas être retirés de la sécheuse avant la fin de la **phase de refroidissement**. Des articles qui n'ont pas refroidi avant d'être empilés ou emballés risquent de s'enflammer spontanément.

► Veillez à vider toutes les poches des articles afin d'éviter que des objets inflammables tels que des briquets, des allumettes, des bougies ou des produits cosmétiques ne se retrouvent dans la sécheuse.

► Si la sécheuse est utilisée dans un endroit accessible au public, le propriétaire de l'appareil est tenu de s'assurer que l'utilisation de l'appareil est sécuritaire.

## Sécurité

 L'appareil est conçu uniquement pour sécher les tissus qui ont été lavés avec de l'eau.

- ▶ N'utilisez la sècheuse que si celle-ci est raccordée à un conduit d'évacuation de l'air, et si la pièce dans laquelle elle est installée est suffisamment ventilée.
- ▶ Les personnes qui ne possèdent pas les capacités physiques, l'expérience ou les connaissances requises pour utiliser cet appareil doivent être supervisées ou formées par une personne responsable.
- ▶ Ne laissez pas les enfants jouer près de la sècheuse ni monter dedans ou dessus. Ne laissez pas les enfants jouer avec les commandes de l'appareil ou utiliser celui-ci.
- ▶ Refermez toujours la porte de la sècheuse après y avoir placé ou en avoir sorti des articles, et ce, afin d'éviter :
  - que des enfants puissent grimper dans la sècheuse ou y cacher de petits objets;
  - que des petits animaux puissent grimper dans la sècheuse.
- ▶ N'utilisez pas l'appareil si le panneau de commande, les fils électriques ou les câbles sont endommagés.
- ▶ Veillez à ne pas endommager, retirer ou passer outre les composants de sécurité ou les éléments de contrôle de la sècheuse.
- ▶ N'utilisez pas la sècheuse lorsque des parties de la structure de l'appareil ont été retirées ou lorsque les pièces mobiles ou électriques sont dénudées et accessibles.
- ▶ Les températures sont très élevées au niveau du hublot et du cadre de la porte du tambour. Les articles sont très chauds lorsqu'ils sont retirés trop tôt de la sècheuse. Risque de brûlure!
- ▶ Ne touchez pas les éléments produisant de la vapeur (suivant les modèles d'appareil). Vous pourriez vous ébouillanter!
- ▶ Vérifiez toujours que le tambour est immobile avant d'en sortir les articles. Ne mettez jamais les mains dans un tambour en mouvement.
- ▶ Prenez garde aux charnières de la porte du tambour et au clapet du filtre à charpie; vous pourriez vous pincer ou vous couper. Utilisez les poignées.
- ▶ L'espace nécessaire à l'ouverture de la porte du tambour ne doit pas être encombré par des portes ou par d'autres éléments.
- ▶ N'utilisez pas la sècheuse si le filtre à charpie intégré n'est pas en place. **Risque d'incendie!** Si le filtre à charpie est endommagé, il doit être remplacé immédiatement.

▶ N'utilisez et n'entreposez jamais d'essence, de substances à base de pétrole, ou d'autres substances facilement inflammables à proximité de l'appareil. **Risques d'incendie et d'explosion!**

- ▶ Une accumulation de charpie pourrait obstruer le système de circulation de l'air et les systèmes de chauffage et de ventilation, et nuire ainsi à l'efficacité de la sècheuse. Veillez à nettoyer le filtre à charpie avant ou après chaque séchage.
- ▶ N'utilisez pas de laveuse à pression pour nettoyer la sècheuse.
- ▶ Avant de faire réparer l'appareil ou de le mettre au rebut, enlevez la porte du compartiment de séchage.
- ▶ Les agents nettoyants ou désinfectants contiennent souvent des composés chlorés. Si ces produits sèchent sur des éléments en acier inoxydable, ceux-ci risquent de rouiller. Afin de protéger la sècheuse, utilisez uniquement des agents nettoyants et désinfectants sans chlore pour le lavage ménager et la désinfection, ainsi que pour le nettoyage des surfaces en acier inoxydable. Au moindre doute concernant un agent nettoyant, communiquez avec le fabricant. Si un produit contenant du chlore est renversé, rincez avec de l'eau puis essuyez avec un chiffon doux.

## Sécurité électrique

► Assurez-vous que l'appareil a été correctement installé et mis à la terre par un technicien autorisé. Pour des raisons de sécurité électrique, cet appareil doit être mis à la terre  $\perp$ . Cette exigence élémentaire en matière de sécurité doit impérativement être vérifiée par un électricien qualifié. En cas de doute, consultez un électricien qualifié.

► Avant d'installer ou de réparer l'appareil, coupez l'alimentation électrique.

► Les réparations d'appareils électriques et au gaz doivent être effectuées uniquement par un technicien autorisé Miele, conformément aux normes de sécurité nationales et locales. Les réparations effectuées par des personnes non qualifiées pourraient causer des blessures ou endommager l'appareil.

► Utilisez uniquement des pièces d'origine de Miele. L'utilisation de pièces d'un autre fabricant pourrait nuire au rendement de l'appareil et entraîner l'annulation des garanties.

► Ne réparez ou ne remplacez aucune pièce de la sécheuse et n'entreprenez aucune réparation à moins qu'il n'en soit indiqué autrement dans les présentes instructions. Communiquez avec le service technique de Miele pour obtenir de l'aide.

► N'utilisez pas la sécheuse dans la même pièce que des machines de nettoyage fonctionnant avec des solvants qui contiennent des CFC. Les vapeurs dégagées par la combustion de ces solvants se transforment en acide chlorhydrique, une substance qui cause des dommages aux articles et à l'appareil. Si des machines utilisant ce type de solvants sont utilisées dans une autre pièce, assurez-vous qu'il n'y a aucun échange d'air avec cette pièce. Veillez à ce que la sécheuse soit alimentée qu'avec de l'air propre et frais.

► L'entrée d'air est située à l'arrière de la sécheuse. Veillez à ne jamais obstruer cette ouverture. Par conséquent, ne recouvrez pas le dessus de la sécheuse avec des couvertures ou des draps.

► L'entretien de la sécheuse doit être assuré en temps opportun par un professionnel, afin de prévenir les baisses de rendement, les dysfonctionnements et les risques d'incendie.

## CONSERVEZ CES INSTRUCTIONS

### Élimination des produits d'emballage

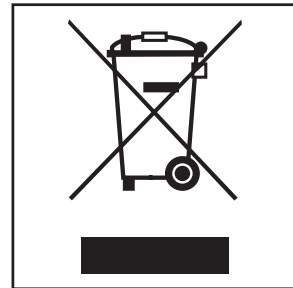
La boîte de carton et les produits d'emballage protègent l'appareil durant le transport. Ces matériaux ont été conçus en vue d'une élimination écologique et ils peuvent être recyclés.

Pour prévenir tout risque de suffocation chez les enfants, débarrassez-vous des emballages, sacs et autres produits en plastique en toute sécurité et gardez-les hors de la portée des enfants.

Veillez recycler ces articles.

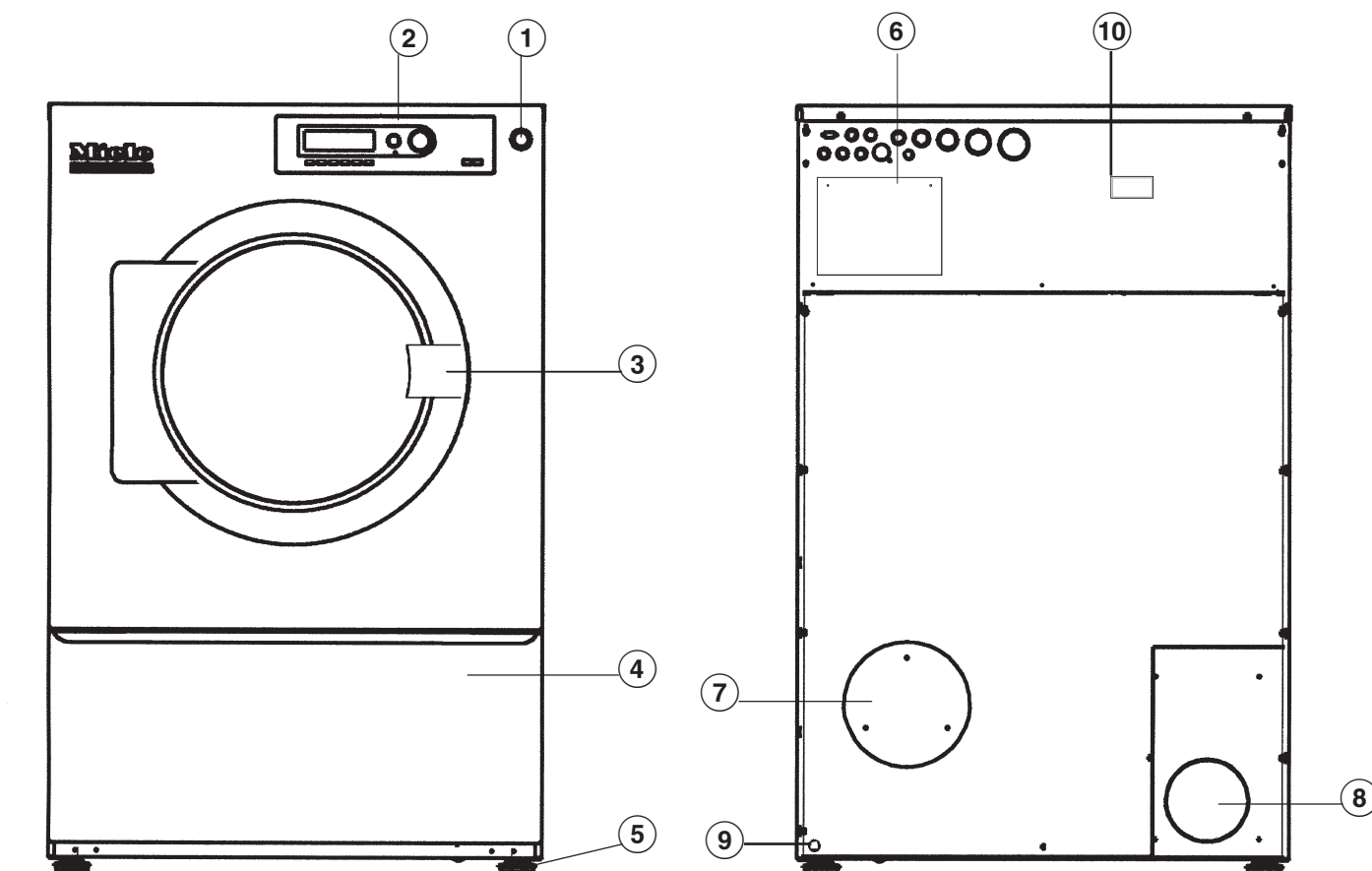
### Mise au rebut d'un ancien appareil

Les anciens appareils peuvent contenir des matériaux recyclables. Veuillez communiquer avec le centre de recyclage de votre localité pour savoir comment les recycler.



Assurez-vous que votre appareil ne présente aucun danger pour les enfants jusqu'à ce qu'il soit mis au rebut. Avant de mettre au rebut votre ancien appareil, débranchez-le, coupez le cordon d'alimentation électrique et retirez la porte par mesure de sécurité.

## Description de l'appareil



### ① Touche d'arrêt d'urgence

N'utilisez cette touche qu'en cas d'urgence. Une fois le problème résolu, débloquez l'interrupteur en tournant le bouton vers la droite.

N'utilisez jamais la touche d'arrêt d'urgence pour éteindre la sécheuse lorsque celle-ci fonctionne normalement.

### ② Panneau de commande

### ③ Porte du tambour

Tirez sur la poignée pour ouvrir la porte du tambour.

### ④ Clapet du filtre à charpie

Tirez sur la poignée pour ouvrir le clapet du filtre à charpie.

### ⑤ Quatre pieds à hauteur réglable

### ⑥ Branchement électrique

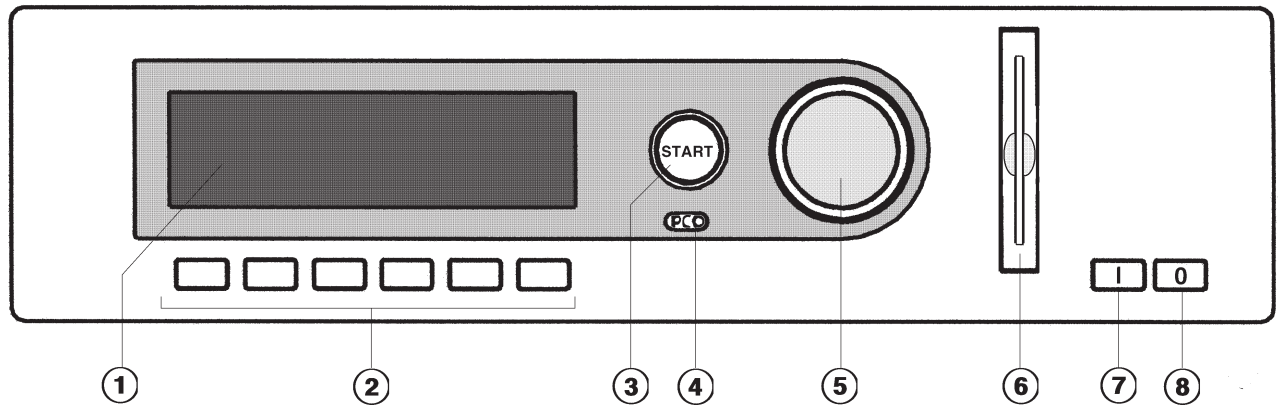
### ⑦ Entrée d'air

### ⑧ Collier d'évacuation de l'air

### ⑨ Régulateur de tension automatique

### ⑩ Port du module de communication





## Panneau de commande

### ① Affichage\*

1	Blanc/Couleurs intensif	0 %
2	Blanc/Couleurs normal +	0 %
3	Blanc/Couleurs normal	20 %

Lorsque l'appareil est mis sous tension, l'écran d'accueil apparaît brièvement, puis la liste des programmes s'affiche. Le dernier programme utilisé est mis en évidence.

### ② Touches de fonctions

Les fonctions des touches diffèrent selon l'état de l'appareil. Les fonctions sont affichées à l'écran, au-dessus des touches.

### ③ Touche de mise en marche

Le cercle lumineux clignote pour vous indiquer que vous pouvez lancer un programme sélectionné ou choisir un programme.

Une fois qu'un programme est lancé, vous pouvez appuyer sur la touche de mise en marche pour revenir à l'écran d'origine.

### ④ Interface optique PC

Permet de transférer des données entre les commandes de l'appareil et un ordinateur personnel.

### ⑤ Bouton rotatif

**Tournez** le bouton rotatif pour sélectionner les éléments d'affichage et les zones de saisie.

**Appuyez** sur le bouton rotatif pour confirmer le choix de l'élément sélectionné ou pour valider des changements.

### ⑥ Lecteur de carte

Si l'appareil a été programmé pour fonctionner avec une carte, seuls les programmes enregistrés sur la carte pourront être utilisés pour le séchage des articles.

### ⑦ I Interrupteur Marche

### ⑧ O Interrupteur Arrêt

\*L'affichage varie selon les programmes disponibles.

## Description de l'appareil

### Touches de commande

⏏ Arrêt/Fin

Appuyez sur cette touche pour arrêter un programme sélectionné ou mettre fin à un programme déjà arrêté.

+➡ Cycle supplémentaire

Le cycle de programme choisi (p. ex. séchage préalable) sera ajouté au programme sélectionné.

⚙ Fonctions

Appuyez sur cette touche pour choisir temporairement une autre langue d'affichage ou accéder au niveau Superviseur.

⌚ Début différé

Appuyez sur cette touche pour choisir l'heure de début du programme à l'écran.

i Information

Pour afficher l'information relative au programme.

➡➡ Passer

Il est possible de sauter les cycles d'un programme ou de les exécuter de nouveau.

⬅ Retour à l'écran précédent

▼/▲ Ligne suivante ou ligne précédente

💾 Enregistrer

Consultez le Manuel de programmation

🔒 Programme verrouillé

S'il est indiqué qu'un programme est "verrouillé" cela signifie qu'une minute après le démarrage du programme vous ne pouvez plus l'interrompre ou y mettre fin à l'aide de la touche Arrêt.

🔓 Programme déverrouillé

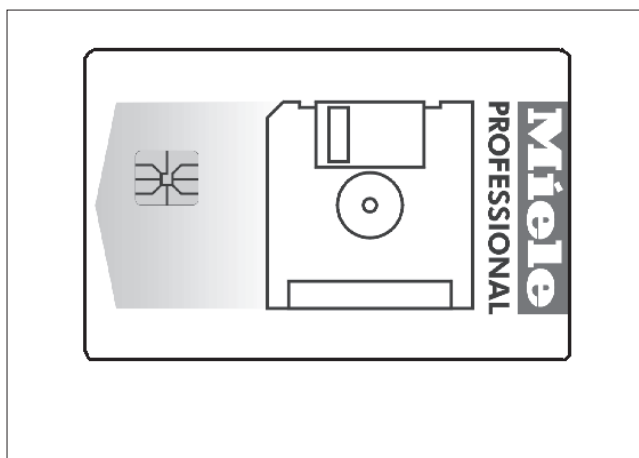
📄 Données de fonctionnement



Transfert de données

### Carte d'utilisateur

Aucun programme n'est enregistré sur cette carte. Pour transférer des données des commandes de l'appareil à la carte, et inversement, consultez le Manuel de programmation.



Il est possible d'enregistrer jusqu'à 30 programmes de 6 cycles sur la carte.


Le dos de la carte peut être étiqueté.

Insérez la carte dans le sens de la flèche.


## Avant la première utilisation

- Essuyez l'intérieur du tambour à l'aide d'un chiffon doux et sec.

## Préparation des articles

 Certains tissus ne peuvent pas être séchés dans une sècheuse à culbutage. Vérifiez les instructions du fabricant figurant sur les étiquettes d'entretien des articles.

 = Séchage à température normale

 = Séchage à basse température

 = Ne pas sécher à la machine

- Triez les articles selon le type et la couleur des tissus. Cela permettra d'assurer un séchage uniforme et d'éviter d'endommager les tissus.

 **Pour prévenir les incendies, ne séchez pas les articles suivant dans la machine** (sauf dans le cas de tissus visés par les programmes spéciaux) :

Les articles contenant du caoutchouc mousse, du caoutchouc ou des matières caoutchouteuses.

Les articles qui ont été traités au moyen d'agents nettoyants inflammables.

Les articles qui ont été souillés par du fixatif, du dissolvant de vernis à ongles, etc.

Les articles susceptibles d'être gras ou huileux, ou d'être saturés d'autres résidus, p. ex. les articles utilisés en cuisine ou en salon de coiffure.

Les balais à franges, les chiffons pour plancher, etc. lorsqu'ils contiennent des substances telles que de la cire ou des agents nettoyants chimiques.

Les articles matelassés ou rembourrés, comme les coussins ou les blousons, qui sont endommagés.

Les articles qui n'ont pas été suffisamment nettoyés et qui présentent des taches de graisse ou d'huile. Nettoyez les articles particulièrement sales (p. ex. les vêtements de travail) avec un détergent spécial.

## Renseignements importants concernant le séchage :

- Les articles en pure laine ou en laine mélangée peuvent feutrer. Pour le séchage de ces articles, utilisez uniquement le programme *Laine*
- Les articles en pur lin peuvent devenir rugueux lorsqu'ils sont séchés à la machine. Consultez les instructions du fabricant avant de procéder au séchage de ces articles.
- Les articles avec des boucles métalliques, des crochets, des boutons-pression, des fermetures éclair etc. doivent être placés dans un sac de tissu (p. ex. une taie d'oreiller) avant d'être placés dans la sècheuse, afin d'éviter de rayer ou de cabosser le tambour.
- Les articles dont les fermetures éclair métalliques sont fermées peuvent causer un court-circuit au niveau des électrodes des capteurs situées sur les arêtes du tambour, et le processus de séchage risque alors de finir trop tard ou de ne pas s'arrêter. Les fermetures éclair de ces articles doivent donc être ouvertes avant le séchage.
- Les tissus à mailles ont tendance à rétrécir. Un processus de séchage trop puissant accentue cet effet. N'utilisez pas les programmes de séchage les plus puissants pour le séchage de ces tissus.
- Les tissus empesés peuvent être séchés à la machine. Choisissez un programme avec un taux d'humidité résiduelle convenant au repassage à la main ou en machine. Triez les articles en fonction du niveau de séchage nécessaire. Il n'est pas nécessaire de trier les articles par taille.
- Les taies d'oreiller et les housses de couettes doivent être fermées pour éviter que des articles plus petits ne s'y glissent.
- Pour des raisons de rendement, remplissez complètement la sècheuse. Une sècheuse surchargée ne donne pas des résultats de séchage satisfaisants et abîme les tissus.
- Si le dernier cycle de rinçage dans la laveuse a été réalisé à l'eau chaude, les articles nécessiteront un temps de séchage inférieur, en raison du taux d'humidité résiduelle inférieur et de la chaleur résiduelle qu'ils contiendront.

# Séchage

## 1. Mettre la sécheuse sous tension

- Ouvrez la valve à gaz ou à vapeur (sur place).
- Activez l'alimentation principale (sur place).
- Appuyez sur la touche I "Marche" pour mettre la sécheuse en marche.

L'écran d'accueil apparaît.



La liste des programmes s'affiche. Le dernier programme lancé est mis en évidence.

1	Blanc/Couleurs intensif	0 %
2	Blanc/Couleurs normal +	0 %
3	Blanc/Couleurs normal	20 %

## 2. Mettre les articles dans le tambour

- Ouvrez la porte de l'appareil.
- Mettez les articles dans le tambour sans les compacter.

Vérifiez qu'aucun corps étranger ne se trouve dans le tambour, p. ex. des récipients de dosage de détergent ou de la monnaie.

- Fermez la porte de l'appareil.

Pour éviter d'endommager les tissus, assurez-vous que les articles ne resteront pas coincés dans la porte.

## Poids maximal des articles

PT 8257	PT 8337	PT 8407	PT 8507
Volume du tambour			
66 gal (250 l)	86 gal (325 l)	106 gal (400 l)	132 gal (500 l)
<b>1, 2, 3, 4, 5 Coton</b>			
22-29 lb (10-13 kg)	29-35 lb (13-16 kg)	35-44 lb (16-20 kg)	44-55 lb (20-25 kg)
<b>6, 7, 8 Tissus synthétiques</b>			
11 lb (5 kg)	14,5 lb (6,6 kg)	17,5 lb (8 kg)	22 lb (10 kg)
<b>9 Laine</b>			
9 lb (4 kg)	11,5 lb (5,2 kg)	14 lb (6,4 kg)	17,5 lb (8 kg)
<b>10 Délicats/Synthétiques</b>			
4,4 lb (2 kg)	5,7 lb (2,6 kg)	7 lb (3,2 kg)	9 lb (4 kg)
<b>11, 12 Programmes à minuterie</b>			
22-29 lb (10-13 kg)	29-35 lb (13-16 kg)	35-44 lb (16-20 kg)	44-55 lb (20-25 kg)
<b>13, 14 Articles imperméables, vêtements d'extérieur</b>			
11-14,5 lb (5-6,6 kg)	13,2-20 lb (6-9 kg)	17,5-24,3 lb (8-11 kg)	22-28,7 lb (10-13 kg)

Pour en savoir plus, consultez la section "Réglage du programme – Poids des articles"

### 3. Sélectionner un programme

La sècheuse est équipée d'un système de capteur électronique qui permet de contrôler l'humidité résiduelle des articles, ainsi que d'une minuterie, pour plus de sécurité.

Une fois que le niveau de séchage souhaité est atteint, les articles sont refroidis et le programme de séchage est alors terminé.

1	Blanc/Couleurs intensif	0 %
2	Blanc/Couleurs normal +	0 %
3	Blanc/Couleurs normal	20 %

Choisissez un programme en tournant le bouton rotatif (p. ex. Programme **2** Blanc/Couleurs normal +).


Pour obtenir plus de précisions sur les programmes de bases, consultez le "Guide des programmes".

### 4. Sélectionnez l'option "Cycle supplémentaire" ( facultatif)

(Option non disponible pour les programmes de base)

- Appuyez sur le bouton rotatif pour valider le programme sélectionné.

22	Blanc/Couleurs normal +	22,0/22,0 lb
15 %	Séchage	176 °F
	Refroidissement	

- Appuyez sur la touche  "Cycle supplémentaire" si vous souhaitez sélectionner un cycle de programme, p. ex. séchage préalable.

22	Blanc/Couleurs normal +	22,0/22,0 lb
24 %	Séchage préalable	
0 %	Séchage	

Le symbole  est mis en évidence.

Vous pouvez désélectionner cette fonction en appuyant de nouveau sur la touche.

Si vous ne souhaitez pas apporter d'autres modifications au programme :

- Appuyez sur la touche "MARCHE". Le programme de séchage débute.

### 5. Régler le programme (facultatif)

Pour modifier les réglages d'un programme avant de le lancer :

- Appuyez sur le bouton rotatif pour valider le programme sélectionné.

2	Blanc/Couleurs normal +	22,0/22,0 lb
0 %	Séchage	176 °F
	Refroidissement	

Le poids maximal autorisé des articles s'affiche sur le côté droit de l'écran.

#### Poids des articles

Le poids des articles peut être réglé manuellement.

2	Blanc/Couleurs normal +	22,0	22 lb
0 %	Séchage	176 °F	
	Refroidissement		

- Tournez le bouton rotatif jusqu'à ce que l'élément de menu "Poids des articles" soit mis en évidence, et appuyez sur le bouton pour valider ce choix. Tournez le bouton rotatif pour choisir le poids des articles désiré, et appuyez sur le bouton pour confirmer votre choix.

#### Température

Vous pouvez régler la température de séchage par paliers de 1 °F ou 1 °C, de 86 °F/30 °C à 203 °F/95 °C maximum.

- Sélectionnez "Température" à l'aide du bouton rotatif et appuyez sur le bouton pour valider ce choix.

2	Blanc/Couleurs normal +	22,0 lb
0 %	Séchage	176 °F
	Refroidissement	

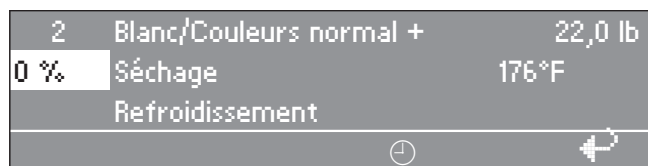
- Tournez le bouton rotatif pour choisir la température désirée, et appuyez sur le bouton pour confirmer votre choix.

# Séchage

## Humidité résiduelle

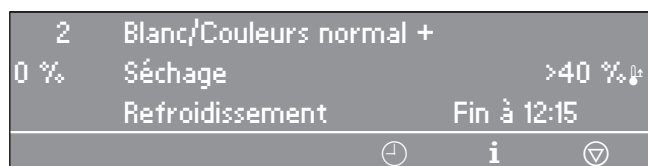
Vous pouvez régler le taux d'humidité résiduelle par paliers de 1 %, de -4 % à 10 %.

- Sélectionnez "Humidité résiduelle" (0 %) à l'aide du bouton rotatif et appuyez sur le bouton pour valider ce choix.



- Tournez le bouton rotatif pour choisir la taux d'humidité résiduelle désiré, et appuyez sur le bouton pour confirmer votre choix.
- Appuyez sur la touche "Marche" pour lancer le programme.

Les étapes du déroulement du programme s'affichent à l'écran une fois que le programme est lancé.



Le taux actuel d'humidité résiduelle (>40%) et le chauffage électrique en marche sont affichés à côté de "Séchage", à la deuxième ligne de l'écran. La troisième ligne indique le cycle de programme suivant.

La mention "Fin à 12:35" qui apparaît sur le côté droit de l'écran indique l'heure de fin du programme.

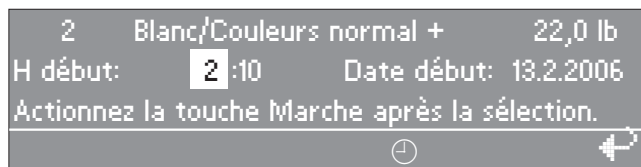
L'élément d'affichage "Fin à" s'ajuste automatiquement. Plusieurs cycles de programme doivent être terminés pour que l'heure de fin affichée soit exacte.

## 6. Utiliser l'option Début différé (facultatif)

Utilisez  $\ominus$  la touche "Début différé" pour retarder le lancement d'un programme.

### Réglage de l'heure du début différé

- Sélectionnez un programme.
- Appuyez sur la touche  $\ominus$  "Début différé".

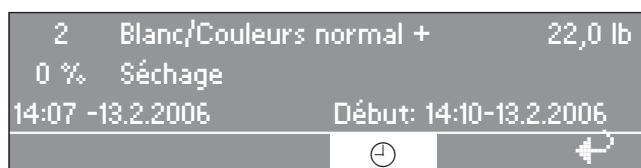


L'heure et la date actuelles s'affichent à l'écran. La zone de saisie de l'heure est mise en évidence.

- Tournez le bouton rotatif pour sélectionner la zone de saisie "Heure". Appuyez sur le bouton rotatif pour choisir l'heure. Sélectionnez l'heure de début souhaitée à l'aide du bouton rotatif, et appuyez sur le bouton pour confirmer votre choix.
- Tournez le bouton rotatif pour sélectionner la zone de saisie "Minutes". Appuyez sur le bouton rotatif pour choisir les minutes. Sélectionnez les minutes de début souhaitées à l'aide du bouton rotatif, et appuyez sur le bouton pour confirmer votre choix.
- Tournez le bouton rotatif pour sélectionner la zone de saisie "Date de début". Appuyez sur le bouton rotatif pour choisir la date de début. Tournez le bouton rotatif pour choisir la date de début souhaitée, et appuyez sur le bouton pour confirmer votre choix.

- Appuyez sur la touche "Marche".

Le programme débutera à l'heure choisie.



L'heure et la date actuelles apparaissent à l'écran, ainsi que l'heure de début du programme.

- Si la porte de la sécheuse est ouverte avant l'heure programmée de début différé, appuyez de nouveau sur la touche "Marche".

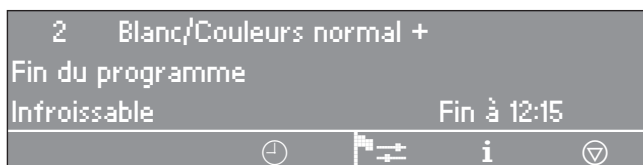
### Annuler le début différé

- Appuyez sur la touche  $\ominus$  "Début différé" ou sur la touche  $\leftarrow$  "Retour" pour annuler la fonction début différé..

## 7. Lancer un programme

- Appuyez sur la touche "Marche" pour lancer le programme.


## 8. Fin d'un programme



Lorsque le programme est terminé, un message s'affiche à l'écran et la sonnerie retentit.

- Ouvrez la porte de l'appareil.
- Retirez les articles.

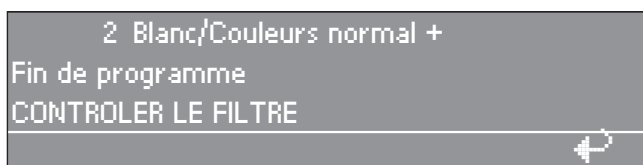
Si les articles ne sont pas retirés de l'appareil à la fin du programme, un cycle «infroissable» se met automatiquement en marche. Le tambour tourne à intervalles réguliers de sorte que la formation de plis est réduite.

 Les articles ne doivent pas être retirés de la sècheuse avant la fin du programme de séchage. La phase de refroidissement doit être terminée.

Des articles qui n'ont pas refroidi avant d'être empilés ou emballés risquent de s'enflammer spontanément.

- Vérifiez le filtre à charpie et nettoyez-le au besoin.

Fermez le clapet du filtre à charpie, sur lequel vous risquez sinon de trébucher.



Un message s'affiche à l'écran lorsqu'un nettoyage du filtre à charpie est nécessaire.

- Nettoyez le filtre à charpie dès la fin du programme.
- Fermez la porte de l'appareil.
- Appuyez sur la touche **0** "Arrêt" pour éteindre l'appareil.
- Coupez l'alimentation électrique (sur place).
- Fermez la valve à gaz ou à vapeur (sur place).

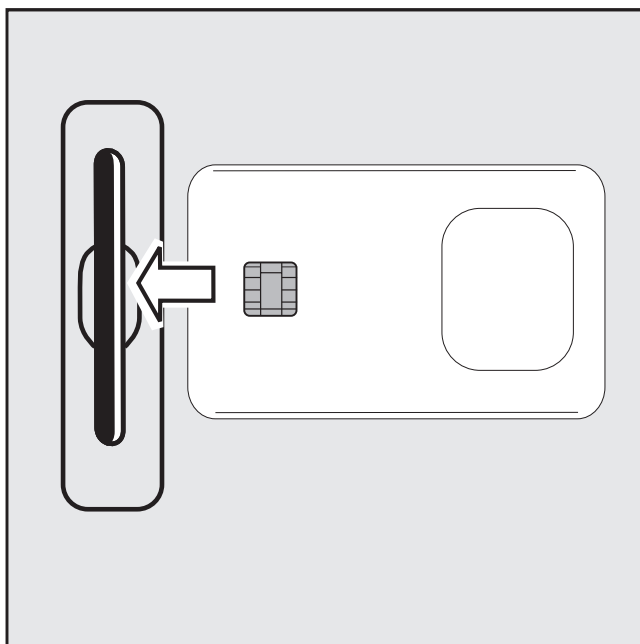
## Fonctionnement avec carte à puce/jetons

Si l'appareil est programmé pour fonctionner avec une carte, seuls les programmes de séchage enregistrés sur la carte pourront être utilisés.

Les cartes sur lesquelles un programme est enregistré sont programmées pour fonctionner avec un certain type d'appareil. Les cartes vierges peuvent fonctionner dans tous les appareils.

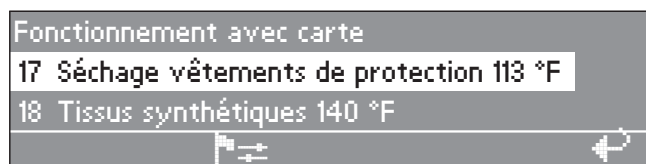
- Appuyez sur la touche I "Marche" pour mettre la sècheuse en marche.

L'écran d'accueil apparaît.



- Insérez la carte dans le sens de la flèche.

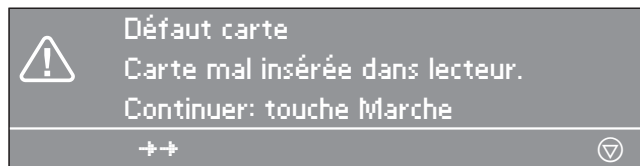
Une liste des programmes enregistrés sur la carte s'affiche à l'écran.



- Tournez le bouton rotatif pour sélectionner un programme. Appuyez sur ce bouton pour confirmer votre choix.
- Appuyez sur la touche "Marche".
- Retirez la carte du lecteur. Une fois le programme terminé, il est effacé de la mémoire de l'appareil.

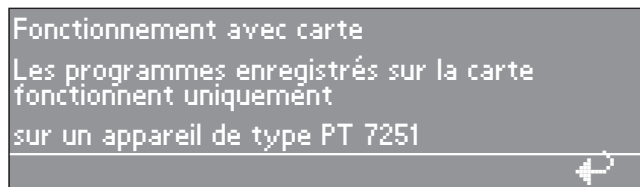
⚠ N'insérez rien d'autre que la carte dans le lecteur.

### Si la carte n'a pas été correctement insérée dans le lecteur



- Insérez la carte correctement dans le lecteur.

### Si la carte n'est pas adaptée à ce type d'appareil



- Insérez une carte convenant au type d'appareil que vous utilisez.

### Appareil doté d'un dispositif à carte/jetons C 4060/C 4065/C 4070

Suivez attentivement les instructions pour éviter de perdre la monnaie ou les jetons insérés.


1. Remplissez la sècheuse, puis fermez la porte du tambour.
2. Appuyez sur la touche I "Marche".
3. Sélectionnez un programme.
4. Insérez les pièces de monnaie ou les jetons.
5. Appuyez sur la touche "Marche".

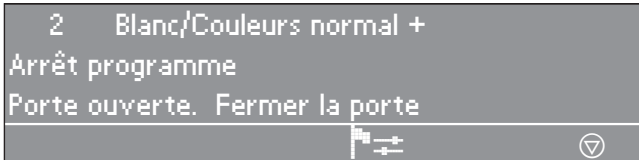


## Ajouter ou retirer des articles pendant un programme

Il est possible d'ouvrir la porte du tambour en cours de programme pour ajouter ou retirer des articles.

- Ouvrez la porte.

 Attendez que le tambour soit immobile avant d'en sortir les articles. Ne mettez jamais les mains dans un tambour en mouvement.



- Ajoutez ou retirez des articles.
- Fermez la porte de l'appareil.

Il est possible que le ventilateur se mette en marche par mesure de sécurité si la température du tambour est trop élevée.

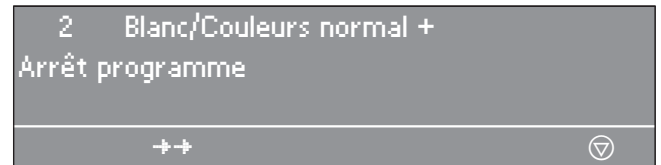
- Appuyez sur la touche "Marche".

Le programme se poursuit.

## Sauter ou exécuter de nouveau certaines étapes du programme

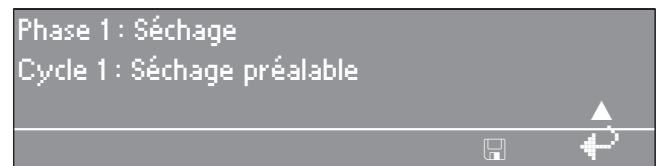
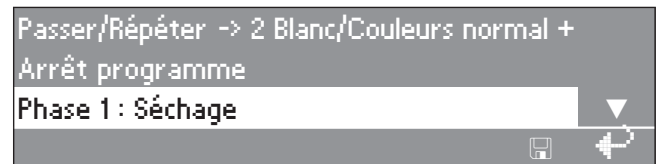
Il est possible de sauter les étapes d'un programme ou de les exécuter de nouveau.

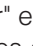

- Appuyez sur la touche  "Fin" pour arrêter le programme.



- Appuyez sur la touche  "Passer/Répéter"

L'étape en cours s'affiche à l'écran. Consultez la section "Structure de programme" du Manuel de programmation.

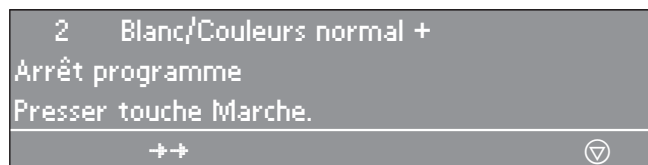


- Sélectionnez "Phase" à l'aide du bouton rotatif, et appuyez sur le bouton pour valider ce choix.  
Phase : Choisissez 1 Séchage ou 2 Refroidissement et confirmez votre choix.
- Sélectionnez "Cycle" à l'aide du bouton rotatif, et appuyez sur le bouton pour valider ce choix.  
Cycle : Choisissez Séchage 1-10 ou Refroidissement 1-10 et confirmez votre choix.
- Appuyez sur la touche  "Enregistrer" et sur la touche "Marche" pour sauter les cycles du programme.
- Pour revenir en arrière sans sauter les cycles du programme :  
Appuyez sur la touche  "Retour" pour revenir à l'étape à laquelle le programme a été arrêté.

## Options supplémentaires


### Arrêt d'un programme

- Appuyez sur la touche  "Fin" pour arrêter le programme.



- Appuyez sur la touche "Marche" pour poursuivre le programme.

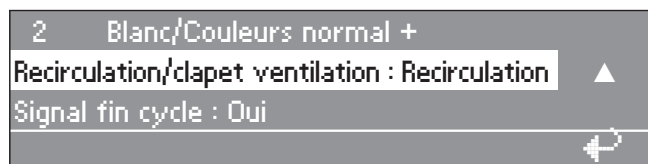
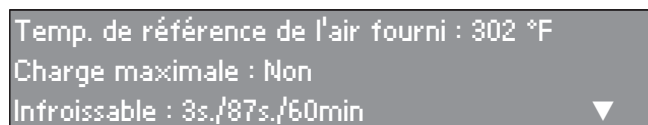
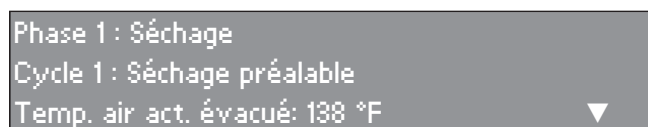
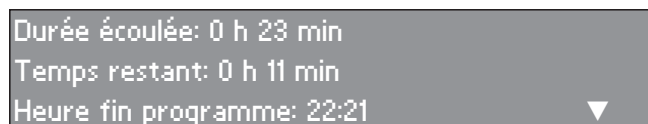
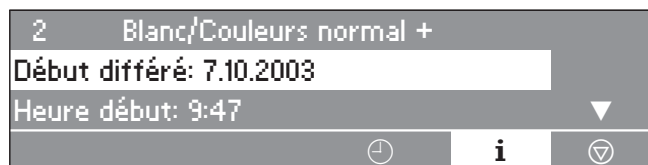
### Annulation d'un programme

Pour annuler un programme, appuyez deux fois sur la touche  "Fin".

### i Information

- Pour obtenir des renseignements sur un programme en cours d'exécution, appuyez sur la touche **i** "Information".

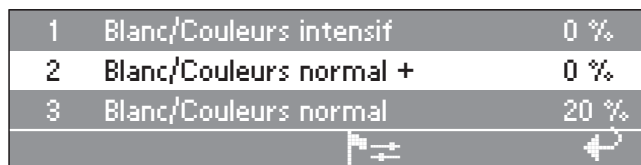
Exemples :




- Appuyez sur la touche  "Retour" pour revenir à l'étape de déroulement du programme.

### Langue

La langue d'affichage peut être modifiée temporairement à l'aide du drapeau.



- Appuyez sur la touche .



- Sélectionnez "Langue" à l'aide du bouton rotatif.



- Sélectionnez la langue d'affichage désirée à l'aide du bouton rotatif, et appuyez sur le bouton pour confirmer votre choix.

Une fois votre choix confirmé, les indications à l'écran s'affichent dans la langue sélectionnée.

Les indications à l'écran s'afficheront de nouveau dans la langue initialement programmée :

- si aucune action n'a été exercée pendant 5 minutes;
- 5 minutes après la fin du programme;
- en cas d'ouverture de la porte.

## Programmes de base

Programme	Type de tissu	charge max.
<b>1 Blanc/Couleurs intensif 0%</b> (Normal+) 74°C	Tissus multicouches ou très épais, en coton et en lin, qui ne sont pas complètement secs à l'issue du programme "Blanc/Couleurs normal +".	
<b>2 Blanc/Couleurs normal + 0%</b> (Normal) 74°C	Articles fait d'une seule couche et articles multicouches, en coton et en lin.	
<b>3 Blanc/Couleurs normal 20 %</b> (Repassage machine) 74°C	Tissus en coton et en lin qui doivent être repassés à la machine.	PT 8257 22-29 lb (10-13 kg)
<b>4 Blanc/Couleurs normal 25 %</b> (Repassage machine) 74°C		PT 8337 29-35 lb (13-16 kg)
<b>5 Blanc/Couleurs normal 40 %</b> (Repassage machine) 74°C		PT 8407 35-44 lb (16-20 kg) PT 8507 44-55 lb (20-25 kg)
<b>6 Non repassable normal + 0 %</b> (Normal) 60°C	Fibres synthétiques, coton ou tissus mélangés.	PT 8257 11 lb (5,0 kg)
<b>7 Non repassable normal 10 %</b> (Repassage machine) 60°C		PT 8337 14,5 lb (6,6 kg)
<b>8 Non repassable normal 20 %</b> (Repassage machine) 60°C		PT 8407 17,5 lb (8,0 kg) PT 8507 22 lb (10 kg)
<b>9 Laine 5 min.</b> 74°C	Programme permettant de duveter les articles en laine ayant fait l'objet d'un séchage préalable.	PT 8257 9 lb (4 kg) PT 8337 11,5 lb (5,2 kg) PT 8407 14 lb (6,4 kg) PT 8507 17,5 lb (8 kg)
<b>10 Fin 20 %</b> 40°C	Articles délicats en fibres synthétiques, coton, ou tissus mélangés.	PT 8257 4,5 lb (2 kg) PT 8337 6 lb (2,6 kg) PT 8407 7 lb (3,2 kg) PT 8507 9 lb (4 kg)

## Guide des programmes


Programme	Type de tissu	charge max.
<b>11 Minuterie froid 15 min.</b>	Pour le duvetage des articles.	PT 8257 22-29 lb (10-13 kg)
<b>12 Minuterie chaud 20 min.</b> 74°C	Pour le séchage d'articles de petite taille, ou le séchage complémentaire d'un article.	PT 8337 29-35 lb (13-16 kg) PT 8407 35-44 lb (16-20 kg) PT 8507 44-55 lb (20-25 kg)
<b>13 Imprégnation</b> (Normal) 60°C	Pour les tissus qui peuvent être séchés à la machine p. ex. les articles en microfibres, les vêtements de ski et d'extérieur, les articles en coton dense et fin (la popeline), les nappes.	PT 8257 11-14,5 lb (5-6,6 kg) PT 8337 14,5-20 lb (6,6-9 kg) PT 8407 17,5-24,5 lb (8-11 kg) PT 8507 22-29 lb (10-13 kg)
Ce programme comporte une étape supplémentaire pour le traitement des articles imperméables. Les articles imperméables doivent uniquement être traités au moyen d'un produit hydrofuge "pour tissus à membrane". Ces produits sont à base de fluorures. Risque d'incendie. Ne séchez pas de tissus qui ont été traités au moyen de produits contenant de la paraffine.		
<b>14 Outdoor</b> 60°C	Vêtements d'extérieur séchables dans une sècheuse à culbutage.	

La température se réfère à l température d'évacuation.

## Couettes

Programme	Type de tissu	charge max.
<b>Couettes plumes</b>	Couettes et oreillers en plumes ou en duvet	PT 8257 1 couette ou 2 oreillers 22 lb (10 kg)
74°C, 0 % d'humidité résiduelle après séchage, séchage supplémentaire, refroidissement		PT 8337 3 oreillers ou 1 oreiller + 1 couette 29 lb (13 kg)
<b>Couettes synth.</b>	Couettes et oreillers synthétiques	PT 8407 4 oreillers ou 2 oreillers + 1 couette ou 2 couettes 35,5 lb (16 kg)
74°C, 0 % d'humidité résiduelle après séchage, séchage supplémentaire, refroidissement		PT 8507 5 oreillers ou 3 oreillers + 1 couette ou 2 couettes 44 lb (20 kg)
<b>Couettes fibre naturelle</b>	Couettes et couvertures en fibres naturelles	
74°C, 3 minutes de séchage, refroidissement Les couettes en fibres naturelles ne doivent pas être complètement séchées à la sècheuse, sinon elles feutrent. Un temps de séchage court est conseillé.		
		Il s'agit de valeurs approximatives, susceptibles de varier en fonction de la taille et de l'épaisseur des articles.

## Fauberts

 Les articles qui n'ont pas été correctement nettoyés et qui contiennent des résidus (de cire ou de produits chimiques) peuvent provoquer des incendies. Assurez-vous de nettoyer complètement les articles particulièrement sales : utilisez pour cela une quantité de détergent suffisante et choisissez un nettoyage à haute température. En cas de doute, nettoyez ces articles plusieurs fois.

Programme	Type de tissu	charge max.
<b>Fauberts</b>	Balais à franges en coton	PT 8257 22 lb (10 kg)
74°C, 0 % d'humidité résiduelle après séchage, refroidissement		PT 8337 29 lb (13 kg)
<b>Fauberts microfibres</b>	Balais à franges en microfibres	PT 8407 35,5 lb (16 kg)
60°C, 0 % d'humidité résiduelle après séchage, refroidissement		PT 8507 44 lb (20 kg)
<b>Lavettes</b>	Chiffons en microfibres, chiffons à poussière	PT 8257 12,5 lb (5,6 kg)
60°C, 0 % d'humidité résiduelle après séchage, refroidissement		PT 8337 15,5 lb (7 kg)
		PT 8407 19 lb (8,6 kg)
		PT 8507 24,5 lb (11 kg)

La température se réfère à l température d'évacuation.

# Guide des programmes

## Pompiers


Programme	Type de tissu	charge max.
<b>Masques</b>	Masque de protection avec serre-tête	Quantité max. d'attaches/de masques
50°C, 45 minutes de séchage, refroidissement Les masques de protection ne doivent être séchés dans la sècheuse que s'ils sont fixés au tambour à l'aide de plaques de montage spéciales (accessoires offerts en option).		PT 8257 4 8 PT 8337 4 12 PT 8407 4 16 PT 8507 4 12
<b>Tenue de protection</b>	Uniformes des pompiers, p. ex. vêtements en Nomex®, blousons, pantalons	PT 8257 de 1 à 2 uniformes (1 blouson + 2 pantalons ou 2 blousons) PT 8337 environ 2 uniformes (ou 3 blousons) PT 8407 environ 3 uniformes PT 8507 de 3 à 4 uniformes
74°C, 0 % d'humidité résiduelle après séchage, séchage supplémentaire, refroidissement		
<b>Imprégn. tenue protec.</b>	Articles traités avec un agent imperméabilisant	
74°C, 0 % d'humidité résiduelle après séchage, séchage supplémentaire, refroidissement Les articles imperméables doivent uniquement être traités au moyen d'un produit hydrofuge "pour tissus à membrane". Ces produits sont à base de fluorures. Risque d'incendie. Ne séchez pas de tissus qui ont été traités au moyen de produits contenant de la paraffine.		PT 8257 11-14,5 lb (5-6,6 kg) PT 8337 14,5-20 lb (6,6-9 kg) PT 8407 17,5-22 lb (8-10 kg) PT 8507 22-29 lb (10-13 kg)

## Pressings

Programme	Type de tissu	charge max.
<b>Aquanett délicat</b>	Articles non lavables	PT 8257 9-11 lb (4-5 kg) PT 8337 11-14,5 lb (5-6,6 kg) PT 8407 14,5-17,5 lb (6,6-8 kg) PT 8507 17,5-22 lb (8-10 kg)
50°C, 3 minutes de duvetage, refroidissement		
<b>Aquanett soie</b>	Articles non lavables qui se froissent facilement	PT 8257 9-11 lb (4-5 kg) PT 8337 11-14,5 lb (5-6,6 kg) PT 8407 14,5-17,5 lb (6,6-8 kg) PT 8507 17,5-22 lb (8-10 kg)
60°C, 15 % d'humidité résiduelle après séchage, refroidissement		
<b>Aquanett intensif</b>	Articles lavables	PT 8257 11-14,5 lb (5-6,6 kg) PT 8337 14,5-20 lb (6,6-9 kg) PT 8407 17,5-24,5 lb (8-11 kg) PT 8507 22-29 lb (10-13 kg)
74°C, 0 % d'humidité résiduelle après séchage, refroidissement		

La température se réfère à l température d'évacuation.

## Centres équestres

 Pour éviter d'endommager le tambour de la sècheuse, les boucles métalliques, les crochets et les œilletons doivent être enveloppés.

Programme	Type de tissu	charge max.
<b>Couvertures cheval</b>	Couvertures de chevaux, tapis de selle, guêtres de tendon, bandages, licous	PT 8257 22 lb (10 kg) PT 8337 29 lb (13 kg)
60°C, 0 % d'humidité résiduelle après séchage, séchage supplémentaire, refroidissement		PT 8407 35,5 lb (16 kg) PT 8507 44 lb (20 kg)
<b>Couvertures cheval laine</b>	Couvertures de chevaux essentiellement constituées de laine	
74°C, 5 minutes de séchage, refroidissement		

La température se réfère à l'température d'évacuation.

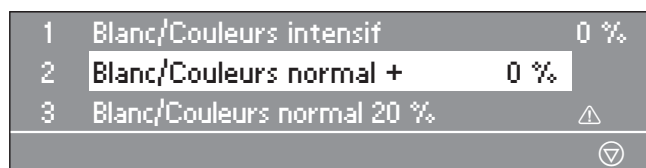
Modèle	Charge		
	Tapis de selle	Couvertures d'été	Couvertures d'hiver
PT 8257	7	2	1
PT 8337	9	2-3	1-2
PT 8407	11	2-3	1-2
PT 8507	12	3	2

### Messages d'erreur

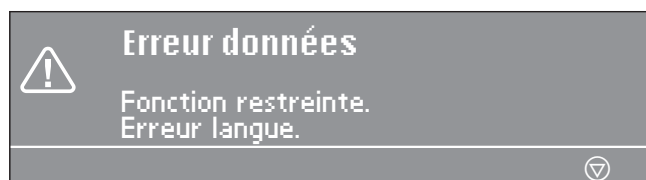
⚠ Les réparations d'appareils électriques, au gaz ou à vapeur doivent être effectuées uniquement par un technicien autorisé Miele, conformément aux normes de sécurité nationales et locales. Les réparations effectuées par des personnes non qualifiées pourraient causer des blessures ou endommager l'appareil. Le fabricant ne peut être tenu responsable des travaux effectués par des personnes non qualifiées.

Lors du raccord de l'appareil à l'alimentation secteur, ou si la liste des programmes a été sélectionnée, l'organe de commande de l'appareil effectue une analyse du système. Tous les modules et leurs capteurs, ainsi que les données du système d'exploitation, les programmes de séchage et les langues d'affichage font l'objet d'une vérification.

Si une erreur s'est produite quant à un programme ou une langue d'affichage, ces éléments sont accompagnés du symbole ⚠ et ne peuvent pas être sélectionnés (dans l'exemple ci-dessous les éléments défectueux sont "3 Blanc/Couleurs normal 20 %" et "English").

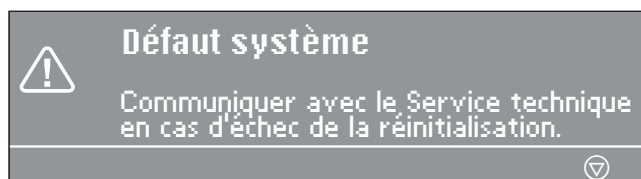


Si une erreur se produit quant à une langue d'affichage déjà sélectionnée, le message suivant s'affiche :



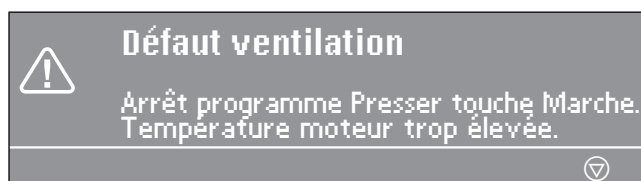
Si des erreurs se produisent avant ou après le début d'un programme, celui-ci clignote à l'écran.

Si les erreurs n'ont toujours pas été résolues après la cinquième réinitialisation du programme, un message général s'affiche :



Si l'écran reste éteint, cela peut signifier que la sècheuse n'est pas alimentée en électricité.

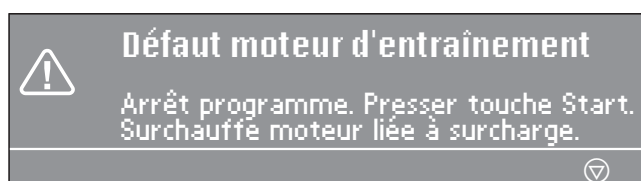
- Vérifiez la fiche, l'interrupteur principal et les fusibles sur place.



- Laissez refroidir le moteur.



- Communiquez avec le Service technique.

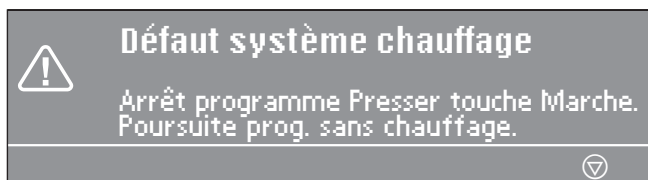


- Laissez refroidir le moteur.



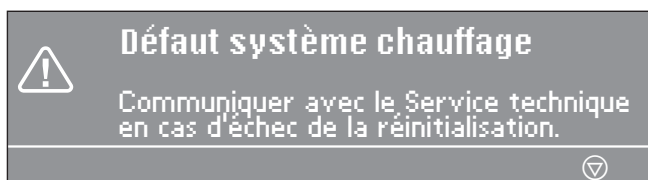


- Appuyez sur "MARCHE" pour poursuivre le programme.

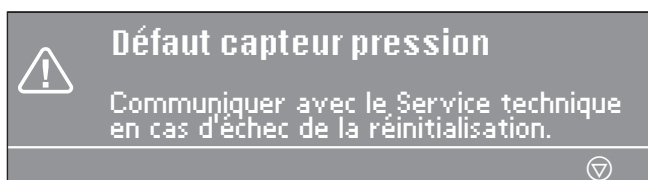


- Appuyez sur "MARCHE" pour poursuivre le programme sans chauffage.

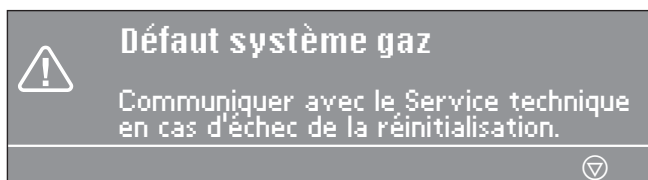
Communiquez avec le Service technique.



- Communiquez avec le Service technique.



- Communiquez avec le Service Technique si la réinitialisation échoue.

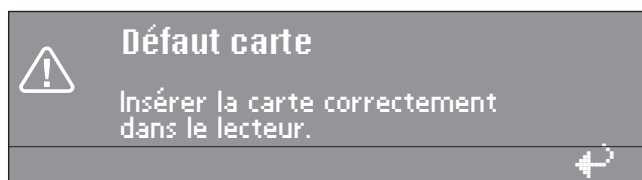


Si l'erreur survient immédiatement après le début du programme :

- Ouvrez la valve à gaz et appuyez sur "Marche".

Si l'erreur survient au cours du déroulement du programme, cela peut signifier que la pression du gaz a chuté en raison de l'utilisation d'autres appareils à gaz.

- Appuyez sur la touche "Marche".
- Communiquez avec le Service technique si le programme ne redémarre pas.



- Insérez la carte correctement dans le lecteur.

### Service après-vente

- Si vous n'êtes pas en mesure de résoudre certains problèmes, veuillez communiquer avec le Service technique.
- Lorsque vous communiquez avec le Service technique, veuillez préciser le modèle, le numéro de série et la référence de votre appareil.

<b>Model</b>			
<b>SN:</b>	/	o o o o o o o o	
<b>Art.-Nr.</b>		<b>Mat -Nr.</b>	
<b>IBN</b>			

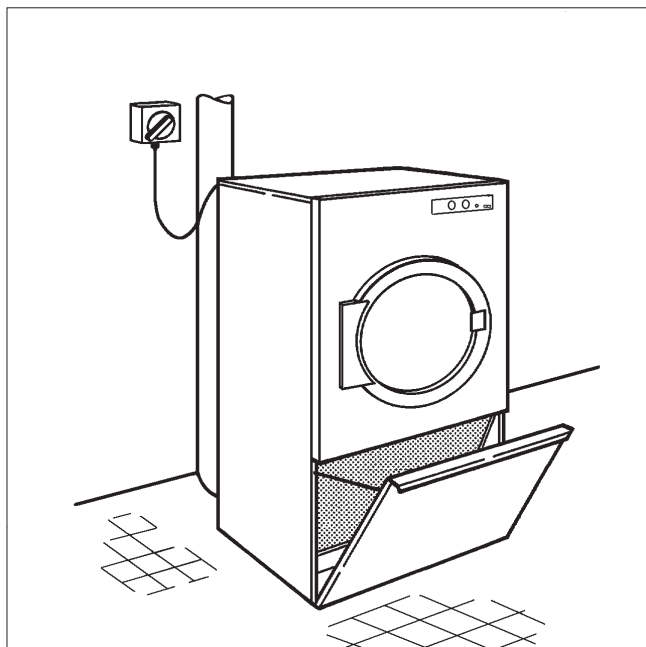
Ces renseignements figurent sur la plaque signalétique située au-dessus de l'ouverture de la porte (visible lorsque la porte du tambour est ouverte) ou à l'arrière de l'appareil, près du dessus.

- Lorsque vous communiquez avec le Service technique, veuillez préciser quel est le message d'erreur affiché à l'écran.

N'utilisez que des pièces de rechange d'origine de Miele pour l'entretien et la réparation de cet appareil. Lorsque vous passez commande de ces pièces, indiquez le numéro de série et la référence de votre appareil.

### Nettoyage du filtre à charpie

⚠️ Nettoyez le filtre à charpie au moins une fois par jour, et chaque fois que le message "Nettoyer filtre à charpie" s'affiche à l'écran. Un filtre obstrué représente un risque d'incendie.



- Ouvrez le clapet du filtre à charpie.
- Ne retirez pas le filtre à charpie.
- Enlevez la charpie du filtre à la main (n'utilisez jamais d'objets pointus). Récupérez la charpie en veillant à ne pas endommager le filtre.

⚠️ N'utilisez pas la sècheuse si le filtre à charpie intégré n'est pas en place.

#### Cela pourrait provoquer un incendie.

Si le filtre à charpie est endommagé, il doit être remplacé immédiatement.

Une accumulation de charpie pourrait obstruer le système de circulation de l'air et les systèmes de chauffage et de ventilation, et nuire ainsi à l'efficacité de l'appareil.

### Sècheuse

Avant de nettoyer ou de réparer la sècheuse, débranchez-la de l'alimentation électrique en coupant l'alimentation générale ou en basculant le disjoncteur.

Dans le cas des sècheuses fonctionnant avec un système de chauffage au gaz, le robinet manuel d'arrêt du gaz et le dispositif d'arrêt du compteur de gaz doivent être fermés. De même, sur les sècheuses fonctionnant avec un système de chauffage à la vapeur, le robinet d'arrêt de la vapeur doit être fermé.

⚠️ N'utiliser pas de nettoyeur à haute pression ni de jet d'eau pour nettoyer l'appareil.

- Utilisez de l'eau tiède savonneuse et une éponge douce pour nettoyer la structure de l'appareil, le panneau de commande et les éléments en plastique, puis essuyez à l'aide d'un chiffon doux.
- Après le séchage d'articles empesés, nettoyez le tambour à l'aide d'un chiffon doux et humide.

N'utilisez jamais de nettoyants abrasifs, de tampons à récurer, de laine d'acier ou de nettoyants corrosifs. Ces produits **endommageraient** la surface de l'appareil.

Vérifiez le joint d'étanchéité statique et le verrou de la porte du tambour, ainsi que le clapet du filtre à charpie.

L'entrée d'air est située à l'arrière de la sècheuse. Veillez à ne jamais obstruer cette ouverture. Ne recouvrez pas le dessus de la sècheuse avec des couvertures ou des chiffons.

Faites en sorte que l'espace autour de la sècheuse, et notamment l'espace entourant l'entrée d'air, ne soit pas encombré par une accumulation de charpie, afin d'assurer l'approvisionnement en air propre. La charpie risque de s'accumuler dans la sècheuse et de provoquer des dysfonctionnements.

### À vérifier et à nettoyer une fois par an

- Les bobines thermiques et conduits de chauffage (pour les sècheuses fonctionnant avec un système de chauffage électrique); le brûleur et le compartiment du brûleur (pour les sècheuse fonctionnant avec un système de chauffage au gaz).
- L'intérieur de sècheuse, dans son intégralité.
- La roue du dispositif de ventilation par extraction.
- Le conduit d'évacuation et la sortie d'air vers l'extérieur.
- Nettoyez toute trace de charpie à l'aide d'un aspirateur.

⚠️ L'entretien de la sècheuse doit être assuré en temps opportun par un professionnel, afin de prévenir les baisses de la puissance de fonctionnement, les dysfonctionnements et les risques d'incendie. Communiquez avec le Service technique de Miele pour la réalisation des travaux d'entretien.


## **AVERTISSEMENT – Risque d'incendie**

► Tous les travaux d'installation, d'entretien et de réparation doivent être effectués par un technicien autorisé Miele. Il peut être dangereux de confier ces travaux à des personnes non qualifiées.

► L'installation doit être réalisée conformément aux codes et aux règlements locaux et nationaux.

► Avant l'installation, débranchez la sècheuse de l'alimentation électrique : coupez le courant, débranchez le cordon électrique ou basculez le disjoncteur. Ne rebranchez pas la sècheuse tant que l'installation n'est pas terminée.

► Faites en sorte que votre appareil soit correctement installé et mis à la terre par un technicien qualifié.

► Pour des raisons de sécurité électrique, cet appareil doit être mis à la terre  conformément aux codes locaux. Il est essentiel de respecter cette exigence élémentaire en matière de sécurité. En cas de doute, faites vérifier l'installation électrique par un électricien qualifié.

► Veillez à ne pas endommager, retirer ou passer outre les composants de sécurité ou les accessoires et les éléments de contrôle de la sècheuse.

► ATTENTION : N'oubliez pas d'étiqueter tous les fils électriques avant de débrancher l'appareil lors des contrôles d'entretien. Les erreurs de câblage peuvent entraîner une utilisation inadéquate de l'appareil.

► Assurez-vous que la pièce dans laquelle l'appareil est installé est équipée d'une ventilation adéquate.

► N'utilisez pas la sècheuse dans la même pièce que des machines de nettoyage fonctionnant avec des solvants qui contiennent des CFC. Les vapeurs de ces solvants se transforment en sel acide qui risque d'endommager les articles et la sècheuse. Si des machines utilisant ce type de solvants sont utilisées dans des pièces attenantes, assurez-vous qu'il n'y a aucun échange d'air avec ces pièces.

► Le conduit d'évacuation de la sècheuse ne doit pas passer par un conduit servant également pour l'évacuation d'appareils chauffés au gaz, au charbon ou à l'huile. Le conduit d'évacuation de la sècheuse ne doit pas être connecté à une évacuation de gaz, à une cheminée, à un mur, à un plafond ou à un vide de construction. Le système d'évacuation doit suivre la voie la plus courte vers l'extérieur, ou passer par un conduit d'évacuation approprié. Ce conduit doit être conçu et installé pour permettre un débit d'air élevé (le conduit doit être le plus court possible avec le moins de coudes possibles, et avoir des joints étanches et bien formés).

► ATTENTION : Une sècheuse non ventilée produit de la charpie combustible. Évacuez l'air de la sècheuse à l'extérieur!

► N'installez pas de filtres ou de grilles d'aération dans le conduit d'évacuation.

► Le raccord entre le conduit d'échappement et la sècheuse doit être hermétique.

► Protégez les conduits d'évacuation exposés aux intempéries en formant un angle descendant de 90 °.

► Pour faciliter le nettoyage d'un conduit, les coudes de ce conduit doivent, dans la mesure du possible, être équipés de volets ou de couvercles permettant le nettoyage.

► Dans le cas de conduits d'échappement ascendants, un système de purge de la condensation doit être installé au point le plus bas du conduit.

► Utilisez uniquement des pièces de rechange d'origine Miele pour remplacer les pièces défectueuses.

► Respectez les dimensions minimales et la distance requise par rapport au mur, conformément aux indications du diagramme d'installation, afin que les travaux d'entretien puissent être effectués et que la plaque signalétique soit visible.

► N'installez pas la sècheuse dans un endroit exposé à l'eau ou aux intempéries.

► Installez la sècheuse de manière à laisser un espace libre suffisant pour permettre d'entretenir et de faire fonctionner l'appareil correctement.

► Pour obtenir de plus amples renseignements, consultez la section "Installation – Évacuation, entrée d'air, espaces de ventilation et vapeur" du manuel d'utilisation.

## **CONSERVEZ CES INSTRUCTIONS.**

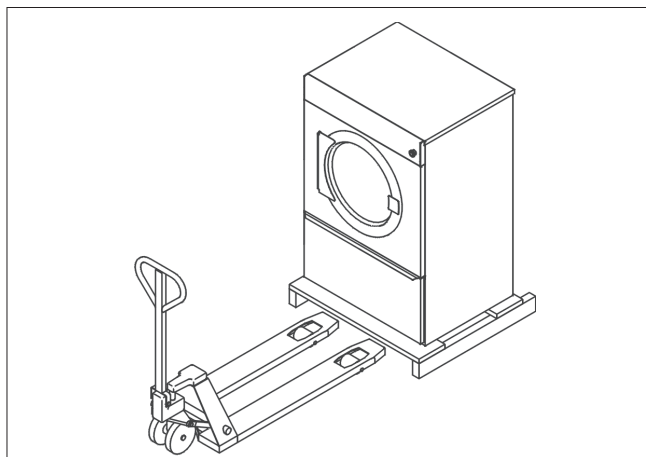
# INSTRUCTIONS IMPORTANTES SUR LA SÉCURITÉ


La sécheuse doit être installée et testée par un technicien Miele ou par un détaillant autorisé.

Cet appareil doit être installé conformément aux normes en vigueur, et doit être utilisé uniquement dans une pièce dotée d'un système de ventilation adéquat.

Veillez lire attentivement les instructions avant d'installer et d'utiliser cet appareil.

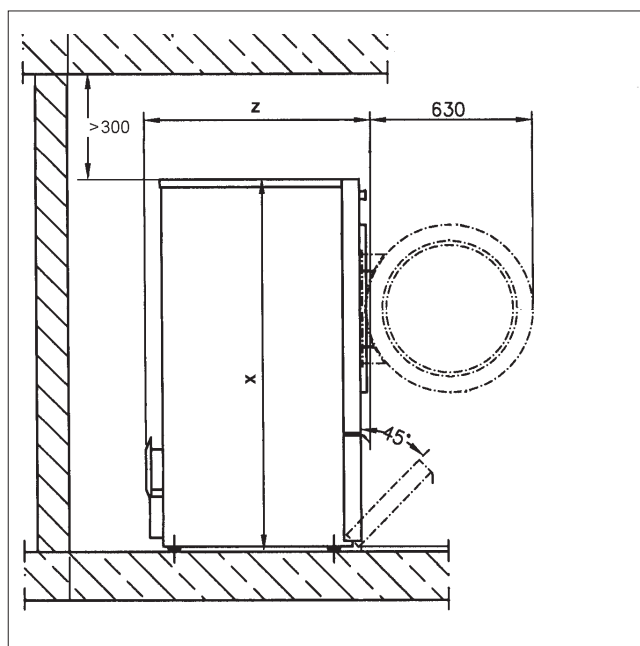
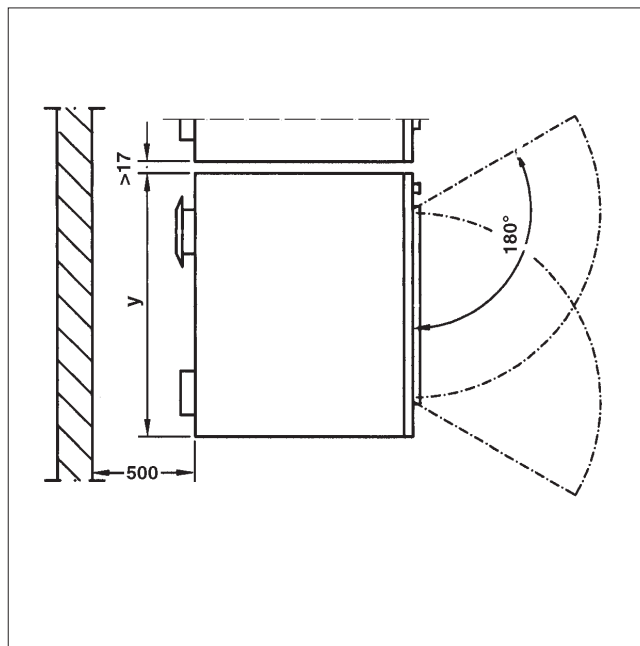
N'installez pas cette sécheuse dans une pièce où la température de congélation peut être atteinte.



 La sécheuse doit toujours être transportée sur sa palette d'expédition.

Pour installer la sécheuse à son emplacement final, soulevez-la de sa palette d'expédition en utilisant un équipement de levage approprié.

Pour faciliter l'accès à l'appareil lors de la réalisation de travaux de maintenance et d'entretien, veuillez respecter les dimensions minimales et la distance requise par rapport au mur.

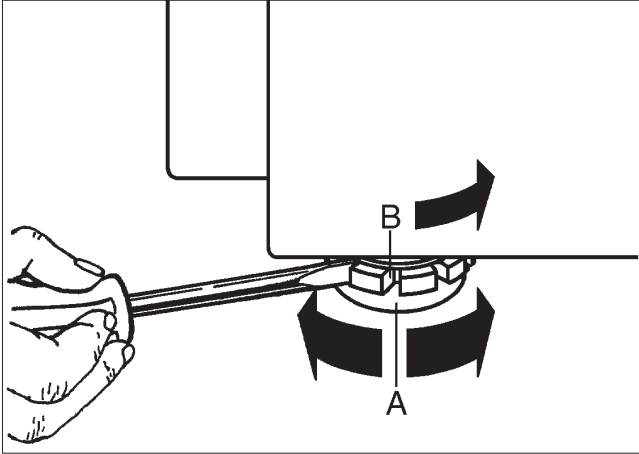


	PT 825X/833X/840X	PT 850X
<b>x</b>	55 <sup>1</sup> / <sub>8</sub> po (1 400 mm)	64 <sup>9</sup> / <sub>16</sub> po (1 640 mm)
<b>y</b>	35 <sup>11</sup> / <sub>16</sub> po (906 mm)	47 <sup>1</sup> / <sub>2</sub> po (1 206 mm)
<b>z</b>	33 / 40 <sup>1</sup> / <sub>8</sub> / 45 <sup>3</sup> / <sub>16</sub> po (836/ 1 019/ 1 148 mm)	39 <sup>7</sup> / <sub>16</sub> po (1 002 mm)

## Mise à niveau de la sécheuse

Il n'est pas nécessaire d'installer la sécheuse sur une base. Il faut cependant procéder à certains ajustements pour compenser toute inégalité du plancher.


La sécheuse doit être de niveau pour pouvoir fonctionner correctement.

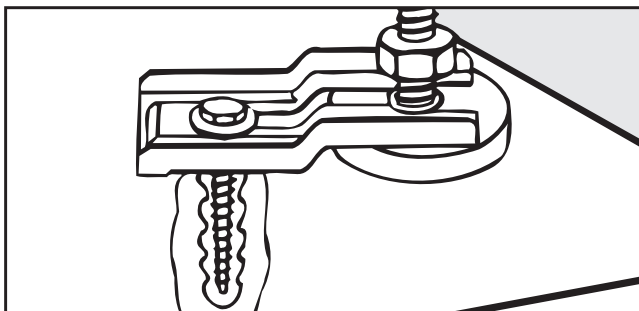


- Mettez la sécheuse de niveau en tournant les pieds dans le sens des aiguilles d'une montre ou dans le sens inverse (**A**), selon les besoins.
- Une fois la sécheuse de niveau, les disques de nivellement (**B**) doivent être solidement vissés à la plaque de base de la sécheuse.

## Installation sur une base surélevée

La sécheuse peut être installée sur une base de béton surélevée.

 Si vous installez la sécheuse sur une base de béton existante, elle **doit** être fixée à cette base par des attaches de retenue. Si vous ne la fixez pas, la laveuse pourrait tomber de son socle.



- Fixez les pieds avant de la sécheuse à l'aide des attaches de retenue fournies.

## Réduction du niveau de bruit

La sécheuse est équipée d'un ventilateur qui est une source de bruit.

Afin de réduire le niveau de bruit, il est possible d'installer un atténuateur acoustique (que vous pouvez vous procurer auprès de Miele) au niveau du raccord d'évacuation (consultez les instructions d'installation).

## Appareil payant

La sécheuse peut être équipée d'un dispositif à jetons\*.

Cela nécessite un adaptateur\*.

Cette installation nécessite une reprogrammation de la sécheuse, intervention qui doit être effectuée par un technicien autorisé Miele.

Videz quotidiennement la caisse à jetons. Cela vous permettra d'éviter que les pièces et les jetons ne s'accumulent et qu'ils entraînent des problèmes de fonctionnement.

\*disponibles sur commande auprès de Miele

## Module de communication XKM RS232

(le cas échéant)

Le module de communication optionnel permet de relier la sécheuse à un ordinateur personnel au moyen d'une interface sérielle.

La sortie permettant de raccorder ce module est située à l'arrière de la sécheuse.

L'installation de ce module nécessite un programme d'édition spécial, que vous pouvez vous procurer auprès du service professionnel de Miele.

# INSTRUCTIONS IMPORTANTES SUR LA SÉCURITÉ

---

## Branchement électrique

Les branchements électriques doivent être effectués par un électricien qualifié et être conformes à toutes les normes nationales.

Veillez consulter le schéma de câblage ci-joint.

Avant d'installer l'appareil, assurez-vous que la tension et la fréquence indiquées sur la plaque signalétique correspondent à celles du système d'alimentation électrique du site d'installation.

Si l'appareil est câblé, il est nécessaire d'installer un séparateur à pôles multiples. Les séparateurs à pôles multiples d'un écartement des contacts d'au moins  $\frac{1}{8}$  po (3 mm) sont valables. Toutes les composantes doivent être homologuées CSA ou UL.

La fiche de connexion ou le séparateur doivent être accessibles en tout temps.

Vous devez être en mesure de verrouiller le dispositif séparateur ou de le contrôler dans les cas où l'appareil doit être débranché de l'alimentation électrique.

Une fois la sècheuse branchée, vérifiez le sens de rotation du ventilateur. Ce dernier doit tourner dans le sens des aiguilles d'une montre. S'il tourne dans le sens inverse, inversez deux phases dans la boîte de jonction.

## Régulation de tension automatique

Une régulation de la tension automatique est nécessaire lorsque le courant de fuite est supérieur à 10 mA.

## Entrée d'air/Ventilation

Ne faites fonctionner la sècheuse que lorsqu'elle est raccordée à une conduite de ventilation adaptée et que la ventilation est suffisante.

Veillez consulter les instructions d'installation ci-jointes.

## Raccordement vapeur









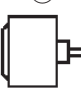



Seul un installateur qualifié peut procéder au raccordement vapeur.

Veillez prendre connaissance des instructions d'installation ci-jointes.

Vous pouvez vous procurer la valve de production de vapeur ainsi que le purgeur de condensat auprès de Miele.

	<b>PT 825x</b>	<b>PT833x</b>	<b>PT 840X</b>	<b>PT 850X</b>
Hauteur	55 1/8 po (1 400 mm)	55 1/8 po (1 400 mm)	55 1/8 po (1 400 mm)	64 9/16 po (1 640 mm)
Largeur	35 11/16 po (906 mm)	35 11/16 po (906 mm)	35 11/16 po (906 mm)	47 1/2 po (1 206 mm)
Profondeur	33 po (836 mm)	40 1/8 po (1 019 mm)	45 3/16 po (1 148 mm)	39 7/16 po (1 002 mm)
Profondeur de l'appareil lorsque la porte est ouverte	57 11/16 po (1 466 mm)	65 po (1 649 mm)	70 po (1 778 mm)	70 po (1 778 mm)
Poids	326/330 lb (148/149,5 kg)	297/369 lb (134,5/167,5 kg)	420/416/475 lb (190,5/188,5/215,5 kg)	525/526/584 lb (238/238,5/265 kg)
Volume du tambour	66 gal (250 l)	86 gal (325 l)	106 gal (400 l)	132 gal (500 l)
Poids maximal des articles secs	28,7 lb (13 kg)	35,3 lb (16 kg)	44,1 lb (20 kg)	55,1 lb (25 kg)
Tension (en volts)	voir la plaque signalétique			
Charge nominale (en watts)	voir la plaque signalétique			
Courant (ampères)	voir la plaque signalétique			
Certificats	voir la plaque signalétique			
Charge de plancher maximale	368/371 lb (1 636/1 651 N)	417/424 lb (1 857/1 886 N)	480/482/541 lb (2 136/2 143/2 408 N)	608/609/667 lb (2 703/2 708/2 968 N)
Niveau de bruit en dB (A)	< 70	< 70	< 70	< 70

# Guide des symboles de la plaque signalétique

Model	①				
SN:	②				
Art.-Nr.	③	⑮ 	⑯ 	⑰ IBN	
Mat.-Nr.	④	⑱ 	⑲ 	Total	Total
○	⑤		○		
○			○		
○			○		
○			○		
	⑥		⑳		
	⑦				
			㉑		
⑧ 	 $\varnothing$ $\leftarrow$ $\rightarrow$	⑨	$Q_n$ (Hi)	㉒	
		⑩			
	Vol./G	⑪			
	E kin	⑫			
	0 $\rightarrow$ $\rightarrow$ $\rightarrow$	⑬ /min			
⑭ $\rightarrow$ $\rightarrow$ $\rightarrow$ 0	⑬ /min				
		IP X4	㉓		
		CE			

Model	
SN:	/ ○ ○ ○ ○ ○ ○ ○ ○ ○ ○
Art.-Nr.	Mat.-Nr.
IBN	

- 1 Modèle
- 2 Numéro de série
- 3 Numéro d'article
- 4 Numéro de produit
- 5 Tension/Fréquence
- 6 Disjoncteur de commande
- 7 Moteur
- 8 Données sur le tambour
- 9 Diamètre du tambour/Profondeur du tambour
- 10 Vitesse d'essorage
- 11 Volume du tambour/Poids des articles secs
- 12 Énergie cinétique
- 13 Temps d'accélération
- 14 Temps de décélération
- 15 Chauffage
- 16 Nom/Année de fabrication
- 17 Date de mise en service
- 18 Chauffage électrique
- 19 Disjoncteur du panneau de commande du bâtiment
- 20 Chauffage à vapeur indirecte
- 21 Chauffage à vapeur directe
- 22 Chauffage à gaz
- 23 Certifications



## 1. Triez les articles

Certains tissus ne peuvent pas être séchés dans une sècheuse à culbutage. Suivez les instructions du fabricant figurant sur les étiquettes d'entretien des articles.

- ☉ = Séchage à température normale
- ☉ = Séchage à basse température
- ☒ = Ne pas sécher à la machine
- Triez les articles selon le tissu et la couleur.

## 2. Mettez la sècheuse sous tension et placez les articles dans le tambour

- Appuyez sur la touche I "Marche" pour mettre la sècheuse en marche.
- Ouvrez la porte de la sècheuse et mettez les articles dans le tambour sans les compacter.

## 3. Tournez le bouton rotatif pour sélectionner un programme.

Les programmes peuvent varier selon les options disponibles sur votre appareil.

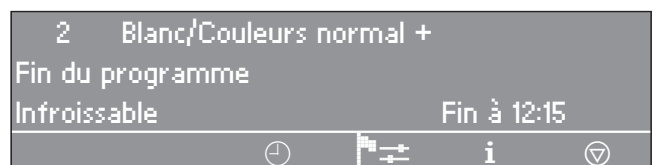
- 1 **Blanc/Couleurs intensif** 0%
- 2 **Blanc/Couleurs normal +** 0%
- 3 **Blanc/Couleurs normal** 20%
- 4 **Blanc/Couleurs normal** 25 %
- 5 **Blanc/Couleurs normal** 40 %
- 6 **Non repassable normal +** 0 %
- 7 **Non repassable normal** 10 %
- 8 **Non repassable normal** 20 %
- 9 **Laine** 5 min.
- 10 **Fin** 20 %
- 11 **Minuterie froid** 15 min.
- 12 **Minuterie chaud** 20 Min.
- 13 **Imprégnation**
- 14 **Outdoor**

## 4. Appuyez sur la touche "Marche" pour lancer le programme.

## 5. Lorsque le programme est terminé, un message s'affiche à l'écran et la sonnerie retentit.

## 5. La sonnerie retentit pour indiquer que le programme est terminé.

- Ouvrez la porte du tambour et retirez les articles.



## 6. Après le séchage

- Fermez la porte de l'appareil.
- Nettoyez le filtre à charpie si nécessaire.





**Canada**  
**Importer**  
**Miele Limited**

**Professional Division**

161 Four Valley Drive  
Vaughan, ON L4K 4V8  
Phone: 1-888-325-3957  
Fax: 1-800-803-3366  
[www.mieleprofessional.ca](http://www.mieleprofessional.ca)  
[professional@miele.ca](mailto:professional@miele.ca)

**Miele Professional Technical Service**

Phone: 1-888-325-3957  
Fax: 1-800-803-3366  
[serviceprofessional@miele.ca](mailto:serviceprofessional@miele.ca)

**Germany**  
**Manufacturer**

Miele & Cie. KG  
Carl-Miele-Straße 29  
33332 Gütersloh