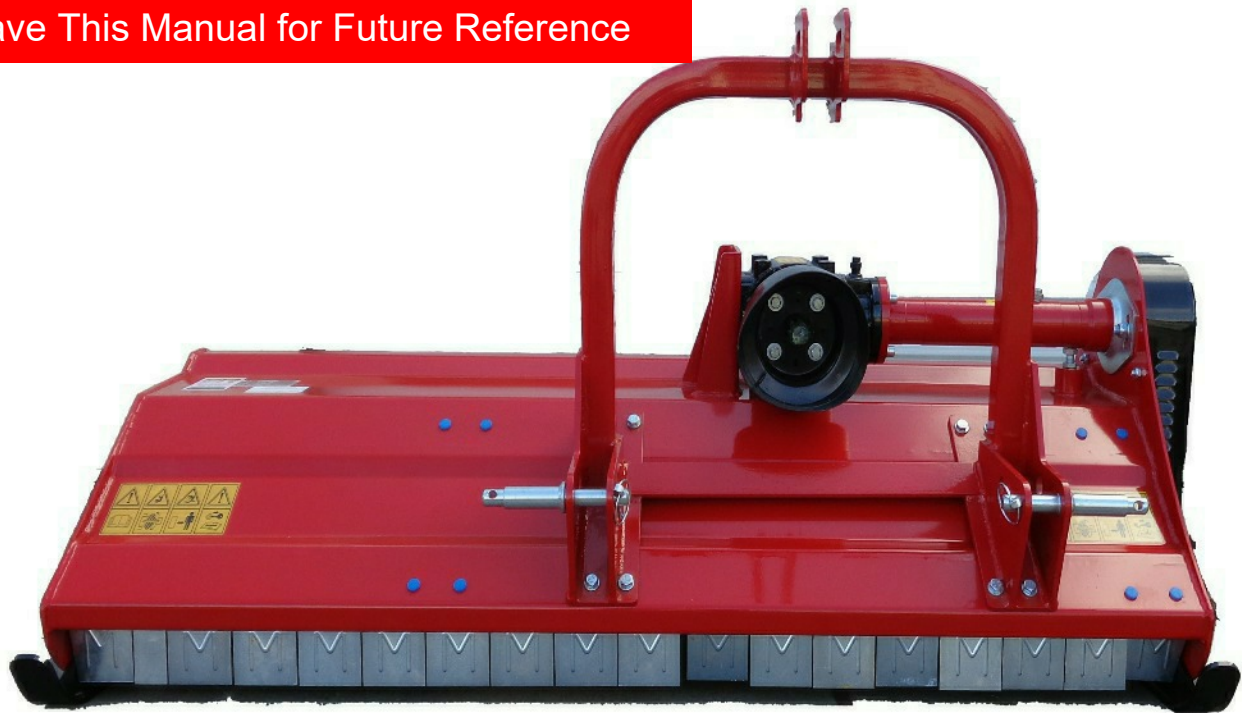


MFCMAD & MADH ROUGH DUTY FLAIL MOWER



Rugged Labor Saving Equipment Since 1995

Save This Manual for Future Reference



OPERATION & PARTS MANUAL

Please read these instructions carefully before using! Always grease Slide channel be sure to always check and fill with hydraulic oil before operating! Retain this manual for future reference.



Betstco
83371 Melton Rd., Creswell OR 97426

Phone: 541-895-3083
www.betstco.com

Specifications subject to change without notice.

REMOVE LIFT ARM SWAY (FREE PLAY) BEFORE OPERATION.

ASSEMBLY INSTRUCTION

BETSTCO

DL-MF200MC Series Assembly Instructions

Step # 0: Removing Unit from Shipping Frame

Tools Needed



Angle Grinder or Metal cutting tool



BETSTCO

DL-MF200MC Series Assembly Instructions

Step # 1: Lube Grease Zerk Under Belt Cover

Tools Needed



Angle Grinder or Metal cutting tool



BETSTCO

DL-MF200MC Series Assembly Instructions

Step # 2: Install Belt Cover

Tools Needed



16mm Socket & 17mm Wrench



BETSTCO

DL-MF200MC Series Assembly Instructions

Step # 2: Install Belt Cover

Tools Needed



Belt Cover



ASSEMBLY INSTRUCTION



BETSTCO

DL-MF200MC Series Assembly Instructions

Step # 3: Install 3-Point Hoop

Tools Needed



18mm Socket & 19mm Wrench

BETSTCO

DL-MF200MC Series Assembly Instructions

Step # 3: Install 3-Point Hoop

Tools Needed



3-Point Hoop, Plates, & Bolts



ASSEMBLY INSTRUCTION



UL-MF200MC Series Assembly Instructions

Step # 4: Fill Gear Oil

Tools Needed



80-90 Weight Gear Oil



UL-MF200MC Series Assembly Instructions

Step # 5: Lube Grease Zerks

Tools Needed



Grease Gun



UL-MF200MC Series Assembly Instructions

Step # 6: Lube PTO Shaft

Tools Needed



Grease Gun



ASSEMBLY INSTRUCTION



DL-MF200MC Series Assembly Instructions

Step # 7: Install Lift Pins

Tools Needed

No Tools Needed



DL-MF200MC Series Assembly Instructions

Step # 7: Install Lift Pins

Tools Needed



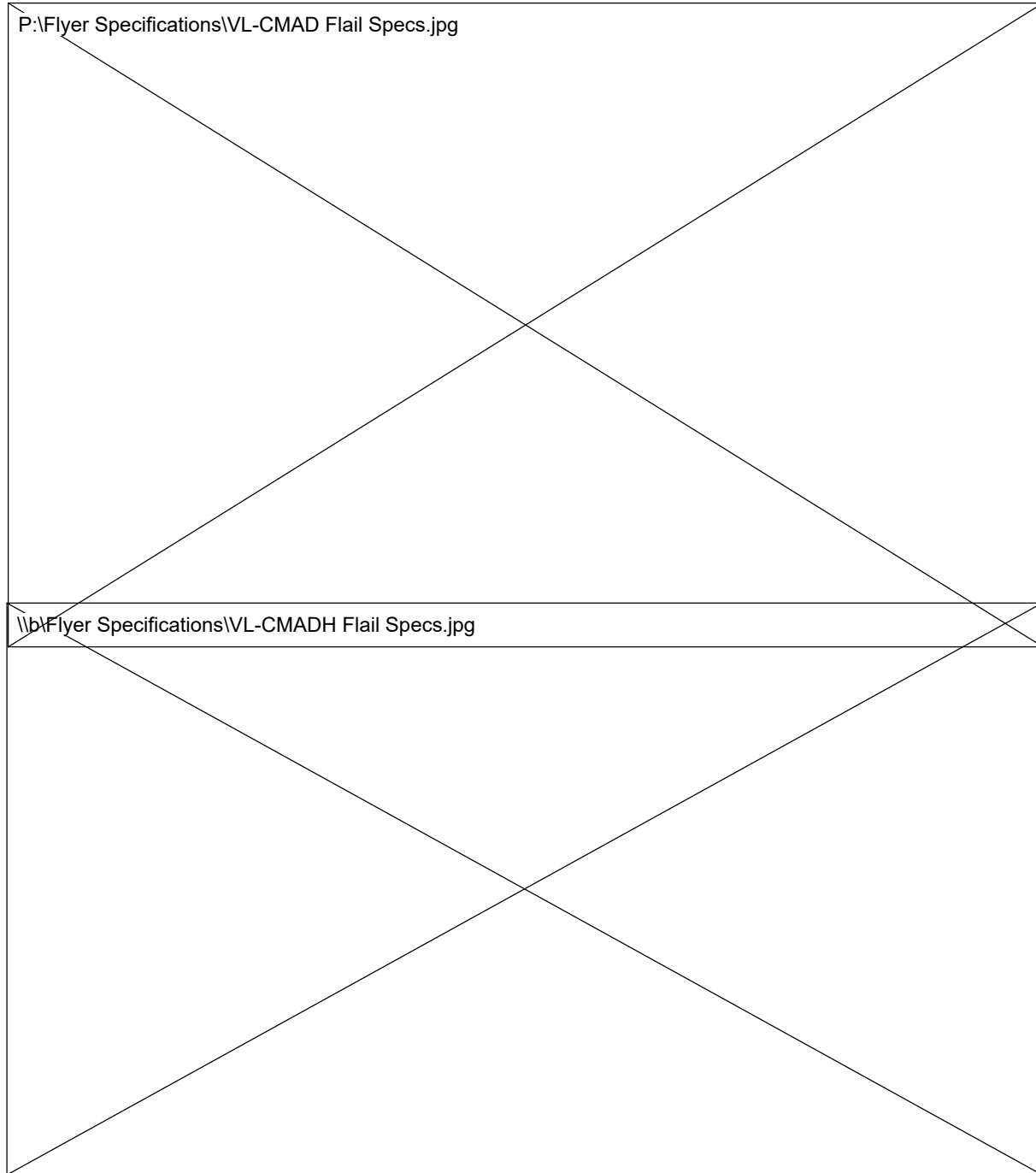
Lift Pins



Contact our support desk for any questions or concerns at
(541)895-3083

PRODUCT SPECIFICATIONS

Product No.



Uses:

Perfect for use after storms when debris is scattered throughout areas usually maintained with normal mowers ~ Multi-purpose machines for mulching foliage and sticks ~ ideal for thick grass, sticks, undergrowth and light vine mulching ~ vegetable & pasture topping ~ roadside maintenance.

Features:

Cutting height controlled by adjustable skids ~ high strength mulching blades ~ belt driven ~ safety flaps to prevent debris being thrown ~ extra strong and designed with safety in mind ~ support leg for storage ~ solid hitch ~MFCMH-105/175 models include hydraulic shift kit.

SAFETY INSTRUCTIONS



Before operating the Flail Mower read the following safety instructions. Failure to comply with these warnings may result in serious injury or death.

CONGRATULATIONS! On the purchase of your new Value-Leader Flail Mower. This information is to assist you in preparing, operating and maintaining your mower. Please read and understand the information completely before operating your mower, paying special attention to all the safety details. Keep this manual handy for a ready reference.

1.1 SAFETY FIRST

YOU are responsible for the SAFE operation and maintenance of your flail mower. YOU must ensure that you and anyone else who is going to operate, maintain or work around the flail mower is familiar with the operating and maintenance procedures and related SAFETY information contained in this manual. This manual will take you step-by-step through your working day and alert you to all good safety practices that should be adhered to while operating the flail mower.

Remember, YOU are the key to safety. Good safety practices not only protect you but also the people around you. Make these practices a working part of your safety program. Be certain that EVERYONE operating this equipment is familiar with the recommended operating and maintenance procedures and follows all the safety precautions. Most accidents can be prevented. Do not risk injury or death by ignoring good safety practices.

- 1 Flail mower owners must give operating instructions to operators or employees before allowing them to operate the machine.
- 2 The most important safety feature on this equipment is a SAFE operator. It is the operator's responsibility to read and understand ALL safety and operating instructions in the manual and to follow these. All accidents can be avoided.
- 3 A person who has not read and understood all operating and safety instructions is not qualified to operate the machine. An untrained operator jeopardizes himself and bystanders to possible serious injury or death.
- 4 Do not modify the equipment in any way. Unauthorized modification may weaken the function and/or safety and could affect the life of the equipment.
- 5 Think SAFETY! Work SAFELY!

1.2 GENERAL SAFETY

1. Read the operator's manual and all safety signs carefully before operating, maintaining, adjusting or removing the flail mower.
2. Do not allow passengers to ride on the flail mower
3. Operate only at safe a distance from bystanders. Clear the area of people, especially small children, before starting.
4. Stop PTO before dismounting tractor.
5. Keep feet and hands away from under flail mower at all times.
6. Keep all shields in place. If shield removal becomes necessary for repairs, replace the shield prior to use.

SAFETY INSTRUCTIONS

7. Do not stay between the tractor and the flail Mower.
8. Do not approach the flail mower until all motion has stopped.
9. All rotary blades have the ability to discharge objects at high speeds, which could result in serious injury to bystanders or passers-by, use with extreme caution.
10. Place all controls in neutral, stop tractor engine, set park brake, remove ignition key and wait for all moving parts to stop before servicing, adjusting, repairing, attaching or removing.
11. Review safety related items annually with all personnel who will operate or maintain the Flail mower.
12. Do not operate machine if you feel unwell or physically unfit, in which case you should stop working.
13. This machine was designed with safety very much in mind. However, there is no real substitute for caution and attention in preventing accidents. Once an accident has happened, it is too late to think about what you should have done.
14. Use a tractor equipped with a Roll Over Protective Structure (ROPS). Always wear your seat belt. Serious injury or even death could result from falling off the tractor – particularly during a turnover when the operator could be pinned under the ROPS or the tractor.
15. Never exceed the limits of a piece of machinery. If its ability to do a job, or to do so safely, is in question **DON'T TRY IT.**
16. Clear working area of stones, branches or hidden obstacles that might be hooked or snagged, causing injury or damage.

1.3 OPERATING SAFETY

1. Read and understand the operator's manual and all safety signs before operating, servicing, adjusting, repairing or removing.
2. Do not allow riders.
3. Install and secure all guards and shields before starting or operating.
4. Keep hands, feet, hair and clothing away from moving parts.
5. Place all controls in neutral, stop tractor engine, set park brake, remove ignition key and wait for all moving parts to stop before servicing, adjusting, repairing, attaching or removing.
6. Place all tractor and machine controls in neutral before starting.
7. Never start or operate machine unless sitting on tractor seat.
8. Clear the area of bystanders, especially small children, before starting.
9. Stay away from PTO shaft and machine when engaging PTO. Keep others away.
10. Use warning lights on tractor when transporting.
11. Do not put hands or feet under machine while tractor engine or machine is running.
12. Do not operate flail mower in the raised position.
13. Objects can be thrown out from under machine with sufficient force to severely injure people. Stay away from machine when it is running. Keep others away.
14. Always know what you are cutting. Never operate flail mower in an area that has hidden obstacles. Remove sticks, stones, wire or other objects from working area before starting.
15. Review safety instructions with all operators annually.

SAFETY INSTRUCTIONS

1.4 STORAGE SAFETY

1. Store the machine in an area away from human activity.
2. Do not permit children to play on or around the stored machine.
3. Store the machine in a dry, level area.
4. Clean grease and oil as required and protect it from the elements.

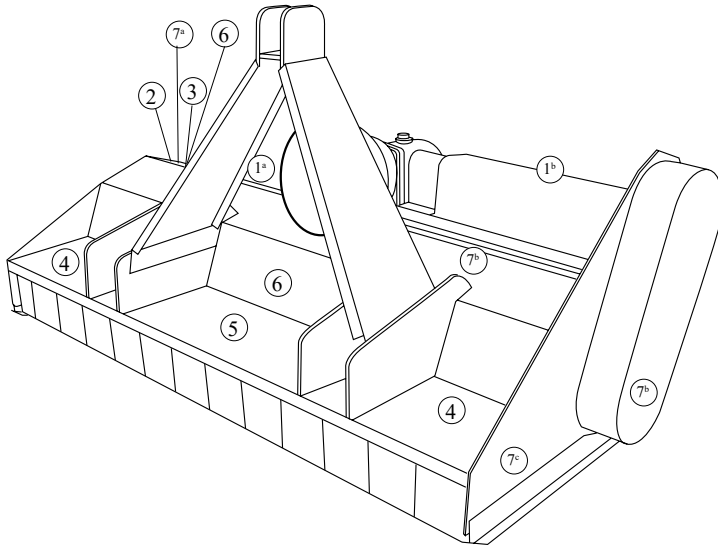
1.5 MAINTENANCE SAFETY

1. Good maintenance is your responsibility. Poor maintenance is an invitation to trouble.
2. Follow good shop practices.
3. Keep service area clean and dry.
4. Be sure electrical outlets and tools are properly grounded.
5. Use adequate light for the job at hand.
6. Make sure there is plenty of ventilation. Never operate the engine of the tractor in a closed building. The exhaust fumes may cause asphyxiation.
7. Before working on this machine, shut off the engine, set the brakes, and remove the ignition key.
8. Never work under equipment unless it is secured by a mechanical stand.
9. Use personal protection devices such as eye, hand and hearing protectors, when performing any service or maintenance work. Use heavy gloves when handling blades.
10. Only use genuine parts for service and maintenance.
11. A fire extinguisher and first aid kit should be kept readily accessible while performing maintenance on this equipment.
12. Periodically tighten all bolts, nuts and screws and check that all pins are properly installed to ensure unit is in a safe condition.
13. When completing a maintenance or service function, make sure all safety shields and devices are installed before placing machine in service.
14. Make sure to check and tighten all nuts and bolts prior to each use.
15. Make sure to lube all moving parts prior to each use.

SAFETY INSTRUCTIONS

1.6 SAFETY & MODEL DECAL

The position of safety decals are shown in the illustrations below. Good safety requires that you familiarize yourself with the various safety signs, and increase your **SAFETY AWARENESS**.



1^a MFCMAD-125

2

Model	<input type="text"/>
Serial No	<input type="text"/>

4



5



6



3 ST:

8

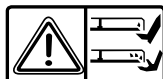


7^a



9

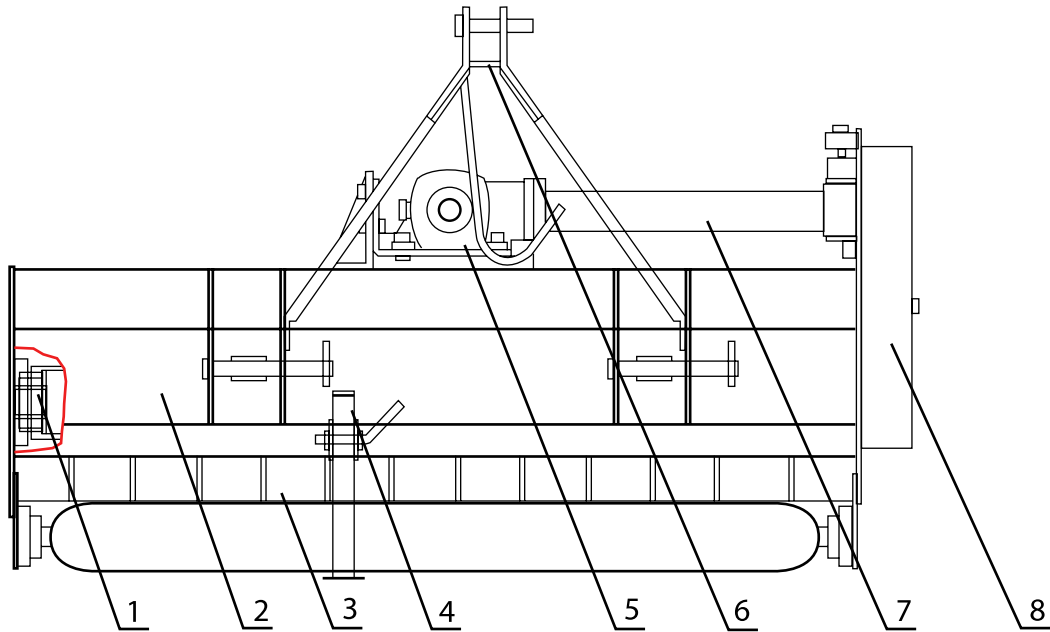
7^b



7^c

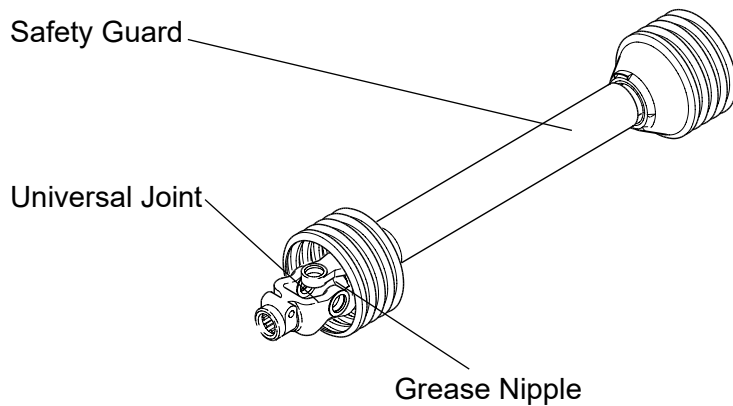


SAFETY INSTRUCTIONS



1. Blade axle	2. Blade axle cover	3. Combined fender
4. Stand	5. Gear box	6. Top Link Bracket
7. Transmission shaft		8. Belt & Pulley Cover

PTO Shaft



OPERATION

2.1 CHECKING BEFORE OPERATING

Before operating the machine, the following areas should be checked off:

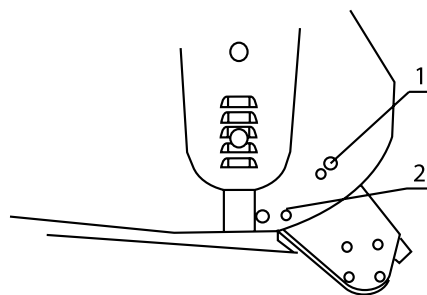
1. Before starting up the machine, check and lubricate all grease points, on the machine and drive shaft.
2. Use only an agricultural tractor with horsepower within limits of the implement.
3. Check that the machine is properly attached to the tractor. Be sure retainers are used on the mounting pins.
4. Be sure extra weights are mounted on the front of the tractor, if required.
5. Check the oil level in the gearbox. Add as required.
6. Check that the tractor PTO shaft turns freely and that the machine driving shaft can telescope easily.
7. Check the blades. Be sure they are not damaged or broken and swing freely in their mount. Repair or replace as required.
8. Check and tighten the blade bolts.
9. Check for entangled material in all rotating parts. Remove this material.
10. Install and secure all guards, doors and covers before starting.
11. Before installing the PTO ensure the engine is stopped and the PTO shaft is in safe working order.
12. All other persons shall leave the ground before connecting the driving power from the tractor. Keep the output of the tractor at 540 RPM.
13. Before cleaning, repairing and lubricating the machine, stop the motor and take the key away with you.
14. When the PTO shaft is not connected with the tractor, support it through the frame to protect it from lying in the dirt.
15. Don't approach the machine when it is operating.

2.2 ADJUSTMENTS

2.2.1 ADJUSTING THE HEIGHT

To get the most out of your flail mower, it should be set within the recommended height.

To save fuel and power, and reduce wear and tear, the cutting height must be regulated correctly.



When adjusting the working height, loosen screw (1), remove screw (2) on both sides; The roller height (see following drawing); bolt the parts on the set position. The lowest hole is the highest working height; put the screw (2) into the set hole; tighten screw (1) and screw (2).

OPERATION

2.2.2 FLAIL MOWER ADJUSTMENT

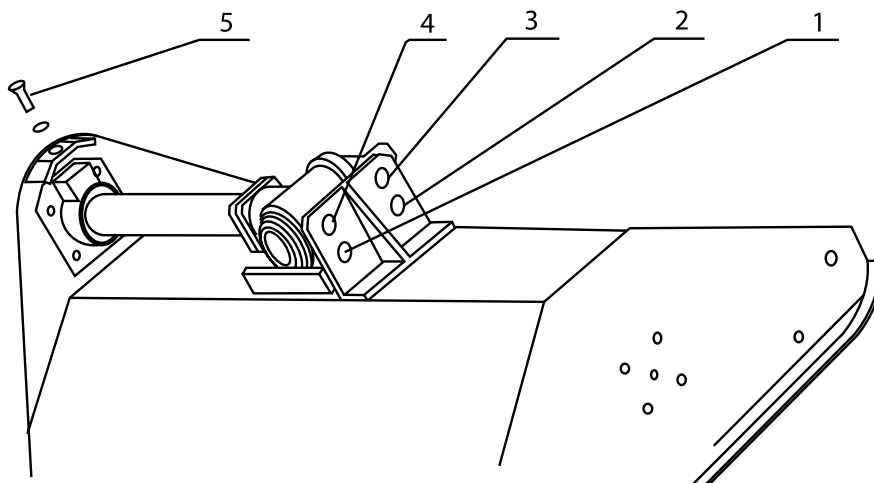
1. On a flat piece of ground, attach the flail mower to the tractor using the three point linkage
2. Use a solid adjustable top link
3. Lower the three point linkage to its lowest position
4. With the roller at the rear in contact with the ground, adjust the length of the top link so that the lower edge at the side of the flail mower is parallel with the ground
5. Rotate the blade drum by hand so that a row of blades hang vertically towards the ground.
6. Measure the clearance between the bottom of the extended blades and the ground.
 - Minimum 50 mm
 - Note in rough or lumpy paddocks the clearance needs to be increased to ensure that the blades don't impact the ground during operation.
7. Adjust the roller height to increase or decrease the blade clearance as required
8. Go through steps 4 to 7 until the required clearance is achieved.

When the flail mower has been set up with the required tolerances:

Operate the flail mower with tractor in low range and the PTO delivering 540 RPM

2.3 REGULATING THE TENSION OF DRIVING BELT

- Remove the driving belt cover.
- Loosen screws 1. 2. 3. 4
- Tighten the driving belt with screw 5.
- Tighten the screws 1. 2. 3. 4.
- Put back the driving belt cover.
- The recommended forward speed is 1.5 km/h, However, it must be varied according to the grass height, thickness and working condition.
- The driving belts are tightened by hand at the adjusting point 5 up to the correct tension. Tighten all screws after adjustment.
- The driving belts should be replaced when they are damaged or worn.

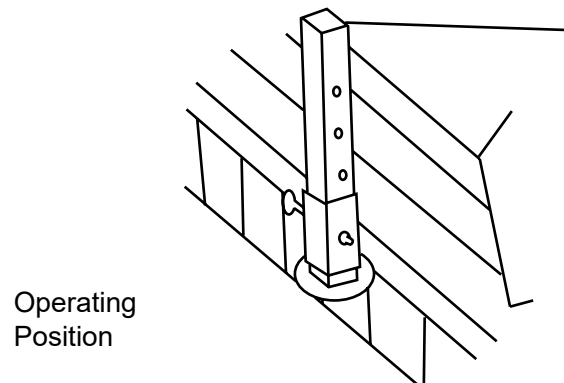
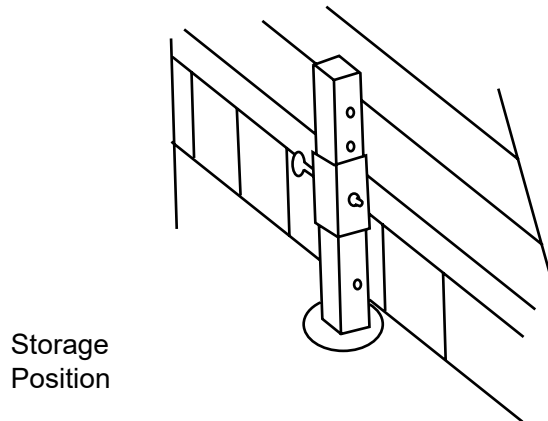


OPERATION

2.4 STARING UP

Before starting the machine, check and adjust the following items:

- Tension of trapezoidal driving belt.
- Oil level of gear.
- Grease nipples on bearings and PTO shaft.
- All bolts, nuts and screws.

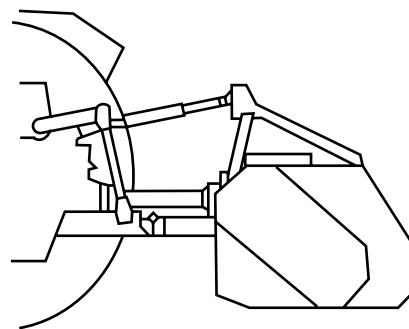
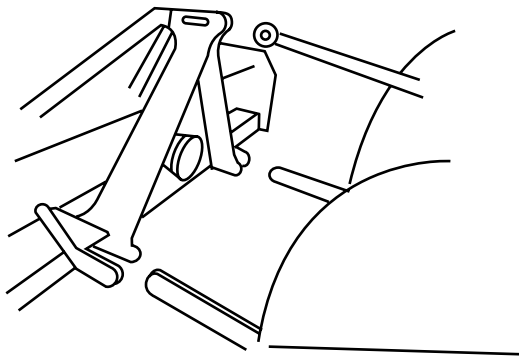


In order to keep the machine stable, lower the adjustment stand when the machine is stopped (see above drawing).

Follow all safety precaution detailed in this manual .

The machine is equipped with a standard category I , three point linkage

Back the tractor into position in front of the flail mower, lower the tractor hydraulic lift arms. Turn the tractor off. Maneuver the implement by hand and attach the lower link arms to the lower link pin. Ensure they are secured with linch pin. Attach the top link to the top link bracket. Adjust the lower link sway chains to allow minimal lateral movement. Attach the PTO shaft to the Tractor PTO ensuring it has been cut to the required length



SERVICE AND MAINTENANCE

3.1 SERVICE

3.1.1 FLUIDS AND LUBRICANTS

1. Grease:
Use multi-purpose lithium based grease.
2. Gear Box Oil:
Use SAE 90 Gear oil.
3. Storing Lubricants:
Your machine can operate at top efficiency only if clean lubricants are used. Use clean containers to handle all lubricants. Store them in an area protected from dust, moisture and other contaminants.

3.1.2 GREASING

1. Use a hand-held grease gun for all greasing.
2. Wipe grease nipple with a clean cloth before greasing, to avoid injecting dirt and grit.
3. Replace broken nipples immediately.
4. If nipples will not take grease, remove and clean thoroughly. Also clean lubricant passageway. Replace nipple if necessary.

3.2 MAINTENANCE

The period recommended is based on normal operating conditions. Severe or unusual conditions may require more frequent maintenance.

3.2.1 8 HOURS OR DAILY MAINTENANCE

- Check all nuts and bolts, tighten as required.
- Check the blade and blade bolts every day and replace the damaged parts. Don't install damaged, worn and unbalanced blade. Replace sleeves as they become worn.

NOTE:

The operator shall put on gloves and use suitable tools before changing blade.

- Check the oil in gearbox. Fill up to line if necessary.
- Pump grease into each grease nipple three to five times.
- Clean the implement; remove grass and mud.

3.2.2 SEASON MAINTENANCE

- Check the machine as in the terms of daily maintenance.
- Check the oil in gearbox; replace it if it is contaminated.
- Check the blade spindles for wear and tear. If worn, disassemble and clean them and replace them if it is necessary, grease as required.

3.2.3 ANNUAL MAINTENANCE

- Clean mud and grass off the machine thoroughly.
- Check and clean blade axles. Replace oil seals and press grease into them.
- Check all blades, replace them if they are wear-out or damaged.
- Repair the side skirts back into it's original size and shape. Replace damaged or broken protective devices.

SERVICE AND MAINTENANCE

- Drain oil from the gearbox thoroughly. Check and clean it. Fill new gear oil up to the dedicated oil level.

The oil should be drained out after the first 50 hours of operation. Then the oil shall be changed every 250 hours, or at least once a year.

The draining procedure is as follows: remove the draining bolt under the gear box, so that the oil drains off. After the oil is drained out, put back the cover and fill the gear oil up to the dedicated oil level.

	8 hrs/ Daily			40 hrs/Weekly			Annually		
Lubricate PTO Shaft	✓			✓			✓		
Lubricate Caster Wheels	✓			✓			✓		
Lubricate Blade Spindle	✓			✓			✓		
Check Gear Box Oil Level				✓			✓		
Clean Machine							✓		
Lubricate and Clean PTO Shaft Cover							✓		

3.2.4 PTO SHAFT MAINTENANCE

The PTO shaft is designed to telescope to allow for dimensional changes as the machine goes through its operating range. A tubular guard encloses the driving components and is designed to turn relative to the driving components. The shaft should telescope easily and the guard turn freely on the shaft at all times. Annual disassembly, cleaning and lubrication is recommended to ensure that all components function as intended. To maintain the shaft, follow this procedure:

1. Remove the shaft from the machine.
2. Pull shaft apart.
3. Use a screwdriver to pry the tabs out of the sleeves on each end. There are 3 tabs per guard.
4. Pull the shaft out of the plastic tubular guard.
5. Use a solvent to clean the male and female portions of the telescoping ends.
6. Apply a light coat of grease to each end.
7. Clean the grooves on each end where the tabs are located. Clean each tab also.
8. Apply a light coat of grease to each groove.
9. Insert the shaft into its respective guard and align the slots with the groove.
10. Insert the tabs through the slots and seat in the groove.
11. Check that each guard turns freely on the shaft.
12. Assemble the shaft.
13. Check that the shaft telescopes easily.
14. Replace any components that are damaged or worn.
15. Install the shaft on the machine.

SERVICE AND MAINTENANCE

3.2.5 GEARBOX MAINTENANCE

The gearbox used on the flail mower will give many years of trouble-free service with minimal maintenance requirements. Maintain the gearbox by following this procedure:

Oil level:

- Remove the level plug from the rear or side of the gearbox.
- Add oil through the filler plug located on top of gearbox until oil comes out of level plug.
- Add through the fill plug if required.
- If gearbox has a dipstick on filler plug, then fill to indicator mark.

IMPORTANT: Check the oil level only when the unit is cold and the machine is on the level.

3.3 STORAGE

- Clean the machine inside and out so as to avoid corrosion.
- Don't spray water on the rolling bearing if you clean the machine with high pressure sprayer.
- Check and clean the universal joint, driving belt press roller, or replace them if they are not in good condition.
- Spread oil on all parts required.
- Recoat the parts rubbed and damaged for anti corrosion.
- Store the machine in a dry, level area.

3.4 OPERATION AFTER STORAGE

- Before the machine is started up, check the following items regularly:
- Check oil level and add it if not enough.
- Check and tighten all screws and nuts;
- Check the blade state.
- Check the air hole on the gearbox. If it is blocked, clean or open the hole with compressed air.
- Don't spread oil or grease on the driving belts. If there is oil or grease on the belts, wipe the belts, to avoid slippage and premature wear.

Check all moving parts and replace them if necessary.

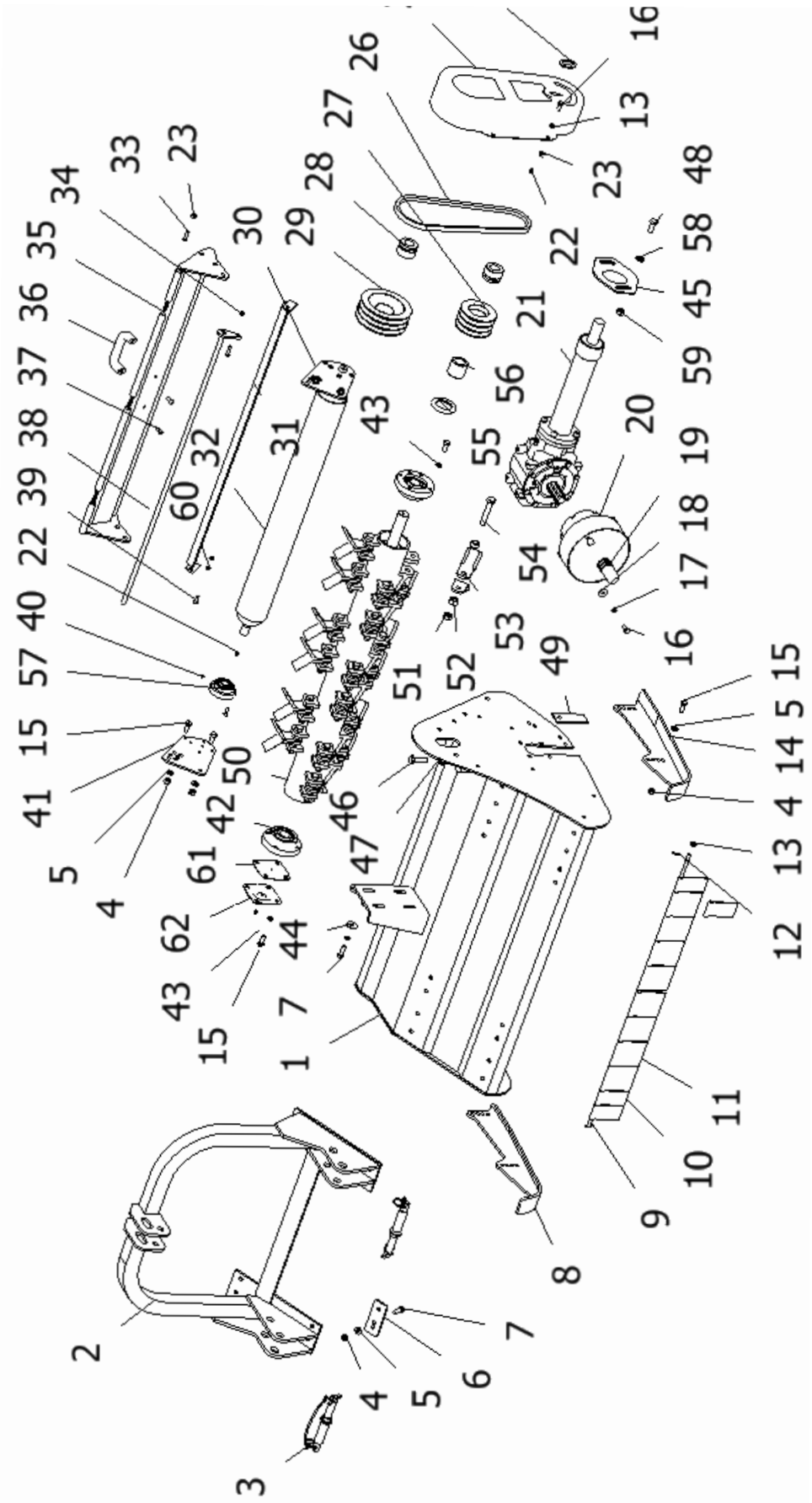
Don't remove the protective covers that protect the machine.

SERVICE AND MAINTENANCE

3.5 TROUBLE SHOOTING

FAILURE	CAUSE	SOLUTION	LEVEL OF DANGER
Excessive vibration of the machine.	Broken of flails.	Replace broken flails.	Flails can be replaced by a competent operator . In the other cases, replacement must be done by specialized staff.
	Broken of rotor support.	Replace rotor support with original parts.	
	Broken driving support shaft.	Replace shaft support with original parts.	
	The worst : bent rotor	Replace rotor with original parts.	
The grass is not cut.	Broken of flails.	Replace flails.	For replacement of flails, adjustment or replacement belts and fixing lock joints, see paragraph relating maintenance
	Belt slipping.	Adjust belt tension.	
	Broken of belts.	Replace belts.	
	Pulleys slipping on shafts.	Fixing pulley lock joints.	
	Broken gear box.	Repairing or replacement of gear box.	

VL-MFCMAD



Parts list

MFCMAD

Item	Article no.	Part no.	Name	Qty	remark
1	802000001	EFGCHMZ100.011	机罩焊合件(105型) hood (105)	1	EFGCMZ105
1(2)	802010001	EFGCHMZ110.011	机罩焊合件(115型) hood (115)	1	EFGCMZ115
1(3)	802020001	EFGCHMZ120.011	机罩焊合件(125型) hood (125)	1	EFGCMZ125
1(4)	802030001	EFGCHMZ130.011	机罩焊合件(135型) hood (135)	1	EFGCMZ135
1(5)	802040001	EFGCHMZ140.011	机罩焊合件(145型) hood (145)	1	EFGCMZ145
1(6)	802050001	EFGCHMZ150.011	机罩焊合件(155型) hood (155)	1	EFGCMZ155
1(7)	802060001	EFGCHMZ160.011	机罩焊合件(165型) hood (165)	1	EFGCMZ165
1(8)	802070001	EFGCHMZ170.011	机罩焊合件(175型) hood (175)	1	EFGCMZ175
1(9)	810020001	EFGCHMZ200.011	机罩焊合件(200型) hood (200)	1	EFGCMZ200
1(10)	810100001	EFGCHMZ220.011	机罩焊合件(220型) hood (220)	1	EFGCMZ220
2	801680014	EFGCHM120.014B	悬挂焊合件 suspension weldment	1	EFGCMZ105-175
2(1)	801740006	EFGCHM200.014	悬挂焊合件 suspension weldment	1	EFGCMZ200-220
3	802480066	EFAG140.014	下悬挂销组合件(140-180型) below suspension pin assembly(140-180)	2	EFGCMZ105-175
3(1)	702480065	EFAG140.114A	下拉杆接轴(AG140-180型) below pull rod connecting shaft(140-180)	2	EFGCMZ200-220
4	503010763	DIN985-M12	六角防松薄螺母 hexagonal locking thin nut	16	
5	506010057	GB97.1-12	平垫 plain washer	16	
6	701680001	EFGCHM120.101	夹板 spacer	4	
7	501011127	GB5783-M12x35	全螺纹螺栓 screw bolt	12	
8	801240019	EFGC120.013	左底座焊合件 left pedestal	1	
9	700940005	EF100.00.123	挡板挂杆(105型) shield hanging rod(105)	1	EFGCMZ105
9(1)	700950005	EF110.00.123	挡板挂杆(115型) shield hanging rod(115)	1	EFGCMZ115
9(2)	700960009	EF120.00.123	挡板挂杆(1280)(125型) shield hanging rod(125)	1	EFGCMZ125
9(3)	700970005	EF130.00.123	挡板挂杆(1380)(135型) shield hanging rod(135)	1	EFGCMZ135
9(4)	700980005	EF140.00.123	挡板挂杆(1480)(145型) shield hanging rod(145)	1	EFGCMZ145
9(5)	700990019	EF150.00.123	挡板挂杆(1584)(155型) shield hanging rod(155)	1	EFGCMZ155
9(6)	701000005	EF160.00.123	挡板挂杆(1684)(165型) shield hanging rod(165)	1	EFGCMZ165
9(7)	701010005	EF170.00.123	挡板挂杆(175型) shield hanging rod(175)	1	EFGCMZ175

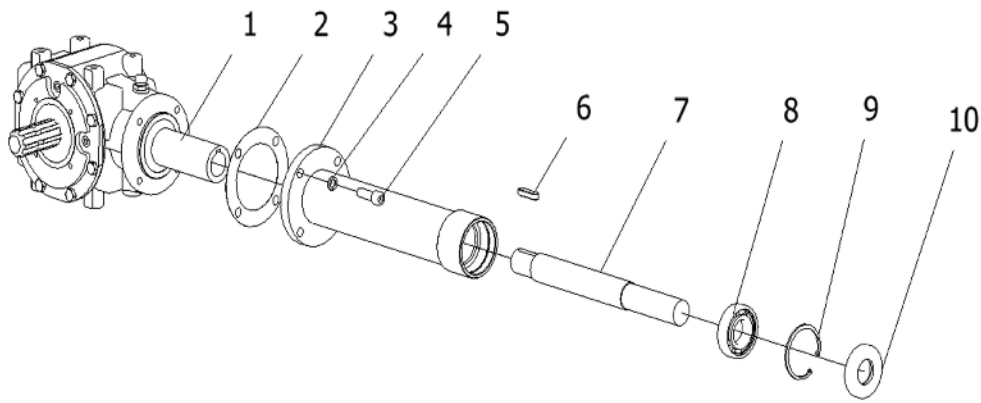
9(8)	701010006	EF200.00.123	挡板挂杆 (200 型) shield hanging rod(200)	1	EFGCMZ200
9(9)	701010007	EF220.00.123	挡板挂杆 (220 型) shield hanging rod(220)		EFGCMZ220
10	700920107	EF100.00.121	挡板 shield	4	
11	700920108	EF100.00.122	宽挡板 wide shield	8	
12	508011473	GB879.1-4x25	重型弹性圆柱销 heavy elastic cylindrical pin	2	
13	506010056	GB97.1-10	平垫 plain washer	18	
14	801240022	EFGC120.014	右底座焊合件 right pedestal weldment	1	
15	501011126	GB5783-M12x30	全螺纹螺栓 screw bolt	16	
16	501011112	GB5783-M10x25	全螺纹螺栓 screw bolt	8	
17	506030036	GB93-10	弹垫 spring washer	4	
18	506010036	GB96.1-10	加大平垫 extra large plain washer	4	
19	702420030	EF100.00.177	齿轮箱输入轴防锈套 gear box input shaft rust-roof cover	1	
20	703400008	FM120.00.199	传动轴罩 transmission shaft cover	1	
21	801240026	EFGC100.015	传动箱总成 transmission box	1	EFGCMZ105-115
21(1)	801240027	EFGC130.015	传动箱总成 transmission box	1	EFGCMZ125-175
21(2)	802520114	EFGCH200.021A-X	传动箱总成 transmission box	1	EFGCMZ200-220
22	509010008	GB1152-M8X1	油杯 oil cup	4	
23	503010310	GB6184-M10	全金属防松螺母 all metal locking nut	6	
24	701240046	EFGC120.138	U形盖 U cover	1	
25	701250006	EFGC120.111	皮带轮防护罩(三槽) (H=100) belt pulley shield cover	1	EFGCMZ105-175
25(1)	706160004	EFGC200.111	皮带轮防护罩(H=120) belt pulley shield cover	1	EFGCMZ200-220
26	514010001	17X991	齿形带 cog belt	3	
27	701160006	EFG120.105A	小皮带轮(三槽) small belt pulley (three cell)	1	
28	515010001	REACH04-35X60	涨套 power lock cover	2	EFGCMZ105-175
28(1)	515010007	REACH04-45X60	涨套 power lock cover	2	EFGCMZ200-220
29	701160007	EFG120.106A	大皮带轮(三槽) Big belt pulley (three cell)	1	
30	801160004	EFG120.018	左滚筒支撑板(焊合件) Left roller supporting plate	1	
31	801140008	EFG100.024	刮泥板焊合件(105型) (L=1040) Scraper weldment (105)	1	EFGCMZ105
31(1)	801150008	EFG110.024	刮泥板焊合件(115型) (L=1140) Scraper weldment (115)	1	EFGCMZ115
31(2)	801160030	EFG120.024	刮泥板焊合件(125型) (L=1240)	1	EFGCMZ125

			Scraper weldment (125)		
31 (3)	801170008	EFG130.024	刮泥板焊合件(135型)(L=1340) Scraper weldment (135)	1	EFGCMZ135
31 (4)	801180008	EFG140.024	刮泥板焊合件(145型)(L=1440) Scraper weldment (145)	1	EFGCMZ145
31 (5)	801190008	EFG150.024	刮泥板焊合件(155型)(L=1540) Scraper weldment (155)	1	EFGCMZ155
31 (6)	801200008	EFG160.024	刮泥板焊合件(165型)(L=1640) Scraper weldment (165)	1	EFGCMZ165
31 (7)	801210008	EFG170.024	刮泥板焊合件(175型)(L=1740) Scraper weldment (175)	1	EFGCMZ175
31 (8)	801130012	EFG200.024	刮泥板焊合件(200型)(L=1990) Scraper weldment (200)	1	EFGCMZ200
31 (9)	801130013	EFG220.024	刮泥板焊合件(220型)(L=2190) Scraper weldment (220)	1	EFGCMZ220
32	801140017	EFG100.012	滚筒焊合件(105型)(L=1227) Roller weldment (105)	1	EFGCMZ105
32 (1)	801150004	EFG110.012	滚筒焊合件(115型)(L=1127) Roller weldment (115)	1	EFGCMZ115
32 (2)	801160017	EFG120.012	滚筒焊合件(125型)(L=1227) Roller weldment (125)	1	EFGCMZ125
32 (3)	801170004	EFG130.012	滚筒焊合件(135型)(L=1327) Roller weldment (135)	1	EFGCMZ135
32 (4)	801180004	EFG140.012	滚筒焊合件(145型)(L=1427) Roller weldment (145)	1	EFGCMZ145
32 (5)	801190004	EFG150.012	滚筒焊合件(155型)(L=1527) Roller weldment (155)	1	EFGCMZ155
32 (6)	801200004	EFG160.012	滚筒焊合件(165型)(L=1627) Roller weldment (165)	1	EFGCMZ165
32 (7)	801210004	EFG170.012	滚筒焊合件(175型)(L=1727) Roller weldment (175)	1	EFGCMZ175
32 (8)	801160036	EFG200.012	滚筒焊合件(200型)(L=1977) Roller weldment (200)	1	EFGCMZ200
32 (9)	801160041	EFG220.012	滚筒焊合件(220型)(L=2177) Roller weldment (220)	1	EFGCMZ220
33	501011101	GB5783-M8x30	全螺纹螺栓 screw bolt	3	
34	503010761	DIN985-M8	六角防松薄螺母 hexagonal locking thin nut	3	
35	802000005	EFGCHMZ100.017	后挡板焊合件(105型) back shield(105)	1	EFGCMZ105
35(1)	802010005	EFGCHMZ110.017	后挡板焊合件(115型) back shield(115)	1	EFGCMZ115
35(2)	802020005	EFGCHMZ120.017	后挡板焊合件(125型)	1	EFGCMZ125

			back shield(125)		
35(3)	802030005	EFGCHMZ130.017	后挡板焊合件(135型) back shield(135)	1	EFGCMZ135
35(4)	802040005	EFGCHMZ140.017	后挡板焊合件(145型) back shield(145)	1	EFGCMZ145
35(5)	802050005	EFGCHMZ150.017	后挡板焊合件(155型) back shield(155)	1	EFGCMZ155
35(6)	802060005	EFGCHMZ160.017	后挡板焊合件(165型) back shield(165)	1	EFGCMZ165
35(7)	802070005	EFGCHMZ170.017	后挡板焊合件(175型) back shield(175)	1	EFGCMZ175
35(8)	810020005	EFGCHMZ200.017	后挡板焊合件(200型) back shield(200)	1	EFGCMZ200
35(9)	810100003	EFGCHMZ220.017	后挡板焊合件(220型) back shield(220)	1	EFGCMZ220
36	705290212	RKH120-BS	把手 handle	1	
37	505011415	GB70.1-M8x20	内六角圆柱头螺钉 hexagon socket cap screw	2	
38	802550026	AGZ-100.017	串杆焊合件(100型) strand rod(100)	1	EFGCMZ105
38(1)	802550027	AGZ-110.017	串杆焊合件(110型) strand rod(110)	1	EFGCMZ115
38(2)	802550028	AGZ-120.017	串杆焊合件(120型) strand rod(120)	1	EFGCMZ125
38(3)	802550029	AGZ-130.017	串杆焊合件(130型) strand rod(130)	1	EFGCMZ135
38(4)	802550024	AGZ-140.017	串杆焊合件(140型) strand rod(140)	1	EFGCMZ145
38(5)	802550030	AGZ-150.017	串杆焊合件(150型) strand rod(150)	1	EFGCMZ155
38(6)	802560024	AGZ-160.017	串杆焊合件(160型) strand rod(160)	1	EFGCMZ165
38(7)	802570026	AGZ-170.017	串杆焊合件(170型, L=1732) strand rod(170)	1	EFGCMZ175
38(8)	802590034	AGZ-200.017	串杆焊合件(200型) strand rod(200)	1	EFGCMZ200
38(9)	802600034	AGZ-220.017	串杆焊合件(220型) strand rod(220)	1	EFGCMZ220
39	501030185	GB70.3-M8x25	内六角沉头螺钉 Hexagon socket sunk screw	10	
40	509010007	GB1152-M6	油杯 oil cup	2	
41	801160001	EFG120.017	右滚筒支撑板(焊合件) right roller support plate	1	

42	511040033	UC207-Z	带座轴承 mounted bearing	2	EFGCMZ105-175
42(1)	511040009	UC208	带座轴承(圆) mounted bearing	2	EFGCMZ200-220
43	506030037	GB93-12	弹垫 spring washer	12	
44	506010037	GB96.1-12	加大平垫 extra large plain washer	4	
45	701240007	EFGC120.102A	张紧板 tensioning plate	1	EFGCMZ105-175
45(1)	706160003	EFGC200.102	张紧板 tensioning plate	1	EFGCMZ200-220
46	501011905	GB5786-M16x1.5x50	细牙全螺纹螺栓 fin thread screw bolt	1	
47	503010137	GB6173-M16x1.5	细牙薄螺母 fin tread thin nut	1	
48	501011141	GB5783-M14x35	全螺纹螺栓 screw bolt	2	
49	701160033	EFG120.103	槽口挡板 rabbet shield	1	
50	801140010	EFG100.013A	刀轴焊合件(105型)(L=1003) blade shaft (105)	1	EFGCMZ105
50(1)	801150010	EFG110.013A	刀轴焊合件(115型)(L=1103) blade shaft (115)	1	EFGCMZ115
50(2)	801160038	EFG120.013A	刀轴焊合件(125型)(L=1203) blade shaft (125)	1	EFGCMZ125
50(3)	801170010	EFG130.013A	刀轴焊合件(135型)(L=1303) blade shaft (135)	1	EFGCMZ135
50(4)	801180010	EFG140.013A	刀轴焊合件(145型)(L=1403) blade shaft (145)	1	EFGCMZ145
50(5)	801190010	EFG150.013A	刀轴焊合件(155型)(L=1503) blade shaft (155)	1	EFGCMZ155
50(6)	801200010	EFG160.013A	刀轴焊合件(165型)(L=1603) blade shaft (165)	1	EFGCMZ165
50(7)	801210010	EFG170.013A	刀轴焊合件(175型)(L=1703) blade shaft (175)	1	EFGCMZ175
50(8)	802080080	EFG200.013A-G2	刀轴焊合件(200型用) blade shaft (200)	1	EFGCMZ200
50(9)	802080085	EFG220.013A-G2	刀轴焊合件(220型) blade shaft (220)	1	EFGCMZ220
51	503010765	DIN985-M16	六角防松薄螺母 Hexagon locking thin nut	24	
52	701240008	EFGC120.103	刀座隔套 blade apron spacer bush	48	
53	701240009	EFGC120.104	刀(Y) blade	48	
54	501011565	GB5785-M16x1.5x90	细牙半螺纹螺栓 fin thread half thread bolt	24	
55	510020417	GB13871-FB-55x80x8	FB型油封 FB oil seal	1	EFGCMZ105-175
55(1)	510020397	CFW-60X85X8	FB型油封(进) FB oil seal	1	EFGCMZ200-220
56	705380013	RK120.109	油封套(EFG95-125)(L=33) oil seal cover	1	EFGCMZ105-175
56(1)	702080005	G2-150.105	油封套 oil seal cover	1	EFGCMZ200-220

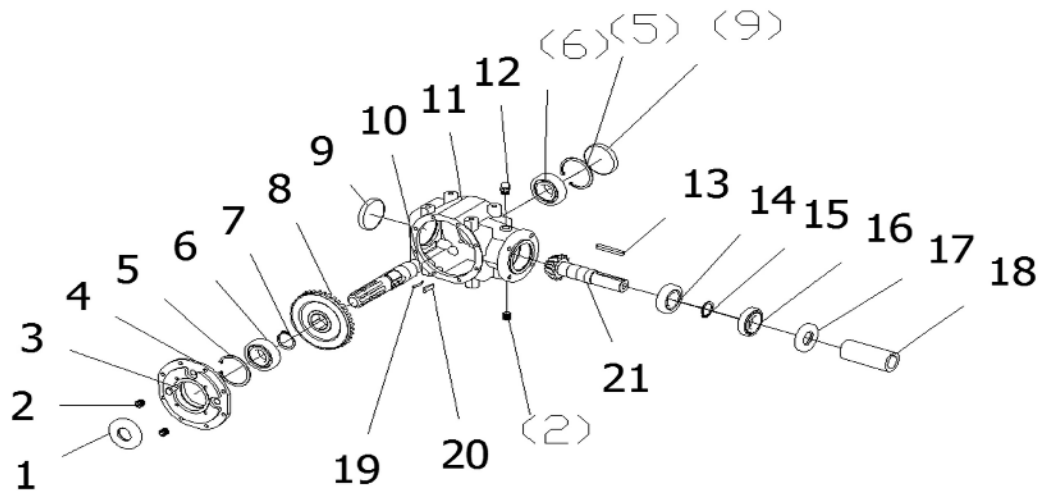
57	511040007	EF100.00.012	法兰座轴承 UC205 Flange seat bearing UC205	2	
58	506010058	GB97.1-14	平垫 plain washer	2	
59	503010764	DIN985-M14	六角防松薄螺母 hexagon locking thin nut	2	
60	506010055	GB97.1-8	平垫 plain washer	2	
61	701520010	EFG120.169	黄油嘴盖纸垫 grease nipple cover paper washer	1	
62	701520006	EFG120.168	黄油嘴盖 grease nipple cover	1	



Gear box assembly

Item	Article no.	Part no.	Name	Qty	remark
1	801240040	XH50. 300Z. 02W	齿轮箱总成(EFGC884) gear box	1	EFGCHMZ105-175
1 (2)	801380003	XH50. 300Z. 02-200	齿轮箱总成(EFGCM200) gear box	1	EFGCHMZ200-220
2	701240024	EFGC120. 131	纸垫 paper washer	1	
3	801220004	EFGC100. 018A	轴管焊合件(EFGC100-110) (L=358) Shaft tube(EFGC100-110)	1	EFGCHMZ105-115
3(1)	801240004	EFGC120. 018A	轴管焊合件(EFGC120-170) (L=444) Shaft tube(EFGC120-170)	1	EFGCHMZ125-175
3(2)	801600032	EFGCH200. 026A	轴管焊合件(EFGCHZ/M/H-200) (L=640) Shaft tube(EFGCHZ/M/H-200)	1	EFGCHMZ200-220
4	506030037	GB93-12	弹垫 spring washer	4	
5	505011445	GB70. 1-M12x35	内六角圆柱头螺钉 Hexagon socket cap screw	4	
6	507010086	GB1096-A-10x8x40	A型平键 A flat key	1	
7	701220003	EFGC100. 133A	轴(EFGC105-115型) (L=354) shaft(EFGC105-115)	1	EFGCHMZ105-115
7(1)	701250003	EFGC130. 133A	轴(EFGC135-175) (L=440) shaft(EFGC135-175)	1	EFGCHMZ125-175
7(2)	701600034	EFGCH200. 166B	轴(EFGCHZ/M/H-200) (L=638) shaft(EFGCHZ/M/H-200)	1	EFGCHMZ200-220
8	511021528	GB276-6207-2RS	深沟球轴承-2RS Deep groove ball bearing	1	EFGCHMZ105-175
8(1)	511021667	GB276-6208-2RS	深沟球轴承-2RS Deep groove ball bearing	1	EFGCHMZ200-220
9	506060188	GB893. 1-72	A型孔用挡圈 A check ring	1	EFGCHMZ105-175
9(1)	506060191	GB893. 1-80	A型孔用挡圈 A check ring	1	EFGCHMZ200-220

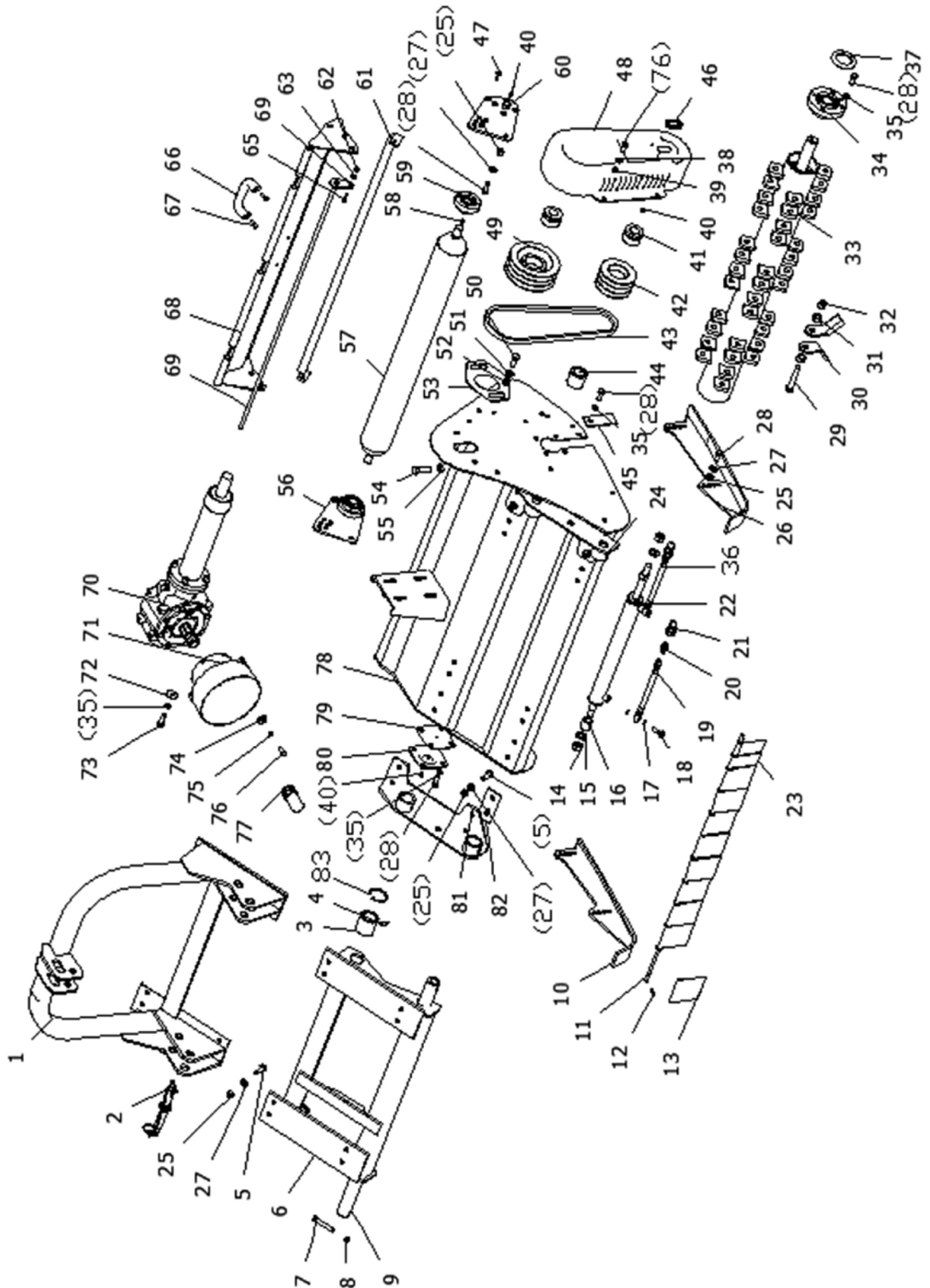
GEARBOX



齿轮箱总成

序号	品号	零件代号	名称	数量	备注
1	510020638	GB13871-FB-35x80x10	FB 型油封 FB oil seal	1	
2	516010003	ZBT32001.3-ZG3/8-19"	内六角锥形螺塞 hexagon socket tapered plug	3	
3	501011112	GB5783-M10x25	全螺纹螺栓 Screw bolt	8	
4	702480003	AG14.01.C03	311 壳体盖 shell cap	1	
5	506060191	GB893.1-80	A 型孔用挡圈 A check ring	2	
6	511022654	GB276-6307	深沟球轴承 Deep groove ball bearing	2	
7	506060322	GB894.1-42	A 型轴用挡圈 A shaft check ring	1	
8	702480005	AG14.01.C05	主动齿轮 driving gear	1	EFGCMZ105 175
8(1)	702080002	AG14.01.C05-G2	主动齿轮 driving gear	1	EFGCMZ200-220
9	703340013	NFG-RCA-80X10	堵盖 80X10 blanking cap	2	
10	701240041	GC175.01.C04A	输入轴 input shaft	1	
11	702480003	AG14.01.C03	311 壳体盖 shell cap	1	
12	705290211	CBW 00 011B	ZG3/8 通气螺塞总成 air plug screw	1	
13	507010091	GB1096-A-10X8X70	A 型平键 A flat key	1	
14	511016440	GB297-32207	圆锥滚子轴承 Tapered roller bearing	1	
15	506060515	JB1342 35	加厚轴用挡圈 Check ring	1	
16	511016411	GB297-30207	圆锥滚子轴承 Tapered roller bearing	1	
17	510020398	CFW-35X72X10	FB 型油封 (进) FB oil seal	1	
18	701240025	EFGC120.132	连接套 Connecting sleeve	1	
19	702480007	AG14.01.C07	弹簧片 leaf spring	1	
20	702480006	AG14.01.C06	键 key	3	
21	702480001	AG14.01.C01	输出轴齿轮 output shaft gear	1	EFGCMZ105 175
21(1)	702080001	AG14.01.C01 G2	输出轴齿轮 output shaft gear	1	EFGCMZ200 220

VL-MFCMADH



Parts list

MECMADH

Item	Article no.	Part no.	Name	Qty	remark
1	801680014	EFGCHM120. 014B	悬挂焊合件 suspension	1	
2	802480066	EFAG140. 014	下悬挂销组合件(140-180 型) below suspension pin assembly	2	EFGCHMZ105-175
2(1)	702480065	EFAG140. 114A	下拉杆接轴(AG140-180 型) below pull rod connecting shaft	2	EFGCHMZ200-220
3	701600028	EFGCH120. 103	尼龙套 nylon cover	4	
4	509010017	GB1153-M6X45°	接头式压注油杯 Forced filling oil cup	4	
5	501011128	GB5783-M12x40	全螺纹螺栓 screw bolt	16	
6	801680009	EFGCHM120. 013	滑动架焊合件 shifting frame weldment	1	
7	501011121	GB5783-M10x70	全螺纹螺栓 screw bolt	4	
8	503010046	GB6170-M10	六角螺母 hexagon nut	4	
9	701600030	EFGCH120. 104	导轨(1200-1700) (L=1218) guide rail	2	EFGCHM105-175
9(1)	701600031	EFGCH120. 104A	导轨(L=1342) guide rail	2	EFGCHM200-220
10	801240019	EFGC120. 013	左底座焊合件 left pedestal weldment	1	
11	700940005	EF100. 00. 123	挡板挂杆(105 型) shield	1	EFGCHMZ105
11(1)	700950005	EF110. 00. 123	挡板挂杆(115 型) shield hanging rod(115)	1	EFGCHMZ115
11(2)	700960009	EF120. 00. 123	挡板挂杆(1280) (125 型) shield hanging rod(125)	1	EFGCHMZ125
11(3)	700970005	EF130. 00. 123	挡板挂杆(1380) (135 型) shield hanging rod(135)	1	EFGCHMZ135
11(4)	700980005	EF140. 00. 123	挡板挂杆(1480) (145 型) shield hanging rod(145)	1	EFGCHMZ145
11(5)	700990019	EF150. 00. 123	挡板挂杆(1584) (155 型) shield hanging rod(155)	1	EFGCHMZ155
11(6)	701000005	EF160. 00. 123	挡板挂杆(1684) (165 型) shield hanging rod(165)	1	EFGCHMZ165
11(7)	701010005	EF170. 00. 123	挡板挂杆(175 型) shield hanging rod(175)	1	EFGCHMZ175
11(8)	701010006	EF200. 00. 123	挡板挂杆 (200 型) shield hanging rod(200)	1	EFGCHMZ200
11(9)	701010007	EF220. 00. 123	挡板挂杆 (220 型) shield hanging rod(220)	1	EFGCHMZ220
12	508011473	GB879. 1-4x25	重型弹性圆柱销 heavy elastic cylindrical pin	2	
13	700920108	EF100. 00. 122	宽挡板 Wide board	9	
14	503010314	GB6184-M18	全金属防松螺母 all metal locking nut	3	

Parts list

MFCMADH					
15	506010060	GB97.1-18	平垫 plain washer	2	
16	701600026	EFGCH120.101	隔套 spacer bush	1	
17	516010004	TDQ-12	铜垫圈 copper washer	4	
18	501014706	GB3541-M12X1.25	铰接螺栓 joint bolt	2	
19	701600001	EFGCH120.011	油管(1500) pipe line	1	
20	705380114	RK120.401	转接头 adapter	2	
21	703820055	QUTCK-COUPLING-G1/2-G	快换公接头 G1/2 quick change pin end	2	
22	701600002	EFGCH120.012	滑移油缸(200型以下用) Shifting cylinder	1	EFGCHMZ105-175
22(1)	701600004	EFGCH120.012B	滑移油缸(200型或200型以上用) Shifting cylinder	1	EFGCHMZ200-220
23	700920107	EF100.00.121	挡板 shield	2	
24	801680007	EFGCHM120.012	右连接架焊合件 right connector weldment	1	
25	503010311	GB6184-M12	全金属防松螺母 All metal locking nut	24	
26	801240022	EFGC120.014	右底座焊合件 Right pedestal weldment	1	
27	506010057	GB97.1-12	平垫 plain washer	24	
28	501011126	GB5783-M12x30	全螺纹螺栓 screw bolt	17	
29	501011565	GB5785-M16x1.5x90	细牙半螺纹螺栓 fin thread half thread bolt	24	
30	701240009	EFGC120.104	刀(Y) blade	48	
31	701240008	EFGC120.103	刀座隔套 blade apron spacer bush	48	
32	503010313	GB6184-M16	全金属防松螺母 All metal locking nut	24	
33	801140010	EFG100.013A	刀轴焊合件(105型)(L=1003) Blade shaft (105)	1	EFGCHMZ105
33(1)	801150010	EFG110.013A	刀轴焊合件(115型)(L=1103) Blade shaft (115)	1	EFGCHMZ115
33(2)	801160038	EFG120.013A	刀轴焊合件(125型)(L=1203) Blade shaft (125)	1	EFGCHMZ125
33(3)	801170010	EFG130.013A	刀轴焊合件(135型)(L=1303) Blade shaft (135)	1	EFGCHMZ135
33(4)	801180010	EFG140.013A	刀轴焊合件(145型)(L=1403) Blade shaft (145)	1	EFGCHMZ145
33(5)	801190010	EFG150.013A	刀轴焊合件(155型)(L=1503) Blade shaft (155)	1	EFGCHMZ155
33(6)	801200010	EFG160.013A	刀轴焊合件(165型)(L=1603) Blade shaft (165)	1	EFGCHMZ165
33(7)	801210010	EFG170.013A	刀轴焊合件(175型)(L=1703) Blade shaft (175)	1	EFGCHMZ175
33(8)	801130019	EFG200.013A-G2	刀轴焊合件(200型) Blade shaft (200)	1	EFGCHMZ200

Parts list

MFCMADH

33(9)	802080085	EFG220.013A-G2	刀轴焊合件(220型) Blade shaft (220)	1	EFGCHMZ220
34	511040033	UC207-Z	带座轴承 mounted bearing	2	EFGCIMZ105-175
34(1)	511040009	UC208	带座轴承 mounted bearing	2	EFGCHMZ200-220
35	506030037	GB93-12	弹垫 spring washer	13	
36	701600005	EFGCH120.011A	油管(1900) oil tube(1900)	1	
37	510020417	GB13871-FB-55x80x8	FB型油封 FB oil seal	1	EFGCHMZ105-175
37(1)	510020397	CFW-60X85X8	FB型油封(进) FB oil seal	1	EFGCHMZ200-220
38	506010056	GB97.1-10	平垫 plain washer	15	
39	503010310	GB6184-M10	全金属防松螺母 All metal locking nut	4	
40	509010008	GB1152-M8x1	油杯 oil cup	4	
41	515010001	REACH04-35X60	涨套 power lock cover	2	EFGCHMZ105-175
41(1)	515010007	REACH04-45X60	涨套 power lock cover	2	EFGCZ200, 220
42	701160006	EFG120.105A	小皮带轮(三槽) small belt pulley(three cell)	1	EFGCHM105-175
42(1)	701160034	EFG120.105B	小皮带轮 Small belt pulley		EFGCHM200-220
43	514010001	17X991	齿形带 cog belt	3	
44	705380014	RK120.109A	油封套(EFG135-175)(L=48) Oil seal cover	1	EFGCHMZ105-175
44(1)	702080005	G2-150.105	油封套 Oil seal cover	1	EFGCHMZ200-220
45	701160033	EFG120.103	槽口挡板 rabbet shield	1	
46	701240046	EFGC120.138	U形盖 U cover	1	
47	501030185	GB70.3-M8x25	内六角沉头螺钉 Hexagon socket sunk screw	10	
48	701250006	EFGC120.111	皮带轮防护罩(三槽)(H=100) Belt pulley cover(three cell)	1	EFGCHMZ105-175
48(1)	706160004	EFGC200.111	皮带轮防护罩(H=120) Belt pulley cover	1	EFGCHMZ200-220
49	701160007	EFG120.106A	大皮带轮(三槽) Big belt pulley(three cell)	1	EFGCIMZ105-220
49(1)	701160040	EFG120.106B	大皮带轮 big belt pulley		EFGCHMZ200-220
50	501011141	GB5783-M14x35	全螺纹螺栓 screw bolt	2	
51	506010058	GB97.1-14	平垫 plain washer	2	
52	503010312	GB6184-M14	全金属防松螺母 all metal locking nut	2	
53	701240007	EFGC120.102A	张紧板 tensioning plate	1	EFGCIMZ105-220
53(1)	706160003	EFGC200.102	张紧板 tensioning plate	1	EFGCHMZ200-220
54	501011905	GB5786-M16x1.5x50	细牙全螺纹螺栓 fin thread screw bolt	1	
55	503010137	GB6173-M16x1.5	细牙薄螺母 fin thread thin nut	1	
56	801160001	EFG120.017	右滚筒支撑板(焊合件) right roller mounting plate	1	
57	801140004	EFG100.012	滚筒焊合件(105型)(L=1027) Roller weldment(105)	1	EFGCHMZ105

Parts list

MFCMADH

57(1)	801150004	EFG110.012	滚筒焊合件(115型)(L=1127) Roller weldment(115)	1	EFGCHMZ115
57(2)	801160017	EFG120.012	滚筒焊合件(125型)(L=1227) Roller weldment(125)	1	EFGCHMZ125
57(3)	801170004	EFG130.012	滚筒焊合件(135型)(L=1327) Roller weldment(135)	1	EFGCHMZ135
57(4)	801180004	EFG140.012	滚筒焊合件(145型)(L=1427) Roller weldment(145)	1	EFGCHMZ145
57(5)	801190004	EFG150.012	滚筒焊合件(155型)(L=1527) Roller weldment(155)	1	EFGCHMZ155
57(6)	801200004	EFG160.012	滚筒焊合件(165型)(L=1627) Roller weldment(165)	1	EFGCHMZ165
57(7)	801210004	EFG170.012	滚筒焊合件(175型)(L=1727) Roller weldment(175)	1	EFGCHMZ175
57(8)	801160036	EFG200.012	滚筒焊合件(200型)(L=1977) Roller weldment(200)	1	EFGCHMZ200
57(9)	801160041	EFG220.012	滚筒焊合件(220型)(L=2177) Roller weldment(220)	1	EFGCHMZ220
58	509010007	GB1152-M6	油杯 oil cup	2	
59	511040007	EF100.00.012	法兰座轴承 UC205 flange bearing	2	
60	801160004	EFG120.018	左滚筒支撑板(焊合件) left roller mounting plate	1	
61	801140008	EFG100.024	刮泥板焊合件(105型)(L=1040) Scraper weldment(105)	1	EFGCHMZ105
61(1)	801150008	EFG110.024	刮泥板焊合件(115型)(L=1140) Scraper weldment(115)	1	EFGCHMZ115
61(2)	801160030	EFG120.024	刮泥板焊合件(125型)(L=1240) Scraper weldment(125)	1	EFGCHMZ125
61(3)	801170008	EFG130.024	刮泥板焊合件(135型)(L=1340) Scraper weldment(135)	1	EFGCHMZ135
61(4)	801180008	EFG140.024	刮泥板焊合件(145型)(L=1440) Scraper weldment(145)	1	EFGCHMZ145
61(5)	801190008	EFG150.024	刮泥板焊合件(155型)(L=1540) Scraper weldment(155)	1	EFGCHMZ155
61(6)	801200008	EFG160.024	刮泥板焊合件(165型)(L=1640) Scraper weldment(165)	1	EFGCHMZ165
61(7)	801210008	EFG170.024	刮泥板焊合件(175型)(L=1740) Scraper weldment(175)	1	EFGCHMZ175
61(8)	801130012	EFG200.024	刮泥板焊合件(200型)(L=1990) Scraper weldment(200)	1	EFGCHMZ200
61(9)	801130013	EFG220.024	刮泥板焊合件(220型)(L=2190) Scraper weldment(220)	1	EFGCHMZ220
62	503010309	GB6184-M8	全金属防松螺母 All metal locking nut	3	

Parts list

MFCMADH

63	506010055	GB97.1-8	平垫 plain washer	3	
65	501011100	GB5783-M8x25	全螺纹螺栓 screw bolt	1	
66	705290212	RKH120-BS	把手 handle	1	
67	505011415	GB70.1-M8x20	内六角圆柱头螺钉 Hexagon socket cap screw	2	
68	802000005	EFGCHMZ100.017	后挡板焊合件(105型) back shield(105)	1	EFGCHMZ105
68(1)	802010005	EFGCHMZ110.017	后挡板焊合件(115型) back shield(115)	1	EFGCHMZ115
68(2)	802020005	EFGCHMZ120.017	后挡板焊合件(125型) back shield(125)	1	EFGCHMZ125
68(3)	802030005	EFGCHMZ130.017	后挡板焊合件(135型) back shield(135)	1	EFGCHMZ135
68(4)	802040005	EFGCHMZ140.017	后挡板焊合件(145型) back shield(145)	1	EFGCHMZ145
68(5)	802050005	EFGCHMZ150.017	后挡板焊合件(155型) back shield(155)	1	EFGCHMZ155
68(6)	802060005	EFGCHMZ160.017	后挡板焊合件(165型) back shield(165)	1	EFGCHMZ165
68(7)	802070005	EFGCHMZ170.017	后挡板焊合件(175型) back shield(175)	1	EFGCHMZ175
68(8)	810020005	EFGCHMZ200.017	后挡板焊合件(200型) back shield(200)	1	EFGCHMZ200
68(9)	810100003	EFGCHMZ220.017	后挡板焊合件(220型) back shield(220)	1	EFGCHMZ220
69	802550026	AGZ-100.017	串杆焊合件(100型) strand rod(100)	1	EFGCHMZ105
69(1)	802550027	AGZ-110.017	串杆焊合件(110型) strand rod(110)	1	EFGCHMZ115
69(2)	802550028	AGZ-120.017	串杆焊合件(120型) strand rod(120)	1	EFGCHMZ125
69(3)	802550029	AGZ-130.017	串杆焊合件(130型) strand rod(130)	1	EFGCHMZ135
69(4)	802550024	AGZ-140.017	串杆焊合件(140型) strand rod(140)	1	EFGCHMZ145
69(5)	802550030	AGZ-150.017	串杆焊合件(150型) strand rod(150)	1	EFGCHMZ155
69(6)	802560024	AGZ-160.017	串杆焊合件(160型) strand rod(160)	1	EFGCHMZ165
69(7)	802570026	AGZ-170.017	串杆焊合件(170型, L=1732) strand rod(170)	1	EFGCHMZ175
69(8)	802590034	AGZ-200.017	串杆焊合件(200型) strand rod(200)	1	EFGCHMZ200
69(9)	802600034	AGZ-220.017	串杆焊合件(220型) strand rod(220)	1	EFGCHMZ220
70	801240026	EFGC100.015	传动箱总成 transmission box	1	EFGCHMZ105-115
70(1)	801240023	EFGC120.015	传动箱总成 transmission box	1	EFGCHMZ125
70(2)	801240027	EFGC130.015	传动箱总成 transmission box	1	EFGCHMZ135-175
70(3)	802520114	EFGCH200.021A-X	传动箱总成(200/220/250型)(虚设) transmission box	1	EFGCHMZ200-220
71	703400008	FM120.00.199	传动轴罩 transmission shaft cover	1	
72	506010037	GB96.1-12	加大平垫 extra large plain washer	4	
73	501011127	GB5783-M12x35	全螺纹螺栓 screw bolt	4	
74	506010036	GB96.1-10	加大平垫 extra large plain washer	4	
75	506030036	GB93-10	弹垫 spring washer	4	
76	501011112	GB5783-M10x25	全螺纹螺栓 screw bolt	8	
77	702420030	EF100.00.177	齿轮箱输入轴防锈套 gear box input shaft rust proof cover	1	
78	802000001	EFGCHMZ100.011	机罩焊合件(105型) Hood weldment(105)	1	EFGCHMZ105
78(1)	802010001	EFGCHMZ110.011	机罩焊合件(115型) Hood weldment(115)	1	EFGCHMZ115

Parts list

MFCMADH

78(2)	802020001	EFGCHMZ120.011	机罩焊合件(125型) Hood weldment(125)	1	EFGCHMZ125
78(3)	802030001	EFGCHMZ130.011	机罩焊合件(135型) Hood weldment(135)	1	EFGCHMZ135
78(4)	802040001	EFGCHMZ140.011	机罩焊合件(145型) Hood weldment(145)	1	EFGCHMZ145
78(5)	802050001	EFGCHMZ150.011	机罩焊合件(155型) Hood weldment(155)	1	EFGCHMZ155
78(6)	802060001	EFGCHMZ160.011	机罩焊合件(165型) Hood weldment(165)	1	EFGCHMZ165
78(7)	802070001	EFGCHMZ170.011	机罩焊合件(175型) Hood weldment(175)	1	EFGCHMZ175
78(8)	810020001	EFGCIMZ200.011	机罩焊合件(200型) Hood weldment(200)	1	EFGCIMZ200
78(9)	810100001	EFGCIMZ220.011	机罩焊合件(220型) Hood weldment(220)	1	EFGCIMZ220
79	701520010	EFG120.169	油嘴盖纸垫 oil nipple cover paper washer	1	
80	701520006	EFG120.168	油嘴盖 oil nipple cover	1	
81	801680021	EFGCIM120.015	左连接架焊合件 Left connecting frame weldment	1	
82	701680001	EFGCIM120.101	夹板 spacer	4	
83	506060182	GB893.1-60	A型孔用挡圈 A check ring	4	



Parts Request Form

Fax to 541-895-2756 or E-mail
 cservice@betstproducts.com

Name: _____

Address: _____

City State Zip: _____

Phone: _____

E-mail: _____

Model Number: _____
Serial Number: _____
Purchased From: _____
Purchase Date: _____

Item No.	Description	Qty	Price	Amount

Comments:

Value-Leader Brand LIMITED WARRANTY

Unless otherwise stated on purchase invoice, Betstco warrants to original Purchaser that Value-Leader products are free from major defects in material under normal use and service for a period of Two (2) Years from the date the product is purchased or shipped, whichever is later. Commercial use 180 days. Use at address that is not yours, is considered commercial use. Consumable, Expendable, Wear Items (Examples: Rubber & plastic parts, hydraulic hoses, belts, tires, cables, blades, tines, wedges, teeth, tips, chains, pins, brushes, filters, etc.) and cracked hydraulic pumps, bent or broken cylinder rods are not covered under this warranty. Warranty does not cover items that have been modified, damaged by abuse or usage not in accordance with design or maintenance.

Betstco obligation under this warranty is to repair or replace defective product upon approval by; Betstco, 83371 Melton Rd. N., Creswell OR 97426 that Warranty Claim is Valid. Product shall be returned upon request of Betstco. Transportation charges to be prepaid by buyer. **Gasoline or diesel engines used to powered Value-Leader products are covered by the warranty of the appropriate engine manufacture and Purchaser must look to the engine manufacture for all issues relating to engine operation.**

Betstco assumes no responsibility for outside labor.

PERMISSIBLE BY APPLICABLE LAW, BETSTCO HEREBY DISCLAIMS ALL WARRANTIES OF ANY KIND, EITHER EXPRESS OR IMPLIED, INCLUDING, ANY IMPLIED WARRANTIES WITH RESPECT TO THE PRODUCT PURCHASED, WITHOUT LIMITING THE GENERALITY OF THE FOREGOING, BETSTCO HEREBY EXPRESSLY DISCLAIMS ALL LIABILITY FOR PRODUCT DEFECT OR FAILURE, CLAIMS THAT ARE DUE TO NORMAL WEAR, PRODUCT MISUSE, ABUSE, PRODUCT MODIFICATION, IMPROPER PRODUCT SELECTION, NON-COMPLIANCE WITH ANY CODES, OR MISAPPROPRIATION. BETSTCO MAKES NO WARRANTIES TO THOSE DEFINED AS "CONSUMERS" IN THE MAGNUSON-MOSS WARRANTY-FEDERAL TRADE COMMISSION IMPROVEMENTS ACT. THE FOREGOING EXCLUSIONS OF IMPLIED WARRANTIES DO NOT APPLY TO THE EXTENT PROHIBITED BY LAW. PLEASE REFER TO YOUR LOCAL LAWS FOR ANY SUCH PROHIBITIONS

THERE SHALL BE NO LIABILITY FOR PRODUCT LIABILITY OR LIABILITY ON THE PART OF BETSTCO FOR ANY GENERAL, SPECIAL OR CONSEQUENTIAL DAMAGES ARISING OUT OF THE SALE OR USE OF ANY PRODUCTS SOLD BY BETSTCO OR AN AGENT THEREOF. BETSTCO MAKES NO WARRANTIES, EXPRESS OR IMPLIED, (INCLUDING, BUT NOT LIMITED TO, ANY WARRANTY OF MERCHANTABILITY OR FITNESS OF THE PRODUCTS FOR ANY PURPOSE) WITH RESPECT TO THE PRODUCTS COVERED BY THIS AGREEMENT EXCEPT AS IN THIS PARAGRAPH OTHERWISE EXPRESSLY PROVIDED.

THIS IS THE SOLE AND ONLY WARRANTY OF Value-Leader PRODUCTS. NO OTHER WARRANTY IS APPLICABLE, EITHER EXPRESSED OR IMPLIED, IN FACT OR BY LAW,

This warranty shall not be interpreted to render Betstco, or any authorized agent liable for injury or damages of any kind or nature, direct, consequential, or contingent, to person or property.

The sole and only remedy in regard to any defective products shall be the repair or replacement thereof as herein provided. Betstco, agent(s) of Betstco shall not be liable for any consequential, special, incidental or punitive damages resulting from or caused by any such defects.

Betstco reserves the right to make improvements in design or changes in specifications at any time, without incurring any obligations to owners of units previously sold.

No one is authorized to alter, modify, or enlarge this warranty nor the exclusions, limitations, and reservation thereof.

Value- Leader 1- 877- 876- 7895 Support@value-leader.com 12-12-13

WARRANTY VOID IF REGISTRATION IS NOT RECEIVED OR RECORDED ONLINE WITHIN 30 DAYS OF PURCHASE DATE OR SHIP DATE, WHICHEVER IS LATER.

VALUE LEADER REGISTRATION

Item _____ Model # _____ Purchase Date ____/____/____

Purchased From: _____ Gift Inv#/Order# _____

Owner Name: _____ Serial # (if Applicable) _____

Owner Address: _____

City: _____ County: _____ ST: _____ Zip Code: _____

Phone: _____ Email: _____

Acceptance of responsibility:

I (Purchaser) have read operators manual and Limited Warranty or someone has read/and explained all instructions to me. I understand this warranty does not cover any labor and that all disputes will be settled by binding arbitration. Binding arbitration is conducted by the Better Business Bureau (BBB) located at 4004 SW Kruse Way Place Ste 375 Lake Oswego OR 97035 or the current BBB location closest to Betstco, I acknowledge my Limited Warranty is void if any attempt to repair or replace defective parts has been made by unauthorized personnel. I acknowledge receipt of my Operators Manual and have read the Safe Operation Section. I acknowledge understanding maintenance and safe operation requirements, item specifications, operation, controls, and storage requirements. **I understand that I alone am responsible for proper maintenance, care and safe operation of this Value-Leader item.**

I (Purchaser) agree that persons not familiar with the operation of this item should not be allowed to use it. Children especially should not operate or be near Power Products when in use. **ANYONE OPERATING VALUE-LEADER PRODUCTS SHOULD HAVE READ OPERATIONS MANUALS AND SAFETY MANUALS.**

Owners Signature: x _____ **Date:** ____/____/____

You must sign this warranty and mail or fax copy to Betstco, 83371 Melton Rd N.#3, Creswell OR 97426. If you prefer you may complete your registration on line at www.Betstco.com. This warranty is not effective unless the Purchaser completes Registration and Warranty Form within 30 days of purchase or ship date whichever is later.

Fax to 1-541-895-2756

NOTE: We may refuse warranty of any kind unless Betstco, receives a completed, legible and signed warranty registration. It is the responsibility of the purchaser to assure that registration document is received by Betstco.

Fax to 1-541-895-2756



2 YEAR EXTENDED WARRANTY & REGISTRATION Value Leader Implement

Branded Products

2 YEAR EXTENDED WARRANTY

2 Year Extended Warranty amends to original Recorded Warranty Registration the time period of described coverage. Extended Warranty does not apply to Consumable and Expendable Items as described in Product Warranty Registration.

This Amendment does not affect any other part of recorded Warranty Registration or Policy.

No one is authorized to alter, modify, or enlarge this Amendment to original recorded warranty registration.

EXTENDED REGISTRATION & PAYMENT MUST BE RECEIVED WITHIN 30 DAYS OF PURCHASE DATE

EXTENDED WARRANTY REGISTRATION

Product & Model # : _____

Serial #: _____

Owner Name: _____

Betstco Invoice # _____

Acceptance of responsibility:

I (Purchaser) have Read and understand the Extended Warranty or someone has read/and explained all the above to me. I understand this extended warranty does not cover any labor. I have filed my Original Warranty Registration and fully understand my requirements. **I understand that I alone am responsible for proper maintenance, care and safe operation of this tractor implement.**

I (purchaser) also understand that persons not familiar with the operation of this equipment should not be allowed to use it. Children especially should not operate or be near equipment. ANYONE OPERATING EQUIPMENT SHOULD HAVE READ ALL EQUIPMENT OPERATIONS MANUALS AND SAFETY MANUALS..

Owners Signature: x _____

Date: _____

You must sign this extended warranty and Fax to 1-305-397-1780 or mail copy to Betstco, 83371 Melton Rd N.#3, Creswell OR 97426. This extended warranty is not effective unless the Purchaser faxes or mails this Registration Form within 30 days of purchase. NOTE: The Manufacturer may refuse warranty of any kind unless Betstco receives a completed, legible and signed extended warranty registration. It is the responsibility of the purchaser to assure that this registration document is received by Betstco.

To Make Payment for Extended Warranty Call: 1-877-876-7895