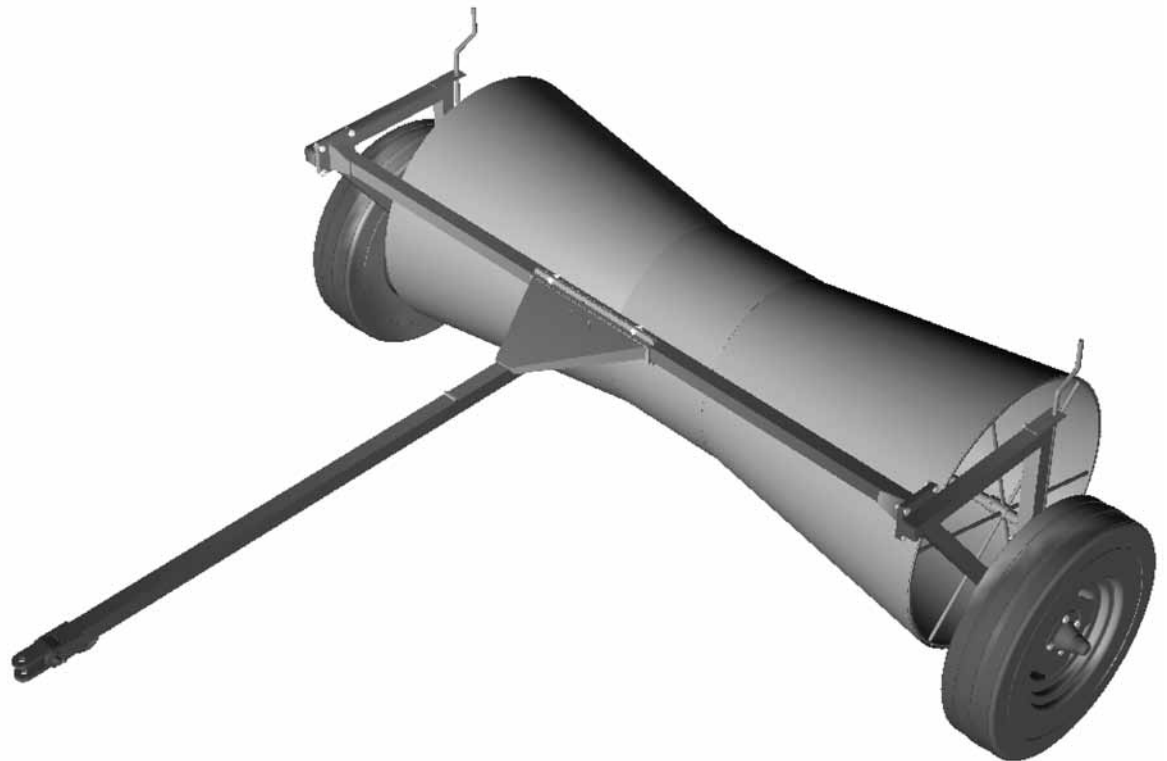


# Farm King

## OPERATOR AND PARTS MANUAL

### Swath Roller

8' & 10' Model





# Table of Contents

**Introduction .....4**

**Safety.....5**

- Safety .....5
- General Safety .....6
- Start-up Safety .....6
- Operation Safety .....6
- Transport Safety .....6
- Service and Maintenance Safety .....7
- Storage Safety .....7
- Safety Signs .....7
- Safety Sign Installation .....7

**Assembly.....8**

- Assembly Instructions .....8

**Operation .....8**

- Theory of Operation .....8

**Bolt Torque .....9**

- Checking Bolt Torque .....9

**Parts Drawings..... 10**

- 8' Swath Roller Assembly Drawing ..... 10
- 8' Swath Roller Assembly Parts List ..... 11
- 10' Swath Roller Assembly Drawing ..... 14
- 10' Swath Roller Assembly Parts List ..... 15

**Shipping Kit and Bundle Numbers ..... 17**

**Warranty ..... 18**

**Manufacturer’s statement:** for technical reasons Buhler Industries Inc. reserves the right to modify machinery design and specifications provided herein without any preliminary notice. Information provided herein is of descriptive nature. Performance quality may depend on soil fertility, applied agricultural techniques, weather conditions and other factors.

## Introduction

---

Farm King brings you this all-steel swath roller in 8' and 10' models. Compress your canola and flax swath to prevent crop loss by wind scattering. Ground clearance is easily adjusted with a crank at both ends.

Hook up to your swather with the swivel hitch...and take your mind off the wind.

Keep this manual handy for frequent reference. All new operators or owners must review the manual before using the equipment and at least annually thereafter. Contact your Farm King Dealer if you need assistance, information, or additional copies of the manual. Visit our website at [www.buhlerindustries.com](http://www.buhlerindustries.com) for a complete list of dealers in your area.

The directions left, right, front and rear, as mentioned throughout this manual, are as seen facing in the direction of travel of the implement.

## Safety

---

### Safety Instructions

Remember, YOU are the key to safety. Good safety practices not only protect you, but also the people around you. Make these practices a working part of your safety program. Be certain that everyone operating this equipment is familiar with the recommended operating and maintenance procedures and follows all the safety precautions. Most accidents can be prevented. Do not risk injury or death by ignoring good safety practices.

The alert symbol is used throughout this manual. It indicates attention is required and identifies hazards. Follow the recommended precautions.



The safety alert symbol means...  
**ATTENTION! BECOME ALERT! YOUR SAFETY IS INVOLVED!**



#### CAUTION

The caution symbol indicates a potentially hazardous situation that, if not avoided, may result in minor or moderate injury. It may also be used to alert against unsafe practices.



#### WARNING

The Warning Symbol indicates a potentially hazardous situation that, if not avoided, could result in death or serious injury, and includes hazards that are exposed when guards are removed. It may also be used to alert against unsafe practices.



#### DANGER

The Danger Symbol indicates an imminently hazardous situation that, if not avoided will result in death or serious injury. This signal word is to be limited to the most extreme situations, typically for machine components that, for functional purposes, cannot be guarded.

## General Safety Instructions

- Have a first-aid kit available for use and know how to use it.
- Have a fire extinguisher available, stored in a highly visible location, and know how to use it.
- Wear appropriate protective gear. This list may include but is not limited to:
  - hard hat
  - protective shoes with slip resistant soles
  - protective glasses or goggles
  - heavy gloves
  - wet weather gear
  - hearing protection
  - respirator or filter mask
- Read and understand the Operator's Manual and all safety signs before operating, servicing, adjusting, repairing, or unplugging the equipment.
- Do not attempt any unauthorized modifications to your Farm King product as this could affect function or safety, and could affect the life of the equipment.
- Inspect and clean the working area before operating.
- Keep hands, feet, clothing, and hair away from moving parts.
- Ensure bystanders are clear of the area before operating.

## Start-up Safety

- Do not let inexperienced operators or children run this equipment.
- Operate only with ROPS and seatbelt equipped tractors.

## Operation Safety

- Do not permit riders.
- Do not wear loose fitting clothing during operation.

## Transport Safety

- Review Transport Safety instructions in tractor manual before moving.
- Check with local authorities regarding transport on public roads. Obey all applicable laws and regulations.
- Make sure the SMV (Slow Moving Vehicle) emblem and all the lights and reflectors that are required by the local highway and transport authorities are in place, are clean, and can be seen clearly by all overtaking and oncoming traffic.
- Always travel at a safe speed.
- Inflate transport tires to recommended pressure.

## Service and Maintenance Safety

- Stop engine, set brake, remove ignition key, and wait for all moving parts to stop before servicing, adjusting, repairing, or unplugging.
- Support the equipment with blocks or safety stands before working beneath it.
- Follow good shop practices including:
  - keep service area clean and dry
  - be sure electrical outlets and tools are properly grounded
  - use adequate light for the job.
- Use only tools, jacks, and hoists of sufficient capacity for the job.
- Use heavy leather gloves to handle sharp objects.
- Failure to follow proper procedures when mounting a tire on a wheel or rim can produce an explosion, which may result in serious injury or death.

## Storage Safety

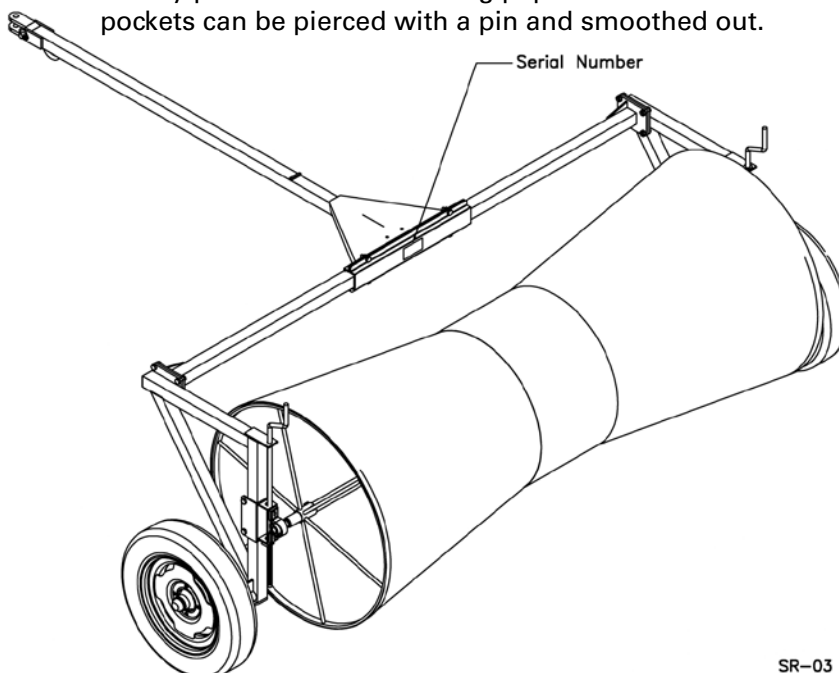
- Store the unit in an area away from human activity.
- Do not permit children to play on or around the stored machine.
- Support the frame on stands and blocks to provide a secure base.

## Safety Signs

- Keep all safety signs clean and legible and replace any that are damaged or missing.
- When original parts are replaced, any safety signs affixed to those parts should be replaced as well. Replacement safety signs are available from your local dealer.

## Installation

- To install safety signs, ensure the installation area is clean and dry. Decide on the exact position before you remove the backing paper. Remove the smallest portion of the split backing paper and align over the specified area. Carefully press in place.
- Slowly peel back the remaining paper and smooth the remaining portion in place. Small air pockets can be pierced with a pin and smoothed out.



## Assembly Instructions

---

1. Center the drum shaft (#2) in the drum (#1) and tighten in place using the set screws supplied in the hubs at the ends of the drum.
2. Slide the right and left side frames (#7) and (#8) onto the drum shaft with the side frames turned as shown in drawing.
3. Assemble the cross brace (#3) between the two side frames. Do not tighten the clamp bolts until after the bearings on the side frames have the collars locked in place. **NOTE:** When mounting bearings on a shaft, always tighten the bearing collar in the direction of shaft rotation using a center punch or a similar tool.
4. Clamp the hitch (#4) to the center of the cross brace.



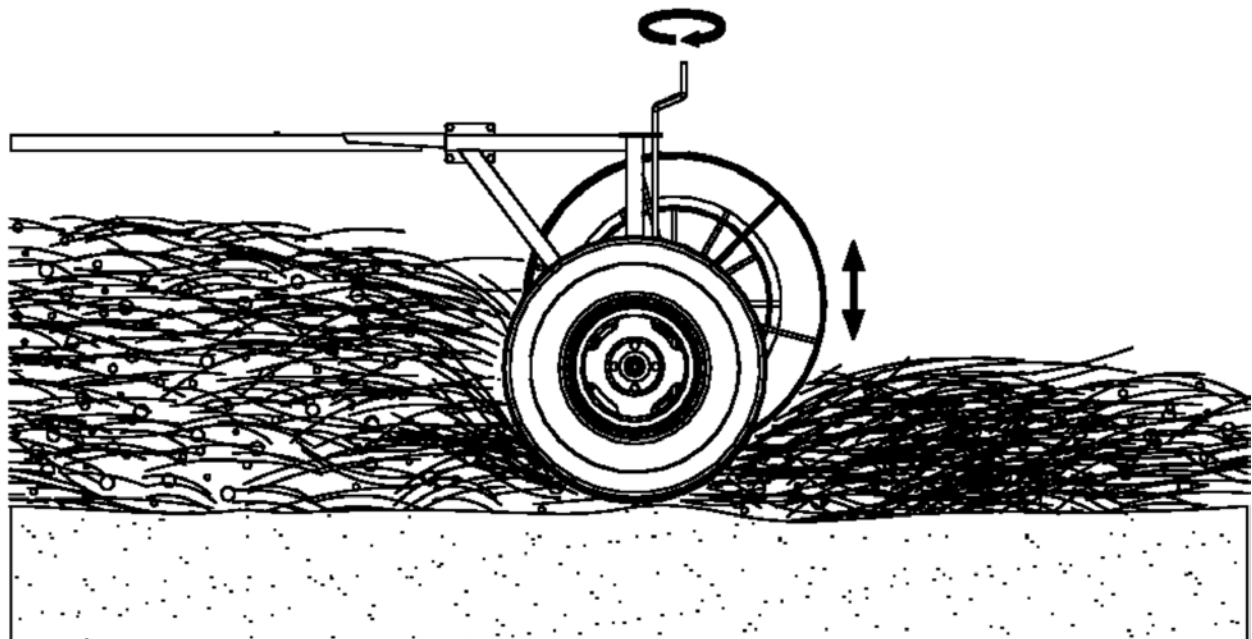
### ALERT

The 10' Swath Roller has two additional braces (#31) clamped to both sides of the hitch.

## Operation Instructions

---

### Theory of Operation



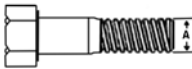



SR-04



## Bolt Torque

### Checking Bolt Torque

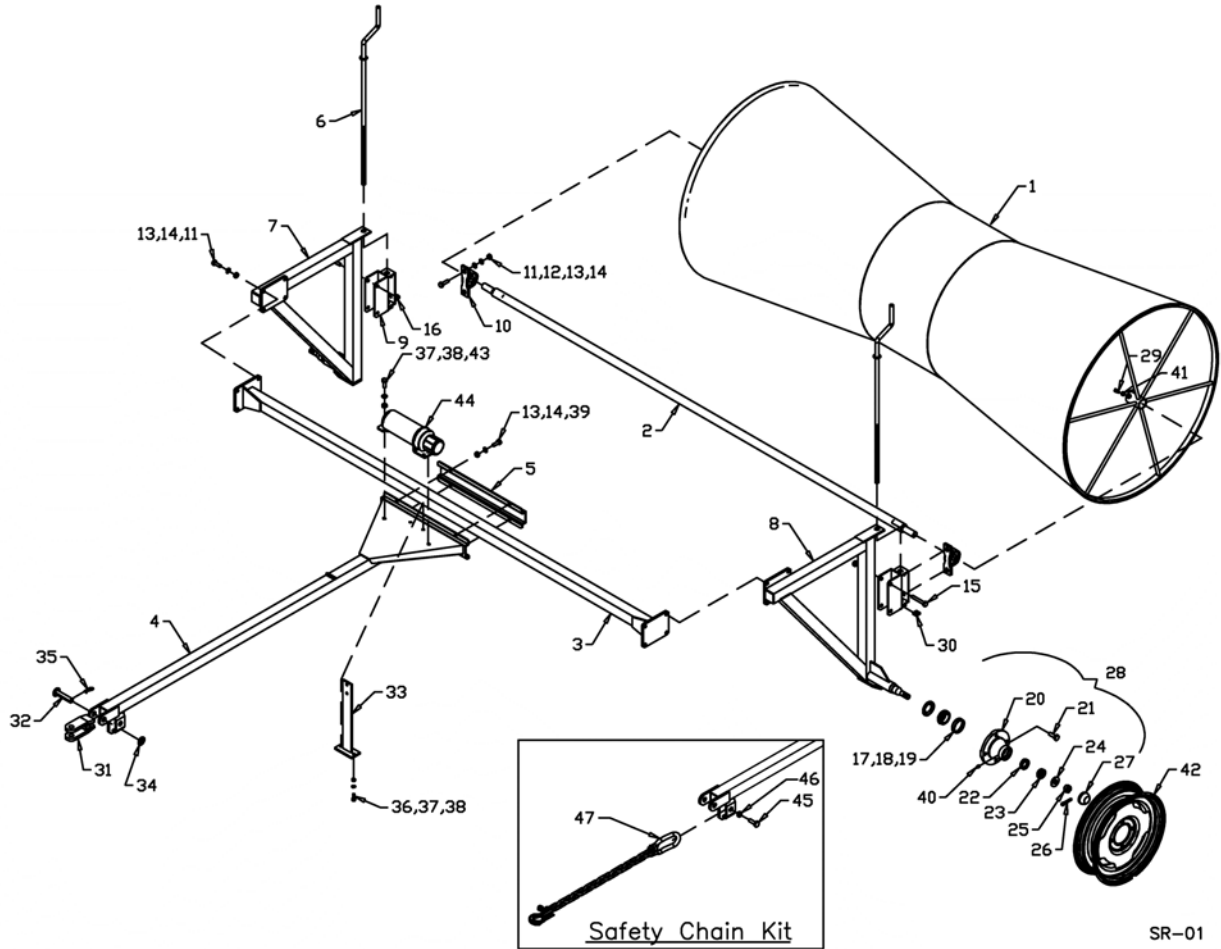
The tables shown below give correct torque values for various bolts and hex bolts. Tighten all bolts to the torques specified in chart unless otherwise noted. Check tightness of bolts periodically, using bolt torque chart as a guide. Replace hardware with the same strength bolt.

Bolt Torque*						
						
Bolt Diameter	Grade 2 Bolts		Grade 5 Bolts		Grade 8 Bolts	
(inches)	SAE 2		SAE 5		SAE 8	
"A"	(lb-ft)	(N.m)	(lb-ft)	(N.m)	(lb-ft)	(N.m)
0.25 (1/4)	6	8	9	12	12	17
0.313 (5/16)	10	13	19	25	27	36
0.375 (3/8)	20	27	33	45	45	63
0.438 (7/16)	30	42	53	72	75	100
0.5 (1/2)	45	61	80	110	115	155
0.563 (9/16)	70	95	115	155	165	220
0.625 (5/8)	95	128	160	215	220	305
.75 (3/4)	165	225	290	390	400	540
0.875 (7/8)	170	230	420	570	650	880
1	225	345	630	850	970	1320

Torque figures indicated above are valid for non-greased or non-oiled threads and heads unless otherwise specified. Therefore, do not grease or oil bolts or hex bolts unless otherwise specified in this manual. When using locking elements, increase torque values by 5%.

\* Torque value for bolts and hex bolts are identified by their head markings.

8' Swath Roller Assembly Drawing



## When Ordering Parts

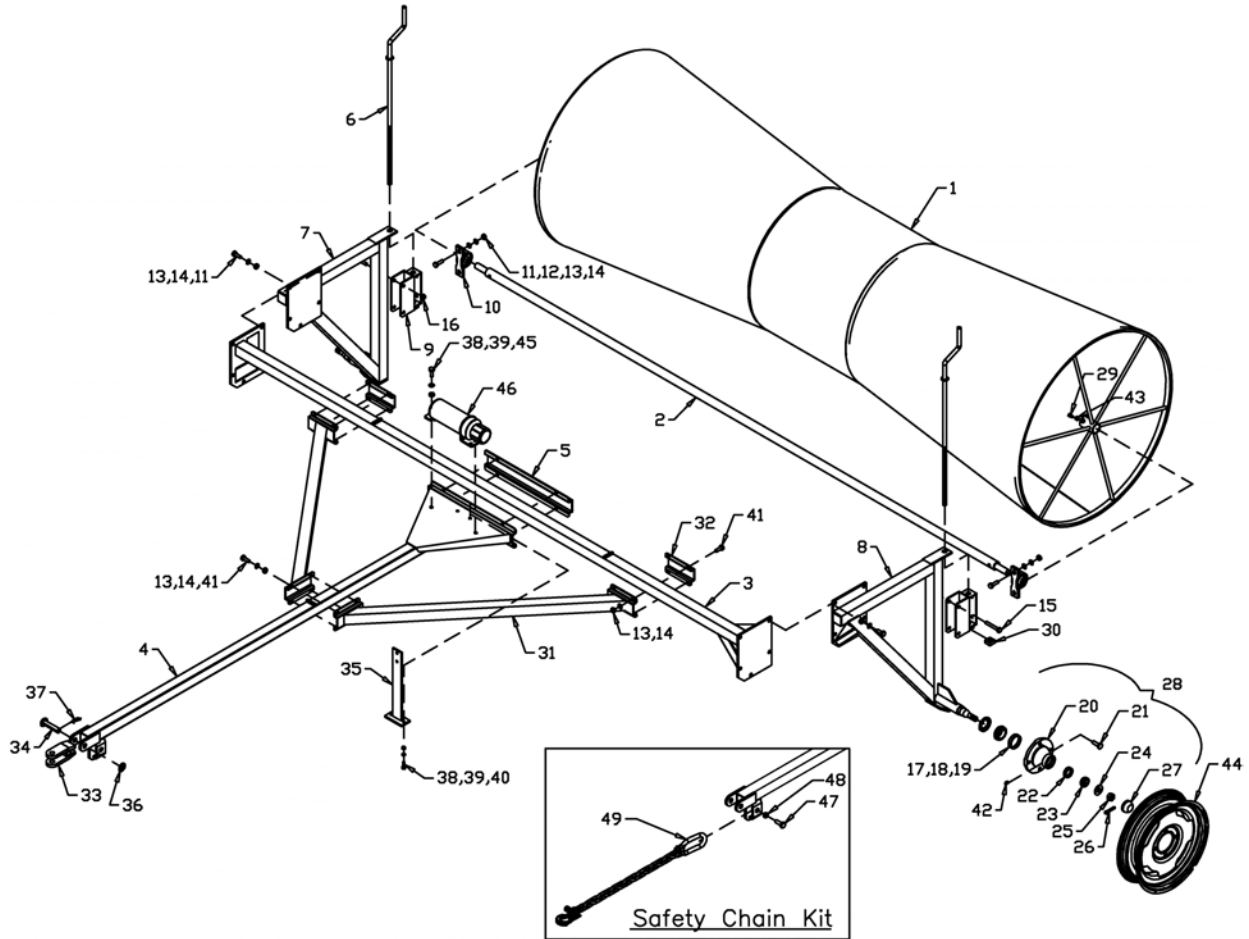
Always give your dealer the Model, Color and Serial Number of your machine to assist him in ordering and obtaining the correct parts. Use the exploded view and tabular listing of the area of interest to exactly identify the required part.

Item	Part Number	Description
1	F6500	Drum Weldment
2	967501	Drum Shaft Weldment
3	967585	Cross-Brace
4	909958	Hitch Weldment
5	967504	Hitch Clamp (20")
6	967505	Crank Weldment
7	967587	Right Side Frame
8	967588	Left Side Frame
9	967508	Slider Bracket Weldment
10	961792	Housing with Bearing Pillow
11	81599	7/16" x 1-1/2" Hex Bolt (pl)
12	981616	7/16" Flat Washer (pl)
13	81615	7/16" Lock Washer (pl)
14	81614	7/16" Hex Nut (pl)
15	812338	7/16" x 3" Hex Bolt (pl)
16	86273	7/16" Lock Nut (pl)
17	961891	Oil Seal (SE11)
18	967712	Inner Bearing Cone (LM67048)
19	967711	Inner Bearing Cup (LM67010)
20	105173	4-Bolt Hub with Cups
21	968404	1/2" Wheel Bolt
22	968405	Outer Bearing Cup (LM11910)
23	968406	Outer Bearing Cone (LM11949)
24	9812416	Washer (3/4" S.A.E.) (pl)
25	81834	3/4" Slotted Hex Nut (br)
26	9812486	1/8" x 1-1/2" Cotter Pin
27	968409	Dust Cap (DC12)
28	9105173	H411 Hub Assembly
29	81213	3/8" x 1" Square Head Set Screw (pl)
30	967246	5/8" Square Nut (pl)
31	901005	Hitch Clevis
32	901078	Clevis Pin 3/4" x 3-1/2"
33	900368	SMV Mounting Bracket
34	84050	3/4" S.A.E. Flat Washer (pl)
35	9812433	3/16" x 1-1/2" Cotter Pin (pl)
36	812026	5/16" x 1" Hex Bolt (pl)

Item	Part Number	Description
37	81568	5/16" Hex Nut (pl)
38	81569	5/16" Lock Washer (pl)
39	81598	7/16" x 1-1/4" Hex Bolt (pl)
40	967900	1/4" Grease Fitting
41	81592	3/8" Hex Nut (pl)
42	F7110	15" x 4.5" x 4-Bolt Wheel
43	81549	5/16" x 3/4" Hex Bolt (pl)
44	909277	Manual Holder
45	84467	3/4" Hex Bolt (pl)
46	812365	3/4" Lock Nut (pl)
47	F0420	1/4" Safety Chain



10' Swath Roller Assembly Drawing



Item	Part Number	Description
1	F6551	Drum Weldment
2	967577	Drum Shaft Weldment
3	967589	Cross-Brace
4	909959	Hitch Weldment
5	967504	Hitch Clamp
6	967505	Crank
7	901146	Right Side Frame
8	901147	Left Side Frame
9	967508	Slider Bracket
10	961792	1" Pillow Bearing
11	81599	7/16" x 1-1/2" Hex Bolt (pl)
12	981616	7/16" BS Flat Washer (pl)
13	81615	7/16" Lock Washer (pl)
14	81614	7/16" Hex Nut (pl)
15	812338	7/16" x 3" Hex Bolt (pl)
16	86273	7/16" Lock Nut (pl)
17	961891	Oil Seal (SE11)
18	967712	Inner Bearing Cone (LM67048)
19	967711	Inner Bearing Cup (LM67010)
20	105173	4-Bolt Hub with Cups
21	968404	1/2" Wheel Bolt
22	968405	Outer Bearing Cup (LM11910)
23	968406	Outer Bearing Cone (LM11949)
24	9812416	Washer (3/4" S.A.E.)
25	81834	3/4" Slotted Hex Nut (br)
26	9812486	1/8" x 1 1/2" Cotter Pin
27	968409	Dust Cap (DC12)
28	9105173	H411 Hub Assembly
29	81213	3/8" x 1" Square Head Set Screw (pl)
30	967246	5/8" Square Nut (pl)
31	967580	Hitch Brace
32	967581	6" Clamp
33	901005	Hitch Clevis
34	901078	Clevis Pin 3/4" x 3-1/2"
35	900368	SMV Mounting Bracket
36	84050	3/4" S.A.E. Flat Washer (pl)
37	9812433	3/16" x 1-1/2" Cotter Pin (pl)
38	812026	5/16" x 1" Hex Bolt (pl)
39	81568	5/16" Hex Nut (pl)
40	81569	5/16" Lock Washer (pl)
41	81598	7/16" x 1-1/4" Hex Bolt (pl)

Item	Part Number	Description
42	967900	1/4" Grease Fitting
43	81592	3/8" Hex Nut (pl)
44	F7110	15" x 4.5" x 4-Bolt Wheel
45	81549	5/16" x 3/4" Hex Bolt (pl)
46	909277	Manual Holder
47	84467	3/4" Hex Bolt (pl)
48	812365	3/4" Lock Nut (pl)
49	F0420	1/4" Safety Chain



## Shipping Kit and Bundle Numbers

---

The following is a list of Kit Numbers for this product and the Bundle Numbers, Descriptions, and Quantities for each Kit.

Quantity	Bundle Number	Description
----------	---------------	-------------

C800SR - 8' Swath Roller		
1	F6500	Drum Weldment
1	F0897	Frame Bundle
1	F0924	Hitch, Shaft, Brace Bundle
2	F7110	Wheel 15"
1	F0926	Carton of Parts

C1000SR - 10' Swath Roller		
1	F6551	Drum Weldment
1	F0899	Frame Bundle
1	F0925	Hitch, Shaft, Brace Bundle
2	F7110	Wheel 15"
1	F0927	Carton of Parts

## Farm King Limited Warranty

This document limits your warranty rights.

### **Base Limited Warranty**

Buhler Industries Inc. provides this warranty only to original retail purchasers of its product. Buhler Industries Inc. warrants to such purchasers that all Buhler Industries Inc. manufactured parts and components used and serviced as provided for in the Operator's Manual shall be free from defects in materials and workmanship for a period following delivery to the original retail purchaser of 12 months (80 days for commercial applications). This limited warranty applies only to those parts and components manufactured by Buhler Industries Inc. Parts and components manufactured by others are subject to their manufacturer's warranties, if any.

Buhler Industries Inc. will fulfill this limited warranty by, at its option, repairing or replacing any covered part that is defective or is the result of improper workmanship, provided that the part is returned to Buhler Industries Inc. within thirty (30) days of the date that such defect or improper workmanship is, or should have been, discovered. Buhler Industries Inc. reserves the right to either inspect the product at the buyer's location or have it returned to the factory for inspection. Parts must be returned through the selling representative and the buyer must prepay transportation charges.

Buhler Industries Inc. will not be responsible for repairs or replacements that are necessitated, in whole or part, by the use of parts not manufactured by or obtained from Buhler Industries Inc. Under no circumstances are component parts warranted against normal wear and tear. There is no warranty on product pump seals, product pump bearings, rubber product hoses, pressure gauges, or other components that require replacement as part of normal maintenance. Also: Buckets and Bucket Tines carry no warranty, Bent Spears carry no warranty, Snowblower Fan Shafts carry no warranty, Mower Blades carry no warranty, Portable Auger Parts Have Two (2) Year Warranty, Loader Parts Have Two (2) Year Warranty. The purchaser is solely responsible for determining suitability of goods sold. This warranty is expressly in lieu of all other warranties expressed or implied. Buhler Industries Inc. will in no event be liable for any incidental or consequential damages whatsoever. Nor for any sum in excess of the price received for the goods for which liability is claimed.

### **Repair Parts Limited Warranty**

Buhler Industries Inc. warrants Farm King replacement parts purchased after the expiration of the Buhler Industries Inc. Limited Warranty, and used and serviced as provided for in the Operator's Manual, to be free from defects in materials or workmanship for a period of thirty (30) days from the invoice date for the parts. Buhler Industries Inc. will fulfill this limited warranty by, at its option, repairing or replacing any covered part that is defective or is the result of improper workmanship, provided that the part is returned to Buhler Industries Inc. within thirty (30) days of the date that such defect or improper workmanship is, or should have been, discovered. Such parts must be shipped to Buhler Industries Inc. at the purchaser's expense.

### **What is Not Covered**

Under no circumstances does this limited warranty cover any components or parts that have been subject to the following: negligence; alteration or modification not approved by Buhler Industries Inc.; misuse; improper storage; lack of reasonable and proper maintenance, service, or repair; normal wear; damage from failure to follow operating instructions; accident; and/or repairs that have been made with parts other than those manufactured, supplied, and or authorized by Buhler Industries Inc.

**Authorized Dealer and Labor Costs**

Repairs eligible for labor under this limited warranty must be made by Buhler Industries Inc. or an authorized Farm King dealer. Buhler Industries Inc. retains the exclusive discretion to determine whether it will pay labor costs for warranty repairs or replacements, and the amount of such costs that it will pay and the time in which the repairs will be made. If Buhler Industries Inc. determines that it will pay labor costs for warranty work, it will do so by issuing a credit to the dealer's or distributor's account. Buhler Industries Inc. will not approve or pay invoices sent for repairs that Buhler Industries Inc. has not previously approved. Warranty service does not extend the original term of this limited warranty.

**Warranty Requirements**

To be covered by warranty, each Farm King new product must be registered with Buhler Industries Inc. within thirty (30) days of delivery to original retail purchaser. If the customer decides to purchase replacement components before the warranty disposition of such components is determined, Buhler Industries Inc. will bill the customer for such components and then credit the replacement invoice for those components later determined to be covered by this limited warranty. Any such replacement components that are determined not be covered by this limited warranty will be subject to the terms of the invoice and shall be paid for by the purchaser.

**Warranty Claims:**

Warranty requests must be prepared on Buhler Industries Inc. Warranty Claim Forms with all requested information properly completed. Warranty Claims must be submitted within a thirty (30) day period from date of failure repair.

**Warranty Labor:**

Any labor subject to warranty must be authorized by Buhler Industries Inc. The labor rate for replacing defective parts, where applicable, will be credited at 100% of the dealer's posted shop rate. Defective parts will receive an extra 10% discount to assist with freight or other incidental costs.

**Exclusive Effect of Warranty and Limitation of Liability**

TO THE EXTENT PERMITTED BY LAW, BUHLER INDUSTRIES INC. DISCLAIMS ANY WARRANTIES, REPRESENTATIONS, OR PROMISES, EXPRESS OR IMPLIED, AS TO THE QUALITY, PERFORMANCE, OR FREEDOM FROM DEFECT OF THE COMPONENTS AND PARTS COVERED BY THIS WARRANTY AND NOT SPECIFICALLY PROVIDED FOR HEREIN.

TO THE EXTENT PERMITTED BY LAW, BUHLER INDUSTRIES INC. DISCLAIMS ANY IMPLIED WARRANTIES OF MERCHANTABILITY AND FITNESS FOR A PARTICULAR PURPOSE ON ITS PRODUCTS COVERED HEREIN, AND DISCLAIMS ANY RELIANCE BY THE PURCHASER ON BUHLER INDUSTRIES INC.'S SKILL OR JUDGMENT TO SELECT OR FURNISH GOODS FOR ANY PARTICULAR PURPOSE. THE PURCHASER'S ONLY AND EXCLUSIVE REMEDIES IN CONNECTION WITH THE BREACH OR PERFORMANCE OF ANY WARRANTY ON PRODUCTS MANUFACTURED BY BUHLER INDUSTRIES INC. ARE THOSE SET FORTH HEREIN. IN NO EVENT SHALL BUHLER INDUSTRIES INC. BE LIABLE FOR INCIDENTAL OR CONSEQUENTIAL DAMAGES (INCLUDING, BY WAY OF EXAMPLE ONLY AND NOT LIMITATION, LOSS OF CROPS, LOSS OF PROFITS OR REVENUE, OTHER COMMERCIAL LOSSES, INCONVENIENCE, OR COST OF REPLACEMENT OF RENTAL EQUIPMENT). IN NO EVENT SHALL FARM KING'S CONTRACT OR WARRANTY LIABILITY EXCEED THE PURCHASE PRICE OF THE PRODUCT.

(Note that some provinces or states do not allow limitations on how long an implied warranty lasts or the exclusion or limitation of incidental or consequential damages, so the above limitations and exclusion may not apply to you.) This warranty gives you specific legal rights and you may also have other rights, which vary from province to province or state to state.

Buhler Industries Inc. neither assumes nor authorizes any person or entity, including its selling representatives, to assume any other obligations or liability in connections with the sale of covered equipment, or to make any other warranties, representations, or promises, express or implied, as to the quality, performance, or freedom from defect of the components and parts covered herein. No one is authorized to alter, modify, or enlarge this limited warranty, or its exclusions, limitations and reservations.

Corrections of defects and improper workmanship in the manner, and for the applicable time periods, provided for herein shall constitute fulfillment of all responsibilities of Buhler Industries Inc. to the purchaser, and Buhler Industries Inc. shall not be liable in negligence, contract, or on any other basis with respect to the subject equipment.

This limited warranty is subject to any existing conditions of supply which may directly affect Buhler Industries Inc.'s ability to obtain materials or manufacture replacement parts.

Buhler Industries Inc. reserves the right to make improvements in design or changes in specifications to its products at anytime, without incurring any obligation to owners of units previously sold.

**Government Legislation:**

Warranty terms and conditions are subject to provincial or state legislation.

**Important Note:** This warranty does not apply to rentals.



[www.farm-king.com](http://www.farm-king.com)

# Farm King

1330 43rd Street NW  
Fargo, ND USA 58102  
Ph.: 701.282.7014 | Fax: 701.282.5865  
Toll Free: 888.524.1004  
E-mail: [info@buhler.com](mailto:info@buhler.com)  
[www.farm-king.com](http://www.farm-king.com)

Equipment shown is subject to change without notice.  
©2010 Buhler Trading Inc. Printed in USA. TSX:BUI

**bühler** | a division of Buhler Industries Inc.