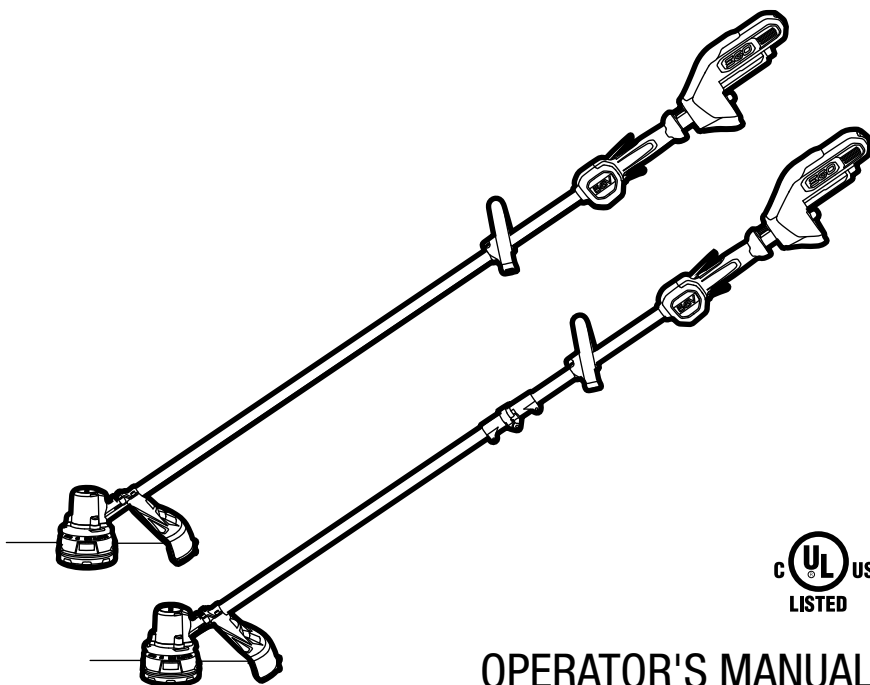


# EGO™

POWER<sup>+</sup> STRING TRIMMER



OPERATOR'S MANUAL

## 56-VOLT LITHIUM-ION CORDLESS 15" STRING TRIMMER

Français p. 35

Español p. 70

MODEL NUMBER

ST1500F/ST1500F-FC (STRAIGHT SHAFT)  
ST1500SF/ST1500SF-FC (HINGED SHAFT)

**⚠ WARNING:** To reduce the risk of injury, the user must read and understand the Operator's Manual before using this product. Save these instructions for future reference.

# TABLE OF CONTENTS

Safety Symbols .....	4
Safety Instructions.....	5-8
Introduction .....	9
Specifications .....	10
Packing List .....	10
Description .....	11-12
Assembly .....	13-16
Operation .....	17-24
Maintenance .....	25-30
Troubleshooting .....	31-32
Warranty .....	33-34

# READ ALL INSTRUCTIONS!



READ & UNDERSTAND  
INSTRUCTION MANUAL

**⚠ WARNING:** Some dust created by power sanding, sawing, grinding, drilling and other construction activities contains chemicals known to the state of California to cause cancer, birth defects or other reproductive harm. Some examples of these chemicals are:

- Lead from lead-based paints
- Crystalline silica from bricks and cement and other masonry products, and
- Arsenic and chromium from chemically-treated lumber.

Your risk from these exposures varies, depending on how often you do this type of work. To reduce your exposure to these chemicals: work in a well ventilated area, and work with approved safety equipment, such as those dust masks that are specially designed to filter out microscopic particles.

## SAFETY SYMBOLS

The purpose of safety symbols is to attract your attention to possible dangers. The safety symbols and the explanations with them deserve your careful attention and understanding. The symbol warnings do not, by themselves, eliminate any danger. The instructions and warnings they give are no substitutes for proper accident prevention measures.

**⚠ WARNING:** Be sure to read and understand all safety instructions in this Operator's Manual, including all safety alert symbols such as "DANGER," "WARNING," and "CAUTION" before using this tool. Failure to following all instructions listed below may result in electric shock, fire, and/or serious personal injury.

### SYMBOL MEANING





**⚠ SAFETY ALERT SYMBOL:** Indicates DANGER, WARNING, OR CAUTION. May be used in conjunction with other symbols or pictographs.



**⚠ WARNING!** The operation of any power tools can result in foreign objects being thrown into your eyes, which can result in severe eye damage. Before beginning power tool operation, always wear safety goggles or safety glasses with side shield and a full face shield when needed. We recommend a Wide Vision Safety Mask for use over eyeglasses or standard safety glasses with side shields. Always use eye protection which is marked to comply with ANSI Z87.1.

# SAFETY INSTRUCTIONS

This page depicts and describes safety symbols that may appear on this product. Read, understand, and follow all instructions on the machine before attempting to assemble and operate it.

	Safety Alert	Indicates a potential personal injury hazard.
	Read the Operator's Manual	To reduce the risk of injury, user must read operator's manual.
	Eye Protection	Always wear safety goggles or safety glasses with side shields and a full face shield when operating this product.
	Recycle Symbols	This product uses lithium-ion (Li-ion) batteries. Local, state, or federal laws may prohibit disposal of batteries in ordinary trash. Consult your local waste authority for information regarding available recycling and/or disposal options.
IPX4	Ingress Protection Degree	Protection from splashing water
V	Volt	Voltage
mm	Millimeter	Length or size
cm	Centimeter	Length or size
in.	Inch	Length or size
kg	Kilogram	Weight
lb	Pound	Weight
DC	Direct Current	Type or a characteristic of current
RPM	Revolutions per minute	Rotational speed



## IMPORTANT SAFETY INSTRUCTIONS

**⚠ WARNING!** When using electric trimmers, basic safety precautions should always be followed to reduce the risk of fire, electric shock, and personal injury, including the following:

### READ ALL INSTRUCTIONS

**⚠ DANGER!** Do not rely on the tool's insulation against electric shock. To reduce the risk of electrocution, never operate the tool in the vicinity of any wires or cables which may carry electric current.

**⚠ CAUTION!** Wear appropriate personal hearing protection during use. Under some conditions and durations of use, noise from this product may contribute to hearing loss.

- **Keep Children Away** - All visitors should be kept at least 100 feet away from work area.
- **Avoid Dangerous Environments** – Don't use appliances on damp or wet slope.
- **Dress Properly** - Do not wear loose clothing or jewelry. They can be caught in moving parts. Use of rubber gloves and substantial footwear is recommended when working outdoors. Wear protective hair covering to contain long hair.
- **Use Safety Glasses** - Always use face or dust mask if operation is dusty.
- **Use the Right Tool** - Do not use the tool for any job except that for which it is intended.
- **Don't Force the Trimmer** - It will do the job better and with less likelihood of a risk of injury at the rate for which it was designed.
- **Don't Overreach** - Keep proper footing and balance at all times.
- **Stay Alert** - Watch what you are doing. Use common sense. Do not operate the trimmer when you are tired.
- **Do not operate the trimmer while under the influence of alcohol or drugs.**
- **Keep guards in place and in working order.**
- **Keep hands and feet away from the cutting area.**
- **Store Trimmer Indoors** - When not in use the trimmer should be stored indoors in a dry and high or locked-up place with the battery pack removed- out of reach of children.
- **Maintain Trimmer With Care** - Keep the cutting attachment clean for best performance and to reduce the risk of injury. Follow the instructions for changing accessories. Keep the handles dry, clean, and free from oil and grease.

- **Check Damaged Parts** - Before further use of the trimmer, a guard or other part that is damaged should be carefully checked to determine that it will operate properly and perform its intended function. Check for alignment of moving parts, binding of moving parts, breakage of parts, mounting, and any other condition that may affect its operation. A guard or other part that is damaged should be properly repaired or replaced by an authorized service center unless indicated elsewhere in this manual.
- **Clear the area to be cut before each use.** Remove all objects such as rocks, broken glass, nails, wire, or string that can be thrown or become entangled in the cutting attachment. Make sure that other persons and pets are at least 100 ft. (30.5m) away.
- **Always hold the trimmer firmly, with both hands on the handles, while operating. Wrap your fingers and thumbs around the handles.**
- **Avoid Accidentally Starting** - Don't carry the trimmer with your finger on the trigger.
- **Do not operate the trimmer in gaseous or explosive atmospheres.** Motors in these appliances normally spark, and the sparks might ignite fumes.
- **Damage to Trimmer** - If you strike a foreign object with the trimmer or it becomes entangled, stop the tool immediately, check for damage and have any damage repaired before further operation is attempted. Do not operate with a broken guard or spool.
- **If the equipment should start to vibrate abnormally, stop the motor and check immediately for the cause.** Vibration is generally a warning of trouble. A loose head may vibrate, crack, break or come off the trimmer, which may result in serious or fatal injury. Make sure that the cutting attachment is properly fixed in position. If the head loosens after fixing it in position, replace it immediately. Never use a trimmer with a loose cutting attachment.
- **Replace a cracked, damaged or worn-out cutting head immediately, even if damage is limited to superficial cracks.** Such attachments may shatter at high speed and cause serious or fatal injury.
- **Check the cutting attachment at regular short intervals during operation, or immediately if there is a noticeable change in cutting behavior.**
- **When replacing the cutting line, use no more than 2.4mm nylon line;** using heavier lines than recommended by the manufacturer increases the load on the motor and reduces its operating speed. This results in overheating and damage to the trimmer.
- **To reduce the risk of serious injury, never use wire or metal-reinforced line or other material in place of the nylon cutting lines.** Pieces of wire could break off and be thrown at high speed toward the operator or bystanders.

- **To reduce the risk of injury from loss of control, never work on a ladder or on any other insecure support. Never hold the cutting attachment above waist height.**
- **If situations occur that are not covered in this manual, use care and good judgment. Contact the EGO Customer Service Center for assistance.**
- **Do not charge the battery pack in rain, or in wet locations.**
- Use only with the battery packs and chargers listed below:

BATTERY PACK	CHARGER
BA1120, BA1120-FC, BA1400, BA1400-FC, BA2240, BA2240-FC, BA2800, BA2800-FC, BA4200, BA4200-FC, BA1400T, BA1400T-FC, BA2800T, BA2800T-FC, BA4200T, BA4200T-FC, BA5600T, BA5600T-FC	CH2100, CH2100-FC, CH5500, CH5500-FC

- **Do not dispose of the battery in a fire.** The cells may explode. Check with local codes for possible special disposal instructions.
- **Do not open or mutilate the battery.** Released electrolyte is corrosive and may cause damage to the eyes or skin. It may be toxic if swallowed.
- **Exercise care in handling batteries in order not to short the battery with conducting materials such as rings, bracelets, and keys.** The battery or conductor may overheat and cause burns.
- **Replacement Parts** - When servicing, use only identical EGO replacement parts. Use of any other accessory or attachment may increase the risk of injury.
- **Battery tools do not have to be plugged into an electrical outlet; therefore, they are always in operating condition.** Be aware of possible hazards even when the tool is not operating. Take care when performing maintenance or service.
- **Remove or disconnect battery pack before servicing, cleaning or removing material from the trimmer.**
- **Do not wash with a hose; avoid getting water in motor and electrical connections.**
- **Do not incinerate the appliance even if it is severely damaged.** The batteries can explode in a fire.
- **Do not expose a battery pack or tool to fire or excessive temperature.** Exposure to fire or temperature above 212 °F (100°C) may cause explosion.



- **Save these instructions.** Refer to them frequently and use them to instruct others who may use this tool. If you lend this tool to someone else, also lend these instructions to them to prevent misuse of the product and possible injury.

**SAVE THESE INSTRUCTIONS!**

## **INTRODUCTION**

Congratulations on your selection of the EGO 56-Volt Lithium-Ion Cordless 15" String Trimmer. It has been designed, engineered and manufactured to give you the best possible dependability and performance.

Should you experience any problem you cannot easily remedy, please contact EGO customer service center 1-855-EGO-5656.


This manual contains important information on to the safe assembly, operation and maintenance of your string trimmer. Read it carefully before using the string trimmer. Keep this manual handy so you can refer to it at any time.

SERIAL NUMBER \_\_\_\_\_ DATE OF PURCHASE \_\_\_\_\_

YOU SHOULD RECORD BOTH SERIAL NUMBER AND DATE OF PURCHASE AND KEEP THEM IN A SAFE PLACE FOR FUTURE REFERENCE



## SPECIFICATIONS

Voltage	56V 
No-load speed	4000-5800 RPM
Cutting Mechanism	Bump Head
Cutting Line Type	0.095" (2.4mm) nylon twist line
Cutting Width	15 in. (38 cm)
Recommended Operating Temperature	32°F-104°F(0°C-40°C)
Recommended Storage Temperature	-4°F-158°F(-20°C-70°C)
Weight (Without battery pack)	7.33 lb. (3.33Kg)

### Recommended Cutting Line

PART NAME	TYPE	MODEL NUMBER
Cutting Line	0.095"/2.4mm twist line (Recommended)	AL2415S AL2450S AL2420P

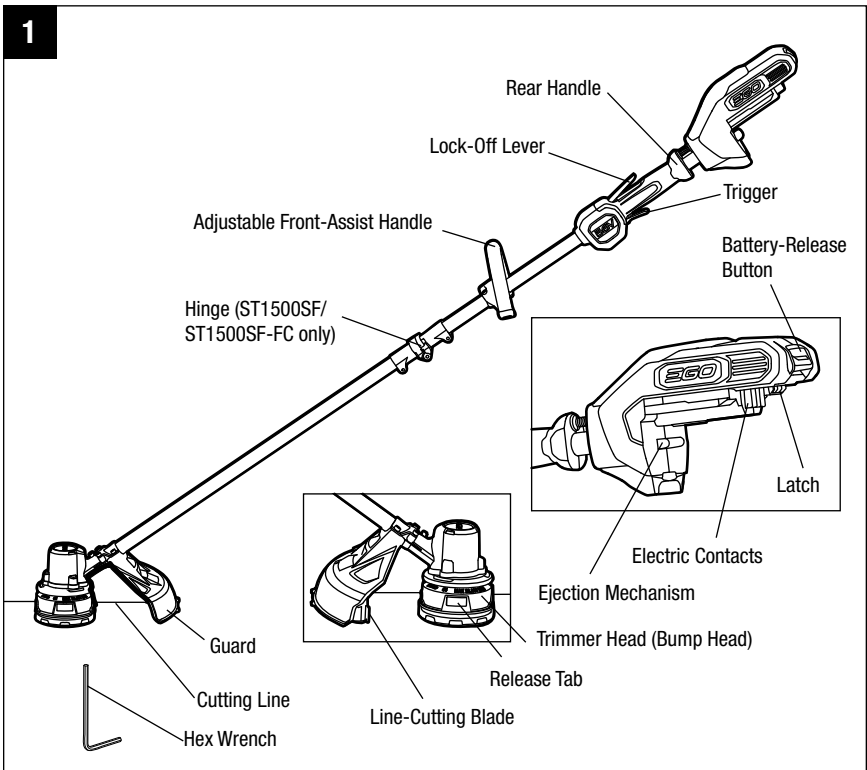
## PACKING LIST

PART NAME	QUANTITY
String trimmer	1
Guard	1
Front-assist handle assembly	1
Hex wrench	1
Bolts for locking shaft (ST1500SF/ST1500SF-FC Only)	2
Operator's manual	1

# DESCRIPTION

## KNOW YOUR STRING TRIMMER (Fig. 1)

The safe use of this product requires an understanding of the information on the tool and in this operator's manual, as well as knowledge of the project you are attempting. Before using this product, familiarize yourself with all operating features and safety rules.



**⚠ WARNING:** Never operate the tool without the guard securely in place. The guard must always be on the tool to protect the user.

**ADJUSTABLE FRONT-ASSIST HANDLE**

For easy control of the trimmer during cutting.

**REAR HANDLE**

Ergonomic handle with overmold improves comfort and grip.

**TRIGGER**

Turns the string trimmer On and Off and adjusts the trimmer head speed.

**LOCK-OFF LEVER**

Helps prevent accidental or unauthorized activation of the trigger. It must be depressed before the trigger can be activated.

**HINGE (ST1500SF/ST1500SF-FC ONLY)**

Connects and locks the two foldable shafts.

**TRIMMER HEAD (BUMP HEAD)**

Stores the cutting line and releases the cutting line when the head is lightly tapped on the ground during operation.

**GUARD**

Reduces the risk of injury from foreign objects flung backwards toward the operator and from contact with the cutting attachment.

**LINE-CUTTING BLADE**

Steel blade on the guard that maintains the cutting line at the proper length.

**BATTERY-RELEASE BUTTON**

Releases the battery pack from the tool.

**LATCH**

Secures the battery pack to the tool.

**EJECTION MECHANISM**

Aids in battery removal.

## ASSEMBLY

**⚠ WARNING:** If any parts are damaged or missing, do not operate this product until the parts are replaced. Use of this product with damaged or missing parts could result in serious personal injury.

**⚠ WARNING:** Do not attempt to modify this product or create accessories not recommended for use with this string trimmer. Any such alteration or modification is misuse and could result in a hazardous condition leading to possibly serious personal injury.

**⚠ WARNING:** Always remove the battery pack from the product when you are assembling parts, making adjustments, cleaning, or when the product is not in use.

## UNPACKING

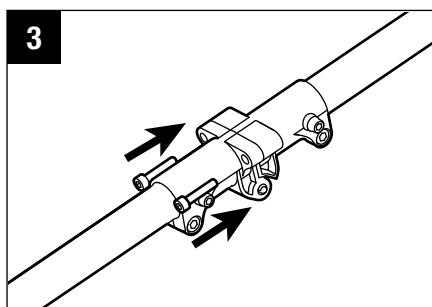
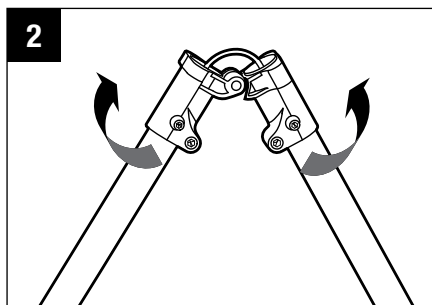
- This product requires assembly.
- Carefully remove the product and any accessories from the box. Make sure that all items listed in the packing list are included.
- Inspect the tool carefully to make sure that no breakage or damage occurred during shipping.
- Do not discard the packing material until you have carefully inspected and satisfactorily operated the tool.
- If any parts are damaged or missing, please return the product to the place of purchase.

## UNFOLDING THE SHAFT (ONLY FOR ST1500SF/ST1500SF-FC)

**⚠ WARNING:** In order to avoid pinching your hands or fingers, do not hold the shaft at the joints.

**⚠ WARNING:** Do not attempt to start the trimmer until the shaft has been locked.

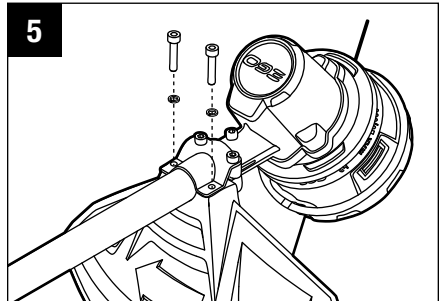
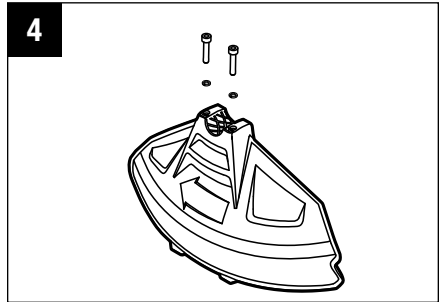
1. Remove the battery pack from the trimmer.
2. Put your trimmer on the ground and carefully unfold the shaft. Make sure that the cable is inside the shaft so that it will not be pinched when closing the joints (Fig. 2).
3. Use the supplied hex wrench to lock the shaft with the bolts supplied (Fig. 3).



## MOUNTING THE GUARD

**⚠ WARNING:** Always wear gloves when mounting or replacing the guard. Be careful of the blade on the guard and protect your hands from being injured by the blade.

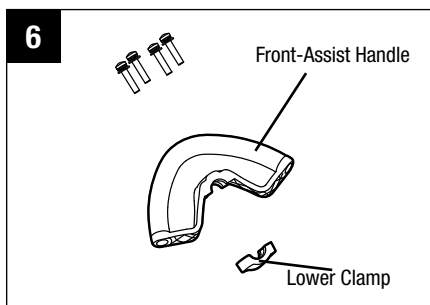
1. Remove the battery pack from the trimmer.
2. Loosen the two bolts in the guard with the supplied hex wrench; remove the bolts and spring washers from the guard (Fig. 4).
3. Lift the trimmer head and face it downward; align the two mounting holes in the guard with the two assembly holes in the base of the shaft. Make sure that the internal surface of the guard faces towards the trimmer head (Fig. 5).
4. Lock the guard in place with the two bolts and the supplied hex wrench.



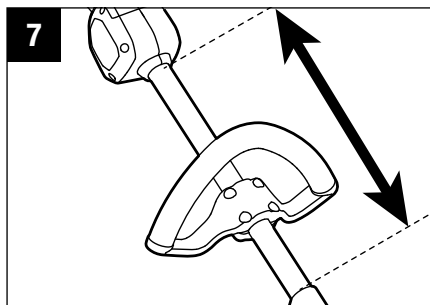
## MOUNTING AND ADJUSTING THE FRONT-ASSIST HANDLE

**⚠ WARNING:** Always remove the battery pack from the product when you are assembling parts, making adjustments, cleaning, or when the product is not in use.

1. Remove the battery pack from the trimmer.
2. Loosen the four screws in the handle with the supplied hex wrench and remove the screws and the lower clamp from the handle (Fig. 6).
3. Attach the front-assist handle and lower clamp on the shaft and secure them by pre-tightening the four screws. Turn the front-assist handle upwards so that it points toward the top of the handle (Fig. 7).



4. Adjust the front-assist handle position between the rear handle housing and the joint of the shaft, as shown in Fig. 7. For ST1500F/ST1500F-FC, adjust the handle position so that it is between the



rear handle housing and the warning label on the shaft. Shorter users may adjust the handle to a lower position (away from you) and taller users may adjust the handle to an upper position (towards you). The handle should be adjusted so your front arm will be straight when using the trimmer.

5. Tighten the four screws so that the handle cannot be rotated on the shaft.



## OPERATION

**⚠ WARNING:** Do not allow familiarity with this product to make you careless. Remember that a careless fraction of a second is sufficient to inflict serious injury.

**⚠ WARNING:** Always wear eye protection with side shields marked to comply with ANSI Z87.1, along with hearing protection. Failure to do so could result in objects being thrown into your eyes and other possible serious injuries.

**⚠ WARNING:** Do not use any attachments or accessories not recommended by the manufacturer of this product. The use of attachments or accessories not recommended can result in serious personal injury.

### TO INSTALL/REMOVE BATTERY PACK (Fig. 8 & 9)

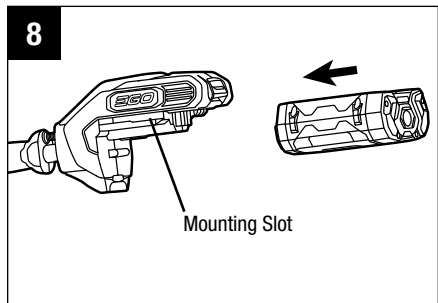
**⚠ WARNING:** Always remove the battery pack from the product when you are assembling parts, making adjustments, cleaning, or when not in use. Removing the battery pack will prevent accidental starting that could cause serious personal injury.

**NOTE:** Fully charge the battery pack before first use.

#### To install battery pack (Fig. 8)

1. Align the ribs of the battery pack with the mounting slots in the string trimmer's battery port.
2. Press the battery pack towards the trimmer head until it snaps into position.

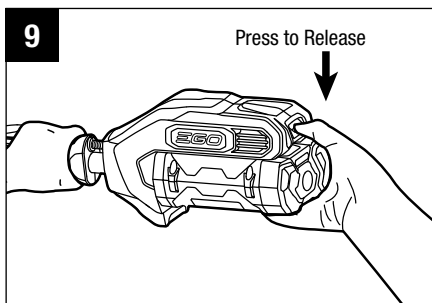
**NOTE:** Make sure that the latch on the string trimmer snaps into place and the battery pack is secured to the tool before beginning operation.



## To remove battery pack (Fig. 9)

**⚠ WARNING:** Always be aware of the location of your feet and children or pets around you when pressing the battery-release button. Serious injury could result if the battery pack falls. NEVER remove the battery pack at a high location.

1. Hold the battery pack in the palm of your hand.
2. Press the battery-release button with your thumb; the battery pack will disengage from the latch.
3. Grasp the battery pack and remove it from the string trimmer.



## HOLDING THE STRING TRIMMER

**⚠ WARNING:** Dress properly to reduce the risk of injury when operating this tool. Do not wear loose clothing or jewelry. Wear eye and ear/hearing protection. Wear heavy, long pants, boots and gloves. Do not wear short pants or sandals or go barefoot.

Before operating the unit, stand in the operating position and check that:

- The operator is wearing eye protection and proper clothing.
- One arm is slightly bent, and the hand on that arm is holding the rear handle.
- The other arm is straight, with that hand holding the front-assist handle.
- The trimmer head is parallel to the ground and easily contacts the material to be cut without the operator having to bend over (Fig. 10).



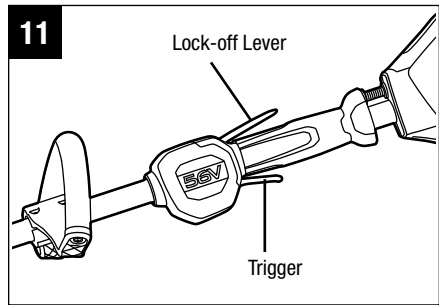
## STARTING/STOPPING THE STRING TRIMMER

Before starting the string trimmer

- Make sure that you have a secure and balanced footing.
- Stand upright and hold the string trimmer in a relaxed position.
- Make sure that the cutting line is not touching the ground or any other objects.
- Hold the string trimmer with both hands: one hand on the rear handle and one hand on the front-assist handle.

### To start the string trimmer (Fig. 11)

1. Press the lock-off lever down and hold it in that position. Depress the trigger to turn on the string trimmer.
2. The rotational speed of the cutting line is controlled with the variable speed trigger. More pressure on the trigger results in higher cutting speed; less pressure on the trigger results in lower cutting speed. Adjust the speed to suit the task at hand.



**NOTICE:** The motor runs only when the lock-off lever and trigger are both pressed .

### To stop the string trimmer

Release the lock-off lever and the trigger to stop the string trimmer.

**⚠ WARNING:** Always remove the battery pack from the string trimmer during work breaks and after finishing work.

## USING THE STRING TRIMMER

**⚠ WARNING:** To avoid serious personal injury, wear goggles or safety glasses at all times when operating this unit. Wear a face mask or dust mask in dusty locations.

Clear the area to be cut before each use. Remove all objects, such as rocks, broken glass, nails, wire, or string that can be thrown or become entangled in the cutting attachment. Clear the area of children, bystanders, and pets. At a minimum, keep all children, bystanders and pets at least 100 feet (30.5m) away; there still may be risk to bystanders from thrown objects. Bystanders should be encouraged to wear eye protection. If you are approached, stop the motor immediately.

**⚠ WARNING:** To prevent serious personal injury, remove the battery pack from the tool before servicing, cleaning, changing attachments or removing material from the unit.

### Check for damaged/worn parts before each use

Check the trimmer head, guard and front-assist handle and replace any parts that are cracked, warped, bent, or damaged in any way.

The line-cutting blade on the edge of the guard can dull over time. It is recommended that you periodically sharpen it with a file or replace it with a new blade.

**⚠ WARNING:** Always wear gloves when mounting or replacing the guard or when sharpening or replacing the blade. Note the location of the blade on the guard and protect your hand from injury.

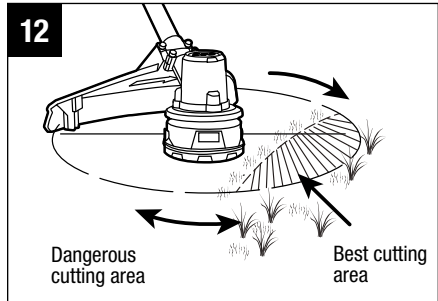
### Clean the trimmer after each use

See the Maintenance section for cleaning instructions.

**⚠ WARNING:** Never use water for cleaning your trimmer. Avoid using solvents when cleaning plastic parts. Most plastics are susceptible to damage from various types of commercial solvents. Use clean clothes to remove dirt, dust, oil, grease, etc.

## Tips for best trimming results (Fig. 12)

- The correct angle for the cutting attachment is parallel to the ground.
- Do not force the trimmer. Allow the very tip of the line to do the cutting (especially along walls). Cutting with more than the tip will reduce cutting efficiency and may overload the motor.
- The cutting height is determined by the distance of the cutting line from the lawn surface.
- Grass over 8 inches (200 mm) should be cut by working from top to the bottom in small increments to avoid premature line wear or motor drag.
- Slowly move the trimmer into and out of the area being cut, maintaining the cutting head position at the desired cutting height. This movement can be either a forward-backward motion or a side-to-side motion. Cutting shorter lengths produces best results.
- Trim only when grass and weeds are dry.
- Wire and picket fences can cause extra string wear or breakage. Stone and brick walls, curbs, and wood may wear strings rapidly.
- Avoid trees and shrubs. Tree bark, wood moldings, siding, and fence posts can easily be damaged by the strings.



## ADJUSTING CUTTING LINE LENGTH

The trimmer head allows the operator to release more cutting line without stopping the motor. As line becomes frayed or worn, additional line can be released by lightly tapping the trimmer head on the ground while operating the trimmer (Fig. 13).

**⚠ WARNING:** Do not remove or alter the line cutting blade assembly. Excessive line length will cause the motor to overheat and may result in serious personal injury.

For best results, tap the trimmer head on bare ground or hard soil. If line release is attempted in tall grass, the motor may overheat. Always keep the trimming line fully extended. Line release becomes more difficult as the cutting line becomes shorter.

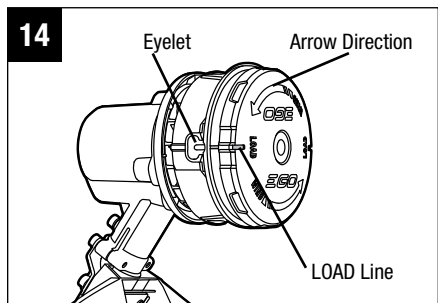
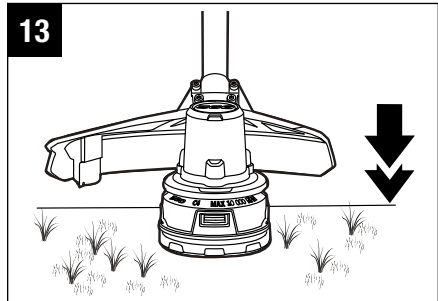
## LINE REPLACEMENT

**NOTICE:** Always use the recommended nylon cutting line with a diameter that does not exceed 0.095 in. (2.4 mm). Using line other than that specified may cause the string trimmer to overheat or become damaged.

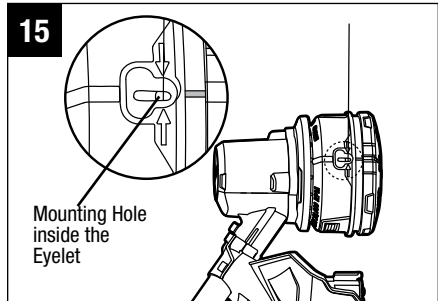
**⚠ WARNING:** Never use metal-reinforced line, wire, or rope, etc. These can break off and become dangerous projectiles.

**⚠ WARNING:** To prevent serious personal injury, remove the battery pack from the tool before servicing, cleaning, changing attachments or removing material from the unit.

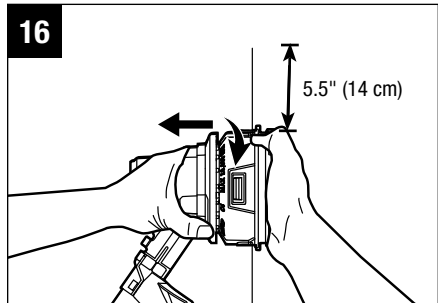
1. Remove the battery pack.
2. Rotate the spool retainer in the arrow direction as necessary to align the LOAD line on the spool retainer with the eyelets in the spool base (Fig. 14).



- Cut one piece of cutting line 16 ft. (5m) long. Insert the line into the mounting hole, which is located inside the eyelet. Push until the end of the line comes out of the other side of the spool base. Pull the line from the other side until equal amounts of line appear on both sides of the spool (Fig. 15).



- Press, while rotating the spool retainer in the direction indicated by the arrow, to wind the cutting line onto the spool until approximately 5.5in. (14cm) of line is showing on each side (Fig. 16).

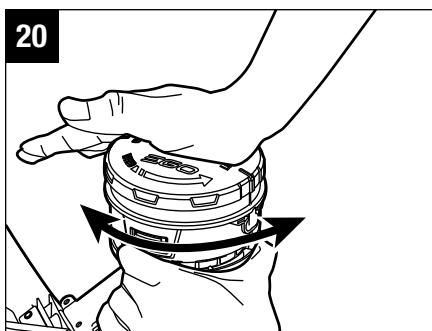
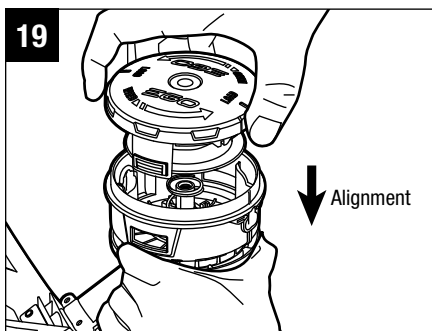
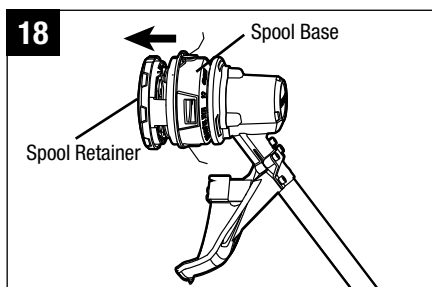
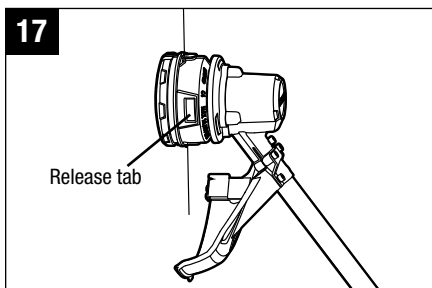


- Push the spool retainer down while pulling on lines to manually advance the line and to check for proper assembly of the trimmer head.

## RELOAD THE CUTTING LINE, IF NECESSARY

**NOTICE:** When the cutting line breaks from the line outlet or the cutting line is not released when the trimmer head is tapped, you need to remove the remaining cutting line from the spool retainer and follow the steps below to reload the line.

1. Remove the battery pack.
2. Press the release tabs on the spool retainer and remove the spool retainer by pulling it straight out (Fig. 17 & 18).
3. Remove the cutting line from the spool retainer.
4. With one hand holding the spool base, use another hand to grasp the spool retainer and align the tabs on the spool retainer with the holes in the spool base; use your palm to press and rotate the spool retainer left and right until the tabs lock with the spool base. (Fig. 19 & 20).
5. Following the instructions in "LINE REPLACEMENT" to reload the cutting line.





# MAINTENANCE

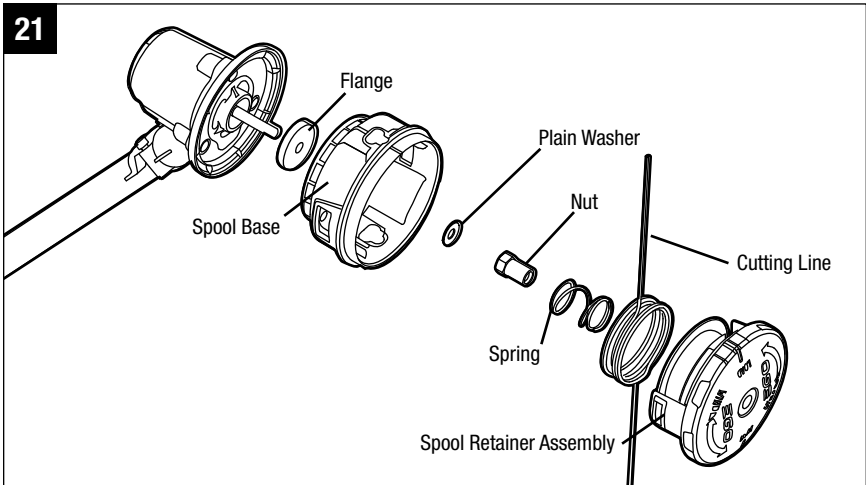
**⚠ WARNING:** When servicing, use only identical replacement parts. Use of any other parts may create a hazard or cause product damage. To ensure safety and reliability, all repairs should be performed by a qualified service technician.

**⚠ WARNING:** Battery tools do not have to be plugged into an electrical outlet; therefore, they are always in operating condition. To prevent serious personal injury, take extra precautions and care when performing maintenance, service or for changing the cutting attachment or other attachments.

**⚠ WARNING:** To prevent serious personal injury, remove the battery pack from the tool before servicing, cleaning, changing add-on attachments or removing material from the unit.

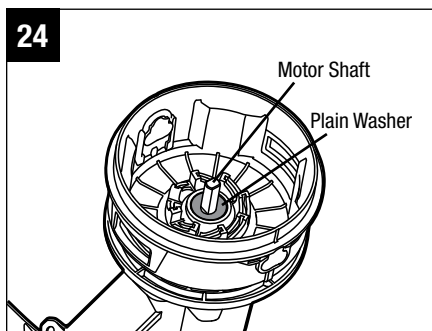
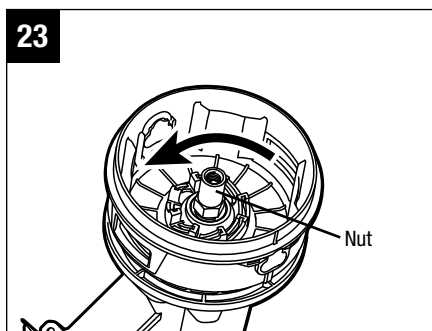
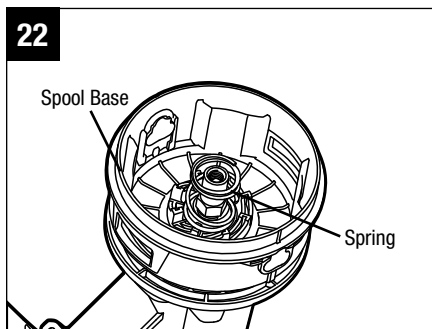
## TRIMMER HEAD REPLACEMENT

**⚠ DANGER:** If the head loosens after it is fixed in position, replace it immediately. Never use a trimmer with a loose cutting attachment. Replace a cracked, damaged or worn out cutting head immediately, even if damage is limited to superficial cracks. Such attachments may shatter at high speed and cause serious injury.

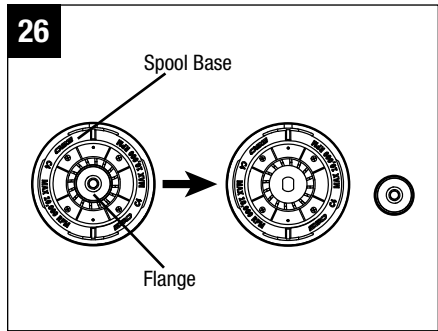
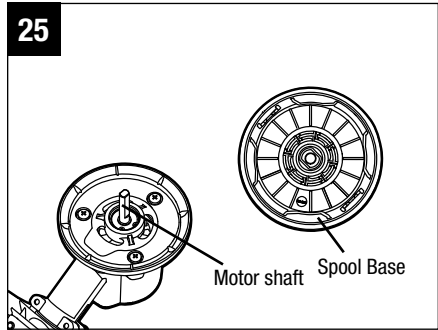


## Remove the trimmer head

1. Press the 2 release tabs on the spool retainer to remove it (see Fig. 17 & 18).
2. Pull the spring out of the spool base (Fig. 22).
3. Wear gloves to hold the spool base with one hand and, with the other hand, use an impact socket wrench (9/16" , 14mm) to loosen and remove the nut (Fig. 23).
4. Remove the plain washer from the motor shaft and save it for reassembly (Fig. 24).

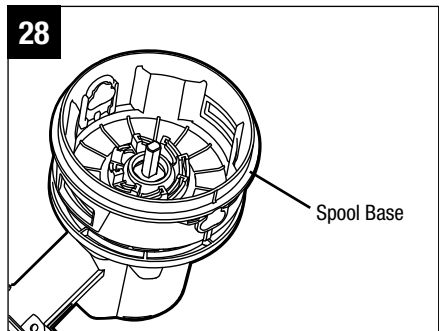
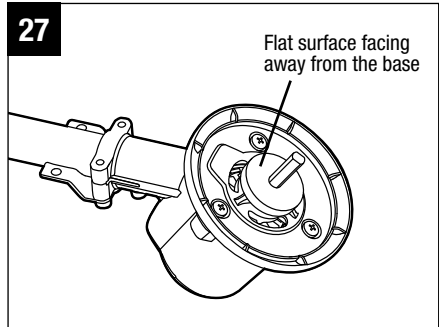


5. Hold the spool base and pull it straight out from the motor shaft (Fig. 25).
6. Remove the flange from the spool base and save it to secure the new spool base (Fig. 26).

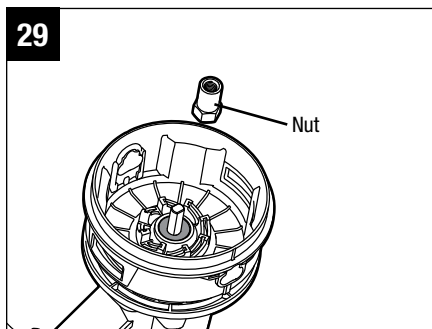


## Install the new trimmer head

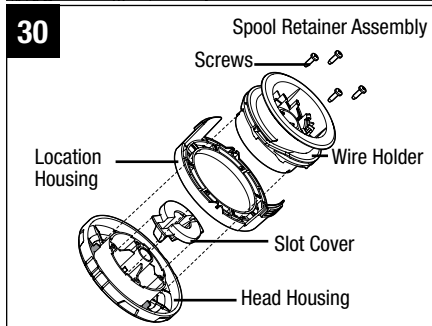
1. Position the flange removed in step 6 of the “remove the trimmer head” section onto the motor shaft with the flat surface facing away from the base (Fig. 27).
2. Align the mounting hole in the spool base with the motor shaft and mount the base onto the shaft (Fig. 28).
3. Position the plain washer onto the motor shaft (see Fig. 24).



4. Mount the nut onto the shaft and turn it clockwise by hand to pre-tighten it (Fig. 29).
5. Wear gloves to hold the spool base with one hand, and, with the other hand, use a socket wrench (9/16", 14mm) to tighten the nut onto the shaft.
6. Fit the spring into the spool base and make sure it is pressed into position (Fig. 22).
7. With one hand holding the spool base, use the other hand to grasp the spool retainer and align the tabs on the spool retainer with the holes in the spool base. Use your palm to press and rotate the spool retainer left and right until the tabs lock with the spool base (Fig. 19 & 20).



8. If any parts of the spool retainer assembly are damaged or worn, replace the damaged part and reassemble them as following showing (Fig. 30).



**NOTICE:** If the spool retainer assembly is disassembled, during reassembly, ensure that the notch in the wire holder is correctly aligned with the corresponding tab in the head housing (Fig. 30).

## CLEAN THE UNIT

- Clear any grass that may have wrapped itself around the motor shaft or trimmer head.
- Use a small brush or a small brush and a small vacuum cleaner to clean the air vents on the rear housing.
- Keep the air vents free of obstructions.
- Clean the unit using a damp cloth with a mild detergent.
- Do not use any strong detergents on the plastic housing or the handle. They can be damaged by certain aromatic oils, such as pine and lemon. Do not use solvents such as kerosene. Moisture can also cause a shock hazard. Wipe off any moisture with a soft dry cloth.

## SHARPEN THE LINE-CUTTING BLADE

**⚠ WARNING:** Always protect your hands by wearing heavy gloves when performing any maintenance on the line-cutting blade.

1. Remove the line-cutting blade from the guard.
2. Secure the blade in a vise.
3. Wear proper eye protection and gloves and be careful not to cut yourself.
4. Carefully file the cutting edges of the blade with a fine-tooth file or sharpening stone, maintaining the original cutting edge angle.
5. Replace the blade on the guard and secure it in place with the two screws.

## STORING THE UNIT

- Remove the battery pack from the trimmer.
- Clean the tool thoroughly before storing it.
- Store the unit in a dry, well-ventilated area, locked-up or up high, out of the reach of children. Do not store the unit on or adjacent to fertilizers, gasoline, or other chemicals.

# TROUBLESHOOTING

PROBLEM	CAUSE	SOLUTION
String trimmer fails to start.	<ul style="list-style-type: none"> <li>■ The battery pack is not attached to the trimmer.</li> <li>■ No electrical contact between the trimmer and battery.</li> <li>■ The battery pack is depleted.</li> <li>■ The lock-off lever and trigger are not depressed simultaneously.</li> </ul>	<ul style="list-style-type: none"> <li>■ Attach the battery pack to the trimmer.</li> <li>■ Remove battery, check contacts and reinstall the battery pack.</li> <li>■ Charge the battery pack.</li> <li>■ Press the lock-off lever and hold it, then depress the trigger to turn on the string trimmer.</li> </ul>
String trimmer stops while cutting.	<ul style="list-style-type: none"> <li>■ The guard is not mounted on the trimmer, resulting in an overly long cutting line and motor overload.</li> <li>■ Heavy cutting line is used.</li> <li>■ The motor shaft or trimmer head is bound with grass.</li> <li>■ The motor is overloaded.</li> <li>■ The battery pack or string trimmer is too hot.</li> <li>■ The battery pack is disconnected from the tool.</li> <li>■ The battery pack is depleted.</li> </ul>	<ul style="list-style-type: none"> <li>■ Remove the battery pack and mount the guard on the trimmer.</li> <li>■ Use recommended nylon cutting line with diameter no greater than 0.095 in. (2.4 mm).</li> <li>■ Stop the trimmer, remove the battery, and remove the grass from the motor shaft and trimmer head.</li> <li>■ Remove the trimmer head from the grass. The motor will recover to work as soon as the load is removed. When cutting, move the trimmer head in and out of the grass to be cut and remove no more than 8 inches of length in a single cut.</li> <li>■ Allow the battery pack or trimmer to cool until the temperature drops below 152°F (67°C).</li> <li>■ Re-install the battery pack.</li> <li>■ Charge the battery pack.</li> </ul>

PROBLEM	CAUSE	SOLUTION
<p>Trimmer head will not advance line.</p>	<ul style="list-style-type: none"> <li>■ The motor shaft or trimmer head is bound with grass.</li> <li>■ There is not enough line on the spool.</li> <li>■ The trimmer head is dirty.</li> <li>■ The line is tangled on the spool.</li> <li>■ The line is too short.</li> </ul>	<ul style="list-style-type: none"> <li>■ Stop the trimmer, remove the battery, and clean the motor shaft and trimmer head.</li> <li>■ Remove the battery and replace the cutting line; follow the section "LINE REPLACEMENT" in this manual.</li> <li>■ Remove the battery and clean the spool, spool retainer and spool base.</li> <li>■ Remove the battery, remove the line from the spool and rewind; follow the section "RELOAD THE CUTTING LINE" in this manual.</li> <li>■ Remove the battery and pull the lines manually while alternately pressing down and releasing the trimmer head.</li> </ul>
<p>Grass wraps around trimmer head and motor housing.</p>	<ul style="list-style-type: none"> <li>■ Cutting tall grass at ground level.</li> </ul>	<ul style="list-style-type: none"> <li>■ Cut tall grass from the top down, removing no more than 8 inches in each pass to prevent wrapping.</li> </ul>
<p>The blade is not cutting the line.</p>	<ul style="list-style-type: none"> <li>■ The line-cutting blade on the edge of the guard has become dull.</li> </ul>	<ul style="list-style-type: none"> <li>■ Sharpen the line-cutting blade with a file or replace it with a new blade.</li> </ul>
<p>Cracks on the trimmer head or the spool retainer comes loose with spool base.</p>	<ul style="list-style-type: none"> <li>■ The trimmer head is worn out.</li> </ul>	<ul style="list-style-type: none"> <li>■ Replace the trimmer head immediately; follow the section "TRIMMER HEAD REPLACEMENT" in this manual.</li> </ul>
<p>During line replacement, the line can't be loaded into the trimmer head properly.</p>	<ul style="list-style-type: none"> <li>■ Spool retainer's LOAD lines do not align with the eyelets in the spool base.</li> <li>■ The string line is not correctly inserted into the mounting hole in the eyelet.</li> </ul>	<ul style="list-style-type: none"> <li>■ Rotate the spool retainer in the arrow direction to align the LOAD lines on the spool retainer with the eyelets in the spool base</li> <li>■ Align the LOAD lines with the eyelets first, then insert the line into the mounting hole, which is located inside the eyelet.</li> </ul>



# WARRANTY

## EGO WARRANTY POLICY

5-year limited warranty on EGO POWER+ outdoor power equipment and portable power for personal, household use.

3-year limited warranty on EGO POWER+ System battery packs and chargers for personal, household use.

2 year/1year limited warranty on EGO outdoor power equipment, portable power, battery packs, and chargers for professional and commercial use.

The detailed warranty periods by products can be found online at

<http://egopowerplus.com/pages/warranty-policy>.

**Please contact EGO Customer Service Toll-Free at 1-855-EGO-5656** any time you have questions or warranty claims.

## LIMITED SERVICE WARRANTY

EGO products are warranted against defects in material or workmanship from the date of original retail purchase for the applicable warranty period. Defective product will receive free repair.

- a) This warranty applies only to the original purchaser from an authorized EGO retailer and may not be transferred. Authorized EGO retailers are identified online at <http://egopowerplus.com/pages/warranty-policy>.
- b) The warranty period for reconditioned or factory certified products used for residential purpose is 1 year, for industrial, professional or commercial purpose is 90 days.
- c) The warranty period for routine maintenance parts, such as, but not limited to, blades, trimmer heads, chain bars, saw chains, belts, scraper bars, blower nozzles, and all other EGO accessories is 90 days for residential purpose, 30 days for industrial, professional or commercial purpose. These parts are covered for 90/30 days from manufacture defects in normal working conditions.
- d) This warranty is void if the product has been used for rental purpose.
- e) This warranty does not cover the damage resulting from modification, alteration or unauthorized repair.



- f) This warranty only covers defects arising under normal usage and does not cover any malfunction, failure or defect resulting from misuse, abuse (including overloading of the product beyond capacity and immersion in water or other liquid), accidents, neglect or lack of proper installation, and improper maintenance or storage.
- g) This warranty does not cover normal deterioration of the exterior finish, including but not limited to scratches, dents, paint chips, or to any corrosion or discoloring by heat, abrasive and chemical cleaners.

## HOW TO OBTAIN SERVICE

For warranty service, please contact EGO customer service toll-free at **1-855-EGO-5656**. When requesting warranty service, you must present the original dated sales receipt. An authorized service center will be selected to repair the product according to the stated warranty terms. When bringing your product to the authorized service center, there may be a small deposit that will be required when dropping off your tool. This deposit is refundable when the repair service is deemed to be covered under warranty.

## ADDITIONAL LIMITATIONS

To the extent permitted by applicable law, all implied warranties, including warranties of MERCHANTABILITY or FITNESS FOR A PARTICULAR PURPOSE, are disclaimed. Any implied warranties, including warranties of merchantability or fitness for a particular purpose, that cannot be disclaimed under state law are limited to the applicable warranty period defined at the beginning of this article.

Chervon North America is not responsible for direct, indirect, incidental or consequential damages.

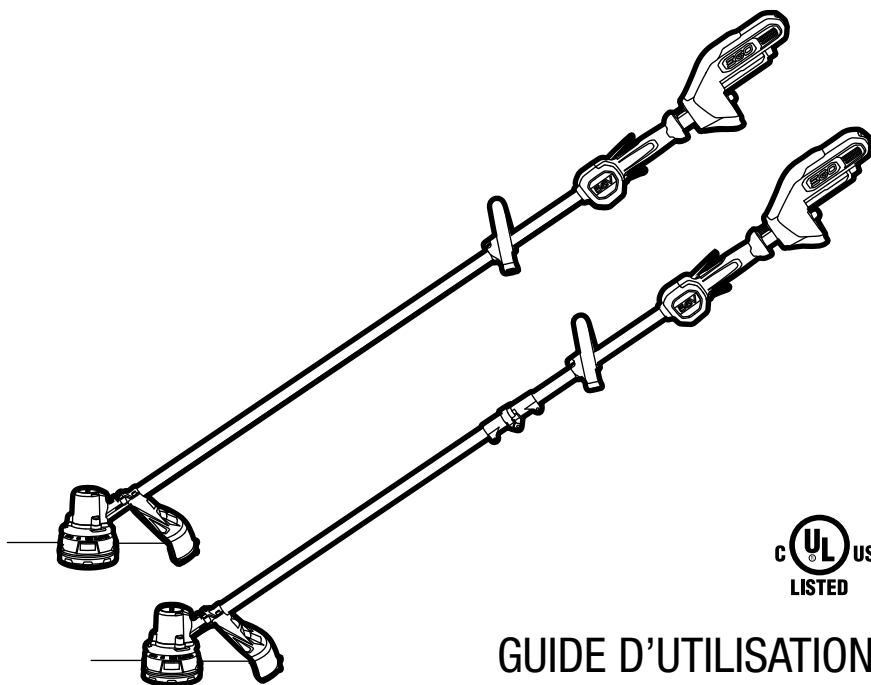
Some states do not allow limitations on how long an implied warranty lasts and/or do not allow the exclusion or limitation of incidental or consequential damages, so the above limitations may not apply to you.

This warranty gives you specific legal rights, and you may also have other rights which vary from state to state.

For customer service contact us toll-free at: **1-855-EGO-5656** or **EGOPOWERPLUS.COM**. EGO Customer Service, 769 SEWARD AVE NW / Suite 102 Grand Rapids, MI 49504

# EGO™

POWER<sup>+</sup> STRING TRIMMER



GUIDE D'UTILISATION

## TAILLE-BORDURE SANS FIL DE 38 CM À BLOC-PILE AU LITHIUM-ION DE 56 VOLTS

NUMÉRO DE MODÈLE  
ST1500F/ST1500F-FC (TIGE DROITE)  
ST1500SF/ST1500SF-FC (TIGE À CHARNIÈRE)

**⚠ AVERTISSEMENT :** Afin de réduire les risques de blessure, l'utilisateur doit lire et comprendre le guide d'utilisation avant d'utiliser ce produit. Conservez le présent guide afin de pouvoir le consulter ultérieurement.

## **TABLE DES MATIÈRES**

Symboles de sécurité .....	38
Consignes de sécurité .....	39-43
Introduction .....	43
Caractéristiques techniques .....	44
Liste des pièces contenues dans l'emballage .....	44
Description .....	45-46
Assemblage .....	47-50
Fonctionnement .....	51-58
Entretien .....	59-64
Dépannage .....	65-67
Garantie .....	68-69

# LISEZ TOUTES LES INSTRUCTIONS!



LIRE ET COMPRENDRE TOUTES LES  
INSTRUCTIONS DU GUIDE.

**⚠ AVERTISSEMENT :** La poussière créée par le ponçage, le sciage, le meulage, le perçage et autres activités de construction peut contenir des produits chimiques connus dans l'État de la Californie comme étant la cause de cancer, d'anomalies congénitales et d'autres problèmes du système reproducteur. Voici des exemples de ces produits chimiques :

- le plomb contenu dans la peinture au plomb;
- la silice cristallisée contenue dans les briques, le ciment et d'autres produits de maçonnerie; et
- l'arsenic et le chrome contenus dans le bois d'œuvre traité avec des produits chimiques.

Les risques liés à l'exposition à ces produits varient en fonction de la fréquence à laquelle vous effectuez ce type de travaux. Pour réduire votre exposition à ces produits chimiques : travaillez dans une zone bien ventilée et portez l'équipement de sécurité approuvé, comme les masques antipoussières conçus pour ne pas laisser passer les particules microscopiques.

## SYMBOLES DE SÉCURITÉ

L'objectif des symboles de sécurité est d'attirer votre attention sur les dangers potentiels. Vous devez examiner attentivement et bien comprendre les symboles de sécurité et les explications qui les accompagnent. Les symboles d'avertissement en tant que tels n'éliminent pas le danger.

Les consignes et les avertissements qui y sont associés ne remplacent en aucun cas les mesures préventives adéquates.

**⚠ AVERTISSEMENT** : Avant d'utiliser ce taille-bordure, assurez-vous de lire et de comprendre toutes les consignes de sécurité présentées dans le présent guide d'utilisation, notamment toutes les consignes de sécurité indiquées par « DANGER », « AVERTISSEMENT » et « ATTENTION ». Le fait de ne pas respecter toutes les consignes de sécurité ci-dessous peut causer une décharge électrique, un incendie ou des blessures graves.

### SIGNIFICATION DES SYMBOLES

**⚠ SYMBOLE D'ALERTE DE SÉCURITÉ** : Indique un DANGER, un AVERTISSEMENT ou une MISE EN GARDE. Il peut être associé à d'autres symboles ou pictogrammes.



**⚠ AVERTISSEMENT!** L'utilisation de tout outil électrique peut entraîner la projection de corps étrangers dans les yeux et ainsi causer des lésions oculaires graves. Avant d'utiliser un outil électrique, veillez à toujours porter des lunettes de sécurité couvrantes ou à écrans latéraux, ou un masque complet au besoin. Nous recommandons le port d'un masque de sécurité panoramique par-dessus les lunettes de vue ou de lunettes de sécurité standard avec écrans latéraux. Portez toujours des lunettes de sécurité conformes à la norme ANSI Z87.1.

# CONSIGNES DE SÉCURITÉ

Vous trouverez ci-dessous les symboles de sécurité qui peuvent être présents sur le produit, accompagnés de leur description. Vous devez lire, comprendre et suivre toutes les instructions présentes sur l'appareil avant d'entamer son assemblage ou sa manipulation.

	Alerte de sécurité	Indique un risque de blessure.
	Lire le guide d'utilisation	Afin de réduire les risques de blessure, l'utilisateur doit lire le guide d'utilisation.
	Lunettes de sécurité	Lorsque vous utilisez l'article, portez toujours des lunettes de sécurité couvrantes ou à écrans latéraux, ou un masque complet.
	Symboles de recyclage	Le produit fonctionne à l'aide de piles au lithium-ion (Li-ion). La législation locale, provinciale ou fédérale peut interdire la mise au rebut des blocs-piles dans une poubelle ordinaire. Consultez l'organisme local de gestion des déchets au sujet des possibilités offertes en ce qui concerne la mise au rebut ou le recyclage.
IPX4	Niveau de protection d'indice	Protection contre les projections d'eau
V	Volt	Tension
mm	Millimètre	Longueur ou taille
cm	Centimètre	Longueur ou taille
in.	Pouce	Longueur ou taille
kg	Kilogramme	Poids
lb	Livre	Poids
CC	Courant continu	Type de courant ou caractéristique de courant
TR/MIN	Tours par minute	Vitesse de rotation

## CONSIGNES DE SÉCURITÉ IMPORTANTES

**⚠ AVERTISSEMENT!** Lorsque vous utilisez le taille-bordure, vous devez toujours suivre les consignes de sécurité élémentaires ci-dessous afin de réduire le risque d'incendie, de décharge électrique et de blessure.

### LISEZ TOUTES LES INSTRUCTIONS!

**⚠ DANGER!** Ne comptez pas sur l'isolation du taille-bordure pour vous protéger des décharges électriques. Afin de réduire les risques d'électrocution, n'utilisez jamais l'outil à proximité de fils ou de câbles susceptibles d'être sous tension.

**⚠ ATTENTION!** Portez des protecteurs d'oreilles appropriés lorsque vous utilisez le taille-bordure. Dans certaines conditions et selon la durée d'utilisation, le bruit produit par le taille-bordure peut entraîner une perte auditive.

- **Maintenez les enfants à l'écart.** Tous les visiteurs doivent se tenir à une distance d'au moins 30,48 m de la zone de travail.
- **Évitez les environnements dangereux** - Ne pas utiliser d'appareils de pente humide ou mouillé.
- **Habillez-vous convenablement.** Ne portez pas de vêtements amples ni de bijoux qui peuvent s'accrocher. Ils pourraient se coincer dans les pièces mobiles du taille-bordure. Le port de gants de caoutchouc et de chaussures adaptées est recommandé lorsque vous travaillez à l'extérieur. Portez une coiffe de protection pour retenir les cheveux longs.
- **Portez des lunettes de sécurité.** Portez toujours un masque de protection ou un masque antipoussières lorsque l'endroit est poussiéreux.
- **Utilisez l'outil adapté à la tâche.** N'utilisez pas le taille-bordure à des fins autres que celles pour lesquelles il a été conçu.
- **Ne forcez pas le taille-bordure.** Si vous l'utilisez au rythme approprié, il vous permettra de mieux accomplir le travail avec moins de risques de blessure.
- **N'essayez pas d'étendre votre portée.** Gardez une posture sécuritaire et un bon équilibre en tout temps.
- **Soyez vigilant Faites attention à ce que vous faites.** Faites preuve de bon sens. N'utilisez pas le taille-bordure lorsque vous êtes fatigué.
- **N'utilisez pas le taille-bordure sous l'effet de l'alcool ou de drogues.**
- **Assurez-vous que les protecteurs sont bien en place et en état de fonctionnement.**
- **Gardez les mains et les pieds à distance de la zone de coupe.**
- **Rangez le taille-bordure à l'intérieur.** Lorsque vous n'utilisez pas le taille-bordure, rangez-le à l'intérieur, hors de portée des enfants, dans un endroit sec et en hauteur ou dans un endroit verrouillé, et retirez le bloc-pile.



- **Entretenez soigneusement le taille-bordure.** Gardez l'accessoire de coupe propre pour obtenir un meilleur rendement et pour réduire les risques de blessure. Suivez les instructions pour changer les accessoires. Les poignées doivent toujours être sèches, propres et exemptes d'huile ou de graisse.
- **Vérifiez si des pièces sont endommagées.** Avant d'utiliser le taille-bordure, inspectez soigneusement les protecteurs ou les autres pièces endommagées pour déterminer s'ils peuvent fonctionner correctement et être utilisés normalement. Vérifiez l'alignement des pièces mobiles et leur fixation ainsi que l'état et l'assemblage des pièces, et recherchez tout autre problème pouvant nuire au fonctionnement du taille-bordure. Si un protecteur ou une autre pièce sont endommagés, ils doivent être réparés correctement ou remplacés par un centre de service autorisé à moins d'indications contraires dans le présent guide.
- **Avant chaque utilisation, dégagez l'aire de travail.** Enlevez tous les objets, comme les cailloux, les éclats de verre, les clous, les câbles ou les fils, qui pourraient être projetés par le taille-bordure ou qui pourraient rester coincés dans le dispositif de coupe. Assurez-vous qu'il n'y a aucune personne ni aucun animal à moins de 30,48 m.
- **Lorsque vous utilisez le taille-bordure, tenez-le fermement par les poignées, avec les deux mains.** Refermez les doigts et les pouces autour des poignées.
- **Pour éviter de mettre en marche le taille-bordure accidentellement,** ne le transportez pas en ayant le doigt sur la gâchette.
- **Ne faites pas fonctionner le taille-bordure dans un endroit présentant un risque d'explosion ni en présence de gaz.** Le moteur du taille-bordure produit habituellement des étincelles qui pourraient enflammer les vapeurs.
- **Taille-bordure endommagé :** si vous heurtez un objet quelconque avec le taille-bordure, ou si un objet s'introduit dans le taille-bordure, arrêtez ce dernier immédiatement. Vérifiez s'il est endommagé et, le cas échéant, faites-le réparer avant de le réutiliser. N'utilisez pas le taille-bordure si le protecteur ou la bobine sont brisés.
- **Si le taille-bordure venait à vibrer de manière anormale, arrêtez le moteur et trouvez immédiatement la cause des vibrations.** Les vibrations indiquent généralement un problème. Une tête desserrée peut vibrer, se fissurer, se briser ou se détacher du taille-bordure et ainsi entraîner des blessures graves, voire mortelles. Assurez-vous que le dispositif de coupe est correctement fixé. Si la tête se desserre après avoir été mise en place, remplacez-la immédiatement. N'utilisez jamais le taille-bordure si le dispositif de coupe n'est pas serré fermement.
- **Remplacez immédiatement la tête de coupe si elle est fissurée, endommagée ou usée, même si elle ne présente que des fissures superficielles.** Ces pièces peuvent se briser à haute vitesse et causer des blessures graves, voire mortelles.
- **Lorsque vous utilisez le taille-bordure, vérifiez régulièrement le dispositif de coupe, ou dès que vous remarquez un changement au niveau de la coupe.**

- **Lorsque vous remplacez le fil de coupe, n'utilisez pas de fil de nylon de plus de 2,4 mm.** L'utilisation d'un fil dont le calibre est supérieur à celui recommandé par le fabricant augmente la charge imposée au moteur et diminue la vitesse de fonctionnement. De plus, cela entraîne une surchauffe et peut endommager la taille-bordure.
- **Afin de réduire les risques de blessure grave, n'utilisez jamais de fil métallique, de fil renforcé de métal ni d'autre matériau à la place du fil de coupe en nylon.** Des morceaux de métal pourraient être projetés à grande vitesse vers vous ou les personnes à proximité.
- **Pour réduire les risques de blessure causée par une perte de contrôle, n'utilisez jamais la taille-bordure lorsque vous êtes sur une échelle ou sur un autre type d'échafaudage instable. Ne tenez jamais le dispositif de coupe au-dessus de la taille.**
- **S'il se produit une situation qui ne figure pas dans le présent manuel, faites preuve de prudence et de jugement. Communiquez avec le centre de service d'EGO pour obtenir de l'aide.**
- **Ne rechargez pas le bloc-pile sous la pluie ni dans un endroit humide.**
- Utilisez le produit uniquement avec les blocs-piles et les chargeurs indiqués ci-dessous :

BLOC-PILE	CHARGEUR
BA1120, BA1120-FC, BA1400, BA1400-FC, BA2240, BA2240-FC, BA2800, BA2800-FC, BA4200, BA4200-FC, BA1400T, BA1400T-FC, BA2800T, BA2800T-FC, BA4200T, BA4200T-FC, BA5600T, BA5600T-FC	CH2100, CH2100-FC, CH5500, CH5500-FC

- **Ne jetez pas le bloc-pile au feu. Les cellules pourraient exploser.** Consultez la réglementation locale pour connaître les instructions de mise au rebut.
- **N'ouvrez pas et n'abîmez pas le bloc-pile.** L'électrolyte qu'il contient est corrosif et peut causer des lésions oculaires ou cutanées. Il peut être toxique s'il est ingéré.
- **Manipulez le bloc-pile avec soin pour ne pas créer un court-circuit avec des matériaux conducteurs comme des bagues, des bracelets ou des clés.** Le bloc-pile ou le conducteur peuvent surchauffer et causer des brûlures.
- **Pièces de rechange :** lorsque vous procédez à l'entretien, utilisez uniquement des pièces de remplacement EGO identiques aux pièces d'origine. L'utilisation de toute autre pièce peut augmenter le risque de blessure.

- **Les outils munis d'un bloc-pile n'ont pas besoin d'être branchés sur une prise de courant. Par conséquent, ils sont toujours prêts à l'emploi.** Gardez à l'esprit qu'il existe des dangers potentiels même lorsque l'outil ne fonctionne pas. Soyez prudents lorsque vous effectuez l'entretien ou des réparations.
- **Enlevez ou débranchez le bloc-pile avant de procéder à l'entretien ou au nettoyage du taille-bordure ou de retirer des pièces.**
- **Ne nettoyez pas le taille-bordure avec un jet d'eau, car de l'eau pourrait s'infiltrer dans le moteur et les connexions électriques.**
- **N'incinerez pas l'appareil, même s'il est sérieusement endommagé.** Les piles risquent d'exploser si elles sont en contact avec le feu.
- **N'exposez pas un bloc-piles ou un appareil à un feu ou à une température excessive.** L'exposition au feu ou à une température supérieure à 100 °C (212 °F) peut provoquer une explosion.
- **Conservez ces instructions.** Consultez-les régulièrement et utilisez-les pour expliquer le fonctionnement de l'outil à d'autres personnes qui l'utiliseraient. Si vous prêtez cet outil à une personne, prêtez-lui également ces instructions afin de prévenir un usage inapproprié et des blessures potentielles.

### **CONSERVEZ CES INSTRUCTIONS!**

## **INTRODUCTION**

Nous vous félicitons d'avoir choisi ce taille-bordure EGO sans fil de 38 cm à bloc-pile au lithium-ion de 56 volts. Cette scie a été conçue et fabriquée afin de vous offrir la meilleure fiabilité et le meilleur rendement possible.

Si vous éprouvez un problème que vous n'arrivez pas à régler facilement, veuillez communiquer avec le centre de service à la clientèle d'EGO au 1-855-EGO-5656.

Le présent guide contient des renseignements importants pour assembler, utiliser et entretenir le taille-bordure en toute sécurité. Lisez-le soigneusement avant d'utiliser le taille-bordure. Conservez ce guide à portée de main afin de pouvoir le consulter à tout moment.

NUMÉRO DE SÉRIE \_\_\_\_\_ DATE D'ACHAT\_ \_\_\_\_\_

NOUS VOUS RECOMMANDONS DE NOTER LE NUMÉRO DE SÉRIE ET LA DATE D'ACHAT ET DE LES CONSERVER EN LIEU SÛR AFIN DE POUVOIR LES CONSULTER ULTÉRIEUREMENT.

## CARACTÉRISTIQUES TECHNIQUES

Tension	56 V, CC
Vitesse à vide	4000-5800 TR/MIN
Mécanisme de coupe	Tête de coupe
Type de fil de coupe	Fil de nylon torsadé 2,4 mm (0.095 po)
Largeur de coupe	38 cm (15 po)
Température de fonctionnement recommandée	0°C-40°C(32°F-104°F)
Température de stockage recommandée	-20°C-70°C(-4°F-158°F)
Poids (sans le bloc-pile)	3,33 kg (7,33 lb)

### Fil De Coupe Recommandé

NOM DE PIÈCE	TYPE	NUMÉRO DE MODÈLE
Fil de coupe	Fil torsadé de 2,4 mm (0.095 po) (recommandé)	AL2415S AL2450S AL2420P

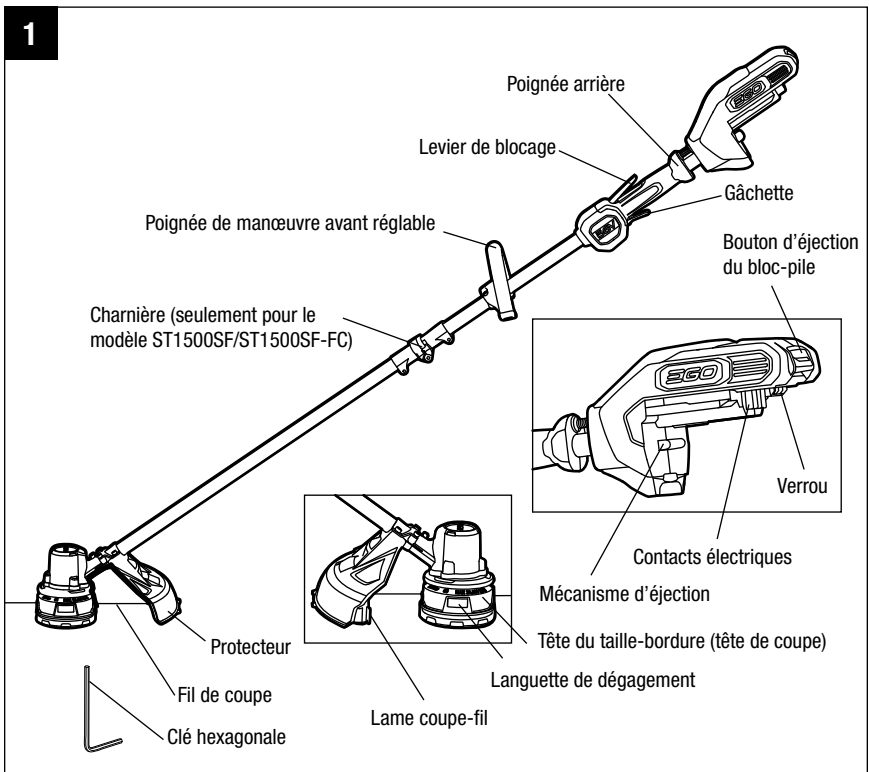
## LISTE DES PIÈCES CONTENUES DANS L'EMBALLAGE

NOM DE PIÈCE	QUANTITÉ
Taille-bordure	1
Protecteur	1
Poignée de manœuvre avant	1
Clé hexagonale	1
Boulons pour verrouiller le manche (seulement pour le modèle ST1500SF/ST1500SF-FC)	2
Guide d'utilisation	1

# DESCRIPTION

## FAMILIARISEZ-VOUS AVEC LE TAILLE-BORDURE (figure 1)

Pour utiliser ce produit en toute sécurité, vous devez comprendre les renseignements le concernant contenus dans ce guide d'utilisation et connaître le projet que vous entreprenez. Avant d'utiliser ce produit, familiarisez-vous avec toutes les caractéristiques de fonctionnement et consignes de sécurité.



**⚠ AVERTISSEMENT :** N'utilisez jamais le taille-bordure si le protecteur n'est pas bien en place. Le protecteur doit toujours être installé sur le taille-bordure pour vous protéger.

**POIGNÉE DE MANŒUVRE AVANT RÉGLABLE**

Permet de contrôler facilement le taille-bordure pendant la coupe.

**POIGNÉE ARRIÈRE**

Poignée ergonomique surmoulée améliorant le confort et la prise.

**GÂCHETTE**

Permet de mettre en marche et d'arrêter le taille-bordure et d'en ajuster la vitesse de la tête.

**LEVIER DE BLOCAGE**

Aide à prévenir l'activation accidentelle de la gâchette. Il doit être maintenu enfoncé afin d'enclencher la gâchette.

**CHARNIÈRE (SEULEMENT POUR LE MODÈLE ST1500SF/ST1500SF-FC)**

Raccorde et verrouille les deux parties du manche.

**TÊTE DU TAILLE-BORDURE (TÊTE DE COUPE)**

Contient le fil de coupe et le dégage lorsque la tête est frappée légèrement contre le sol pendant que l'appareil est en.

**PROTECTEUR**

Réduit les risques de blessure causée par la projection d'objets quelconques vers l'utilisateur et empêche tout contact avec le dispositif de coupe.

**LAME COUPE-FIL**

Lame en acier située sur le protecteur qui permet de garder le fil de coupe à la longueur appropriée.

**BOUTON D'ÉJECTION DU BLOC-PILE**

Permet de retirer le bloc-pile du taille-bordure.

**VERROU**

Permet de bloquer le bloc-pile lorsque celui-ci est installé sur le taille-bordure.

**MÉCANISME D'ÉJECTION**

Aide à retirer le bloc-pile.

## ASSEMBLAGE

**⚠ AVERTISSEMENT :** S'il y a des pièces manquantes ou endommagées, ne tentez pas d'utiliser la scie à chaîne tant que ces pièces n'auront pas été remplacées. L'utilisation du taille-bordure avec des pièces endommagées ou manquantes peut causer des blessures graves.

**⚠ AVERTISSEMENT :** Ne tentez pas de modifier le taille-bordure ou de créer des accessoires qui ne sont pas recommandés pour une utilisation avec ce taille-bordure. Toute altération ou modification de ce type constitue un usage inapproprié et peut engendrer une situation dangereuse susceptible de causer des blessures graves.

**⚠ AVERTISSEMENT :** Enlevez toujours le bloc-pile de l'outil lorsque vous assemblez des pièces, procédez à des ajustements ou à son nettoyage ou lorsque le produit n'est pas utilisé.

## DÉBALLAGE

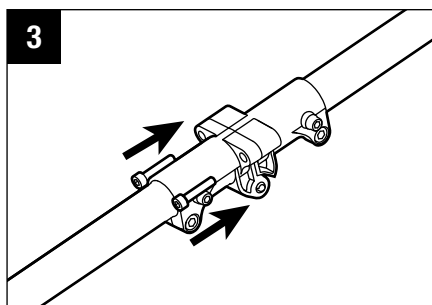
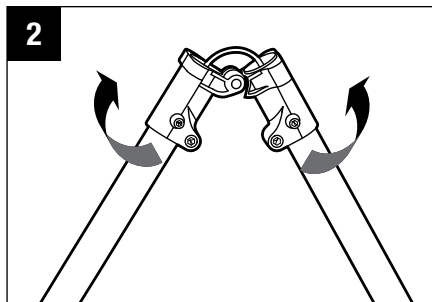
- Le taille-bordure doit être assemblé.
- Retirez soigneusement la scie à chaîne et toutes les pièces de l'emballage. Assurez-vous que toutes les pièces mentionnées sur la liste des pièces sont présentes.
- Inspectez soigneusement le taille-bordure pour vérifier qu'il n'a pas été endommagé pendant l'expédition.
- Ne jetez pas le matériel d'emballage avant d'avoir inspecté soigneusement le taille-bordure et de l'avoir fait fonctionner de manière satisfaisante.
- S'il y a des pièces manquantes ou endommagées, veuillez retourner le taille-bordure à l'endroit où vous l'avez acheté.

## DÉPLIAGE DU MANCHE (SEULEMENT POUR LE MODÈLE ST1500SF/ST1500SF-FC)

**⚠ AVERTISSEMENT :** Pour éviter de vous coincer les mains ou les doigts, ne tenez pas le manche au niveau des joints.

**⚠ AVERTISSEMENT :** Ne tentez pas de démarrer le taille-bordure avant d'avoir verrouillé le manche.

1. Retirez le bloc-pile du taille-bordure.
2. Placez votre taille-bordure au sol, puis déployez le manche avec précaution. Assurez-vous que le câble est à l'intérieur du manche pour éviter qu'il ne soit coincé lors de la fermeture des joints (figure 2).
3. Utilisez la clé hexagonale fournie pour verrouiller le manche avec le boulons fourni (figure 3).

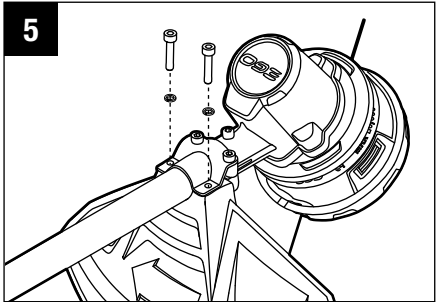
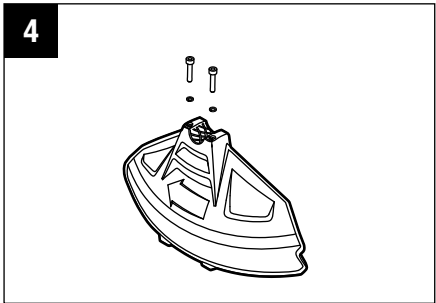




## INSTALLATION DU PROTECTEUR

**⚠ AVERTISSEMENT :** Portez toujours des gants lorsque vous installez le protecteur ou le remplacez. Faites attention à la lame du protecteur et protégez vos mains pour éviter de vous couper avec la lame.

1. Retirez le bloc-pile du taille-bordure.
2. Desserrez les deux boulons du protecteur à l'aide de la clé hexagonale; retirez les boulons et les rondelles à ressort du protecteur (figure 4).
3. Soulevez la tête du taille-bordure et placez-la vers le bas. Alignez les deux trous de montage du protecteur aux deux trous de fixation à la base de la tige. Assurez-vous que la surface interne du protecteur est face à la tête du taille-bordure (figure 5).
4. Verrouillez le protecteur à l'aide des deux boulons et de la clé hexagonale fournie.



## INSTALLATION ET RÉGLAGE DE LA POIGNÉE DE MANŒUVRE AVANT

**⚠ AVERTISSEMENT :** Enlevez toujours le bloc-pile de l'outil lorsque vous assemblez des pièces, procédez à des ajustements ou à son nettoyage ou lorsque le produit n'est pas utilisé.

1. Retirez le bloc-pile du taille-bordure.

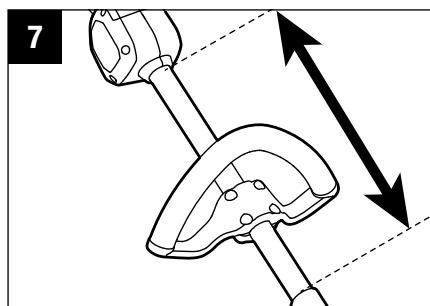
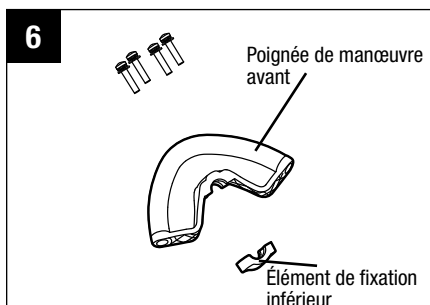
2. Desserrez les quatre vis de la poignée à l'aide de la clé hexagonale fournie, puis retirez les vis et l'élément de fixation inférieur de la poignée (figure 6).

3. Placez la poignée de manœuvre avant et l'élément de fixation inférieur sur le manche et fixez-les sans serrer complètement les quatre vis. Tournez la poignée de manœuvre avant vers le haut de sorte qu'elle pointe vers le haut du manche (figure 7).

4. Réglez la position de la poignée de manœuvre avant entre l'extrémité inférieure du boîtier de la poignée arrière et le joint du manche,

comme l'illustre la figure 7. Pour le modèle ST1500F/ST1500F-FC, ajustez la position de la poignée afin qu'elle se situe entre l'extrémité inférieure du boîtier de la poignée arrière et l'étiquette d'avertissement sur le manche. Les utilisateurs plus petits peuvent régler la poignée en position plus basse (loin d'eux) et les plus grands peuvent la régler en position plus haute (vers eux). La poignée doit être réglée de façon à ce que votre bras soit droit lorsque vous utilisez le taille-bordure.

5. Vissez fermement les quatre vis afin que la poignée ne tourne pas sur le manche.



## FONCTIONNEMENT

**⚠ AVERTISSEMENT :** Même si vous connaissez parfaitement le taille-bordure, soyez vigilant. N'oubliez pas qu'une fraction de seconde d'inattention suffit à se blesser gravement.

**⚠ AVERTISSEMENT :** Portez toujours des lunettes de sécurité avec écrans latéraux conformes à la norme ANSI Z87.1, ainsi que des protecteurs d'oreilles. Sinon, vous pourriez recevoir des débris dans les yeux et vous blesser gravement.

**⚠ AVERTISSEMENT :** N'utilisez pas de pièces ni d'accessoires qui ne sont pas recommandés par le fabricant de ce produit. L'utilisation de pièces ou d'accessoires non recommandés peut causer des blessures graves.

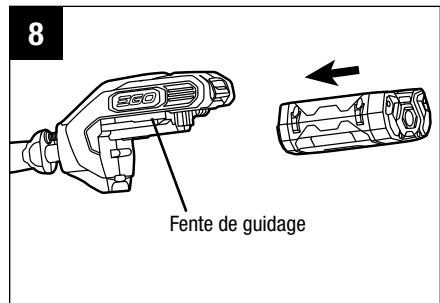
### INSTALLATION ET RETRAIT DU BLOC-PILE (figure 8 et 9)

**⚠ AVERTISSEMENT :** Enlevez toujours le bloc-pile de l'outil lorsque vous assemblez des pièces, procédez à des ajustements ou à son nettoyage ou lorsque l'article n'est pas utilisé. Le retrait du bloc-pile permet de prévenir une mise en marche accidentelle pouvant occasionner des blessures graves.

**REMARQUE :** Chargez le bloc-pile au maximum avant sa première utilisation.

#### Installation du bloc-pile (figure 8)

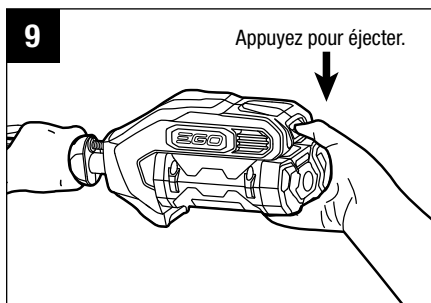
1. Alignez les nervures du bloc-pile sur les fentes de montage situées dans le port du bloc-pile, sur le taille-bordure.
2. Appuyez sur le bloc-pile en direction de la tête du taille-bordure jusqu'à ce qu'il s'enclenche en position.



**REMARQUE :** Avant d'utiliser le taille-bordure, assurez-vous que le verrou situé sur le taille-bordure s'enclenche et que le bloc-pile est solidement fixé.

## Retrait du bloc-pile (figure 9)

**⚠ AVERTISSEMENT :** Soyez toujours conscient de l'emplacement de vos pieds, de vos enfants et de vos animaux de compagnie lorsque vous appuyez sur le bouton d'éjection du bloc-pile. La chute du bloc-pile pourrait causer des blessures graves. **NE retirez JAMAIS** le bloc-pile lorsque vous êtes en hauteur.



1. Tenez le bloc-pile dans la paume de la main.
2. Pour libérer le bloc-pile du verrou, appuyez sur le bouton d'éjection du bloc-pile avec le pouce.
3. Saisissez le bloc-pile et retirez-le du taille-bordure.

## TENIR LE TAILLE-BORDURE

**⚠ AVERTISSEMENT :** Lorsque vous utilisez le taille-bordure, habillez-vous convenablement pour réduire les risques de blessures. Ne portez pas de vêtements ni de bijoux qui peuvent s'accrocher. Portez des protections pour les yeux et les oreilles. Portez un pantalon long et épais, des bottes et des gants. Ne portez pas de pantalon court ni de sandales. N'utilisez pas le taille-bordure lorsque vous êtes pieds nus.

Avant d'utiliser le taille-bordure, placez-vous en position d'utilisation et vérifiez les points suivants :



- Vous portez des lunettes de sécurité et des vêtements convenables.
- Vous avez un bras légèrement plié et la main de ce bras tient la poignée arrière.
- L'autre bras est droit et sa main tient la poignée de manœuvre avant.
- La tête du taille-bordure est parallèle au sol et atteint facilement ce qui doit être coupé sans avoir besoin de vous pencher (figure 10).

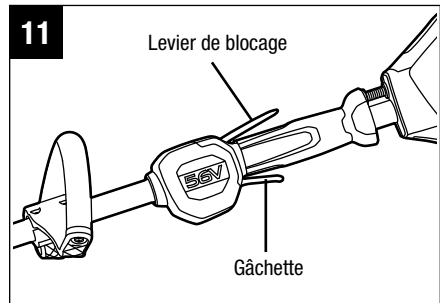
## MISE EN MARCHÉ ET ARRÊT DU TAILLE-BORDURE

Avant de mettre le taille-bordure en marche, suivez les instructions ci-dessous :

- Assurez-vous que vous avez une posture sécuritaire et un bon équilibre.
- Tenez-vous droit et tenez le taille-bordure sans vous crispier.
- Assurez-vous que le fil de coupe ne touche pas le sol ni aucun autre objet.
- Tenez le taille-bordure avec les deux mains : une main sur la poignée arrière et l'autre sur la poignée de manœuvre avant.

### Mise en marche du taille-bordure (figure 11)

1. Appuyez sur le levier de blocage et maintenez-le enfoncé. Pressez la gâchette pour mettre en marche le taille-bordure.
2. La gâchette à vitesse variable permet de contrôler la vitesse de rotation du fil de coupe. Une pression plus grande sur la gâchette procure une vitesse de coupe plus élevée tandis qu'une pression plus faible sur la gâchette amène une vitesse de coupe réduite. Réglez la vitesse en fonction de la tâche à accomplir.



**AVIS :** Le moteur ne tourne que lorsque le levier de blocage et la gâchette sont enclenchés simultanément.

### Arrêt du taille-bordure

Relâchez le levier de blocage et la gâchette pour arrêter le taille-bordure.

**⚠ AVERTISSEMENT :** Retirez toujours le bloc-pile du taille-bordure lorsque vous faites des pauses et une fois que vous avez terminé de l'utiliser.

## UTILISATION DU TAILLE-BORDURE

**⚠ AVERTISSEMENT :** Pour éviter des blessures graves, portez toujours des lunettes de sécurité lorsque vous utilisez le taille-bordure. Portez un masque de protection ou un masque antipoussières lorsque l'endroit est poussiéreux.

Avant chaque utilisation, dégagez l'aire de travail. Enlevez tous les objets, comme les cailloux, les éclats de verre, les clous, les câbles ou les fils, qui pourraient être projetés par le taille-bordure ou qui pourraient rester coincés dans le dispositif de coupe. Assurez-vous de garder les enfants, les personnes et les animaux à distance. Ils doivent être à une distance d'au moins 30,48 m (100 pi) pour éviter de recevoir des projections de débris. Nous recommandons aux personnes à proximité de porter des lunettes de sécurité. Si une personne s'approche de vous, arrêtez immédiatement le moteur.

**⚠ AVERTISSEMENT :** Pour prévenir les blessures graves, retirez le bloc-pile du taille-bordure avant d'en effectuer l'entretien, de le nettoyer, de remplacer des accessoires ou de retirer des pièces.

### Vérifiez si des pièces sont endommagées ou usées avant chaque utilisation

Vérifiez la tête du taille-bordure, le protecteur et la poignée de manœuvre avant, puis remplacez toute pièce fissurée, déformée, tordue ou endommagée.

La lame coupe-fil en bordure du protecteur peut s'émousser avec le temps. Il est recommandé de l'affûter périodiquement à l'aide d'une lime ou de la remplacer par une nouvelle lame.

**⚠ AVERTISSEMENT :** Portez toujours des gants lorsque vous installez ou remplacez le protecteur, ou lorsque vous affûtez ou remplacez la lame. Notez l'emplacement de la lame du protecteur et protégez vos mains pour éviter de vous blesser.

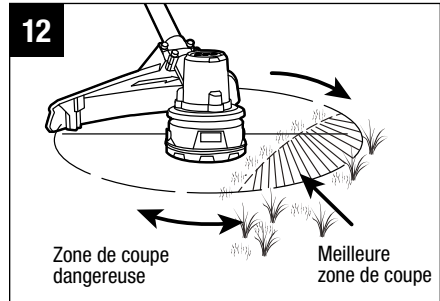
### Nettoyez le taille-bordure après chaque utilisation

Des instructions pour le nettoyage de l'appareil se trouvent à la section Entretien.

**⚠ AVERTISSEMENT :** N'utilisez jamais d'eau pour nettoyer le taille-bordure. Évitez d'utiliser des solvants sur les pièces en plastique. La plupart des plastiques sont susceptibles d'être endommagés par divers types de solvants commerciaux. Utilisez un linge propre pour enlever la terre, la poussière, l'huile, la graisse, etc.

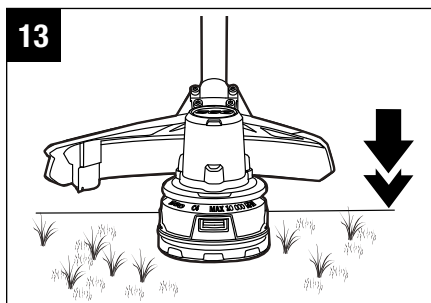
## Conseils pour bien réussir la taille des bordures (figure 12)

- Pour obtenir un angle de coupe adéquat, le dispositif de coupe doit être parallèle au sol.
- Ne forcez pas le taille-bordure. Utilisez uniquement l'extrémité du fil pour couper l'herbe (surtout le long des murs). Dans le cas contraire, vous réduiriez l'efficacité de la coupe et pourriez surcharger le moteur.
- La hauteur de coupe dépend de la distance entre le fil et la surface de l'herbe.
- Si l'herbe est haute de plus de 20,32 cm (8 po), vous devez la couper en effectuant un mouvement du haut vers le bas en abaissant lentement le taille-bordure à chaque passage pour éviter d'user trop rapidement le fil ou de faire forcer le moteur.
- Déplacez lentement le taille-bordure en effectuant un mouvement de va-et-vient au-dessus de la surface coupée, en maintenant la tête de coupe à la hauteur désirée. Il peut s'agir d'un mouvement latéral ou de l'avant vers l'arrière. Pour obtenir de meilleurs résultats, il est préférable de procéder à de petites coupes.
- Coupez l'herbe seulement lorsqu'elle est sèche.
- Les clôtures de métal ou de bois peuvent accélérer l'usure du fil ou le briser. Le fil peut s'user rapidement s'il entre en contact avec un mur de pierres ou de briques, une bordure de trottoir ou du bois.
- Évitez le contact avec les arbres et les arbustes. Le fil peut facilement endommager l'écorce des arbres, les moulures de bois, le revêtement extérieur et les poteaux de clôture.



## RÉGLAGE DE LA LONGUEUR DU FIL DE COUPE

La tête du taille-bordure vous permet de libérer du fil de coupe sans arrêter le moteur. Lorsque le fil est effiloché ou usé, il est possible de libérer une longueur de fil supplémentaire en frappant doucement la tête du taillebordure contre le sol pendant que le taille-bordure fonctionne (figure 13).



**⚠ AVERTISSEMENT :** N'essayez pas de retirer ni de modifier la lame coupe-fil. Un fil de coupe trop long entraînera une surchauffe du moteur et pourra ainsi causer des blessures graves.

Pour de meilleurs résultats, frappez la tête du taille-bordure contre un sol nu ou dur. Si vous tentez de libérer du fil dans des herbes hautes, le moteur pourrait surchauffer. Assurez-vous que le fil de coupe est toujours complètement étiré. Il devient plus difficile de libérer du fil lorsque le fil de coupe est plus court.

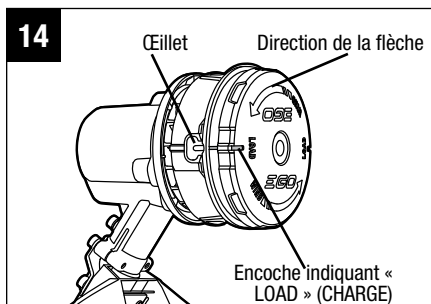
## REPLACEMENT DU FIL

**AVIS:** Utilisez toujours le fil de coupe de nylon recommandé, avec un diamètre maximum de 2,4 mm (0.095 po). L'utilisation d'un autre fil peut entraîner une surchauffe du taille-bordure ou l'endommager.

**⚠ AVERTISSEMENT :** N'utilisez jamais de fil de métal renforcé, de fil métallique, de corde ou d'autre matériau. Ceux-ci pourraient se rompre et être projetés.

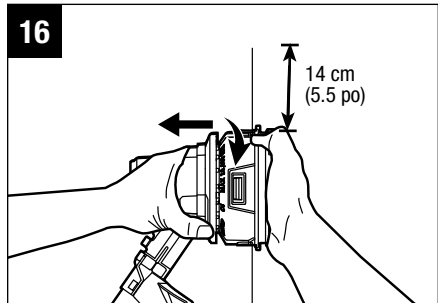
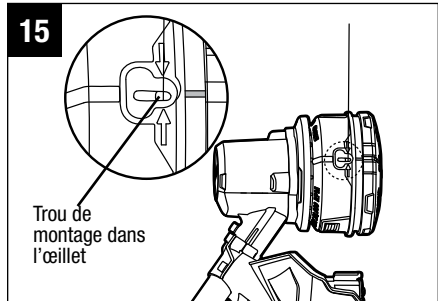
**⚠ AVERTISSEMENT :** Pour prévenir les blessures graves, retirez le bloc-pile du taille-bordure avant d'en effectuer l'entretien, de le nettoyer, de remplacer des accessoires ou de retirer des pièces.

1. Retirez le bloc-pile.
2. Tournez le dispositif de retenue de la bobine dans le sens de la flèche jusqu'à ce que l'encoche indiquant « LOAD » (CHARGE) située sur le dispositif de retenue soit alignée sur les œillets de la base de la bobine (figure 14).





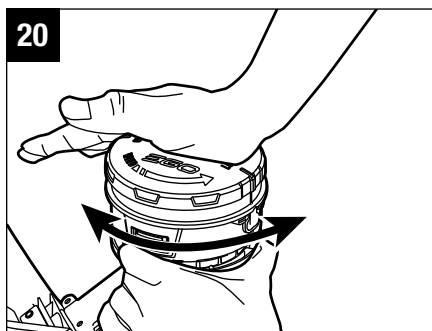
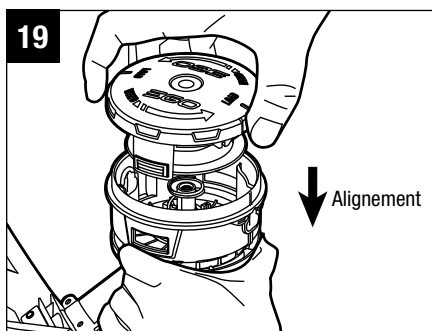
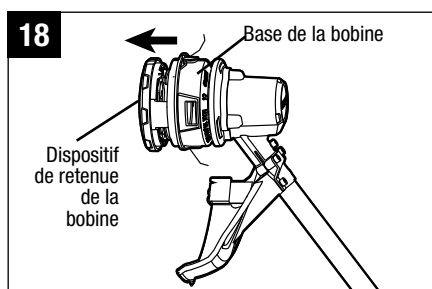
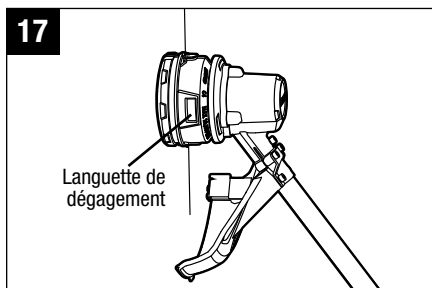
3. Coupez un morceau de fil de coupe de 4,87 m (16 pi) de long. Insérez le fil dans le trou de montage situé dans l'œillet. Poussez jusqu'à ce que l'extrémité du fil sorte de l'autre côté de la base de la bobine. Tirez le fil de l'autre côté du trou jusqu'à ce qu'il y ait autant de fil d'un côté de la bobine que de l'autre (figure 15).
4. Appuyez sur le dispositif de retenue de la bobine tout en tournant dans le sens de la flèche pour enrôler le fil de coupe sur la bobine jusqu'à ce qu'environ 14 cm (5,5 po) de fil dépasse de chaque côté (figure 16).
5. Appuyez sur le dispositif de retenue de la bobine tout en tirant sur les fils de manière à les faire avancer manuellement et à vérifier que la tête du taille-bordure est assemblée correctement.



## RECHARGEMENT EN FIL DE COUPE, SI NÉCESSAIRE

**AVIS :** Lorsque la ligne de coupe se casse à l'endroit où le fil sort ou qu'elle n'est pas dégagée quand la tête du taille-bordure est frappée contre le sol, vous devez retirer ce qui reste de fil de coupe dans le dispositif de retenue de la bobine et suivre les instructions ci-dessous afin de recharger en fil.

1. Retirez le bloc-pile.
2. Appuyez sur les languettes de dégagement du dispositif de retenue de la bobine et retirez ce dernier en tirant dessus (figure 17 et 18).
3. Retirez le fil de coupe du dispositif de retenue de la bobine.
4. D'une main, tenez la base de la bobine. De l'autre, prenez le dispositif de retenue de la bobine et alignez les languettes de celui-ci sur les trous de la base de la bobine. Appuyez et tournez le dispositif de retenue vers la gauche et vers la droite avec la paume de votre main de façon à ce que les languettes se verrouillent dans la base de la bobine (figure 19 et 20).
5. Suivez les instructions de la section « REMPLACEMENT DU FIL » pour recharger en fil de coupe.



## ENTRETIEN

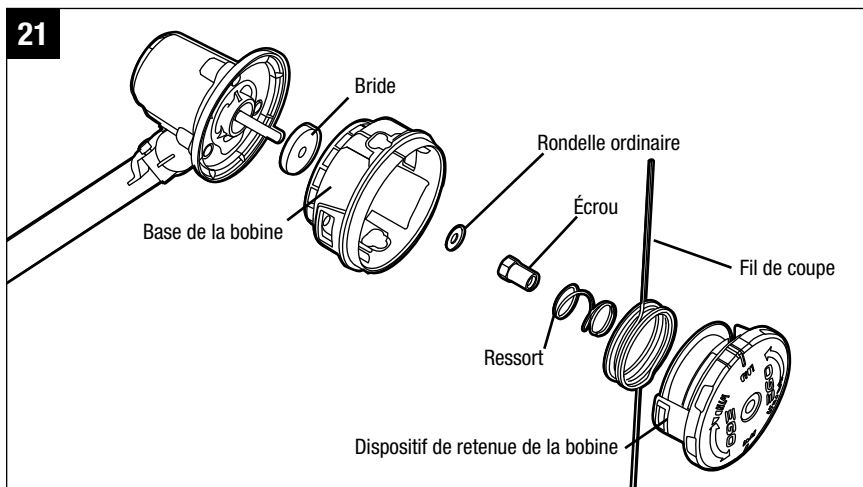
**⚠ AVERTISSEMENT :** Lorsque vous procédez à l'entretien de la scie à chaîne, utilisez uniquement des pièces de remplacement identiques à celles d'origine. L'utilisation de toute autre pièce peut constituer un danger ou endommager le produit. Pour garantir une utilisation sécuritaire de ce produit et sa fiabilité, toutes les réparations doivent être effectuées par un technicien qualifié.

**⚠ AVERTISSEMENT :** Les outils munis d'un bloc-pile n'ont pas besoin d'être branchés sur une prise de courant. Par conséquent, ils sont toujours prêts à l'emploi. Pour prévenir des blessures graves, prenez des précautions particulières lorsque vous effectuez l'entretien ou des réparations, ou lorsque vous remplacez le dispositif de coupe ou d'autres pièces.

**⚠ AVERTISSEMENT :** Pour prévenir les blessures graves, retirez le bloc-pile du taille-bordure avant d'en effectuer l'entretien, de le nettoyer, de remplacer des accessoires ou de retirer des pièces.

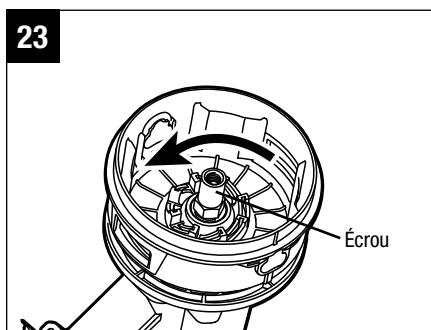
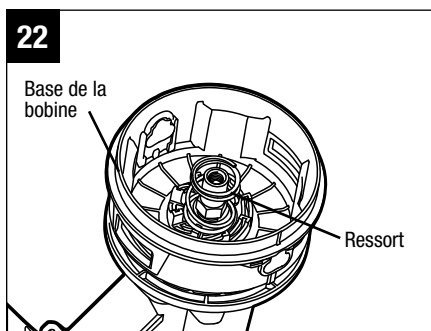
## REPLACEMENT DE LA TÊTE DU TAILLE-BORDURE

**⚠ DANGER :** Si la tête se desserre après avoir été mise en place, remplacez-la immédiatement. N'utilisez jamais le taille-bordure si le dispositif de coupe n'est pas serré fermement. Remplacez immédiatement la tête de coupe si elle est fissurée, endommagée ou usée, même si elle ne présente que des fissures superficielles. Ces pièces peuvent se briser à haute vitesse et causer des blessures graves.

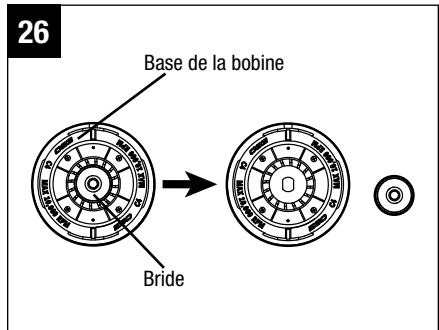
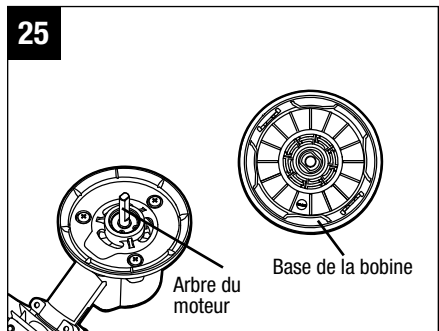
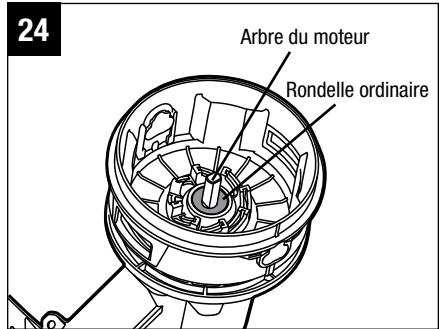


## Retrait de la tête du taille-bordure

1. Appuyez sur les 2 languettes de dégagement du dispositif de retenue de la bobine pour retirer ce dernier (figure 17 et 18).
2. Retirez le ressort de la base de la bobine (figure 22).
3. Portez des gants pour tenir la base de la bobine d'une main et, de l'autre main, servez-vous d'une clé à choc de 14,28 mm (9/16 po) pour desserrer et retirer l'écrou (figure 23).

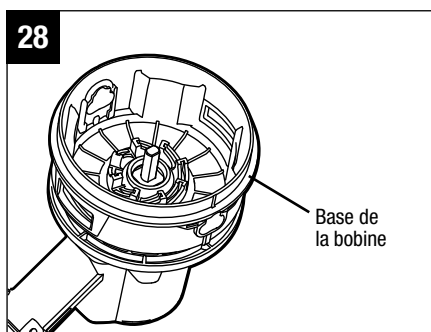
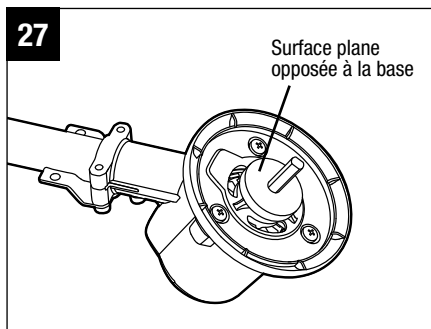


- Retirez la rondelle ordinaire de l'arbre du moteur et conservez-la en vue du réassemblage (figure 24).
- Tenez la base de la bobine et tirez-la de l'arbre du moteur (figure 25).
- Retirez la bride de la base de la bobine et conservez-la pour fixer la nouvelle base (figure 26).



## Installation de la nouvelle tête du taille-bordure

1. Placez sur l'arbre du moteur la bride retirée à l'étape 6 de la section « Retrait de la tête du taille-bordure », en s'assurant que la surface plane est opposée à la base (figure 27).
2. Alignez le trou de montage de la base de la bobine sur l'arbre du moteur et insérez la base dans l'arbre (figure 28).
3. Placez la rondelle ordinaire sur l'arbre du moteur (figure 24).



4. Placez l'écrou sur l'arbre et tournez-le manuellement dans le sens des aiguilles d'une montre pour le serrer partiellement (figure 29).

5. Portez des gants pour tenir la base de la bobine d'une main et, de l'autre main, servez-vous d'une clé à douille manuelle de 14 mm (9/16 po) pour serrer l'écrou sur l'arbre.

6. Placez le ressort dans la base de la bobine et assurez-vous d'appuyer dessus pour le fixer (figure 22).

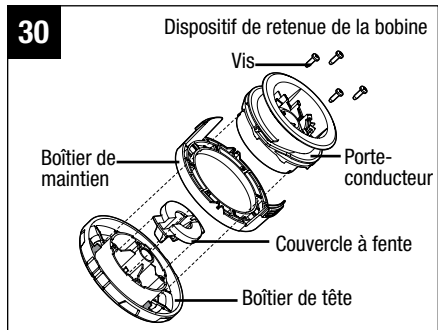
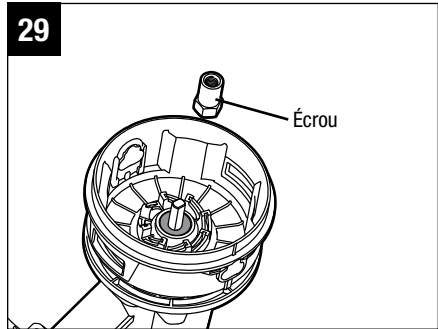
7. Tenez la base de la bobine d'une main et, de l'autre, prenez le dispositif de retenue de la bobine. Alignez les languettes du dispositif de retenue de la bobine sur les trous de la base de la bobine. Appuyez et tournez le dispositif de retenue vers la gauche et vers la droite avec la paume de votre main de façon à ce que les languettes se verrouillent dans la base de la bobine (figure 19 et 20).

8. Si une partie du dispositif de retenue de la bobine est endommagée ou usée, remplacez-la et réassemblez l'ensemble comme il est montré ci-contre (figure 30).

**AVIS:** Si l'ensemble de retenue de bobine est démonté: lors du remontage, assurez-vous que l'encoche dans le support de câble est correctement alignée avec la languette correspondante dans le boîtier de la tête (figure 30).

## NETTOYAGE DU TAILLE-BORDURE

- S'il y a lieu, retirez l'herbe qui s'est enroulée autour de l'arbre moteur ou de la tête du taille-bordure.
- Utilisez une petite brosse ou l'accessoire brosse d'un petit aspirateur pour nettoyer les événements d'aération situés sur le boîtier arrière.
- Assurez-vous que les événements d'aération ne sont jamais obstrués.



- Nettoyez le taille-bordure au moyen d'un linge humide et d'un détergent doux.
- N'utilisez pas de détergents puissants pour nettoyer le boîtier en plastique ni la poignée. Certaines huiles aromatiques, comme le pin et le citron, peuvent les endommager. N'utilisez pas de solvants comme le kérosène. L'humidité peut également causer un risque d'électrocution. Essayez les parties humides à l'aide d'un linge sec et doux.

## **AFFÛTAGE DE LA LAME COUPE-FIL**

**⚠ AVERTISSEMENT :** Protégez toujours vos mains au moyen de gants épais lorsque vous procédez à tout entretien de la lame coupe-fil.

1. Retirez la lame coupe-fil du protecteur.
2. Fixez la lame dans un étau.
3. Portez une protection oculaire appropriée ainsi que des gants et faites attention de ne pas vous couper.
4. Limez soigneusement les bords coupants de la lame à l'aide d'une lime fine ou d'une pierre à aiguiser, en suivant l'angle du bord original de coupe.
5. Remplacez la lame du protecteur et fixez-la en place au moyen de deux vis.

## **RANGEMENT DU TAILLE-BORDURE**

- Retirez le bloc-pile du taille-bordure.
- Nettoyez complètement le taille-bordure avant de le ranger.
- Rangez le taille-bordure dans un endroit sec, bien aéré, surélevé ou verrouillé, hors de portée des enfants. Ne rangez pas le taille-bordure sur des engrais, de l'essence ou d'autres produits chimiques, ni à proximité de ces produits.



# DÉPANNAGE

PROBLÈME	CAUSE	SOLUTION
Le taille-bordure ne démarre pas.	<ul style="list-style-type: none"> <li>■ Le bloc-pile n'est pas installé sur le taille-bordure.</li> <li>■ Il n'y a aucun contact électrique entre le taille-bordure et le bloc-pile.</li> <li>■ Le bloc-pile est déchargé.</li> <li>■ Le levier de blocage et la gâchette ne sont pas enclenchés simultanément.</li> </ul>	<ul style="list-style-type: none"> <li>■ Installez le bloc-pile sur le taille-bordure.</li> <li>■ Retirez le bloc-pile, vérifiez les contacts électriques et réinstallez le bloc-pile.</li> <li>■ Chargez le bloc-pile.</li> <li>■ Pour mettre en marche le taille-bordure, maintenez le levier de blocage enfoncé lorsque vous appuyez sur la gâchette.</li> </ul>
Le taille-bordure s'arrête en cours de fonctionnement.	<ul style="list-style-type: none"> <li>■ Le protecteur n'est pas installé sur le taille-bordure, de sorte que le fil de coupe est trop long et que le moteur surcharge.</li> <li>■ Le calibre du fil de coupe utilisé est trop gros.</li> <li>■ De l'herbe s'est enroulée autour de l'arbre moteur ou de la tête du taille-bordure.</li> <li>■ Le moteur est surchargé.</li> <li>■ Le bloc-pile ou le taille-bordure sont trop chauds.</li> <li>■ Le bloc-pile est débranché de l'outil.</li> <li>■ Le bloc-pile est déchargé.</li> </ul>	<ul style="list-style-type: none"> <li>■ Retirez le bloc-pile, puis installez le protecteur sur le taille-bordure.</li> <li>■ Utilisez uniquement un fil de coupe en nylon standard de 2,4 mm (0.095 po) de diamètre ou moins.</li> <li>■ Arrêtez le taille-bordure, retirez le bloc-pile, puis retirez l'herbe de l'arbre moteur et de la tête du taille-bordure.</li> <li>■ Retirez la tête du taille-bordure de la pelouse. Le moteur fonctionnera de nouveau sans problème dès que la cause de la surcharge est éliminée. Durant la coupe, déplacez le taille-bordure en effectuant un mouvement de va-et-vient au-dessus de la surface coupée et ne coupez au maximum que 20,32 cm de longueur à la fois.</li> <li>■ Laissez le bloc-pile et le taille-bordure refroidir; leur température doit être inférieure à 67 °C (152 °F).</li> <li>■ Réinstallez le bloc-pile.</li> <li>■ Chargez le bloc-pile.</li> </ul>

PROBLÈME	CAUSE	SOLUTION
La tête du taille-bordure ne fait pas avancer le fil.	<ul style="list-style-type: none"> <li>■ De l'herbe s'est enroulée autour de l'arbre moteur ou de la tête du taille-bordure.</li> <li>■ Il ne reste pas suffisamment de fil sur la bobine.</li> <li>■ La tête du taille-bordure est sale.</li> <li>■ Le fil est emmêlé sur la bobine.</li> <li>■ Le fil est trop court.</li> </ul>	<ul style="list-style-type: none"> <li>■ Arrêtez le taille-bordure, retirez le bloc-pile, puis nettoyez l'arbre moteur et la tête du taille-bordure.</li> <li>■ Retirez le bloc-pile et remplacez le fil de coupe. Suivez les instructions à la section REMPLACEMENT DU FIL.</li> <li>■ Retirez le bloc-pile et nettoyez la bobine ainsi que son dispositif de retenue et sa base.</li> <li>■ Retirez le bloc-pile. Retirez le fil de la bobine, puis enroulez-le de nouveau sur la bobine. Suivez les instructions à la section REMPLACEMENT DU FIL.</li> <li>■ Retirez le bloc-pile et tirez sur le fil en appuyant sur le bouton de butée, puis en le relâchant.</li> </ul>
L'herbe s'enroule autour de la tête du taille-bordure et du boîtier du moteur.	<ul style="list-style-type: none"> <li>■ L'herbe haute est coupée à ras du sol.</li> </ul>	<ul style="list-style-type: none"> <li>■ Pour éviter l'enroulement, coupez l'herbe haute du haut vers le bas, en prenant soin de ne pas en couper plus de 20,32 cm à la fois.</li> </ul>
Le fil ne se coupe pas bien.	<ul style="list-style-type: none"> <li>■ La lame coupe-fil en bordure du protecteur est émoussée.</li> </ul>	<ul style="list-style-type: none"> <li>■ Affûtez la lame coupe-fil au moyen d'une lime ou remplacez-la par une nouvelle lame.</li> </ul>
La tête du taille-bordure est fissurée ou le dispositif de retenue de la bobine se désolidarise de la base de la bobine.	<ul style="list-style-type: none"> <li>■ Le taille-bordure est usé.</li> </ul>	<ul style="list-style-type: none"> <li>■ Remplacez immédiatement la tête du taille-bordure; suivez la section « REMPLACER LA TÊTE DE TAILLE-BORDURE » dans le présent guide.</li> </ul>

PROBLÈME	CAUSE	SOLUTION
Lors du remplacement du fil, ce dernier ne se charge pas convenablement dans la tête du taille-bordure.	<ul style="list-style-type: none"><li>■ Les encoches indiquant « LOAD » (CHARGE) sur le dispositif de retenue de la bobine ne sont pas alignées sur les œillets de la base de la bobine.</li><li>■ Le fil n'est pas bien inséré dans le trou de montage de l'œillet.</li></ul>	<ul style="list-style-type: none"><li>■ Tournez le dispositif de retenue de la bobine dans le sens de la flèche afin d'aligner les encoches indiquant « LOAD » (CHARGE), situées sur le dispositif de retenue, sur les œillets de la base de la bobine.</li><li>■ Alignez d'abord les encoches indiquant « LOAD » (CHARGE) sur les œillets, puis insérez le fil dans le trou de montage situé à l'intérieur de l'œillet.</li></ul>

# GARANTIE

## POLITIQUE D'EGO EN MATIÈRE DE GARANTIE

Garantie limitée de 5 ans sur les équipements d'alimentation électrique d'extérieur EGO POWER+ et les équipements d'alimentation électrique portable pour un usage personnel et domestique.

Garantie limitée de 3 ans sur les blocs-piles et chargeurs du système EGO POWER+ pour un usage personnel et domestique.

Garantie limitée de 2 ans/1 an sur les équipements d'alimentation électrique d'extérieur, les équipements d'alimentation électrique portables, les blocs-piles et les chargeurs EGO pour un usage professionnel et commercial.

La durée et les détails de la garantie de chaque produit sont indiqués en ligne à l'adresse <http://egopowerplus.com/pages/warranty-policy>.

**Veillez communiquer avec le service à la clientèle d'EGO au 1 855 EGO-5656 (numéro sans frais)** pour toute question sur les réclamations au titre de la garantie.

## GARANTIE LIMITÉE

Les produits EGO sont garantis contre tout défaut de matériel ou de fabrication à compter de la date d'achat d'origine pour la période de garantie applicable. Les produits défectueux recevront une réparation gratuite.

- a) Cette garantie s'applique uniquement à l'acheteur initial s'étant procuré le produit chez un détaillant EGO autorisé et est non transférable. La liste des détaillants EGO autorisés est publiée en ligne sur le site <http://egopowerplus.com/pages/warranty-policy>.
- b) La période de garantie pour les produits remis en état ou certifiés par l'usine utilisés à des fins résidentielles est de 1 an, et de 90 jours lorsqu'ils sont utilisés à des fins industrielles, professionnelles ou commerciales.
- c) La période de garantie pour les pièces d'entretien régulier, y compris, sans s'y limiter, les lames, les têtes de taille-bordure, les guides-chaînes, les chaînes de scie, les courroies, les barres de raclage, les buses de souffleur, ainsi que tous les autres accessoires EGO, est de 90 jours lorsqu'elles sont utilisées à des fins résidentielles et de 30 jours lorsqu'elles sont utilisées à des fins industrielles, professionnelles ou commerciales. Ces pièces sont couvertes contre les défauts de fabrication pour une période de 90 jours ou de 30 jours si elles sont utilisées dans des conditions de travail normales.

- d) La présente garantie n'est pas valide si le produit a été utilisé aux fins de location.
- e) La présente garantie ne couvre pas les dommages résultant d'une modification, d'une altération ou d'une réparation non autorisée.
- f) Cette garantie couvre uniquement les défauts survenant dans des conditions normales d'utilisation et ne couvre aucun dysfonctionnement ou défaut ni aucune défaillance découlant d'un usage inapproprié ou abusif (notamment la surcharge du produit et son immersion dans l'eau ou dans tout autre liquide), d'un accident, d'une négligence, d'une installation inadéquate et de tout entretien ou entreposage inadéquat.
- g) La présente garantie ne couvre pas la détérioration normale du fini extérieur, notamment les rayures, les bosselures, les craquelures de la peinture ou toute corrosion ou décoloration résultant de la chaleur, de produits abrasifs ou de nettoyeurs chimiques.

## RÉCLAMATION AU TITRE DE LA GARANTIE

Pour faire une réclamation au titre de la garantie, veuillez communiquer avec le service à la clientèle d'EGO au **1 855 EGO-5656** (numéro sans frais). Lorsque vous faites une réclamation au titre de la garantie, vous devez présenter le reçu de vente original. Un centre de service autorisé sera sélectionné pour la réparation du produit conformément aux conditions de garantie prescrites. Il se peut qu'un petit dépôt soit exigé lorsque vous laissez votre outil dans un centre de service autorisé. Ce dépôt est remboursable lorsque le service de réparation est considéré comme étant couvert par la garantie.

## RESTRICTIONS SUPPLÉMENTAIRES

Dans la mesure permise par la loi en vigueur, toutes les garanties implicites, y compris les garanties de QUALITÉ MARCHANDE ou D'ADÉQUATION À UN USAGE PARTICULIER, sont exclues. Toute garantie implicite, y compris la garantie de qualité marchande ou d'adéquation à un usage particulier, qui ne peut être rejetée en vertu de la loi de l'État ou de la province est limitée à la période de garantie applicable définie au début de cet article.

Chervon North America n'est pas responsable des dommages accessoires, consécutifs, indirects ou directs.

Certaines provinces n'autorisent pas les restrictions de durée de garantie implicite, ou l'exclusion ou la restriction des dommages consécutifs et accessoires; c'est pourquoi les restrictions ci-dessus peuvent ne pas s'appliquer à votre cas.

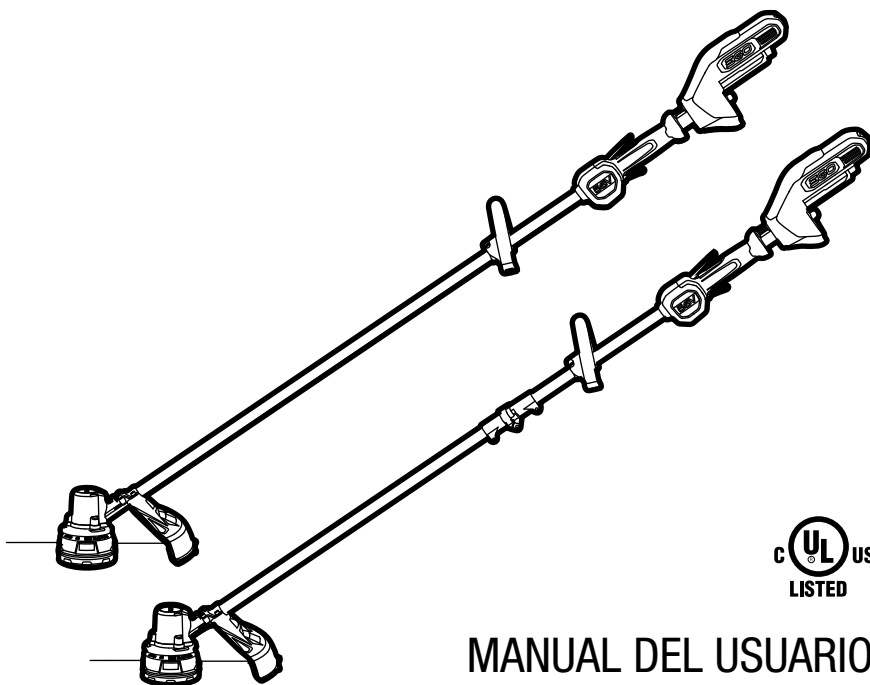
Cette garantie vous confère des droits précis. Il est possible que vous disposiez également d'autres droits, qui varient d'une province à l'autre.

Pour communiquer avec le service à la clientèle, veuillez composer le numéro sans frais suivant : **1 855 EGO-5656** ou consulter le site Web **EGOPOWERPLUS.COM**.

EGO Customer Service, 769 SEWARD AVE NW / Suite 102 Grand Rapids, MI 49504, États-Unis.

# EGO™

POWER<sup>+</sup> STRING TRIMMER



MANUAL DEL USUARIO

## ORILLADORA INALÁMBRICA CON BATERÍA DE IONES DE LITIO DE 15 PULG Y 56 VOLTIOS

NÚMERO DE MODELO  
ST1500F/ST1500F-FC (EJE RECTO)  
ST1500SF/ST1500SF-FC (EJE BISAGRA)

**⚠ ADVERTENCIA:** para reducir el riesgo de lesiones, el usuario debe leer y comprender el Manual del usuario antes de usar este producto. Guarde estas instrucciones para consultarlas en el futuro.

# ÍNDICE

Símbolos de seguridad .....	73
Instrucciones de seguridad .....	74-78
Introducción .....	78
Especificaciones .....	79
Lista de empaque .....	79
Descripción .....	80-81
Ensamble .....	82-85
Funcionamiento .....	86-93
Mantenimiento .....	94-99
Solución de problemas .....	100-102
Garantía .....	103-104

## LEA TODAS LAS INSTRUCCIONES



LEA Y COMPRENDA EL MANUAL  
DE INSTRUCCIONES

**⚠ ADVERTENCIA:** Parte del polvo producto del lijado, aserrado, esmerilado, taladrado y otras actividades de construcción, contiene sustancias químicas que el estado de California reconoce como causantes de cáncer, defectos congénitos u otros daños al sistema reproductor. Algunos ejemplos de estas sustancias químicas son los siguientes:

- El plomo de pinturas a base de plomo,
- La sílice cristalina de ladrillos, cemento y otros productos de mampostería, y
- El arsénico y el cromo de la madera tratada químicamente.

El riesgo de sufrir estas exposiciones varía según la frecuencia con que realice este tipo de trabajo. Para reducir la exposición a estas sustancias químicas: trabaje en un lugar bien ventilado y con equipos de seguridad aprobados, como las mascarillas antipolvo que están diseñadas especialmente para filtrar partículas microscópicas.



# SÍMBOLOS DE SEGURIDAD

El propósito de los símbolos de seguridad es alertarlo de posibles peligros. Los símbolos de seguridad y sus explicaciones merecen una atención y comprensión minuciosas. Las advertencias de los símbolos, por sí mismas, no eliminan los peligros.

Las instrucciones y las advertencias no sustituyen las medidas de prevención de accidentes que correspondan.

**⚠ ADVERTENCIA:** Asegúrese de leer y comprender todas las instrucciones de seguridad que contiene este Manual del usuario, incluidos todos los símbolos de alerta de seguridad como “PELIGRO”, “ADVERTENCIA” y “PRECAUCIÓN”, antes de usar esta herramienta. Si no se siguen todas las instrucciones que figuran a continuación, se pueden producir electrocuciones, incendios y lesiones.

## SIGNIFICADO DE LOS SÍMBOLOS

**⚠ SÍMBOLO DE ALERTA DE SEGURIDAD:** Indica PELIGRO, ADVERTENCIA O PRECAUCIÓN. Puede aparecer junto con otros símbolos o pictografías.



**⚠ ¡ADVERTENCIA!** La utilización de herramientas eléctricas puede arrojar objetos extraños a los ojos y causar heridas graves. Antes de comenzar a utilizar la herramienta eléctrica, colóquese siempre gafas de seguridad o anteojos de seguridad con protectores laterales y una máscara que cubra todo el rostro, si es necesario. Recomendamos utilizar una máscara de seguridad de visión amplia sobre los anteojos o gafas de seguridad estándar con protectores laterales. Use siempre lentes de protección con la marca de cumplimiento de la norma ANSI Z87.1.

## INSTRUCCIONES DE SEGURIDAD

Esta página muestra y describe los símbolos de seguridad que pueden aparecer en este producto. Lea, comprenda y siga todas las instrucciones de la máquina antes de ensamblarla y utilizarla.

	Alerta de seguridad	Indica un peligro potencial de producir lesiones.
	Lea el Manual del usuario	Para reducir el riesgo de lesiones, debe leer el Manual del usuario.
	Lentes de protección	Use siempre gafas de seguridad o anteojos con protección lateral y un protector facial al operar este producto.
	Símbolos de reciclaje	Este producto usa baterías de iones de litio (Li-ion). Es posible que las leyes municipales, provinciales o nacionales prohíban desechar las baterías con los residuos comunes. Consulte a la autoridad local en materia de residuos sobre las opciones de eliminación y reciclaje disponibles.
IPX4	Nivel de Protección del Ingreso	Protección contra salpicaduras de agua
V	Voltio	Voltaje
mm	Milímetro	Longitud o tamaño
cm	Centímetro	Longitud o tamaño
in.	Pulgada	Longitud o tamaño
kg	Kilogramo	Peso
lb	Libra	Peso
CC	Corriente continua	Tipo o característica de la corriente
RPM	Revoluciones por minuto	Velocidad de rotación

## INSTRUCCIONES IMPORTANTES DE SEGURIDAD

**⚠ ¡ADVERTENCIA!** Al usar orilladoras eléctricas, siempre se deben tomar medidas de seguridad básicas para reducir el riesgo de incendios, descargas eléctricas o lesiones personales, incluidas las siguientes:

### LEA TODAS LAS INSTRUCCIONES

**⚠ ¡PELIGRO!** No dependa del aislamiento de la herramienta para evitar las descargas eléctricas. Para reducir el riesgo de electrocución, nunca opere la herramienta en las cercanías de cables que conducen corriente eléctrica.

**⚠ ¡PRECAUCIÓN!** Use protección auditiva personal adecuada durante la manipulación. Bajo algunas condiciones y periodos de uso, el ruido de este producto podría contribuir a la pérdida de la audición.

- **Mantenga a los niños alejados:** Todas las personas deben mantenerse a una distancia mínima de 30,48 m del área de trabajo.
- **Evite ambientes peligrosos** - No utilice aparatos de pendiente húmeda o mojada.
- **Vístase de manera adecuada:** No use ropa holgada ni joyas. Estas pueden quedar atascadas en las piezas móviles. Se recomienda usar guantes y calzado de goma para trabajar en exteriores. Use protección para el cabello a fin de contener el cabello largo.
- **Use gafas de seguridad:** Use siempre una máscara o mascarilla antipolvo si operará en una zona con mucho polvo.
- **Use la herramienta adecuada:** No use la herramienta para ninguna otra tarea que no sea la prevista.
- **No fuerce la orilladora:** Esta máquina funcionará mejor y con menos probabilidades de producir lesiones si se usa al ritmo para el cual se diseñó.
- **No se extienda demasiado:** Mantenga el punto de apoyo y el equilibrio adecuados en todo momento.
- **Manténgase alerta:** Concéntrese en lo que hace. Use el sentido común. No opere la orilladora si está cansado.
- **No opere la orilladora bajo la influencia de drogas ni alcohol.**
- **Mantenga las protecciones en su lugar y en buen estado.**
- **Mantenga las manos y los pies alejados del área de corte.**
- **Almacene la orilladora en interiores:** Cuando no esté en uso, la orilladora debe almacenarse en interiores, en un lugar seco y alto o bajo llave, sin el paquete de baterías y fuera del alcance de los niños.

- **Cuide su orilladora:** Mantenga los accesorios de corte limpios para obtener mejores resultados y reducir el riesgo de lesiones. Siga las instrucciones para cambiar los accesorios. Mantenga las empuñaduras limpias, secas y libres de aceite y grasa.
- **Revise las piezas dañadas:** Antes de continuar con la operación de su orilladora, se deben revisar con cuidado las protecciones u otras piezas dañadas a fin de determinar si funcionan correctamente y cumplen su función específica. Compruebe la alineación de las piezas móviles, que las piezas no estén dobladas o rotas, que el montaje sea el correcto y cualquier otra condición que pueda afectar el funcionamiento. Las protecciones u otras piezas dañadas deben repararse de manera adecuada o ser reemplazadas en un centro de servicio autorizado, a menos que se indique lo contrario en este manual.
- **Limpie el área que cortará antes de cada uso.** Retire todos los objetos como piedras, vidrios rotos, clavos, alambres o cordeles que puedan ser arrojados o atascarse en los accesorios de corte. Asegúrese de que las demás personas y las mascotas estén a un mínimo de 30,48 m de distancia.
- **Sostenga la orilladora con firmeza y mantenga ambas manos en las empuñaduras durante la operación. Coloque sus dedos y pulgares alrededor de las empuñadoras.**
- **Evite los arranques accidentales:** No transporte la orilladora con el dedo en el gatillo.
- **No opere la orilladora en entornos gaseosos o explosivos.** Los motores de estos aparatos comúnmente producen chispas, las que pueden encender los vapores.
- **Daños en la orilladora:** Si golpea un objeto extraño con la orilladora o si esta se atasca, detenga la herramienta de inmediato, revise si hay daños y, de haberlos, repárelos antes volver a operar la herramienta. No la opere si las protecciones o el carrete están dañados.
- **Si el equipo comienza a vibrar de un modo anormal, detenga el motor y verifique inmediatamente la causa. La vibración, generalmente, advierte un problema.** Un cabezal suelto puede vibrar, agrietarse, romperse o desprenderse de la orilladora, lo que podría provocar lesiones graves o fatales. Asegúrese de que el accesorio de corte esté bien sujeto en su posición. Si el cabezal se suelta después de fijarlo en su posición, reemplácelo de inmediato. Nunca use una orilladora con un accesorio de corte suelto.
- **Reemplace de inmediato los cabezales de corte agrietados, dañados o gastados, aunque el daño se limite a grietas superficiales.** Dichos accesorios podrían desprenderse a alta velocidad y provocar lesiones graves o fatales.

- **Revise el accesorio de corte con frecuencia durante el funcionamiento o inmediatamente si nota un cambio evidente en el comportamiento de corte.**
- **Al reemplazar el hilo de corte, use un hilo de nailon de no más de 2,4 mm.** El uso de hilos más gruesos que los recomendados por el fabricante aumenta la carga en el motor y reduce la velocidad de funcionamiento. Esto provoca el sobrecalentamiento y puede dañar la orilladora.
- **Para reducir el riesgo de lesiones graves, nunca utilice hilo de alambre o de metal reforzado ni otro material en lugar de los hilos de corte de nailon.** Se podrían romper trozos de alambre y dispararse a alta velocidad hacia el operador o los transeúntes.
- **Para reducir el riesgo de lesiones debido a la pérdida de control, nunca trabaje sobre una escalera ni sobre ninguna superficie insegura. Nunca sostenga el accesorio de corte sobre la altura de la cintura.**
- **Si se presentan situaciones que no están previstas en este manual, tenga cuidado y use el sentido común. Póngase en contacto con el Centro de Servicio al Cliente de EGO para recibir ayuda.**
- **No cargue el paquete de baterías bajo la lluvia o en lugares húmedos.**
- Úsela solo con los paquetes de baterías y cargadores que se mencionan a continuación:

PAQUETE DE BATERÍA	CARGADOR
BA1120, BA1120-FC, BA1400, BA1400-FC, BA2240, BA2240-FC, BA2800, BA2800-FC, BA4200, BA4200-FC, BA1400T, BA1400T-FC, BA2800T, BA2800T-FC, BA4200T, BA4200T-FC, BA5600T, BA5600T-FC	CH2100, CH2100-FC, CH5500, CH5500-FC

- **No arroje las baterías al fuego.** Las células pueden explotar. Consulte los códigos locales para conocer las posibles instrucciones de desecho especiales.
- **No abra ni rompa la batería.** Los electrolitos liberados son corrosivos y pueden causar daños en los ojos o la piel. Si se traga puede ser tóxico.
- **Manipule las baterías con cuidado para no acortar su vida útil con materiales conductores como anillos, brazaletes y llaves.** La batería o el conductor podrían sobrecalentarse y producir quemaduras.
- **Lista de piezas de repuesto:** Al realizarle mantenimiento, utilice solo piezas de repuesto EGO idénticas. El uso de cualquier otro accesorio puede aumentar el riesgo de lesiones.

- **Las herramientas a batería no necesitan estar conectadas a un enchufe, por lo que siempre se encuentran en condiciones de funcionar.** Conozca los peligros posibles que existen aun cuando la herramienta no esté en funcionamiento. Tenga cuidado al realizarle mantenimiento o repararla.
- **Retire o desconecte el paquete de baterías antes de hacer el mantenimiento, limpiar o quitar material de la orilladora.**
- **No lave la orilladora con una manguera; evite que el motor y las conexiones eléctricas se mojen.**
- **No incinere el electrodoméstico incluso si está muy dañado.** Las baterías pueden explotar en un incendio.
- **No exponga el paquete de baterías ni el electrodoméstico al fuego o a una temperatura excesiva.** La exposición al fuego o a temperaturas por encima de los 100 °C (212°F) podría causar una explosión.
- **Guarde estas instrucciones.** Consúltelas con frecuencia y úselas para dar instrucciones a otras personas que puedan usar esta herramienta. Si le presta esta herramienta a alguien, préstele también estas instrucciones para evitar el mal uso del producto y posibles lesiones.

### **GUARDE ESTAS INSTRUCCIONES.**

## **INTRODUCCIÓN**

Felicitaciones por elegir la orilladora inalámbrica de iones de litio de 15 pulg y 56 voltios EGO. Está pensada, diseñada y fabricada para brindarle el mejor rendimiento y confiabilidad posibles.

En caso de que tuviera algún problema que no pudiera resolver fácilmente, póngase en contacto con el Centro de Servicio al Cliente de EGO al 1-855-EGO-5656.

Este manual contiene información importante para el ensamble, la operación y el mantenimiento seguro de su orilladora de hilo. Léalo atentamente antes de usar la orilladora de hilo. Mantenga este manual a mano para poder consultarlo en cualquier momento.

NÚMERO DE SERIE \_\_\_\_\_ FECHA DE COMPRA \_\_\_\_\_  
DEBE ANOTAR EL NÚMERO DE SERIE Y LA FECHA DE COMPRA Y CONSERVARLOS EN UN LUGAR SEGURO PARA CONSULTARLOS EN EL FUTURO.

## ESPECIFICACIONES

Voltaje	56 V CC
Velocidad sin carga	4000-5800 RPM
Mecanismo de corte	Cabezal de golpe
Tipo de hilo de corte	Hilo de nailon enrollado de 0.095 pulg (2.4 mm)
Ancho de corte	15 pulg (38 cm)
Temperatura de funcionamiento recomendada	0°C-40°C(32°F-104°F)
Temperatura de almacenamiento recomendada	-20°C-70°C(-4°F-158°F)
Peso (sin paquete de baterías)	7.33 lb. (3.33 Kg)

### Hilo De Corte Recomendado

NOMBRE DE LA PIEZA	TIPO	NÚMERO DE MODELO
Hilo de corte	Hilo enrollado de 2,4 mm/0,095 pulg. (recomendado)	AL2415S AL2450S AL2420P

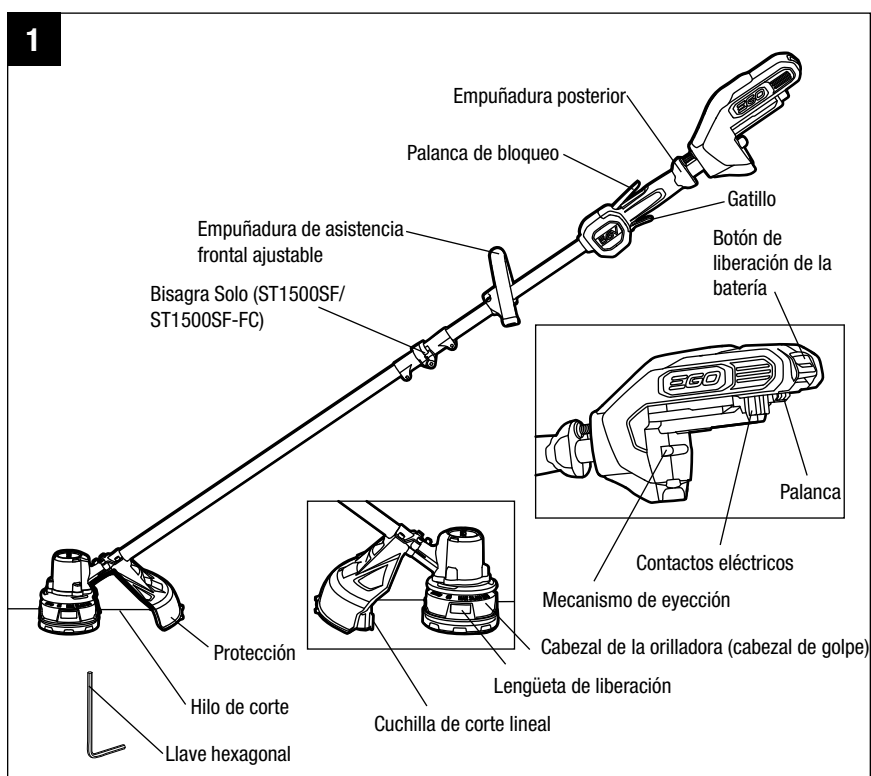
## LISTA DE EMPAQUE

NOMBRE DE LA PIEZA	CANTIDAD
Orilladora de hilo	1
Protección	1
Ensamble de la empuñadura de ayuda frontal	1
Llave para tornillo hexagonal	1
Pernos para eje de sujeción (disponible solo para el modelo ST1500SF/ST1500SF-FC)	2
Manual del usuario	1

# DESCRIPCIÓN

## CONOZCA SU ORILLADORA DE HILO (Fig. 1)

El uso seguro de este producto requiere que se comprenda la información que Fig.en la herramienta y en este manual del usuario, además del conocimiento del proyecto que desea llevar a cabo. Antes de usar este producto, familiarícese con todas las características operativas y reglas de seguridad.



**⚠ ADVERTENCIA:** Nunca opere la herramienta si la protección no está bien colocada en su lugar. La protección debe estar siempre en la herramienta para proteger al usuario.



### **EMPUÑADURA DE ASISTENCIA FRONTAL AJUSTABLE**

Facilita el control de la orilladora durante el corte.

### **EMPUÑADURA POSTERIOR**

Empuñadura ergonómica que mejora la comodidad y el agarre.

### **GATILLO**

Para encender y apagar la orilladora de hilo y ajustar la velocidad del cabezal de la orilladora.

### **PALANCA DE BLOQUEO**

Ayuda a evitar la activación accidental o no autorizada del gatillo. Se debe presionar antes de que se pueda activar el gatillo.

### **BISAGRA (SOLO ST1500SF/ST1500SF-FC)**

Conecta y traba los dos ejes plegables.

### **CABEZAL DE LA ORILLADORA (CABEZAL DE GOLPE)**

Almacena el hilo de corte y lo libera cuando el cabezal toca levemente el suelo durante el funcionamiento.

### **PROTECCIÓN**

Reduce el riesgo de lesiones por objetos extraños expulsados en dirección al operador y por el contacto con el accesorio de corte.

### **CUCHILLA DE CORTE LINEAL**

La cuchilla de acero en la protección mantiene el hilo de corte en el largo adecuado.

### **BOTÓN DE LIBERACIÓN DE LA BATERÍA**

Libera el paquete de baterías de la herramienta.

### **PALANCA**

Bloquea el paquete de baterías cuando se instala en la herramienta.

### **MECANISMO DE EYECCIÓN**

Ayuda en la extracción de la batería.

## ENSAMBLE

**⚠ ADVERTENCIA:** Si faltan piezas o hay piezas dañadas, no opere este producto hasta reemplazar dichas piezas. El uso de este producto con piezas dañadas o faltantes podría provocar lesiones graves.

**⚠ ADVERTENCIA:** No intente modificar este producto ni crear accesorios que no estén recomendados para usarse con esta orilladora de hilo. Cualquier alteración o modificación de ese tipo representa mal uso y puede generar condiciones peligrosas que causen posibles lesiones personales graves.

**⚠ ADVERTENCIA:** Siempre retire el paquete de baterías del producto cuando ensamble piezas, realice ajustes, limpie el producto o cuando no lo esté usando.

## DESEMBALAJE

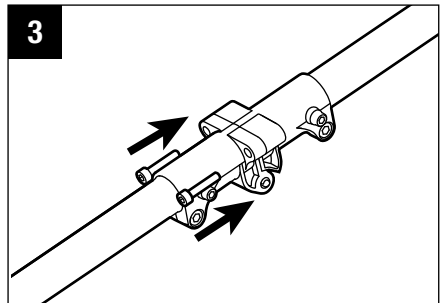
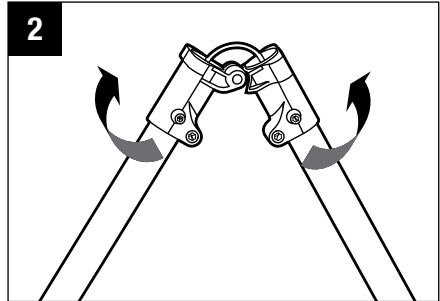
- Este producto requiere ensamble.
- Retire con cuidado el producto y cualquier accesorio de la caja. Asegúrese de que todos los elementos que aparecen en la lista de empaque estén incluidos.
- Inspeccione la herramienta con cuidado para asegurarse de que no se rompieron o se dañaron piezas durante el envío.
- No deseche el embalaje hasta que no haya inspeccionado cuidadosamente la herramienta y sepa que funciona correctamente.
- Si hay alguna pieza dañada o faltante, devuelva el producto al lugar donde lo compró.

## DESPLIEGUE DEL EJE (SOLO PARA EL MODELO ST1500SF/ST1500SF-FC)

**⚠ ADVERTENCIA:** evite sostener el eje por las juntas ya que podría pellizcarse las manos o los dedos.

**⚠ ADVERTENCIA:** no intente arrancar la orilladora hasta que se haya asegurado el eje.

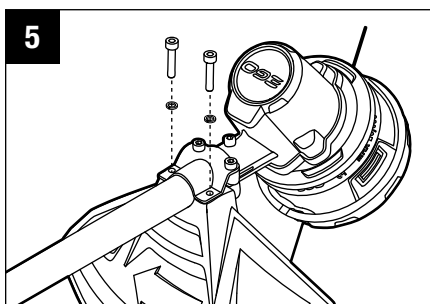
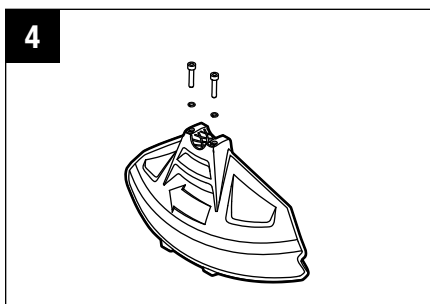
1. Retire el paquete de baterías de la orilladora.
2. Coloque la orilladora en el suelo y despliegue el eje con cuidado. Para evitar pellizcar el cable al cerrar los empalmes, asegúrese de que este se encuentre dentro del eje (Fig. 2).
3. Para cerrar y asegurar el eje, use la llave de tuercas y el pernos proporcionados (Fig. 3).



## MONTAJE DE LA PROTECCIÓN

**⚠ ADVERTENCIA:** siempre use guantes al montar o reemplazar el protector. Tenga cuidado con la cuchilla junto al protector y proteja sus manos ya que podría sufrir cortes.

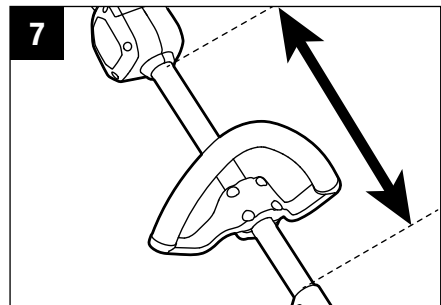
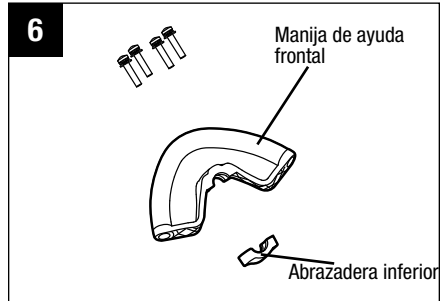
1. Retire el paquete de baterías de la orilladora.
2. Afloje los dos pernos de la protección con la llave hexagonal; retire los pernos y las arandelas de la protección (Fig. 4).
3. Levante el cabezal de la orilladora y oriéntelo hacia abajo; alinee los dos orificios de montaje en la protección con los dos orificios de ensamble en la base del eje. Asegúrese de que la superficie interna de la protección se oriente hacia el cabezal de la orilladora (Fig. 5).
4. Asegure el protector en su lugar con los dos pernos y la llave de tuercas proporcionada.



## MONTAJE Y AJUSTE DE LA MANIJA DE AYUDA FRONTAL

**⚠ ADVERTENCIA:** siempre retire el paquete de baterías del producto cuando ensamble piezas, realice ajustes o limpie el producto, o cuando el producto no esté en uso.

1. Retire el paquete de baterías de la orilladora.
2. Retire los cuatro tornillos y la abrazadera inferior de la manija con la llave de tuercas proporcionada (Fig. 6).
3. Fije la manija de ayuda frontal y la abrazadera inferior en el eje; asegúrelas apretando levemente los cuatro tornillos. Gire la manija de ayuda frontal hacia arriba para que apunte hacia la parte superior de la manija (Fig. 7).



4. Ubique la manija de ayuda frontal entre el armazón de la manija posterior y la unión del eje, tal como se muestra en la Figura 7. En el modelo ST1500F/ST1500F-FC, ubique la manija entre el armazón de la manija posterior y la etiqueta de advertencia del eje. Los usuarios de menor estatura podrán ubicar la manija en una posición inferior (lejos de uno) y los usuarios de mayor estatura podrán ubicar la manija en una posición superior (más cerca de uno). La manija frontal debe estar ubicada de tal manera que permita que, al usar la orilladora, el brazo que la toma esté estirado.
5. Apriete los cuatro tornillos de manera que la manija no pueda girar sobre el eje.

## FUNCIONAMIENTO

**⚠ ADVERTENCIA:** no permita que el conocimiento de este producto lo vuelva imprudente. Recuerde que un descuido de una fracción de segundo es suficiente para ocasionar lesiones graves.

**⚠ ADVERTENCIA:** siempre use lentes de protección con protección lateral que cumplan con la norma ANSI Z87.1, junto con protección auditiva. De lo contrario, podría provocar que se disparen objetos hacia sus ojos y otras posibles lesiones graves.

**⚠ ADVERTENCIA:** no use ningún aditamento o accesorio que no haya sido recomendado por el fabricante de este producto. El uso de suplementos o accesorios diferentes a los recomendados podría provocar lesiones graves.

### INSTALACIÓN/EXTRACCIÓN DEL PAQUETE DE BATERÍAS (Fig. 8 y 9)

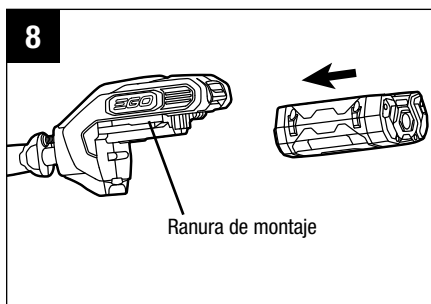
**⚠ ADVERTENCIA:** siempre retire el paquete de baterías del producto cuando ensamble piezas, realice ajustes o limpie el producto, o cuando no esté en uso. De esta manera, evitará el arranque accidental, el que podría provocar lesiones personales graves.

**NOTA:** cargue completamente el paquete de baterías antes de usarlo por primera vez.

#### Instalación del paquete de baterías (Fig. 8)

1. Alinee las aletas del paquete de baterías con las ranuras de montaje en el puerto de la batería de la orilladora.
2. Presione el paquete de baterías hacia el cabezal de la orilladora hasta que calce en su posición.

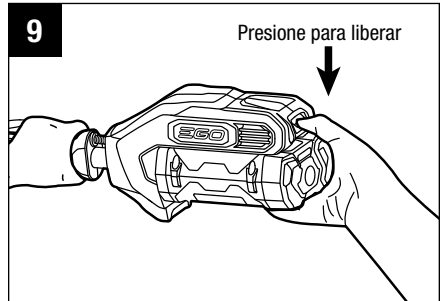
**NOTA:** asegúrese de que las aletas de la orilladora encajen en su lugar y que el paquete de baterías esté bien colocado en la herramienta antes de ponerla en funcionamiento.



## Extracción del paquete de baterías (Fig. 9)

**⚠ ADVERTENCIA:** siempre tenga cuidado con la ubicación de sus pies, los niños o las mascotas cuando presione el botón de liberación de la batería. Se podrían provocar lesiones graves si se cae el paquete de baterías. **NUNCA** retire el paquete de baterías cuando se encuentre a gran altura del suelo.

1. Sostenga el paquete de baterías en la palma de su mano.
2. Presione el botón de liberación de la batería con el pulgar; el paquete de baterías se separará del pasador.
3. Tome el paquete de baterías y retírelo de la orilladora.



## MODO DE SOSTENER LA ORILLADORA

**⚠ ADVERTENCIA:** utilice la ropa adecuada para reducir el riesgo de lesiones cuando opere la herramienta. No use ropa holgada ni joyas. Use protección para los ojos y los oídos/la audición. Use pantalones largos, mangas largas, botas y guantes gruesos. No use pantalones cortos, sandalias ni ande descalzo.

Antes de operar la unidad, colóquese en la posición de operación y verifique que:

- El operador use lentes de protección y ropa adecuada.
- Un brazo esté ligeramente doblado y que la mano de ese brazo sostenga la manija posterior.
- El otro brazo esté recto y que con la mano se sostenga la manija de ayuda frontal.
- El cabezal de la orilladora esté paralelo al suelo y que haga contacto fácilmente con el material de corte sin que el operador deba agacharse (Fig. 10).



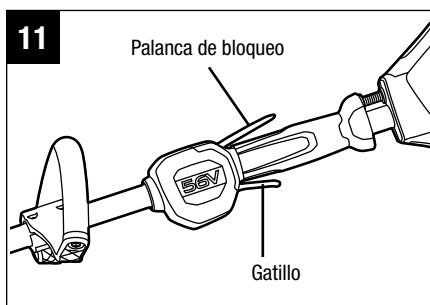
## ARRANQUE Y DETENCIÓN DE LA ORILLADORA DE HILO

Antes de poner en funcionamiento la orilladora de hilo

- Asegúrese de estar bien parado, con los pies firmes y en equilibrio.
- Párese derecho y sostenga la orilladora en una posición relajada.
- Asegúrese de que el hilo de corte no toque el piso ni otros objetos.
- Sostenga la orilladora de hilo con ambas manos: una mano en la manija posterior y la otra en la manija de ayuda frontal.

### Arranque de la orilladora de hilo (Fig. 11)

1. Presione la palanca de bloqueo hacia abajo y manténgala en esa posición. Presione el gatillo para encender la orilladora de hilo.
2. La velocidad de rotación del hilo de corte se controla con el gatillo de velocidad variable. Aplique más presión sobre el gatillo para aumentar la velocidad de corte; aplique menos presión para disminuir la velocidad de corte. Ajuste la velocidad según la tarea que deba realizar.



**AVISO:** el motor funcionará solo cuando la palanca de bloqueo y el gatillo se encuentren presionados.

### Detención de la orilladora de hilo

Para detener la orilladora de hilo, suelte la palanca de bloqueo y el gatillo.

**⚠ ADVERTENCIA:** retire siempre el paquete de baterías de la orilladora de hilo durante pausas en el trabajo y después de finalizarlo.



## USO DE LA ORILLADORA DE HILO

**⚠ ADVERTENCIA:** para evitar lesiones personales graves, use siempre gafas de seguridad o lentes de protección al operar este producto. Use una máscara o mascarilla antipolvo en lugares polvorientos.

Limpie el área que cortará antes de cada uso. Retire todos los objetos como piedras, vidrios rotos, clavos, alambres o cordeles que puedan ser arrojados o atascarse en los accesorios de corte. Mantenga alejados a los niños, los transeúntes y las mascotas. Mantenga a los niños, los transeúntes y las mascotas a 30,48 m de distancia como mínimo; aún podrían existir riesgos para los transeúntes debido a los objetos disparados. Se debe pedir a los transeúntes que usen lentes de protección. Si un transeúnte se acerca a usted, pare el motor inmediatamente.

**⚠ ADVERTENCIA:** para evitar lesiones personales graves, retire el paquete de baterías de la herramienta antes de realizarle mantenimiento, limpiarla, cambiar los accesorios o retirar materiales de la unidad.

## Revisión de piezas dañadas o desgastadas antes de cada uso

Revise el cabezal de la orilladora, la protección y la manija de ayuda frontal, y reemplace todas las piezas agrietadas, torcidas, dobladas o dañadas.

La cuchilla del hilo de corte en el borde de la protección puede desafilarse con el tiempo. Se recomienda que la afile con una lima o la reemplace por una cuchilla nueva.

**⚠ ADVERTENCIA:** siempre use guantes al montar o reemplazar la protección o al afilar o reemplazar la cuchilla. Sea consciente de la ubicación de la cuchilla junto al protector y proteja las manos contra lesiones.

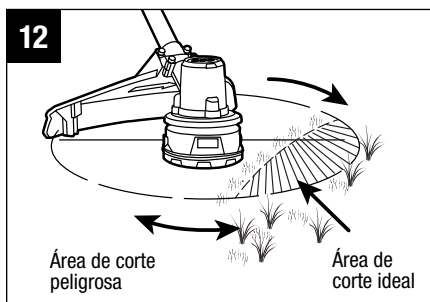
## Limpie la orilladora después de cada uso

Para obtener instrucciones sobre la limpieza del producto, diríjase a la sección Mantenimiento.

**⚠ ADVERTENCIA:** nunca utilice agua para limpiar la orilladora. Evite el uso de solventes para limpiar las piezas de plástico. La mayoría de los plásticos son susceptibles a diferentes tipos de solventes comerciales. Utilice paños limpios para eliminar la suciedad, el polvo, el aceite, la grasa, etc.

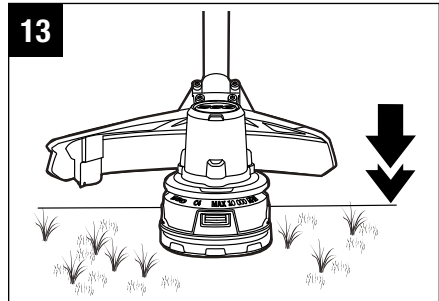
## Consejos para obtener mejores resultados de corte (Fig. 12)

- El ángulo correcto para el accesorio de corte es paralelo al suelo.
- No fuerce la herramienta. Permita que la punta del hilo realice el corte (especialmente contra las paredes). Si no corta solo con la punta, se reducirá la eficiencia de corte y se podría sobrecargar el motor.
- El alto del corte está determinado por la distancia del hilo de corte desde la superficie del césped.
- El césped por sobre 200 mm debe cortarse comenzando desde la parte superior hacia abajo en incrementos pequeños para evitar el desgaste prematuro del hilo o la guía del motor.
- Mueva lentamente la orilladora dentro y fuera del área que cortará y mantenga la posición del cabezal de corte en la altura de corte que desea. Este puede ser un movimiento hacia delante y hacia atrás, o de un lado a otro. El corte de medidas más reducidas produce mejores resultados.
- Corte solo cuando el césped y las malezas estén secos.
- Las cercas de alambre y de estacas pueden causar un desgaste excesivo o roturas. Las paredes de piedra o ladrillo, los bordillos y la madera pueden desgastar los hilos rápidamente.
- Evite los árboles y arbustos. Los hilos pueden dañar con facilidad la corteza de los árboles, las molduras de madera, los paneles de revestimiento y los postes de cercas.



## AJUSTE DE LA LONGITUD DEL HILO DE CORTE

El cabezal de corte permite al operador liberar más hilo de corte sin detener el motor. A medida que el hilo se deshilacha o desgasta, es posible que se libere hilo adicional al golpear levemente el cabezal de la orilladora de hilo en el suelo mientras opera la orilladora (Fig. 13).



**⚠ ADVERTENCIA:** no retire ni modifique el ensamble de la cuchilla del hilo de corte. Un largo excesivo del hilo puede provocar que el motor se sobrecaliente y resultar en lesiones personales graves.

Para obtener mejores resultados, golpee el cabezal de la orilladora de hilo en un suelo sin plantas o en suelo duro. Si se intenta liberar el hilo en césped alto, el motor podría sobrecalentarse. Mantenga siempre el hilo de corte completamente extendido. La liberación del hilo se hace más difícil a medida que este se hace más corto.

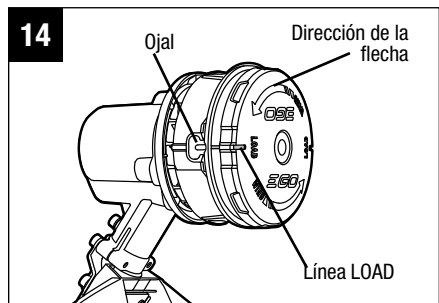
## REEMPLAZO DEL HILO

**AVISO:** use siempre el hilo de corte de nailon recomendado con un diámetro que no supere los 2,4 mm (0,095 pulg.). Usar un hilo distinto al especificado puede causar que la orilladora de hilo se sobrecaliente o se dañe.

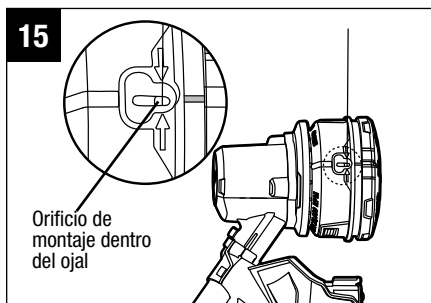
**⚠ ADVERTENCIA:** nunca use hilo de metal reforzado, alambre o cuerda, etc. Este podría romperse y convertirse en un proyectil peligroso.

**⚠ ADVERTENCIA:** para evitar lesiones personales graves, retire el paquete de baterías de la herramienta antes de realizarle mantenimiento, limpiarla, cambiar los accesorios o retirar materiales de la unidad.

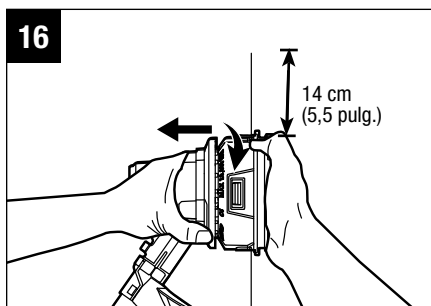
1. Retire el paquete de baterías.
2. Gire el contenedor del carrete en la dirección que indica la flecha para alinear la línea LOAD del contenedor con los ojales de la base del carrete (Fig. 14).



3. Corte un trozo de hilo de corte de 5 m (16 pies) de largo. Inserte el hilo en el orificio de montaje, ubicado dentro del ojal. Empuje hasta que la punta del hilo aparezca por el otro lado de la base del carrete. Jale de la punta del hilo del otro lado hasta que haya la misma cantidad de hilo en ambos lados del carrete (Fig. 15).



4. Presione, mientras gira el contenedor del carrete en la dirección que indica la flecha para enrollar el hilo de corte dentro del carrete hasta que haya aproximadamente 14 cm (5,5 pulg.) de hilo en cada lado (Fig. 16).



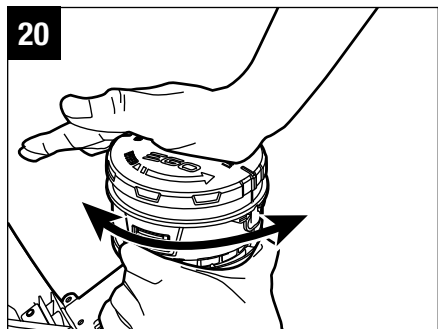
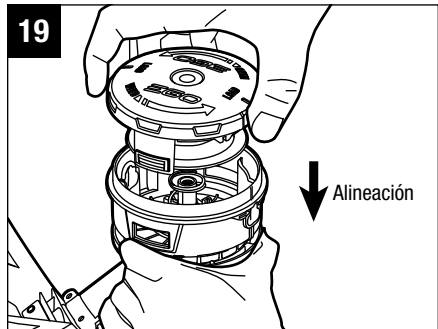
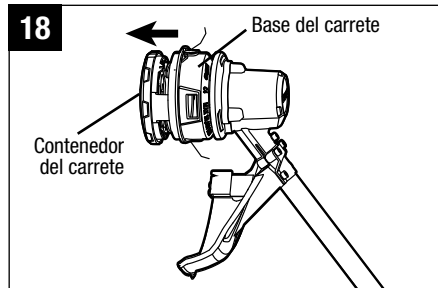
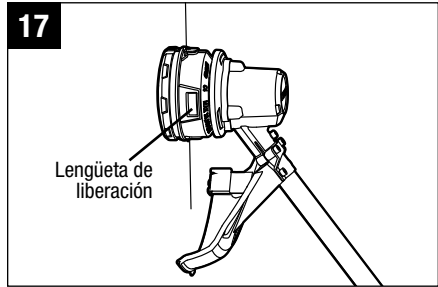
5. Empuje el contenedor del carrete hacia abajo y, al mismo tiempo, jale de los hilos para hacer avanzar el hilo de forma manual y para confirmar que el cabezal de la orilladora está ensamblado correctamente.

## RECARGA DEL HILO DE CORTE (SI FUERA NECESARIO)

**AVISO:** si el hilo de corte se corta de la salida de hilo o si, al momento de presionar el cabezal de la orilladora contra el suelo, el hilo de corte no sale, deberá retirar el hilo de corte restante del contenedor del carrete y seguir los pasos a continuación para recargar el hilo.

1. Retire el paquete de baterías.

2. Presione las lengüetas de liberación en el contenedor del carrete y retírelo jalando hacia fuera (Fig. 17 y 18).
3. Retire el hilo de corte del contenedor del carrete.
4. Use una mano para sostener la base del carrete y otra mano para sujetar el contenedor del carrete y alinear las lengüetas del contenedor del carrete con los orificios de la base del carrete. Use la palma de la mano para presionar y girar el contenedor del carrete hasta que las lengüetas queden aseguradas en la base del carrete. (Fig. 19 y 20).
5. Siga las instrucciones en "REEMPLAZO DEL HILO" para recargar el hilo de corte.



## MANTENIMIENTO

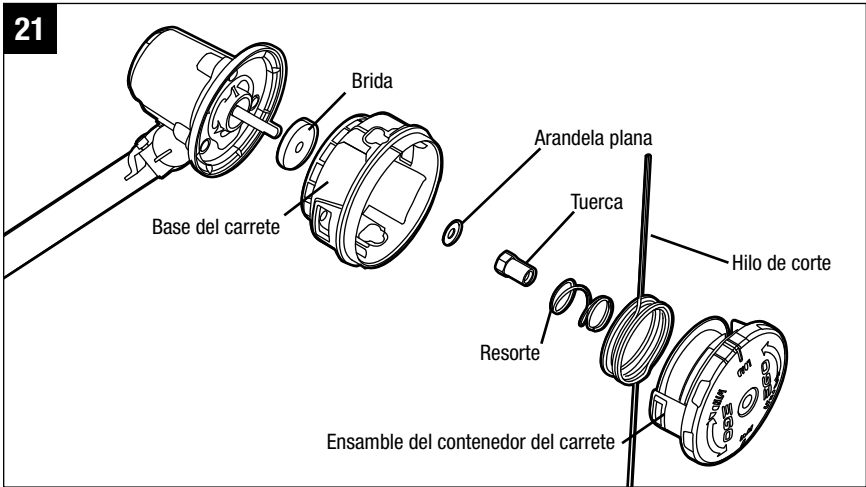
**⚠ ADVERTENCIA:** cuando realice el mantenimiento, solo use piezas de repuesto idénticas. El uso de otras piezas puede generar un peligro o dañar el producto. Para garantizar la seguridad y confiabilidad, todas las reparaciones las debe realizar un técnico calificado.

**⚠ ADVERTENCIA:** las herramientas a batería no necesitan estar conectadas a un enchufe, por lo que siempre se encuentran en condiciones de funcionar. Para evitar lesiones personales graves, tome precauciones adicionales y tenga cuidado al realizar mantenimiento, reparar o cambiar el accesorio de corte u otros accesorios.

**⚠ ADVERTENCIA:** para evitar lesiones personales graves, retire siempre el paquete de baterías de la herramienta antes de realizarle mantenimiento, limpiarla, cambiar los accesorios adicionales o retirar materiales de la unidad.

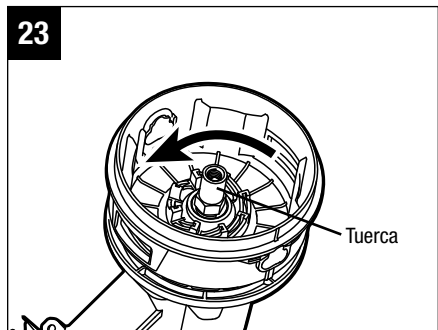
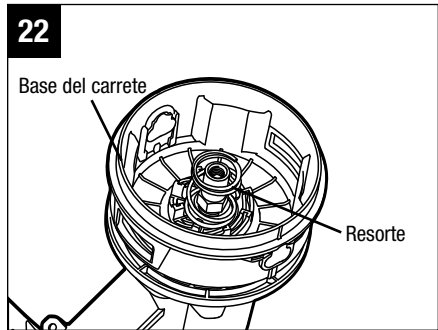
### REEMPLAZO DEL CABEZAL DE LA ORILLADORA

**⚠ PELIGRO:** si el cabezal se afloja luego de fijarlo en su posición, reemplácelo de inmediato. Nunca use una orilladora con un accesorio de corte suelto. Reemplace los cabezales agrietados, dañados o gastados de inmediato, aunque solo se trate de grietas superficiales. Dichos accesorios podrían desprenderse a alta velocidad y provocar lesiones graves.

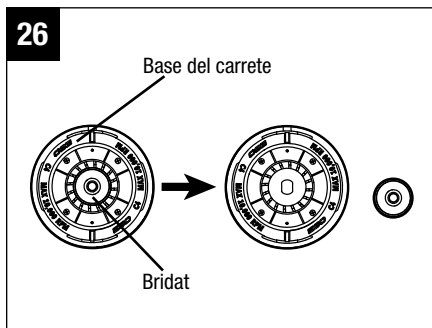
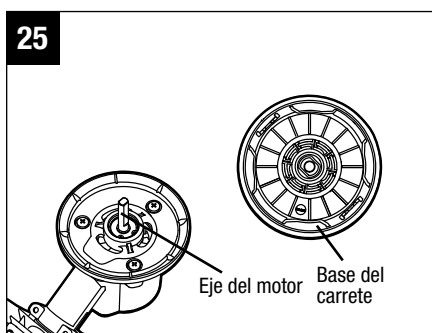
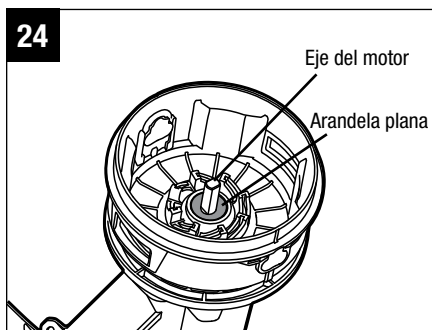


## Extracción del cabezal de la orilladora

1. Presione las 2 lengüetas de liberación del contenedor del carrete para retirarlo (ver Fig. 17 y 18).
2. Jale del resorte para quitarlo de la base del carrete (Fig. 22).
3. Use guantes para sostener la base del carrete con una mano y, con la otra, use una llave de tubo de impacto (14 mm, 9/16 pulg.) para aflojar y retirar la tuerca (Fig. 23).



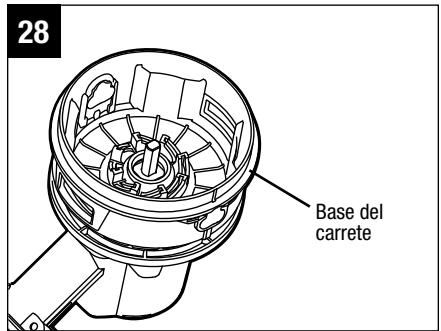
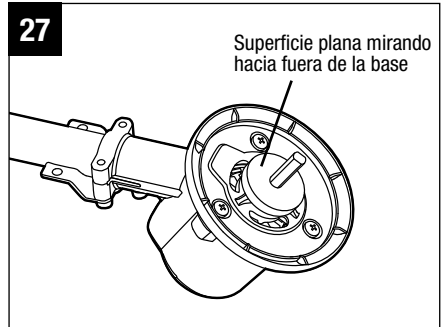
4. Retire la arandela plana del eje del motor y guárdela para cuando vuelva a ensamblarlo (Fig. 24).
5. Sujete la base del carrete y júlela hacia fuera del eje del motor (Fig. 25).
6. Retire la brida de la base del carrete y guárdela para usarla en la base nueva del carrete (Fig. 26).



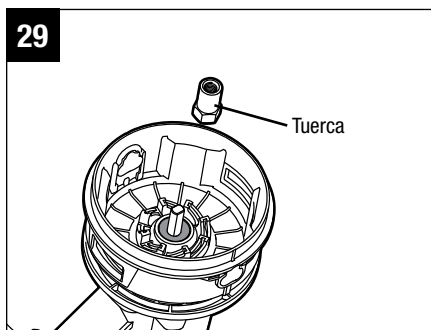


## Instalación del nuevo cabezal de la orilladora

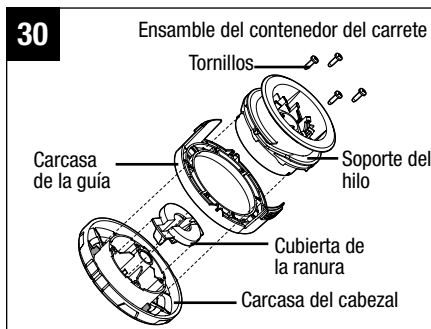
1. Coloque la brida que retiró en el paso 6 de la sección "Extracción del cabezal de la orilladora" sobre el eje del motor, con la superficie plana mirando hacia fuera de la base (Fig. 27).
2. Alinee el orificio para montaje de la base del carrete con el eje del motor y coloque la base sobre el eje (Fig. 28).
3. Coloque la arandela plana en el eje del motor (Fig. 24).



4. Coloque la tuerca en el eje y gírelo con la mano en dirección de las manecillas del reloj para preajustarlo (Fig. 29).
5. Use guantes para sostener la base del carrete con una mano y, con la otra, use una llave de tubo (14 mm, 9/16 pulg.) para ajustar la tuerca al eje.



6. Coloque el resorte en la base del carrete y asegúrese de que está bien ubicado en su lugar (Fig. 22).
7. Use una mano para sostener la base del carrete y, con la otra, sujete el contenedor del carrete y alinee las lengüetas del contenedor del carrete con los orificios de la base del carrete. Use la palma de la mano para presionar y girar el contenedor del carrete hacia la izquierda y la derecha hasta lograr que las lengüetas estén aseguradas con la base del carrete (Fig. 19 y 20).



8. Si alguna de las piezas del ensamblaje del contenedor del carrete se encuentra dañada o desgastada, reemplácela y vuelva a ensamblar la pieza como se muestra en la (Fig. 30).

**AVISO:** Si se desmonta el contenedor del carrete: durante el reensamblaje, asegúrese de que la muesca en el portacables esté alineada correctamente con la lengüeta correspondiente en la carcasa del cabezal (Fig. 30).

## LIMPIEZA DE LA UNIDAD

- Limpie todo el pasto que haya quedado alrededor del eje del motor o del cabezal de la orilladora.
- Use un cepillo pequeño o una aspiradora pequeña para limpiar los orificios de ventilación de la carcasa posterior.

- Mantenga los orificios de ventilación libres de obstrucciones.
- Limpie la unidad con un paño húmedo y detergente suave.
- No use detergentes fuertes en la carcasa de plástico o la manija. Pueden dañarse con ciertos aceites aromáticos, como el de pino o limón. No use solventes como el queroseno. La humedad también puede producir riesgos de descargas eléctricas. Limpie la humedad con un paño limpio y seco.

## AFILADO DE LA CUCHILLA DE CORTE LINEAL

**⚠ ADVERTENCIA:** siempre proteja las manos con guantes para trabajo pesado cuando realice el mantenimiento de la cuchilla de corte lineal.

1. Retire la cuchilla de corte lineal de la protección.
2. Asegure la cuchilla en una prensa de tornillo.
3. Use guantes y lentes de protección adecuados y tenga cuidado de no cortarse.
4. Lime cuidadosamente los bordes de corte de la cuchilla con una lima de dientes finos o una piedra de afilar y mantenga el borde de corte original.
5. Reemplace la cuchilla en el protector y asegúrela con dos tornillos.

## ALMACENAMIENTO DE LA UNIDAD

- Retire el paquete de baterías de la orilladora.
- Limpie bien la herramienta antes de almacenarla.
- Almacene la unidad en un área bien ventilada, cerrada o en altura, alejada del alcance de los niños. No almacene la unidad con fertilizantes, gasolina u otros químicos o en cercanía de estos.

## SOLUCIÓN DE PROBLEMAS

PROBLEMA	CAUSA	SOLUCIÓN
La orilladora de hilo no arranca.	<ul style="list-style-type: none"> <li>■ El paquete de baterías no está bien colocado en la orilladora.</li> <li>■ No hay contacto eléctrico entre la orilladora y la batería.</li> <li>■ El paquete de baterías está agotado.</li> <li>■ La palanca de bloqueo y el gatillo no se presionaron simultáneamente.</li> </ul>	<ul style="list-style-type: none"> <li>■ Coloque el paquete de baterías en la orilladora.</li> <li>■ Retire la batería, revise los contactos y vuelva a instalar el paquete de baterías.</li> <li>■ Cargue el paquete de baterías.</li> <li>■ Mantenga presionada la palanca de bloqueo hacia abajo y suelte el gatillo para encender la orilladora de hilo.</li> </ul>
La orilladora de hilo se detiene durante el corte.	<ul style="list-style-type: none"> <li>■ El protector no está montado en la orilladora, lo que hace que el hilo de corte sea demasiado largo y que el motor se sobrecargue.</li> <li>■ El hilo de corte que utiliza es pesado.</li> <li>■ Hay césped enredado en el eje del motor o en el cabezal de la orilladora.</li> <li>■ El motor está sobrecargado.</li> <li>■ El paquete de baterías o la orilladora están muy calientes.</li> <li>■ El paquete de baterías está desconectado de la herramienta.</li> <li>■ El paquete de baterías está agotado.</li> </ul>	<ul style="list-style-type: none"> <li>■ Retire el paquete de baterías e instale la protección en la orilladora.</li> <li>■ Use solo un hilo de corte de nailon de 0.095 pulg (2.4 mm) de diámetro o menos.</li> <li>■ Detenga la orilladora, retire la batería y limpie el césped del eje del motor y del cabezal de la orilladora.</li> <li>■ Retire el cabezal de la orilladora del césped. El motor volverá a funcionar cuando se retire la carga. Cuando realice cortes, mueva el cabezal de la orilladora hacia adentro y hacia afuera del césped a cortar. No corte más de Change to: 8 pulgadas (20.32 cm) de largo en una sola cortada.</li> <li>■ Deje enfriar el paquete de baterías o la orilladora hasta que la temperatura descienda por debajo de los 152 °F (67 °C).</li> <li>■ Vuelva a instalar el paquete de baterías.</li> <li>■ Cargue el paquete de baterías.</li> </ul>

PROBLEMA	CAUSA	SOLUCIÓN
<p>El cabezal de la orilladora no avanza el hilo.</p>	<ul style="list-style-type: none"> <li>■ Hay césped enredado en el eje del motor o en el cabezal de la orilladora.</li> <li>■ No hay suficiente hilo en el carrete.</li> <li>■ El cabezal de la orilladora está sucio.</li> <li>■ El hilo está enredado en el carrete.</li> <li>■ El hilo es demasiado corto.</li> </ul>	<ul style="list-style-type: none"> <li>■ Detenga la orilladora, retire la batería y limpie el motor y el cabezal de la orilladora.</li> <li>■ Retire la batería y reemplace el hilo de corte; siga las instrucciones de la sección “REEMPLAZO DEL HILO” de este manual.</li> <li>■ Retire la batería y limpie el carrete, el tope y la base del carrete.</li> <li>■ Retire la batería, retire el hilo del carrete y rebóbinelo; siga las instrucciones de la sección “REEMPLAZO DEL HILO” de este manual.</li> <li>■ Retire la batería y jale los hilos mientras presiona y suelta alternadamente la perilla del golpeador.</li> </ul>
<p>El césped se enreda alrededor del cabezal de la orilladora y de la carcasa del motor.</p>	<ul style="list-style-type: none"> <li>■ Corte del césped alto a nivel del suelo.</li> </ul>	<ul style="list-style-type: none"> <li>■ Corte el césped alto desde la parte superior. Para evitar que el césped se enrede, no corte más de 8 pulgadas (20,32 cm) por cada cortada.</li> </ul>
<p>El hilo no corta correctamente.</p>	<ul style="list-style-type: none"> <li>■ La cuchilla del hilo de corte en el borde de la protección se desafiló.</li> </ul>	<ul style="list-style-type: none"> <li>■ Afíle la cuchilla del hilo de corte con una lima o reemplácela por una cuchilla nueva.</li> </ul>
<p>Las grietas en el cabezal de la orilladora o el contenedor de carrete hacen que se afloje la base del carrete.</p>	<ul style="list-style-type: none"> <li>■ El cabezal de la orilladora está gastado.</li> </ul>	<ul style="list-style-type: none"> <li>■ Reemplace el cabezal de la orilladora inmediatamente según lo indicado en la sección “REEMPLAZO DEL CABEZAL DE LA ORILLADORA” de este manual.</li> </ul>

<b>PROBLEMA</b>	<b>CAUSA</b>	<b>SOLUCIÓN</b>
Al querer reemplazar el hilo, no se puede cargar correctamente el hilo dentro del cabezal de la orilladora.	<ul style="list-style-type: none"><li>■ Las líneas LOAD del contenedor del carrete no están alineadas con los ojales de la base del carrete.</li><li>■ El hilo no está correctamente ubicado dentro del orificio de montaje del ojal.</li></ul>	<ul style="list-style-type: none"><li>■ Gire el contenedor del carrete en la dirección que muestra la flecha para alinear las líneas LOAD con los ojales de la base del carrete.</li><li>■ Alinee primero las líneas LOAD con los ojales y, luego, inserte el hilo dentro del orificio de montaje, ubicado dentro del ojal.</li></ul>

# GARANTÍA

## POLÍTICA DE GARANTÍA

Garantía limitada de 5 años en equipos de energía para exteriores y energía portátil EGO POWER+ para uso doméstico personal.

Garantía limitada de 3 años en paquetes de baterías y cargadores con el Sistema EGO POWER+ para uso doméstico personal.

Garantía limitada de 2 años/1 año en equipos de energía para exteriores, energía portátil, paquetes de baterías y cargadores EGO para uso profesional y comercial.

Los períodos de garantía detallados por productos se pueden encontrar en línea en <http://egopowerplus.com/pages/warranty-policy>.

**Póngase en contacto con Servicio al Cliente de EGO de manera gratuita al 1-855-EGO-5656**, cuando tenga preguntas o reclamaciones de garantía.

## GARANTÍA LIMITADA DE SERVICIO

Los productos EGO están garantizados contra defectos de material o de fabricación a partir de la fecha de compra original al por menor durante el período de garantía aplicable. El producto defectuoso será reparado gratuitamente.

- a) Esta garantía se aplica solo al comprador original del distribuidor minorista autorizado de EGO y podría no ser transferible. Los distribuidores minoristas autorizados de EGO se identifican en línea, en <http://egopowerplus.com/pages/warranty-policy>.
- b) El período de garantía para productos reacondicionados o certificados de fábrica que se utilizan para fines residenciales es de 1 año, para fines industriales, profesionales o comerciales es de 90 días.
- c) El período de garantía para piezas del mantenimiento de rutina, incluidas, entre otras, cuchillas, cabezales de orilladoras, listones de cadenas, cadenas de motosierras, correas, barras raspadoras, boquillas de sopladores y todos los demás accesorios EGO, es de 90 días con fines residenciales y de 30 días para propósitos industriales, profesionales o comerciales. Estas piezas tienen cobertura durante 90/30 días por defectos de fabricación en condiciones normales de trabajo.
- d) Esta garantía queda nula si el producto se ha puesto en alquiler.
- e) Esta garantía no cubre daños producto de modificaciones, alteraciones o reparaciones no autorizadas.

- f) Esta garantía solo cubre defectos que surjan del uso normal y no cubre el mal funcionamiento, las fallas ni los defectos que resulten del mal uso, el abuso (que incluye la sobrecarga del producto más allá de su capacidad y sumergirlo en agua o en cualquier otro líquido), accidentes, negligencia o falta de instalación adecuada y mantenimiento o almacenamiento inadecuados.
- g) Esta garantía no cubre el deterioro normal del acabado exterior, incluidos, entre otros, rayones, abolladuras, trozos de pintura o cualquier corrosión o decoloración producida por el calor o limpiadores químicos y abrasivos.

## CÓMO OBTENER EL SERVICIO

Para obtener el servicio de garantía, póngase en contacto con Servicio al Cliente de EGO de manera gratuita al **1-855-EGO-5656**. Cuando pida un servicio cubierto por la garantía, debe presentar el recibo con la fecha original de venta. Un centro de servicio autorizado será seleccionado para reparar el producto de acuerdo con los términos establecidos en la garantía. Cuando lleve el producto al centro de servicio autorizado, es posible que deba hacer un pequeño depósito cuando deje la herramienta. Este depósito se reembolsará cuando se considere que el servicio de reparación se haya cubierto con la garantía.

## LIMITACIONES ADICIONALES

En la medida en que la ley aplicable lo permita, se deniegan todas las garantías implícitas, inclusive las garantías de COMERCIALIZADIDAD o IDONEIDAD PARA UN PROPÓSITO ESPECÍFICO. Todas las garantías implícitas, inclusive las garantías de comerciabilidad o idoneidad para un propósito específico, que no se puedan denegar bajo la ley estatal, están limitadas al período de garantía aplicable definido al comienzo de este artículo.

Chervon North America no se hará responsable por daños directos, indirectos, accidentales o resultantes.

Algunos estados no permiten limitaciones con respecto a la duración de una garantía implícita y/o no permiten la exclusión o limitación de daños accidentales o resultantes, de modo que las limitaciones antes descritas podrían no aplicarse en su caso.

Esta garantía le otorga derechos legales específicos, pero podría tener también otros derechos que varían según el estado.

Para obtener el servicio al cliente, póngase en contacto con nosotros de manera gratuita al: **1-855-EGO-5656** o visite: **EGOPOWERPLUS.COM**  
EGO Customer Service, 769 SEWARD AVE NW / Suite 102 Grand Rapids, MI 49504