

LELY

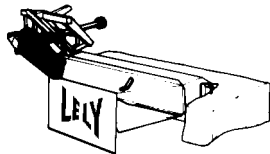
OPTIMO

type number
type number
numéro de type
Typnummervanaf serienummer
as from serial number
après numéro de série
ab Seriennummer

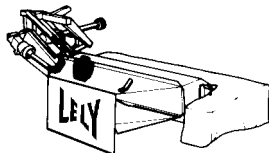
240 C

4.1207.0300.2
4.1207.0301.1
4.1207.0302.1
4.1207.0303.1960 - 0501
982 - 0501
1012 - 0501
10110 - 0501

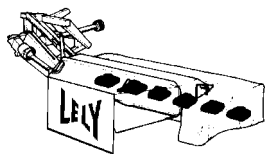
240 C

4.1207.0031.2
4.1207.0220.1
4.1207.0021.1960 - 0501
963 - 0501
1002 - 0501**C6**Inhoud
Contents
Index
Inhalt**OPTIMO 240 C**pagina
page
page
SeiteSnaaraandrijving
V-belt drive
Entraînement à courroies
Keilriemenantrieb

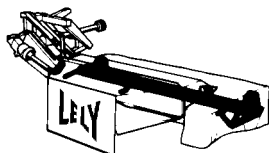
01

Tandwielkast
Gearbox
Boîte d'engrenages
Getriebe

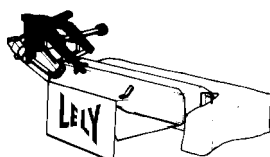
02

Maaielementen
Cutting units
Unités de fauchage
Mäh-Einheiten

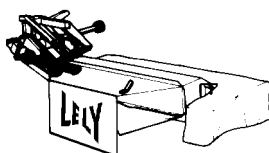
03

Maaibalk
Cutter bar
Barre de coupe
Mähbalken

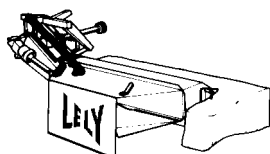
04

Driepuntsbok
Headstock
Tête d'attelage
Dreipunktturm

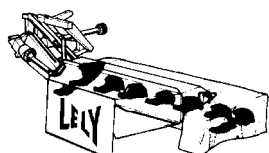
05

Freem + uitslagbeveiliging
Frame + anti-shock device
Châssis + dispositif anti-choc
Rahmen + Ausklinkvorrichtung

06

Hydraulische cilinder
Hydraulic ram
Vérin hydraulique
Hydraulikzylinder

07

Beschermlaten
Protection plates
Plaques de protection
Schutzplatten

08

LELY

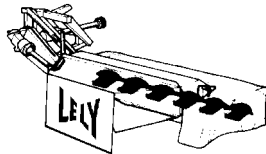
OPTIMO

type number
type number
numéro de type
Typnummervanaf serienummer
as from serial number
après numéro de série
ab Seriennummer

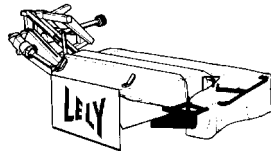
240 C

4.1207.0300.2
4.1207.0301.1
4.1207.0302.1
4.1207.0303.1960 - 0501
982 - 0501
1012 - 0501
10110 - 0501

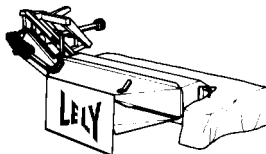
240 C

4.1207.0031.2
4.1207.0220.1
4.1207.0021.1960 - 0501
963 - 0501
1002 - 0501**C6**Inhoud
Contents
Index
Inhalt**OPTIMO 240 C**pagina
page
page
SeiteMaaibalk-steenbescherming
Cutter bar stone protection
Jeu de protection anti-pierres
Mähbalken-Steinschützsatz

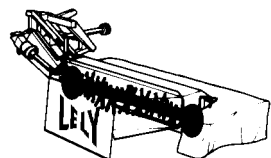
09

Beschermbeugels
Protection brackets
Arceaux protecteur
Schutzbügel

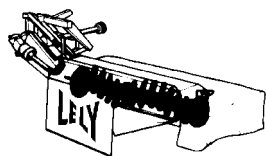
10

Kneuzer-tandwielkast
Conditioner gearbox
Boîte de vitesse de conditionneuse
Aufbereitergetriebe

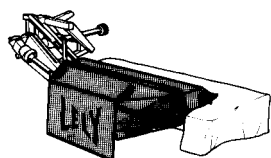
11

Rotor (ronde kneusvingers)
Rotor (round flails)
Rotor (fléaux ronds)
Rotor (runde Schlegel)

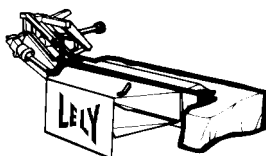
12

Rotor (platte kneusvingers)
Rotor flat flails)
Rotor (fléaux plats)
Rotor (flache Schlegel)

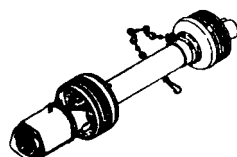
13

Kneuzerkap
Conditioner hood
Capot conditionneuse
Aufbereiterhaube

14

Kneuzerfreem
Conditioner frame
Châssis conditionneuse
Aufbereiterrahmen

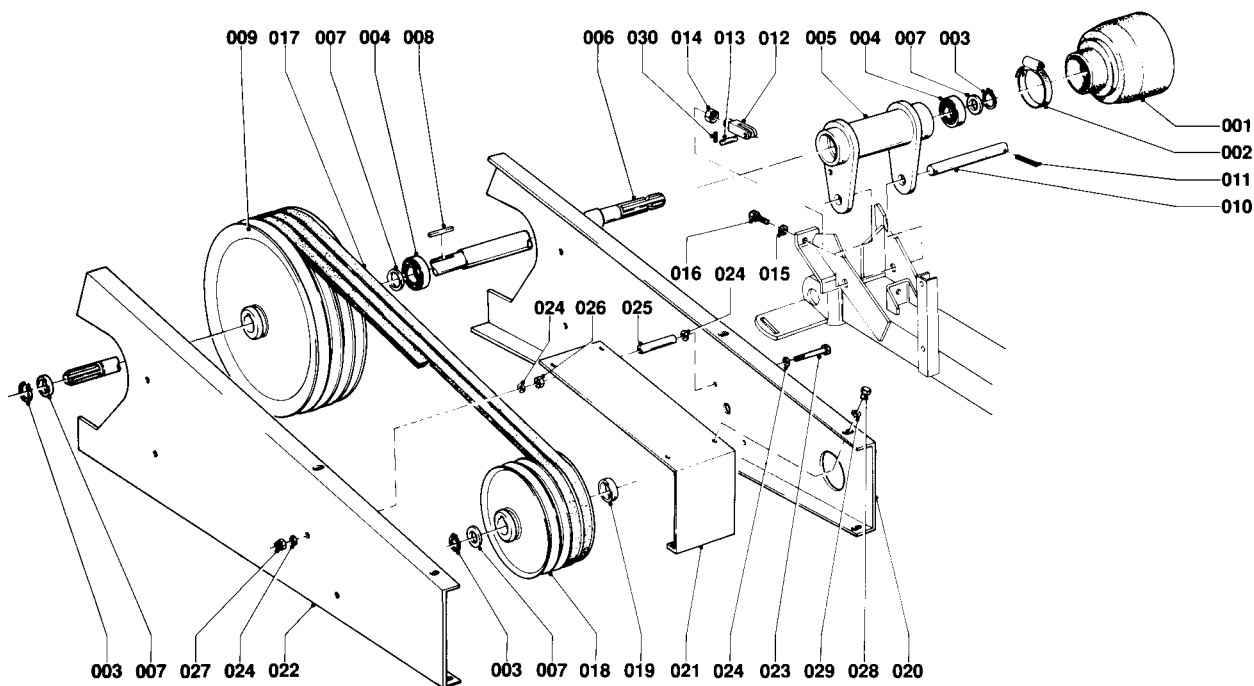
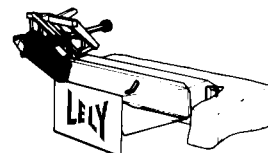
15

Koppelingsas
PTO shaft
Arbre de transmission
Gelenkwelle

16 + 17

LELY

	type nummer type number numéro de type Typnummer	vanaf serienummer as from serial number après numéro de serie ab Seriennummer
OPTIMO 240 C	4.1207.0300.1	949 - 0501
OPTIMO 240 C	4.1207.0300.2	960 - 0501



E009-03-00

REF.	ONDERDEELNR. PART NUMBER REFERENCE TEILNUMMER	AANTAL QUANTITY QUANTITE ANZAHL
------	--	--

001	9.1161.0014.0	1
002	9.1066.0010.0	1
003	9.1119.0019.5	3
004	9.1001.0025.3	2
005	4.1201.0522.0	1
006	4.1207.0378.0	1
007	9.1052.0006.3	4
008	9.1071.0037.1	1
009	4.1203.0527.0	1
010	4.1201.1478.0	1
011	9.1070.0023*2	2
012	9.1038.0006*3	1
013	4.1201.1471.0	1
014	9.1029.0008*0	1
015	9.1048.0012*6	1
016	9.1113.0061*4	1
017	9.1075.0003.5	4
018	4.1203.1497.0	1
019	4.1201.1496.0	1
020	4.1207.0618.0	1
021	4.1201.0500.0	1
022	4.1207.0619.0	1
023	9.1113.0123*3	4
024	9.1049.0018.4	16
025	4.1201.1497.0	4

REF.	ONDERDEELNR. PART NUMBER REFERENCE TEILNUMMER	AANTAL QUANTITY QUANTITE ANZAHL
------	--	--

026	9.1029.0005*4	4
027	9.1030.0004*2	4
028	9.1113.0013*5	6
029	9.1051.0001*6	6
030	9.1070.0017*3	2

M10 DIN 934-8
M10 DIN 985-8
M8x16 DIN 933-8.8
A8,2 DIN 6798
Ø6x30 DIN 1481

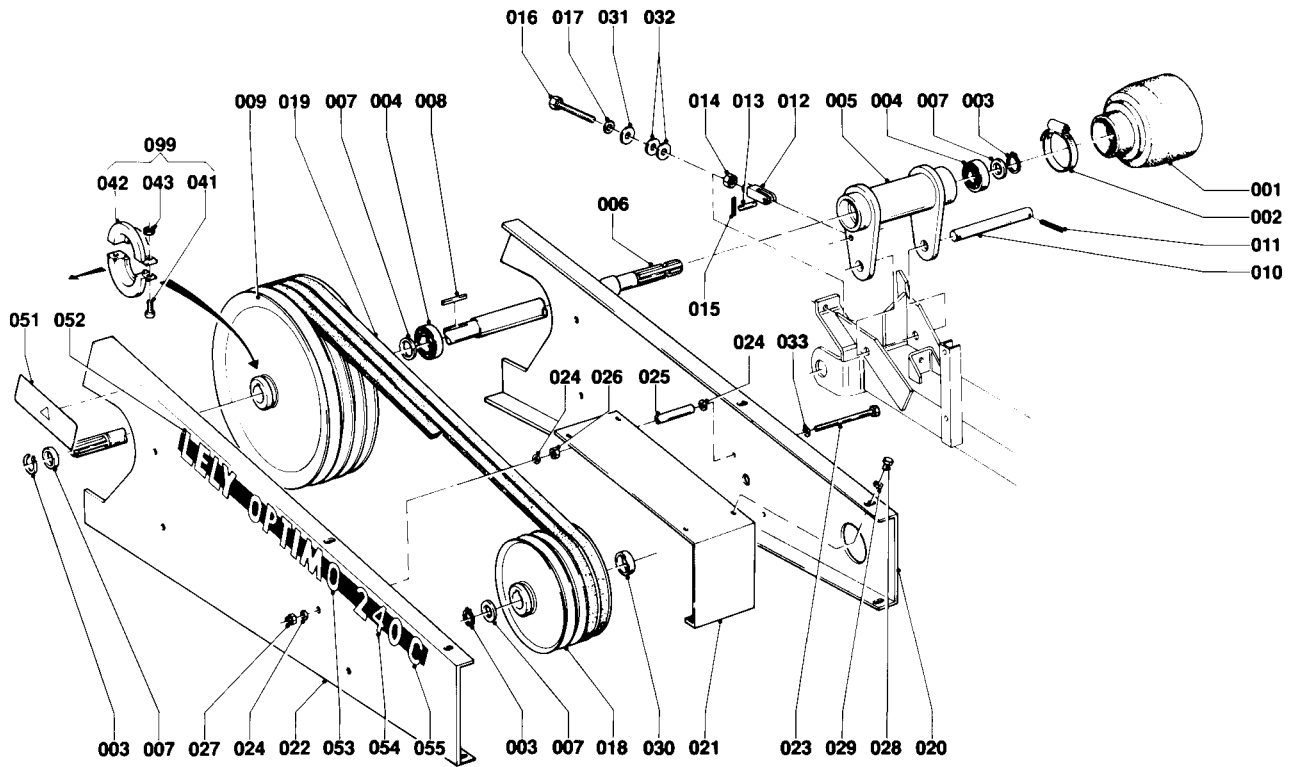
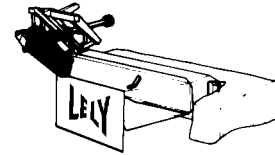
[//////]

[]

[]

LELY

	type nummer type number numéro de type Typnummer	vanaf serienummer as from serial number après numéro de serie ab Seriennummer
OPTIMO 240 C	4.1207.0301.1	983 - 0501



E009-06-00

REF.	ONDERDEELNR. PART NUMBER REFERENCE TEILNUMMER	AANTAL QUANTITY QUANTITE ANZAHL	
------	--	--	--

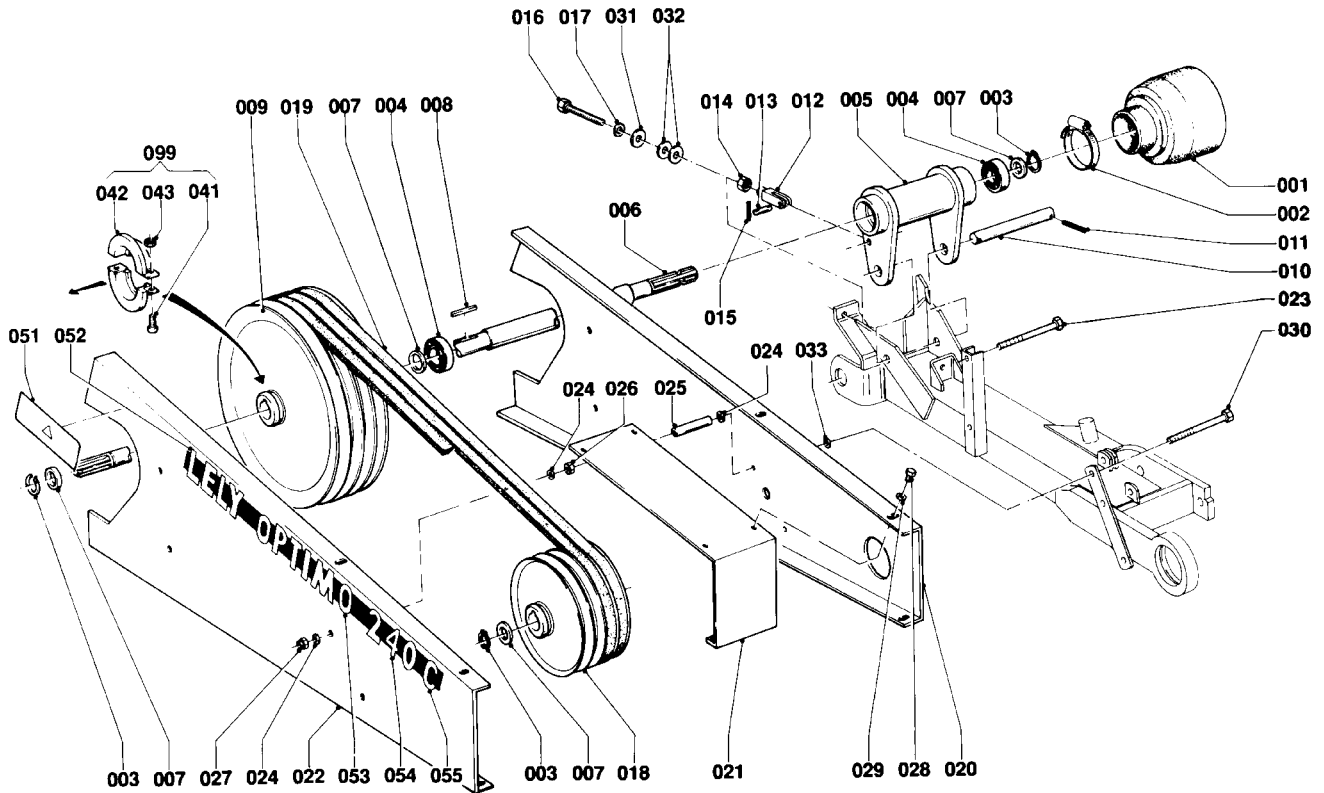
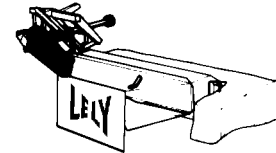
001	9.1161.0014.0	1	
002	9.1066.0010*0	1	Ø70-Ø90
003	9.1119.0019.5	3	35x2,50 DIN 471
004	9.1001.0025.3	2	6207 2RS
005	4.1201.0522.0	1	
006	4.1207.0378.0	1	
007	9.1052.0006*3	4	35x45x2,5 DIN 988
008	9.1071.0037.1	1	A10x8x80 DIN 6885
009	4.1203.0527.0	1	
010	4.1201.1478.0	1	
011	9.1070.0023*2	2	Ø8x50 DIN 1481
012	9.1038.0006*3	1	M12x48 DIN 71752
013	4.1201.1471.0	1	
014	9.1029.0008*0	1	M12 DIN 934-8
015	9.1070.0018*4	2	Ø6x40 DIN 1481
016	9.1113.0273*6	1	M12x90 DIN 933-10.9
017	9.1048.0012*6	1	A13 DIN 125 [—]
018	4.1203.1497.0	1	
019	9.1075.0003.5	4	SPB 2650
020	4.1207.0618.0	1	
021	4.1201.0500.0	1	
022	4.1207.0619.0	1	
023	9.1113.0143*2	4	M10x150 DIN 931-8.8
024	9.1049.0018.4	12	Nylon [—]
025	4.1201.1463.0	4	L= 108 mm

REF.	ONDERDEELNR. PART NUMBER REFERENCE TEILNUMMER	AANTAL QUANTITY QUANTITE ANZAHL	
------	--	--	--

026	9.1029.0005*4	4	M10 DIN 934-8
027	9.1030.0004*2	4	M10 DIN 985-8
028	9.1113.0013*5	6	M8x16 DIN 933-8.8
029	9.1051.0001*6	6	A8,2 DIN 6798 [////]
030	4.1201.1496.0	1	
031	9.1048.0041*0	1	A13 DIN 9021 [—]
032	9.1048.0067.5	2	A13 DIN 9021 Nylon [—]
033	9.1048.0047.6	4	A10,5 DIN 125 Nylon [—]
041	9.1057.0003*2	2	M8x20 DIN 912-8.8
042	4.1201.2310.0	2	
043	9.1029.0004*3	2	M8 DIN 934-8
051	9.1170.0052.1	1	"LET OP DRAAIENDE DELEN"
052	9.1170.0253.6	1	"LELY"
053	9.1170.0255.1	1	"OPTIMO"
054	9.1170.0256.2	1	"-240"
055	9.1170.0262.1	1	"C"
099	4.1201.2300.0	1	= REF. 041-043 Hulpstuk voor pulley-trekker Attachment for pulley puller Access. d' extracteur-poulie Zubehör für Abzieher

LELY

	type nummer type number numéro de type Typnummer	vanaf serienummer as from serial number après numéro de serie ab Seriennummer
OPTIMO 240 C	4.1207.0302.1	1012 - 0501



E009-07-00

REF.	ONDERDEELNR. PART NUMBER REFERENCE TEILNUMMER	AANTAL QUANTITY QUANTITE ANZAHL
------	--	--

001	9.1161.0014.0	1
002	9.1066.0010*0	1
003	9.1119.0019.5	3
004	9.1001.0025.3	2
005	4.1225.0420.0	1
006	4.1207.0378.0	1
007	9.1052.0006*3	4
008	9.1071.0037.1	1
009	4.1203.0527.0	1
010	4.1225.1494.0	1
011	9.1070.0023*2	2
012	9.1038.0006*3	1
013	4.1201.1471.0	1
014	9.1029.0008*0	1
015	9.1070.0018*4	2
016	9.1113.0273*6	1
017	9.1048.0012*6	1
018	4.1219.1499.0	1
019	9.1075.0003.5	4
020	4.1207.0618.0	1
021	4.1229.0170.0	1
022	4.1207.0619.0	1
023	9.1113.0143*2	2
024	9.1049.0018.4	12
025	4.1229.1498.0	4

REF.	ONDERDEELNR. PART NUMBER REFERENCE TEILNUMMER	AANTAL QUANTITY QUANTITE ANZAHL
------	--	--

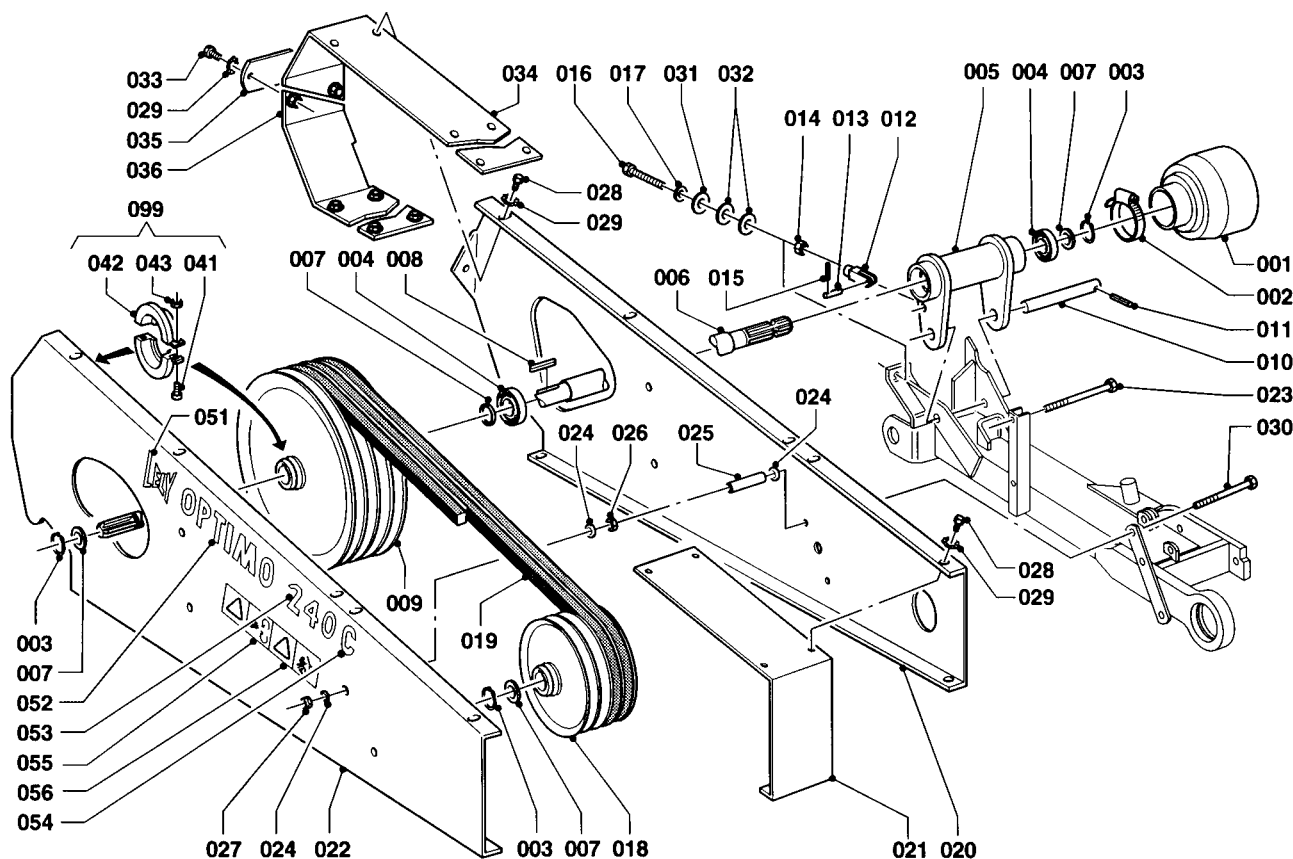
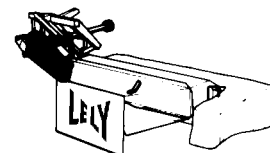
026	9.1029.0005*4	4
027	9.1030.0004*2	4
028	9.1113.0013*5	6
029	9.1051.0001*6	6
030	9.1113.0292*4	2
031	9.1048.0041*0	1
032	9.1048.0067.5	2
033	9.1048.0047.6	4
041	9.1057.0003*2	2
042	4.1201.2310.0	2
043	9.1029.0004*3	2
051	9.1170.0052.1	1
052	9.1170.0253.6	1
053	9.1170.0255.1	1
054	9.1170.0256.2	1
055	9.1170.0262.1	1

099	4.1201.2300.0	1
-----	---------------	---

= REF. 041-043
Hulpstuk voor pulley-trekker
Attachment for pulley puller
Access. d' extracteur-poulie
Zubehör für Abzieher

LELY

	type nummer type number numéro de type Typnummer	vanaf serienummer as from serial number après numéro de serie ab Seriennummer
OPTIMO 240 C	4.1207.0303.1	10111 - 0501



E009-10-00

REF.	ONDERDEELNR. PART NUMBER REFERENCE TEILNUMMER	AANTAL QUANTITY QUANTITE ANZAHL
------	--	--

001	9.1161.0014.0	1
002	9.1066.0010*0	1
003	9.1119.0019.5	3
004	9.1001.0025.3	2
005	4.1225.0420.0	1
006	4.1207.0378.0	1
007	9.1052.0006*3	4
008	9.1071.0037.1	1
009	4.1203.0527.0	1
010	4.1225.1494.0	1
011	9.1070.0023.2	2
012	9.1038.0006*3	1
013	4.1201.1471.0	1
014	9.1029.0008*0	1
015	9.1070.0018.4	2
016	9.1113.0273*6	1
017	9.1048.0012*6	1
018	4.1219.1499.0	1
019	9.1075.0003.5	4
020	4.1207.0623.0	1
021	4.1229.0170.0	1
022	4.1207.0622.0	1
023	9.1113.0143*2	2
024	9.1049.0018.4	12
025	4.1229.1498.0	4

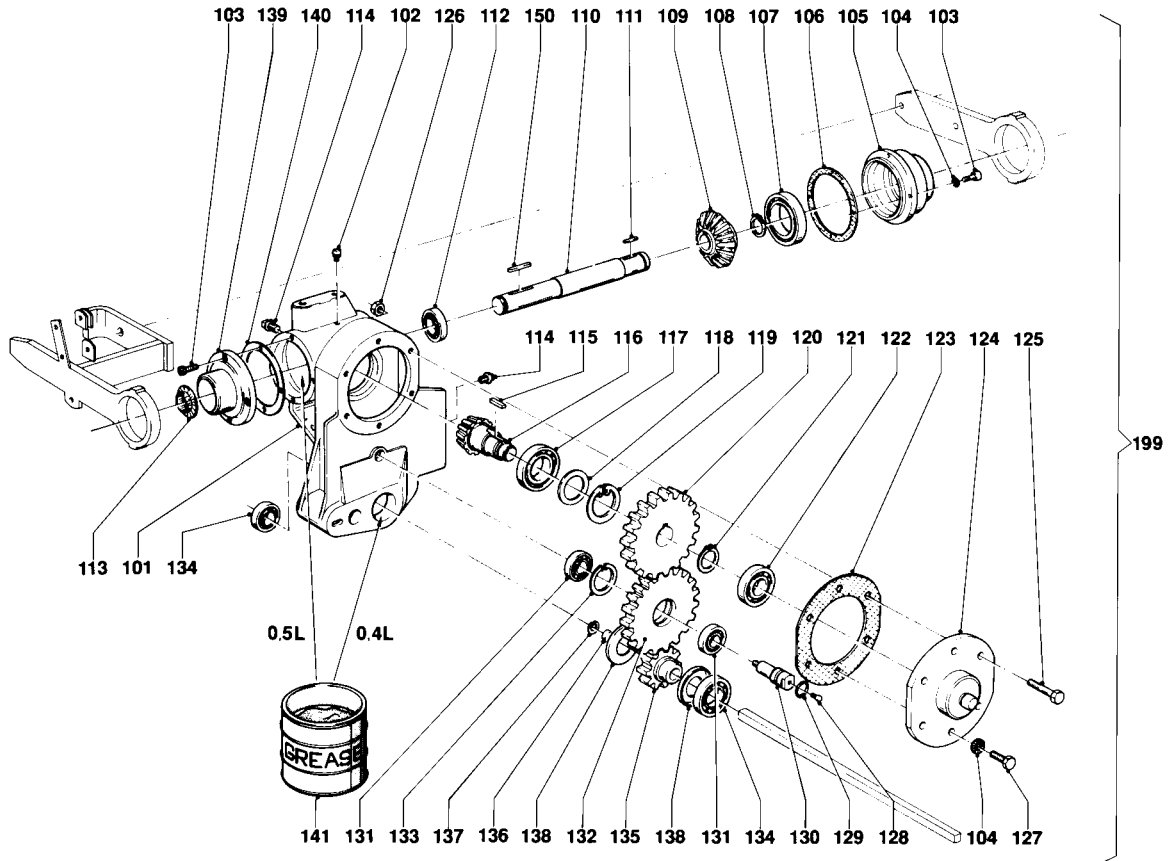
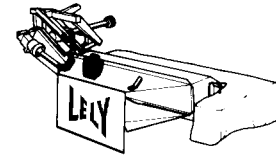
REF.	ONDERDEELNR. PART NUMBER REFERENCE TEILNUMMER	AANTAL QUANTITY QUANTITE ANZAHL
------	--	--

026	9.1029.0005*4	4
027	9.1030.0004*2	4
028	9.1113.0013*5	20
029	9.1051.0001*6	20
030	9.1113.0292*4	2
031	9.1048.0041*0	1
032	9.1048.0067.5	2
034	4.1207.0660.0	1
035	4.1207.0624.0	1
036	4.1207.0651.0	1
041	9.1057.0003.2	2
042	4.1201.2310.0	2
043	9.1029.0004*3	2
051	9.1170.0200.2	1
052	9.1170.0371.5	1
053	9.1170.0348.3	1
054	9.1170.0373.0	1
055	9.1170.0052.1	1
099	4.1201.2300.0	1

= REF. 041-043
Hulpstuk voor pulley-trekker
Attachment for pulley puller
Access. d' extracteur-poulie
Zubehör für Abzieher



	type number type number numéro de type Typnummer	vanaf serienummer as from serial number après numéro de serie ab Seriennummer
OPTIMO 240 C	4.1207.0300.2	957 - 0571



E002-07-00

REF.	ONDERDEELNR. PART NUMBER REFERENCE TEILNUMMER	AANTAL QUANTITY QUANTITE ANZAHL
------	--	--

101	4.1201.0301.0	1
102	4.1201.1472.0	1
103	9.1057.0010.2	8
104	9.1051.0002.0	7
105	4.1201.0303.0	1
106	4.1201.0311.0	1
107	9.1001.0067.3	1
108	9.1119.0019.5	1
109	4.1201.0314.0	1
110	4.1201.0304.0	1
111	9.1071.0021.6	1
112	9.1001.0087.2	1
113	9.1106.0009.1	1
114	9.1131.0001.3	2
115	9.1071.0039.3	1
116	4.1201.0321.0	1
117	9.1001.0059.2	1
118	4.1201.0310.0	1
119	9.1120.0014.6	1
120	4.1201.0320.0	1
121	9.1119.0020.6	1
122	9.1001.0019.4	1
123	4.1201.0325.0	1
124	4.1201.0290.0	1
	9.1150.0008.5	-

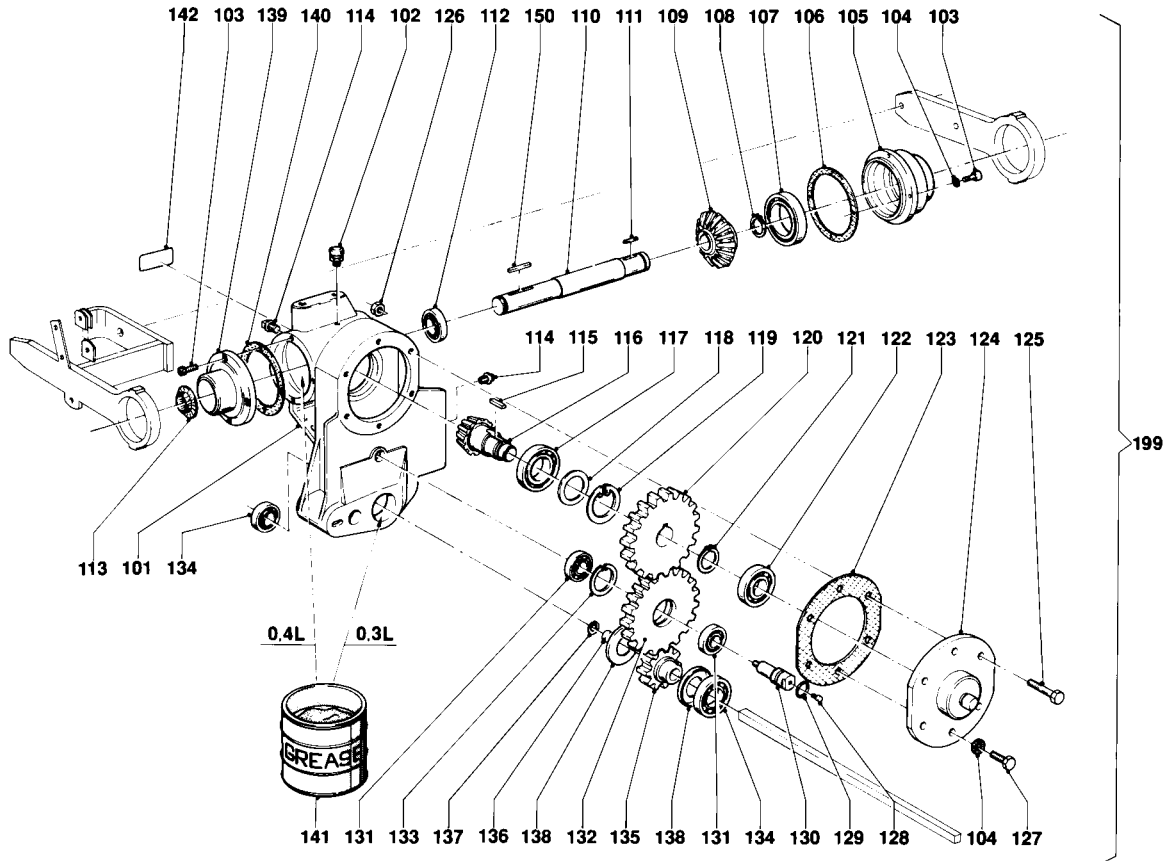
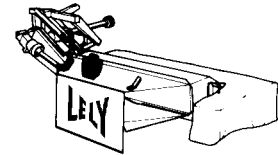
REF.	ONDERDEELNR. PART NUMBER REFERENCE TEILNUMMER	AANTAL QUANTITY QUANTITE ANZAHL
------	--	--

125	9.1113.0156*1	1
126	9.1030.0004*2	1
127	9.1113.0027.5	3
128	9.1108.0034.3	1
129	9.1043.0013.5	1
130	4.1201.0306.0	1
131	9.1001.0090.5	2
132	4.1201.0307.0	1
133	9.1120.0002.1	1
134	9.1001.0068.4	2
135	4.1201.0317.0	1
136	4.1201.0329.0	1
137	9.1120.0028.6	1
138	9.1107.0009.0	2
139	4.1201.0302.0	1
140	4.1201.0328.0	1
141	9.1171.0007.4	0,9L
	9.1171.0034.3	-
150	9.1071.0033.4	1
199	4.1201.0280.0	1

M10x85 DIN 931-8.8
M10 DIN 985-8
M10x20 DIN 933-8.8
R1/8"
OR 22x1,5
M12-L
6204-C3
42x1,75 DIN 472
6205 2RS-2-C4
18x1,00 DIN 472
6205 ZAV
ESSO Fibrax EP370
15 kg ESSO Fibrax EP370
A10x8x70 DIN 6885
= REF. 101-141

LELY

	type number type number numéro de type Typnummer	vanaf serienummer as from serial number après numéro de serie ab Seriennummer
OPTIMO 240 C	4.1207.0300.2	968 - 0668
OPTIMO 240 C	4.1207.0301.1	983 - 0501



E002-08-01

REF.	ONDERDEELNR. PART NUMBER REFERENCE TEILNUMMER	AANTAL QUANTITY QUANTITE ANZAHL
------	--	--

101	4.1201.0301.0	1
102	4.1201.1472.0	1
103	9.1057.0010.2	8
104	9.1051.0002.0	7
105	4.1201.0303.0	1
106	4.1201.0311.0	1
107	9.1001.0067.3	1
108	9.1119.0019.5	1
109	4.1201.0314.0	1
110	4.1201.0304.0	1
111	9.1071.0021.6	1
112	9.1001.0087.2	1
113	9.1106.0009.1	1
114	9.1131.0001.3	2
115	9.1071.0039.3	1
116	4.1201.0321.0	1
117	9.1001.0059.2	1
118	4.1201.0310.0	1
119	9.1120.0014.6	1
120	4.1201.0320.0	1
121	9.1119.0020.6	1
122	9.1001.0019.4	1
123	4.1201.0325.0	1
124	4.1201.0290.0	1
	9.1150.0008.5	-

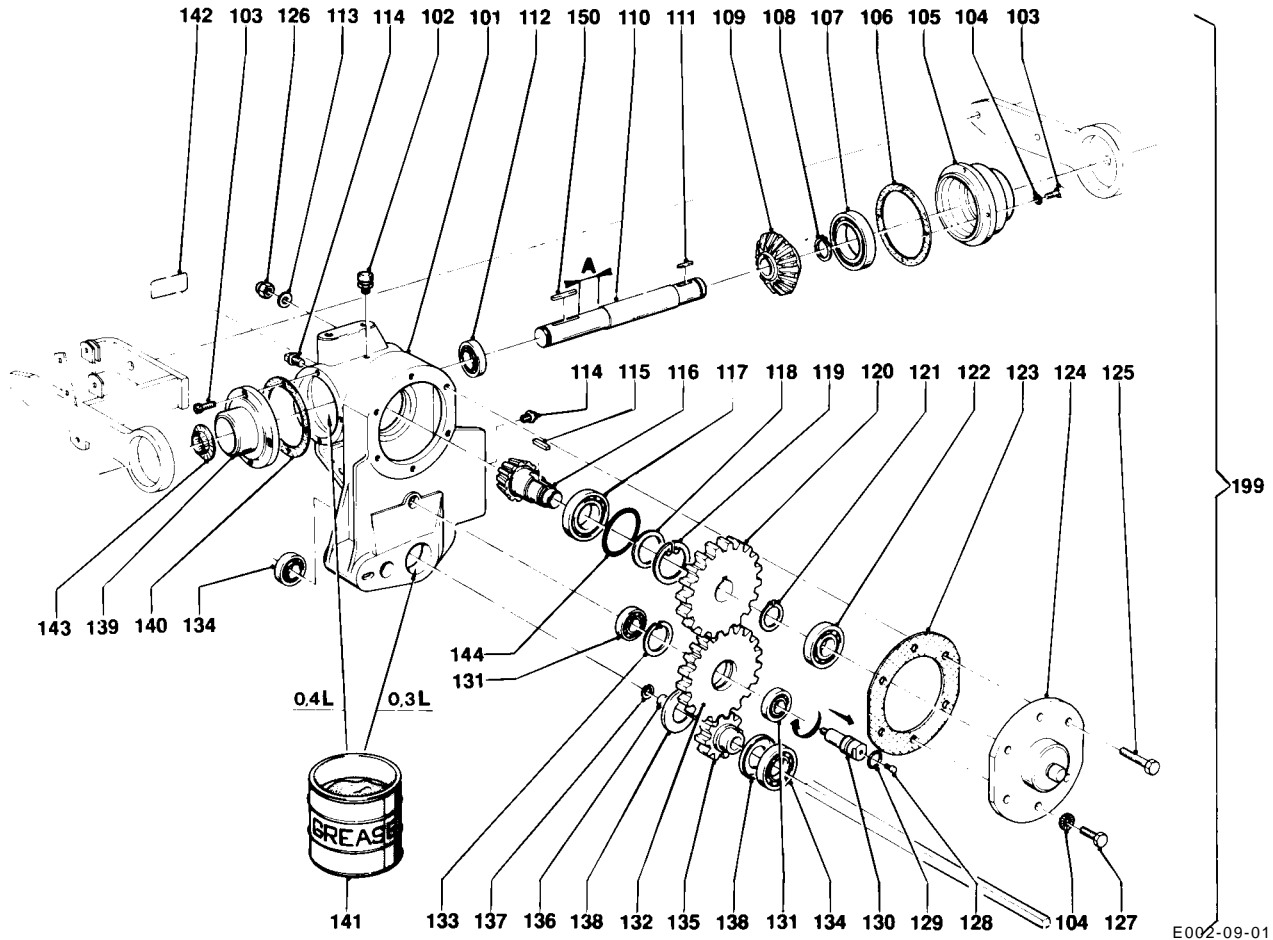
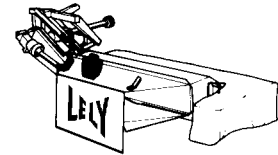
REF.	ONDERDEELNR. PART NUMBER REFERENCE TEILNUMMER	AANTAL QUANTITY QUANTITE ANZAHL
------	--	--

125	9.1113.0156*1	1
126	9.1030.0004*2	1
127	9.1113.0027.5	3
128	9.1108.0034.3	1
129	9.1043.0013.5	1
130	4.1201.0306.0	1
131	9.1001.0090.5	2
132	4.1201.0307.0	1
133	9.1120.0002.1	1
134	9.1001.0068.4	2
135	4.1201.0317.0	1
136	4.1201.0329.0	1
137	9.1120.0028.6	1
138	9.1107.0009.0	2
139	4.1201.0302.0	1
140	4.1201.0328.0	1
141	9.1171.0039.1	(0,7L)
	9.1171.0040.2	(0,7L)
	9.1171.0041.3	(0,7L)
	9.1171.0031.0	(0,7L)
	9.1171.0030.6	(0,7L)
	9.1171.0029.5	(0,7L)
142	9.1170.0303.0	1
	9.1170.0264.3	1
150	9.1071.0033.4	1
199	4.1201.0280.0	1

M10x85 DIN 931-10.9
M10 DIN 985-8
M10x20 DIN 933-8.8
R1/8"
OR 22x1,5
M12-L
6204-C3
42x1,75 DIN 472
6205 2RS-2-C4(VITON);HT-22B
18x1,00 DIN 472
6205 ZAV
1 kg CALITHIA EP-T-0 SHELL
5 kg CALITHIA EP-T-0 SHELL
10 kg CALITHIA EP-T-0 SHELL
1 kg EHL 484 XC ESSO
5 kg EHL 484 XC ESSO
10 kg EHL 484 XC ESSO
"CALITHIA EP-T-0 SHELL"
"EHL 484 XC ESSO"
A10x8x70 DIN 6885
= REF. 101-142



	type nummer type number numéro de type Typnummer	vanaf serienummer as from serial number après numéro de serie ab Seriennummer
OPTIMO 240 C	4.1207.0301.1	1002 - 0501



REF.	ONDERDEELNR. PART NUMBER REFERENCE TEILNUMMER	AANTAL QUANTITY QUANTITE ANZAHL
------	--	--

101	4.1201.0301.0	1
102	4.1201.1472.0	1
103	9.1057.0010.2	8
104	9.1051.0002*0	7
105	4.1201.0303.0	1
106	4.1201.0311.0	1
107	9.1001.0067.3	1
108	9.1119.0019.5	1
109	4.1201.0314.0	1
110	4.1201.0304.0	1
111	9.1071.0021.6	1
112	9.1001.0087.2	1
113	9.1048.0007*1	~
114	9.1131.0001.3	2
115	9.1071.0039.3	1
116	4.1201.0321.0	1
117	9.1001.0059.2	1
118	4.1201.0310.0	1
119	9.1120.0014.6	1
120	4.1201.0320.0	1
121	9.1119.0020.6	1
122	9.1001.0019.4	1
123	4.1201.0325.0	1
124	4.1201.0290.0	1
	9.1150.0008.5	-
125	9.1113.0156*1	1

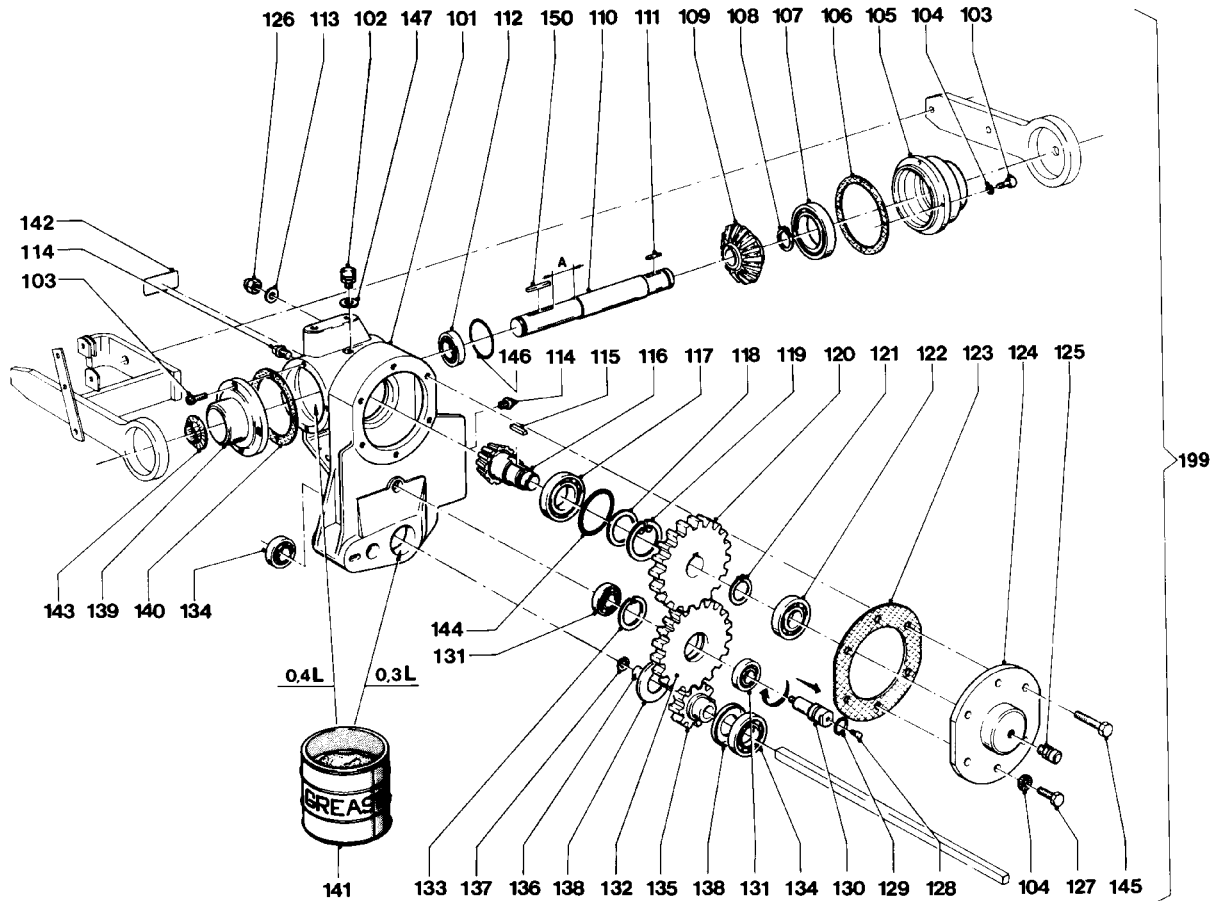
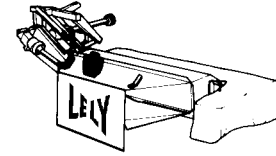
REF.	ONDERDEELNR. PART NUMBER REFERENCE TEILNUMMER	AANTAL QUANTITY QUANTITE ANZAHL
------	--	--

126	9.1030.0004*2	1
127	9.1113.0027.5	3
128	9.1108.0034.3	1
129	9.1043.0013.5	1
130	4.1201.0306.0	1
131	9.1001.0090.5	2
132	4.1201.0307.0	1
133	9.1120.0002.1	1
134	9.1001.0119.6	2
135	4.1201.0317.0	1
136	4.1201.0329.0	1
137	9.1120.0028.6	1
138	9.1107.0009.0	2
139	4.1201.0302.0	1
140	4.1201.0328.0	1
141	9.1171.0039.1	(0,7L)
	9.1171.0040.2	(0,7L)
	9.1171.0041.3	(0,7L)
	9.1171.0031.0	(0,7L)
142	9.1170.0303.0	1
143	9.1106.0009.1	1
144	9.1043.0048.5	1
150	9.1071.0033.4	1
199	4.1201.0280.0	1

M10 DIN 985-8
M10x20 DIN 933-8.8
R1/8"
OR 22x1,5
M12-L
6204 C3
42x1,75 DIN 472
6205 2RS-2-C5(VITON);HT-22B
18x1,00 DIN 472
6205 ZAV
1 kg CALITHIA EP-T-0 SHELL
5 kg CALITHIA EP-T-0 SHELL
10 kg CALITHIA EP-T-0 SHELL
1 kg EHL 484 XC ESSO
"CALITHIA EP-T-0 SHELL"
Z207
OR 89,5x3
A10x8x70 DIN 6885
= REF. 101-144

LELY

	type number type number numéro de type Typnummer	vanaf serienummer as from serial number après numéro de serie ab Serienummer
OPTIMO 240 C	4.1207.0302.1	1012 - 0501
OPTIMO 240 C	4.1207.0303.1	10111 - 0501



E002-11-00

REF.	ONDERDEELNR. PART NUMBER REFERENCE TEILNUMMER	AANTAL QUANTITY QUANTITE ANZAHL	
------	--	--	--

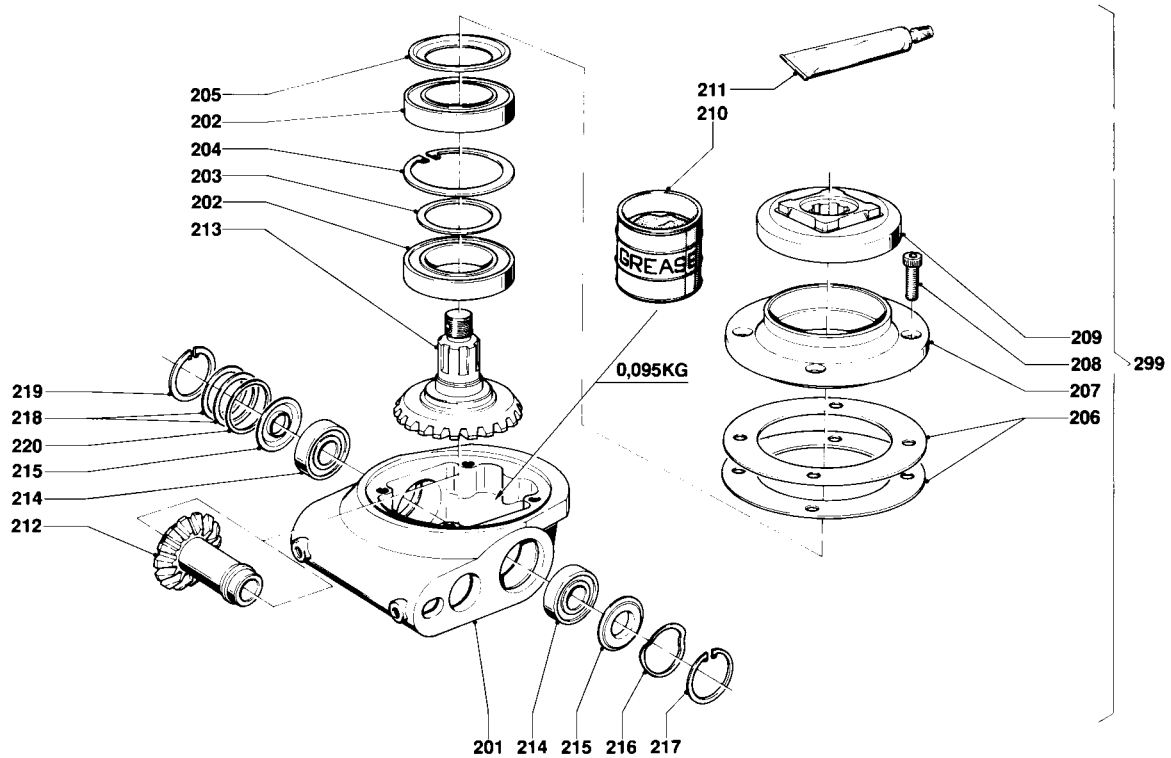
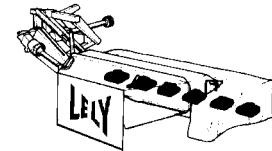
101	4.1201.0301.0	1	
102	9.1150.0013.3	1	R1/4"
103	9.1057.0010.2	8	M10x25 DIN 912-12.9
104	9.1051.0002*0	7	A10,5 DIN 6798 [//////]
105	4.1201.0303.0	1	
106	4.1201.0311.0	(1)	[D+D]
107	9.1001.0067.3	1	16016
108	9.1119.0019.5	1	35x2,50 DIN 471
109	4.1201.0314.0	1	
110	4.1201.0298.0	1	A= 32,5 mm
111	9.1071.0021.6	1	A10x8x63 DIN 6885
112	9.1001.0087.2	1	6207 2RS-1-C3
113	9.1048.0007*1	-	A10,5 DIN 125 [—]
114	9.1131.0001.3	2	R1/2"
115	9.1071.0039.3	1	B12x8x25 DIN 6885
116	4.1201.0321.0	1	
117	9.1001.0059.2	1	6210 2RS 1
118	4.1201.0310.0	(1)	[D+D]
119	9.1120.0014.6	1	90x3,00 DIN 472
120	4.1201.0320.0	1	
121	9.1119.0020.6	1	42x1,75 DIN 471
122	9.1001.0019.4	1	6206
123	4.1201.0325.0	1	
124	4.1201.0312.0	1	
125	9.1150.0008.5	1	G1/4" SLW 17
126	9.1030.0004*2	1	M10 DIN 985-8
127	9.1113.0027*5	3	M10x20 DIN 933-8.8

REF.	ONDERDEELNR. PART NUMBER REFERENCE TEILNUMMER	AANTAL QUANTITY QUANTITE ANZAHL	
------	--	--	--

128	9.1108.0034.3	1	R1/8"
129	9.1043.0013.5	1	OR 22x1,5
130	4.1201.0306.0	1	M12-L
131	9.1001.0090.5	2	6204 C3
132	4.1201.0307.0	1	
133	9.1120.0002.1	1	42x1,75 DIN 472
134	9.1001.0119.6	2	6205 2RS-2-C5(VITON);HT-22B
135	4.1201.0317.0	1	
136	4.1201.0329.0	1	
137	9.1120.0028.6	1	18x1,00 DIN 472
138	9.1107.0009.0	2	6205 ZAV
139	4.1201.0299.0	1	
140	4.1201.0328.0	1	
141	9.1171.0039.1	(0,7L)	1 kg CALITHIA EP-T-0 SHELL
	9.1171.0040.2	(0,7L)	5 kg CALITHIA EP-T-0 SHELL
	9.1171.0041.3	(0,7L)	10 kg CALITHIA EP-T-0 SHELL
142	9.1170.0303.0	1	"CALITHIA EP-T-0 SHELL"
143	9.1106.0009.1	1	Z207
144	9.1043.0048.5	1	OR 89,5x3
145	9.1113.0156*1	1	M10x85 DIN 931-10.9
146	9.1043.0050.0	1	OR 72x2
147	9.1137.0401.5	1	Ø14x20x1,5 Cu [—]
150	9.1071.0033.4	1	A10x8x70 DIN 6885
199	4.1201.0280.0	1	= REF. 101-147



	type nummer type number numéro de type Typnummer	vanaf serienummer as from serial number après numéro de serie ab Seriennummer
OPTIMO 240 C	4.1207.0300.2	932 - 0501



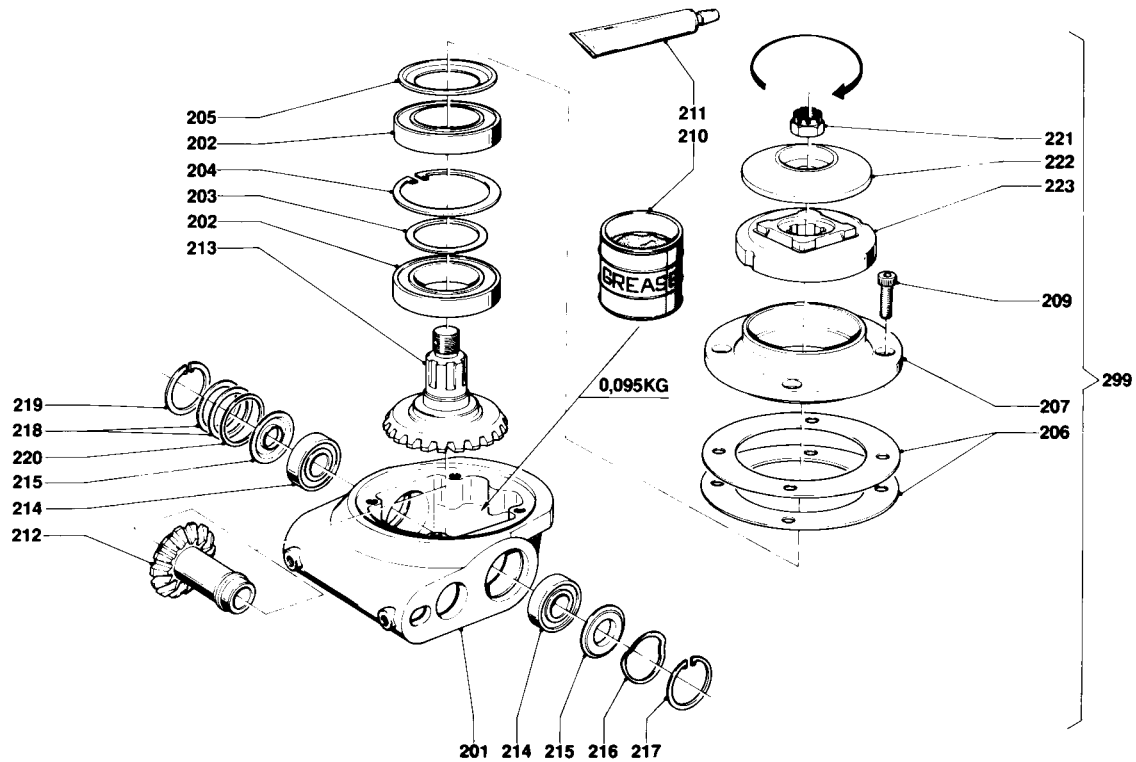
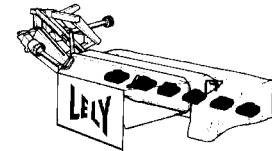
E008-02-00

REF.	ONDERDEELNR. PART NUMBER REFERENCE TEILNUMMER	AANTAL QUANTITY QUANTITE ANZAHL	
201	4.1201.0068.0	1	
202	9.1001.0065.1	2	6009-2RS-1-C4
203	9.1052.0004.1	1	S45x55x3 DIN 988
204	9.1120.0026.4	1	75x3,00 DIN 472
205	9.1107.0008.6	1	6009-ZAV
206	4.1290.2001.0	1	[D+D]
207	4.1201.0067.0	1	
208	9.1057.0003.2	4	M8x20 DIN 912-8.8
209	4.1201.0062.0	1	
210	9.1171.0007.4	0,095 kg	ESSO Fibrax EP370
	9.1171.0034.3	-	15 kg ESSO Fibrax EP370
211	9.1171.0020.3	1	0,095 kg ESSO Fibrax EP370
212	4.1201.0069.0	1	
213	4.1201.0063.0	1	
214	9.1001.0064.0	2	6005-2RS-1-C4
215	9.1107.0007.5	2	6005-ZJV
216	9.1049.0013.6	1	46,5x40-G 6005
217	9.1120.0027.5	1	47x1,75 V
218	9.1093.0065.0	2	37x47x0,3 DIN 988
219	9.1120.0002.1	1	47x1,75 DIN 472
220	4.1201.0061.0	1	

REF.	ONDERDEELNR. PART NUMBER REFERENCE TEILNUMMER	AANTAL QUANTITY QUANTITE ANZAHL	
298	4.1201.0030.0	3	= REF. 201-220 [LD][x]
299	4.1201.0070.0	3	= REF. 201-220 [RD]



	type nummer type number numéro de type Typnummer	vanaf serienummer as from serial number après numéro de serie ab Seriennummer
OPTIMO 240 C	4.1207.0300.2	968 - 0668



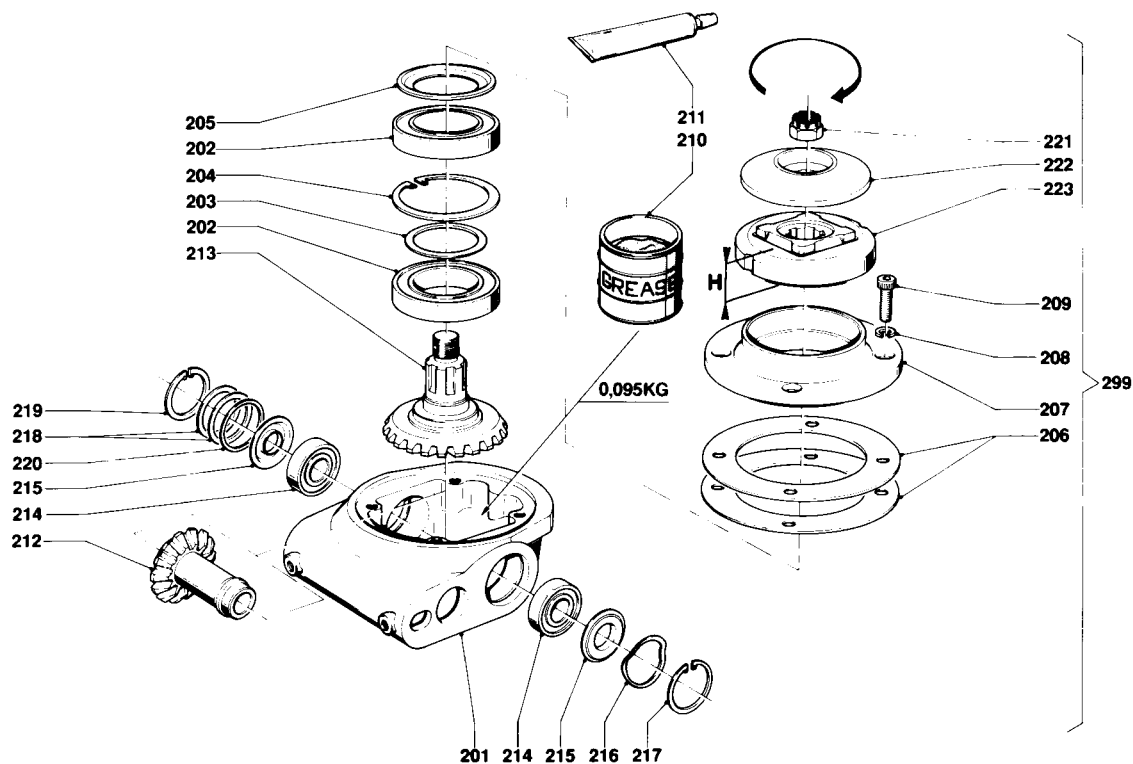
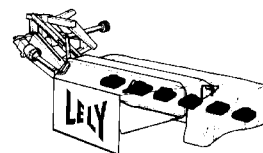
E008-04-01

REF.	ONDERDEELNR. PART NUMBER REFERENCE TEILNUMMER	AANTAL QUANTITY QUANTITE ANZAHL	
201	4.1201.0068.0	1	
202	9.1001.0065.1	2	6009-2RS-1-C4
203	9.1052.0004.1	1	S45x55x3 DIN 988
204	9.1120.0026.4	1	75x3,00 DIN 472
205	9.1107.0008.6	1	6009-ZAV
206	4.1290.2001.0	1	[D+D]
207	4.1201.0067.0	1	
209	9.1057.0003.2	4	M8x20 DIN 912-8.8
210	9.1171.0039.1	(0,095 kg)	1 kg CALITHIA EP-T-0 SHELL
	9.1171.0040.2	(0,095 kg)	5 kg CALITHIA EP-T-0 SHELL
	9.1171.0041.3	(0,095 kg)	10 kg CALITHIA EP-T-0 SHELL
	9.1171.0031.0	(0,095 kg)	1 kg EHL 484 XC ESSO
	9.1171.0030.6	(0,095 kg)	5 kg EHL 484 XC ESSO
	9.1171.0029.5	(0,095 kg)	10 kg EHL 484 XC ESSO
211 SHELL	9.1171.0038.0	1	0,095 kg CALITHIA EP-T-0
	9.1171.0032.1	1	0,095 kg EHL 484 XC ESSO
212	4.1201.0069.0	1	
213	4.1201.0063.0	1	
214	9.1001.0064.0	2	6005-2RS-1-C4
215	9.1107.0007.5	2	6005-ZJV
216	9.1049.0013.6	1	46,5x40-G 6005

REF.	ONDERDEELNR. PART NUMBER REFERENCE TEILNUMMER	AANTAL QUANTITY QUANTITE ANZAHL	
217	9.1120.0027.5	1	47x1,75 V
218	9.1093.0065.0	2	37x47x0,3 DIN 988
219	9.1120.0002.1	1	47x1,75 DIN 472
220	4.1201.0061.0	1	
221	9.1031.0013.3	1	M18x1,5 DIN 937-22H
222	4.1201.1467.0	1	
223	4.1201.0062.0	1	
298	4.1201.0030.0	3	= REF. 201-223 [LD][x]
299	4.1201.0070.0	3	= REF. 201-223 [RD]



	type nummer type number numéro de type Typnummer	vanaf serienummer as from serial number après numéro de serie ab Seriennummer
OPTIMO 240 C	4.1207.0301.1	983 - 0501



E008-04-02

REF.	ONDERDEELNR. PART NUMBER REFERENCE TEILNUMMER	AANTAL QUANTITY QUANTITE ANZAHL
------	--	--

201	4.1201.0068.0	1
202	9.1001.0065.1	2
203	9.1052.0004.1	1
204	9.1120.0026.4	1
205	9.1107.0008.6	1

206	4.1290.2001.0	1	[D+D]
207	4.1201.0067.0	1	
208	9.1121.0024*1	4	8 DIN 7980 [—/—]
209	9.1057.0003.2	4	M8x20 DIN 912-8.8

210	9.1171.0039.1	(0,095 kg)	1 kg CALITHIA EP-T-0 SHELL
	9.1171.0040.2	(0,095 kg)	5 kg CALITHIA EP-T-0 SHELL
	9.1171.0041.3	(0,095 kg)	10 kg CALITHIA EP-T-0 SHELL

	9.1171.0031.0	(0,095 kg)	1 kg EHL 484 XC ESSO
	9.1171.0030.6	(0,095 kg)	5 kg EHL 484 XC ESSO
	9.1171.0029.5	(0,095 kg)	10 kg EHL 484 XC ESSO

211	9.1171.0038.0	1	0,095 kg CALITHIA EP-T-0 SHELL
	9.1171.0032.1	1	0,095 kg EHL 484 XC ESSO

212	4.1201.0069.0	1	
213	4.1201.0063.0	1	
214	9.1001.0064.0	2	6005-2RS-1-C4
215	9.1107.0007.5	2	6005-ZJV
216	9.1049.0013.6	1	46,5x40-G 6005

REF.	ONDERDEELNR. PART NUMBER REFERENCE TEILNUMMER	AANTAL QUANTITY QUANTITE ANZAHL
------	--	--

217	9.1120.0027.5	1	47x1,75 V
218	9.1093.0065.0	2	37x47x0,3 DIN 988
219	9.1120.0002.1	1	47x1,75 DIN 472
220	4.1201.0061.0	1	
221	9.1031.0013.3	1	M18x1,5 DIN 937-22H

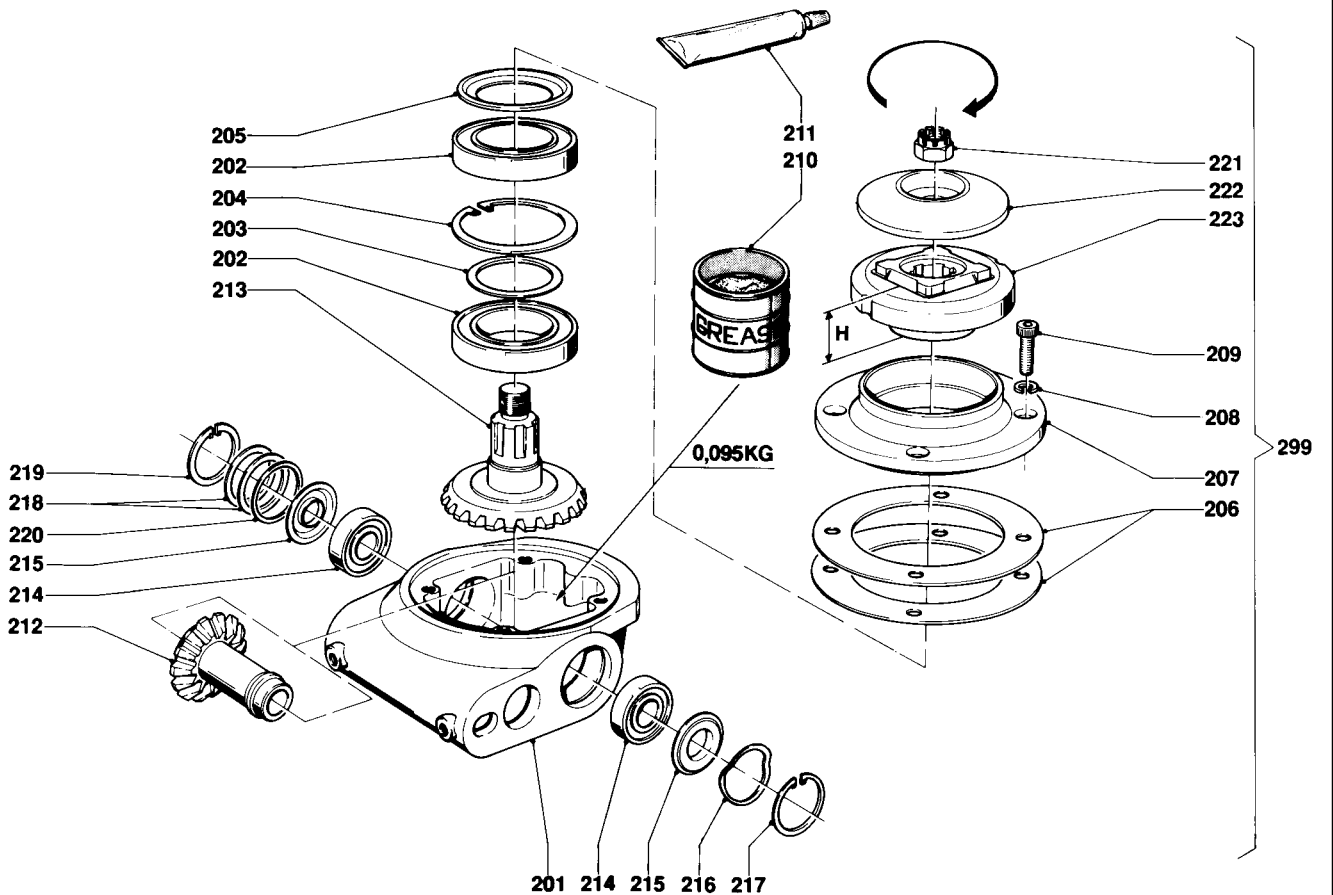
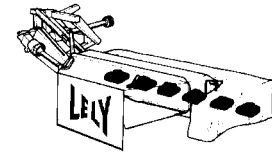
222	4.1201.1467.0	1	
223	4.1201.0062.0	1	H= 38 mm

298	4.1201.0030.0	3	= REF. 201-223 [LD][x]
-----	---------------	---	------------------------

299	4.1201.0070.0	3	= REF. 201-223 [RD]
-----	---------------	---	---------------------



	type number type number numéro de type Typnummer	vanaf serienummer as from serial number après numéro de serie ab Serienummer
OPTIMO 240 C	4.1207.0302.1	1012 - 0501
OPTIMO 240 C	4.1207.0303.1	10111 - 0501



E008-05-01

REF.	ONDERDEELNR. PART NUMBER REFERENCE TEILNUMMER	AANTAL QUANTITY QUANTITE ANZAHL
------	--	--

201	4.1201.0068.0	1
202	9.1001.0065.1	2
203	9.1052.0004.1	1
204	9.1120.0026.4	1
205	9.1107.0008.6	1
206	4.1290.2001.0	(1)
207	4.1201.0067.0	1
208	9.1121.0024*1	4
209	9.1057.0003.2	4
210	9.1171.0039.1	(0,095 kg)
	9.1171.0040.2	(0,095 kg)
	9.1171.0041.3	(0,095 kg)
	9.1171.0031.0	(0,095 kg)
	9.1171.0030.6	(0,095 kg)
	9.1171.0029.5	(0,095 kg)
211 SHELL	9.1171.0038.0	1
	9.1171.0032.1	(1)
212	4.1201.0069.0	1
213	4.1220.0057.0	1
214	9.1001.0064.0	2
215	9.1107.0007.5	2
216	9.1049.0013.6	1

REF.	ONDERDEELNR. PART NUMBER REFERENCE TEILNUMMER	AANTAL QUANTITY QUANTITE ANZAHL
------	--	--

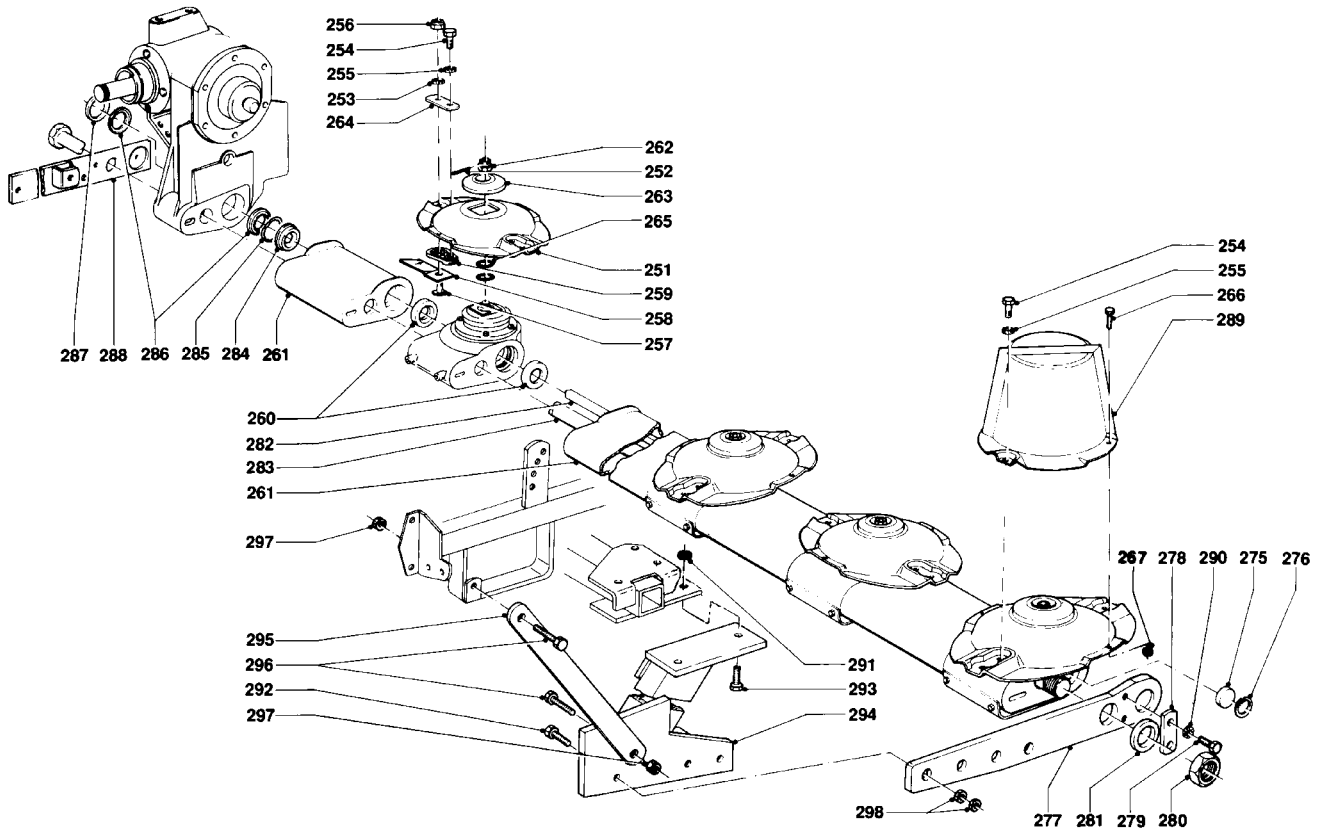
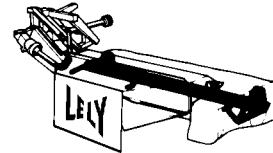
217	9.1120.0027.5	1
218	9.1093.0065.0	2
219	9.1120.0002.1	1
220	4.1201.0061.0	1
221	9.1031.0013.3	1
222	4.1201.1467.0	1
223	4.1225.0189.0	1
298	4.1201.0030.0	3
299	4.1201.0070.0	3

[LD][x]

[RD]

LELY

	type number type number numéro de type Typnummer	vanaf serienummer as from serial number après numéro de serie ab Seriennummer
OPTIMO 240 C	4.1207.0300.1	949 - 0501
OPTIMO 240 C	4.1207.0300.2	960 - 0501



E025-04-10

REF.	ONDERDEELNR. PART NUMBER REFERENCE TEILNUMMER	AANTAL QUANTITY QUANTITE ANZAHL	
------	--	--	--

251	4.1201.1469.0	6	
252	9.1072.0017.1	6	3x30 DIN 94
253	9.1051.0002*0	12	A10,5 DIN 6798 [//////]
254	9.1113.0014*6	12	M8x20 DIN 933-8.8
255	9.1051.0001*6	12	A8,4 DIN 6798 [//////]
256	9.1030.0018*2	12	M10 DIN 985-10
257	4.1201.0141*0	12	
258	4.1201.1474.0	6	[RD]
	4.1201.1473.0	6	[LD][x]
259	4.1201.0142.0	12	
260	4.1201.0145.0	11	
261	4.1201.0143.0	6	
262	9.1031.0010.0	6	M18x1,5 DIN 937-17H
263	4.1201.1467.0	6	
264	4.1201.1468.0	12	
265	9.1043.0020.5	12	OR 16x3
266	9.1113.0013*5	4	M8x16 DIN 933-8.8
267	9.1030.0012*3	2	M8 DIN 985-8
275	4.1201.0329.0	1	
276	9.1120.0028.6	1	18x1,00 DIN 472
277	4.1207.0330.0	1	
278	4.1201.0135.0	1	
279	9.1113.0026*4	2	M10x16 DIN 933-8.8

REF.	ONDERDEELNR. PART NUMBER REFERENCE TEILNUMMER	AANTAL QUANTITY QUANTITE ANZAHL	
------	--	--	--

280	9.1029.0024*2	1	M30x1,5 DIN 934-8
281	9.1052.0011.1	1	S30x42x2,5 DIN 988
282	4.1203.0149.0	1	
283	4.1203.0401.0	1	
284	4.1201.0146.0	1	
285	9.1049.0012.5	1	51x42 G-6205
286	9.1107.0006.4	2	6205 ZJV
287	4.1207.0359.0	1	
288	4.1207.0341.0	1	
289	4.1201.0391.0	2	
290	9.1051.0002*0	2	A10,5 DIN 6798 [//////]
291	9.1030.0015*6	2	M14 DIN 985-8
292	9.1113.0246.0	4	M14x55 DIN 931-8.8
293	9.1113.0142*1	2	M14x40 DIN 933-8.8
294	4.1207.0531.0	1	
295	4.1207.0181.0	1	L= 350 mm (Ø-Ø)
296	9.1113.0125*5	2	M12x35 DIN 933-8.8
297	9.1030.0013*4	2	M12 DIN 985-8
298	9.1029.0012*4	8	M14 DIN 934-8

LELY

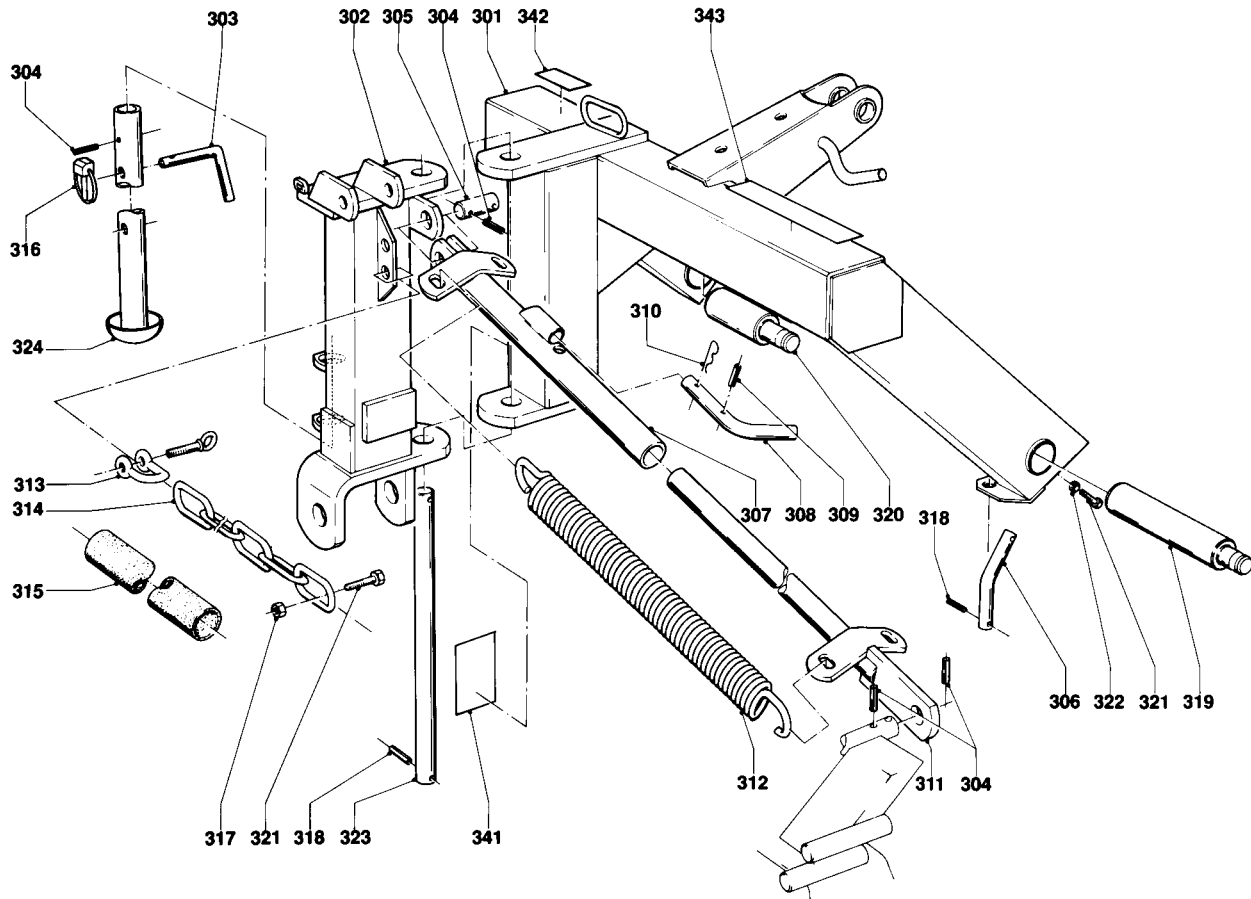
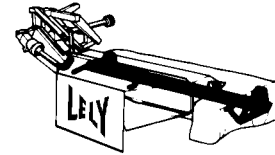
OPTIMO 240 C

 type number
 type number
 numéro de type
 Typnummer

4.1207.0301.1

 vanaf serienummer
 as from serial number
 après numéro de serie
 ab Seriennummer

983 - 0501



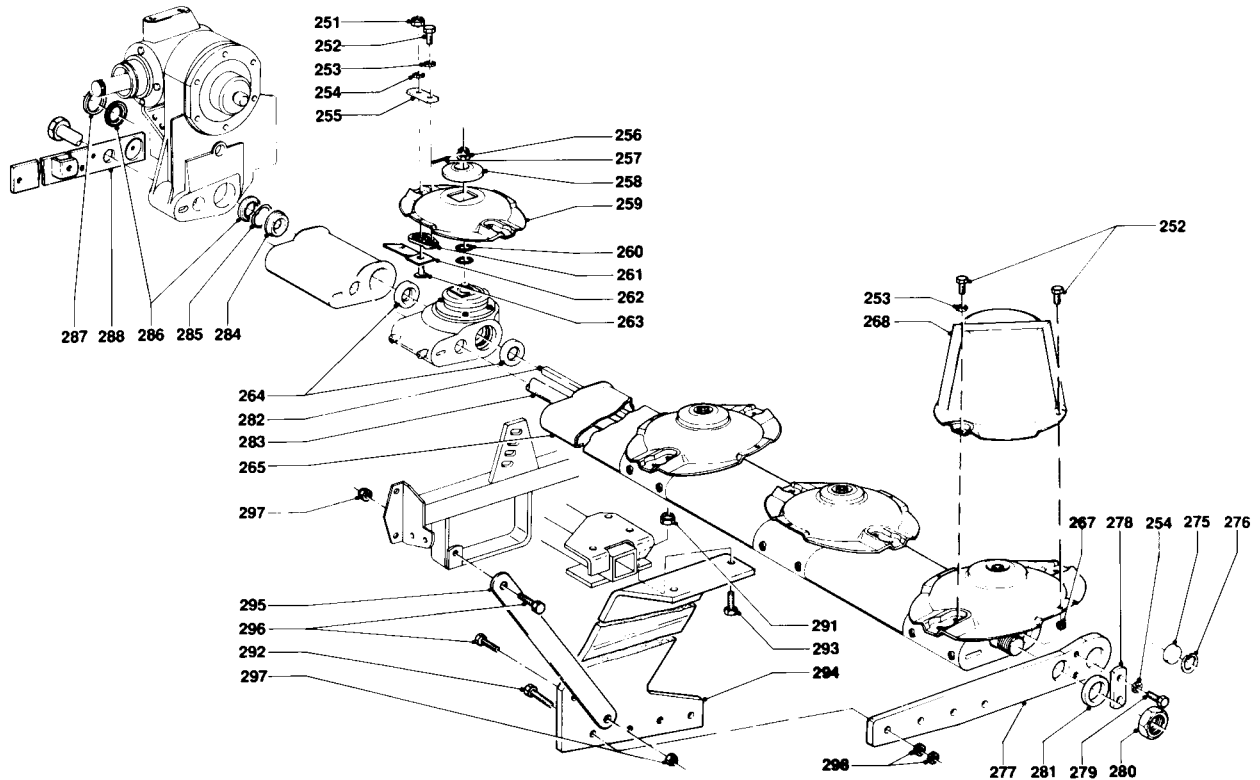
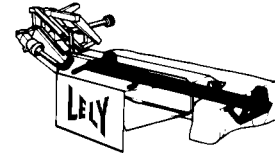
E025-07-00

REF.	ONDERDEELNR. PART NUMBER REFERENCE TEILNUMMER	AANTAL QUANTITY QUANTITE ANZAHL	
251	9.1030.0018*2	12	M10 DIN 985-10
252	9.1113.0014*6	12	M8x20 DIN 933-8.8
253	9.1051.0001*6	12	A8,4 DIN 6798 [//////]
254	9.1051.0002*0	14	A10,5 DIN 6798 [//////]
255	4.1201.1468.0	12	
256	9.1031.0013.3	(6)	(= 221) M18x1,5 DIN 937-22H
257	9.1072.0017.1	6	3x30 DIN 94
258	4.1201.1467.0	(6)	(= 222)
259	4.1201.1469.0	6	
260	9.1043.0020.5	12	OR 16x3
261	4.1201.0142.0	12	
262	4.1201.1474.0	6	[RD]
	4.1201.1473.0	6	[LD][x]
263	4.1201.0141*0	12	
264	4.1201.0145.0	11	
265	4.1201.0143.0	6	
266	9.1113.0013*5	4	M8x16 DIN 933-8.8
267	9.1030.0012*3	4	M8 DIN 985-8
268	4.1201.0391.0	2	

REF.	ONDERDEELNR. PART NUMBER REFERENCE TEILNUMMER	AANTAL QUANTITY QUANTITE ANZAHL	
275	4.1201.0329.0	1	
276	9.1120.0028.6	1	18x1,00 DIN 472
277	4.1207.0330.0	1	
278	4.1201.0135.0	1	
279	9.1113.0026*4	2	M10x16 DIN 933-8.8
280	9.1029.0024*2	1	M30x1,5 DIN 934-8
281	9.1052.0011.1	1	S30x42x2,5 DIN 988
282	4.1203.0149.0	1	
283	4.1203.0401.0	1	
284	4.1201.0146.0	1	
285	9.1049.0012.5	1	51x42 G-6205
286	9.1107.0006.4	2	6205 ZJV
287	4.1207.0359.0	1	
288	4.1207.0341.0	1	
291	9.1030.0015*6	2	M14 DIN 985-8
292	9.1113.0246*0	4	M14x55 DIN 931-8.8
293	9.1113.0142*1	2	M14x40 DIN 933-8.8
294	4.1217.0240.0	1	
295	4.1207.0176.0	1	L= 340 mm (Ø-Ø)
296	9.1113.0125*5	2	M12x35 DIN 933-8.8
297	9.1030.0013*4	2	M12 DIN 985-8
298	9.1029.0012*4	8	M14 DIN 934-8

LELY

	type number type number numéro de type Typnummer	vanaf serienummer as from serial number après numéro de serie ab Seriennummer
OPTIMO 240 C	4.1207.0301.1	998 - 0725
OPTIMO 240 C	4.1207.0302.1	1012 - 0501
OPTIMO 240 C	4.1207.0303.1	10111 - 0501



E025-08-00

REF.	ONDERDEELNR. PART NUMBER REFERENCE TEILNUMMER	AANTAL QUANTITY QUANTITE ANZAHL		
------	--	--	--	--

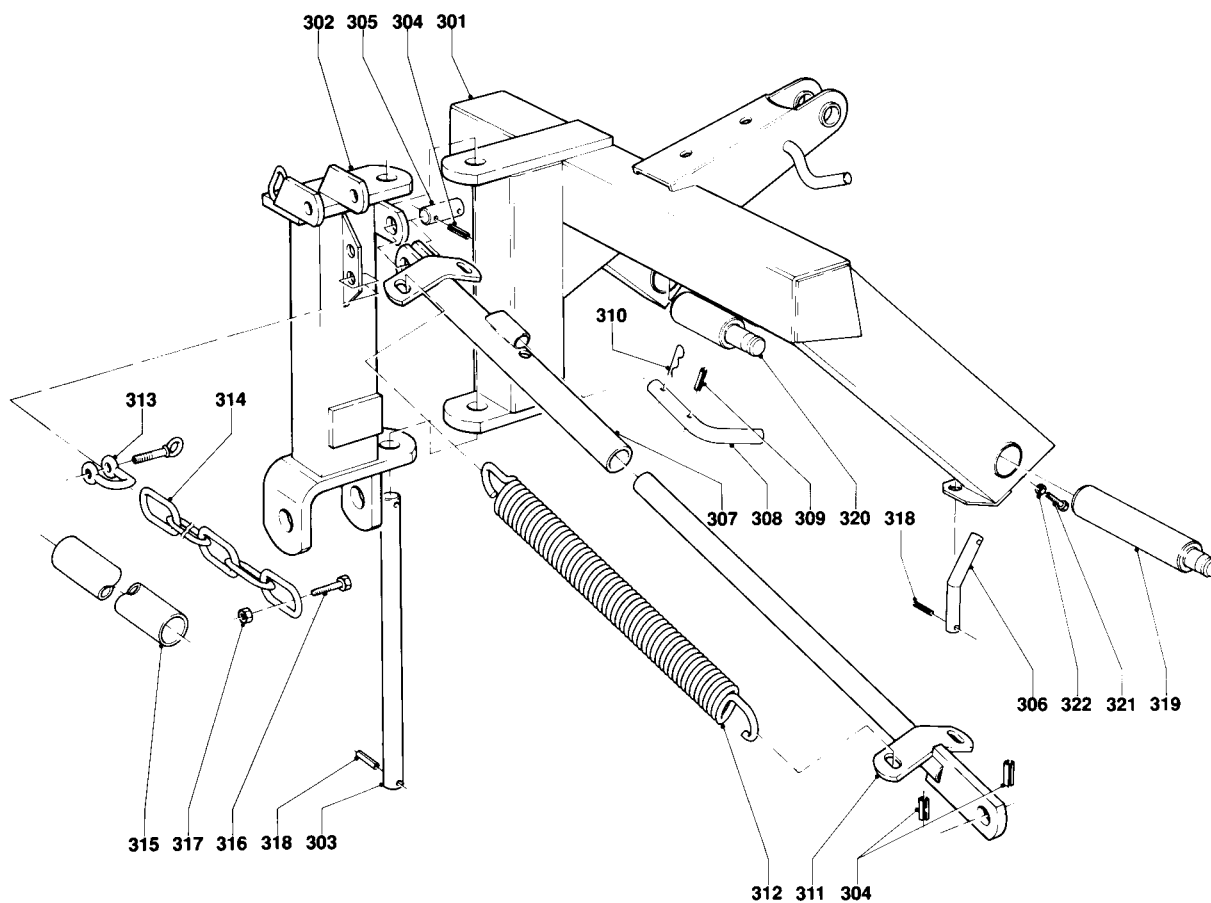
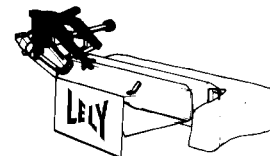
251	9.1030.0018*2	12	M10 DIN 985-10	
252	9.1113.0014*6	16	M8x20 DIN 933-8.8	
253	9.1051.0001*6	12	A8,2 DIN 6798	[////]
254	9.1051.0002*0	14	A10,5 DIN 6798	[////]
255	4.1201.1468.0	12		
256	9.1031.0013.3	(6)	(= REF. 221)	M18x1,5
257	9.1072.0017.1	6	3x30 DIN 94	
258	4.1201.1467.0	(6)	(= REF. 222)	
259	4.1201.1469.0	6		
260	9.1043.0020.5	12	OR 16x3	
261	4.1201.0142.0	12		
262	4.1201.1474.0	6	[RD]	L= 120 mm
	4.1201.1473.0	6	[LD][x]	L= 120 mm
263	4.1201.0141*0	12		
264	4.1201.0145.0	11		
265	4.1201.0143.0	6		
267	9.1030.0012*3	4	M8 DIN 985-8	
268	4.1201.0391.0	2		

REF.	ONDERDEELNR. PART NUMBER REFERENCE TEILNUMMER	AANTAL QUANTITY QUANTITE ANZAHL		
------	--	--	--	--

275	4.1201.0329.0	1		
276	9.1120.0028.6	1	18x1,00 DIN 472	
277	4.1207.0330.0	1		
278	4.1201.0135.0	1		
279	9.1113.0027*5	2	M10x20 DIN 933-8.8	
280	9.1029.0024*2	1	M30x1,5 DIN 934-8	
281	9.1052.0011.1	1	S30x42x2,5 DIN 988	
282	4.1203.0149.0	1		
283	4.1203.0401.0	1		
284	4.1201.0146.0	1		
285	9.1049.0012.5	1	51x42 G-6205	
286	9.1107.0006.4	2	6205 ZJV	
287	4.1207.0359.0	1		
288	4.1207.0341.0	1		
291	9.1030.0015*6	2	M14 DIN 985-8	
292	9.1113.0246*0	4	M14x55 DIN 931-8.8	
293	9.1113.0142*1	2	M14x40 DIN 933-8.8	
294	4.1217.0241.0	1		
295	4.1207.0176.0	1	L= 340 mm (Ø-Ø)	
296	9.1113.0125*5	2	M12x35 DIN 933-8.8	
297	9.1030.0013*4	2	M12 DIN 985-8	
298	9.1029.0012*4	8	M14 DIN 934-8	



	type number type number numéro de type Typnummer	vanaf serienummer as from serial number après numéro de serie ab Seriennummer
OPTIMO 240 C	4.1207.0300.2	960 - 0501



E026-04-00

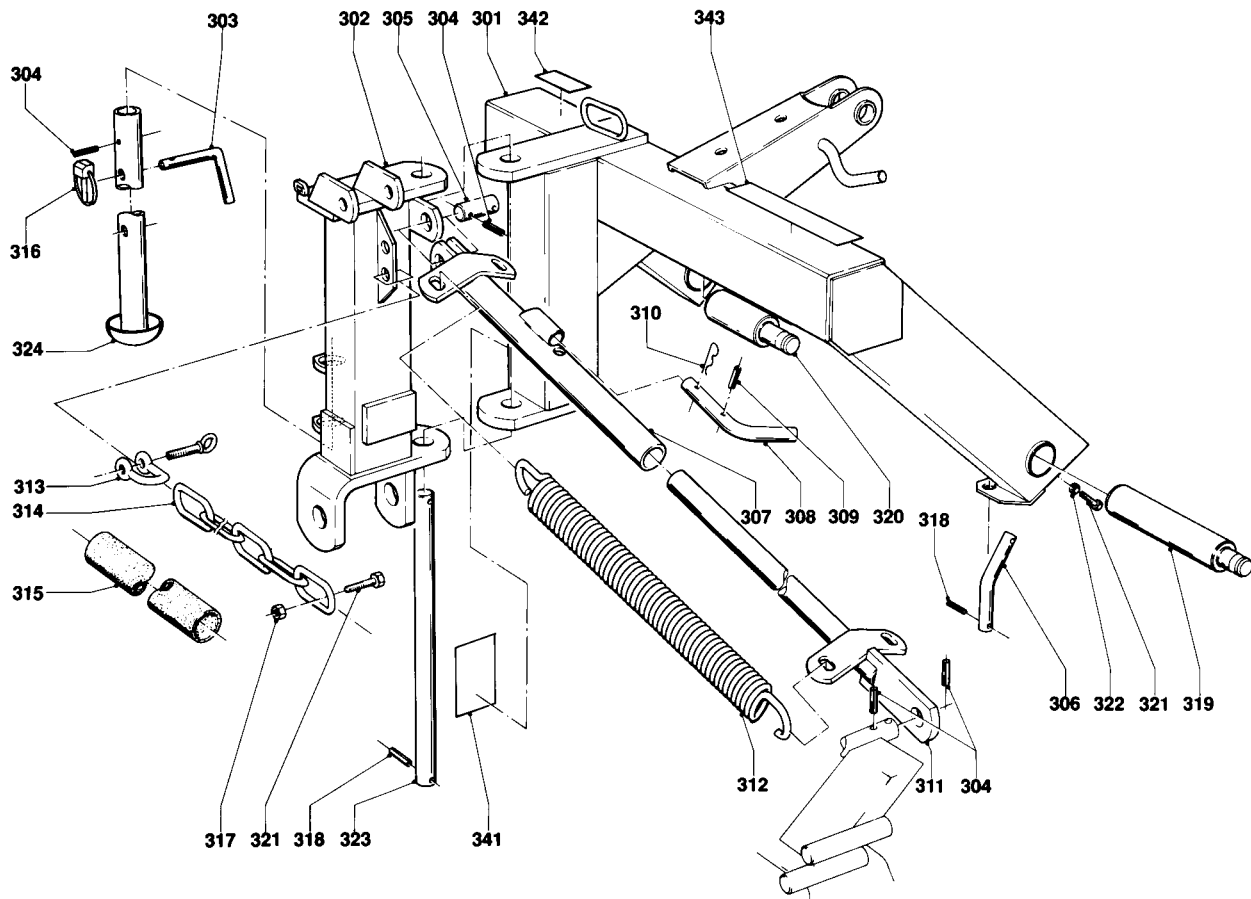
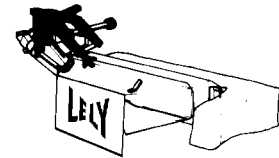
REF.	ONDERDEELNR. PART NUMBER REFERENCE TEILNUMMER	AANTAL QUANTITY QUANTITE ANZAHL
------	--	--

301	4.1208.0341.0	1
302	4.1207.0461.0	1
303	4.1207.0611.0	1
304	9.1070.0023*2	6
305	4.1207.0612.0	1
	Ø8x50 DIN 1481	
306	4.1208.1497.0	1
307	4.1207.0560.0	1
308	4.1002.0083.0	1
309	9.1070.0017*3	1
310	9.1124.0002*4	1
	Ø6x30 DIN 1481	
311	4.1207.0550.0	1
312	4.1207.0616.0	2
313	9.1146.0006.0	1
314	9.1144.0034.2	1
315	4.1207.0615.0	1
	15x(8x52)	
316	9.1113.0117*4	1
317	9.1030.0004*2	1
318	9.1070.0028*0	4
319	4.1208.1498.0	1
320	4.1208.1499.0	1
	M10x35 DIN 933-88	
	M10 DIN 985-8	
	Ø10x60 DIN 1481	
321	9.1113.0118*5	2
322	9.1029.0008*0	2
	M12x40 DIN 933-8.8	
	M12 DIN 934-8	

REF.	ONDERDEELNR. PART NUMBER REFERENCE TEILNUMMER	AANTAL QUANTITY QUANTITE ANZAHL
------	--	--



	type number type number numéro de type Typnummer	vanaf serienummer as from serial number après numéro de serie ab Seriennummer
OPTIMO 240 C	4.1207.0301.1	983 - 0501



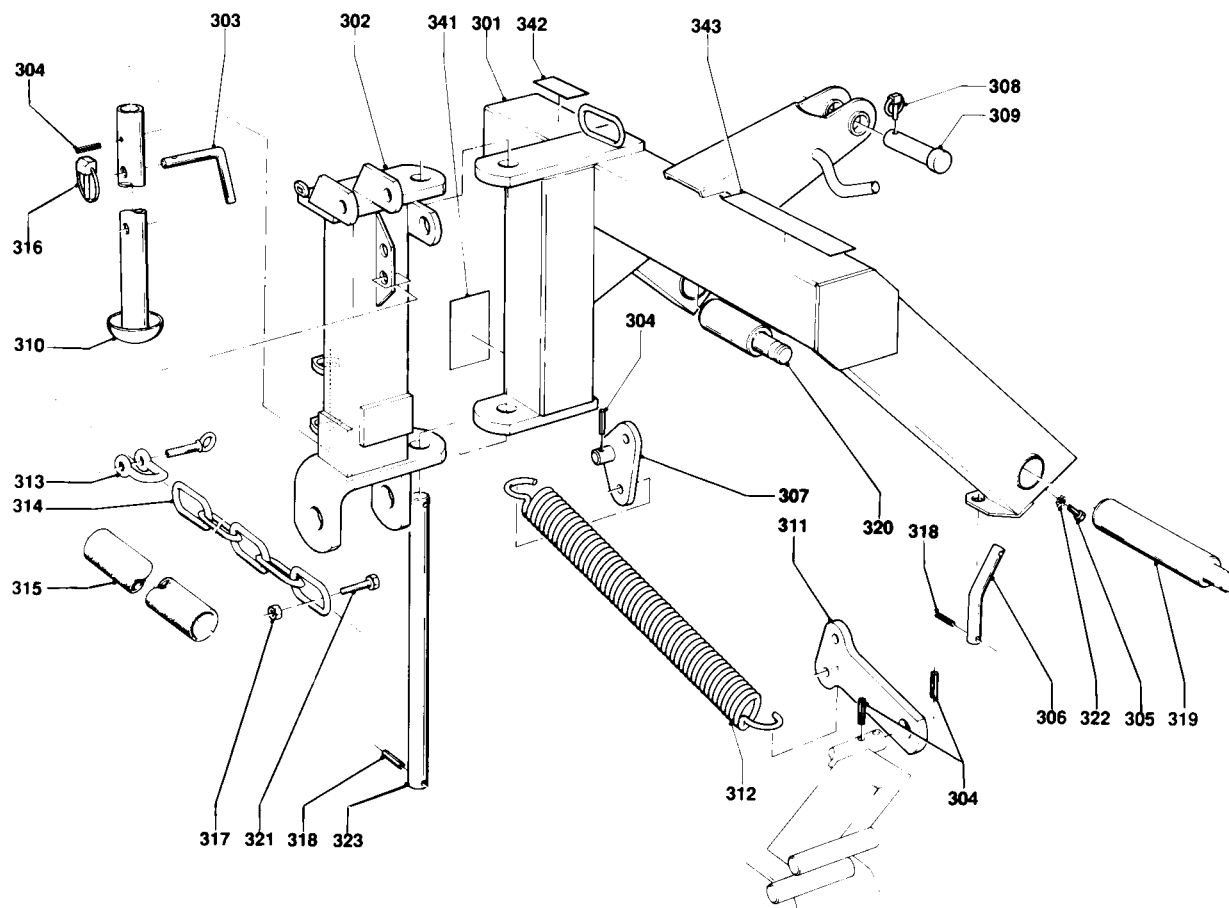
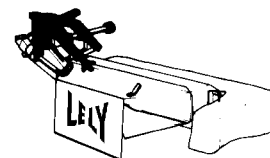
E026-07-00

REF.	ONDERDEELNR. PART NUMBER REFERENCE TEILNUMMER	AANTAL QUANTITY QUANTITE ANZAHL	
301	4.1208.0341.0	1	
302	4.1207.0462.0	1	
303	4.1003.0142.0	1	
304	9.1070.0023*2	5	Ø8x50 DIN 1481
305	4.1207.0612.0	1	
306	4.1208.1497.0	1	
307	4.1207.0560.0	1	
308	4.1002.0083.0	1	
309	9.1070.0018*4	1	Ø6x40 DIN 1481
310	9.1124.0002*4	1	Ø3
311	4.1207.0550.0	1	
312	4.1207.0616.0	2	
313	9.1146.0006.0	1	
314	4.1207.0609.0	1	16x(8x52)
315	4.1207.0615.0	1	
316	9.1123.0003*6	1	6x6
317	9.1030.0013*4	1	M12 DIN 985-8
318	9.1070.0028*0	4	Ø10x60 DIN 1481
319	4.1208.1498.0	1	
320	4.1208.1499.0	1	
321	9.1113.0118*5	3	M12x40 DIN 933-8.8
322	9.1029.0008*0	2	M12 DIN 934-8
323	4.1207.0611.0	1	
324	4.1207.0250.0	1	

REF.	ONDERDEELNR. PART NUMBER REFERENCE TEILNUMMER	AANTAL QUANTITY QUANTITE ANZAHL	
341	9.1170.0281.6	1	"Maaihoogte 22" 55 cm" "Mowing height 22" 55 cm" "Hautr. de fauchage 55 cm" "Mähhöhe 22" 55 cm"
342	9.1170.0125.4	1	"MAX. 540 omw/min"
343	9.1170.0091.5	1	"ATTENTIE PTO INSCHAKELEN BIJ STATIONAIR TOERENTAL"



	type nummer type number numéro de type Typnummer	vanaf serienummer as from serial number après numéro de serie ab Seriennummer
OPTIMO 240 C	4.1207.0301.1	998 - 0725



E026-08-00

REF.	ONDERDEELNR. PART NUMBER REFERENCE TEILNUMMER	AANTAL QUANTITY QUANTITE ANZAHL
------	--	--

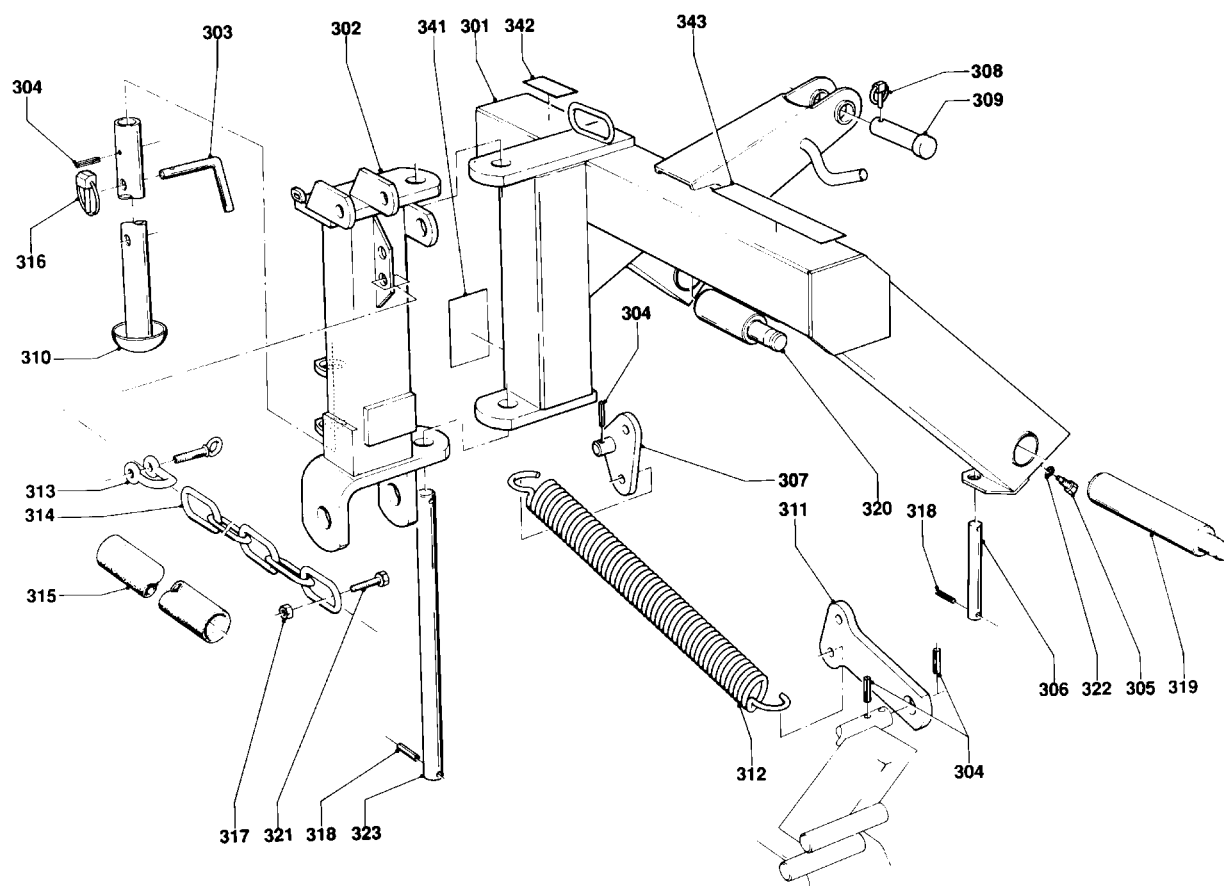
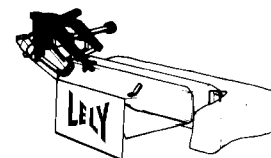
301	4.1208.0341.0	1
302	4.1207.0462.0	1
303	4.1003.0142.0	1
304	9.1070.0023*2	4
305	9.1113.0047*4	2
	Ø8x50 DIN 1481	
	M12x20 DIN 933-8.8	
306	4.1208.1497.0	1
307	4.1207.0630.0	1
308	9.1123.0002*5	1
309	9.1088.0005*1	1
310	4.1207.0250.0	1
311	4.1207.0606.0	1
312	4.1207.0616.0	2
313	9.1146.0006.0	1
314	4.1207.0609.0	1
315	4.1207.0615.0	1
	16x(8x52)	
316	9.1123.0003*6	1
317	9.1030.0013*4	1
	M12 DIN 985-8	
318	9.1070.0028*0	4
	Ø10x60 DIN 1481	
319	4.1208.1498.0	1
320	4.1208.1499.0	1
321	9.1113.0118*5	1
	M12x40 DIN 933-8.8	
322	9.1051.0003*1	2
	A12,5 DIN 6798	[//////]
323	4.1207.0611.0	1

REF.	ONDERDEELNR. PART NUMBER REFERENCE TEILNUMMER	AANTAL QUANTITY QUANTITE ANZAHL
------	--	--

341	9.1170.0281.6	1
	"Maaihoogte 22" 55 cm"	
	"Mowing height 22" 55 cm"	
	"Hautr. de fauchage 55 cm"	
	"Mähhöhe 22" 55 cm"	
342	9.1170.0125.4	1
	"MAX. 540 omw/min"	
343	9.1170.0091.5	1
	"ATTENTIE PTO INSCHAKELEN BIJ STATIONAIR TOERENTAL"	

LELY

	type number type number numéro de type Typnummer	vanaf serienummer as from serial number après numéro de serie ab Serienummer
OPTIMO 240 C	4.1207.0301.1	1008 - 0842
OPTIMO 240 C	4.1207.0302.1	1012 - 0501
OPTIMO 240 C	4.1207.0303.1	10111 - 0501



E026-09-00

REF.	ONDERDEELNR. PART NUMBER REFERENCE TEILNUMMER	AANTAL QUANTITY QUANTITE ANZAHL
------	--	--

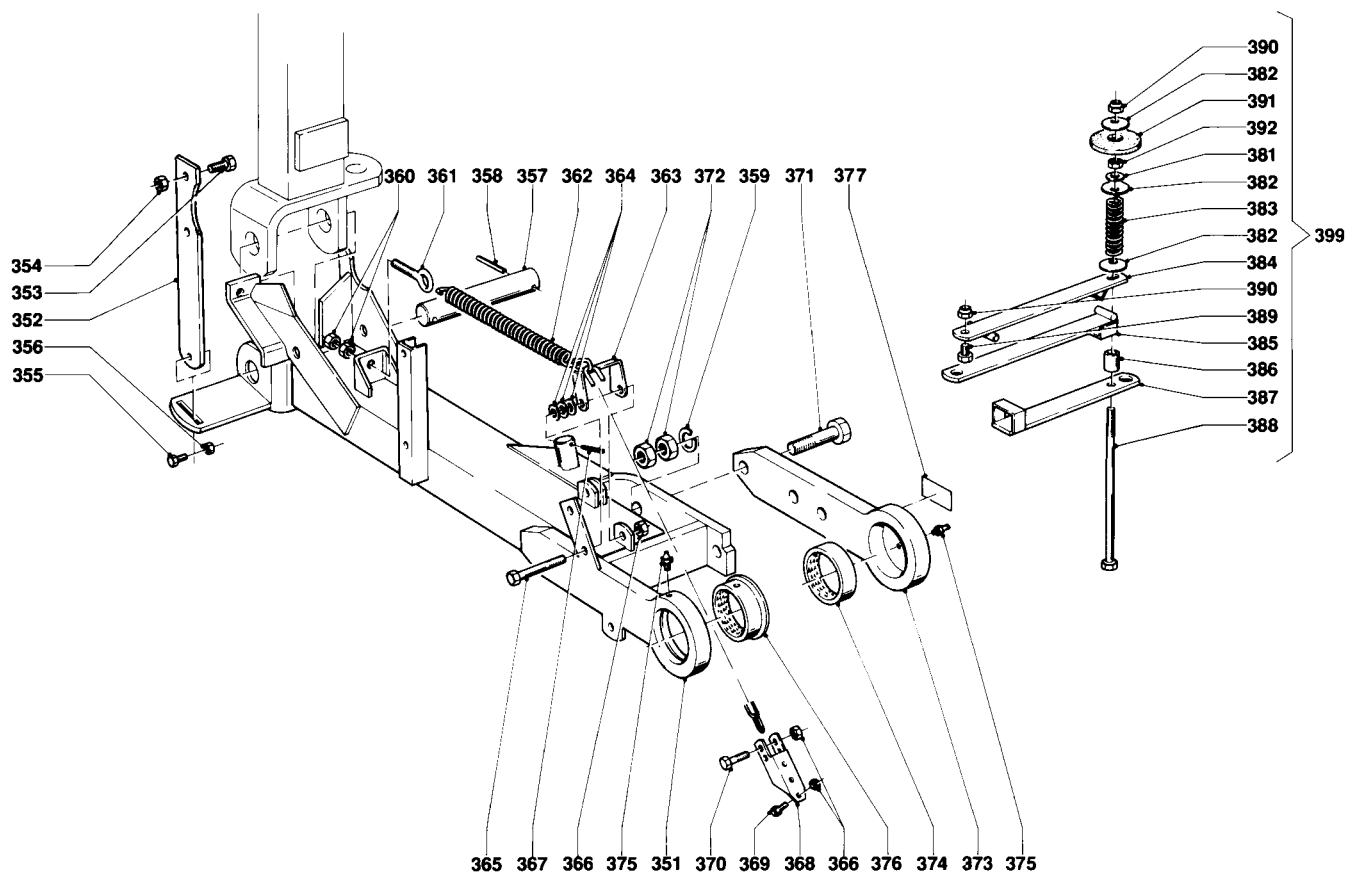
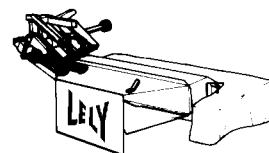
301	4.1208.0342.0	1
302	4.1207.0462.0	1
303	4.1003.0142.0	1
304	9.1070.0023.2	4
305	4.1208.0347.0	2
		Ø8x50 DIN 1481 M16
306	4.1208.1496.0	1
307	4.1207.0630.0	1
308	9.1123.0002*5	1
309	9.1088.0005*1	1
310	4.1207.0250.0	1
		Ø11 25-95
311	4.1207.0606.0	1
312	4.1207.0616.0	2
313	9.1146.0006.0	1
314	4.1207.0609.0	1
315	4.1207.0615.0	1
		16x(8x52)
316	9.1123.0003*6	1
317	9.1030.0013*4	1
318	9.1070.0028.0	4
319	4.1208.1498.0	1
320	4.1208.1499.0	1
		Ø10x60 DIN 1481
321	9.1113.0118*5	1
322	9.1051.0004*2	2
323	4.1207.0611.0	1
		M12x40 DIN 933-8.8 A16,5 DIN 6798

REF.	ONDERDEELNR. PART NUMBER REFERENCE TEILNUMMER	AANTAL QUANTITY QUANTITE ANZAHL
------	--	--

341	9.1170.0281.6	1	"Maaihoogte 22" 55 cm" "Mowing height 22" 55 cm" "Hautr. de fauchage 55 cm" "Mähhöhe 22" 55 cm"
342	9.1170.0125.4	1	"MAX. 540/min"
343	9.1170.0091.5	1	"ATTENTIE; PTO INSCHAKELEN BIJ STATIONAIR TOERENTAL"



	type nummer type number numéro de type Typnummer	vanaf serienummer as from serial number après numéro de série ab Seriennummer
OPTIMO 240 C	4.1207.0300.2	960 - 0501



E011-04-00

REF.	ONDERDEELNR. PART NUMBER REFERENCE TEILNUMMER	AANTAL QUANTITY QUANTITE ANZAHL
------	--	--

351	4.1207.0482.0	1
352	4.1207.1499.0	1
353	9.1113.0118*5	2
354	9.1030.0013*4	2
355	9.1113.0014*6	1
356	9.1030.0012*3	1
357	4.1207.0610.0	1
358	9.1070.0038*3	2
359	9.1121.0014*5	3
360	9.1029.0008*0	2
361	9.1114.0003.1	1
362	4.1201.1481.0	1
363	4.1201.0550.0	1
364	9.1048.0007*1	4
365	9.1113.0043*0	1
366	9.1030.0004*2	4
367	9.1070.0028*0	1
368	4.1201.1464.0	1
369	9.1113.0029*0	2
370	9.1113.0035*6	1
371	9.1113.0094*2	3
372	9.1029.0016*1	6
373	4.1207.0580.0	1
374	4.1201.1482.0	1
375	9.1068.0007*2	2

REF.	ONDERDEELNR. PART NUMBER REFERENCE TEILNUMMER	AANTAL QUANTITY QUANTITE ANZAHL
------	--	--

376	4.1207.0620.0	1
381	9.1048.0053*5	2
382	9.1091.0008*1	3
383	4.1203.0219.0	1
384	4.1201.0220.0	1
385	4.1201.0230.0	1
386	4.1201.0259.0	1
387	4.1201.0240.0	1
388	9.1113.0161*6	1
389	9.1113.0119*6	1
390	9.1030.0015*6	2
391	4.1201.0219.0	1
392	9.1029.0012*4	1
399	4.1203.0210.0	1

A15 DIN 125 [—]
40x14,3x1,5 DIN 2093

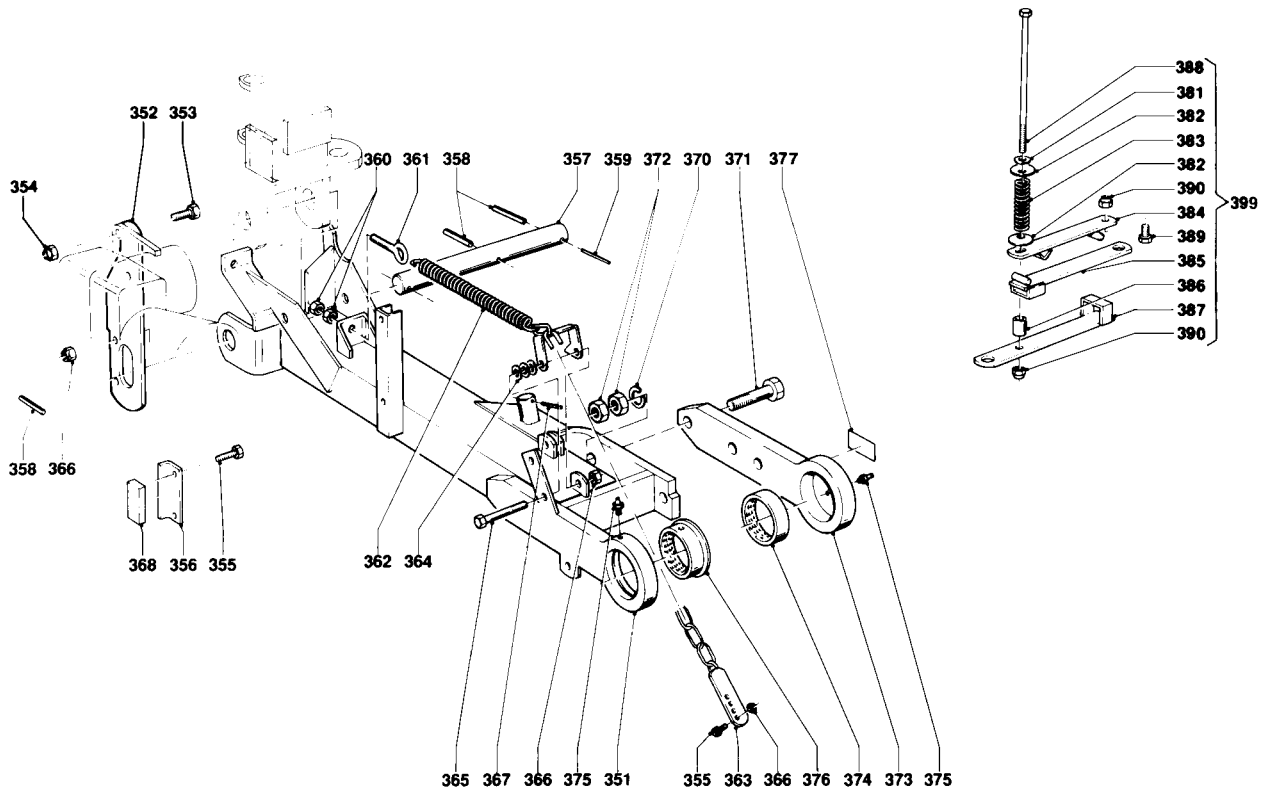
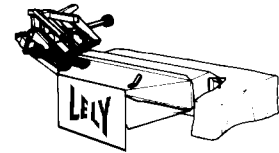
M14x260 DIN 931-8.8
M14x30 DIN 933-8.8
M14 DIN 934-8

M14 DIN 934-8

= REF. 381-392



	type nummer type number numéro de type Typnummer	vanaf serienummer as from serial number après numéro de serie ab Seriennummer
OPTIMO 240 C	4.1207.0301.1	983 - 0501



E011-08-00

REF.	ONDERDEELNR. PART NUMBER REFERENCE TEILNUMMER	AANTAL QUANTITY QUANTITE ANZAHL
------	--	--

351	4.1210.0570.0	1
352	4.1207.1496.0	1
353	9.1113.0125*5	2
354	9.1030.0013*4	2
355	9.1113.0117*4	4
356	4.1207.1495.0	1
357	4.1207.0608.0	1
358	9.1070.0038*3	3
359	9.1070.0062*6	1
360	9.1029.0008*0	2
361	1.1633.1495.0	1
362	4.1201.1481.0	1
363	4.1201.0551.0	1
364	9.1048.0007*1	4
365	9.1113.0043*0	1
366	9.1030.0004*2	5
367	9.1070.0028*0	1
368	4.1207.1494.0	1
370	9.1121.0014*5	3
371	9.1113.0094*2	3
372	9.1029.0016*1	6
373	4.1207.0580.0	1
374	4.1201.1482.0	1
375	9.1068.0007*2	2
376	4.1207.0620.0	1
377	9.1170.0205.0	2

REF.	ONDERDEELNR. PART NUMBER REFERENCE TEILNUMMER	AANTAL QUANTITY QUANTITE ANZAHL
------	--	--

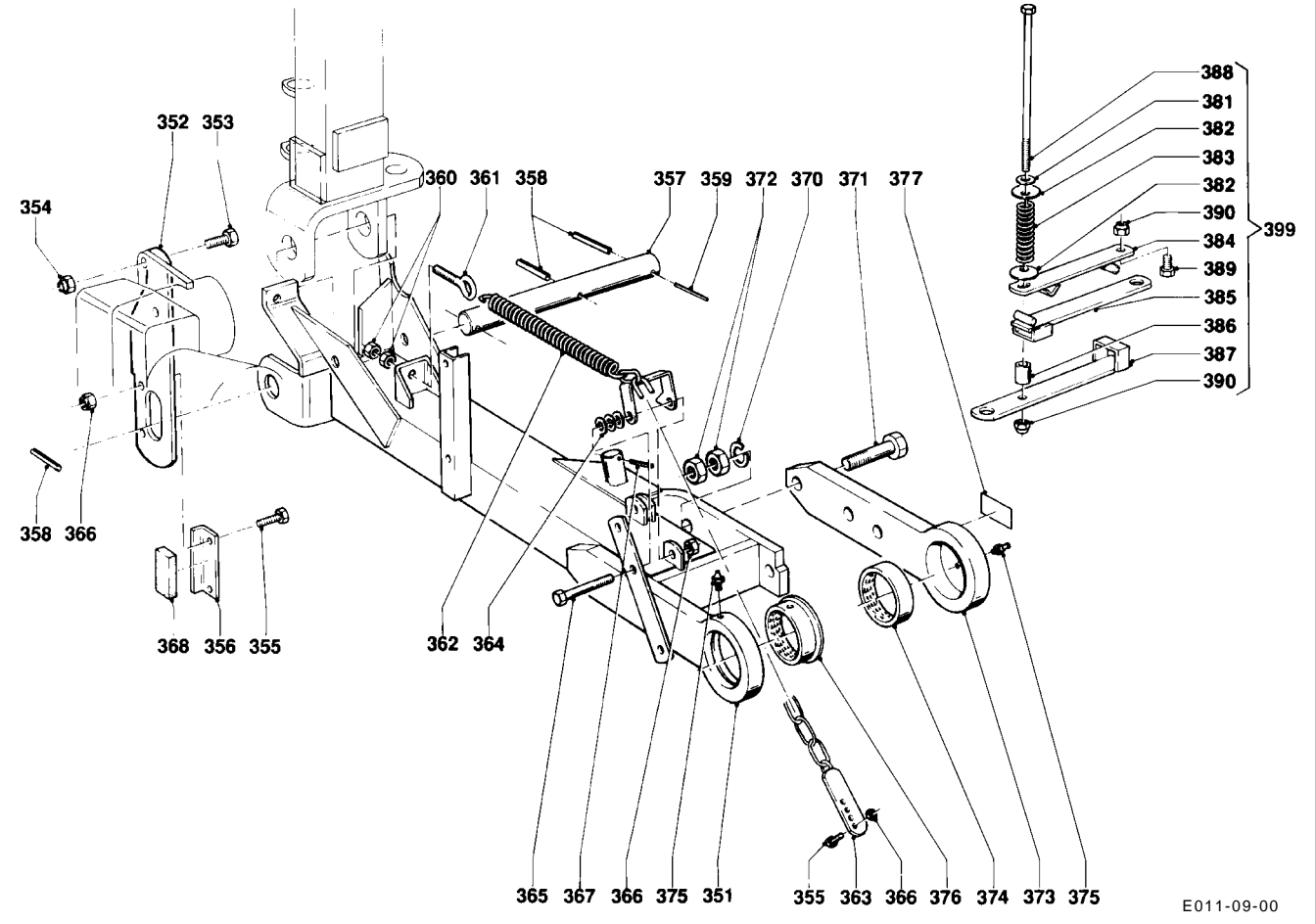
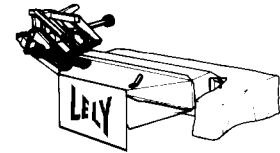
381	9.1048.0053*5	1
382	9.1091.0008*1	2
383	4.1203.0219.0	1
384	4.1201.0221.0	1
385	4.1201.0231.0	1
386	4.1201.0259.0	1
387	4.1201.0241.0	1
388	9.1113.0161*6	1
389	9.1113.0119*6	1
390	9.1030.0015*6	2
399	4.1203.0210.0	1

A15 DIN 125 [—]
40x14,3x1,5 DIN 2093
M12x35 DIN 933-8.8
M12 DIN 985-8
M10x35 DIN 933-8.8
L= 364 mm
Ø10x75 DIN 1481
Ø6x75 DIN 1481
M12 DIN 934-8
M10 DIN 985-8
Ø10x60 DIN 1481
A20 DIN 127 [—]
M20x90 DIN 931-8.8
M20 DIN 934-8
AM8x1,25 DIN 71412
"SMEERPUNT"

= REF. 381-390



	type number type number numéro de type Typnummer	vanaf serienummer as from serial number après numéro de serie ab Serienummer
OPTIMO 240 C	4.1207.0302.1	1012 - 0501
OPTIMO 240 C	4.1207.0303.1	10111 - 0501



E011-09-00

REF.	ONDERDEELNR. PART NUMBER REFERENCE TEILNUMMER	AANTAL QUANTITY QUANTITE ANZAHL	
351	4.1225.0241.0	1	
352	4.1207.1496.0	1	
353	9.1113.0125*5	2	M12x35 DIN 933-8.8
354	9.1030.0013*4	2	M12 DIN 985-8
355	9.1113.0117*4	4	M10x35 DIN 933-8.8
356	4.1207.1495.0	1	
357	4.1207.0605.0	1	L= 378 mm
358	9.1070.0038.3	3	Ø10x75 DIN 1481
359	9.1070.0062.6	1	Ø6x75 DIN 1481
360	9.1029.0008*0	2	M12 DIN 934-8
361	1.1633.1495.0	1	
362	4.1201.1481.0	1	
363	4.1201.0551.0	1	
364	9.1048.0007*1	4	A10,5 DIN 125 [—]
365	9.1113.0043*0	1	M10x110 DIN 931-8.8
366	9.1030.0004*2	5	M10 DIN 985-8
367	9.1070.0028.0	1	Ø10x60 DIN 1481
368	4.1207.1494.0	1	
370	9.1121.0014*5	3	A20 DIN 127 [—]
371	9.1113.0094*2	3	M20x90 DIN 931-8.8
372	9.1029.0016*1	6	M20 DIN 934-8
373	4.1207.0580.0	1	
374	4.1201.1482.0	1	
375	9.1068.0007*2	3	AM8x1,25
376	4.1207.0620.0	1	
377	9.1170.0205.0	2	"Smeerpunt" "Greasing point" "Point de graissage" "Schmierstelle"

REF.	ONDERDEELNR. PART NUMBER REFERENCE TEILNUMMER	AANTAL QUANTITY QUANTITE ANZAHL	
381	9.1048.0053*5	1	A15 DIN 125 [—]
382	9.1091.0008*1	2	40x14,3x1,5 DIN 2093
383	4.1203.0219.0	1	
384	4.1201.0221.0	1	
385	4.1201.0231.0	1	
386	4.1201.0259.0	1	
387	4.1201.0241.0	1	
388	9.1113.0161*6	1	M14x260 DIN 931-8.8
389	9.1113.0119*6	1	M14x30 DIN 933-8.8
390	9.1030.0015*6	2	M14 DIN 985-8
399	4.1203.0210.0	1	= REF. 381-390

LELY

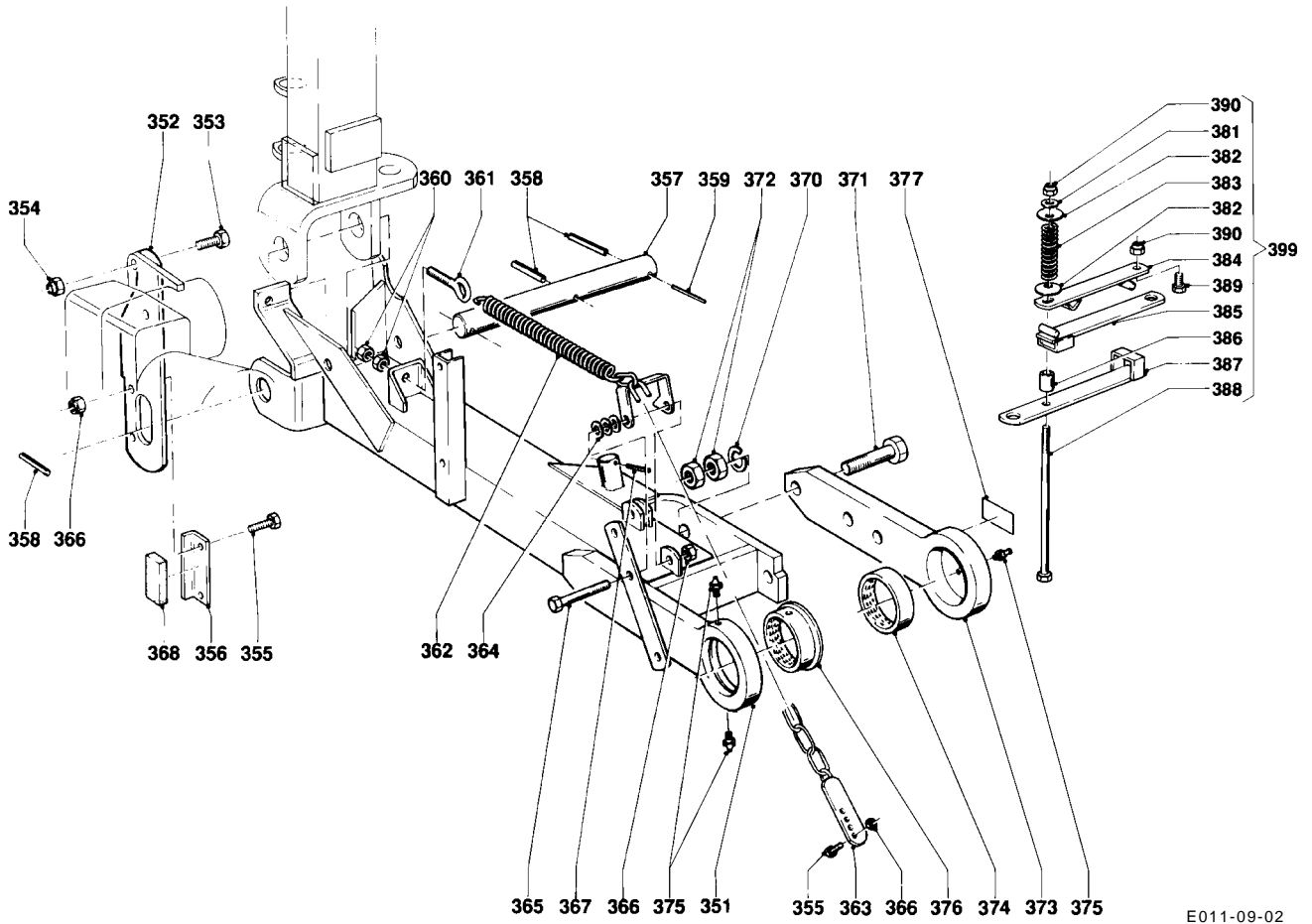
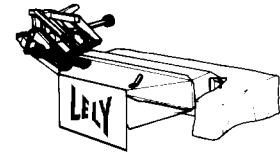
OPTIMO 240 C

 type number
 type number
 numéro de type
 Typnummer

4.1207.0303.1

 vanaf serienummer
 as from serial number
 après numéro de série
 ab Seriennummer

10204 - 0701



E011-09-02

REF.	ONDERDEELNR. PART NUMBER REFERENCE TEILNUMMER	AANTAL QUANTITY QUANTITE ANZAHL
------	--	--

351	4.1225.0241.0	1
352	4.1207.1496.0	1
353	9.1113.0125*5	2
354	9.1030.0013*4	2
355	9.1113.0117*4	4
356	4.1207.1495.0	1
357	4.1207.0605.0	1
358	9.1070.0038.3	3
359	9.1070.0062.6	1
360	9.1029.0008*0	2
361	1.1633.1495.0	1
362	4.1201.1481.0	1
363	4.1201.0551.0	1
364	9.1048.0007*1	4
365	9.1113.0044*1	1
366	9.1030.0004*2	5
367	9.1070.0028.0	1
368	4.1207.1494.0	1
370	9.1121.0014*5	3
371	9.1113.0094*2	3
372	9.1029.0016*1	6
373	4.1207.0580.0	1
374	4.1201.1482.0	1
375	9.1068.0007*2	3
376	4.1207.0620.0	1
377	9.1170.0205.0	2

REF.	ONDERDEELNR. PART NUMBER REFERENCE TEILNUMMER	AANTAL QUANTITY QUANTITE ANZAHL
------	--	--

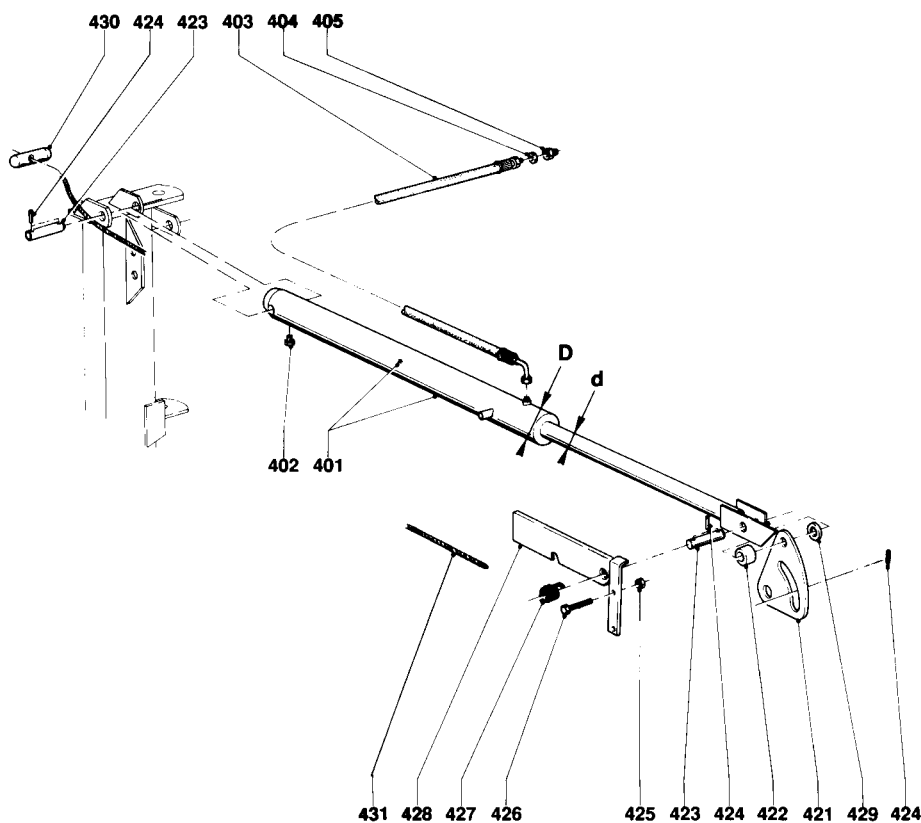
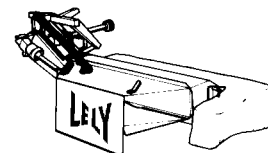
381	9.1048.0053*5	1
382	9.1091.0008*1	2
383	4.1203.0219.0	1
384	4.1219.0111.0	1
385	4.1219.0121.0	1
386	4.1219.0098.0	1
387	4.1219.0130.0	1
388	9.1113.0161*6	1
389	9.1113.0178*2	1
390	9.1030.0015*6	2
399	4.1229.0190.0	1

A15 DIN 125 [—]
 40x14,3x1,5 DIN 2093
 M12x35 DIN 933-8.8
 M12 DIN 985-8
 M10x35 DIN 933-8.8
 Ø10x75 DIN 1481
 Ø6x75 DIN 1481
 M12 DIN 934-8
 M10x120 DIN 931-8.8
 M10 DIN 985-8
 Ø10x60 DIN 1481
 A20 DIN 127 [—]
 M20x90 DIN 931-8.8
 M20 DIN 934-8
 AM8x1,25
 "Smeerpunt"
 "Greasing point"
 "Point de graissage"
 "Schmierstelle"

= REF. 381-390

LELY

	type number type number numéro de type Typnummer	vanaf serienummer as from serial number après numéro de serie ab Seriennummer
OPTIMO 240 C	4.1207.0300.1	932 - 0501
OPTIMO 240 C	4.1207.0300.2	960 - 0501



E023-03-10

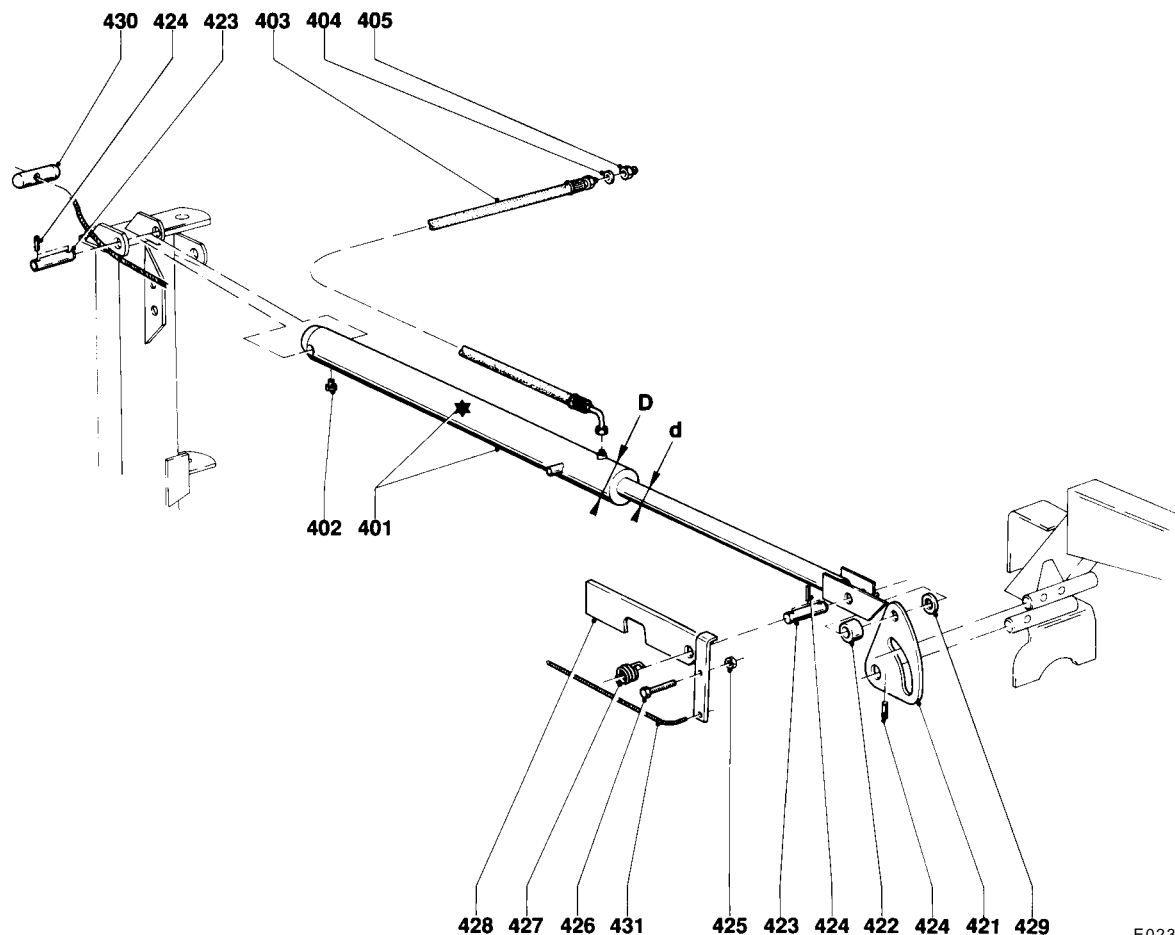
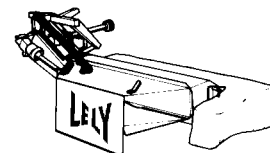
REF.	ONDERDEELNR. PART NUMBER REFERENCE TEILNUMMER	AANTAL QUANTITY QUANTITE ANZAHL	
------	--	--	--

401	4.1207.0390.0	1	(401= 401+ ★ +402) slag / extension: 475 mm course / Hub: 475 mm
★	4.1207.0399.0	(1)	(d= Ø35, D= Ø60/70) [A+A][x]
402	9.1150.0004.1	(1)	M14x1,5
403	4.1016.0530.0	1	L= 2060 mm
404	9.1137.0401.5	-	Ø14x20x1,5 []
405	9.1137.0606.0	-	RED-R 3/8"-1/4"
	9.1137.0604.5	-	M18x1,5-1/4"
	9.1137.0603.4	-	RED-R 1/2"-1/4"
	9.1137.0608.2	-	M22x1,5-1/4"
421	4.1207.0617.0	1	
422	4.1207.0548.0	1	
423	4.1207.0613.0	2	
424	9.1070.0023*2	7	Ø8x50 DIN 1481
425	9.1030.0004*2	1	M10 DIN 985-8
426	9.1113.0117*4	1	M10x35 DIN 933-8.8
427	4.1006.0075.0	1	
428	4.1207.0541.0	1	
429	9.1048.0045*4	1	26 DIN 126 []
430	2.3201.0328.0	1	
431	4.1201.1462.0	1	Ø6x4m (1m= 9.1163.0004.2)

REF.	ONDERDEELNR. PART NUMBER REFERENCE TEILNUMMER	AANTAL QUANTITY QUANTITE ANZAHL	
------	--	--	--



	type number type number numéro de type Typnummer	vanaf serienummer as from serial number après numéro de serie ab Seriennummer
OPTIMO 240 C	4.1207.0301.1	983 - 0501



E023-05-01

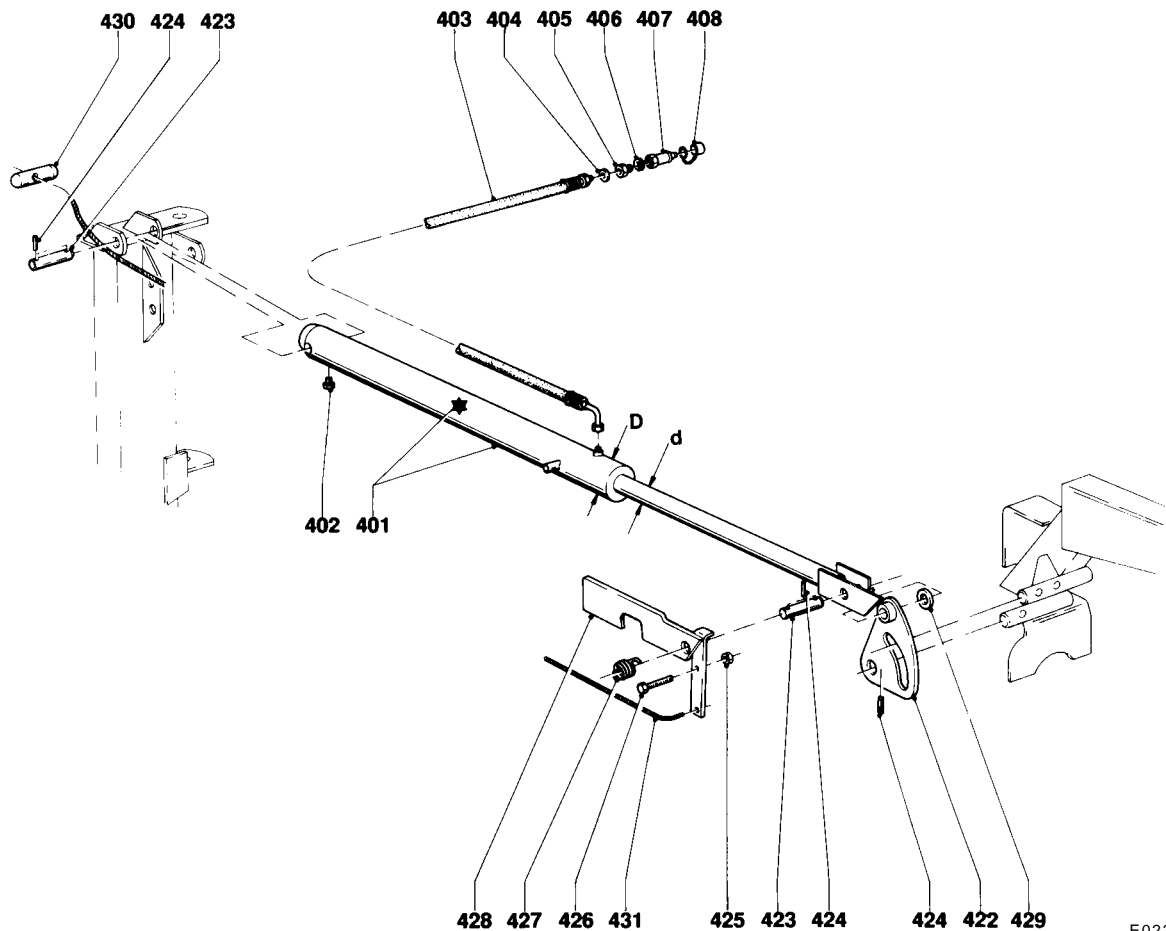
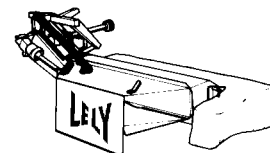
REF.	ONDERDEELNR. PART NUMBER REFERENCE TEILNUMMER	AANTAL QUANTITY QUANTITE ANZAHL	
------	--	--	--

401	4.1207.0391.0	1	(401= 401+ ★ +402) slag / extension: 500 mm course / Hub: 500 mm
★	4.1207.0399.0	(1)	(d= Ø35, D= Ø60/70) [A+A][x]
402	9.1150.0004.1	(1)	M14x1,5
403	4.1016.0530.0	1	L= 2060 mm
404	9.1137.0401.5	-	Ø14x20x1,5 []
405	9.1137.0606.0	-	RED-R 3/8"-1/4"
	9.1137.0604.5	-	M18x1,5-1/4"
	9.1137.0603.4	-	RED-R 1/2"-1/4"
	9.1137.0608.2	-	M22x1,5-1/4"
421	4.1207.0617.0	1	
422	4.1207.0548.0	1	
423	4.1207.0613.0	2	
424	9.1070.0023*2	7	Ø8x50 DIN 1481
425	9.1030.0004*2	1	M10 DIN 985-8
426	9.1113.0117*4	1	M10x35 DIN 933-8.8
427	4.1006.0075.0	1	
428	4.1207.0541.0	1	
429	9.1048.0045*4	1	26 DIN 126 []
430	2.3201.0328.0	1	
431	4.1201.1462.0	1	Ø6x4m (1m= 9.1163.0004.2)

REF.	ONDERDEELNR. PART NUMBER REFERENCE TEILNUMMER	AANTAL QUANTITY QUANTITE ANZAHL	
------	--	--	--



	type number type number numéro de type Typnummer	vanaf serienummer as from serial number après numéro de serie ab Seriennummer
OPTIMO 240 C	4.1207.0301.1	998 - 0725
OPTIMO 240 C	4.1207.0302.1	1012 - 0501
OPTIMO 240 C	4.1207.0303.1	10111 - 0501



E023-06-00

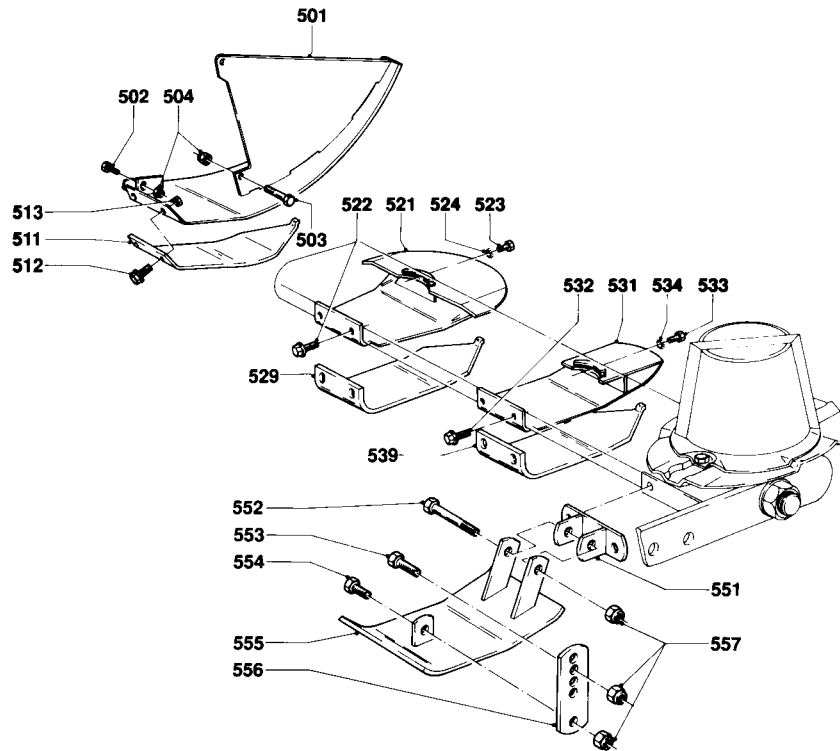
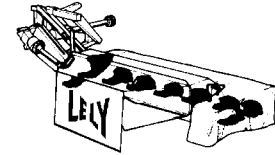
REF.	ONDERDEELNR. PART NUMBER REFERENCE TEILNUMMER	AANTAL QUANTITY QUANTITE ANZAHL	
------	--	--	--

401	4.1207.0391.0	1	(401= 401+ ★ +402) slag / extension: 500 mm course / Hub: 500 mm
★	4.1207.0399.0	(1)	(d= Ø35, D= Ø60/70) [A+A][x]
402	9.1150.0004.1	(1)	M14x1,5
403	4.1016.0530.0	1	L= 2060 mm
404	9.1137.0401.5	1	Ø14x20x1,5 Cu [—]
405	9.1137.0603.4	1	1/2"-1/4"
406	9.1137.0402.6	1	Ø22x29x1,5 Cu [—]
407	9.1137.0302.4	1	1/2" G
408	9.1137.0303.5	1	1/2" PVC
422	4.1207.0640.0	1	
423	4.1207.0613.0	2	
424	9.1070.0023.2	7	Ø8x50 DIN 1481
425	9.1030.0004*2	1	M10 DIN 985-8
426	9.1113.0117*4	1	M10x35 DIN 933-8.8
427	4.1006.0075.0	1	
428	4.1207.0541.0	1	
429	9.1048.0045*4	1	26 DIN 126 [—]
430	2.3201.0328.0	1	
431	4.1201.1462.0	1	Ø6x4m (1m= 9.1163.0004.2)

REF.	ONDERDEELNR. PART NUMBER REFERENCE TEILNUMMER	AANTAL QUANTITY QUANTITE ANZAHL	
------	--	--	--

LELY

	type nummer type number numéro de type Typnummer	vanaf serienummer as from serial number après numéro de serie ab Seriennummer
OPTIMO 240 C	4.1207.0300.1	949 - 0501
OPTIMO 240 C	4.1207.0300.2	960 - 0501
OPTIMO 240 C	4.1207.0301.1	983 - 0501



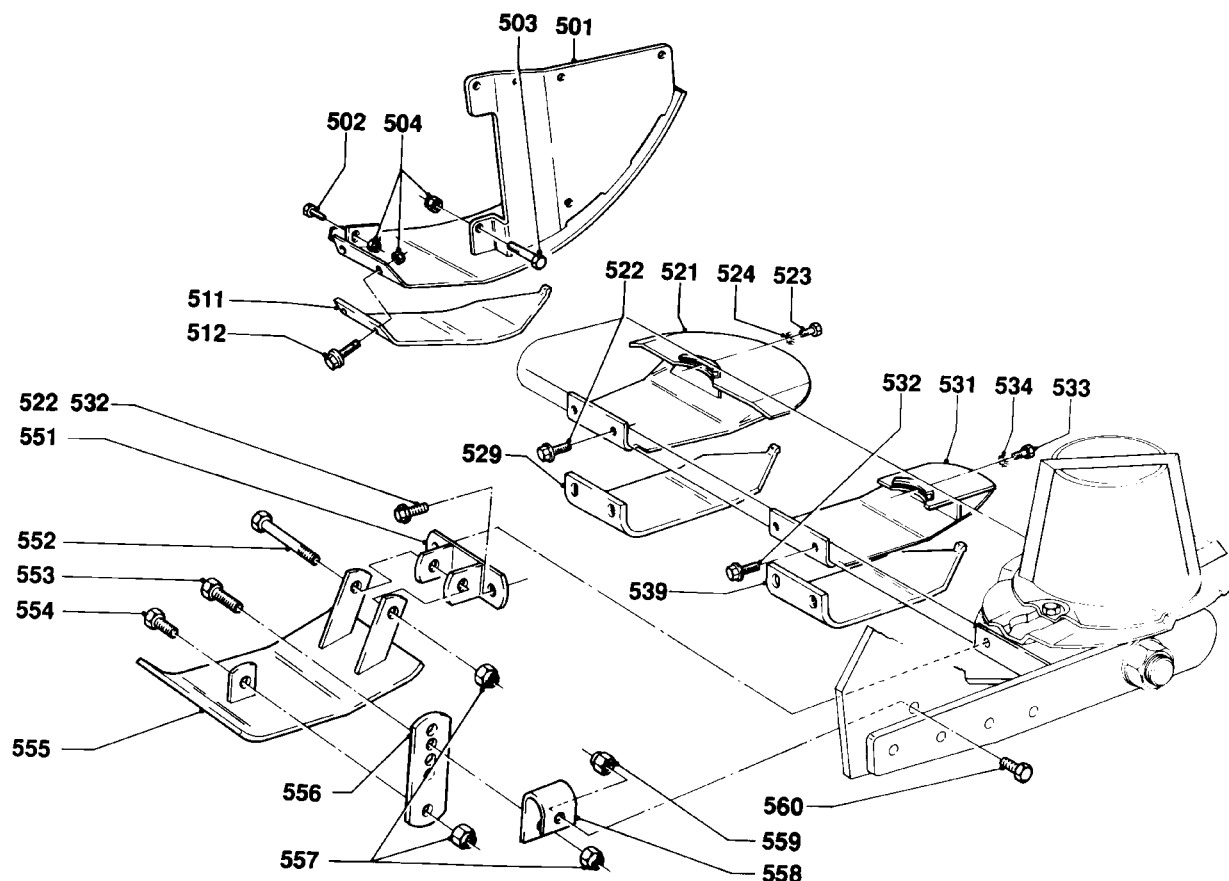
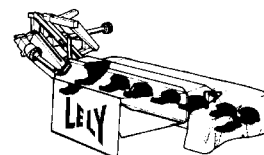
E028-06-01

REF.	ONDERDEELNR. PART NUMBER REFERENCE TEILNUMMER	AANTAL QUANTITY QUANTITE ANZAHL	
501	4.1201.0361.0	1	
502	9.1113.0117*4	1	M10x35 DIN 933-8.8
503	9.1113.0041*5	1	M10x70 DIN 931-8.8
504	9.1030.0004*2	2	M10 DIN 985-8
511	4.1201.2003.0	1	3 mm [x] Slijtplaat
	4.1201.2006.0	1	6 mm Wear plate
			Plaque d'usure
			Verschleissplatte
512	9.1114.0009*0	2	M10x25 8.8
513	9.1030.0004*2	2	M10 DIN 985-8
521	4.1201.0410.0	6	Brede glijsloffen Wide skids Patins larges Breite Gleitkufen
522	9.1114.0009*0	12	M10x25 8.8
523	9.1113.0267*0	6	M8x16 DIN 933-10.9
524	9.1051.0001*6	6	A8,2 DIN 6798 []
529	4.1201.2002.0	6	3 mm [x] Slijtplaten
	4.1201.2005.0	6	6 mm Wear plates
			Plaques d'usure
			Verschleissplatten
531	4.1201.2200.0	6	Smalle glijsloffen Narrow skids Patins étroits Schmale Gleitkufen

REF.	ONDERDEELNR. PART NUMBER REFERENCE TEILNUMMER	AANTAL QUANTITY QUANTITE ANZAHL	
532	9.1114.0009*0	12	M10x25 8.8
533	9.1113.0267*0	6	M8x16 DIN 933-10.9
534	9.1051.0001*6	6	A8,2 DIN 6798 []
539	4.1201.2004.0	6	3 mm [x] Slijtplaten
	4.1201.2007.0	6	6 mm Wear plates
			Plaques d'usure
			Verschleissplatten
551	4.1207.2030.0	1	
552	9.1113.0156*1	2	M10x85 DIN 931-10.9
553	9.1113.0117*4	2	M10x35 DIN 933-8.8
554	9.1113.0120*0	2	M10x30 DIN 933-8.8
555	4.1207.2011.0	2	
556	4.1207.2047.0	2	
557	9.1030.0004*2	6	M10 DIN 985-8

LELY

	type nummer type number numéro de type Typnummer	vanaf serienummer as from serial number après numéro de serie ab Seriennummer
OPTIMO 240 C	4.1207.0301.1	998 - 0725
OPTIMO 240 C	4.1207.0302.1	1012 - 0501
OPTIMO 240 C	4.1207.0303.1	10111 - 0501



E028-08-00

REF.	ONDERDEELNR. PART NUMBER REFERENCE TEILNUMMER	AANTAL QUANTITY QUANTITE ANZAHL	
------	--	--	--

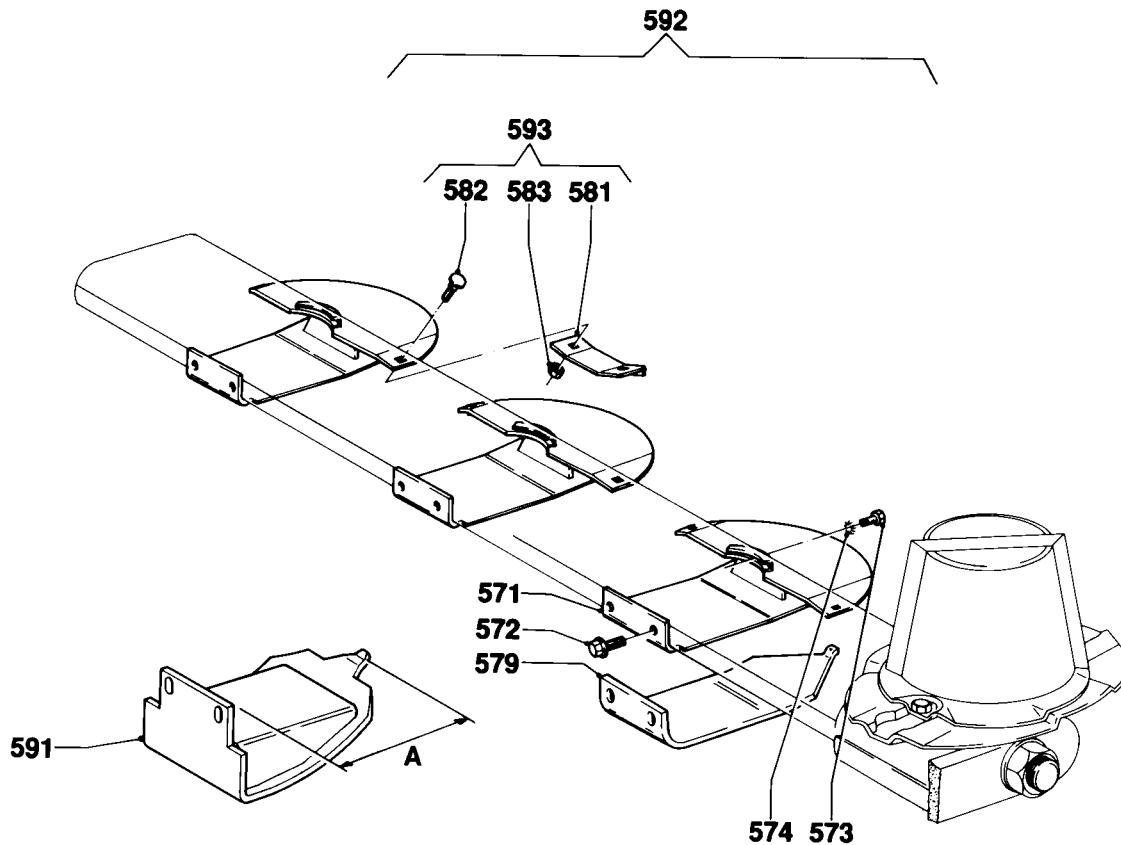
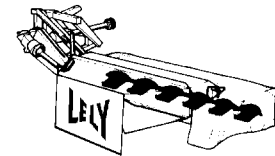
501	4.1201.0362.0	1	
502	9.1113.0117*4	1	M10x35 DIN 933-8.8
503	9.1113.0041*5	1	M10x70 DIN 931-8.8
504	9.1030.0004*2	4	M10 DIN 985-8
511	4.1201.2003.0	1	3 mm Slijtplate
	4.1201.2006.0	(1)	6 mm Wear plate
			Plaque d'usure
			Verschleissplatte
512	9.1114.0009*0	2	M10x30 8.8
521	4.1201.0410.0	6	Brede glijsloffen Wide skids Patins larges Breite Gleitkufen
522	9.1114.0009*0	12	M10x30 8.8
523	9.1113.0267*0	6	M8x16 DIN 933-10.9
524	9.1051.0001*6	6	A8,2 DIN 6798 [//////]
529	4.1201.2002.0	6	3 mm Slijtplate
	4.1201.2005.0	(6)	6 mm Wear plates
			Plaques d'usure
			Verschleissplatten

REF.	ONDERDEELNR. PART NUMBER REFERENCE TEILNUMMER	AANTAL QUANTITY QUANTITE ANZAHL	
------	--	--	--

531	4.1201.2200.0	6	Smalle glijsloffen Narrow skids Patins étroits Schmale Gleitkufen
532	9.1114.0009*0	12	M10x30 8.8
533	9.1113.0267*0	6	M8x16 DIN 933-10.9
534	9.1051.0001*6	6	A8,2 DIN 6798 [//////]
539	4.1201.2004.0	6	3 mm Slijtplate
	4.1201.2007.0	(6)	6 mm Wear plates
			Plaques d'usure
			Verschleissplatten
551	4.1207.2030.0	1	[R]
552	9.1113.0156*1	2	M10x85 DIN 931-10.9
553	9.1113.0117*4	1	M10x35 DIN 933-8.8
554	9.1113.0120*0	3	M10x30 DIN 933-8.8
555	4.1207.2011.0	2	[R]+[L]
556	4.1207.2047.0	2	[R]+[L]
557	9.1030.0004*2	6	M10 DIN 985-8
558	4.1217.0347.0	1	[R]
559	9.1030.0013*4	1	M12 DIN 985-8
560	9.1113.0125*5	1	M12x35 DIN 933-8.8



	type nummer type number numéro de type Typnummer	vanaf serienummer as from serial number après numéro de serie ab Seriennummer
OPTIMO 240 C	4.1207.0300.1	949 - 0501
OPTIMO 240 C	4.1207.0300.2	960 - 0501
OPTIMO 240 C	4.1207.0301.1	983 - 0501
OPTIMO 240 C	4.1207.0302.1	1012 - 0501
OPTIMO 240 C	4.1207.0303.1	10111 - 0501



E048-03-30

REF.	ONDERDEELNR. PART NUMBER REFERENCE TEILNUMMER	AANTAL QUANTITY QUANTITE ANZAHL
------	--	--

GLIJSLOFFEN (voorbereid voor maaibalk-steenbescherming) = 571
 SKIDS (prepared for cutter bar stone protection) = 571
 PATINS (préparés pour kit de protection anti-pierres) = 571
 GLEITKUFEN (für Mähbalken-Steinschutzsatz vorbereitet) = 571

571	4.1201.0420.0	6	
572	9.1114.0009*0	12	M10x30 8.8
573	9.1113.0267*0	6	M8x16 DIN 933-10.9
574	9.1051.0001*6	6	A8,2 DIN 6798 [//////]

579	4.1201.2004.0	6	3 mm Slijtplaten
	4.1201.2007.0	(6)	6 mm Wear plates
			Plaques d'usure
			Verschleissplatten

581	4.1201.0430.0	1x	[←125→]
582	9.1058.0027*4	2x	M10x25 DIN 603
583	9.1030.0004*2	2x	M10 DIN 985-8

REF.	ONDERDEELNR. PART NUMBER REFERENCE TEILNUMMER	AANTAL QUANTITY QUANTITE ANZAHL
------	--	--

591	4.1201.2480.0	1	Onder binnenschoen 501 [x] Underneath inner shoe 501 [x] Au-dessous du sabot intérieur [x] Unter Innenschuh 501 [x]
-----	---------------	---	---

591	4.1201.2470.0	4-6	A= 282 mm Onder glijslof 521 Underneath skid 521 Au-dessous du patin 521 Unter Gleitkufen 521
-----	---------------	-----	---

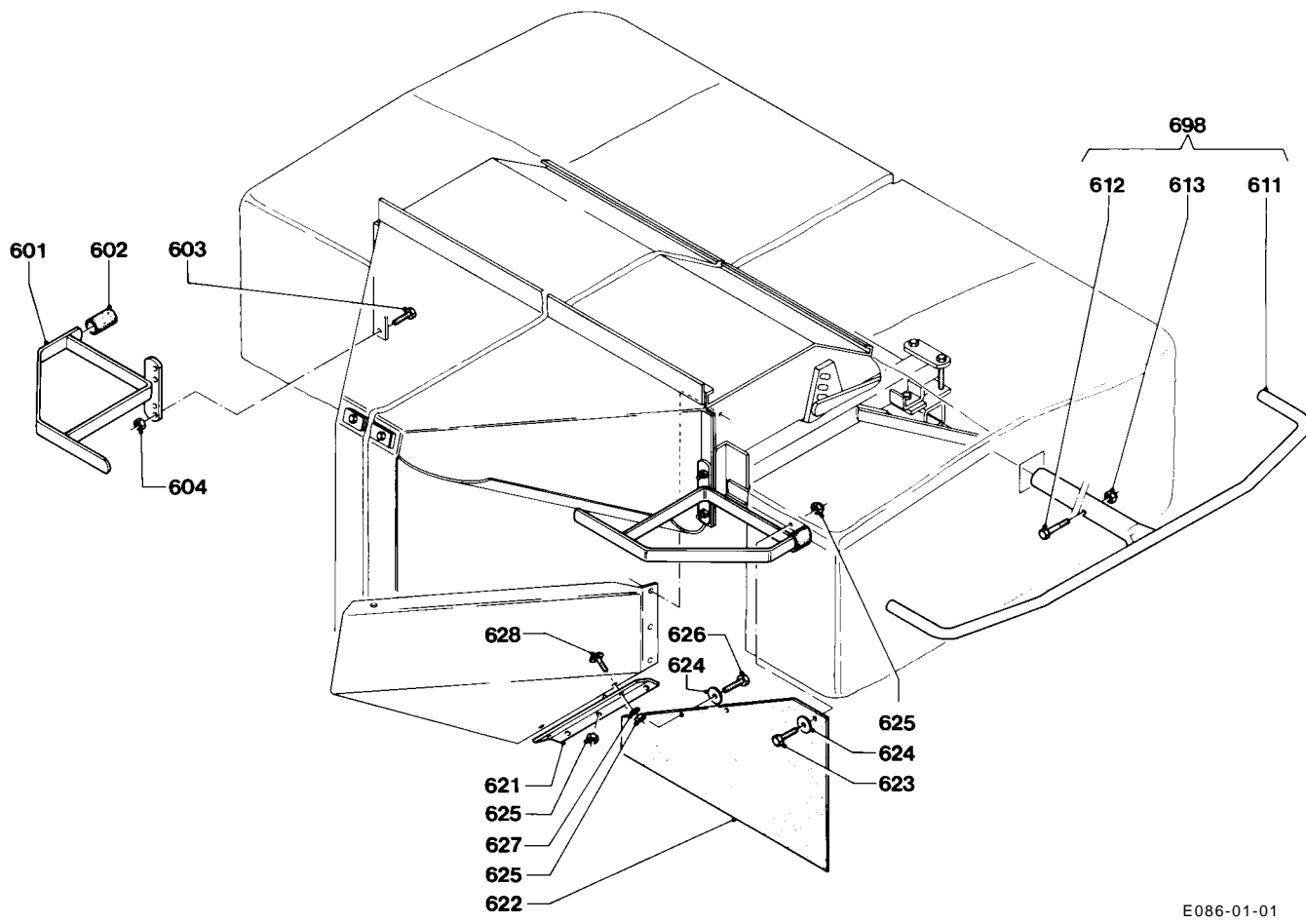
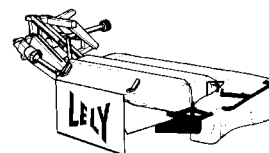
591	4.1201.2461.0	4-6	A= 252 mm Onder glijslof 531/571 Underneath skid 531/571 Au-dessous du patin 531/571 Unter Gleitkufen 531/571
-----	---------------	-----	--

592	4.1203.0000.7	1	= REF. 571-583 (6 mm)
-	4.1203.0000.6	1	= REF. 593

593	4.1201.0450.0	5	= REF. 581-583 [←125→]
-----	---------------	---	------------------------



	type nummer type number numéro de type Typnummer	vanaf serienummer as from serial number après numéro de série ab Seriennummer
OPTIMO 240 C	4.1207.0021.1	1008 - 0761



E086-01-01

REF.	ONDERDEELNR. PART NUMBER REFERENCE TEILNUMMER	AANTAL QUANTITY QUANTITE ANZAHL	
------	--	--	--

601	4.1207.2080.0	2	[R]+[L]
602	4.1207.2079.0	2	
603	9.1113.0128*1	4	M8x25 DIN 933-8.8
604	9.1030.0012*3	4	M8 DIN 985-8

611	4.1207.2060.0	1	
612	9.1113.0060*3	1	M12x75 DIN 931-8.8
613	9.1030.0013*4	1	M12 DIN 985-8

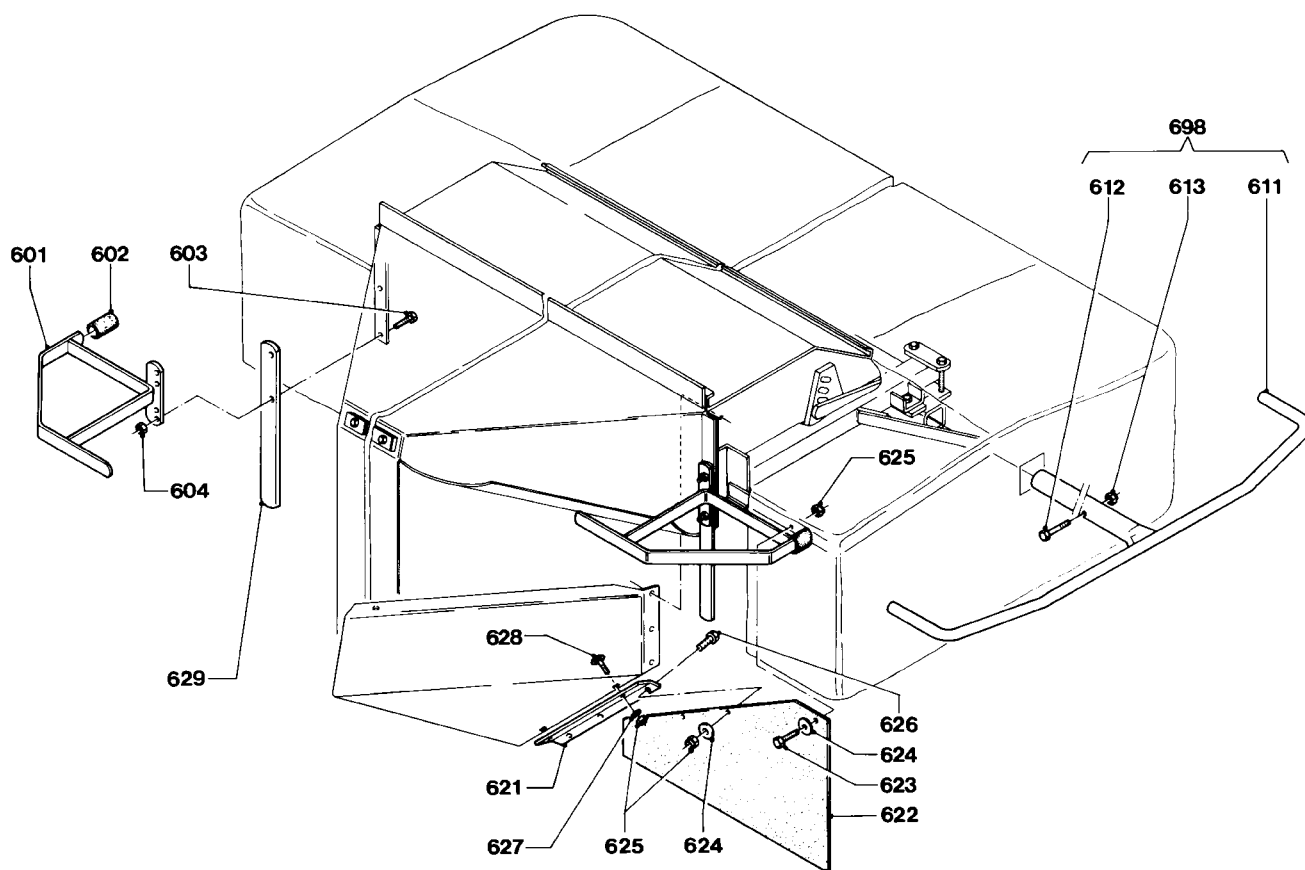
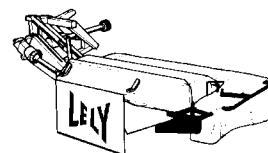
621	4.1207.1490.0	2	
622	4.1207.1491.0	2	
623	9.1113.0130*3	2	M8x30 DIN 933-8.8
624	9.1048.0005*6	8	A8,4 DIN 9021 []
625	9.1030.0012*3	12	M8 DIN 985-8
626	9.1113.0014*6	6	M8x20 DIN 933-8.8
627	9.1048.0004*5	4	A8,4 DIN 125 []
628	9.1058.0008*6	4	M8x20 DIN 603

REF.	ONDERDEELNR. PART NUMBER REFERENCE TEILNUMMER	AANTAL QUANTITY QUANTITE ANZAHL	
------	--	--	--

698	4.1207.2050.0	1	= REF. 611-613
-----	---------------	---	----------------

LELY

	type number type number numéro de type Typnummer	vanaf serienummer as from serial number après numéro de serie ab Seriennummer
OPTIMO 240 C	4.1207.0021.1	10110 - 0601



E086-02-01

REF.	ONDERDEELNR. PART NUMBER REFERENCE TEILNUMMER	AANTAL QUANTITY QUANTITE ANZAHL	
------	--	--	--

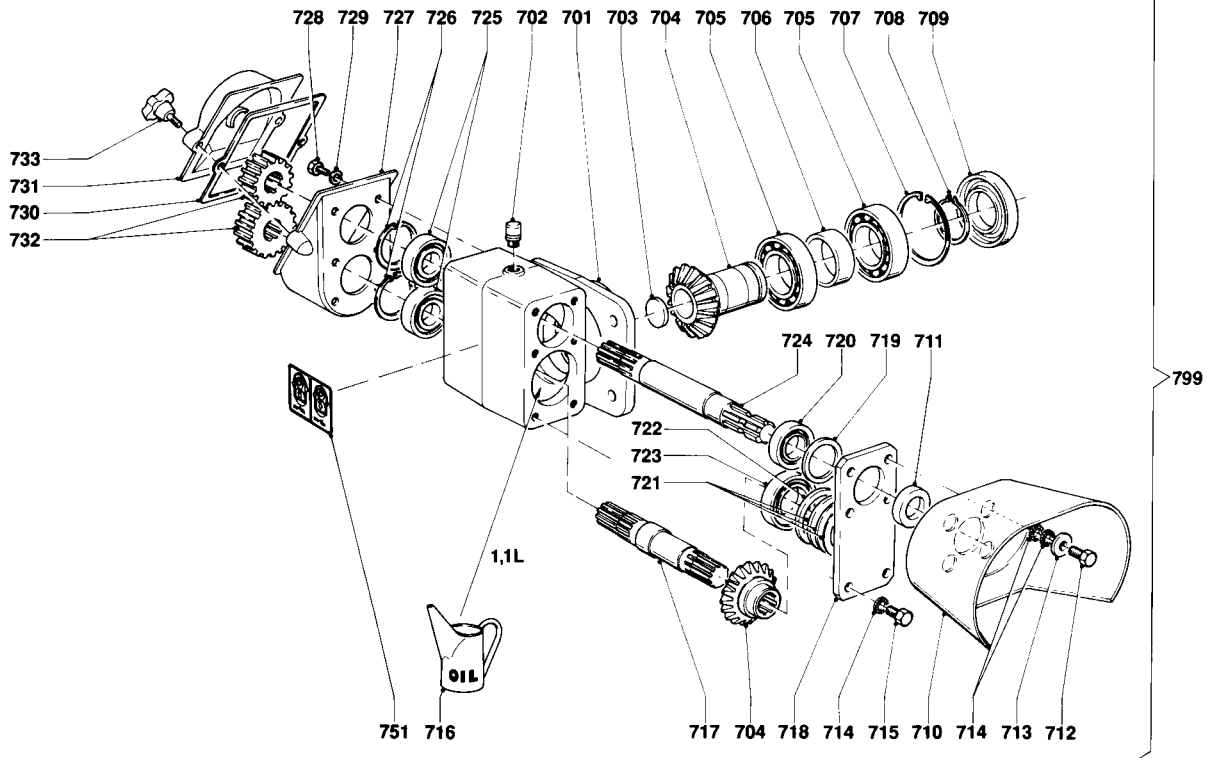
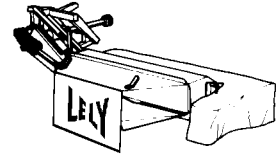
601	4.1207.2080.0	2	[R]+[L]
602	4.1207.2079.0	2	
603	9.1113.0128*1	4	M8x25 DIN 933-8.8
604	9.1030.0012*3	4	M8 DIN 985-8
611	4.1207.2060.0	1	
612	9.1113.0060*3	1	M12x75 DIN 931-8.8
613	9.1030.0013*4	1	M12 DIN 985-8
621	4.1207.1490.0	2	
622	4.1207.1491.0	2	
623	9.1113.0130*3	2	M8x30 DIN 933-8.8
624	9.1048.0005*6	8	A8,4 DIN 9021 []
625	9.1030.0012*3	12	M8 DIN 985-8
626	9.1113.0014*6	6	M8x20 DIN 933-8.8
627	9.1048.0004*5	4	A8,4 DIN 125 []
628	9.1058.0008*6	4	M8x20 DIN 603
629	4.1207.1488.0	2	

REF.	ONDERDEELNR. PART NUMBER REFERENCE TEILNUMMER	AANTAL QUANTITY QUANTITE ANZAHL	
------	--	--	--

698	4.1207.2050.0	1	= REF. 611-613
-----	---------------	---	----------------



	type nummer type number numéro de type Typnummer	vanaf serienummer as from serial number après numéro de serie ab Seriennummer
OPTIMO 240 C	4.1207.0020.1	932 - 0501
OPTIMO 240 C	4.1207.0031.2	960 - 0501
OPTIMO 240 C	4.1207.0220.1	963 - 0501



E014-03-00

REF.	ONDERDEELNR. PART NUMBER REFERENCE TEILNUMMER	AANTAL QUANTITY QUANTITE ANZAHL
------	--	--

701	4.1207.0219.0	1
702	1.1606.0022.0	1
703	4.1207.0216.0	1
704	4.1207.0215.1	1
705	9.1001.0077.6	2
706	4.1207.0218.0	1
707	9.1120.0014.6	1
708	9.1119.0016.2	1
709	9.1042.0051.2	1
710	4.1207.0212.0	1
711	9.1042.0052.3	1
712	9.1113.0029*0	4
713	9.1048.0008*2	4
714	9.1051.0002*0	10
715	9.1113.0027.5	2
716	9.1171.0044.6	(1,1 L)
717	4.1207.0214.0	1
718	4.1207.0213.0	1
719	9.1052.0004.1	1
720	9.1001.0074.3	1
721	4.1207.0211.0	1
722	9.1052.0010.0	1
723	9.1001.0023.1	1
724	2.3217.0021.0	1
725	9.1001.0062.5	2

REF.	ONDERDEELNR. PART NUMBER REFERENCE TEILNUMMER	AANTAL QUANTITY QUANTITE ANZAHL
------	--	--

726	9.1120.0005.4	2
727	2.3217.0019.0	1
728	9.1113.0013.5	6
729	9.1121.0010.1	6
730	2.3217.0026.0	1
731	2.3217.0020.0	1
732	2.3217.0035.1	1
733	9.1141.0009.1	2
751	9.1170.0163.0	1
799	4.1207.0200.0	1

62x2,00 DIN 472
M8x16 DIN 933-8.8
A8 DIN 127
16/19
M10x35 DIN 6336
16/19= 780 RPM
= REF. 701-733

[D+D]

[T+T]

[T+T]

[>|<]

[>|<]

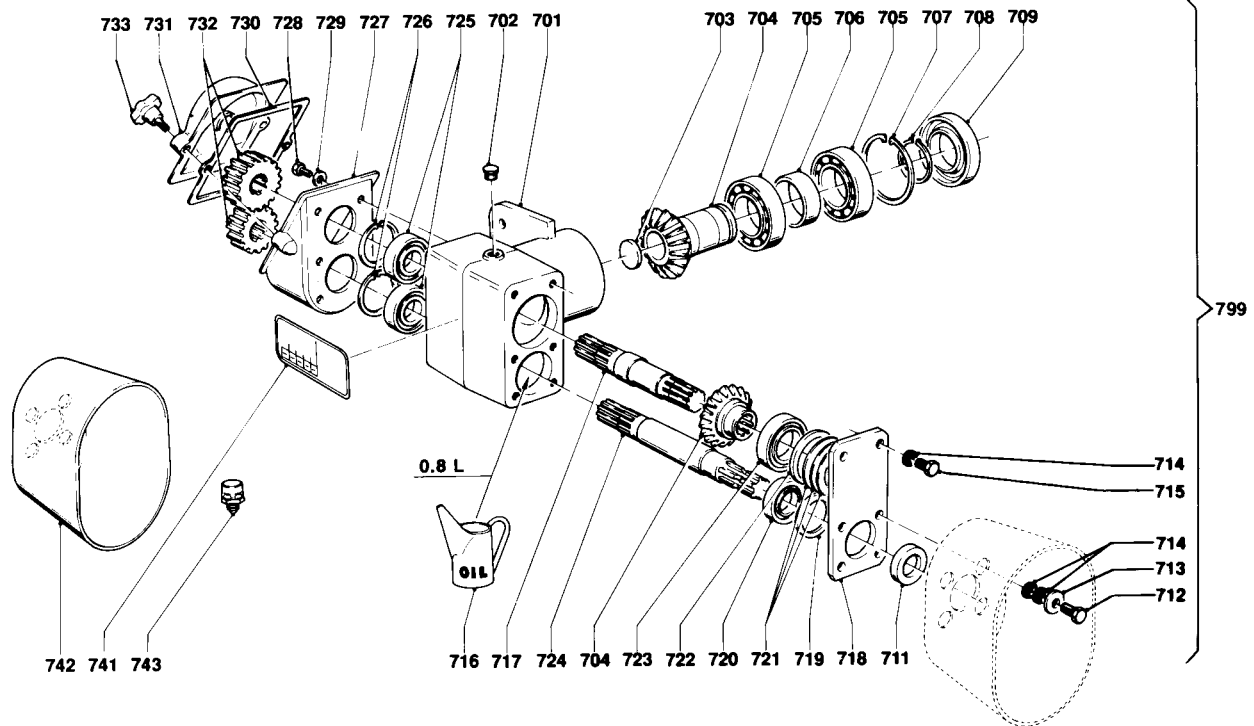
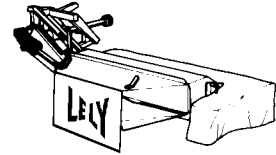
[]

[]

[]



	type nummer type number numéro de type Typnummer	vanaf serienummer as from serial number après numéro de série ab Seriennummer
OPTIMO 240 C	4.1207.0031.2	983 - 0501
OPTIMO 240 C	4.1207.0220.1	983 - 0501
OPTIMO 240 C	4.1207.0021.1	1002 - 0501



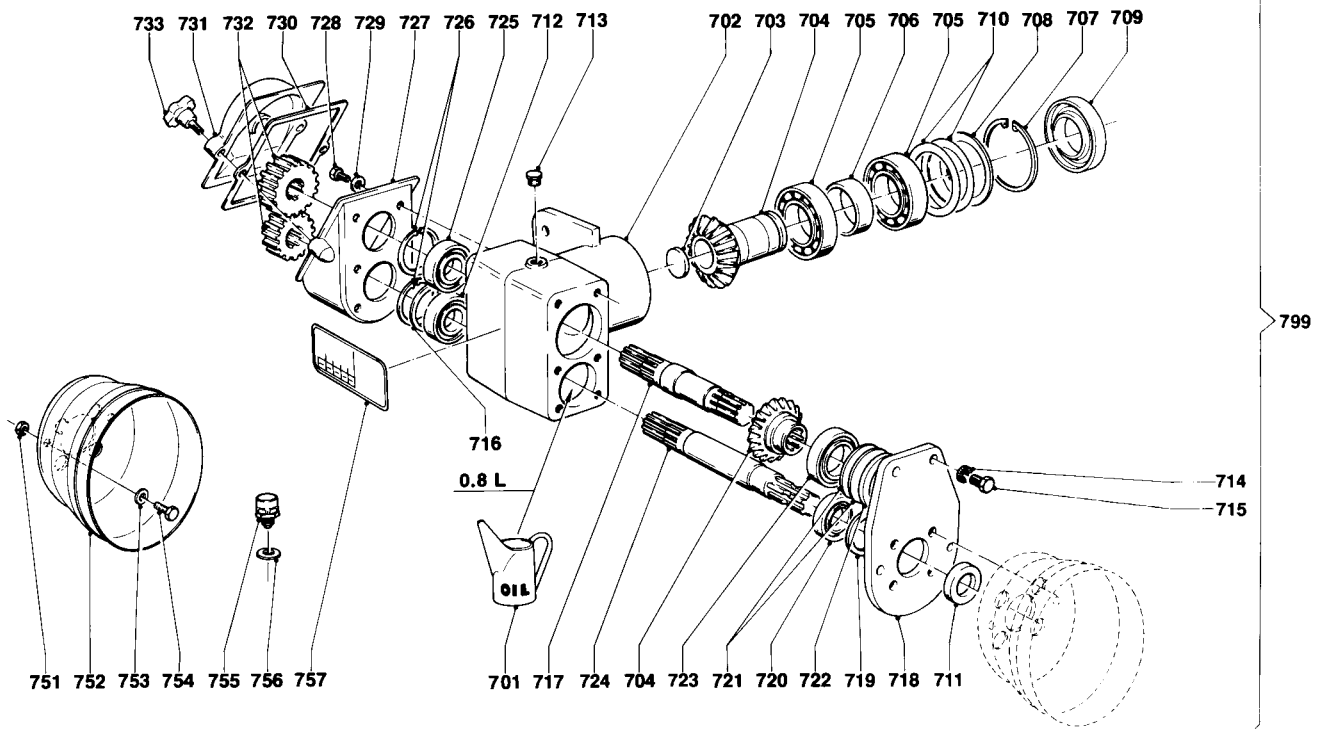
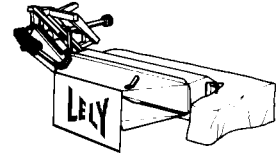
E050-02-00

REF.	ONDERDEELNR. PART NUMBER REFERENCE TEILNUMMER	AANTAL QUANTITY QUANTITE ANZAHL		
701	4.1217.0160.0	1		
702	9.1131.0003.5	1	G1/8" Stop(fen) Plug Bouchon	
703	4.1207.0216.0	1		
704	4.1207.0215.1	1		[T+T]
705	9.1001.0077.6	2	6210	
706	4.1207.0218.0	1		
707	9.1120.0014.6	1	90x3,00 DIN 472	
708	9.1119.0016.2	1	50x2,00 DIN 471	
709	9.1042.0051.2	1	50x90x10 DB	[>]◀
711	9.1042.0052.3	1	30x50x8 CB	[>]◀
712	9.1113.0029*0	4	M10x25 DIN 933-8.8	
713	9.1048.0008*2	4	A10,5 DIN 9021	[—]
714	9.1051.0002*0	10	A10,5 DIN 6798	[////]
715	9.1113.0027*5	2	M10x20 DIN 933-8.8	
716	9.1171.0044.6	(0,8 L)	0,7L GP80 W90 ESSO	
717	4.1207.0214.0	1		
718	4.1207.0213.0	1		
719	9.1052.0004.1	1	S45x55x3 DIN 988	
720	9.1001.0082.4	1	6006-C3	
721	4.1207.0211.0	1		[D+D]
722	9.1052.0010.0	1	S55x68x3 DIN 988	
723	9.1001.0023.1	1	6008	
724	2.3217.0021.0	1		
725	9.1001.0062.5	2	6206-C4	

REF.	ONDERDEELNR. PART NUMBER REFERENCE TEILNUMMER	AANTAL QUANTITY QUANTITE ANZAHL		
726	9.1120.0005.4	2	62x2,00 DIN 472	
727	2.3217.0019.0	1		
728	9.1113.0013.5	6	M8x16 DIN 933-8.8	
729	9.1121.0010.1	6	A8 DIN 127	[—]
730	2.3217.0026.0	1		
731	2.3217.0020.0	1		
732	2.3217.0035.1	(1)	16/19	[T+T]
	2.3217.0033.1	(1)	15/20	[T+T]
733	9.1141.0009.1	2	M10x35 DIN 6336	
741	9.1170.0316.6	1	"Z1-Z2= .. RPM"	
742	4.1207.0212.0	1		
743	1.1606.0022.0	1	G1/8" SLW 16 Ontluchter / Breather Reniflard / Entlüfter	
799	4.1217.0150.1	1	= REF. 701-733	



	type nummer type number número de type Typnummer	vanaf serienummer as from serial number après numéro de serie ab Seriennummer
OPTIMO 240 C	4.1207.0021.1	10110 - 0601



E050-04-00

REF.	ONDERDEELNR. PART NUMBER REFERENCE TEILNUMMER	AANTAL QUANTITY QUANTITE ANZAHL		
------	--	--	--	--

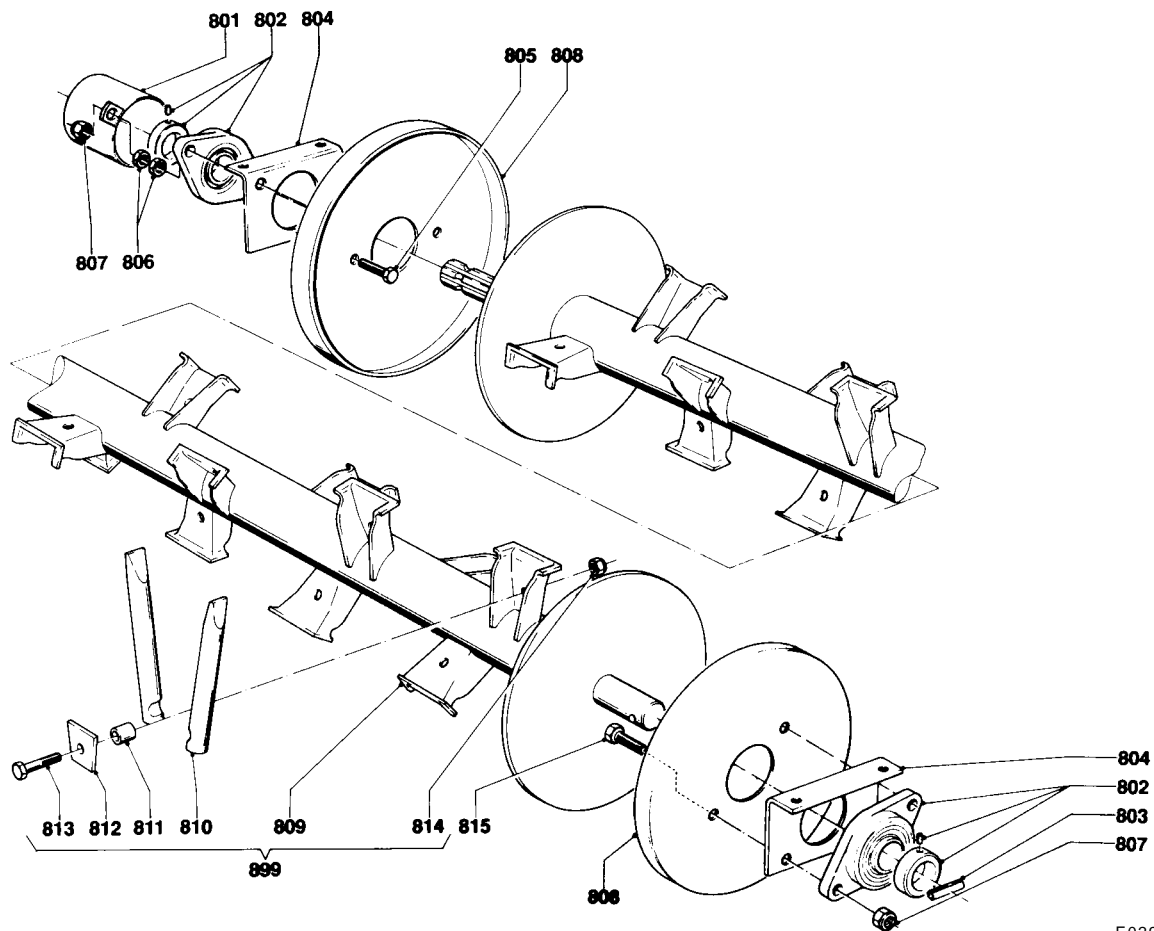
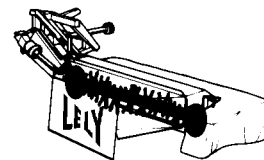
701	9.1171.0044.6	(0,8L)	0,7L GP80 W90 ESSO	
702	4.1217.0160.0	1		
703	4.1207.0216.0	1		
704	4.1207.0215.1	1		[T+T]
705	9.1001.0077.6	2	6210	
706	4.1217.0166.0	1		
707	9.1120.0014.6	1	90x3,00 DIN 472	
708	9.1093.0067.2	1	70x90x0,5 DIN 988	[]
709	9.1042.0051.2	1	50x90x10 DB	[>] <
710	4.1201.0310.0	(1)		[D+D]
711	9.1042.0052.3	1	30x50x8 CB	[>] <
712	9.1001.0134.0	1	6206 2RS1-C4	
713	9.1131.0003.5	1	1/8" Stop(fen) Plug Bouchon	
714	9.1051.0002*0	6	A10,5 DIN 6798	[]
715	9.1113.0029*0	6	M10x25 DIN 933-8.8	
716	9.1093.0035.5	~	50x62x0,3 DIN 988	[]
717	4.1207.0214.0	1		
718	4.1217.0168.0	1		
719	4.1217.0167.0	1		
720	9.1001.0082.4	1	6006 C3	
721	4.1207.0211.0	(1)		[D+D]
722	9.1052.0010.0	1	55x68x3,0 DIN 988	[]
723	9.1001.0023.1	1	6008	
724	2.3217.0021.0	1		
725	9.1001.0062.5	1	6206 C4	

REF.	ONDERDEELNR. PART NUMBER REFERENCE TEILNUMMER	AANTAL QUANTITY QUANTITE ANZAHL		
------	--	--	--	--

726	9.1120.0005.4	2	62x2,00 DIN 472	
727	2.3217.0019.0	1		
728	9.1113.0013*5	6	M8x15 DIN 933-8.8	
729	9.1121.0010.1	6	A8 DIN 127	[]
730	2.3217.0026.0	1		
731	2.3217.0020.0	1		
732	2.3217.0033.1	1	15/20	[T+T]
	2.3217.0035.1	(1)	16/19	[T+T]
733	9.1141.0009.1	2	M10x35 DIN 6336	
751	9.1030.0004*2	2	M10 DIN 985-8	
752	4.1217.0169.0	1		
753	9.1048.0051.3	2	A10,5 DIN 125	[]
754	9.1113.0120*0	2	M10x30 DIN 933-8.8	
755	9.1150.0014.4	1	G1/8" Ontluchter / Breather Reniflard / Entlüfter	
756	9.1137.0405.2	1	Ø10,5x17x1,5 Cu	[]
757	9.1170.0316.6	1	"Z1-Z2= ... RPM"	
799	4.1217.0150.1	1	= REF. 701-733	

LELY

	type number type number numéro de type Typnummer	vanaf serienummer as from serial number après numéro de serie ab Seriennummer
OPTIMO 240 C	4.1207.0020.1	953 - 0501
OPTIMO 240 C	4.1207.0031.2	960 - 0501



E029-04-01

REF.	ONDERDEELNR. PART NUMBER REFERENCE TEILNUMMER	AANTAL QUANTITY QUANTITE ANZAHL	
------	--	--	--

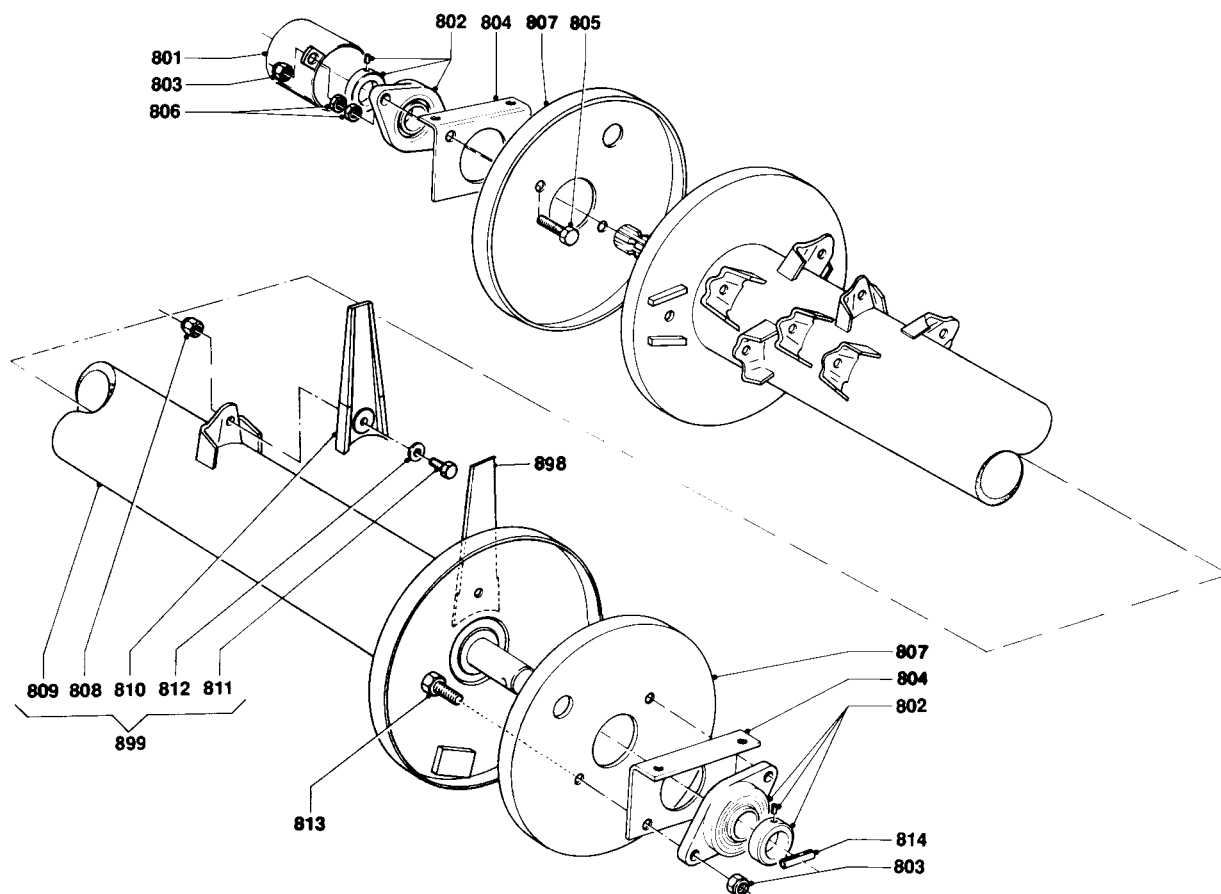
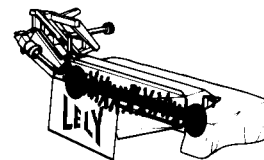
801	4.1207.0071.0	1	
802	9.1008.0018.3	2	FYTB 35FM-C3
803	9.1070.0027*6	1	Ø10x45 DIN 1481
804	4.1207.0086.0	2	
805	9.1113.0247*1	2	M14x70 DIN 933-8.8
806	9.1029.0012*4	4	M14 DIN 934-8
807	9.1030.0015*6	4	M14 DIN 985-8
808	4.1207.0087.0	2	
809	4.1207.0042.0	1	
810	4.1207.0090.0	84	
811	4.1207.0089.0	42	
812	4.1207.0088.0	42	
813	9.1113.0033*4	42	M10x45 DIN 931-8.8
814	9.1030.0004*2	42	M10 DIN 985-8
815	9.1113.0142.1	2	M14x40 DIN 933-8.8

REF.	ONDERDEELNR. PART NUMBER REFERENCE TEILNUMMER	AANTAL QUANTITY QUANTITE ANZAHL	
------	--	--	--

899	4.1207.0031.1	1	= REF. 809-814
-----	---------------	---	----------------



	type number type number numéro de type Typnummer	vanaf serienummer as from serial number après numéro de serie ab Seriennummer
OPTIMO 240 C	4.1207.0031.2	983 - 0501



E029-06-00

REF.	ONDERDEELNR. PART NUMBER REFERENCE TEILNUMMER	AANTAL QUANTITY QUANTITE ANZAHL
------	--	--

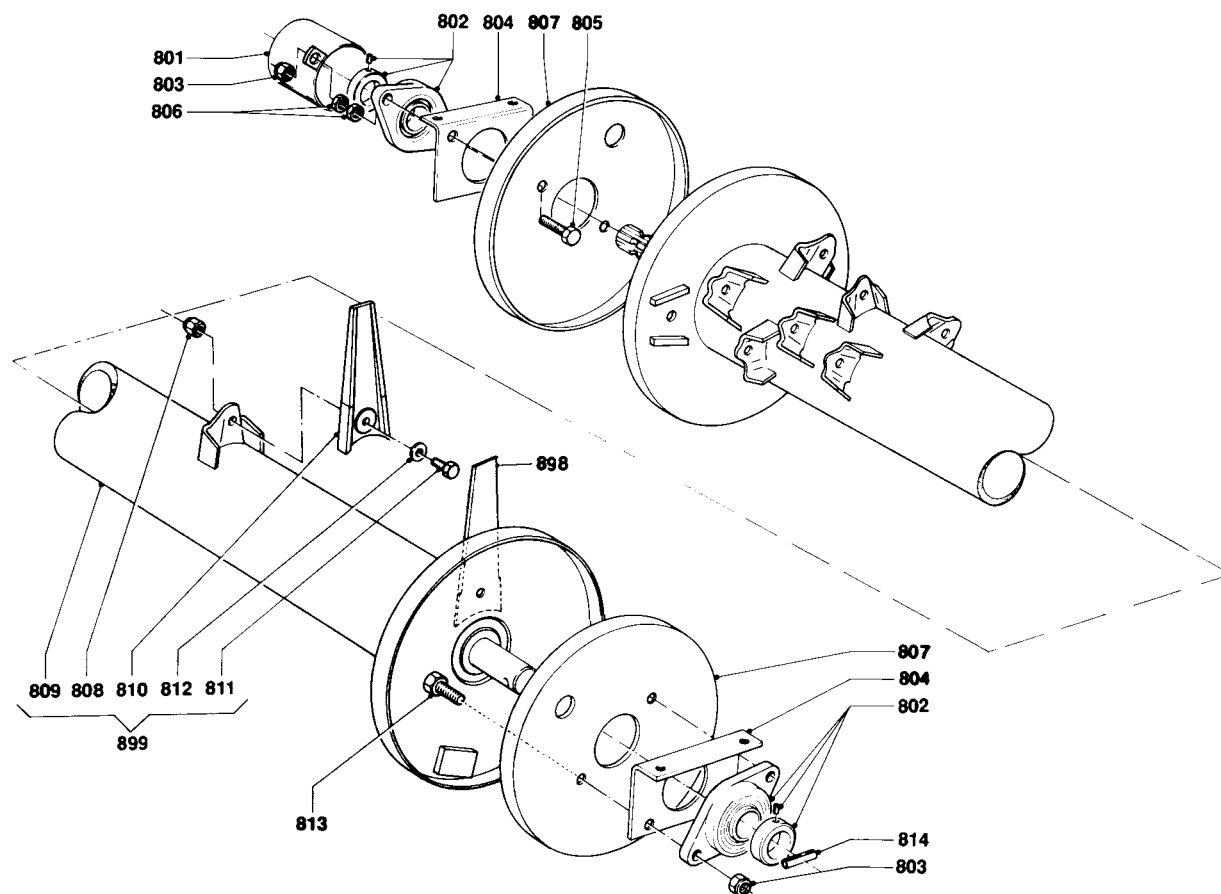
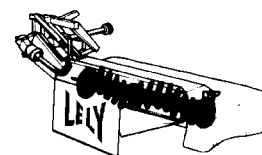
801	4.1207.0071.0	1
802	9.1008.0018.3	2
803	9.1070.0039*4	1
804	4.1217.0120.0	2
805	9.1113.0247*1	2
806	9.1029.0012*4	4
807	9.1030.0015*6	4
808	4.1207.0087.0	2
809	4.1207.0042.0	1
810	4.1207.0090.0	84
811	4.1207.0089.0	42
812	4.1207.0088.0	42
813	9.1113.0033*4	42
814	9.1030.0004*2	42+4
815	9.1113.0142.1	2
816	9.1113.0120*0	4

REF.	ONDERDEELNR. PART NUMBER REFERENCE TEILNUMMER	AANTAL QUANTITY QUANTITE ANZAHL
------	--	--

899	4.1207.0031.1	1	= REF. 809-814
-----	---------------	---	----------------



	type number type number numéro de type Typnummer	vanaf serienummer as from serial number après numéro de serie ab Seriennummer
OPTIMO 240 C	4.1207.0220.1	963 - 0501



E036-01-10

REF.	ONDERDEELNR. PART NUMBER REFERENCE TEILNUMMER	AANTAL QUANTITY QUANTITE ANZAHL
------	--	--

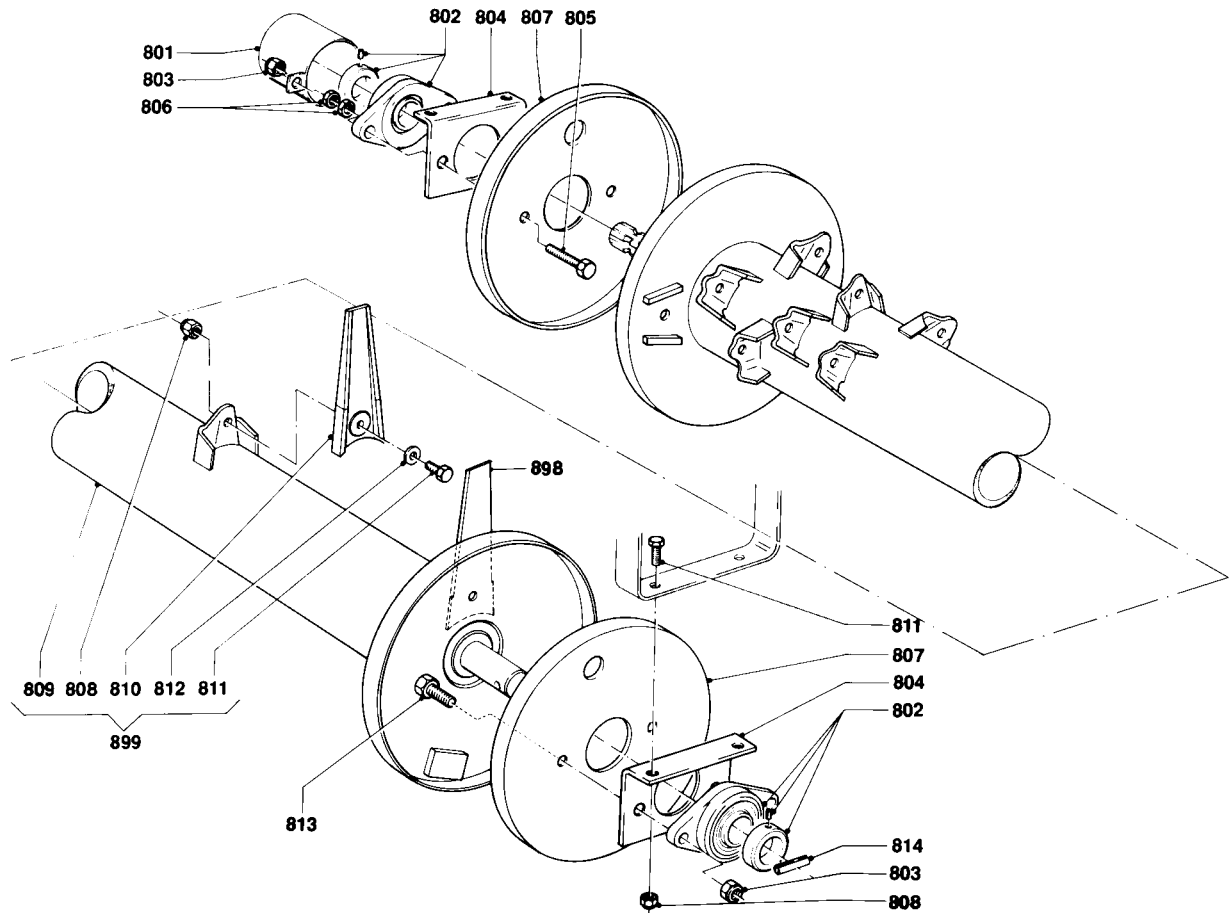
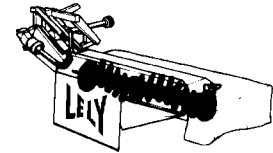
801	4.1207.0071.0	1
802	9.1008.0018.3	2
803	9.1030.0015*6	4
804	4.1207.0086.0	2
805	9.1113.0247*1	2
806	9.1029.0012*4	4
807	4.1207.0229.0	2
808	9.1030.0004*2	84
809	4.1207.0230.0	1
810	4.1207.0228.0	84
811	9.1113.0120.0	84
812	9.1048.0008*2	84
813	9.1113.0142*1	2
814	9.1070.0027*6	1

REF.	ONDERDEELNR. PART NUMBER REFERENCE TEILNUMMER	AANTAL QUANTITY QUANTITE ANZAHL
------	--	--

898	4.1207.0269.0	(1)
		1x [R] Mes-kneusvinger
		1x [R] Knife flail
		1x [R] Fléau à couteau
		1x [R] Messerschlegel
899	4.1207.0222.1	1
		= REF. 808-812



	type number type number numéro de type Typnummer	vanaf serienummer as from serial number après numéro de serie ab Serienummer
OPTIMO 240 C	4.1207.0220.1	983 - 0501
OPTIMO 240 C	4.1207.0021.1	1002 - 0501



E036-03-00

REF.	ONDERDEELNR. PART NUMBER REFERENCE TEILNUMMER	AANTAL QUANTITY QUANTITE ANZAHL
------	--	--

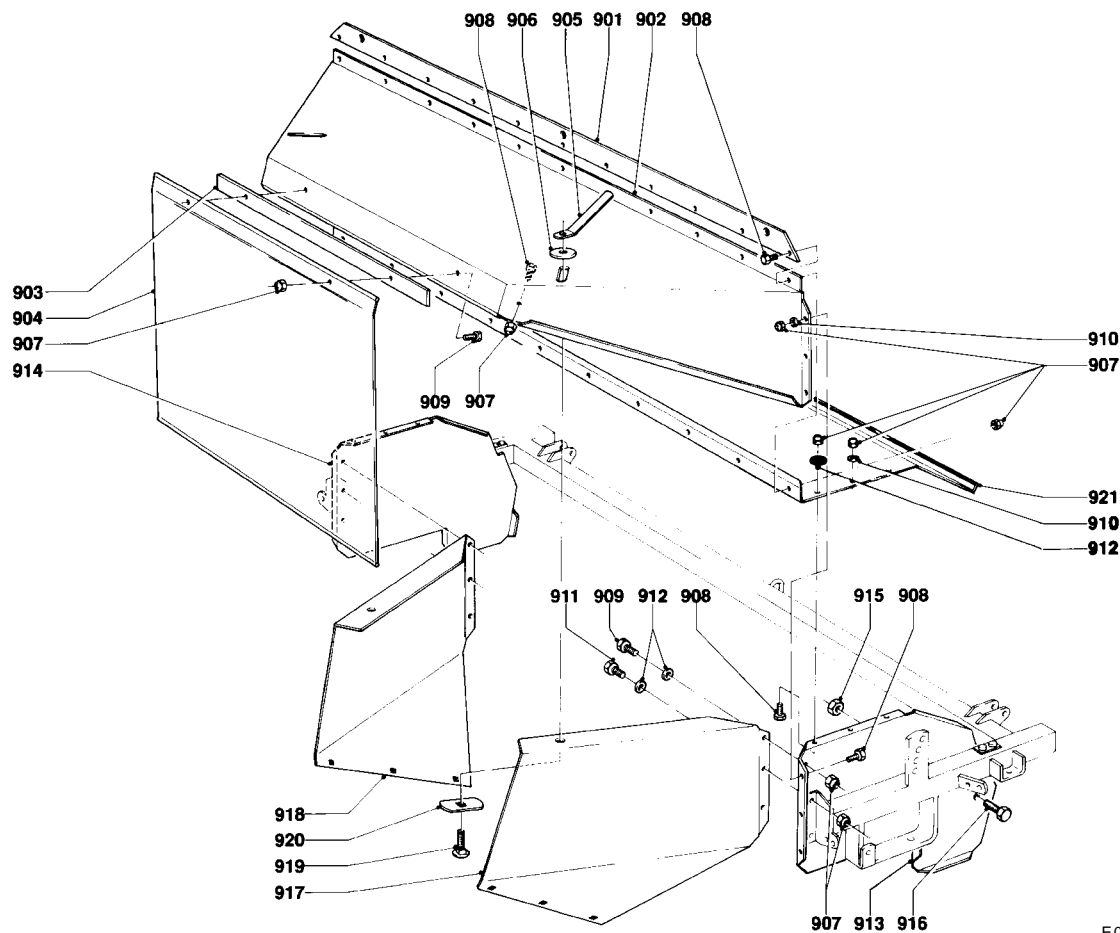
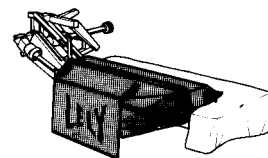
801	4.1207.0071.0	1
802	9.1008.0018.3	2
803	9.1030.0015*6	4
804	4.1217.0120.0	2
805	9.1113.0247*1	2
806	9.1029.0012*4	4
807	4.1207.0229.0	2
808	9.1030.0004*2	84+4
809	4.1207.0230.0	1
810	4.1207.0228.0	84
811	9.1113.0029.0	82
	9.1113.0120.0	2+4
812	9.1048.0008*2	84
813	9.1113.0142*1	2
814	9.1070.0039*4	1

REF.	ONDERDEELNR. PART NUMBER REFERENCE TEILNUMMER	AANTAL QUANTITY QUANTITE ANZAHL
------	--	--

898	4.1207.0269.0	(1)
		1x [R] Mes-kneusvinger
		1x [R] Knife flail
		1x [R] Fléau à couteau
		1x [R] Messerschlegel
899	4.1207.0222.1	1
		= REF. 808-812



	type number type number numéro de type Typnummer	vanaf serienummer as from serial number après numéro de serie ab Serienummer
OPTIMO 240 C	4.1207.0020.1	957 - 0571
OPTIMO 240 C	4.1207.0031.2	960 - 0501
OPTIMO 240 C	4.1207.0220.1	963 - 0501



E013-06-10

REF.	ONDERDEELNR. PART NUMBER REFERENCE TEILNUMMER	AANTAL QUANTITY QUANTITE ANZAHL
------	--	--

901	4.1207.0193.0	1
902	4.1207.0180.0	1
903	4.1207.0198.0	1
904	4.1207.0199.0	1
905	4.1207.0184.0	2

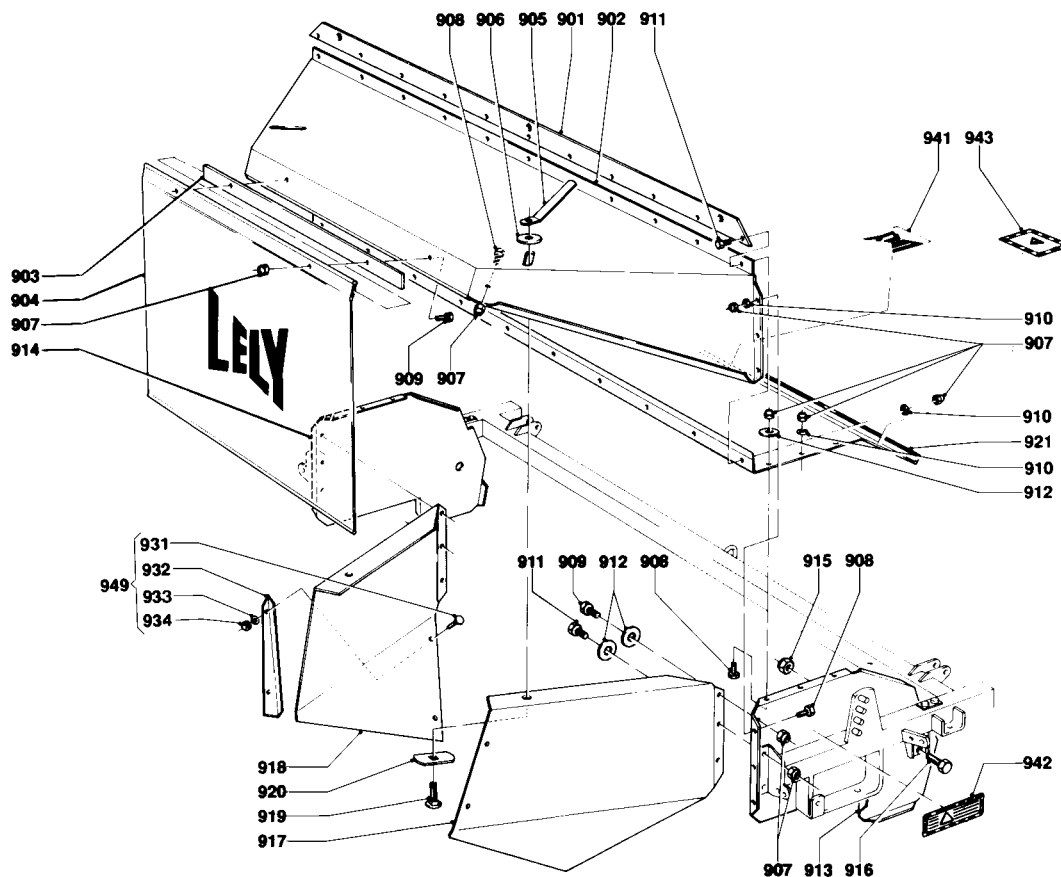
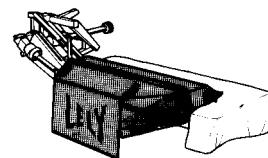
906	9.1048.0041*0	2	A13 DIN 9021	[]
907	9.1030.0012*3	37	M8 DIN 985-8	
908	9.1113.0013*5	20	M8x16 DIN 933-8.8	
909	9.1113.0014*6	15	M8x20 DIN 933-8.8	
910	9.1048.0004*5	23	8,4 DIN 125	[]
911	9.1113.0128*1	4	M8x25 DIN 933-8.8	
912	9.1048.0005*6	10	A8,4 DIN 9021	[]
913	4.1207.0102.0	1	[R]	
914	4.1207.0101.0	1	[L]	
915	9.1030.0013*4	2	M12 DIN 985-8	

916	9.1113.0049*6	2	M12x25 DIN 933-8.8	
917	4.1207.0167.0	1	[R]	
918	4.1207.0177.0	1	[L]	
919	9.1058.0018*2	2	M12x30 DIN 603	
920	4.1208.0292.0	2		
921	4.1207.0192.0	1		

REF.	ONDERDEELNR. PART NUMBER REFERENCE TEILNUMMER	AANTAL QUANTITY QUANTITE ANZAHL
------	--	--

LELY

	type number type number numéro de type Typnummer	vanaf serienummer as from serial number après numéro de serie ab Serienummer
OPTIMO 240 C	4.1207.0031.2	983 - 0501
OPTIMO 240 C	4.1207.0220.1	983 - 0501
OPTIMO 240 C	4.1207.0021.1	1002 - 0501



E013-08-00

REF.	ONDERDEELNR. PART NUMBER REFERENCE TEILNUMMER	AANTAL QUANTITY QUANTITE ANZAHL		
------	--	--	--	--

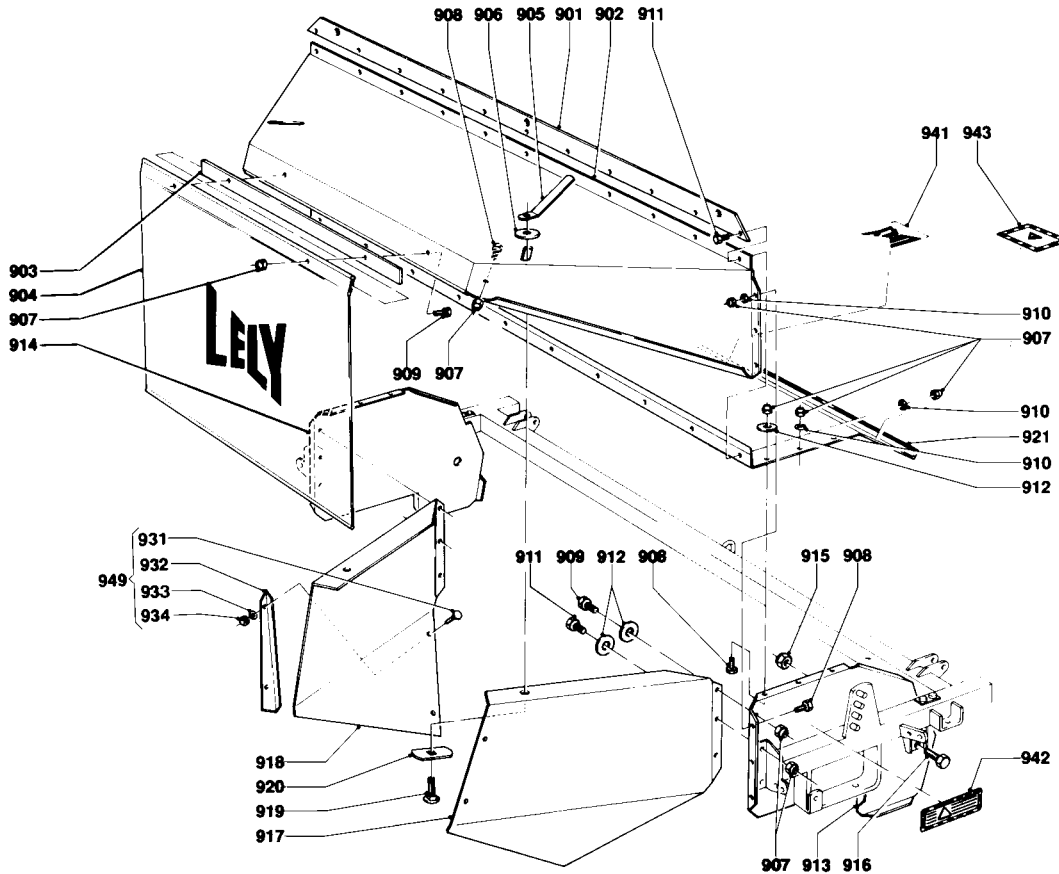
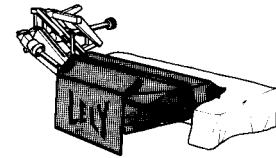
901	4.1207.0193.0	1		
902	4.1207.0180.0	1		
903	4.1207.0198.0	1		
904	4.1207.0199.0	1		
905	4.1207.0184.0	2		
906	9.1048.0041*0	2	A13 DIN 9021	[]
907	9.1030.0012*3	37	M8 DIN 985-8	
908	9.1113.0013*5	18	M8x16 DIN 933-8.8	
909	9.1113.0014*6	4	M8x20 DIN 933-8.8	
910	9.1048.0004*5	23	8,4 DIN 125	[]
911	9.1113.0128*1	15	M8x25 DIN 933-8.8	
912	9.1048.0005*6	10	A8,4 DIN 9021	[]
913	4.1207.0102.0	1	[R]	
914	4.1207.0101.0	1	[L]	
915	9.1030.0013*4	2	M12 DIN 985-8	
916	9.1113.0049*6	2	M12x25 DIN 933-8.8	
917	4.1207.0167.0	1	[R]	
918	4.1207.0177.0	1	[L]	
919	9.1058.0018*2	2	M12x30 DIN 603	
920	4.1208.0292.0	2		
921	4.1207.0192.0	1		

REF.	ONDERDEELNR. PART NUMBER REFERENCE TEILNUMMER	AANTAL QUANTITY QUANTITE ANZAHL		
------	--	--	--	--

931	9.1058.0021*5	4	M8x15 DIN 603	
932	4.1207.2138.0	1	[L]	
	4.1207.2139.0	1	[R][x]	
933	9.1030.0012*3	4	M8 DIN 985-8	
934	9.1048.0007*1	4	A10,5 DIN 125	[]
941	9.1170.0001.6	1	"LELY"	
942	9.1170.0052.1	1	"LET OP DRAAIENDE DELEN"	
943	9.1170.0124.3	1	"NEEM VEILIGHEID IN ACHT"	
949	4.1207.2130.0	(1)	= REF. 931-934	



	type nummer type number numéro de type Typnummer	vanaf serienummer as from serial number après numéro de serie ab Seriennummer
OPTIMO 240 C	4.1207.0021.1	10110 - 0601



E013-08-00

REF.	ONDERDEELNR. PART NUMBER REFERENCE TEILNUMMER	AANTAL QUANTITY QUANTITE ANZAHL
------	--	--

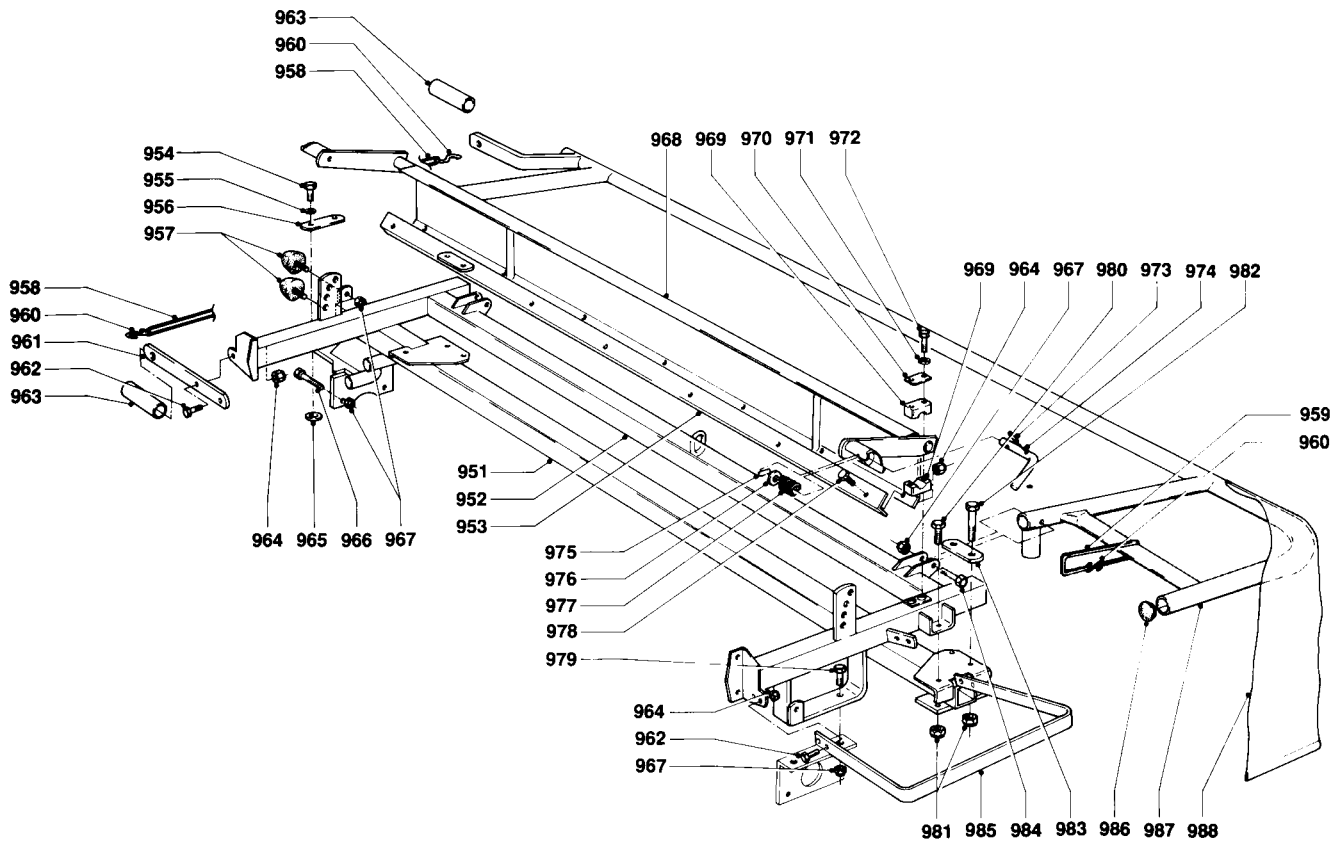
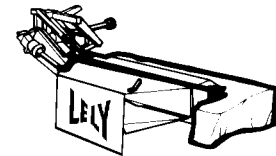
901	4.1207.0193.0	1
902	4.1207.0180.0	1
903	4.1207.0198.0	1
904	4.1207.0199.0	1
905	4.1207.0184.0	2
906	9.1048.0041*0	2 A13 DIN 9021 []
907	9.1030.0012*3	37 M8 DIN 985-8
908	9.1113.0013*5	18 M8x16 DIN 933-8.8
909	9.1113.0014*6	4 M8x20 DIN 933-8.8
910	9.1048.0004*5	23 8,4 DIN 125 []
911	9.1113.0128*1	15 M8x25 DIN 933-8.8
912	9.1048.0005*6	10 A8,4 DIN 9021 []
913	4.1207.0102.0	1 [R]
914	4.1207.0101.0	1 [L]
915	9.1030.0013*4	2 M12 DIN 985-8
916	9.1113.0049*6	2 M12x25 DIN 933-8.8
917	4.1207.0166.0	1 [R]
918	4.1207.0174.0	1 [L]
919	9.1058.0018*2	2 M12x30 DIN 603
920	4.1208.0292.0	2
921	4.1207.0192.0	1

REF.	ONDERDEELNR. PART NUMBER REFERENCE TEILNUMMER	AANTAL QUANTITY QUANTITE ANZAHL
------	--	--

931	9.1058.0021*5	4 M8x15 DIN 603
932	4.1207.2138.0	1 [L]
	4.1207.2139.0	1 [R][x]
933	9.1030.0012*3	4 M8 DIN 985-8
934	9.1048.0007*1	4 A10,5 DIN 125 []
941	9.1170.0001.6	1 "LELY"
942	9.1170.0052.1	1 "LET OP; DRAAIENDE DELEN"
943	9.1170.0124.3	1 "NEEM VEILIGHEID IN ACHT"
949	4.1207.2130.0	(1) = REF. 931-934



	type nummer type number numéro de type Typnummer	vanaf serienummer as from serial number après numéro de serie ab Seriennummer
OPTIMO 240 C	4.1207.0020.1	957 - 0571
OPTIMO 240 C	4.1207.0031.2	960 - 0501
OPTIMO 240 C	4.1207.0220.1	963 - 0501



E046-01-00

REF.	ONDERDEELNR. PART NUMBER REFERENCE TEILNUMMER	AANTAL QUANTITY QUANTITE ANZAHL
------	--	--

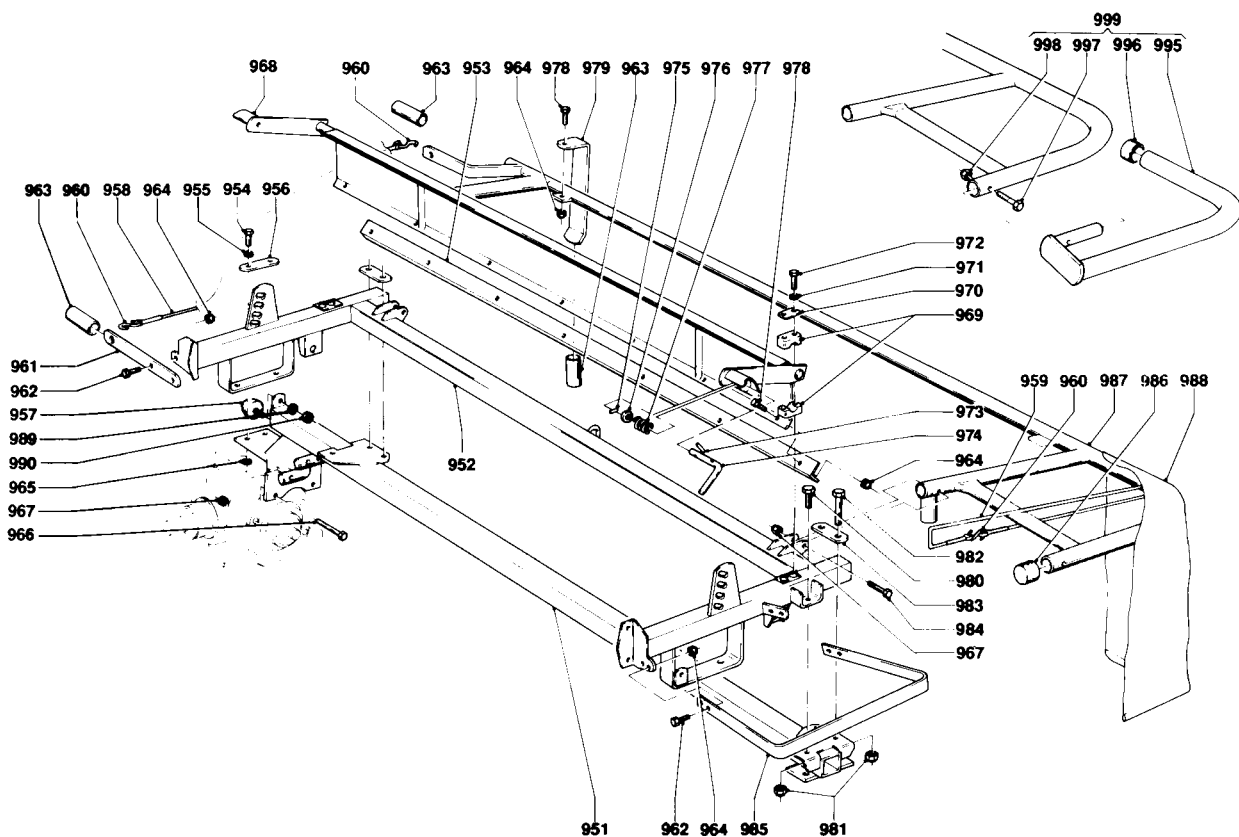
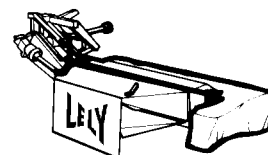
951	4.1207.0500.0	1
952	4.1207.0107.0	1
953	4.1207.0183.0	1
954	9.1113.0178*2	2
955	9.1051.0005*3	2
		M14x35 DIN 933-8.8
		A14,5 DIN 6798
		[//////]
956	4.1201.1479.0	1
957	9.1105.0001.1	2
		M10x32
958	9.1054.0003.5	3
		Ø8 L= 260 mm
959	9.1054.0004.6	2
		Ø8 L= 400 mm
960	9.1147.0005*5	5
961	4.1207.0185.0	1
962	9.1113.0130*3	6
		M8x30 DIN 933-8.8
963	4.1207.2079.0	2
964	9.1030.0012*3	13
		M8 DIN 985-8
965	9.1048.0053*5	2
		A15 DIN 125
		[——]
966	9.1113.0156*1	3
		M10x85 DIN 931-8.8
967	9.1030.0004*2	10
		M10 DIN 985-8
968	4.1207.0131.0	1
969	9.1137.0904.4	2
		Cpl.
970	9.1137.0905.5	2
971	9.1051.0001*6	4
		A8,4 DIN 6798
		[//////]
972	9.1113.0106*0	4
		M6x40 DIN 931-8.8
973	9.1070.0017*3	2
		Ø6x30 DIN 1481
974	4.1207.0188.0	2
975	9.1070.0049*0	2
		Ø6x24 DIN 1481

REF.	ONDERDEELNR. PART NUMBER REFERENCE TEILNUMMER	AANTAL QUANTITY QUANTITE ANZAHL
------	--	--

976	9.1048.0012*6	2
		A13 DIN 125
		[——]
977	4.1002.0093.0	2
978	9.1113.0014.6	7
		M8x20 DIN 933-8.8
979	9.1113.0120.0	4
		M10x30 DIN 933-8.8
980	9.1113.0125*5	2
		M12x35 DIN 933-8.8
981	9.1030.0013*4	2
		M12 DIN 985-8
982	9.1113.0063*6	4
		M12x85 DIN 931-8.8
983	4.1207.0190.0	2
984	9.1113.0038*2	2
		M10x60 DIN 931-8.8
985	4.1207.0195.0	1
986	9.1108.0059.1	2
		Ø34
987	4.1207.0141.0	1
988	4.1207.0182.0	1

LELY

	type nummer type number numéro de type Typnummer	vanaf serienummer as from serial number après numéro de serie ab Seriennummer
OPTIMO 240 C	4.1207.0031.2	983 - 0501
OPTIMO 240 C	4.1207.0220.1	983 - 0501
OPTIMO 240 C	4.1207.0021.1	1002 - 0501



E046-05-00

REF.	ONDERDEELNR. PART NUMBER REFERENCE TEILNUMMER	AANTAL QUANTITY QUANTITE ANZAHL
------	--	--

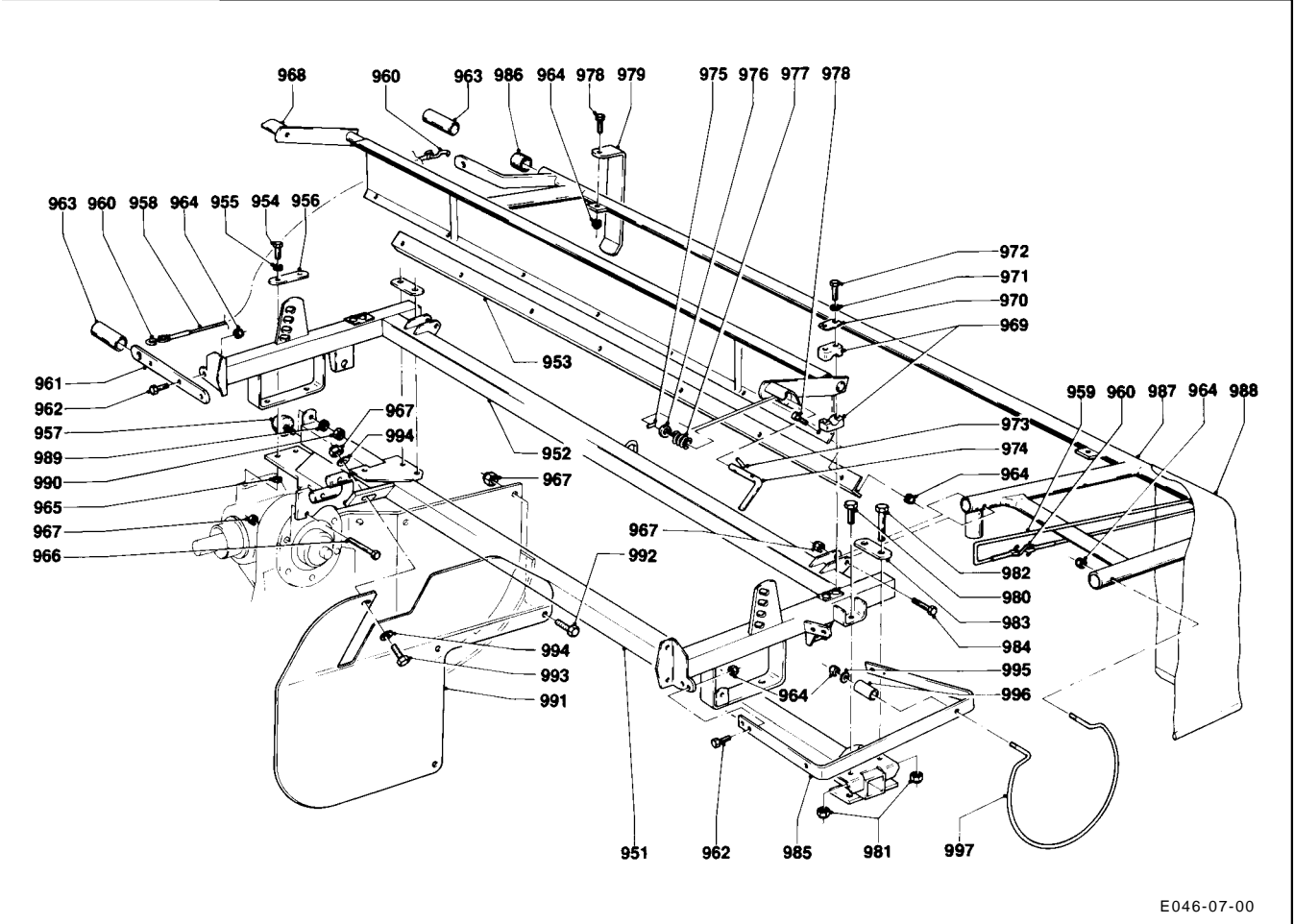
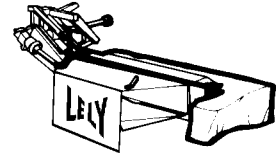
951	4.1207.0500.0	1
952	4.1207.0107.0	1
953	4.1207.0183.0	1
954	9.1113.0178*2	2 M14x35 DIN 933-10.9
955	9.1051.0005*3	2 A14,5 DIN 6798 [//////]
956	4.1201.1479.0	1
957	9.1105.0011.4	2 M10x28
958	4.1207.1493.0	1 Ø8 L= 580 mm
959	4.1207.0175.0	2 Ø8 L= 690 mm
960	9.1147.0005*5	4
961	4.1207.0185.0	1
962	9.1113.0130*3	6 M8x30 DIN 933-8.8
963	4.1207.2079.0	5
964	9.1030.0012*3	16 M8 DIN 985-8
965	9.1048.0053*5	2 A15 DIN 125 [——]
966	9.1113.0156*1	3 M10x85 DIN 931-10.9
967	9.1030.0004*2	4 M10 DIN 985-8
968	4.1207.0131.0	1
969	9.1137.0904.4	2 Cpl.
970	9.1137.0905.5	2
971	9.1051.0006.4	4 A6,4 DIN 6798 [//////]
972	9.1113.0106*0	4 M6x40 DIN 931-8.8
973	9.1070.0017*3	2 Ø6x30 DIN 1481
974	4.1207.0188.0	2
975	9.1070.0049*0	2 Ø6x24 DIN 1481

REF.	ONDERDEELNR. PART NUMBER REFERENCE TEILNUMMER	AANTAL QUANTITY QUANTITE ANZAHL
------	--	--

976	9.1048.0012*6	2 A13 DIN 125 [——]
977	4.1002.0093.0	2
978	9.1113.0014*6	10 M8x20 DIN 933-8.8
979	4.1211.0287.0	3
980	9.1113.0125*5	2 M12x35 DIN 933-8.8
981	9.1030.0013*4	6 M12 DIN 985-8
982	9.1113.0063*6	4 M12x85 DIN 931-8.8
983	4.1207.0190.0	2
984	9.1113.0038*2	2 M10x60 DIN 931-8.8
985	4.1207.0195.0	1
986	9.1108.0059.1	2 Ø34
987	4.1207.0141.0	1
988	4.1207.0182.0	1
989	9.1051.0002*0	1 A10,5 DIN 6798 [//////]
990	9.1029.0005*4	1 M10 DIN 934-8
995	4.1201.2430.0	1
996	9.1108.0059.1	1 Ø34
997	9.1113.0035*6	1 M10x50 DIN 931-8.8
998	9.1030.0004*2	1 M10 DIN 985-8
999	4.1201.2440.0	1 = REF. 995-998 Zeildoekbeschermer Cover protection bracket Protection bâche Planenschutzbügel



	type nummer type number numéro de type Typnummer	vanaf serienummer as from serial number après numéro de serie ab Seriennummer
OPTIMO 240 C	4.1207.0021.1	10110 - 0601



E046-07-00

REF.	ONDERDEELNR. PART NUMBER REFERENCE TEILNUMMER	AANTAL QUANTITY QUANTITE ANZAHL
------	--	--

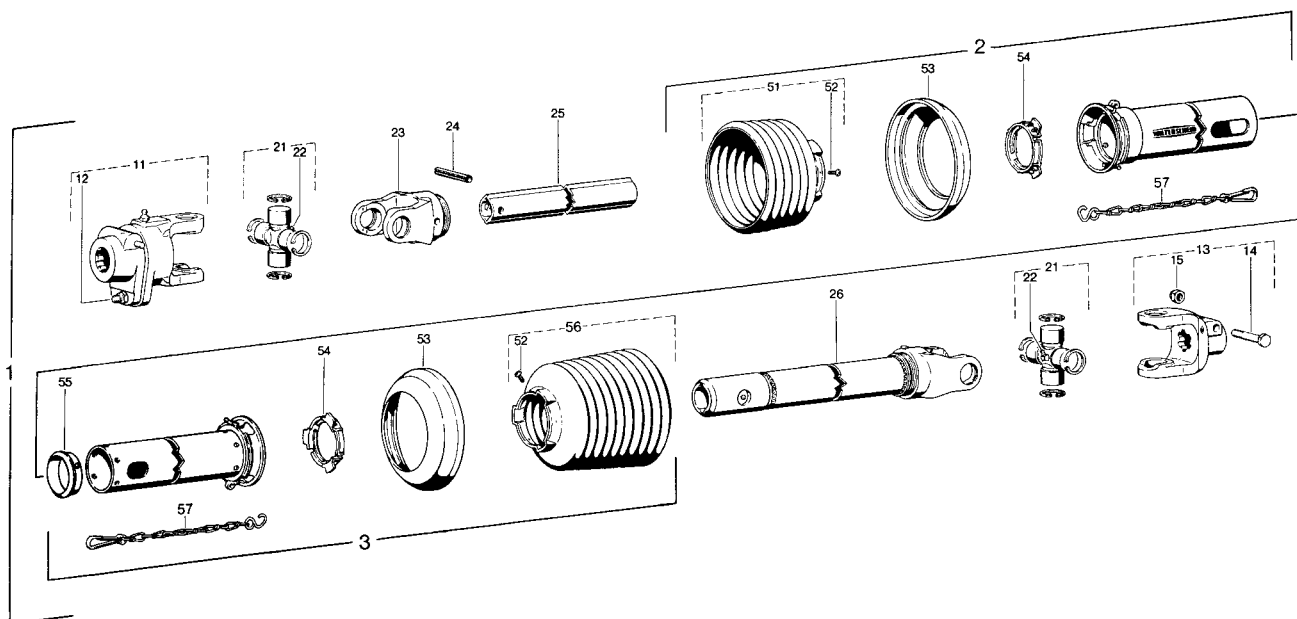
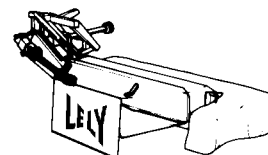
951	4.1207.0501.0	1
952	4.1207.0107.0	1
953	4.1207.0183.0	1
954	9.1113.0178*2	2 M14x35 DIN 933-10.9
955	9.1051.0005*3	2 A14,5 DIN 6798 [//////]
956	4.1201.1479.0	1
957	9.1105.0011.4	2 M10x28
958	4.1210.1498.0	1 Ø8 L= 700 mm
959	4.1207.0175.0	2 Ø8 L= 690 mm
960	9.1147.0005*5	4
961	4.1207.0185.0	1
962	9.1113.0130*3	6 M8x30 DIN 933-8.8
963	4.1207.2079.0	2
964	9.1030.0012*3	16 M8 DIN 985-8
965	9.1048.0053*5	2 A15 DIN 125 [——]
966	9.1113.0156*1	2 M10x85 DIN 931-10.9
967	9.1030.0004*2	8 M10 DIN 985-8
968	4.1207.0131.0	1
969	9.1137.0904.4	2 Cpl.
970	9.1137.0905.5	2
971	9.1051.0006.4	4 A6,4 DIN 6798 [//////]
972	9.1113.0106*0	4 M6x40 DIN 931-8.8
973	9.1070.0017.3	2 Ø6x30 DIN 1481
974	4.1207.0188.0	2
975	9.1070.0049.0	2 Ø6x24 DIN 1481

REF.	ONDERDEELNR. PART NUMBER REFERENCE TEILNUMMER	AANTAL QUANTITY QUANTITE ANZAHL
------	--	--

976	9.1048.0012*6	2 A13 DIN 125 [——]
977	4.1002.0093.0	2
978	9.1113.0014*6	10 M8x20 DIN 933-8.8
979	4.1211.0287.0	3
980	9.1113.0125*5	2 M12x35 DIN 933-8.8
981	9.1030.0013*4	6 M12 DIN 985-8
982	9.1113.0063*6	4 M12x85 DIN 931-8.8
983	4.1207.0190.0	2
984	9.1113.0038*2	2 M10x60 DIN 931-8.8
985	4.1207.0195.0	1
986	9.1108.0059.1	1 Ø34
987	4.1207.0141.0	1
988	4.1207.0182.0	1
989	9.1051.0002*0	1 A10,5 DIN 6798 [//////]
990	9.1029.0005*4	1 M10 DIN 934-8
991	4.1207.1489.0	1
992	9.1113.0027*5	3 M10x20 DIN 933-8.8
993	9.1113.0029*0	1 M10x25 DIN 933-8.8
994	9.1048.0007*1	2 A10,5 DIN 125 [——]
995	9.1048.0004*5	1 A8,4 DIN 125 [——]
996	9.1073.0014.4	1
997	4.1210.1496.0	1

LELY

	type nummer type number número de type Typnummer	vanaf serienummer as from serial number après numéro de serie ab Seriennummer
OPTIMO 240 C	4.1207.0031.2	968 - 0664
OPTIMO 240 C	4.1207.0220.1	968 - 0526
OPTIMO 240 C	4.1207.0021.1	1002 - 0501



Ew002-02-01

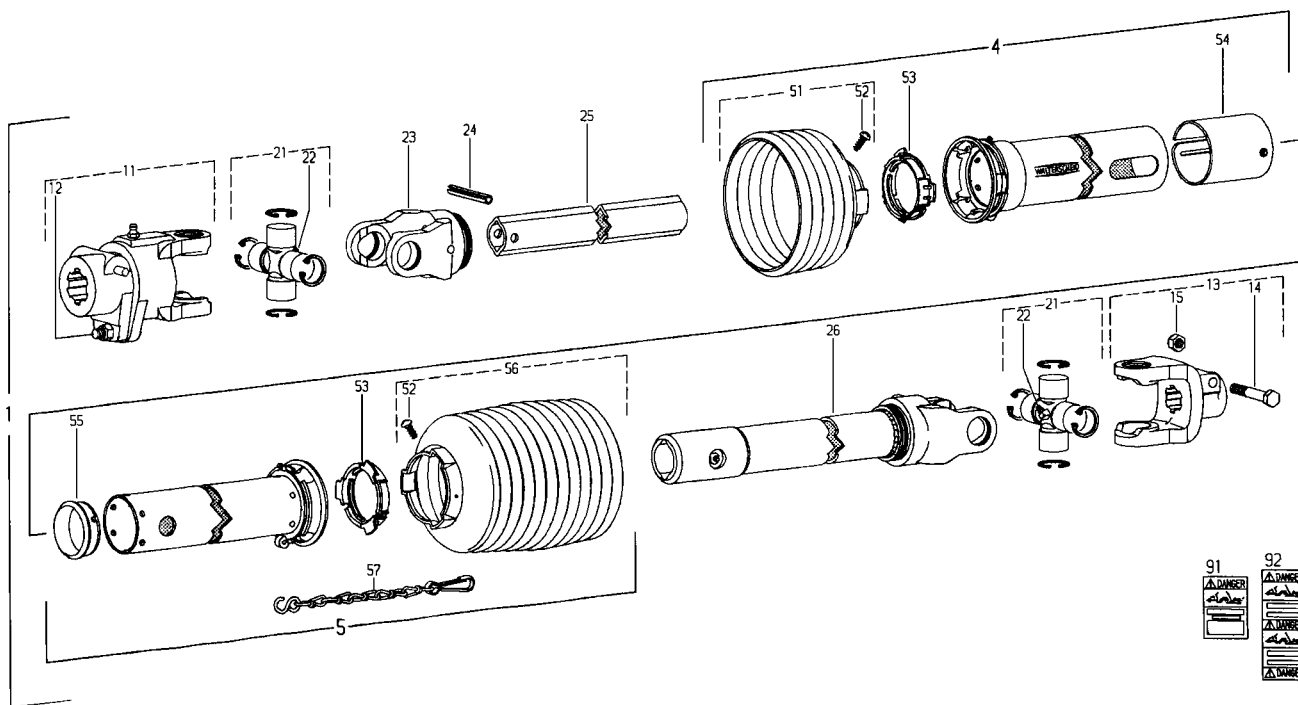
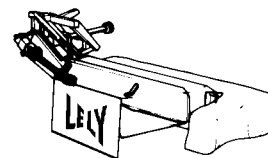
REF.	ONDERDEELNR. PART NUMBER REFERENCE TEILNUMMER	AANTAL QUANTITY QUANTITE ANZAHL	
------	--	--	--

1	9.1154.0098.0	1	W2200N-SC15Z-550-K61/1 = REF. 2-57
2	85.117	1	SDH 15-A; L= 380 mm
3	85.121	1	SDH 15Z-J; L= 375 mm
11	57.100.12	1	K61/1 - 1.1/8" (6) M= 910Nm
12	9.1113.0205*1	10	M8x35 DIN 933-8.8
	9.1030.0012*3	10	M8 DIN 985-8
13	20.10.02	1	1.3/8" (6)
14	9.1113.0057*0	1	M12x60 DIN 931-8.8
15	9.1030.0013*4	1	M12 DIN 985-8
21	20.00.00	2	
22	63.27.00	2	M8x1
23	20.11.00	1	RG 2200-Ov
24	61.05.04	1	Ø10x65 DIN 1481
25	75.11.66	1	Ov geh.; L= 470 mm
26	20.12.132	1	WELG 2200-1n; L= 475 mm
51	85.15.04	1	n= 4
52	60.15.00	2	4x10
53	82.85.00	2	
54	82.83.06	2	
55	82.83.106	1	SC 15 Z
56	85.15.10	1	n= 10
57	82.36.03	2	

REF.	ONDERDEELNR. PART NUMBER REFERENCE TEILNUMMER	AANTAL QUANTITY QUANTITE ANZAHL	
------	--	--	--



	type nummer type number numéro de type Typnummer	vanaf serienummer as from serial number après numéro de série ab Seriennummer
OPTIMO 240 C	4.1207.0021.1	10110 - 0601



Ew002-04-01

REF.	ONDERDEELNR. PART NUMBER REFERENCE TEILNUMMER	AANTAL QUANTITY QUANTITE ANZAHL	
------	--	--	--

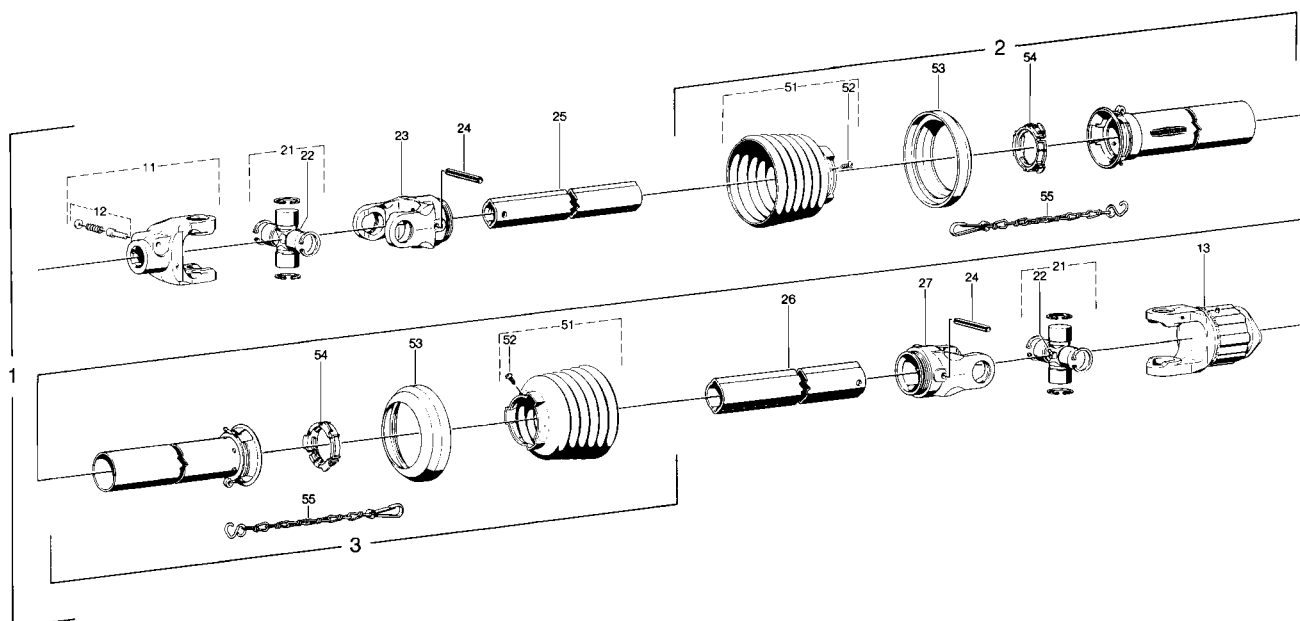
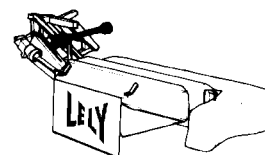
1	9.1154.0098.0	1	W2200N-SC15Z-550-K61/1 = REF. 11-92
4	85.152	1	SCH 15-A; L= 380 mm
5	85.165	1	SCH 15Z-J; L= 370 mm
11	57.100.12	1	K61/1 - 1.1/8" (6) M= 910Nm
12	9.1113.0205*1	10	M8x35 DIN 933-8.8
	9.1030.0012*3	10	M8 DIN 985-8
13	20.10.02	1	1.3/8" (6)
14	9.1113.0057*0	1	M12x60 DIN 931-8.8
15	9.1030.0013*4	1	M12 DIN 985-8
21	20.00.00	2	
22	63.27.00	2	BM 8x1
23	20.11.00	1	RG 2200-Ov
24	61.05.04	1	Ø10x65 DIN 1481
25	75.11.66	1	OvH; L= 470 mm
26	20.12.132	1	WELG 2200-1nH; L= 475 mm
51	85.15.04	1	n= 4
52	60.15.00	2	4x10
53	82.83.06	2	
54	80.61.104	1	
55	82.83.106	1	SC 15Z
56	85.15.10	1	n= 10
57	82.36.03	1	
91	38.33.33	1	"DANGER; ROTATING DRIVELINE"
92	38.33.34	1	"DANGER; SHIELD MISSING DO NOT OPERATE"

REF.	ONDERDEELNR. PART NUMBER REFERENCE TEILNUMMER	AANTAL QUANTITY QUANTITE ANZAHL	
------	--	--	--

91	38.33.33	1	"DANGER; ROTATING DRIVELINE"
92	38.33.34	1	"DANGER; SHIELD MISSING DO NOT OPERATE"

LELY

	type number type number numéro de type Typnummer	vanaf serienummer as from serial number après numéro de serie ab Seriennummer
OPTIMO 240 C	4.1207.0300.1	932 - 0501
OPTIMO 240 C	4.1207.0300.2	960 - 0501



Ew001-03-01

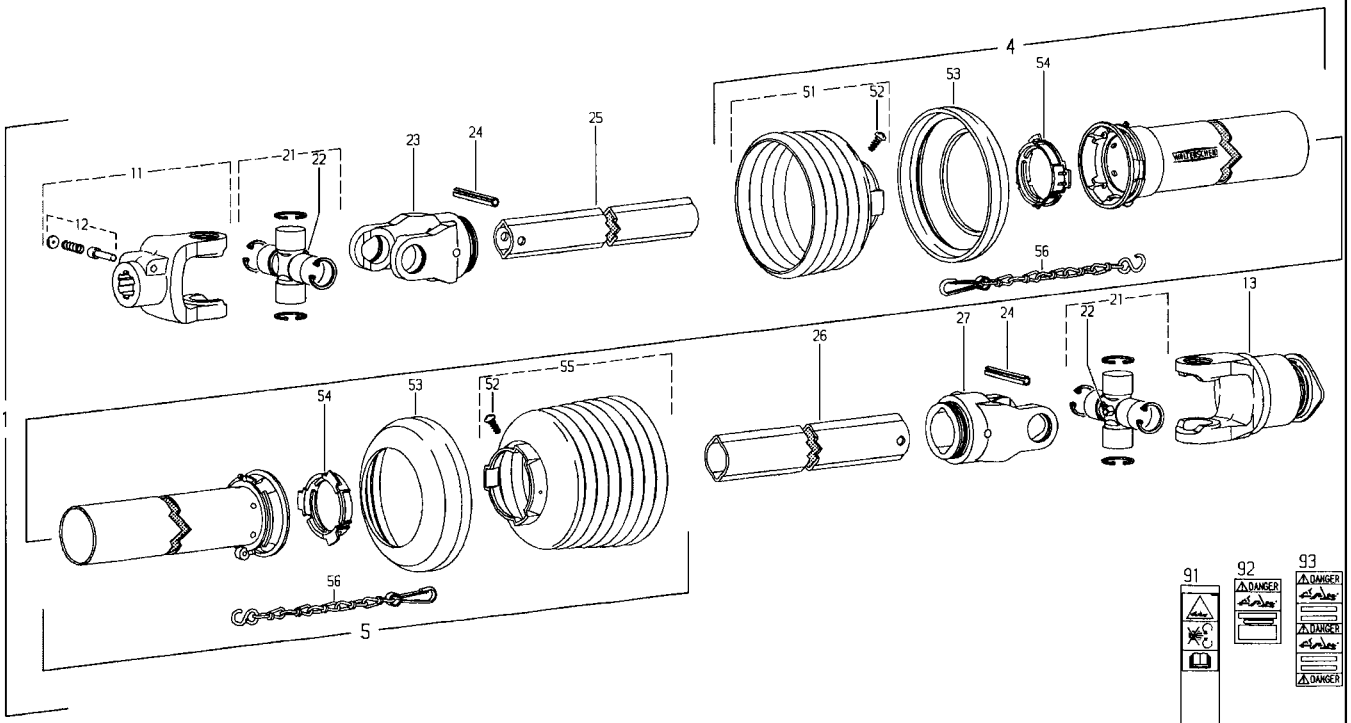
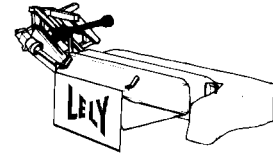
REF.	ONDERDEELNR. PART NUMBER REFERENCE TEILNUMMER	AANTAL QUANTITY QUANTITE ANZAHL	
------	--	--	--

1	9.1154.0083.6	1	W2400-SD25F-860-F3R = REF. 2-56
2	85.207	1	SDH25F; L= 645 mm
3	85.204	1	SDH25; L= 640 mm
11	35.10.00	1	1.3/8" (6)
12	33.91.07	1	AGRASET 101
13	55.181.02	1	F3R-2400-1.3/8" (6)
21	35.00.00	2	
22	63.27.00	2	M8x1
23	35.13.00	1	RG2400-1b
24	61.05.08	2	Ø10x80 DIN 1481
25	75.25.95	1	1bGA; L= 740 mm
26	75.36.15	1	2aG; L= 715 mm
27	35.14.00	1	RG2400-2a
51	85.25.06	1	
52	60.15.00	2	4x10
53	82.85.00	2	
54	82.83.04	2	
55	82.36.03	2	
56	85.25.08	1	

REF.	ONDERDEELNR. PART NUMBER REFERENCE TEILNUMMER	AANTAL QUANTITY QUANTITE ANZAHL	
------	--	--	--



	type nummer type number numéro de type Typnummer	vanaf serienummer as from serial number après numéro de serie ab Seriennummer
OPTIMO 240 C	4.1207.0300.2	960 - 0501
OPTIMO 240 C	4.1207.0301.1	982 - 0501
OPTIMO 240 C	4.1207.0302.1	1012 - 0501
OPTIMO 240 C	4.1207.0303.1	10111 - 0501



Ew001-06-00

REF.	ONDERDEELNR. PART NUMBER REFERENCE TEILNUMMER	AANTAL QUANTITY QUANTITE ANZAHL	
1	9.1154.0083.6	1	W2400-SD25-860-F5/1 R = REF. 11-93
4	85.205	1	SDH25; L= 645 mm
5	85.204	1	SDH25; L= 640 mm
11	35.10.00	1	1.3/8" (6)
12	33.91.07	1	AGRASET 101
13	56.144.40	1	F5/1 R-2400-1.3/8" (6)
21	35.00.00	2	
22	63.27.00	2	BM 8x1
23	35.13.00	1	RG2400-1b
24	61.05.08	2	Ø10x80 DIN 1481
25	75.25.95	1	1bGA; L= 740 mm
26	75.36.15	1	2aG; L= 715 mm
27	35.14.00	1	RG2400-2a
51	85.25.06	1	n= 6
52	60.15.00	2	4x10
53	82.85.00	2	
54	82.83.04	2	
55	85.25.08	1	n= 8
56	82.36.03	2	
91	16.61.175	1	"_ _"
92	38.33.33	1	"DANGER; ROTATING DRIVELINE"
93	38.33.34	1	"DANGER; SHIELD MISSING DO NOT OPERATE"

REF.	ONDERDEELNR. PART NUMBER REFERENCE TEILNUMMER	AANTAL QUANTITY QUANTITE ANZAHL	
91			
92			
93			