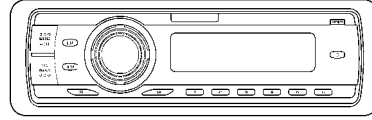


# Service Manual



DEH-P770MP/XN/UC

ORDER NO.  
**CRT3333**

**MULTI-CD CONTROL HIGH POWER CD/MP3/WMA PLAYER WITH FM/AM TUNER**

# DEH-P770MP /XN/UC

# DEH-P7700MP /XN/UC

# DEH-P7750MP /XN/ES

**This service manual should be used together with the following manual(s):**

Model No.	Order No.	Mech.Module	Remarks
CX-3158	CRT3394	S10.1AAC	CD Mech. Module:Circuit Description, Mech. Description, Disassembly

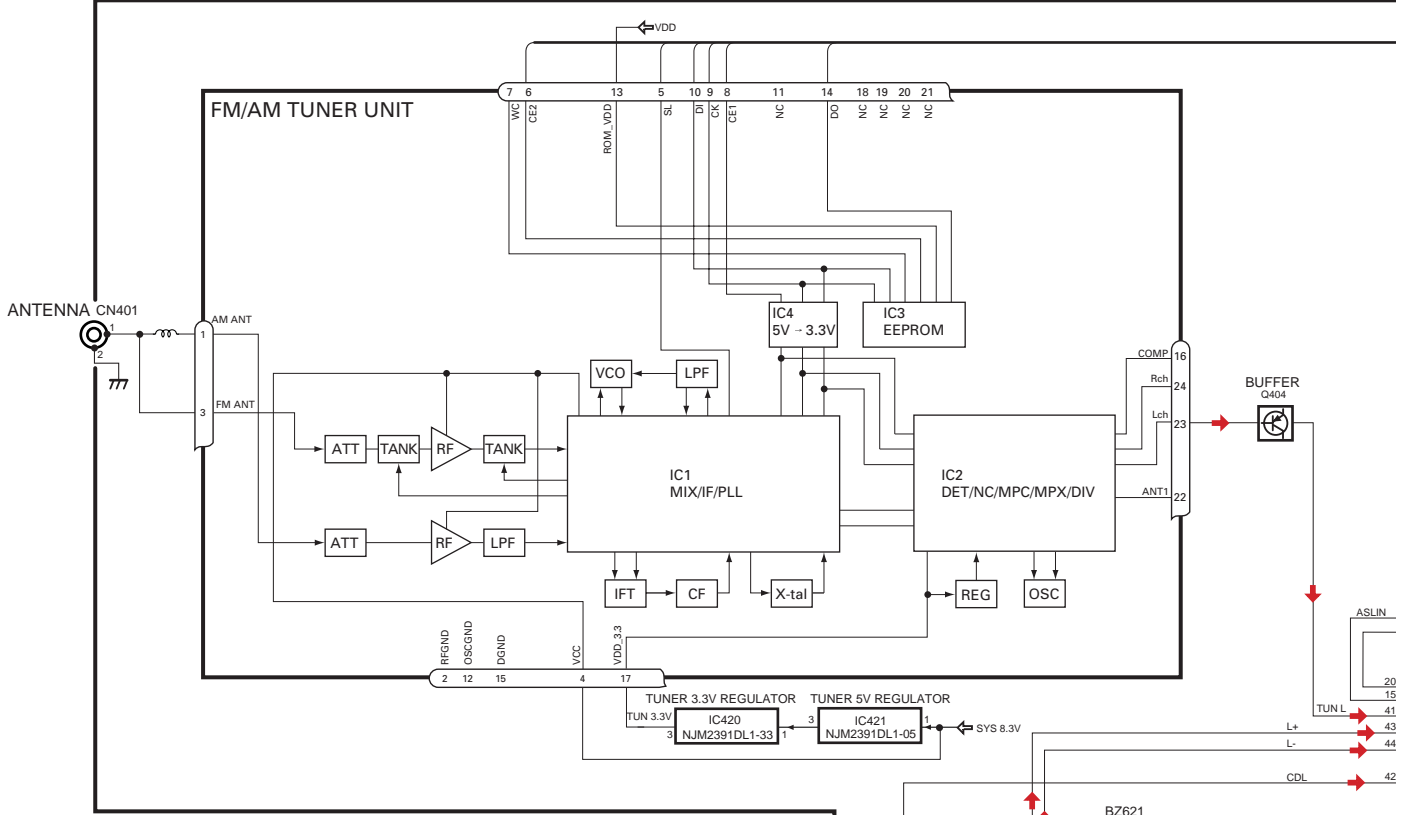


For details, refer to "Important Check Points for Good Servicing".

# 3. BLOCK DIAGRAM AND SCHEMATIC DIAGRAM

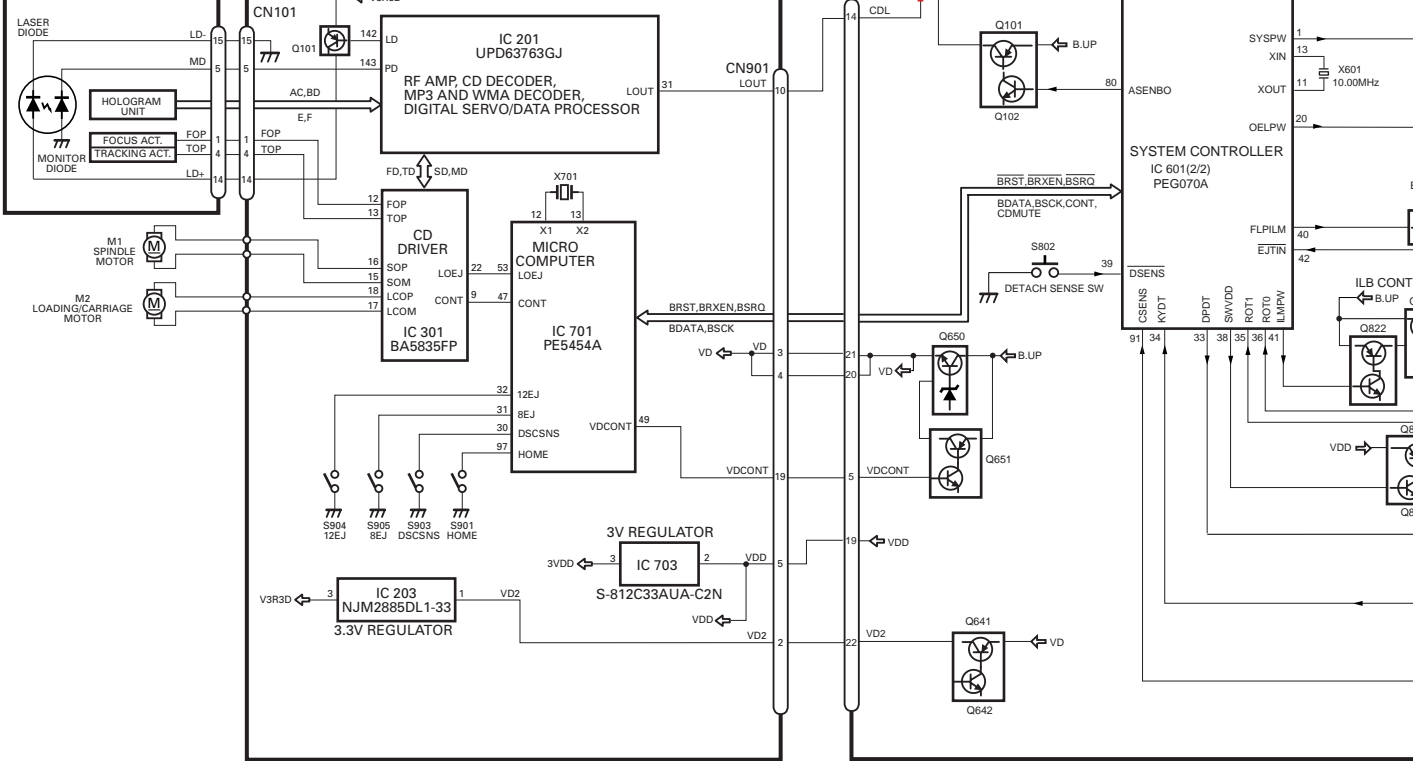
## 3.1 BLOCK DIAGRAM

### A TUNER AMP UNIT

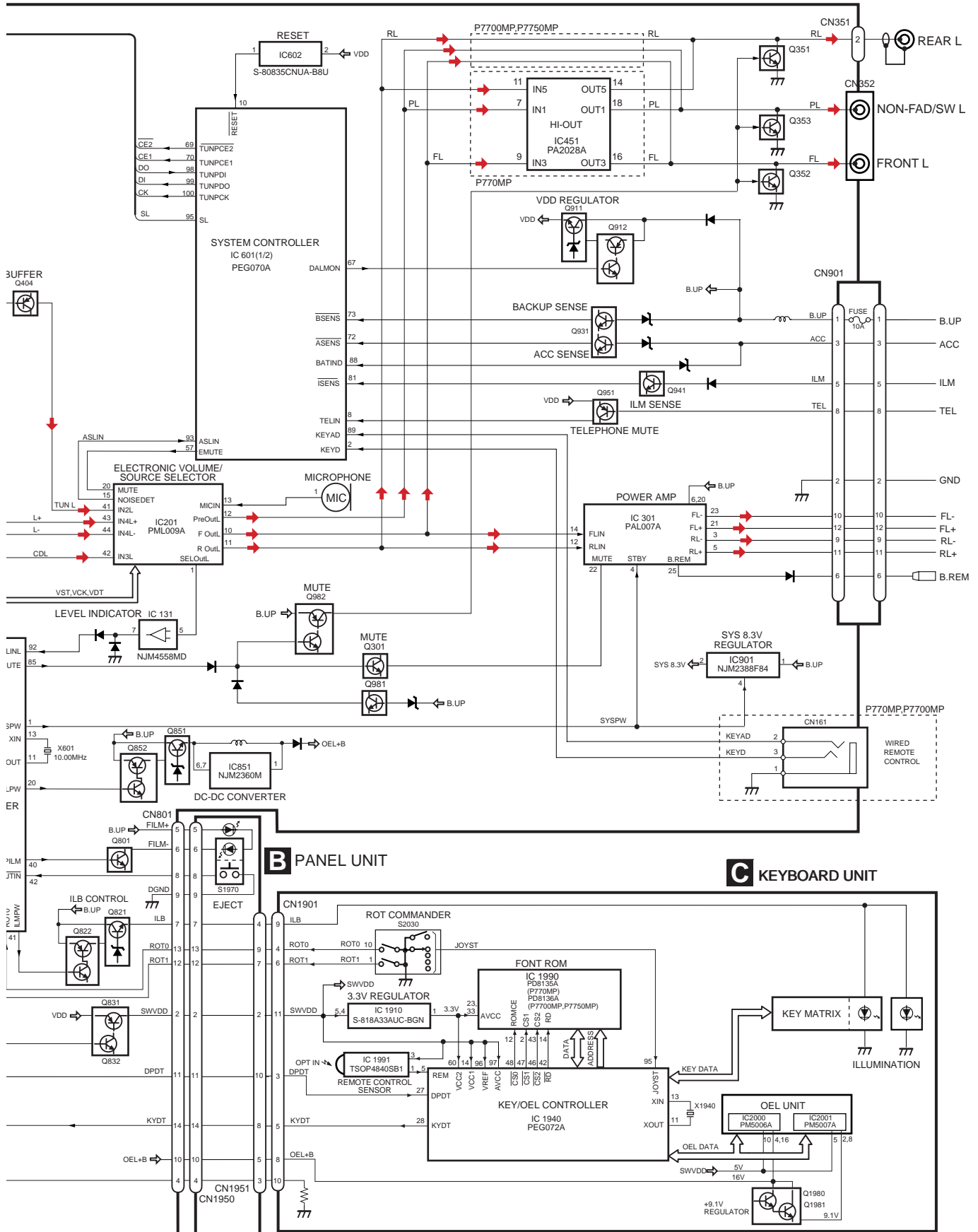


### D CD CORE UNIT(S10.1)

#### PICKUP UNIT (P9.9MP3)(SERVICE)



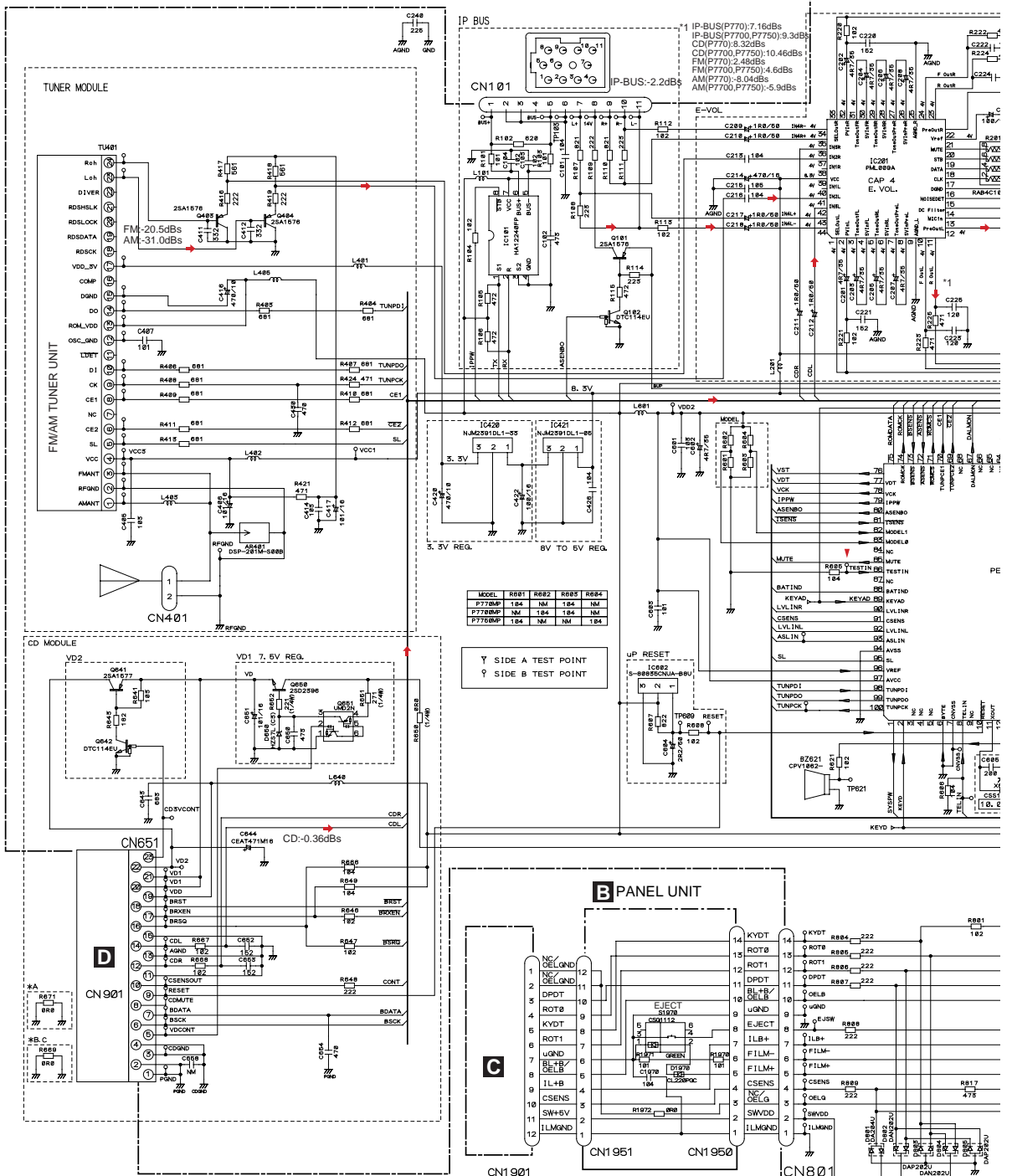
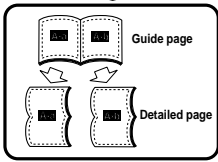
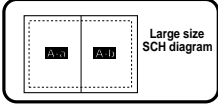
A  
B  
C  
D  
E  
F



# 3.2 OVERALL CONNECTION DIAGRAM(GUIDE PAGE)

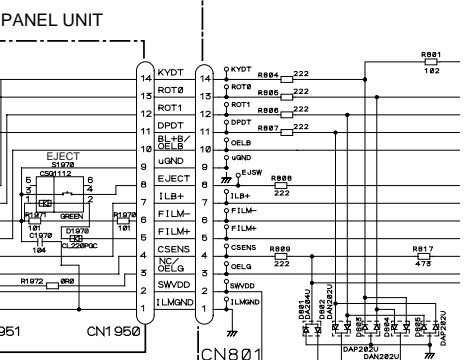
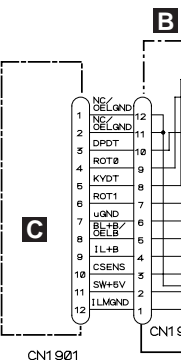
Note: When ordering service parts, be sure to refer to " EXPLODED VIEWS AND PARTS LIST" or "ELECTRICAL PARTS LIST".

A-a



MODEL	R881	R882	R885	R884
P770MP	184	NM	184	NM
P770MP	184	NM	184	NM
P770MP	184	NM	184	NM

Y SIDE A TEST POINT  
Y SIDE B TEST POINT



NOTE:  
 ◻ Symbol indicates a resistor.  
 No differentiation is made between chip resistors and discrete resistors.  
 —|— Symbol indicates a capacitor.  
 No differentiation is made between chip capacitors and discrete capacitors.

The Δ mark found on some component parts indicates the importance of the safety factor of the part. Therefore, when replacing, be sure to use parts of identical designation.

For resistors and capacitors in the circuit diagrams, their resistance values or capacitance values are expressed in codes.

Ex. \*Resistors

Code	Practical value
123	12k ohms
103	10k ohms

\*Capacitors

Code	Practical value
103	0.01μF
101/10	100μF/10V

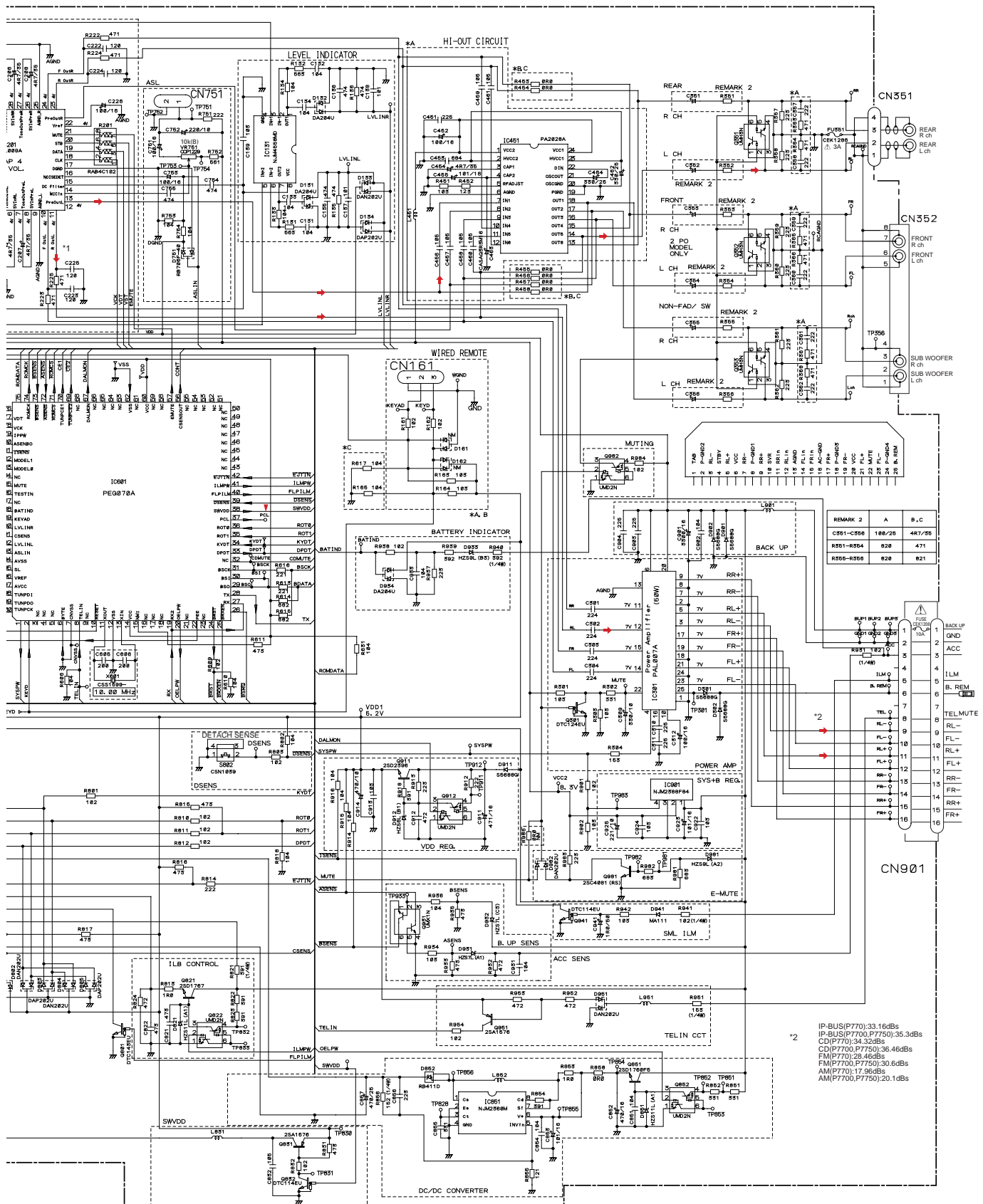
- \* A DEH-P770MP/XN/UC
- B DEH-P770MP/XN/UC
- C DEH-P7750MP/XN/ES

**A B**

DEH-P770MP/XN/UC

# A-b

## A TUNER AMP UNIT

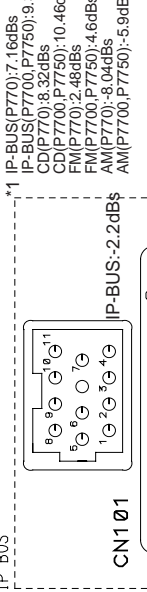
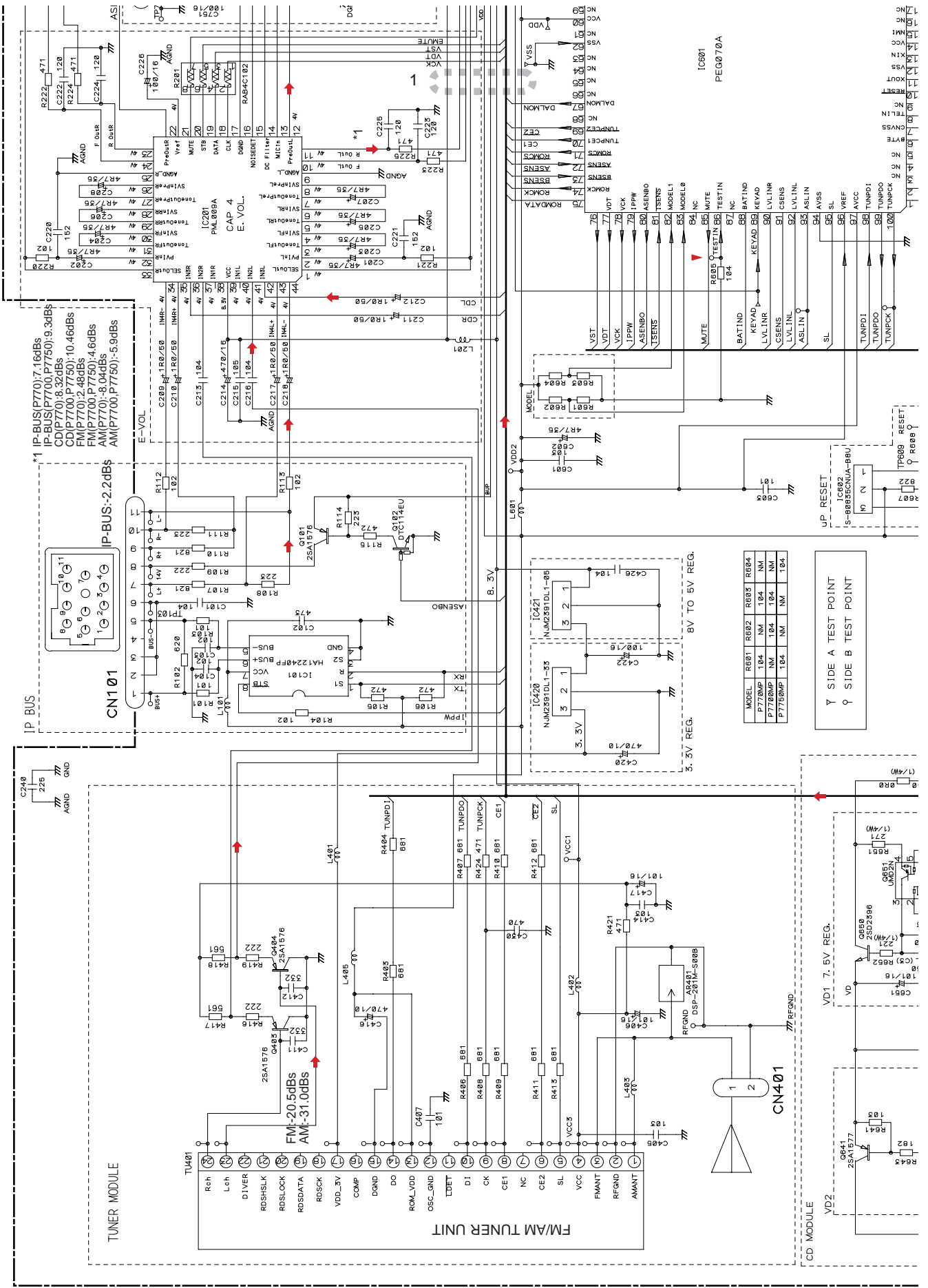


A  
B  
C  
D  
E  
F

A-b

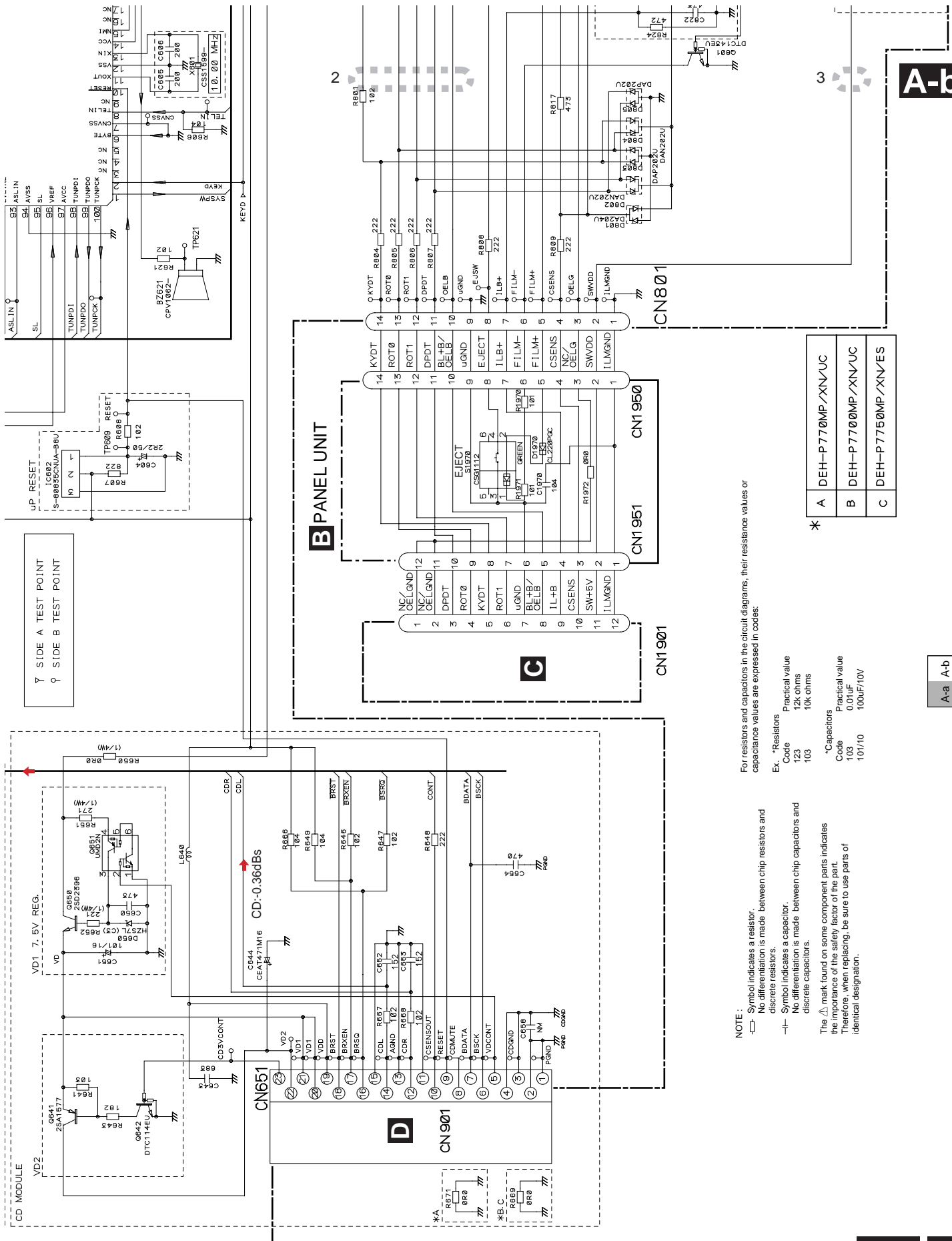
A-a A-b

A-a



MODEL	R601	R602	R603	R604
P770MP	NM	NM	NM	NM
P7750MP	NM	NM	NM	NM
P7750MP	NM	NM	NM	NM

Y SIDE A TEST POINT  
 O SIDE B TEST POINT



Y SIDE A TEST POINT  
 O SIDE B TEST POINT

\* A DEH-P770MP/XN/UC  
 B DEH-P770MP/XN/UC  
 C DEH-P7750MP/XN/ES

For resistors and capacitors in the circuit diagrams, their resistance values or capacitance values are expressed in codes:

- Ex. \*Resistors  
 Code Practical value  
 123 12k ohms  
 103 10k ohms
- \*Capacitors  
 Code Practical value  
 103 0.01uF  
 101/10 100uF/10V

- NOTE:  
 □ Symbol indicates a resistor.  
 No differentiation is made between chip resistors and discrete resistors.  
 ⊕ Symbol indicates a capacitor.  
 No differentiation is made between chip capacitors and discrete capacitors.  
 The (Δ) mark found on some component parts indicates the importance of the safety factor of the part. Therefore, when replacing, be sure to use parts of identical designation.

A-a A-b

A-a B

A

B

C

D

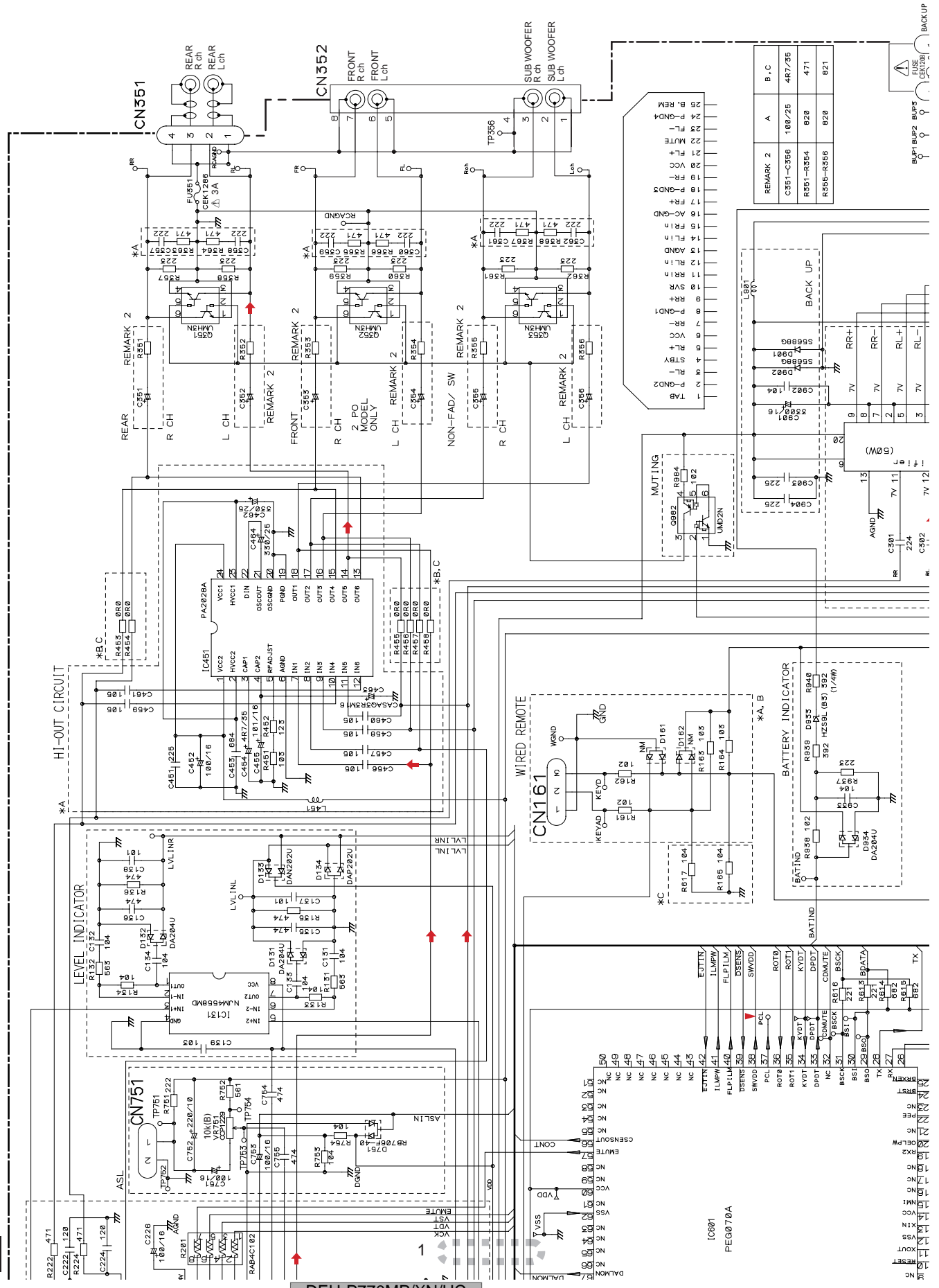
E

F

# A TUNER AMP UNIT

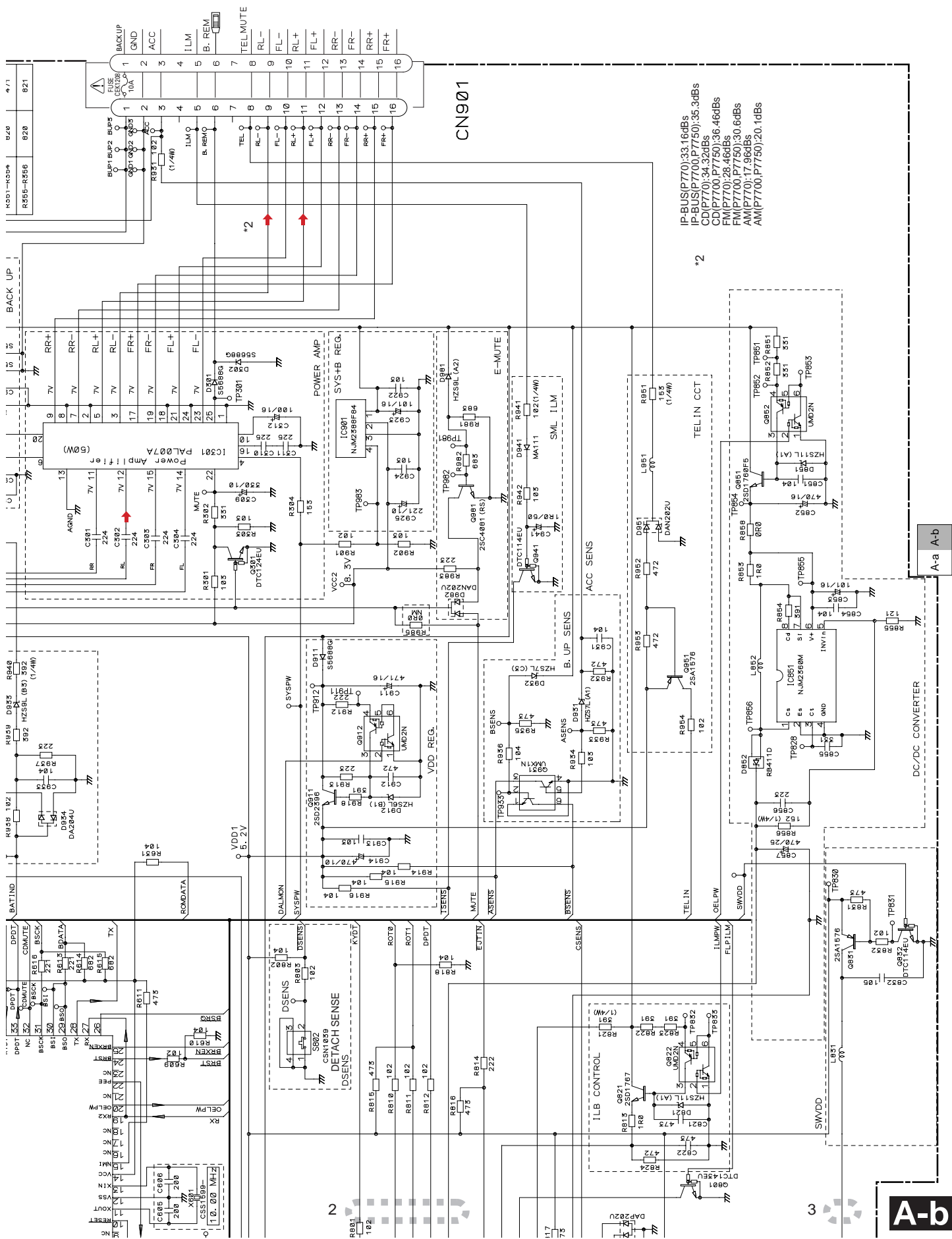
A-a A-b

# A-b



DEH-P770MP/XN/UC





DEH-P770MP/XN/UC

A  
B  
C  
D  
E  
F

A-b

IP-BUS(P770):33.16dBs  
 IP-BUS(P770,P7750):35.3dBs  
 CD(P770):34.32dBs  
 FM(P770,P7750):36.46dBs  
 FM(P770):28.46dBs  
 AM(P770):30.6dBs  
 AM(P770):17.96dBs  
 AM(P770,P7750):20.1dBs

\*2

5

6

7

8

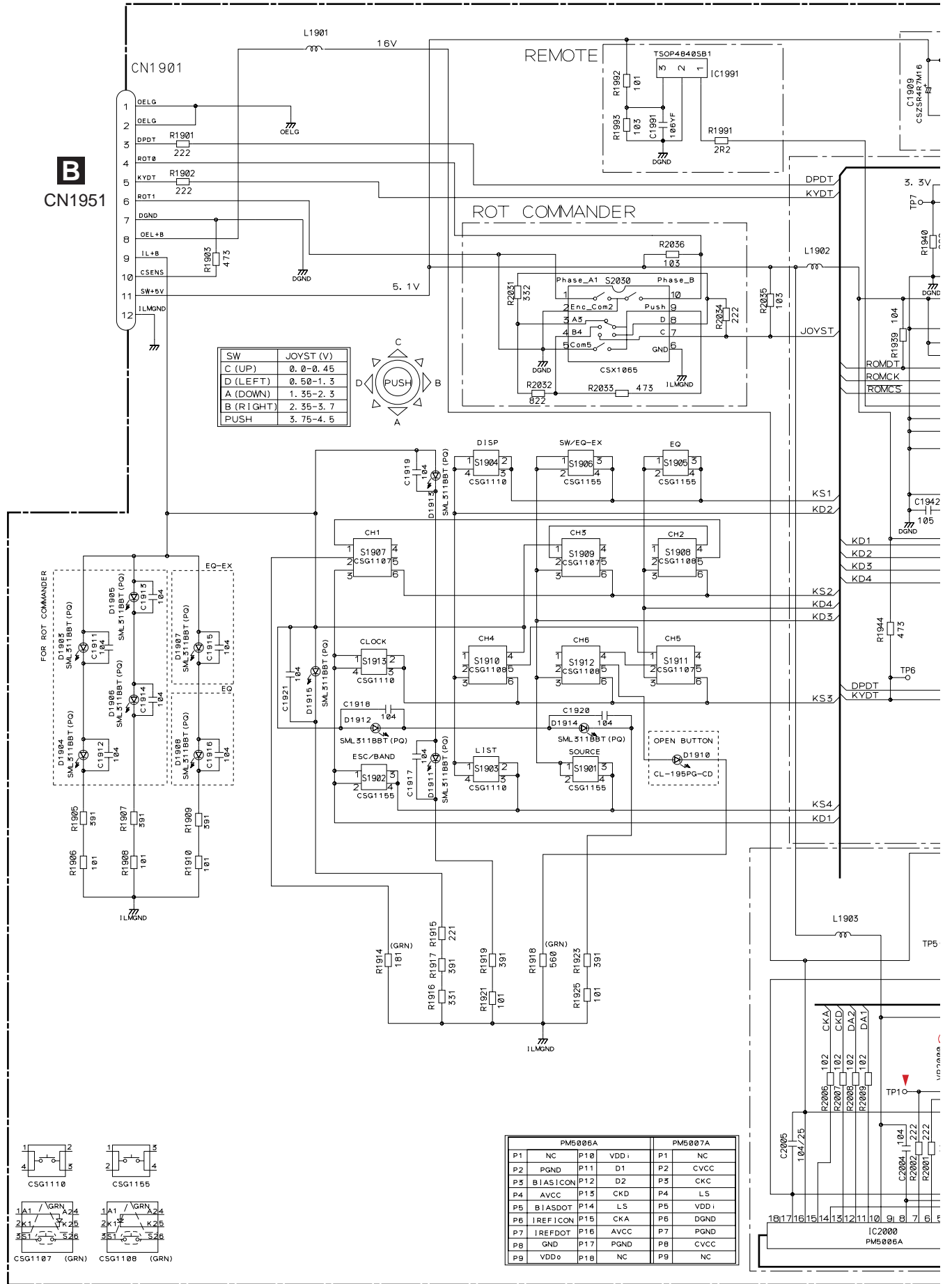
5

6

7

8

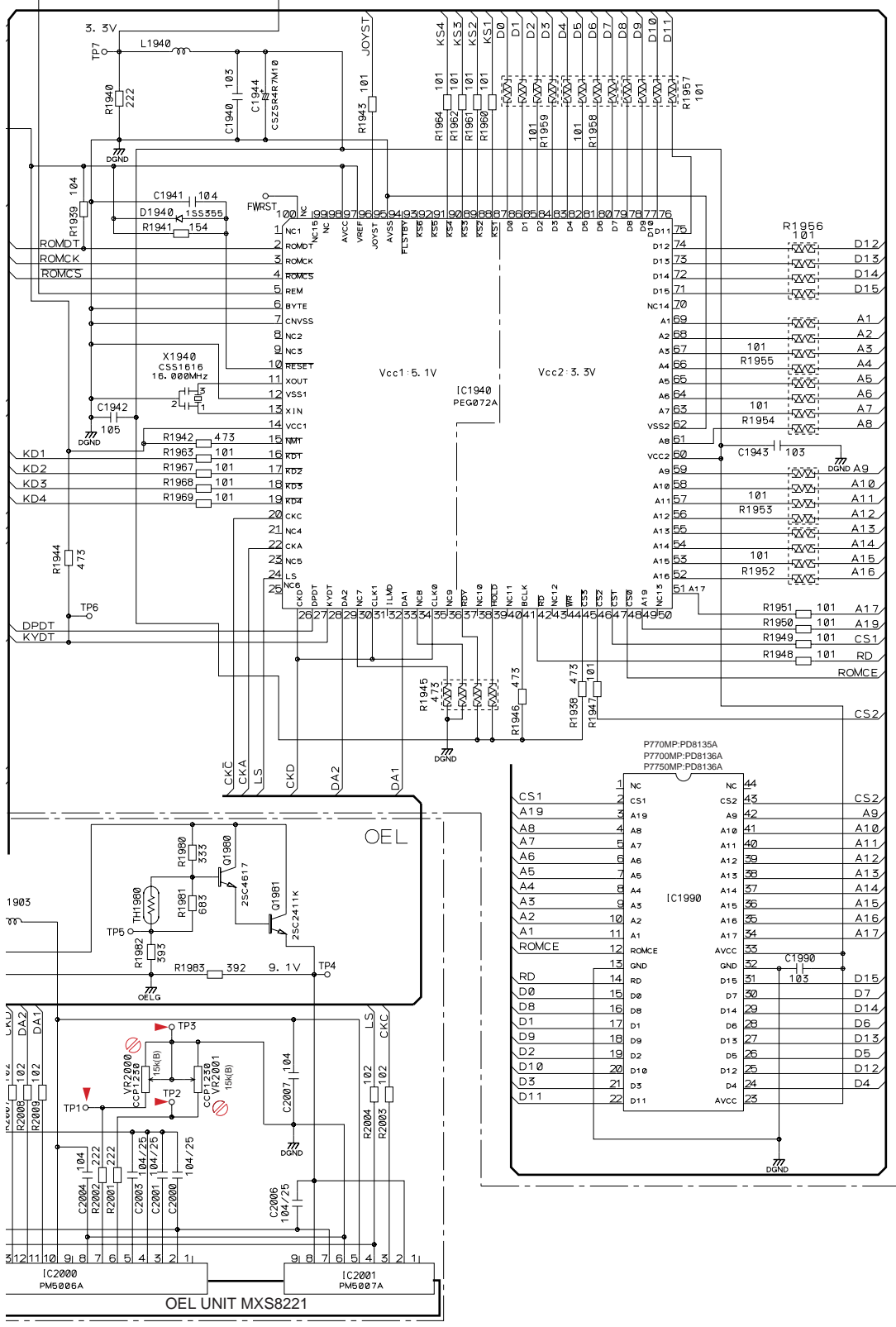
# 3.3 KEYBOARD UNIT



# KEYBOARD UNIT

## 3.3 V REGULATOR

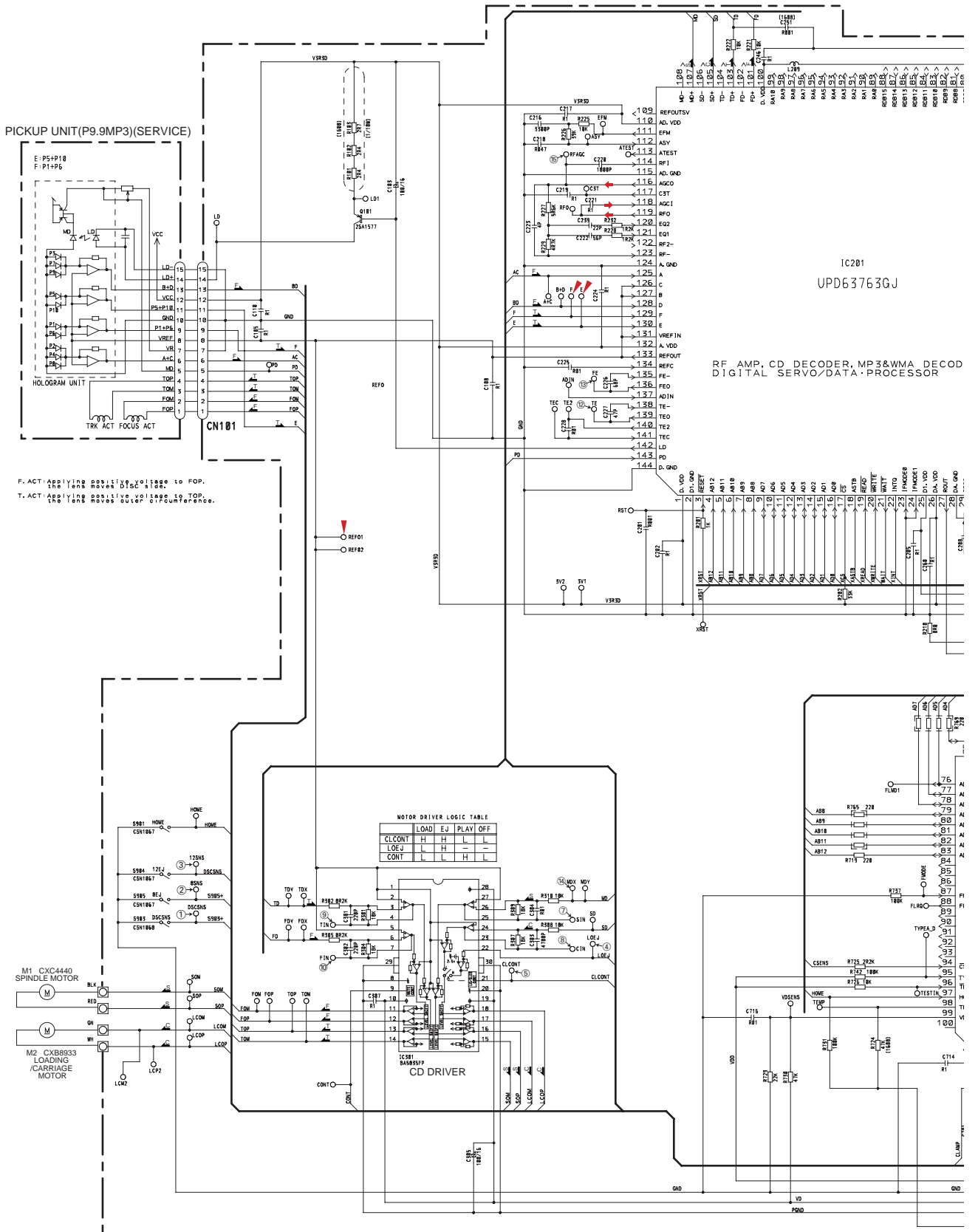
## SYSTEM MICROCOMPUTER



A  
B  
C  
D  
E  
F

# 3.4 CD MECHANISM MODULE(GUIDE PAGE)

D-a



F. ACT: Applying positive voltage to FOP.  
The lens moves DISC side.  
T. ACT: Applying positive voltage to TOP.  
The lens moves OUTER circumference.

IC201  
UPD63763GJ  
RF AMP, CD DECODER, MP3&WMA DECOD  
DIGITAL SERVO/DATA PROCESSOR

D

# D-b

NOTE1) GND ... CD, LSI, RFAMP, CPU  
 PGND ... Actuator, Motor Driver  
 AGND ... Audio  
 These GND's are not connected to each other on PCB.  
 PGND is connected to a floating mechanism part by a screw.

- ⊖ Monitor land (ø1.2mm)
- #- Monitor land (ø0.8mm)
- Land for manual soldering

SWITCHES:  
 CD CORE UNIT(S10.1)  
 S901:HOME SWITCH.....ON-OFF  
 S903:DSCSNS SWITCH.....ON-OFF  
 S904:12EJ SWITCH.....ON-OFF  
 S905:8EJ SWITCH.....ON-OFF

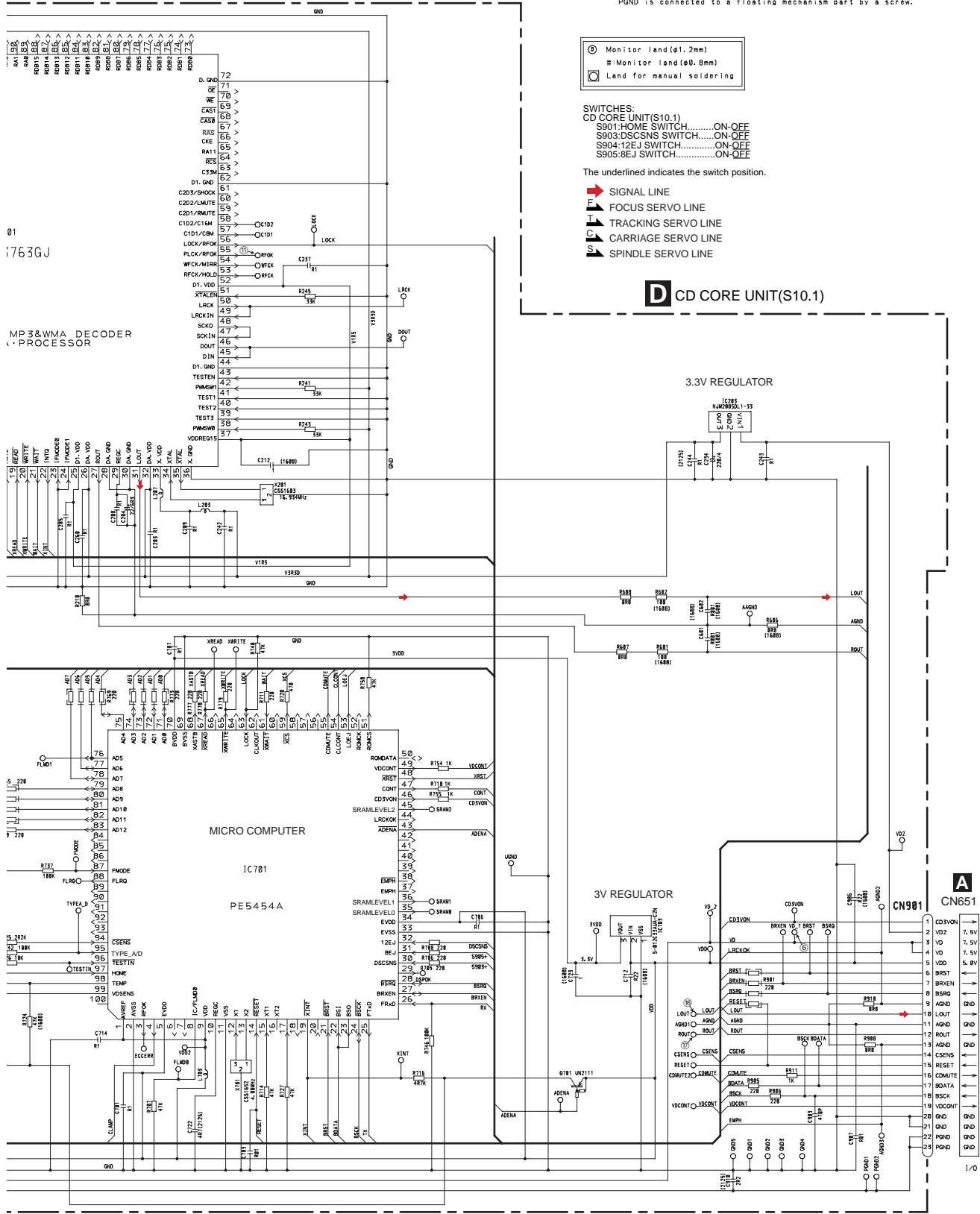
The underlined indicates the switch position.

- ➔ SIGNAL LINE
- F FOCUS SERVO LINE
- ⚡ TRACKING SERVO LINE
- ⚡ CARRIAGE SERVO LINE
- S SPINDLE SERVO LINE

## D CD CORE UNIT(S10.1)

3.3V REGULATOR

3V REGULATOR



A  
B  
C  
D  
E  
F

# D

A D-b

B

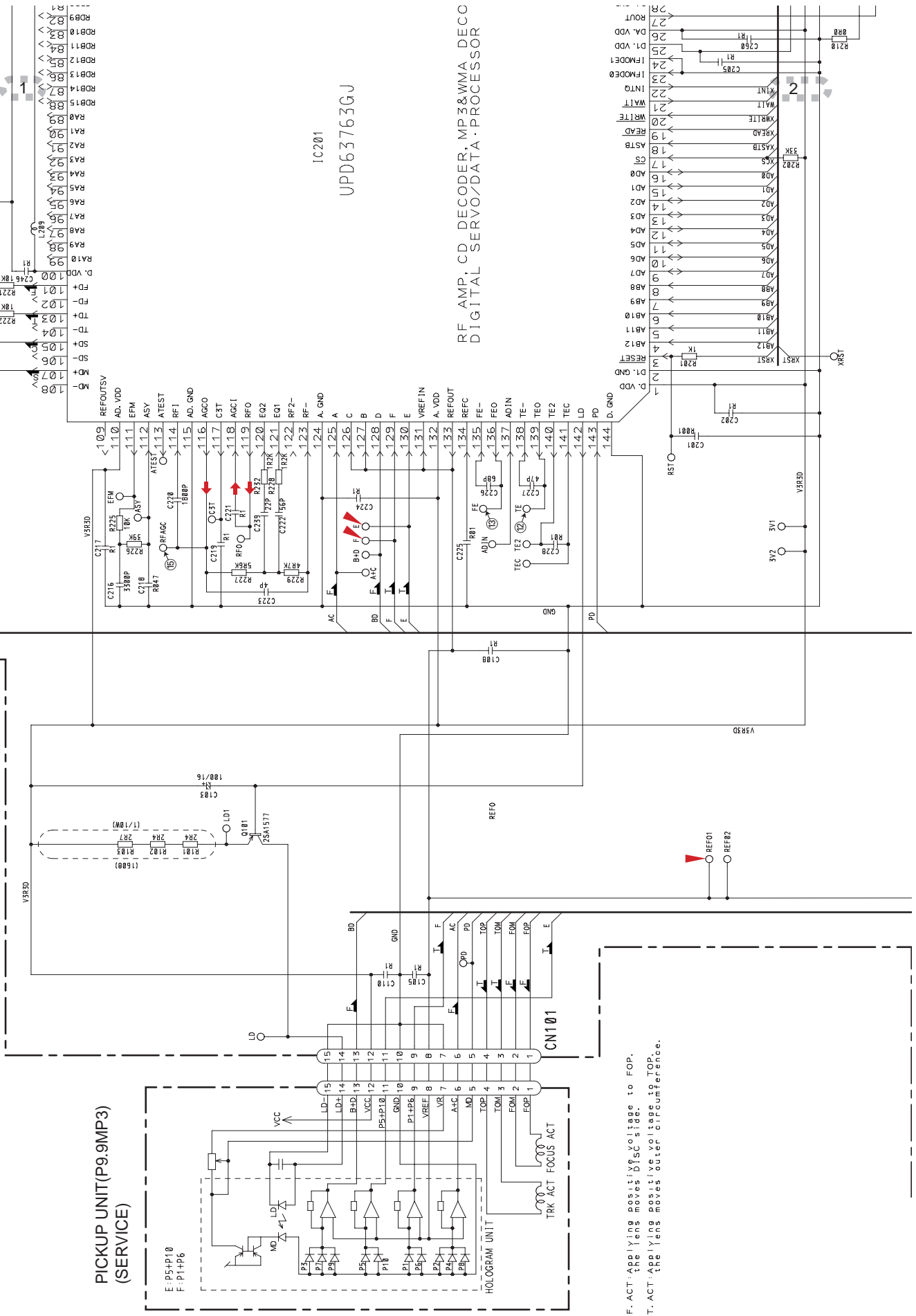
C

D

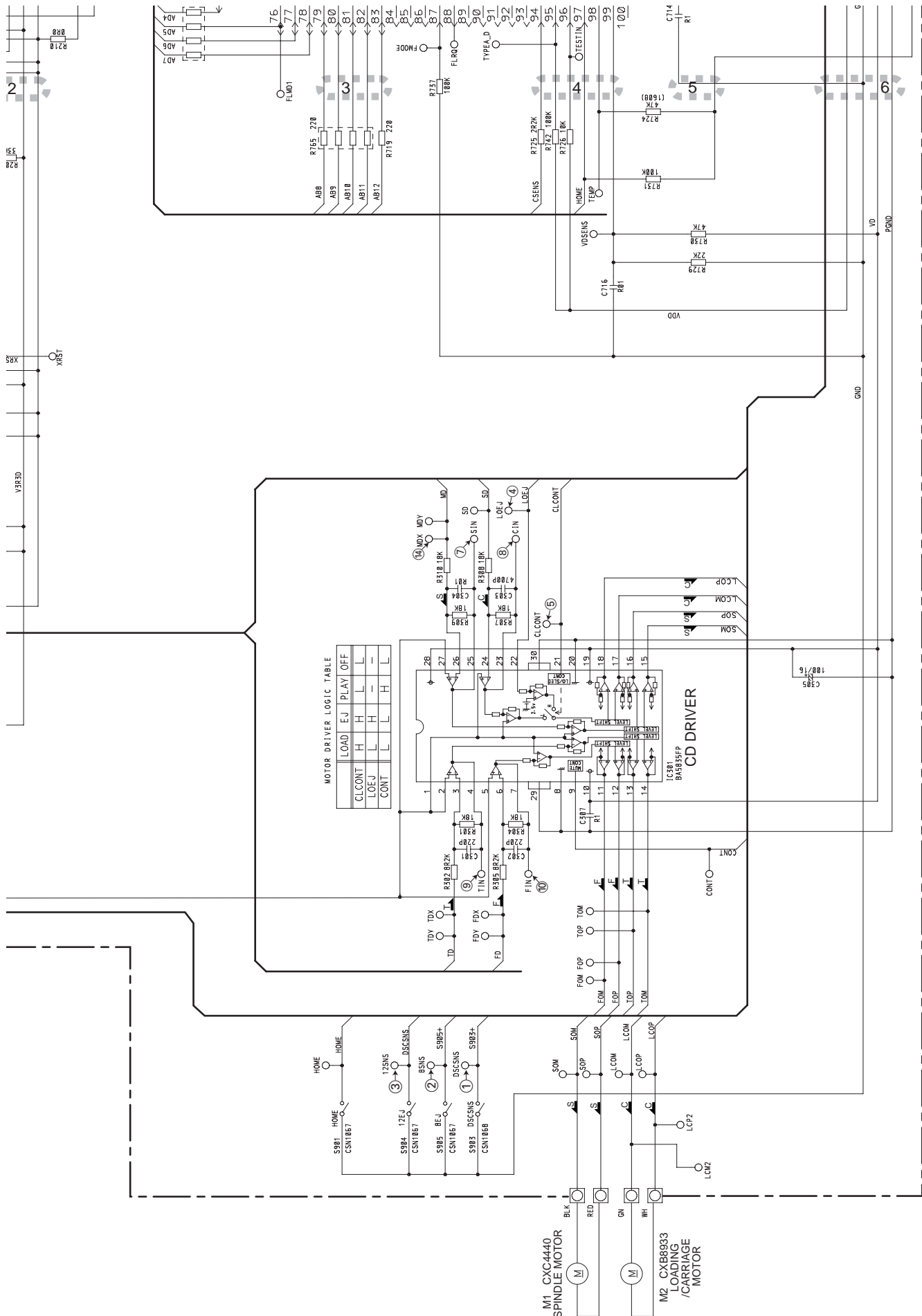
E

F D-a

D-a D-b



F. ACT: Applying positive voltage to FOP, the lens moves DISC side.  
 T. ACT: Applying positive voltage to TOP, the lens moves outer circumference.



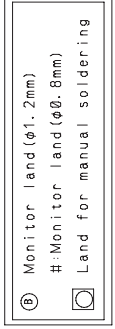
D-b

D-a D-b

D-a

A B C D E F

NOTE 1) GND ... CD LSI, RFAMP, CPU  
 PGND ... Actuator, Motor Driver  
 AGND ... Audio  
 These GND's are not connected to each other on PCB.  
 PGND is connected to a floating mechanism part by a screw.



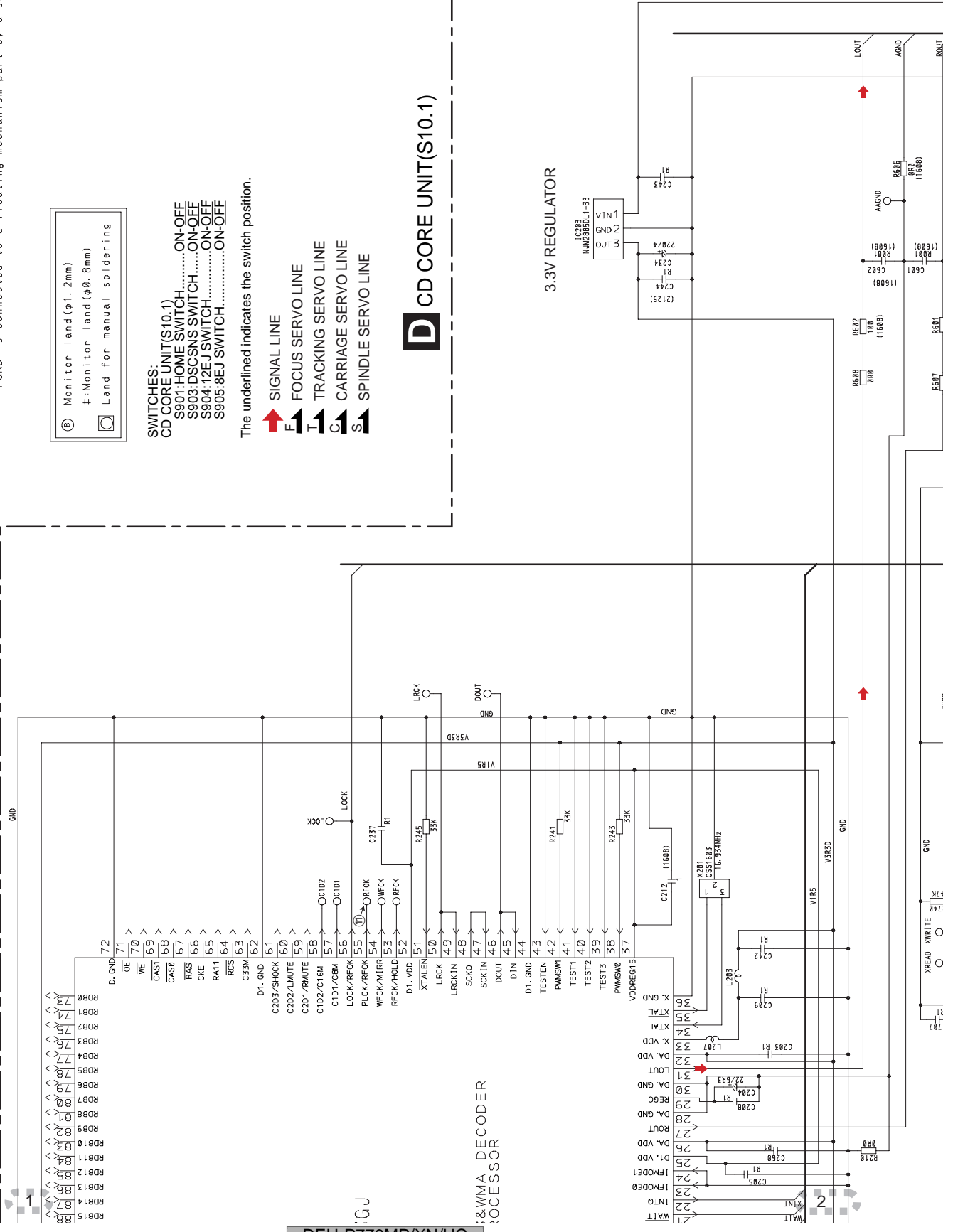
SWITCHES:  
 CD CORE UNIT(S10.1)  
 S901: HOME SWITCH.....ON-OFF  
 S903: DSCSNS SWITCH.....ON-OFF  
 S904: 12EJ SWITCH.....ON-OFF  
 S905: 8EJ SWITCH.....ON-OFF

The underlined indicates the switch position.

- S SIGNAL LINE
- F FOCUS SERVO LINE
- T TRACKING SERVO LINE
- C CARRIAGE SERVO LINE
- S SPINDLE SERVO LINE

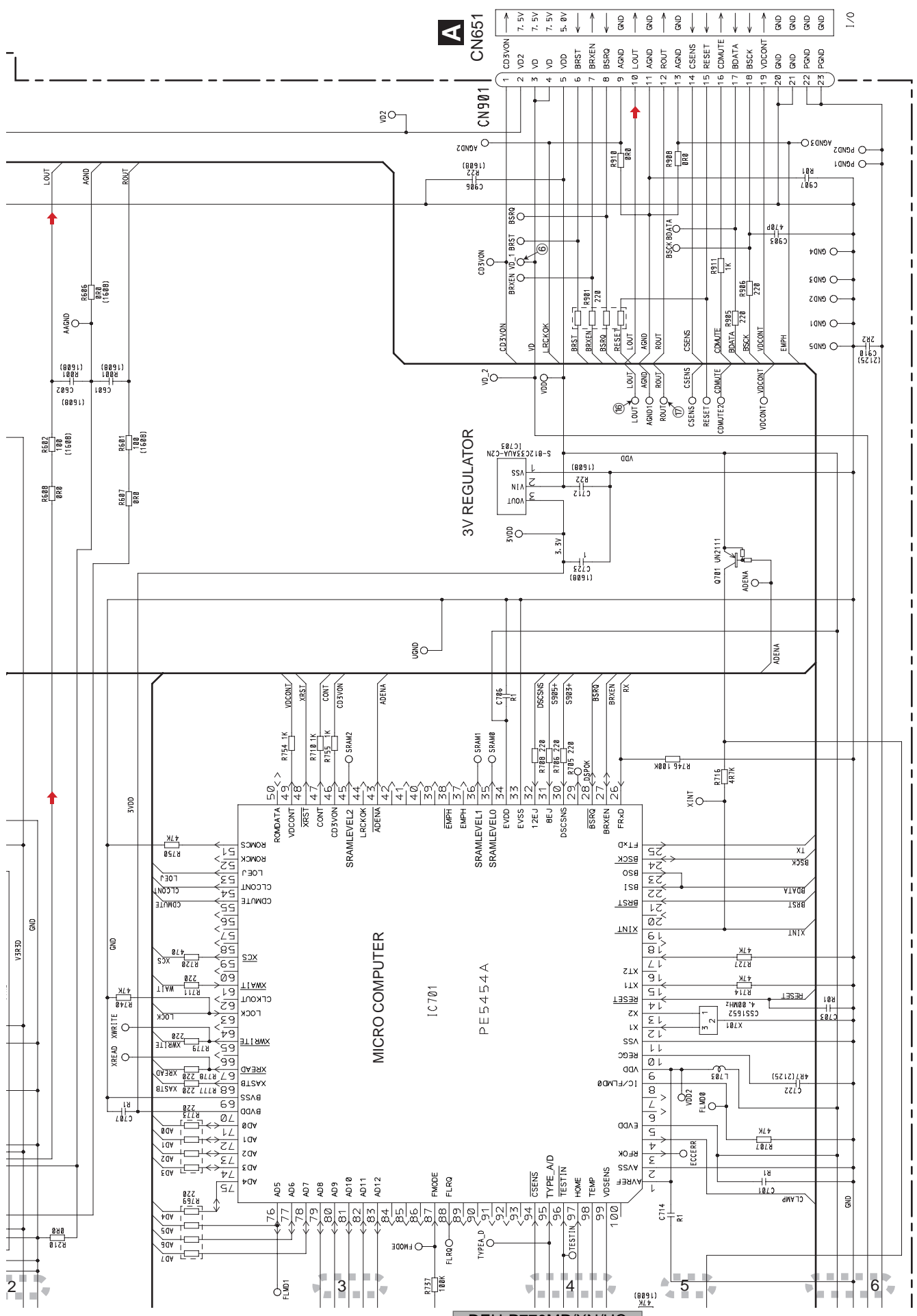
**D** CD CORE UNIT(S10.1)

3.3V REGULATOR



**D-b**





D-a

D-b

D-c

D-b

D

E

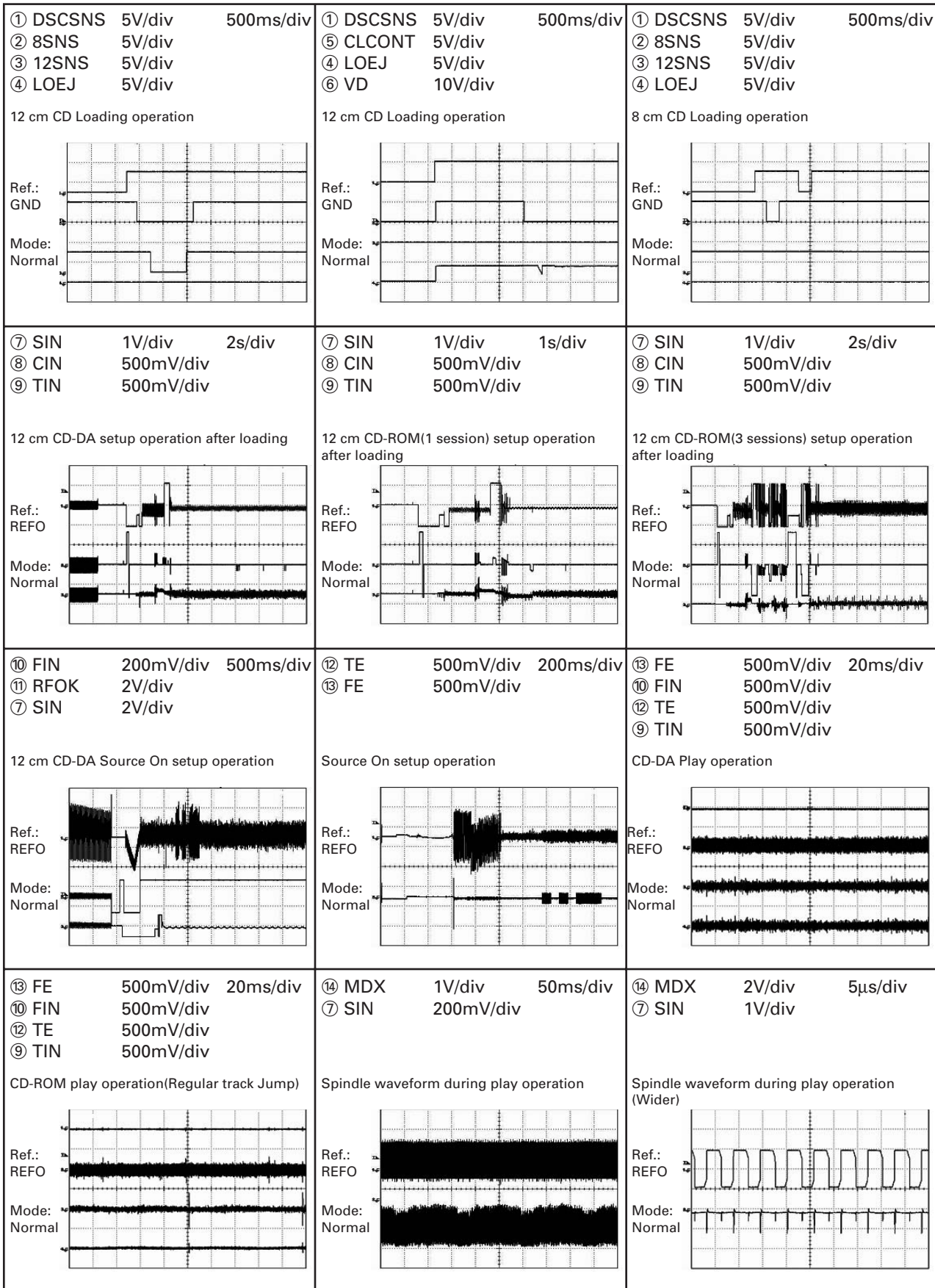
F

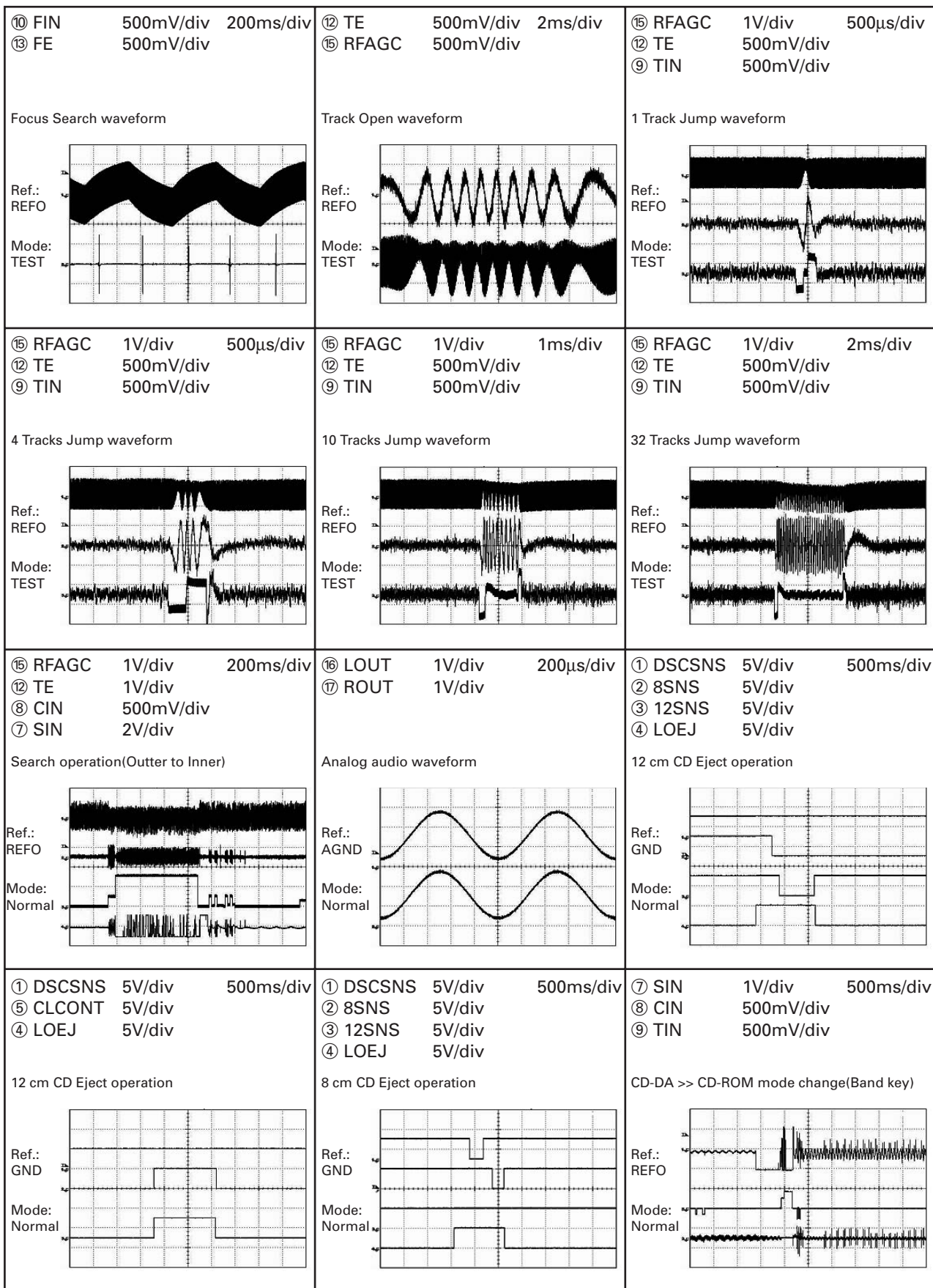
D-b

● Waveforms

Note : 1. The encircled numbers denote measuring points in the circuit diagram.  
2. Reference voltage REFO1(1.65V)

A  
B  
C  
D  
E  
F





[www.mobiteh.com](http://www.mobiteh.com)