



D-Series Size 2 LED Area Luminaire

d#series



Catalog
Number

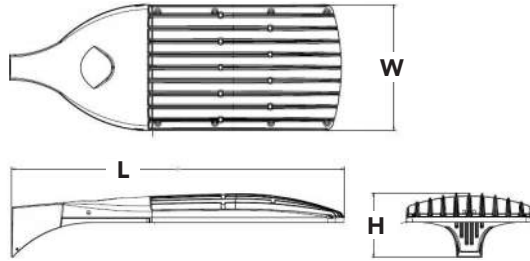
Notes

Type

Hit the Tab key or mouse over the page to see all interactive elements.

Specifications

EPA:	1.1 ft ² (0.10 m ²)
Length:	40" (101.6 cm)
Width:	15" (38.1 cm)
Height:	7-1/4" (18.4 cm)
Weight (max):	36 lbs (16.3 kg)



Introduction

The modern styling of the D-Series is striking yet unobtrusive - making a bold, progressive statement even as it blends seamlessly with its environment.

The D-Series distills the benefits of the latest in LED technology into a high performance, high efficacy, long-life luminaire. The outstanding photometric performance results in sites with excellent uniformity, greater pole spacing and lower power density. The Size 2 is ideal for replacing 400-1000W metal halide in area lighting applications with energy savings of up to 80% and expected service life of over 100,000 hours.

Ordering Information

EXAMPLE: DSX2 LED 80C 1000 40K T4M MVOLT SPA DDBXD

Series	LEDs	Drive current	Color temperature	Distribution	Voltage	Mounting
DSX2 LED	Forward optics	530 530 mA	30K 3000 K	T1S Type I Short	T5VS Type V Very Short	MVOLT ⁷ SPA RPA WBA SPUMBA RPUMBA KMA8 DDBXD U
		700 700 mA	40K 4000 K	T2S Type II Short	T5S Type V Short	
		1000 1000 mA ² (1 A)	50K 5000 K	T2M Type II Medium	T5M Type V Medium	
	Rotated optics¹	1200 1200 mA ^{2,3} (1.2 A)	AMBPC Amber phosphor converted ⁴	T3S Type III Short	T5W Type V Wide	
				T3M Type III Medium	BLC Backlight control ^{2,5,6}	
				T4M Type IV Medium	LCCO Left corner cutoff ^{2,5,6}	
90C 90 LEDs			TFTM Forward Throw Medium	RCCO Right corner cutoff ^{2,5,6}	480 ⁸	

Control options	Other options	Finish (required)
Shipped installed PER NEMA twist-lock receptacle only (no controls) ¹¹ PER5 Five-wire receptacle only (no controls) ^{11,12} PER7 Seven-wire receptacle only (no controls) ^{11,12} DMG 0-10V dimming driver (no controls) ¹³ DCR Dimmable and controllable via ROAM [®] (no controls) ¹⁴ DS Dual switching ^{15,16} PIRH Bi-level, motion/ambient sensor, 15-30' mounting height, ambient sensor enable at 5fc ¹⁷	Shipped installed HS House-side shield ²¹ SF Single fuse (120, 277, 347V) ⁷ DF Double fuse (208, 240, 480V) ⁷ L90 Left rotated optics ²² R90 Right rotated optics ²² BS Bird spikes	DDBXD Dark bronze DBLXD Black DNAXD Natural aluminum DWHXD White DDBTXD Textured dark bronze DDBLXD Textured black DNATXD Textured natural aluminum DWHGXD Textured white
PIRH1FC3V Bi-level, motion sensor, 15'-30' mounting height, ambient sensor enabled at 1fc ¹⁷ BL30 Bi-level switched dimming, 30% ^{16,18} BL50 Bi-level switched dimming, 50% ^{16,18} PNMTDD3 Part night, dim till dawn ¹⁹ PNMT5D3 Part night, dim 5 hrs ¹⁹ PNMT6D3 Part night, dim 6 hrs ¹⁹ PNMT7D3 Part night, dim 7 hrs ¹⁹ FAO Field Adjustable Output ¹⁹		

Controls & Shields

DLL127F 1.5 JU	Photocell - SSL twist-lock (120-277V) ²³
DLL347F 1.5 CUL JU	Photocell - SSL twist-lock (347V) ²³
DLL480F 1.5 CUL JU	Photocell - SSL twist-lock (480V) ²³
DSHORT SBK U	Shorting cap ²³
DSX2HS 80C U	House-side shield for 80 LED unit ²¹
DSX2HS 90C U	House-side shield for 90 LED unit ²¹
DSX2HS 100C U	House-side shield for 100 LED unit ²¹
PUMBA DDBXD U*	Square and round pole universal mounting bracket (specify finish) ²⁴
KMA8 DDBXD U	Mast arm mounting bracket adaptor (specify finish) ¹⁰

For more control options, visit [DTL](#) and [ROAM](#) online.

NOTES

- Rotated optics option (L90 or R90) required for 90C.
- Not available in AMBPC.
- Not available with BLC, LCCO or RCCO
- distributions.
- Only available with 530mA or 700mA.
- Not available with 1200mA.
- Not available with HS.
- MVOLT driver operates on any line voltage from 120-277V (50/60 Hz). Single fuse (SF) requires 120V, 277V or 347V. Double fuse (DF) requires 208V, 240V or 480V.
- Not available with BL30, BL50 or PNMT options.
- Existing drilled pole only. Available as a separate combination accessory; for retrofit use only: PUMBA (finish) U; 1.5 G vibration load rating per ANCI C136.31.
- Must be ordered as a separate accessory; see Accessories information. For use with 2-3/8" mast arm (not included).
- Photocell ordered and shipped as a separate line item from Acuity Brands Controls. See accessories. Not available with DS option.
- If ROAM[®] node required, it must be ordered and shipped as a separate line item from Acuity Brands Controls. Not available with DCR. Node with integral dimming.
- DMG option for 347V or 480V requires 1000mA.
- Specifies a ROAM[®] enabled luminaire with 0-10V dimming capability; PER option required. Additional hardware and services required for ROAM[®] deployment; must be purchased separately. Call 1-800-442-6745 or email: sales@roamservices.net. N/A with DS, PIRH, PER5, PER7, BL30, BL50 or PNMT options. Node without integral dimming.

- Provides 50/50 luminaire operation via two independent drivers on two separate circuits. N/A with 80C 530, 90C 530, PER, PER5, PER7, DCR, BL30, BL50 or PNMT options.
- Requires an additional switched circuit.
- PIRH and PIRH1FC3V specify the [SensorSwitch SBGR-6-ODP](#) control; see [Outdoor Control Technical Guide](#) for details. Dimming driver standard. Not available with PER5 or PER7. Ambient sensor disabled when ordered with DCR. Separate on/off required
- Dimming driver standard. MVOLT only. Not available with 347V, 480V, DCR, DS, PER5, PER7 or PNMT options. Not available with PIRH1FC3V.
- Dimming driver standard. MVOLT only. Not available with 347V, 480V, DCR, DS, PER5, PER7, BL30 or BL50. Not available with PIRH1FC3V. Separate on/off required.
- Dimming driver standard. Not available with PER5, PER7, DMG, DCR, DS, BL30, BL50 or PNMT options. PIRH or PIRH1FC3V.
- Not available with BLC, LCCO and RCCO distribution. Also available as a separate accessory; see Accessories information.
- 90 LEDs (90C option) only.
- Requires luminaire to be specified with PER option. Ordered and shipped as a separate line item from Acuity Brands Controls.
- For retrofit use only.



DESCRIPTION

The TopTier™ parking garage, canopy and low-bay luminaire is an innovative solution that delivers an unparalleled combination of performance and visual comfort. The patented WaveStream™ optical technology blocks the line of sight from the LED light sources to the observer, while extracting the maximum amount of light on task. This approach results in a high level of uniformity and vertical footcandles that enhances safety in the application environment. The TopTier luminaire is UL/cUL listed for wet locations, IP66 and 3G vibration rated.

Catalog #		Type	
Project		CL1	
Comments		Date	
Prepared by			

SPECIFICATION FEATURES

Construction

One-piece, low copper die-cast aluminum housing provides a clean and symmetric housing. Formed aluminum top is sloped to prevent bird nesting. Metal electrical tray allows for easy electrical access for field servicing.

Optics

Unique optical distributions are accomplished using various combinations of reflective backing plates and WaveStream optical technology. The optical Waveguide is manufactured using precision injection molded acrylic. The optics contain features that form a repeatable and redundant pattern to direct light in a precisely prescribed distribution. The drive lane distribution is specifically designed for locations with one direction of travel to optimally direct light in the same direction of travel for maximum glare control. For additional glare control and visual comfort with the Wide distribution, specify the SG option which adds a Solite® glass lens that works in combination with the Waveguide lens and reflective backing plate.

Offered standard in 4000K (+/- 275K) CCT, optional 3000K, 5000K and 6000K. Minimum 70 CRI. Optional uplight feature provides a dedicated light engine (17W) to maintain consistent output across fixtures and reduces cave effect. Nominal uplight output is 800 lumens and ranges from 10%-30% total light output depending on the lumen package.

Electrical

LED driver(s) are mounted to metal electrical tray for optimal thermal performance. 120-277V 50/60Hz, 347V 60Hz or 480V 60Hz operation. 480V is compatible for use with 480V Wye systems only. Standard with 0-10V dimming driver(s), specify 5LTD for Fifth Light DALI driver(s). Shipped standard with Eaton proprietary circuit module designed to withstand 10kV of transient line surge. Greater than 90% lumen maintenance expected at 60,000 hours, based off LM-80 test data and TM-21. Suitable for ambient temperature applications from -40°C (-40°F) to 40°C (104°F). For 50°C (122°F) applications, specify the HA high ambient option. IP66 rated against the ingress of dust and water.

Mounting

Standard fixture mounts to a square or octagonal 4" surface or recessed j-box via heavy-gauge quick mount bracket. Optional mounting methods include trunnion mount and wall mount. With the addition of a field supplied wet location j-box, the luminaire can be pendant mounted using the factory supplied decorative pendant mount kit or a suitable field supplied pendant.

Finish

Housing finished in white super durable TGIC polyester powder coat paint with 2.5 mil nominal thickness for superior protection against fade and wear. Optional colors include black, bronze, grey, dark platinum and graphite metallic. RAL and custom color matches available. Consult the McGraw-Edison Architectural Colors brochure for the complete selection.

Warranty

Five-year warranty.



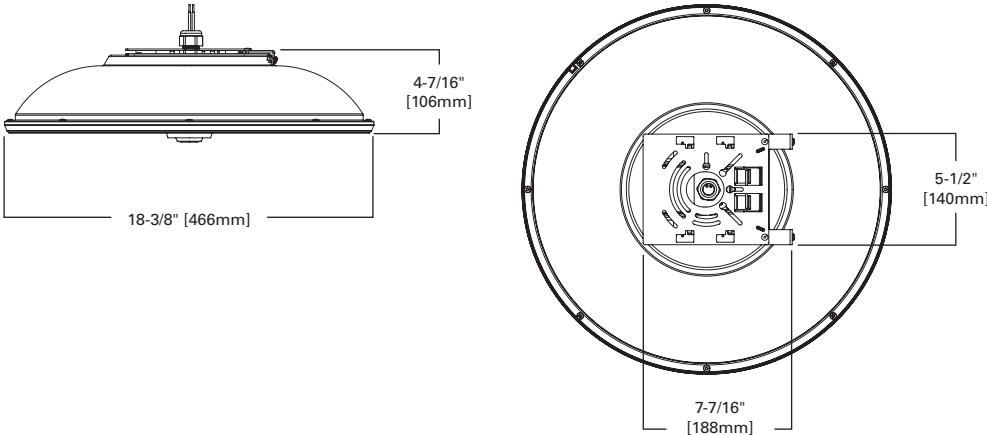
TT TOPTIER LED

Solid State LED

**PARKING GARAGE/
CANOPY/
LOW-BAY LUMINAIRE**

DIMENSIONS

SURFACE OR PENDANT MOUNT



CERTIFICATION DATA

UL/cUL Wet Location Listed
3G Vibration Rated
LM79 / LM80 Compliant
IP66 Rated
ISO 9001
DesignLights Consortium™ Qualified*

ENERGY DATA

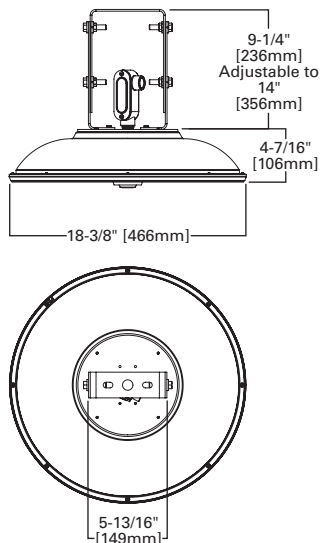
Electronic LED Driver
>0.9 Power Factor
<20% Total Harmonic Distortion
120-277V/50 & 60Hz, 347V/60Hz,
480V/60Hz
-40°C Min. Temperature
40°C Max. Temperature
50°C Max. Temperature (HA Option)

SHIPPING DATA

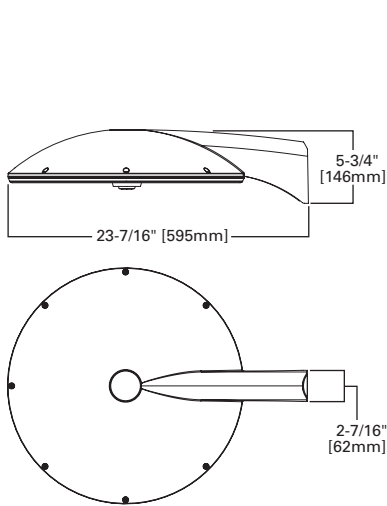
Approximate Net Weight:
16 lbs. (7.2 kgs.)

ADDITIONAL MOUNTING OPTIONS

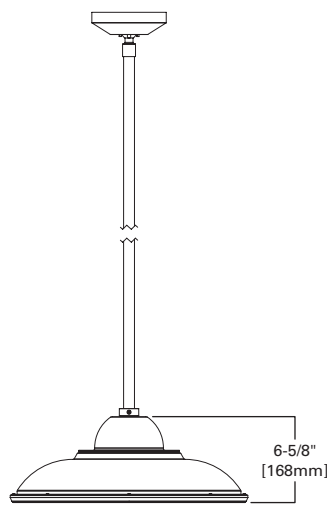
TRUNNION MOUNT



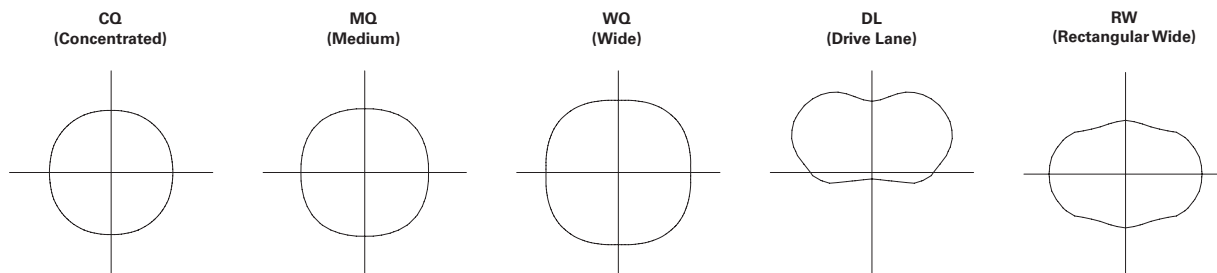
WALL MOUNT



DECORATIVE PENDANT MOUNT



OPTICAL DISTRIBUTIONS



LUMEN MAINTENANCE

Ambient Temperature	Lumen Maintenance				
	25,000 Hours	50,000 Hours	60,000 Hours TM-21 Rating	100,000 Hours	Theoretical L70 (Hours) Per TM-21 Data
C1 Lumen Package					
25°C	> 96%	> 95%	> 95%	> 93%	> 500,000
40°C	> 96%	> 94%	> 94%	> 93%	> 500,000
50°C	> 95%	> 94%	> 93%	> 93%	> 400,000
C2 Lumen Package					
25°C	> 96%	> 95%	> 95%	> 93%	> 500,000
40°C	> 95%	> 94%	> 93%	> 91%	> 500,000
50°C	> 95%	> 93%	> 92%	> 90%	> 400,000
C3 Lumen Package					
25°C	> 96%	> 93%	> 93%	> 89%	> 300,000
40°C	> 95%	> 91%	> 90%	> 85%	> 240,000
50°C	> 95%	> 90%	> 89%	> 83%	> 200,000
C4 Lumen Package					
25°C	> 96%	> 95%	> 95%	> 93%	> 500,000
40°C	> 95%	> 92%	> 92%	> 88%	> 300,000
50°C	> 94%	> 91%	> 90%	> 85%	> 250,000
C5 Lumen Package					
25°C	> 96%	> 93%	> 92%	> 88%	> 300,000
40°C	> 94%	> 90%	> 89%	> 83%	> 200,000
C6 Lumen Package					
25°C	> 95%	> 92%	> 90%	> 86%	> 250,000
40°C	> 95%	> 92%	> 91%	> 86%	> 250,000

FAIL-SAFE®

DESCRIPTION

The Fail-Safe Harmony VR provides exceptional aesthetics with remarkable strength. A wide variety of lamp options and connection configurations offer unmatched versatility for a wide range of applications. Die-Cast end caps, heavy extruded aluminum body provides strength and rigidity for complex environments while an extruded linear ribbed polycarbonate lens obscures the lamp image and spreads light evenly. The Harmony VR Linear is ideal for areas where the need for aesthetics and protection from vandalism are critical. Perfect for schools, hospitals, corridors, dormitories, public restrooms, common areas, and transit stations.

Catalog #	HVL8 224T5-UNV-X-EB52-S	Type	CL2
Project		Date	
Comments		Prepared by	

SPECIFICATION FEATURES

Housing

Heavy duty extruded aluminum rails and die-cast end caps provide rigid construction. Smooth end caps provided with internal 7/8" knockouts. Finished in white standard. Optional architectural colors available.

Fasteners

Stainless steel TORX® with center reject pin and allen head set screws provided. Screw heads are side mounted and concealed under lens.

Lens

One piece extruded UV stabilized polycarbonate. Unique linear ribbed design provides even light distribution while obscuring lamp image and direct glare. Internal ribs reduce dirt build-up and make cleaning easier. Nominal thickness 0.135".

Reflector

20 ga. CRS with white high reflectance polyester powder coat finish. Reflector serves as ballast and wireway cover.

Lamps

By others.

Socket

Pressure lock lampholders.

Ballast

Ballasts are CBM/ETL Class "P" and positively secured to housing.

Labels

UL/cUL listed for wet locations for covered ceiling surface mount. Damp location standard for all other mountings. IP64 optional.

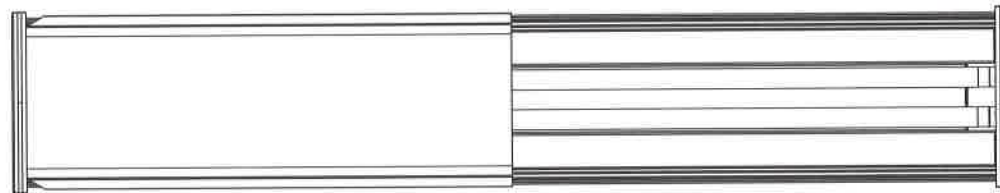


HVL8

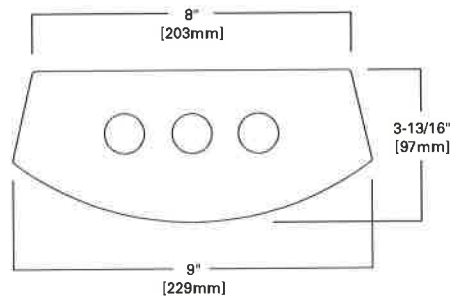
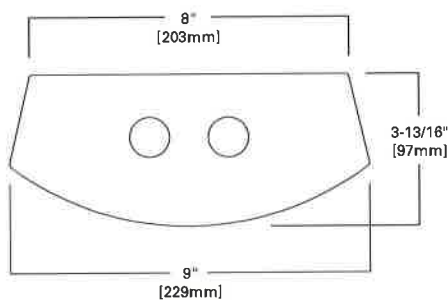
8" Individual
Harmony
T5
T8
Fluorescent
Vandal Resistant Linear

Polycarbonate
Clear Linear Ribbed or Smooth
Opal

HARMONY™
Vandal Resistant



END DIMENSIONS



TORX® is a registered trademark of Camcar Division of Textron Inc.

ENERGY DATA

For Energy Management related technical data to support the performance of this fixture series, refer to the ordering information for input wattage.

Cooper Lighting
by **A.T.N.**

ADC050452
2014-03-20 13:41:30

Submitted by Bright Focus Sales, Inc. Sandy Lewandowski

Catalog Number:
ER60MLD-3-R-W-PM / 60PA12W

Type:
EX1



Job Name:

Notes:

COL14-1821

codes and standards

- UL listed to standard 924.
- UL listed damp and wet location listed -40°F (-40°C) to 113°F (45°C)
- NFPA 101 (Life Safety Code)
- NFPA 70 (National Electric Code)
- BOCA, OSHA AND IBC illumination standards
- NEMA Premium certified
- Meets ADA specifications for wall mounted lighting fixtures
- IEC 61951-1 Life Testing (batteries)
- Certified to the California Energy Commission in accordance with CA law

construction

- Housing constructed of a combination of heavy-duty die cast aluminum and injection molded polycarbonate.
- A groove molded into each cover accepts a full perimeter silicon rubber gasket.
- Housing is powder coated in white, black, or gray.
- Single face units back cover is molded in color to match housing and front cover is clear.
- Universal models consist of two faces, backplate and canopy.
- The stencil is provided with field selectable chevrons and is contained inside the fully gasketed housing.
- All exposed hardware is both vandal resistant and anti-corrosion coated.
- Diecast aluminum canopy is powder coated to match housing.
- Dual function indicator light is located on the face of the unit to signify that AC utility is present, as well as indicating the charge status.

installation

- Exit can be installed via top and end canopy mount and back wall mount.
- All mounting configurations employ neoprene gaskets between exit housing, canopy and mounting surface.
- The exit is designed to mount to standard 3-1/2" and 4" octagonal junctions boxes.
- Provisions in the cast frame allow for up to two 1/2" flex or rigid conduit.

electronics

- 120/277VAC dual voltage input.
- Surge protection is standard on all models.

- Charging system is complete with low voltage disconnect, AC lockout, brownout protection.
- The brownout protection circuitry will automatically switch the unit into emergency mode if the utility voltage drops below 85% or nominal.
- The electronics diagnostic/charging platform with self-testing mode automatically runs a one minute self-test every 30 days and a 30 minute on the sixth and twelfth month. A one minute or 90 minute test may be initiated via the push to test switch on the unit or by activating the appropriate test command on the option IR test device
- Fault condition status of self-test, number of RED flashes:
 - 1 X – Battery Fault
 - 2 X – Lamp Failure
 - 3 X – Charger Fault
 - 4 X – Transfer Fault
- Both RED and GREEN LED'S fast toggle – AC line over voltage.
- Both RED and GREEN LED's slow toggle – AC line under voltage.

- Power Consumption
 - AC Only: Red = 3.8 Watts, Green = 4.0 Watts
 - Emergency Only: Red = 4.8 Watts, Green = 4.7 Watts

lamps

- Illumination of the exit stencil face is accomplished with long lasting, high output LED's.
- Hot spots and striations are eliminated by the internal light chamber, which is specially designed around the high performance LED array.
- Average illumination levels are in excess of 25ft (79 cd/m2).

battery

- Maintenance free, sealed nickel cadmium battery.
- Operating temperature range of -40°F (-40°C) to 113°F (45°C).
- Expected service life of 10 years.
- Standard sustained emergency operation is for 120 minutes with the LED illumination source providing full light output.
- Provides 90 minutes of emergency illumination.

warranty

- Five year warranty on exit.

CE-11800
rev. 7.

Commercial Exit Signs

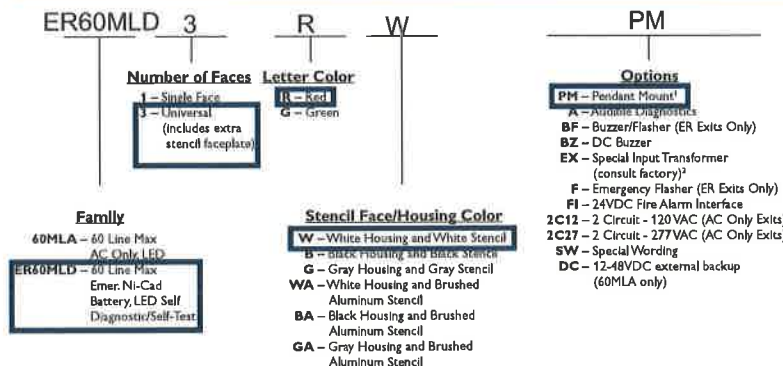
60 Line Max
Wet Location/Vandal
Resistant LED



Specifier's Reference

Project	
Type	
Model No.	
Comments	

Green Product Choice: ER60MLD3RW



Accessories

- T12PT00L – Tamperproof Tool
- 60PA12W – Pendant Assembly 12" Stem, White
- 60PA12B – Pendant Assembly 12" Stem, Black
- WG4 – Wire Guard
- SRT – Self-Test Infra-Red Remote Tester

Footnotes:

- ¹ Requires pendant assembly, order separately.
- ² Some options may impact UL listing. Consult factory for specifics.

© 2013 Koninklijke Philips Electronics N.V. All rights reserved. Specifications are subject to change without notice.

CE-11800 03/13

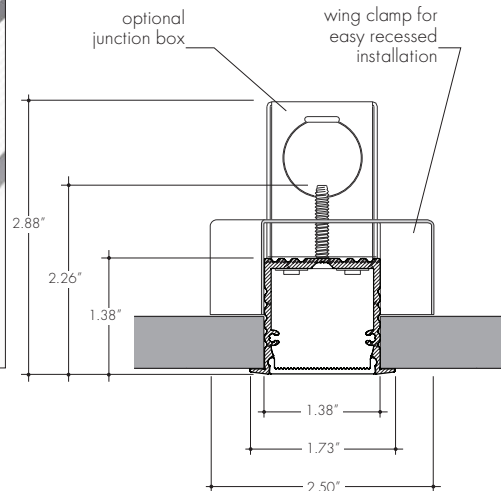


PHILIPS
CHLORIDE

Extruded aluminum linear illumination system, Kilo Recessed is available in sections up to 116" in total length. Specifically designed LED engine provides constant illumination levels from the beginning to the end of the runs. The Kilo Recessed fixture is suitable for general illumination, architectural accents, display cases and many other discrete recessed applications. Available with 72" plenum rated wire leads or with an integral junction box for splice connections. Class 2 listed for damp locations



The Kilo Recessed light fixture features two rows of LED strips



TYPE IC



dimmable

Finish options



Black powder coated



Bronze powder coated



Silver anodized



White powder coated

Technical information

Output Options

Output type	SO (2 x LL36)	MO (2 x LLX18)	HO (LLX22X2)
Lumens at 2900K clear lens	278 lum/ft	414 lum/ft	498 lum/ft
Average power consumption at 4'	6.4 W/ft	9.7 W/ft	9.8 W/ft
Maximum system length <i>Achievable via feed through fixture wiring.</i>	15'	10'	10'
Operating Voltage	24VDC	24VDC	24VDC

CCT/LUMEN MULTIPLIER

Color temperature	Multiplier (Multiple Light Output of 2900K HO)	CRI
2200 K	0.83	70+
2700 K	0.81	98
2900 K	1.00	97
3000 K	1.14	91
3500 K	0.98	95
4100 K	1.06	93

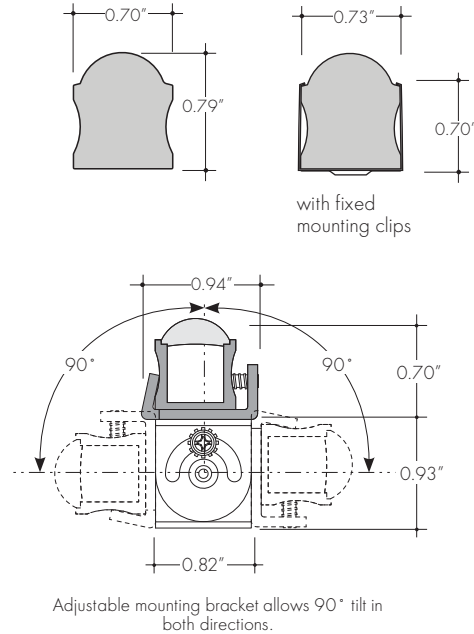
Ordering code for straight sections

MODEL	LENGTH	CCT	OUTPUT	LENS	FINISH	LEFT END	RIGHT END	POWER FEED
KR	12	22K	SO	C	SA	LE	RE	F1
KR - Kilo Recessed	12" - 116" 4" increments	22K - 2200K 27K - 2700K 29K - 2900K 30K - 3000K 35K - 3500K 41K - 4100K	SO - Standard MO - Medium HO - High	C - Clear F - Frosted	SA - Silver BK - Black BZ - Bronze WH - White <small>(BK,BZ,WH finishes will have an upcharge and require longer lead times)</small>	*LE - W/ endcap LN - WO/ endcap	*RE - W/ endcap RN - WO/ endcap	F1 - 72" wire leads JB1 - one integrated junction box

* Select for a straight run independently of the system



Extruded aluminum linear grazing system, Kendo M Wet Graze features a 11° lightly frosted lens. Available in sections up to 116" long, Kendo M Wet Graze is suitable for highlighting textured surfaces, stone walls or for edge lighting. Class 2 listed for wet location installations.



Finish options



Black powder coated



Bronze powder coated



Silver anodized



White powder coated

Technical information

Output Options

Output type	HO (LL54)	VHO (LL72)
Lumens at 4000K	262 lum/ft	355 lum/ft
Average power consumption at 4'	5.2 W/ft	6.5 W/ft
Maximum system length <i>Achievable via feed through fixture wiring.</i>	26'	18'
Operating Voltage	24VDC	24VDC

CCT / LUMEN MULTIPLIER

Color temperature	Multiplier <small>(Multiple Light Output of 4000K HO)</small>
2700 K	0.73
3000 K	0.81
4000 K	1.00

Ordering code

MODEL	LENGTH	CCT	OUTPUT	LENS	MOUNTING	FINISH	POWER FEED
KMWG	12	27K	HO	11	A	SA	F1
Kendo M Wet Graze	12"-116" 4" increments	27K - 2700 K 30K - 3000 K 40K - 4000 K	HO - High VHO - VeryHigh	11° - Semi-frosted	A - Adjustable F - Fixed	SA - Silver BK - Black BZ - Bronze WH - White <small>(BK,BZ,WH finishes will have an upcharge and require longer lead times)</small>	F1 - 72" wire leads F2 - 72" wire leads at one end and quick connect at other F3 - Single quick connect F4 - Dual quick connect