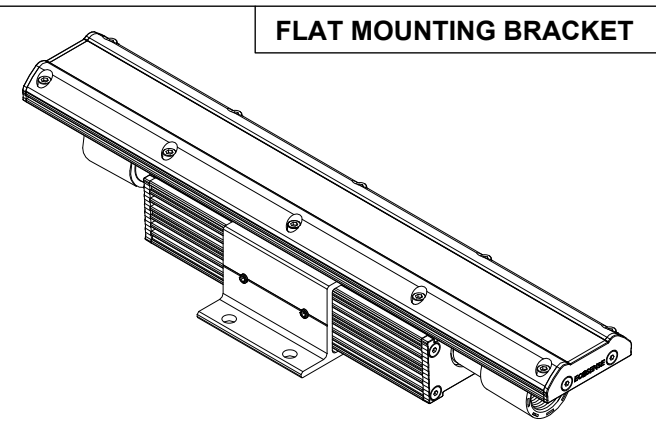
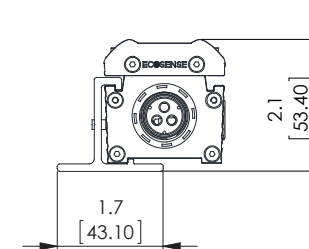
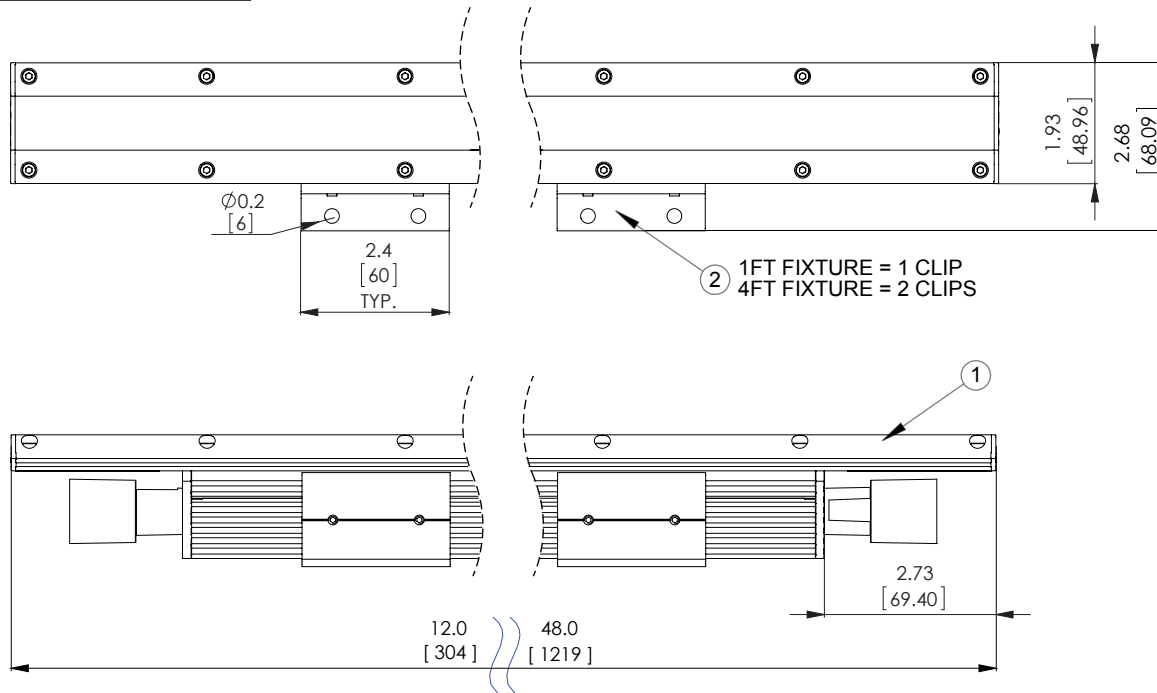


| ORDERING INFORMATION              |            | EXAMPLE: HPES-CC-12-30-120-120 |                  |                  |
|-----------------------------------|------------|--------------------------------|------------------|------------------|
| <b>HPES/HPEL-CC/CM/CF</b> - - - - |            |                                |                  |                  |
| MODEL                             | LENGTH     | COLOR                          | VOLTAGE          | OPTIC            |
| HPES-CC                           | 12 (1'-0") | 27 (2700K)                     | 120 (100-120VAC) | 120 (120°x 120°) |
| HPES-CM                           | 48 (4'-0") | 30 (3000K)                     | 277 (277VAC)     |                  |
| HPES-CF                           |            | 35 (3500K)                     |                  |                  |
| HPEL-CC                           |            | 40 (4000K)                     |                  |                  |
| HPEL-CM                           |            |                                |                  |                  |
| HPEL-CF                           |            |                                |                  |                  |



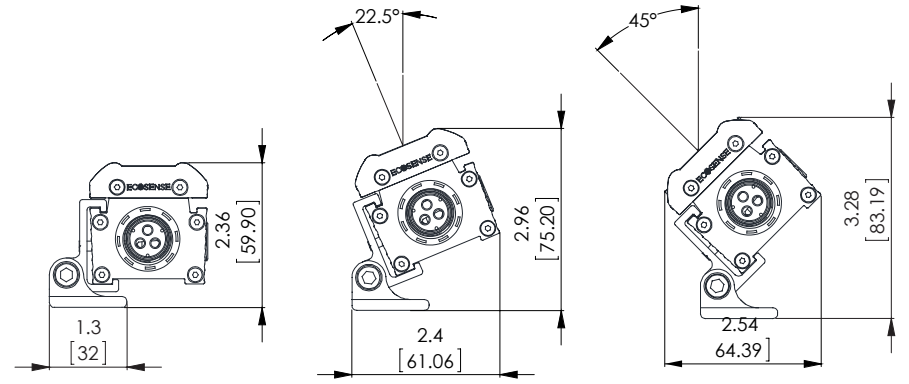
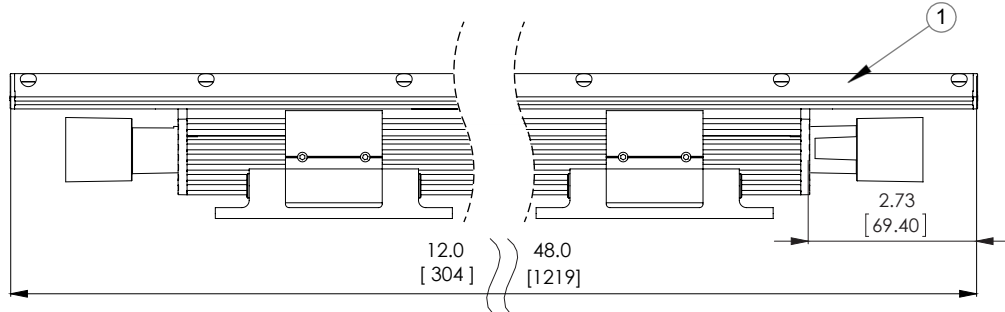
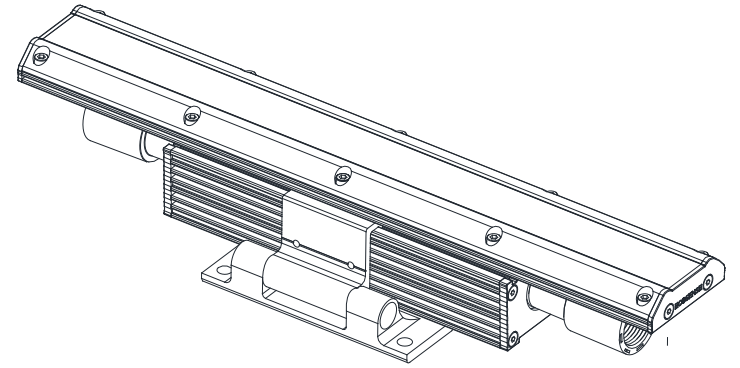
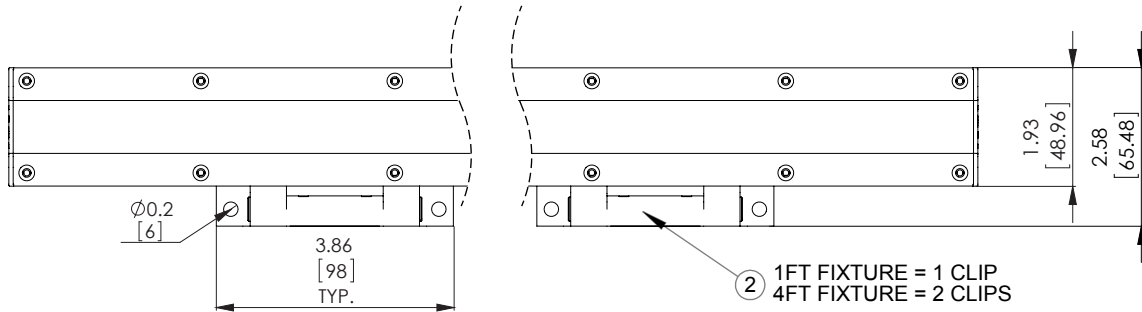
**FLAT MOUNTING BRACKET**



| ITEM NO. | PART NUMBER                | DESCRIPTION                                     | QTY   |
|----------|----------------------------|---|-------|
| 1        | HPES/HPEL-CC-XX-XX-XXX-120 | EcoSpec LINEAR HP EXT CONDUIT FIXTURE           | 1PC   |
| 2        | EXT-A-MNT-FLAT             | FLAT MOUNTING BRACKET, EXTERIOR COVE (INCLUDED) | 1-2PC |

|   |   |  |                                   |                        |  |
|---|---|--|-----------------------------------|------------------------|--|
| <b>PROPRIETARY AND CONFIDENTIAL</b><br>THE INFORMATION CONTAINED IN THIS DRAWING IS THE SOLE PROPERTY OF ECOSENSE LIGHTING. ANY REPRODUCTION IN PART OR AS A WHOLE WITHOUT THE WRITTEN PERMISSION OF ECOSENSE LIGHTING IS PROHIBITED. | <b>ECOSENSE</b><br>ECOSENSE LIGHTING, INC.<br>915 WILSHIRE BOULEVARD<br>SUITE 2175<br>LOS ANGELES, CA 90017<br>TEL: 855.632.6736 FAX: 310.496.6256<br>INFO@ECOSENSELIGHTING.COM<br>WWW.ECOSENSELIGHTING.COM | UNLESS OTHERWISE SPECIFIED   | DRAWN                             | DATE 22-JUL-14         | <b>EcoSpec<br/>LINEAR HP EXT CONDUIT</b> |
|   |   | DIMENSIONS IN INCHES/[MM]<br>.XX ± .01"/.25MM ANGLE ± 1°<br>.XXX ± .005"/.15MM FRACTION ± 1/64"<br>INTERPRET ACCORDING TO ASME Y14.5 | CHECKED                           | DATE 22-JUL-14         |  |
|   |   | THIRD ANGLE PROJECTION   | MATERIAL ALUMINUM - POLYCARBONATE |                        | DWG. NO <b>LINEAR HP EXT - SPEC</b>      |
|   |   |  | FINISH ANODIZED - PAINTED         | DO NOT UPDATE MANUALLY | SCALE 1:3 SIZE A SHEET 1 OF 6            |

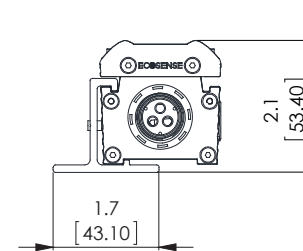
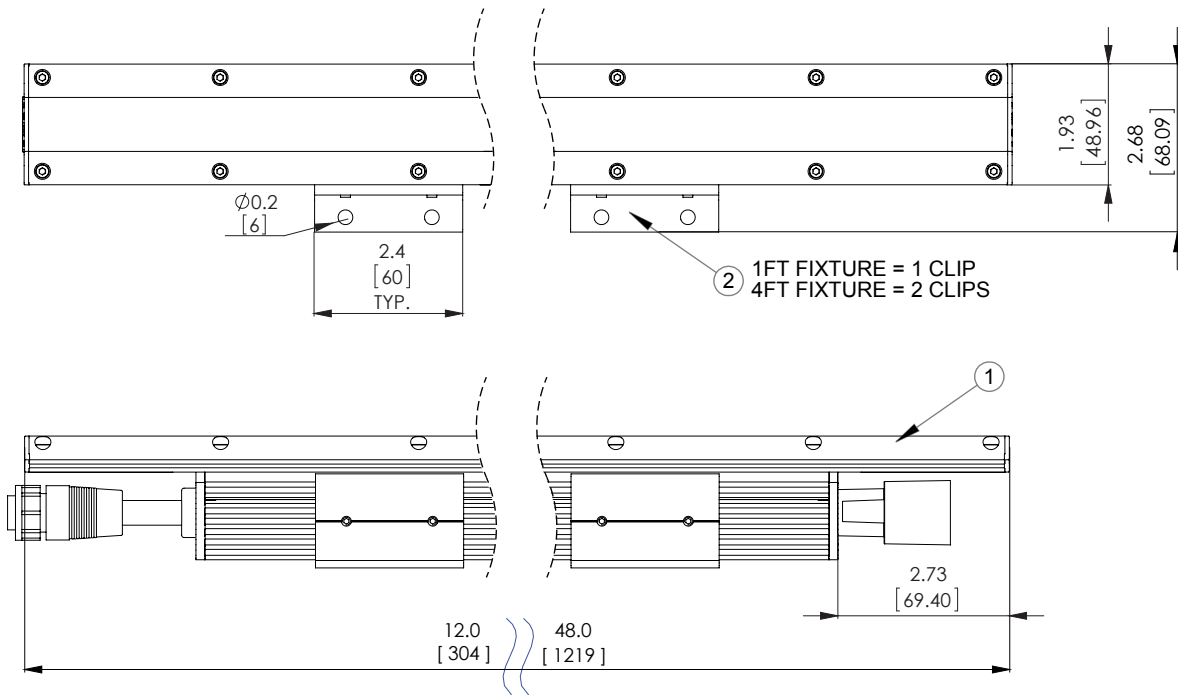
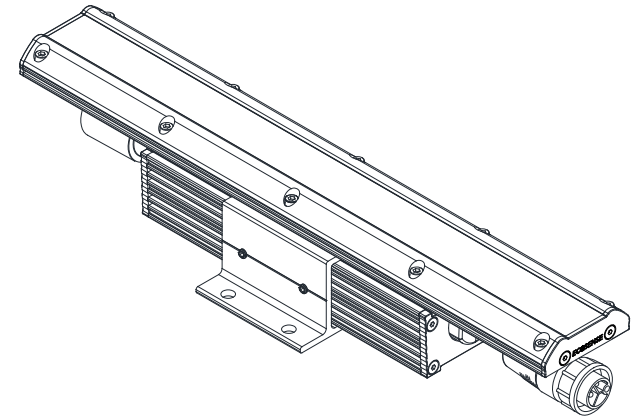
**ADJUSTABLE HINGED CLIP**



| ITEM NO. | PART NUMBER                | DESCRIPTION                           | QTY   |
|----------|----------------------------|---------------------------------------|-------|
| 1        | HPES/HPCL-CC-XX-XX-XXX-120 | EcoSpec LINEAR HP EXT CONDUIT FIXTURE | 1PC   |
| 2        | EXT-A-MNT-ADJ              | ADJUSTABLE BRACKET, LINEAR WW EXT     | 1-2PC |

|   |  |  |          |      |   |       |        |
|---|--|--|----------|------|---|-------|--------|
| <b>PROPRIETARY AND CONFIDENTIAL</b><br>THE INFORMATION CONTAINED IN THIS DRAWING IS THE SOLE PROPERTY OF ECOSENSE LIGHTING. ANY REPRODUCTION IN PART OR AS A WHOLE WITHOUT THE WRITTEN PERMISSION OF ECOSENSE LIGHTING IS PROHIBITED. | <br>ECOSENSE LIGHTING, INC.<br>915 WILSHIRE BOULEVARD<br>SUITE 2175<br>LOS ANGELES, CA 90017<br>TEL: 855.632.6736 FAX: 310.496.6256<br>INFO@ECOSENSELIGHTING.COM<br>WWW.ECOSENSELIGHTING.COM | UNLESS OTHERWISE SPECIFIED   | DRAWN    | DATE | <b>EcoSpec<br/>         LINEAR HP EXT CONDUIT</b> |       |        |
|   |  | DIMENSIONS IN<br><b>INCHES/[MM]</b><br>.XX ± .01"/.25MM ANGLE ± 1°<br>.XXX ± .005"/.15MM FRACTION ± 1/64"<br>INTERPRET ACCORDING TO ASME Y14.5 | CHECKED  | DATE |   |       |        |
|   |  | THIRD ANGLE PROJECTION   | MATERIAL |      | DWG. NO   |       |        |
|   |  |  | FINISH   |      | DO NOT UPDATE MANUALLY                            | SCALE | SIZE   |
| 5   | 4  | 3  | 2        | 1    | 1:3   | A     | 2 OF 6 |

**FLAT MOUNTING BRACKET**



| ITEM NO. | PART NUMBER                | DESCRIPTION                                     | QTY   |
|----------|----------------------------|---|-------|
| 1        | HPES/HPXL-CM-XX-XX-XXX-120 | EcoSpec LINEAR HP EXT CONDUIT FITTURE           | 1PC   |
| 2        | EXT-A-MNT-FLAT             | FLAT MOUNTING BRACKET, EXTERIOR COVE (INCLUDED) | 1-2PC |

**PROPRIETARY AND CONFIDENTIAL**

THE INFORMATION CONTAINED IN THIS DRAWING IS THE SOLE PROPERTY OF ECOSENSE LIGHTING. ANY REPRODUCTION IN PART OR AS A WHOLE WITHOUT THE WRITTEN PERMISSION OF ECOSENSE LIGHTING IS PROHIBITED.



ECOSENSE LIGHTING, INC.  
915 WILSHIRE BOULEVARD  
SUITE 2175  
LOS ANGELES, CA 90017  
TEL: 855.632.6736 FAX: 310.496.6256  
INFO@ECOSENSELIGHTING.COM  
WWW.ECOSENSELIGHTING.COM

UNLESS OTHERWISE SPECIFIED

DIMENSIONS IN INCHES/[MM]  
.XX ± .01"/.25MM ANGLE ± 1°  
.XXX ± .005"/.15MM FRACTION ± 1/64"  
INTERPRET ACCORDING TO ASME Y14.5



DRAWN

DATE 22-JUL-14

DESCRIPTION

**EcoSpec  
LINEAR HP EXT CONDUIT**

CHECKED

DATE 22-JUL-14

DWG. NO

**LINEAR HP EXT - SPEC**

MATERIAL

ALUMINUM - POLYCARBONATE

FINISH

ANODIZED - PAINTED

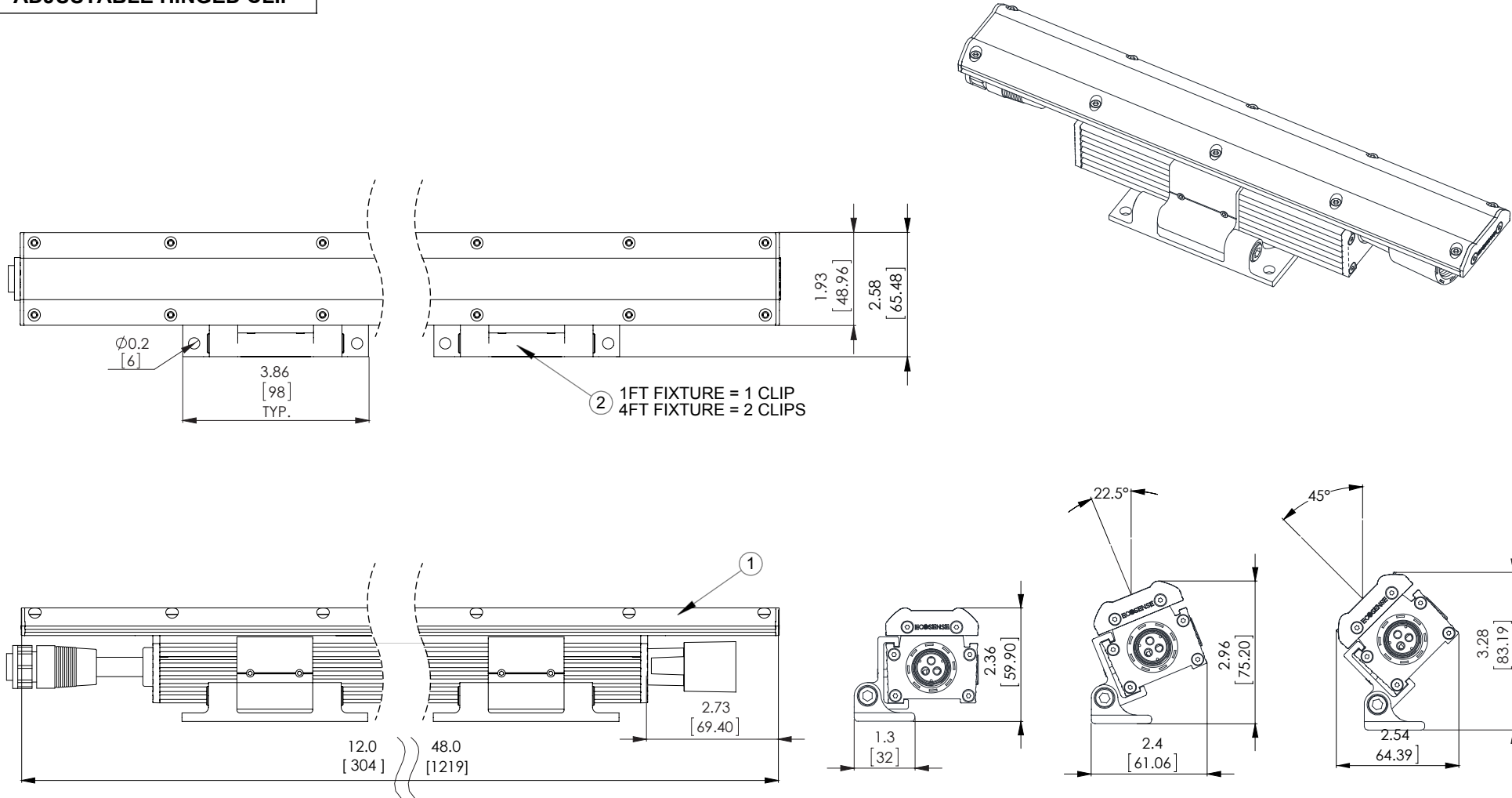
DO NOT UPDATE MANUALLY

SCALE 1:3

SIZE A

SHEET 3 OF 6

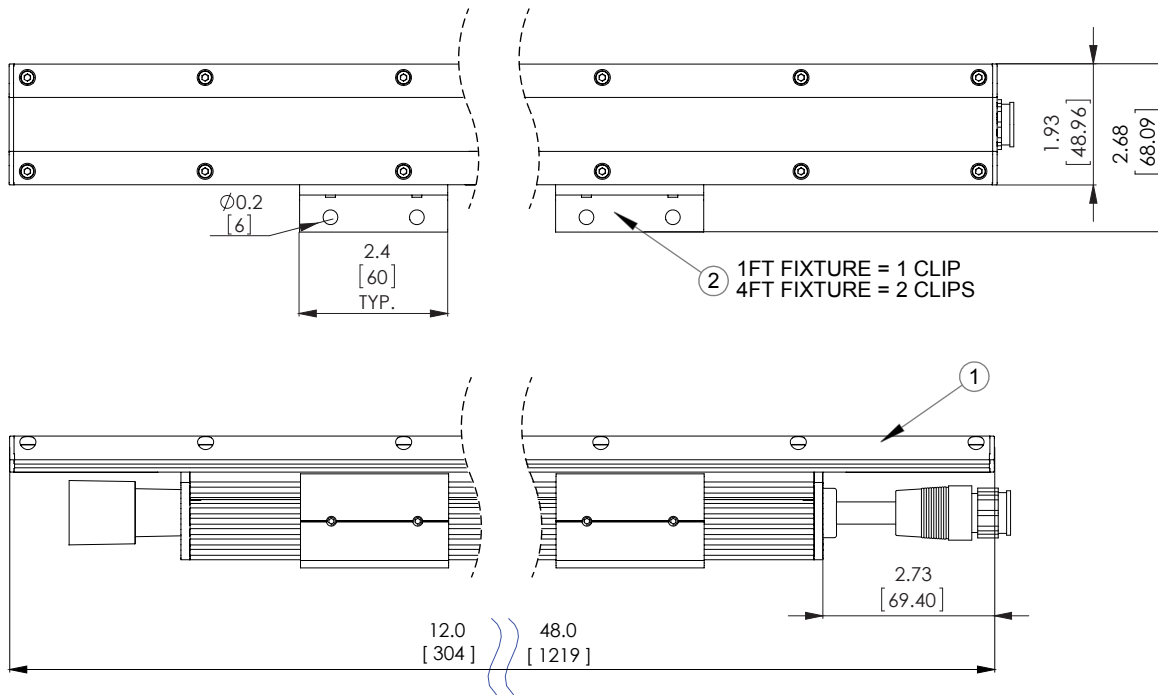
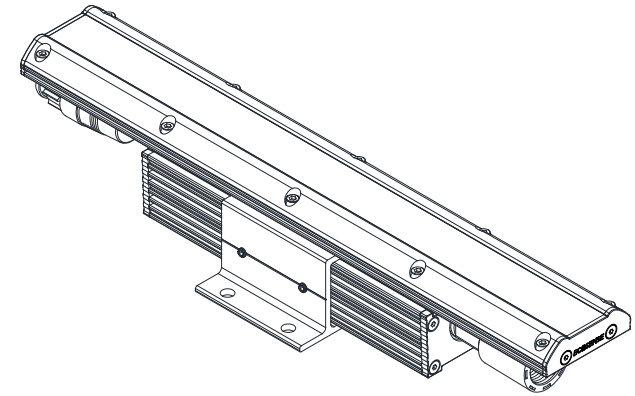
**ADJUSTABLE HINGED CLIP**



| ITEM NO. | PART NUMBER                | DESCRIPTION                           | QTY   |
|----------|----------------------------|---------------------------------------|-------|
| 1        | HPES/HPXL-CM-XX-XX-XXX-120 | EcoSpec LINEAR HP EXT CONDUIT FIXTURE | 1PC   |
| 2        | EXT-A-MNT-ADJ              | ADJUSTABLE BRACKET, LINEAR WW EXT     | 1-2PC |

|   |   |  |          |                          |                                      |
|---|---|--|----------|--------------------------|--------------------------------------|
| <b>PROPRIETARY AND CONFIDENTIAL</b><br>THE INFORMATION CONTAINED IN THIS DRAWING IS THE SOLE PROPERTY OF ECOSENSE LIGHTING. ANY REPRODUCTION IN PART OR AS A WHOLE WITHOUT THE WRITTEN PERMISSION OF ECOSENSE LIGHTING IS PROHIBITED. | <b>ECOSENSE</b><br>ECOSENSE LIGHTING, INC.<br>915 WILSHIRE BOULEVARD<br>SUITE 2175<br>LOS ANGELES, CA 90017<br>TEL: 855.632.6736 FAX: 310.496.6256<br>INFO@ECOSENSELIGHTING.COM<br>WWW.ECOSENSELIGHTING.COM | UNLESS OTHERWISE SPECIFIED<br><br>DIMENSIONS IN INCHES/[MM]<br>.XX ± .01"/.25MM ANGLE ± 1°<br>.XXX ± .005"/.15MM FRACTION ± 1/64"<br>INTERPRET ACCORDING TO ASME Y14.5<br><br>THIRD ANGLE PROJECTION | DRAWN    | DATE 22-JUL-14           | <b>EcoSpec LINEAR HP EXT CONDUIT</b> |
|   |   |  | CHECKED  | DATE 22-JUL-14           |                                      |
|   |   |  | MATERIAL | ALUMINUM - POLYCARBONATE | DWG. NO                              |
|   |   |  | FINISH   | ANODIZED - PAINTED       | <b>LINEAR HP EXT - SPEC</b>          |
|   |   |  |          |                          | DO NOT UPDATE MANUALLY               |
|   |   |  |          |                          | SCALE 1:3                            |
|   |   |  |          |                          | SIZE A                               |
|   |   |  |          |                          | SHEET 4 OF 6                         |

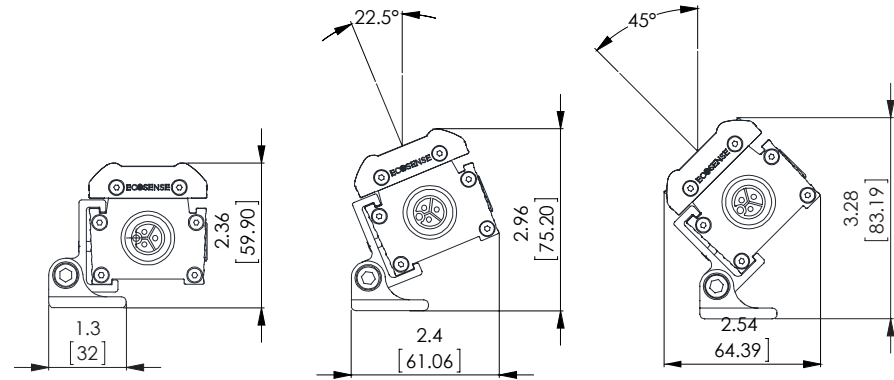
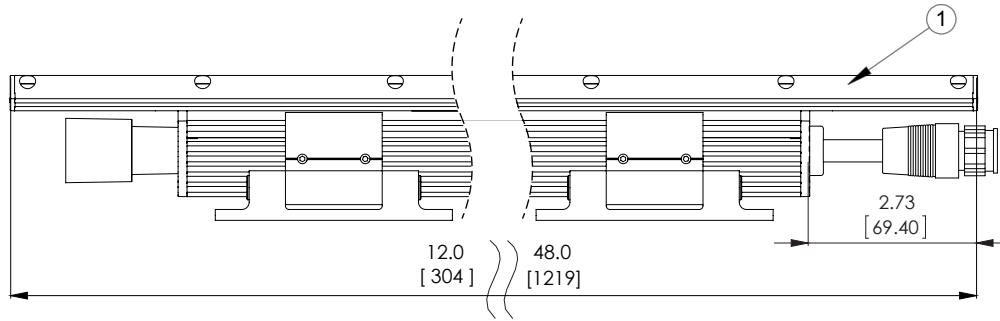
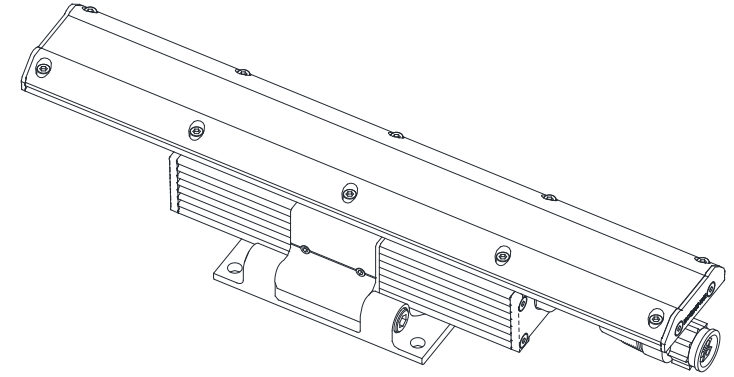
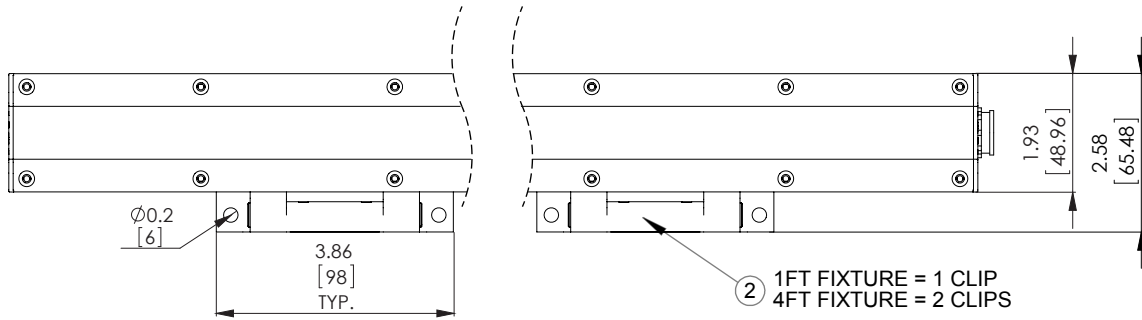
**FLAT MOUNTING BRACKET**



| ITEM NO. | PART NUMBER                | DESCRIPTION                                     | QTY   |
|----------|----------------------------|---|-------|
| 1        | HPES/HPCL-CF-XX-XX-XXX-120 | EcoSpec LINEAR HP EXT CONDUIT FIXTURE           | 1PC   |
| 2        | EXT-A-MNT-FLAT             | FLAT MOUNTING BRACKET, EXTERIOR COVE (INCLUDED) | 1-2PC |

|  |  |   |                                      |  |   |  |                               |
|--|--|---|--------------------------------------|--|---|--|-------------------------------|
| <p><b>PROPRIETARY AND CONFIDENTIAL</b></p> <p>THE INFORMATION CONTAINED IN THIS DRAWING IS THE SOLE PROPERTY OF ECOSENSE LIGHTING. ANY REPRODUCTION IN PART OR AS A WHOLE WITHOUT THE WRITTEN PERMISSION OF ECOSENSE LIGHTING IS PROHIBITED.</p> | <p><b>ECOSENSE</b></p> <p>ECOSENSE LIGHTING, INC.<br/>915 WILSHIRE BOULEVARD<br/>SUITE 2175<br/>LOS ANGELES, CA 90017<br/>TEL: 855.632.6736 FAX: 310.496.6256<br/>INFO@ECOSENSELIGHTING.COM<br/>WWW.ECOSENSELIGHTING.COM</p> | <p>UNLESS OTHERWISE SPECIFIED</p> <p>DIMENSIONS IN INCHES/[MM]</p> <p>.XX ± .01"/.25MM ANGLE ± 1°<br/>.XXX ± .005"/.15MM FRACTION ± 1/64"<br/>INTERPRET ACCORDING TO ASME Y14.5</p> <p>THIRD ANGLE PROJECTION</p> | <p>DRAWN</p> <p>DATE 22-JUL-14</p>   | <p>DESCRIPTION</p> <p><b>EcoSpec LINEAR HP EXT CONDUIT</b></p> |   |  |                               |
|  |  |   | <p>CHECKED</p> <p>DATE 22-JUL-14</p> | <p>MATERIAL</p> <p>ALUMINUM - POLYCARBONATE</p>                | <p>FINISH</p> <p>ANODIZED - PAINTED</p> | <p>DWG. NO</p> <p>LINEAR HP EXT - SPEC</p> | <p>DO NOT UPDATE MANUALLY</p> |

**ADJUSTABLE HINGED CLIP**



| ITEM NO. | PART NUMBER                | DESCRIPTION                           | QTY   |
|----------|----------------------------|---------------------------------------|-------|
| 1        | HPES/HPCL-CF-XX-XX-XXX-120 | EcoSpec LINEAR HP EXT CONDUIT FIXTURE | 1PC   |
| 2        | EXT-A-MNT-ADJ              | ADJUSTABLE BRACKET, LINEAR WW EXT     | 1-2PC |

|  |  |  |   |  |                         |   |                            |
|--|--|--|---|--|-------------------------|---|----------------------------|
| <p><b>PROPRIETARY AND CONFIDENTIAL</b></p> <p>THE INFORMATION CONTAINED IN THIS DRAWING IS THE SOLE PROPERTY OF ECOSENSE LIGHTING. ANY REPRODUCTION IN PART OR AS A WHOLE WITHOUT THE WRITTEN PERMISSION OF ECOSENSE LIGHTING IS PROHIBITED.</p> | <p><b>ECOSENSE</b></p> <p>ECOSENSE LIGHTING, INC.<br/>915 WILSHIRE BOULEVARD<br/>SUITE 2175<br/>LOS ANGELES, CA 90017<br/>TEL: 855.632.6736 FAX: 310.496.6256<br/>INFO@ECOSENSELIGHTING.COM<br/>WWW.ECOSENSELIGHTING.COM</p> | <p>UNLESS OTHERWISE SPECIFIED</p> <p>DIMENSIONS IN INCHES/[MM]</p> <p>.XX ± .01"/.25MM ANGLE ± 1°<br/>.XXX ± .005"/.15MM FRACTION ± 1/64"</p> <p>INTERPRET ACCORDING TO ASME Y14.5</p> <p>THIRD ANGLE PROJECTION</p> | <p>DRAWN</p> <p>DATE 22-JUL-14</p>      | <p>DESCRIPTION</p> <p><b>EcoSpec LINEAR HP EXT CONDUIT</b></p> |                         |   |                            |
|  |  |  | <p>CHECKED</p> <p>DATE 22-JUL-14</p>    | <p>MATERIAL</p> <p>ALUMINUM - POLYCARBONATE</p>                |                         | <p>DWG. NO</p> <p><b>LINEAR HP EXT - SPEC</b></p> |                            |
|  |  |  | <p>FINISH</p> <p>ANODIZED - PAINTED</p> | <p>DO NOT UPDATE MANUALLY</p>                                  | <p>SCALE</p> <p>1:3</p> | <p>SIZE</p> <p>A</p>                              | <p>SHEET</p> <p>6 OF 6</p> |