

# RYOBI®

ORIGINAL INSTRUCTIONS

## Pole Hedge Trimmer Power Head Attachment

OHT18



## **Important!**

It is essential that you read the instructions in this manual before assembling, operating and maintaining the product.

Subject to technical modification.

Safety, performance, and dependability have been given top priority in the design of your pole hedge trimmer power head attachment.

## INTENDED USE

This pole hedge trimmer power head attachment is approved for use with telescopic pole handles of OPP1850 and OHT1860S.

The pole hedge trimmer power head attachment is only intended for use outdoors by a single person who is standing firm on a solid ground. For safety reasons, the product must be adequately controlled by using two-handed operation.

The product is designed for home or domestic use. It is intended to cut and trim hedges, shrubs, and similar vegetation. It is intended to be used only by adults who have read and understood the instructions and warnings in the attachment and powerhead manuals, and who can be considered responsible for their actions. The product is designed to be extended to a maximum length of 3.2 m. Do not exceed this working length.

It should be used in dry, well-illuminated conditions. It is not intended to cut grass, trees, or branches.

Do not use the product for any other purpose.

## GENERAL POWER TOOL SAFETY WARNINGS

### WARNING

Read all safety warnings, instructions, illustrations, and specifications provided with this power tool. Failure to follow the warnings and instructions may result in electric shock, fire, and/or serious injury.

### Save all warnings and instruction for future reference.

The term "power tool" in the warnings refers to your mains-operated (corded) power tool or battery-operated (cordless) power tool.

## WORK AREA SAFETY

- **Keep work area clean and well lit.** Cluttered or dark areas invite accidents.
- **Do not operate power tools in explosive atmospheres, such as in the presence of flammable liquids, gases or dust.** Power tools create sparks which may ignite the dust or fumes.
- **Keep children and bystanders away while operating a power tool.** Distractions can cause you to lose control.

## ELECTRICAL SAFETY

- **Power tool plugs must match the outlet. Never modify the plug in any way. Do not use any adapter plugs with earthed (grounded) power tools.** Unmodified plugs and matching outlets will reduce risk of electric shock.
- **Avoid body contact with earthed or grounded surfaces, such as pipes, radiators, ranges and refrigerators.** There is an increased risk of electric shock if your body is earthed or grounded.
- **Do not expose power tools to rain or wet conditions.** Water entering a power tool will increase the risk of

electric shock.

- **Do not abuse the cord. Never use the cord for carrying, pulling or unplugging the power tool. Keep cord away from heat, oil, sharp edges or moving parts.** Damaged or entangled cords increase the risk of electric shock.
- **When operating a power tool outdoors, use an extension cord suitable for outdoor use.** Use of a cord suitable for outdoor use reduces the risk of electric shock.
- **If operating a power tool in a damp location is unavoidable, use a residual current device (RCD) protected supply.** Use of an RCD reduces the risk of electric shock.

## PERSONAL SAFETY

- **Stay alert, watch what you are doing and use common sense when operating a power tool. Do not use a power tool while you are tired or under the influence of drugs, alcohol or medication.** A moment of inattention while operating power tools may result in serious personal injury.
- **Use personal protective equipment. Always wear eye protection.** Protective equipment such as dust mask, non-skid safety shoes, hard hat, or hearing protection used for appropriate conditions will reduce personal injury.
- **Prevent unintentional starting. Ensure the switch is in the off-position before connecting to power source and/or battery pack, picking up or carrying the tool.** Carrying power tools with your finger on the switch or energising power tools that have the switch on invites accidents.
- **Remove any adjusting key or wrench before turning the power tool on.** A wrench or a key left attached to a rotating part of the power tool may result in personal injury.
- **Do not overreach. Keep proper footing and balance at all times.** This enables better control of the power in unexpected situations.
- **Dress properly. Do not wear loose clothing or jewellery. Keep your hair, clothing and gloves away from moving parts.** Loose clothes, jewellery or long hair can be caught in moving parts.
- **If devices are provided for the connection of dust extraction and collection facilities, ensure these are connected and properly used.** Use of dust collection can reduce dust-related hazards.
- **Do not let familiarity gained from frequent use of tools allow you to become complacent and ignore tool safety principles.** A careless action can cause severe injury within a fraction of a second.

## POWER TOOL USE AND CARE

- **Do not force the power tool. Use the correct power tool for your application.** The correct power tool will do the job better and safer at the rate for which it was designed.
- **Do not use the power tool if the switch does not turn it on and off.** Any power tool that cannot be controlled with switch is dangerous and must be repaired.
- **Disconnect the plug from the power source and/or**

**the battery pack from the power tool before making any adjustments, changing accessories, or storing power tools.** Such preventive safety measures reduce the risk of starting the power tool accidentally.

- **Store idle power tools out of the reach of children and do not allow persons unfamiliar with the power tool or these instructions to operate the power tool.** Power tools are dangerous in the hands of untrained users.
- **Maintain power tools. Check for misalignment or binding of moving parts, breakage of parts and any other condition that may affect the power tool's operation. If damaged, have the power tool repaired before use.** Many accidents are caused by poorly maintained power tools.
- **Keep cutting tools sharp and clean.** Properly maintained cutting tools with sharp cutting edges are less likely to bind and are easier to control.
- **Use the power tool, accessories and tool bits etc. in accordance with these instructions, taking into account the working conditions and the work to be performed.** Use of the power tool for operations different from those intended could result in a hazardous situation.
- **Keep handles and grasping surfaces dry, clean and free from oil and grease.** Slippery handles and grasping surfaces do not allow for safe handling and control of the tool in unexpected situations.

#### SERVICE

- **Have your power tool serviced by a qualified repair person using only identical replacement parts.** This will ensure that safety of the power tool is maintained.
- **Never service damaged battery packs.** Service of battery packs should only be performed by the manufacturer or authorized service providers.

#### POLE HEDGE TRIMMER SAFETY WARNINGS

- Keep all parts of the body away from the cutter blade. A moment of inattention while operating the pole hedge trimmer may result in serious personal injury.
- Carry the pole hedge trimmer by the handle with cutter blade stopped. When transporting or storing the pole hedge trimmer always fit the cutting device cover. Proper handling of the pole hedge trimmer reduces possible personal injury from the cutter blades.

#### ADDITIONAL SAFETY WARNINGS

- Some regions have regulations that restrict the use of the product to some operations. Check with your local authority for advice. Read all instructions.
- Clear the work area before each use. Remove all objects such as cords, lights, wire, or string which can be thrown or become entangled in the cutting means.
- Check the hedge for foreign objects, such as wire fences.
- Exercise additional caution when using the product near fencing, posts, buildings, or other immovable objects.
- To protect yourself from electrocution, do not operate the product within 10 m of overhead electrical lines.

- Beware of thrown objects; keep all bystanders, children, and pets at least 15 m away from work area. Stop the product if anyone enters the area.
- Do not allow children or untrained individuals to use the product.
- Check constantly for persons or animals behind or inside any hedge or bush to be trimmed.
- Do not operate the product in poor lighting. The operator requires a clear view of the work area to identify potential hazards.
- Ensure that all handles and guards are fitted when using the pole hedge trimmer. Never attempt to use an incomplete pole hedge trimmer or one fitted with an unauthorised modification.
- Ensure before each use that all controls and safety devices function correctly. Do not use the product if the motor does not stop when releasing the trigger.
- Inspect the product before each use. Check for loose fasteners. Make sure that all guards and handles are properly and securely attached. Replace any damaged parts before use.
- Do not modify the product in any way.
- Wear full eye and hearing protection while operating the product. If working in an area where there is a risk of falling objects, head protection must be worn.
- Wear heavy, long trousers, boots, and gloves. Do not wear loose fitting clothing, short trousers, jewellery of any kind, or use with bare feet.
- Secure long hair so it is above shoulder level to prevent entanglement in moving parts.
- Use of hearing protection reduces the ability to hear warnings (shouts or alarms). The operator must pay extra attention to what is going on in the working area.
- Operating similar tools nearby increases both the risk of hearing injury and the potential for other persons to enter your working area.
- Do not use the product while tired, ill, or under the influence of alcohol, drugs, or medication.
- Keep firm footing and balance. Do not overreach. Overreaching can result in loss of balance and can result in serious injury, or exposure to hot surfaces.
- Keep all parts of your body away from any moving part.
- Before starting the product, make sure the cutting blades will not come in contact with anything.
- Never operate the product in an explosive atmosphere.
- While operating the product, always hold it firmly with both hands by the two handles and ensure that the operating position is safe and secure. The manufacturer does not recommend the use of steps or ladders.
- Ensure that the pole hedge trimmer is correctly located in a designated working position before starting the product.
- Use the harness if it is supplied with your pole hedge trimmer. It will assist you to support the weight of the product during use and while moving between trimming positions. Carefully adjust the harness to fit comfortably.
- Identify the quick release mechanism and practice using it before you start using the product. Its correct use may prevent serious injury in the case of an emergency. Never wear additional clothing over the harness or otherwise restrict access to the quick

release mechanism.

- Blades are sharp. When handling the blade assembly, wear non-slip, heavy-duty protective gloves. Do not place your hand or fingers between blades or in any position where they could get pinched or cut.
- Turn off the product, and remove the battery pack. Make sure that all moving parts have come to stop, and allow the pole hedge trimmer to cool down:
  - before adjusting the working position of the cutting device
  - before cleaning or clearing a blockage
  - before leaving the product unattended
  - before checking, maintaining, or working on the product.
- Do not force the product through heavy shrubbery. This can cause the blades to bind and slow down. If the blades slow down, reduce the pace.
- Do not attempt to cut stems or twigs that are larger than 18 mm thick, or those obviously too large to feed into the cutting blade. Use a non-powered hand saw or pruning saw to trim large stems.
- Do not operate the product with damaged or excessively worn blades.
- If the cutting mechanism strikes any foreign object or the pole hedge trimmer starts making unusual noise or vibration, stop the product, remove the battery, and allow the product to stop before you do the following:
  - inspect for damage
  - check for, and tighten, any loose parts
  - have any damage parts replaced or repaired with parts having equivalent specifications.

#### **⚠ WARNING**

If the product is dropped, suffers heavy impact, or begins to vibrate abnormally, immediately stop the product and inspect for damage or identify the cause of the vibration. Any damage should be properly repaired or replaced by an authorised service centre.

#### **⚠ WARNING**

Check that all the shaft couplings on the extension shaft and tool are securely fastened before each use and at frequent intervals.

### **TRANSPORTATION AND STORAGE**

- Stop the product, remove the battery, and allow both to cool before storing or transporting
- Clean all foreign material from the product. Store it in a cool, dry, and well-ventilated place that is inaccessible to children. For extra safety, store the battery separately from the pole hedge trimmer. Keep away from corrosive agents such as garden chemicals and de-icing salts. Do not store outdoors.
- Cover the blade with the blade protector before storing the product or during transportation.
- For transportation in a vehicle, secure the product against movement or falling to prevent injury to persons or damage to the product.

### **MAINTENANCE**

#### **⚠ WARNING**

Use only original manufacturer's replacement parts, accessories, and attachments. Failure to do so can cause possible injury, can contribute to poor performance, and may void your warranty.

#### **⚠ WARNING**

Servicing requires extreme care and knowledge and should be performed only by a qualified service technician. Have the product serviced by an authorised service centre only. When servicing, use only original replacement parts.

#### **⚠ WARNING**

The blades are sharp. To prevent personal injury, exercise extreme caution when cleaning, lubricating and fitting, or removing the blade protector.

- Turn off the product, remove the battery and make sure all moving parts have come to a complete stop before conducting any maintenance or cleaning work.
- You may only make adjustments or repairs described in this manual. For other repairs, contact the authorised service centre.
- After each use, clean the product with a soft, dry cloth.
- After each use, clean the debris from the blades with a stiff brush, and then carefully apply a rust preventative lubricant before refitting the blade protector. Use the recommended rust preventative and lubricant spray to apply an even distribution and reduce the risk of personal injury from contact with the blades. For information about suitable spray product, check with your local authorised service centre.
- Lubricate the blades lightly before use if necessary using the above method.
- Check all nuts, bolts, and screws at frequent intervals for proper tightness to ensure that the product is in safe working condition. Any part that is damaged should be properly repaired or replaced by an authorised service centre.

### **RESIDUAL RISK**

Even when the product is used as prescribed, it is still impossible to completely eliminate certain residual risk factors. The following hazards may arise during use and the operator should pay special attention to avoid the following:

- injury caused by contact with the blades
  - The blade cannot be guarded while cutting. Keep the blade away from yourself and others. Cover it with the blade protector when the product is not in use.
- injury caused by vibration
  - Always use the right tool for the job. Use designated handles and restrict working time and exposure.
- hearing damage caused by exposure to noise

- Wear ear protection and limit exposure.

## RISK REDUCTION

It has been reported that vibrations from handheld tools may contribute to a condition called Raynaud's Syndrome. Symptoms may include tingling, numbness and blanching of the fingers, usually apparent upon exposure to cold. Hereditary factors, exposure to cold and dampness, diet, smoking, and work practices are all thought to contribute to the development of these symptoms. There are measures that can be taken by the operator to possibly reduce the effects of vibration:

- Keep your body warm in cold weather. When operating the unit, wear gloves to keep the hands and wrists warm. It is reported that cold weather is a major factor contributing to Raynaud's Syndrome.
- After each period of operation, exercise to increase blood circulation.
- Take frequent work breaks. Limit the amount of exposure per day.

If you experience any of the symptoms of this condition, immediately discontinue use and see your physician.

### ⚠ WARNING

Injuries may be caused, or aggravated, by prolonged use of a tool. When using any tool for prolonged periods, ensure you take regular breaks.

## WHAT'S IN THE BOX

See page 6.

1. Hedge trimmer attachment x 1
2. Blade protector x 1
3. Operator's manual x 1
4. HEDGESWEEP attachment x 1

## SYMBOLS ON THE PRODUCT



Safety alert



Read and understand all instructions before operating the product, follow all warnings and safety instructions.



Wear eye, ear and head protection.



Wear non-slip safety footwear when using the product.



Wear non-slip, heavy duty gloves.



Do not expose to rain or damp condition.



Sharp cutting blades. To prevent serious injury, do not touch cutting blades.



Pull: Quick release tab



Regulatory Compliance Mark (RCM). The product meets applicable regulatory requirements.



Electrical hazard, at least 10 m away from the overhead electric-power lines



Beware of thrown or flying objects. Keep all bystanders, especially children and pets, at least 15 m away from the operating area



Waste electrical products should not be disposed of with household waste. Please recycle where facilities exist. Check with your local authority or retailer for recycling advice.



The guaranteed sound power level is 96 dB



## SYMBOLS IN THIS MANUAL



Parts or accessories sold separately



Note



Warning

The following signal words and meanings are intended to explain the levels of risk associated with this product.

### ⚠ DANGER

Indicates an imminently hazardous situation, which, if not avoided, will result in death or serious injury.

### ⚠ WARNING

Indicates a potentially hazardous situation, which, if not avoided, could result in death or serious injury.

### ⚠ CAUTION

Indicates a potentially hazardous situation, which, if not

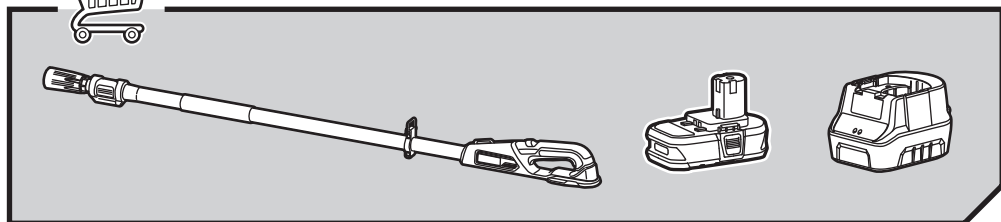
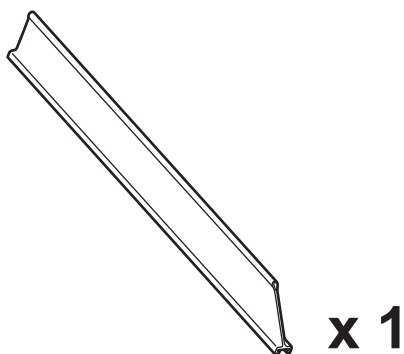
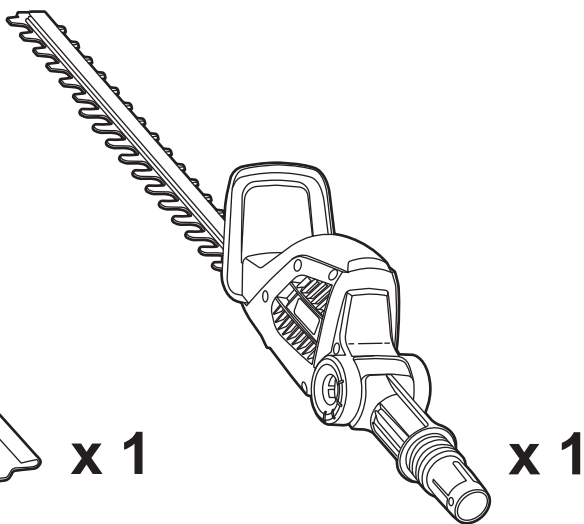
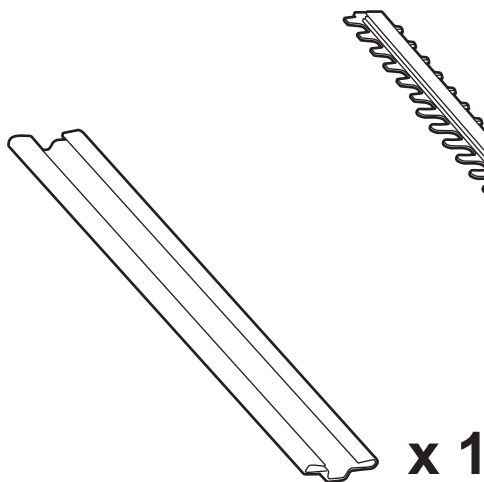
avoided, may result in minor or moderate injury.

**CAUTION**

Without safety alert symbol

Indicates a situation that may result in property damage.

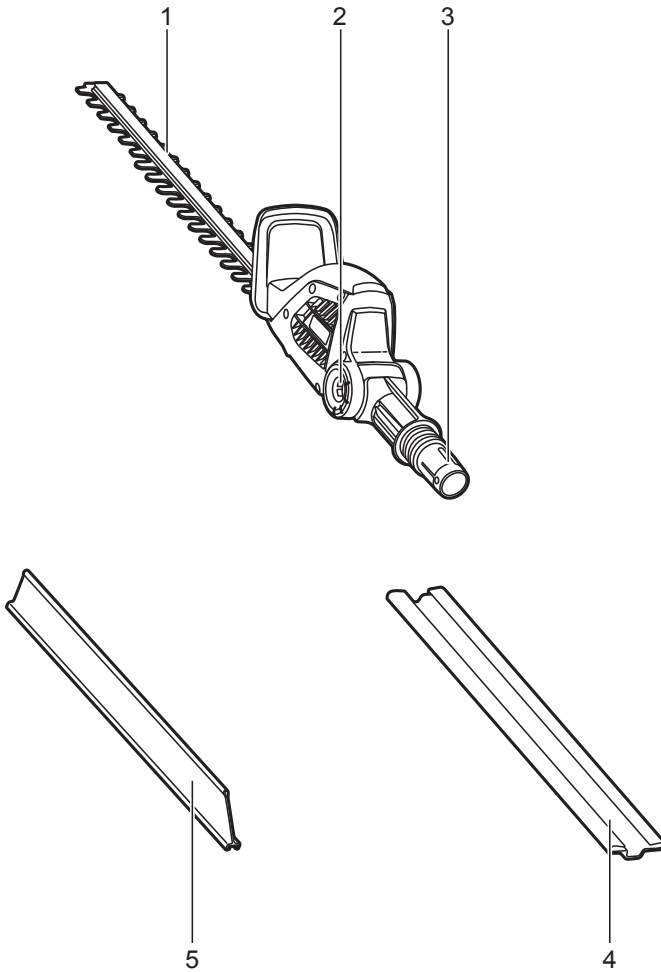
WHAT'S IN THE BOX

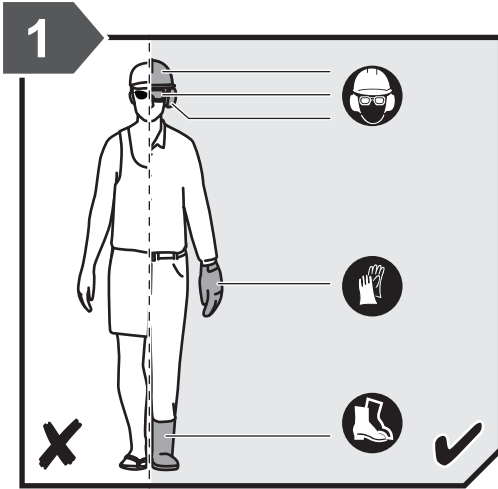




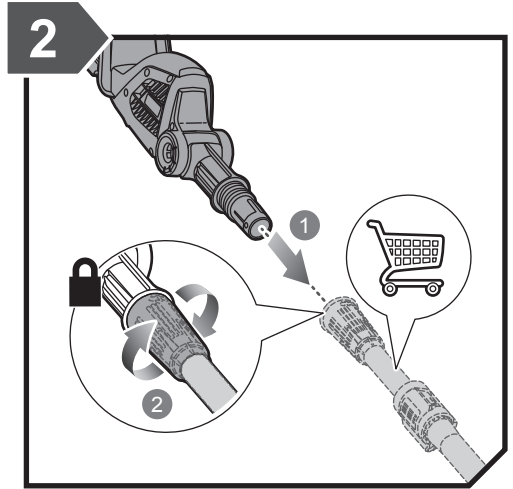
## KNOW YOUR PRODUCT

1. Blades/Bar
2. Pivoting button
3. Shaft coupling connector
4. Blade protector
5. HEDGESWEEP debris sweeper

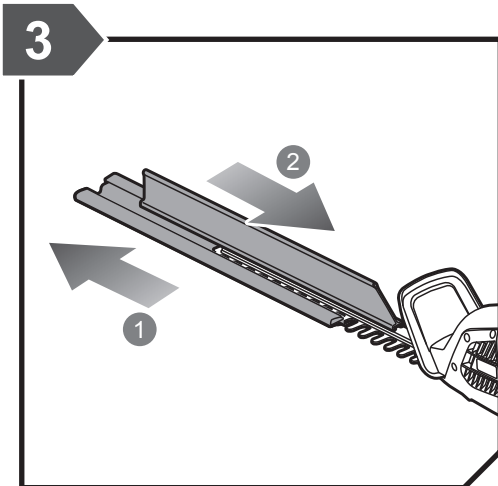




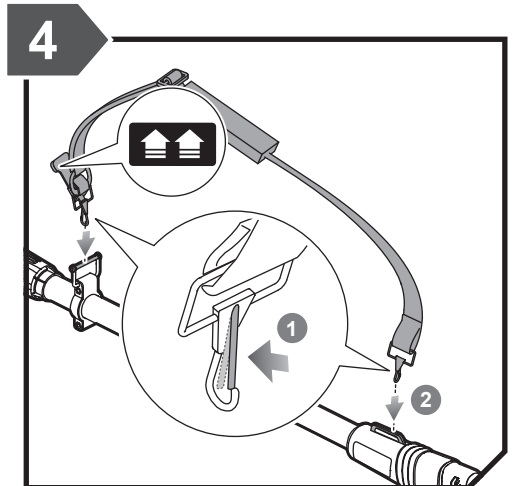
Always wear safety goggles or safety glasses with sideshields when operating the product. Failure to do so could result in objects being thrown into your eyes resulting in possible serious injury. When handling the blade assembly, wear non-slip, heavy-duty protective gloves. Wear non-skid, protective footwear that will protect your feet and improve your footing on slippery surfaces.



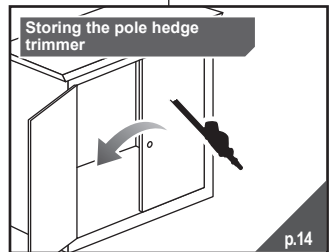
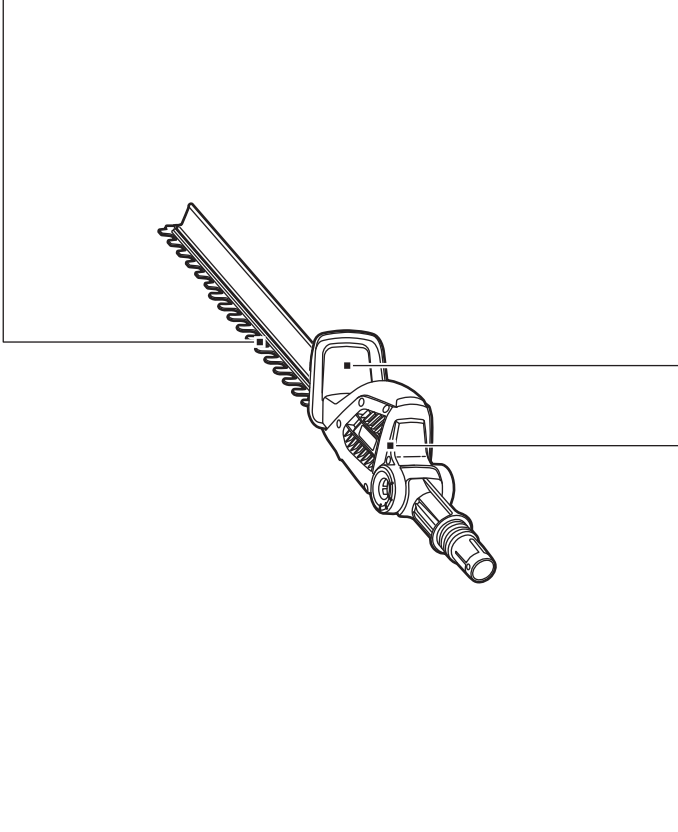
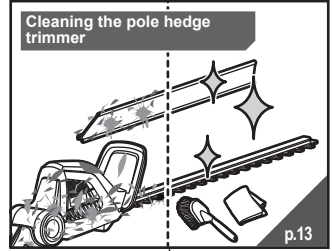
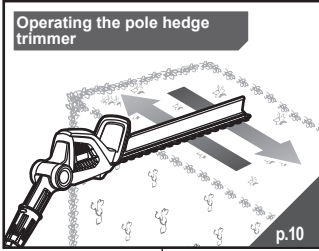
Connect the pole to the hedge trimmer attachment. Tighten the shaft coupling by turning it clockwise.

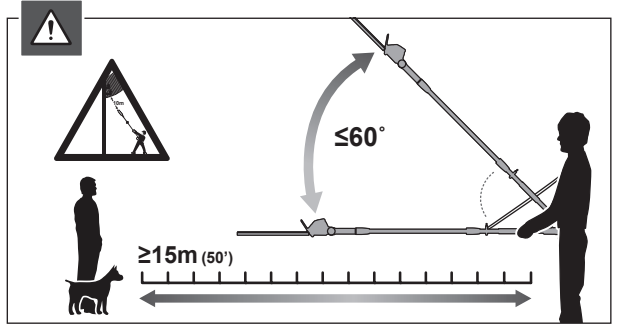
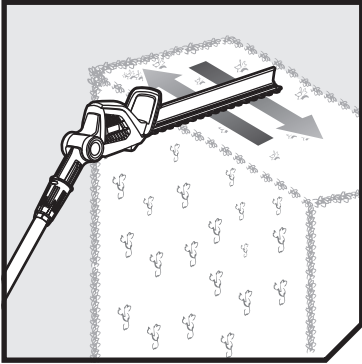


Remove the blade protector. Slide the HEDGESWEEP over the blade.



Attach the shoulder strap.





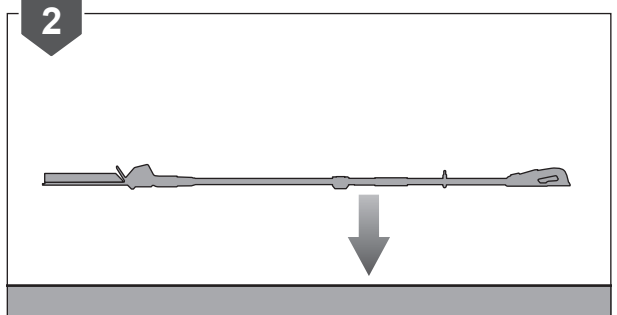
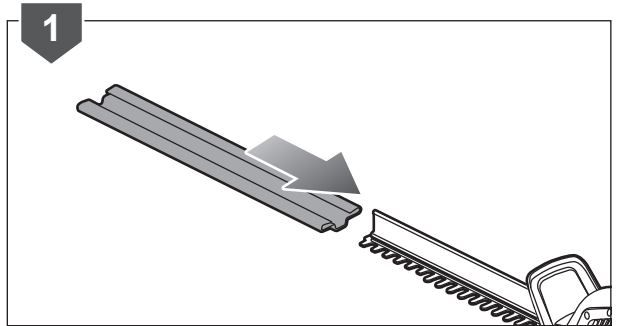
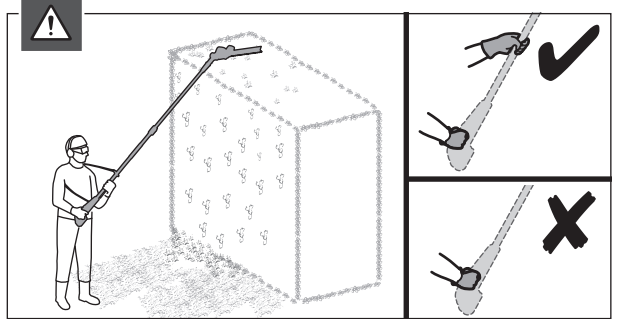
**OPERATING THE POLE HEDGE TRIMMER**

**CAUTION: DANGER!** Risk of electrocution! Do not operate within 10 m of overhead electrical lines.

Position the product at an angle of 60° or less, depending on the specific situation. Keep bystanders at least 15 m away.

**CAUTION:** Always use two hands to operate the pole hedge trimmer.

1. Cover the blade with the blade protector.
2. Lay the product on the ground.



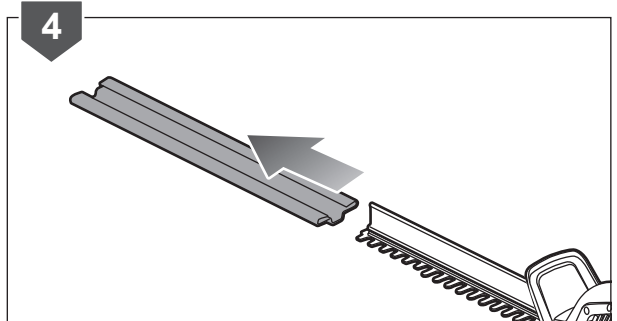
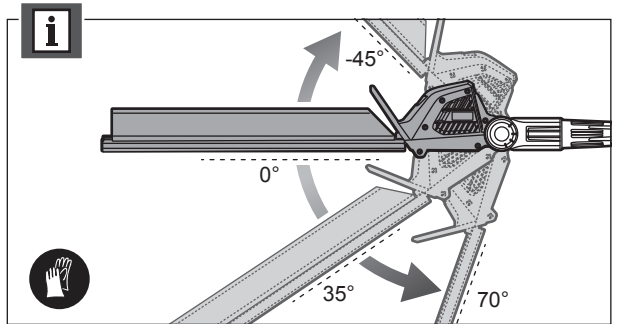
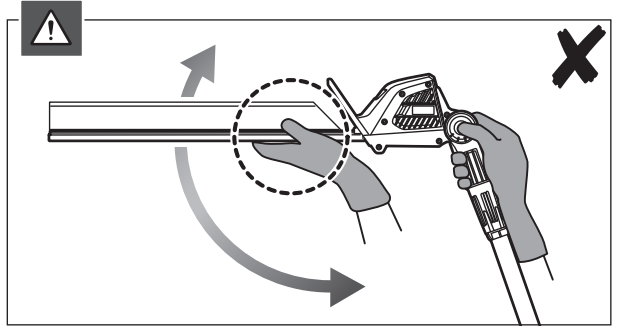
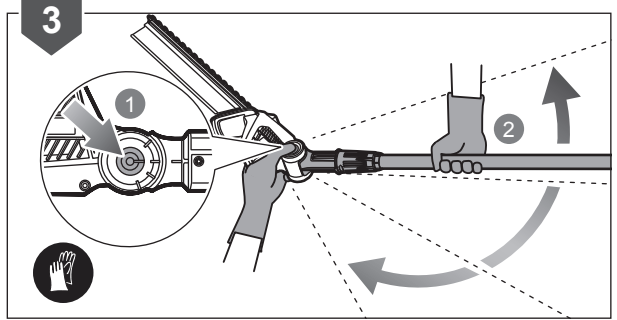
## OPERATION

3. Press the pivoting button and adjust the pole of the hedge trimmer to the required working angle.

**CAUTION:** Do not touch the hedge trimmer blade to adjust the working angle.

**NOTE:** The working angle of the pole hedge trimmer can be adjusted to  $-45^\circ$ ,  $35^\circ$ , and  $70^\circ$ .

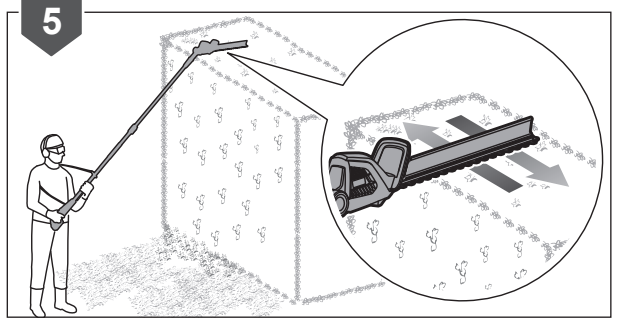
4. Remove the blade protector.

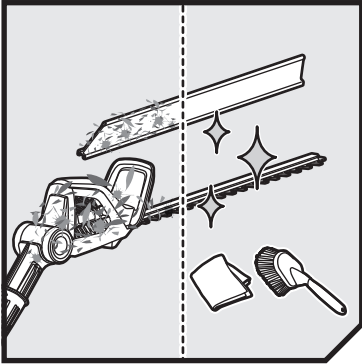


## OPERATION

5. Trim the hedge from left to right.

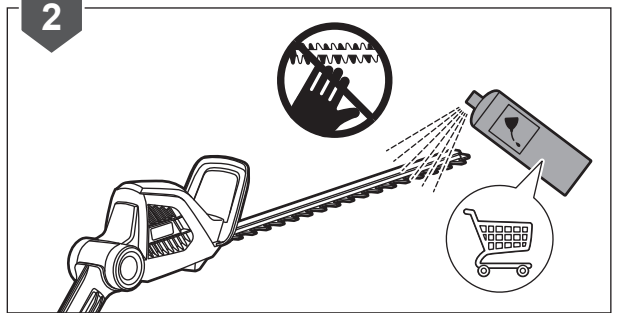
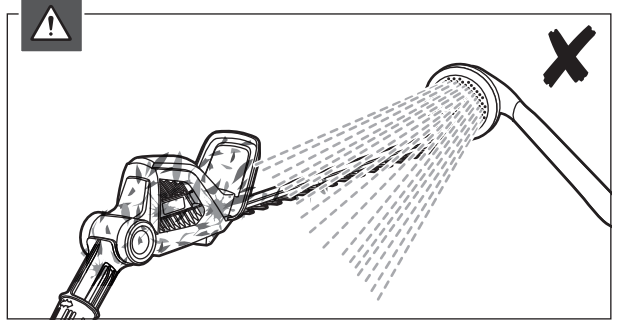
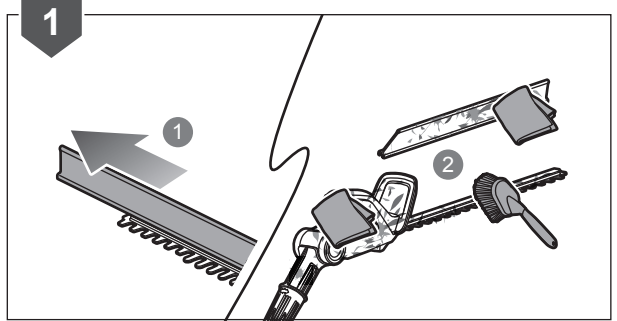
**NOTE:** Keep watch for falling debris and other materials.

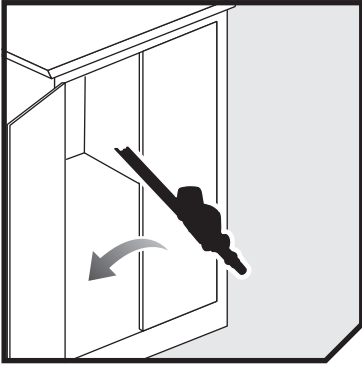




**CLEANING THE POLE HEDGE TRIMMER**

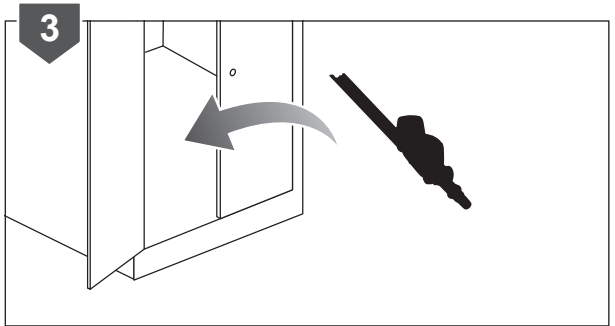
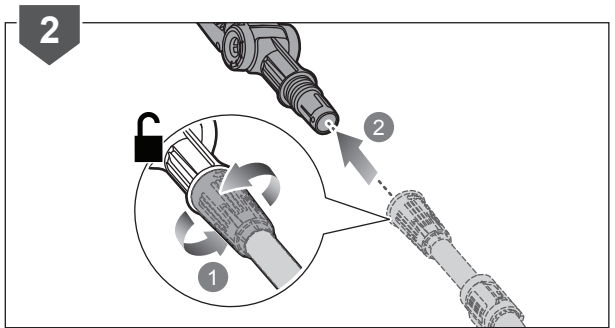
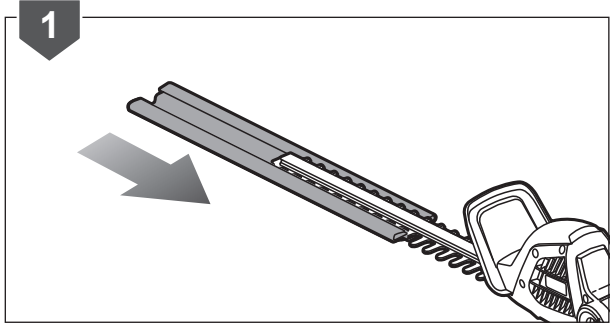
1. Remove the HEDGESWEEP. Clean the body and handles of the product with a soft, dry cloth, and a brush.
- WARNING:** Do not clean the blade with water.
2. Lubricate the blades lightly before and after use, with a plant-friendly lubricant.





**STORING THE POLE HEDGE TRIMMER**

1. Cover the blade with the blade protector.
2. Loosen the shaft coupling. Remove the pole from the hedge trimmer attachment.
3. Store the product in a cool, dry, and well-ventilated place that is inaccessible to children and well away from sources of ignition.





## PRODUCT SPECIFICATIONS

Cordless Pole Hedge Trimmer

Model OHT18

Only compatible with OHT1860S and OPP1850.

Usable cutting length 450 mm

Cutting capacity 18 mm

Below values are measured with OPP1850/OHT1860S telescopic pole handles

Rated voltage 18 V dc

No-load speed 1,350 min<sup>-1</sup>

Stroke rate at no load 2,700 spm

Maximum product working length 3.2 m

Weight (with harness and without battery) 4.2 kg

Vibration level with telescopic pole handle (in accordance with annex C of EN ISO 10517:2009+A1:2013)

With shaft extended

Front handle 0.8 m/s<sup>2</sup>

Rear handle 1.0 m/s<sup>2</sup>

Without shaft extended

Front handle 0.9 m/s<sup>2</sup>

Rear handle 0.7 m/s<sup>2</sup>

Uncertainty of measurement 1.5 m/s<sup>2</sup>

Noise emission level with telescopic pole handle (in accordance with annex D of EN ISO 10517:2009+A1:2013)

A-weighted sound pressure level at operator's position 78.7 dB(A)

Uncertainty of measurement 2.5 dB

A-weighted sound power level 93.6 dB(A)

Uncertainty of measurement 2.5 dB

## REPLACEMENT PARTS

HEDGESWEEP 526799003

Blade protector 526798003

## VIBRATION LEVEL

The declared vibration value has been measured with a standard test method and may be used to compare one tool with another.

The declared vibration value may be used in a preliminary assessment of exposure.

The vibration emission during actual use of power tool can differ from the declared total value depending on the ways in which the tool is used.

Identify safety measures to protect yourself based on an estimation of exposure in the actual conditions of use, taking account of all parts of the operating cycle such as the times when the tool is switched off and when it is running idle in addition to the trigger time.



*RYOBI is a trademark of Ryobi Limited,  
and is used under license.*

*HEDGESWEEP is a trademark of Techtronic Outdoor  
Products Technology Limited.*

Imported by:

**Techtronic Industries Australia Pty Ltd**  
31 Gilby Road, Mount Waverley, VIC 3149  
Melbourne, Australia

**Techtronic Industries N.Z. Limited**  
Unit C, 70 Business Parade South,  
Highbrook, Auckland 2013, New Zealand